

FR-F800

Inverter

Instruction Manual

FR-F820-00046(0.75K) to 04750(110K)(-E)

FR-F840-00023(0.75K) to 06830(315K)(-E)

FR-F842-07700(355K) to 12120(560K)(-E)



Instruction Manual
Inverter FR-F800
Art. no.: 292550

Version			Changes / Additions / Corrections	
A	--/----	pdp	First edition	
B	12/2015	akl - pdp/rw	Additions:	<ul style="list-style-type: none"> • Pr. 554, new setting values • Pr. 111, Pr. 1361 to Pr. 1381 (PID control enhanced functions) • Pr. 1018 "Monitor with sign selection" • MM-EFS (3000 r/min specification) • Speed detection signal (FB, FB2)
C	06/2017	akl - pdp/rw	Additions:	<ul style="list-style-type: none"> • FR-F800-E (Ethernet communication function built-in type)
			Changes:	<ul style="list-style-type: none"> • All connection diagrams appear with the control logic of the input terminal as source logic

Thank you for choosing this Mitsubishi Electric inverter.

This Instruction Manual provides instructions for advanced use of the FR-F800 series inverters. Incorrect handling might cause an unexpected fault. Before using the inverter, always read this Instruction Manual to use the equipment to its optimum.

Safety instructions

Do not attempt to install, operate, maintain or inspect the inverter until you have read through this Instruction Manual and appended documents carefully and can use the equipment correctly. Do not use the inverter until you have a full knowledge of the equipment, safety information and instructions.

Installation, operation, maintenance and inspection must be performed by qualified personnel. Here, qualified personnel means personnel who meets all the conditions below.

- A person who took a proper engineering training. Such training may be available at your local Mitsubishi Electric office. Contact your local sales office for schedules and locations.
- A person who can access operating manuals for the protective devices (e.g. light curtain) connected to the safety control system. A person who has read and familiarized himself/herself with the manuals.

In this Instruction Manual, the safety instruction levels are classified into "WARNING" and "CAUTION".



WARNING:

Assumes that incorrect handling may cause hazardous conditions, resulting in death or severe injury.



CAUTION:

Assumes that incorrect handling may cause hazardous conditions, resulting in medium or slight injury, or may cause physical damage only.

Note that even the CAUTION level may lead to a serious consequence according to conditions. Please follow strictly the instructions of both levels because they are important to personnel safety.

Electric Shock Prevention



WARNING:

- *While power is on or when the inverter is running, do not open the front cover. Otherwise you may get an electric shock.*
- *Do not run the inverter with the front cover removed. Otherwise, you may access the exposed high-voltage terminals or the charging part of the circuitry and get an electric shock.*
- *Even if power is off, do not remove the front cover except for wiring or periodic inspection. You may access the charged inverter circuits and get an electric shock.*
- *Before starting wiring or inspection, check to make sure that the operation panel indicator is off, wait for at least 10 minutes after the power supply has been switched off, and check that there are no residual voltage using a tester or the like. The capacitor is charged with high voltage for some time after power off and it is dangerous.*
- *This inverter must be earthed. Earthing must conform to the requirements of national and local safety regulations and electrical codes (JIS, NEC section 250, IEC 536 class 1 and other applicable standards). A neutral-point earthed power supply for 400V class inverter in compliance with EN standard must be used.*
- *Any person who is involved in the wiring or inspection of this equipment should be fully competent to do the work.*
- *Always install the inverter before wiring. Otherwise, you may get an electric shock or be injured.*
- *If your application requires by installation standards an RCD (residual current device) as up stream protection please select according to DIN VDE 0100-530 as following:
Single phase inverter type A or B
Three phase inverter only type B*
- *Perform setting dial and key operations with dry hands to prevent an electric shock. Otherwise you may get an electric shock.*
- *Do not subject the cables to scratches, excessive stress, heavy loads or pinching. Otherwise you may get an electric shock.*
- *Do not replace the cooling fan while power is on. It is dangerous to replace the cooling fan while power is on.*
- *Do not touch the printed circuit board or handle the cables with wet hands. You may get an electric shock.*
- *When measuring the main circuit capacitor capacity, the DC voltage is applied to the motor for 1s at powering OFF. Never touch the motor terminal, etc. right after powering OFF to prevent an electric shock.*
- *A PM motor is a synchronous motor with high-performance magnets embedded in the rotor. Motor terminals holds high-voltage while the motor is running even after the inverter power is turned OFF. Before wiring or inspection, the motor must be confirmed to be stopped. In an application, such as fan and blower, where the motor is driven by the load, a low-voltage manual motor starter must be connected at the inverter's output side, and wiring and inspection must be performed while the motor starter is open. Otherwise you may get an electric shock.*

Fire Prevention



CAUTION:

- **Mount the inverter to incombustible material. Install the inverter on a nonflammable wall without holes (so that nobody can touch the inverter heatsink on the rear side, etc.). Mounting it to or near combustible material can cause a fire.**
- **If the inverter has become faulty, switch off the inverter power. A continuous flow of large current could cause a fire.**
- **Do not connect a resistor directly to the DC terminals P/+, N/-. This could cause a fire and destroy the inverter. The surface temperature of braking resistors can far exceed 100 °C for brief periods. Make sure that there is adequate protection against accidental contact and a safe distance is maintained to other units and system parts.**
- **Be sure to perform daily and periodic inspections as specified in the Instruction Manual. If a product is used without any inspection, a burst, breakage, or a fire may occur.**

Injury Prevention



CAUTION:

- **Apply only the voltage specified in the instruction manual to each terminal. Otherwise, burst, damage, etc. may occur.**
- **Ensure that the cables are connected to the correct terminals. Otherwise, burst, damage, etc. may occur.**
- **Always make sure that polarity is correct to prevent damage, etc. Otherwise, burst, damage, etc. may occur.**
- **While power is on or for some time after power-off, do not touch the inverter as it is hot and you may get burnt.**

Additional Instructions

The following instructions must be also followed. If the product is handled incorrectly, it may cause unexpected fault, an injury, or an electric shock.

Transportation and installation



CAUTION:

- **Any person who is opening a package using a sharp object, such as a knife and cutter, must wear gloves to prevent injuries caused by the edge of the sharp object.**
- **When carrying products, use correct lifting gear to prevent injury.**
- **Do not stand or rest heavy objects on the product.**
- **Do not stack the inverter boxes higher than the number recommended.**
- **When carrying the inverter, do not hold it by the front cover or setting dial; it may fall off or fail.**
- **During installation, caution must be taken not to drop the inverter as doing so may cause injuries.**
- **Ensure that installation position and material can withstand the weight of the inverter. Install according to the information in the instruction manual.**
- **Do not install the product on a hot surface.**
- **Check the inverter mounting orientation is correct.**
- **The inverter must be installed on a strong surface securely with screws so that it will not drop.**
- **Do not install or operate the inverter if it is damaged or has parts missing. This can result in breakdowns.**
- **Prevent other conductive bodies such as screws and metal fragments or other flammable substance such as oil from entering the inverter.**
- **As the inverter is a precision instrument, do not drop or subject it to impact.**
- **If halogen-based materials (fluorine, chlorine, bromine, iodine, etc.) infiltrate into a Mitsubishi Electric product, the product will be damaged. Halogen-based materials are often included in fumigant, which is used to sterilize or disinfect wooden packages. When packaging, prevent residual fumigant components from being infiltrated into Mitsubishi Electric products, or use an alternative sterilization or disinfection method (heat disinfection, etc.) for packaging. Sterilization or disinfection of wooden package should also be performed before packaging the product.**
- **Use the inverter under the following environmental conditions. Otherwise, the inverter may be damaged.**

Operating Condition	FR-F800
Surrounding air temperature	LD rating: -10 °C to +50 °C (non-freezing) SLD rating: -10 °C to +40 °C (non-freezing)
Ambient humidity	With circuit board coating (conforming to IEC 60721-3-3 3C2/3S2): 95% RH or less (non-condensing), Without circuit board coating: 90 % RH or less (non-condensing)
Storage temperature	-20 °C to +65 °C ^①
Atmosphere	Indoors (free from corrosive gas, flammable gas, oil mist, dust and dirt)
Altitude	Maximum 1000 m above sea level for standard operation. After that derate by 3 % for every extra 500 m up to 2500 m (91 %).
Vibration	5.9 m/s ² or less ^② at 10 to 55 Hz (directions of X, Y, Z axes)

^① Temperature applicable for a short time, e.g. in transit.

^② 2.9 m/s² or less for the FR-F840-04320(185K) or higher.

Wiring



CAUTION:

- *Do not install assemblies or components (e. g. power factor correction capacitors) on the inverter output side, which are not approved from Mitsubishi Electric. These devices on the inverter output side may be overheated or burn out.*
- *The direction of rotation of the motor corresponds to the direction of rotation commands (STF/STR) only if the phase sequence (U, V, W) is maintained.*
- *PM motor terminals (U, V, W) hold high-voltage while the PM motor is running even after the power is turned OFF. Before wiring, the PM motor must be confirmed to be stopped. Otherwise you may get an electric shock.*
- *Never connect a PM motor to the commercial power supply. Applying the commercial power supply to input terminals (U,V, W) of a PM motor will burn the PM motor. The PM motor must be connected with the output terminals (U, V, W) of the inverter.*

Operation



WARNING:

- *When you have chosen the retry function, stay away from the equipment as it will restart suddenly after an alarm stop.*
- *Since pressing the STOP/RESET key may not stop output depending on the function setting status, provide a circuit and switch separately to make an emergency stop (power off, mechanical brake operation for emergency stop, etc).*
- *Make sure that the start signal is off before resetting the inverter alarm. A failure to do so may restart the motor suddenly.*
- *Do not use a PM motor for an application where the PM motor is driven by its load and runs at a speed higher than the maximum motor speed.*
- *The inverter can be started and stopped via the serial port communications link or the field bus. However, please note that depending on the settings of the communications parameters it may not be possible to stop the system via these connections if there is an error in the communications system or the data line. In configurations like this it is thus essential to install additional safety hardware that makes it possible to stop the system in an emergency (e.g. controller inhibit via control signal, external motor contactor etc). Clear and unambiguous warnings about this must be posted on site for the operating and service staff.*
- *Use this inverter only with three-phase induction motors or with a PM motor. Connection of any other electrical equipment to the inverter output may damage the inverter as well as the equipment.*
- *Do not modify the equipment.*
- *Do not perform parts removal which is not instructed in this manual. Doing so may lead to fault or damage of the inverter.*

**CAUTION:**

- *The electronic thermal relay function does not guarantee protection of the motor from overheating. It is recommended to install both an external thermal and PTC thermistor for overheat protection.*
- *Do not use a magnetic contactor on the inverter input for frequent starting/stopping of the inverter. Otherwise, the life of the inverter decreases.*
- *Use a noise filter to reduce the effect of electromagnetic interference and follow the accepted EMC procedures for proper installation of frequency inverters. Otherwise nearby electronic equipment may be affected.*
- *Take appropriate measures regarding harmonics. Otherwise this can endanger compensation systems or overload generators.*
- *When driving a 400 V class motor by the inverter, the motor must be an insulation-enhanced motor or measures must be taken to suppress surge voltage. Surge voltage attributable to the wiring constants may occur at the motor terminals, deteriorating the insulation of the motor.*
- *Use a motor designed for inverter operation. (The stress for motor windings is bigger than in line power supply).*
- *When parameter clear or all clear is performed, set again the required parameters before starting operations. Each parameter returns to the initial value.*
- *The inverter can be easily set for high-speed operation. Before changing its setting, fully examine the performances of the motor and machine.*
- *The DC braking function of the frequency inverter is not designed to continuously hold a load. Use an electro-mechanical holding brake on the motor for this purpose.*
- *Before running an inverter which had been stored for a long period, always perform inspection and test operation.*
- *For prevention of damage due to static electricity, touch nearby metal before touching this product to eliminate static electricity from your body.*
- *Only one PM motor can be connected to an inverter.*
- *A PM motor must be used under PM motor control. When operating with PM motor control, a synchronous motor, induction motor or synchronous induction motor may only be used when it is a PM motor.*
- *Do not connect a PM motor in the induction motor control settings (initial settings). Do not use an induction motor under the PM motor control settings. It will cause a failure.*
- *In the system with a PM motor, the inverter power must be turned ON before closing the contacts of the contactor at the output side.*
- *When the emergency drive operation is performed, the operation is continued or the retry is repeated even when a fault occurs, which may damage or burn the inverter and motor. Before restarting the normal operation after using the emergency drive function, make sure that the inverter and motor have no fault.*
- *In order to protect the inverter and the system against unauthorized access by external systems via network, take security measures including firewall settings.*
- *Depending on the network environment, the inverter may not operate as intended due to delays or disconnection in communication. Carefully consider the conditions and safety for the inverter on site.*

Test operation and adjustment



CAUTION:

- *Before starting operation, confirm and adjust the parameters. A failure to do so may cause some machines to make unexpected motions.*

Emergency stop



CAUTION:

- *Provide a safety backup such as an emergency brake which will prevent the machine and equipment from hazardous conditions if the inverter fails.*
- *When the breaker on the inverter primary side trips, check for the wiring fault (short circuit), damage to internal parts of the inverter, etc. Identify the cause of the trip, then remove the cause and power on the breaker.*
- *When the protective function is activated (i. e. the frequency inverter switches off with an error message), take the corresponding corrective action as described in the inverter manual, then reset the inverter, and resume operation.*

Maintenance, inspection and parts replacement



CAUTION:

- *Do not carry out a megger (insulation resistance) test on the control circuit of the inverter. It will cause a failure.*

Disposing the inverter



CAUTION:

- *Treat as industrial waste.*

General instructions

Many of the diagrams and drawings in instruction manuals show the inverter without a cover, or partially open. Never run the inverter in this status. Always replace the cover and follow instruction manuals when operating the inverter. For more details on the PM motor, refer to the Instruction Manual of the PM motor.

For details of the inverter FR-F802 (Separated Converter Type) and the corresponding converter unit FR-CC2 refer to the respective Instruction Manuals (refer to page 1-8).

Symbols used in the manual

Use of instructions

Instructions concerning important information are marked separately and are displayed as follows:

NOTE

| Text of instruction

Use of examples

Examples are marked separately and are displayed as follows:

Example ▾

Example text



Use of numbering in the figures

Numbering within the figures is displayed by white numbers within black circles and is explained in a table following it using the same number, e.g.:

① ② ③ ④

Use of handling instructions

Handling instructions are steps that must be carried out in their exact sequence during startup, operation, maintenance and similar operations.

They are numbered consecutively (black numbers in white circles):

① Text.

② Text.

③ Text.

Use of footnotes in tables

Instructions in tables are explained in footnotes underneath the tables (in superscript). There is a footnote character at the appropriate position in the table (in superscript).

If there are several footnotes for one table then these are numbered consecutively underneath the table (black numbers in white circle, in superscript):

① Text

② Text

③ Text

Contents

1	Introduction	
1.1	General remarks.....	1-1
1.2	Product checking and accessories	1-3
1.2.1	Inverter model	1-3
1.2.2	Accessory	1-4
1.2.3	How to read the SERIAL number	1-4
1.3	Component names.....	1-5
1.4	Operation steps	1-7
1.5	Related manuals	1-8
2	Installation and wiring	
2.1	Peripheral devices.....	2-1
2.1.1	Inverter and peripheral devices	2-1
2.1.2	Peripheral devices.....	2-4
2.2	Removal and reinstallation of the operation panel or the front covers.....	2-12
2.3	Installation of the inverter and enclosure design	2-17
2.3.1	Inverter installation environment	2-17
2.3.2	Cooling system types for inverter enclosure	2-20
2.3.3	Inverter installation.....	2-21
2.3.4	Panel through attachment procedure.....	2-23
2.4	Terminal connection diagrams	2-25
2.4.1	CA type	2-25
2.4.2	FM type	2-27
2.4.3	CA type (FR-F800-E)	2-29
2.4.4	FM type (FR-F800-E)	2-31
2.5	Main circuit terminals	2-33
2.5.1	Details on the main circuit terminals	2-33
2.5.2	Terminal layout of the main circuit terminals, wiring of power supply and the motor.....	2-34
2.5.3	Applicable cables and the wiring length.....	2-37
2.5.4	Earthing (grounding) precautions.....	2-44
2.6	Control circuit.....	2-46
2.6.1	Details on the control circuit terminals	2-46
2.6.2	Control logic (sink/source) change	2-50
2.6.3	Wiring of control circuit.....	2-53
2.6.4	Wiring precautions	2-57
2.6.5	When using separate power supplies for the control circuit and the main circuit	2-58
2.6.6	When supplying 24 V external power to the control circuit.....	2-61
2.6.7	Safety stop function	2-64

2.7	Communication connectors and terminals	2-67
2.7.1	PU connector	2-67
2.7.2	USB connector	2-68
2.7.3	RS-485 terminal block (not for FR-F800-E)	2-70
2.8	Connection of stand-alone option units	2-71
2.8.1	Connection of the brake unit (FR-BU2)	2-71
2.8.2	Connection of the brake unit (FR-BU)	2-74
2.8.3	Connection of the brake unit (BU type)	2-75
2.8.4	Connection of the high power factor converter (FR-HC2)	2-76
2.8.5	Connection of the power regeneration common converter (FR-CV)	2-78
2.8.6	Connection of the power regeneration converter (MT-RC)	2-79
2.8.7	Connection of the DC reactor (FR-HEL)	2-80
2.8.8	Installing a communication option (FR-F800-E)	2-81
2.9	System configuration for Ethernet communication (FR-F800-E)	2-82
2.9.1	Ethernet communication overview	2-82
2.9.2	Ethernet connector	2-83
2.9.3	Removal of the Ethernet board	2-85

3 Precautions for use of the inverter

3.1	Electro-magnetic interference (EMI) and leakage currents	3-1
3.1.1	Leakage currents and countermeasures	3-1
3.1.2	Countermeasures against inverter-generated EMI	3-6
3.1.3	Built-in EMC filter	3-9
3.2	Power supply harmonics	3-11
3.2.1	Power supply harmonics	3-11
3.2.2	Harmonic suppression guidelines	3-12
3.3	Installation of a reactor	3-16
3.4	Power-OFF and magnetic contactor (MC)	3-17
3.5	Countermeasures against deterioration of the 400 V class motor insulation	3-19
3.6	Checklist before starting operation	3-20
3.7	Failsafe system which uses the inverter	3-23

4 Basic operation

4.1	Operation panel (FR-DU08)	4-1
4.1.1	Components of the operation panel (FR-DU08)	4-1
4.1.2	Basic operation of the operation panel	4-3
4.1.3	Correspondences between digital and actual characters	4-5
4.1.4	Changing the parameter setting value	4-6
4.2	Monitoring the inverter status	4-7
4.2.1	Monitoring of output current and output voltage	4-7
4.2.2	First monitored item	4-7
4.2.3	Displaying the set frequency	4-8
4.3	Easy operation mode setting (easy setting mode)	4-9
4.4	Frequently-used parameters (simple mode parameters)	4-11
4.4.1	Simple mode parameter list	4-11

4.5	Basic operation procedure (PU operation)	4-13
4.5.1	Operating at the set frequency (example: operating at 30 Hz)	4-13
4.5.2	Using the setting dial like a potentiometer to perform operation	4-15
4.5.3	Setting the frequency by switches (multi-speed setting)	4-16
4.5.4	Setting the frequency with analog signals (voltage input)	4-18
4.5.5	Using an analog signal (current input) to give a frequency command	4-20
4.6	Basic operation procedure (External operation)	4-22
4.6.1	Using the frequency set by the operation panel	4-22
4.6.2	Setting the frequency by switches (multi-speed setting) (Pr. 4 to Pr. 6)	4-24
4.6.3	Setting the frequency with analog signals (voltage input)	4-26
4.6.4	Changing the frequency (60 Hz, initial value) at the maximum voltage input (5 V, initial value)	4-27
4.6.5	Using an analog signal (current input) to give a frequency command	4-28
4.6.6	Changing the frequency (60 Hz, initial value) at the maximum current input (at 20 mA, initial value)	4-29
4.7	Basic operation procedure (JOG operation)	4-30
4.7.1	Performing JOG operation using external signals	4-30
4.7.2	JOG operation from the operation panel	4-31
5	Parameters	
5.1	Parameter List	5-2
5.1.1	Parameter list (by number)	5-2
5.1.2	Group parameter display	5-26
5.1.3	Parameter list (by function group)	5-28
5.2	Control method	5-39
5.2.1	Changing the control method	5-41
5.2.2	Selecting the Advanced magnetic flux vector control	5-45
5.2.3	Selecting the PM motor control	5-48
5.3	Speed control under PM motor control	5-53
5.3.1	Setting procedure of PM motor control	5-54
5.3.2	Performing high-accuracy, fast-response control (gain adjustment for PM motor control)	5-55
5.3.3	Troubleshooting in the speed control	5-58
5.3.4	Torque detection filter	5-59
5.4	(E) Environment setting parameters	5-60
5.4.1	Real time clock function	5-61
5.4.2	Reset selection/disconnected PU detection/PU stop selection	5-63
5.4.3	PU display language selection	5-67
5.4.4	Buzzer control	5-67
5.4.5	PU contrast adjustment	5-67
5.4.6	Display-off mode	5-68
5.4.7	Resetting USB host errors	5-68
5.4.8	Setting dial potentiometer mode/key lock operation selection	5-69
5.4.9	Frequency change increment amount setting	5-70
5.4.10	Multiple rating setting	5-71
5.4.11	Using the power supply exceeding 480 V	5-72
5.4.12	Parameter write selection	5-72
5.4.13	Password function	5-76
5.4.14	Free parameter	5-80

5.4.15	Setting multiple parameters as a batch.....	5-80
5.4.16	Extended parameter display and user group function	5-85
5.4.17	PWM carrier frequency and Soft-PWM control	5-88
5.4.18	Inverter parts life display.....	5-91
5.4.19	Maintenance timer alarm	5-95
5.4.20	Current average value monitor signal	5-97
5.5	(F) Setting of acceleration/deceleration time and acceleration/deceleration pattern ...	5-101
5.5.1	Setting the acceleration and deceleration time	5-102
5.5.2	Acceleration/deceleration pattern	5-107
5.5.3	Remote setting function.....	5-111
5.5.4	Starting frequency and start-time hold function	5-115
5.5.5	Minimum motor speed frequency	5-117
5.6	(D) Operation command and frequency command	5-118
5.6.1	Operation mode selection	5-119
5.6.2	Startup in Network operation mode at power-ON	5-128
5.6.3	Start command source and frequency command source during communication operation.....	5-130
5.6.4	Reverse rotation prevention selection.....	5-139
5.6.5	Frequency setting via pulse train input.....	5-140
5.6.6	JOG operation.....	5-144
5.6.7	Operation by multi-speed setting	5-146
5.7	(H) Protective function parameter	5-149
5.7.1	Motor overheat protection (electronic thermal O/L relay)	5-150
5.7.2	Cooling fan operation selection.....	5-160
5.7.3	Earth (ground) fault detection at start	5-161
5.7.4	Varying the activation level of the undervoltage protective function	5-161
5.7.5	Initiating a protective function.....	5-162
5.7.6	I/O phase loss protection selection.....	5-163
5.7.7	Retry function	5-164
5.7.8	Emergency drive (Fire mode)	5-167
5.7.9	Limiting the output frequency (maximum/minimum frequency)	5-176
5.7.10	Avoiding the mechanical resonance points (frequency jump)	5-178
5.7.11	Stall prevention operation	5-180
5.7.12	Load characteristics fault detection	5-189
5.7.13	Motor overspeeding detection.....	5-194
5.8	(M) Monitor display and monitor output signal.....	5-195
5.8.1	Speed display and rotations per minute setting	5-196
5.8.2	Monitor indicator selection using operation panel or via communication	5-198
5.8.3	Monitor display selection for terminals FM/CA and AM	5-211
5.8.4	Adjusting terminals FM/CA and AM	5-218
5.8.5	Energy saving monitor	5-224
5.8.6	Output terminal function selection.....	5-231
5.8.7	Output frequency detection	5-240
5.8.8	Output current detection function	5-244
5.8.9	Output torque detection	5-246
5.8.10	Remote output function	5-247
5.8.11	Analog remote output function.....	5-249
5.8.12	Fault code output selection.....	5-252
5.8.13	Pulse train output of output power	5-253

5.8.14	Detection of control circuit temperature	5-254
5.9	(T) Multi-Function Input Terminal Parameters	5-255
5.9.1	Analog input selection	5-255
5.9.2	Analog input terminal (terminal 1, 4) function assignment	5-260
5.9.3	Analog input compensation	5-261
5.9.4	Analog input responsiveness and noise elimination	5-264
5.9.5	Frequency setting voltage (current) bias and gain	5-266
5.9.6	Bias and gain for voltage (current) setting of stall prevention operation level	5-273
5.9.7	Checking of current input on analog input terminal	5-280
5.9.8	Input terminal function selection	5-285
5.9.9	Inverter output shutoff signal	5-289
5.9.10	Selecting operation condition of the second function selection signal (RT)	5-291
5.9.11	Start signal operation selection	5-293
5.10	(C) Motor constant parameters	5-297
5.10.1	Applied motor	5-297
5.10.2	Offline auto tuning	5-303
5.10.3	Offline auto tuning for a PM motor (motor constants tuning)	5-316
5.10.4	Online auto tuning	5-327
5.11	(A) Application parameters	5-332
5.11.1	Electronic bypass function	5-333
5.11.2	Self power management	5-342
5.11.3	Traverse function	5-346
5.11.4	Cleaning function	5-348
5.11.5	PID control	5-353
5.11.6	PID gain tuning	5-373
5.11.7	Changing the display increment of numerical values used in PID control	5-381
5.11.8	PID pre-charge function	5-385
5.11.9	Multi-pump function (Advanced PID function)	5-392
5.11.10	PID control enhanced functions	5-404
5.11.11	Automatic restart after instantaneous power failure/ flying start with an induction motor	5-415
5.11.12	Automatic restart after instantaneous power failure/ flying start with an IPM motor	5-423
5.11.13	Offline auto tuning for a frequency search	5-426
5.11.14	Power failure time deceleration-to-stop function	5-432
5.11.15	PLC function	5-439
5.11.16	Trace function	5-443
5.12	(N) Operation via communication and its settings	5-452
5.12.1	Wiring and configuration of PU connector	5-453
5.12.2	Wiring and configuration of RS-485 terminals	5-455
5.12.3	Initial setting of operation via communication	5-459
5.12.4	Initial settings and specifications of RS-485 communication	5-467
5.12.5	Mitsubishi inverter protocol (computer link communication)	5-469
5.12.6	MODBUS® RTU communication specification	5-488
5.12.7	BACnet MS/TP protocol	5-506
5.12.8	Initial settings and specifications of Ethernet communication (FR-F800-E)	5-522
5.12.9	MELSOFT / FA product connection	5-530
5.12.10	USB device communication	5-531
5.12.11	Automatic connection with GOT	5-532

- 5.13 (G) Control parameters5-534
 - 5.13.1 Manual torque boost5-535
 - 5.13.2 Base frequency, voltage5-537
 - 5.13.3 Load pattern selection5-539
 - 5.13.4 Energy saving control5-541
 - 5.13.5 Adjustable 5 points V/F5-542
 - 5.13.6 SF-PR slip amount adjustment mode5-544
 - 5.13.7 DC injection brake.....5-545
 - 5.13.8 Output stop function5-548
 - 5.13.9 Stop selection5-550
 - 5.13.10 Regenerative brake selection and DC feeding mode5-552
 - 5.13.11 Regeneration avoidance function5-560
 - 5.13.12 Increased magnetic excitation deceleration5-564
 - 5.13.13 Slip compensation5-566
 - 5.13.14 Speed smoothing control5-567
- 5.14 Parameter clear / all parameter clear5-568
- 5.15 Copying and verifying parameters on the operation panel.....5-570
 - 5.15.1 Parameter copy5-571
 - 5.15.2 Parameter verification5-572
- 5.16 Copying and verifying parameters using USB memory.....5-573
- 5.17 Checking parameters changed from their initial values (Initial value change list).....5-577
- 5.18 Ethernet communication (FR-F800-E)5-578
 - 5.18.1 SLMP5-578
 - 5.18.2 Modbus®/TCP5-593
 - 5.18.3 CC-Link IE Field Network Basic (FR-F800-E)5-610
 - 5.18.4 Programming examples5-625
 - 5.18.5 Instructions5-634
- 5.19 Inverter-to-inverter link function (FR-F800-E).....5-635

6	Protective functions	
6.1	Inverter fault and alarm indications	6-1
6.2	Reset method for the protective functions	6-2
6.3	Check and clear of the faults history	6-3
6.3.1	Check for the faults history	6-3
6.3.2	Faults history clearing procedure	6-4
6.4	The list of fault displays	6-5
6.5	Causes and corrective actions	6-9
6.5.1	Error message	6-9
6.5.2	Warning	6-13
6.5.3	Alarm	6-17
6.5.4	Fault	6-18
6.5.5	Other messages	6-32
6.6	Check first when you have a trouble	6-33
6.6.1	Motor does not start	6-33
6.6.2	Motor or machine is making abnormal acoustic noise	6-36
6.6.3	Inverter generates abnormal noise	6-37
6.6.4	Motor generates heat abnormally	6-37
6.6.5	Motor rotates in the opposite direction	6-37
6.6.6	Speed greatly differs from the setting	6-38
6.6.7	Acceleration/deceleration is not smooth	6-38
6.6.8	Speed varies during operation	6-39
6.6.9	Operation mode is not changed properly	6-40
6.6.10	Operation panel (FR-DU08) display is not operating	6-40
6.6.11	Motor current is too large	6-40
6.6.12	Speed does not accelerate	6-41
6.6.13	Unable to write parameter setting	6-42
6.6.14	Power lamp is not lit	6-42

7	Precautions for maintenance and inspection	
7.1	Inspection item	7-1
7.1.1	Daily inspection	7-1
7.1.2	Periodic inspection	7-1
7.1.3	Daily and periodic inspection	7-2
7.1.4	Checking the inverter and converter modules	7-4
7.1.5	Cleaning	7-5
7.1.6	Replacement of parts	7-5
7.1.7	Inverter replacement	7-11
7.2	Measurement of main circuit voltages, currents and powers	7-12
7.2.1	Measurement of powers	7-15
7.2.2	Measurement of voltages and use of PT	7-16
7.2.3	Measurement of currents	7-17
7.2.4	Use of CT and transducer	7-18
7.2.5	Measurement of inverter input power factor	7-18
7.2.6	Measurement of converter output voltage (across terminals P and N)	7-18
7.2.7	Measurement of inverter output frequency	7-18
7.2.8	Insulation resistance test using megger	7-19
7.2.9	Pressure test	7-19
8	Specifications	
8.1	Inverter rating	8-1
8.1.1	200 V class	8-1
8.1.2	400 V class	8-2
8.2	Motor rating	8-4
8.2.1	Premium high-efficiency IPM motor [MM-EFS (1500 r/min specification)]	8-4
8.2.2	Premium high-efficiency IPM motor [MM-EFS (3000 r/min specification)]	8-6
8.2.3	Premium high-efficiency IPM motor [MM-THE4 (1500 r/min specification)]	8-8
8.3	Common specifications	8-10
8.4	Outline dimension drawings	8-12
8.4.1	Inverter outline dimension drawings	8-12
8.4.2	Dedicated motor outline dimension drawings	8-21
A	Appendix	
A.1	For customers replacing the conventional model with this inverter	A-1
A.1.1	Replacement of the FR-F700(P) series	A-1
A.1.2	Replacement of the FR-F500(L) series	A-2
A.2	Specification comparison between PM motor control and induction motor control	A-3
A.3	Parameters (functions) and instruction codes under different control methods	A-5
A.4	Ethernet communication parameters (functions) and instruction codes under different control methods	A-23
A.5	For customers using HMS network options	A-25
A.5.1	List of inverter monitored items / command items	A-25
A.6	EC Declarations of Conformity	A-28
A.6.1	FR-F820/FR-F840/FR-F842 series	A-28

1 Introduction

1.1 General remarks

Abbreviations

DU	Operation panel (FR-DU08)
Operation panel	Operation panel (FR-DU08) and LCD operation panel (FR-LU08)
Parameter unit	Parameter unit (FR-PU07)
PU	Operation panel and parameter unit
Inverter	Mitsubishi inverter FR-F800 series
FR-F800-E	FR-F800 series inverter with built-in Ethernet communication function
Ethernet board	Ethernet communication board (FR-A8ETH)
Pr.	Parameter number (Number assigned to function)
PU operation	Operation using the PU (operation panel/parameter unit)
External operation	Operation using the control circuit signals
Combined operation	Combined operation using the PU (operation panel/ parameter unit) and External operation
SF-JR	Mitsubishi standard motor
SF-HRCA	Mitsubishi constant-torque motor
MM-EFS/MM-THE4	Mitsubishi IPM motor
MM-EFS (1500 r/min specification) ...	MM-EFS motor with a rated speed of 1500 r/min
MM-EFS (3000 r/min specification) ...	MM-EFS motor with a rated speed of 3000 r/min
SLMP	Seamless Message Protocol
iQSS	Mitsubishi iQ-Sensor-Solution
TCP/IP	Transmission Control Protocol/Internet Protocol
UDP/IP	User Datagram Protocol/Internet Protocol

Trademarks

- Microsoft and Visual C++ are registered trademarks of Microsoft Corporation in the United States and other countries.
- MODBUS® is a registered trademark of SCHNEIDER ELECTRIC USA, INC., and Ethernet® is a registered trademark of Fuji Xerox Corporation.
- BACnet® is a registered trademark of the ASHRAE (American Society of Heating, Refrigerating and Air-Conditioning Engineers).
- Other company and product names herein are the trademarks and registered trademarks of their respective owners.

Notes on descriptions in this Instruction Manual

Connection diagrams in this Instruction Manual appear with the control logic of the input terminal as source logic, unless otherwise specified. (For the control logic, refer to page 2-50.)

Harmonic Suppression Guidelines

All the models of the inverters used by specific consumers are covered by "the Harmonic Suppression Guidelines for Consumers Who Receive High Voltage or Special High Voltage".
(For details, refer to page 3-12.)

1.2 Product checking and accessories

Unpack the product and check the capacity plate and the rating plate of the inverter to ensure that the model agrees with the order and the product is intact.

1.2.1 Inverter model

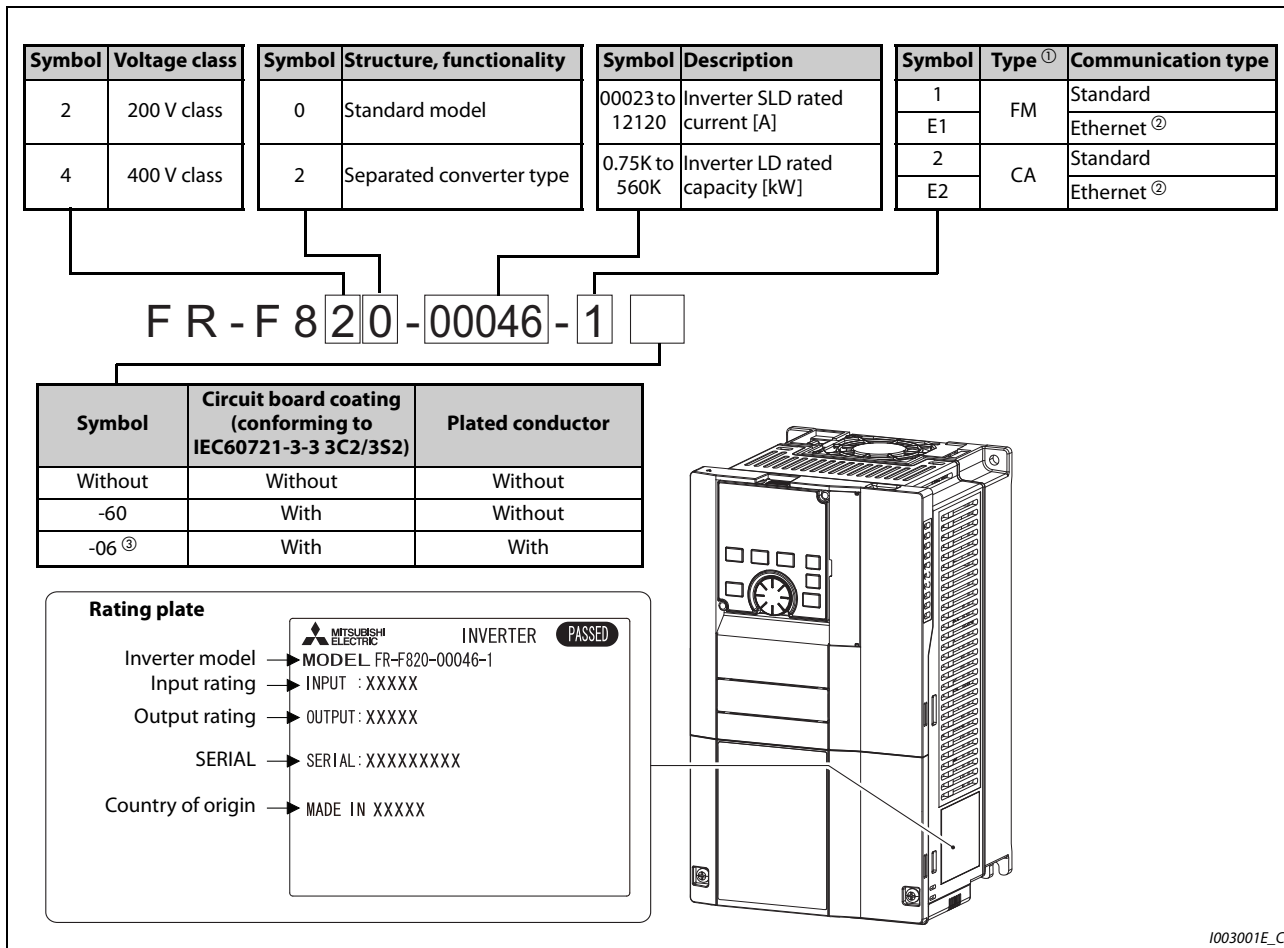


Fig. 1-1: Inverter model FR-F800

① Specification differs by the type. Major differences are shown in the table below.

Type	Monitor output	Initial setting				
		Built-in EMC filter	Control logic	Rated frequency	Pr. 19 "Base frequency voltage"	Pr. 570 "Multiple rating setting"
FM (terminal FM equipped model)	Terminal FM (pulse train output) Terminal AM (analog voltage output (0 to ±10 V DC))	OFF	Sink logic	60 Hz	9999 (same as the power supply voltage)	1 (LD rating)
CA (terminal CA equipped model)	Terminal CA (analog current output (0 to 20 mA DC)) Terminal AM (analog voltage output (0 to ±10 V DC))	ON	Source logic	50 Hz	8888 (95% of the power supply voltage)	0 (SLD rating)

Tab. 1-1: Differences between the types

② Inverter equipped with a built-in Ethernet board (FR-A8ETH)

③ Applicable for the FR-F820-00340(7.5K) or higher, and the FR-F840-00170(7.5K) or higher.

NOTES

The rating plate shows the inverter rated current in SLD operation (Super Light Duty). The overload current rating at SLD is 110 % of the rated current for 60 s and 120 % for 3 s at surrounding air temperature of max. 40 °C.

The inverter model name used in this Instruction Manual consists of the inverter model, and the applicable motor capacity in brackets specified in [kW], e. g. FR-F820-00046(0.75K). This approach helps for better understanding and for choosing the right motor. For further specification details like capacity, current or overload current rating refer to page 8-1.

For selecting the right frequency inverter you should know details of your application and especially the load characteristic.

1.2.2 Accessory

Fan cover fixing screws

These screws are necessary for compliance with the EU Directives. (Refer to the Installation Guideline.)

Capacity	Screw size (mm)	Quantity
FR-F820-00105(2.2K) to FR-F820-00250(5.5K) FR-F840-00083(3.7K), FR-F840-00126(5.5K)	M3 × 35	1
FR-F820-00340(7.5K), FR-F820-00490(11K) FR-F840-00170(7.5K), FR-F840-00250(11K)	M3 × 35	2
FR-F820-00630(15K) to FR-F820-00930(22K) FR-F840-00310(15K) to FR-F840-00620(30K)	M4 × 40	2

Tab. 1-2: Fan cover fixing screws

Eyebolt for hanging the inverter

Capacity	Eyebolt size	Quantity
FR-F840-04320(185K) to FR-F840-06830(315K)	M12	2



Tab. 1-3: Eyebolts for hanging the inverter

1.2.3 How to read the SERIAL number

Rating plate example

□	○	○	○○○○○○
Symbol	Year	Month	Control number
SERIAL			

The SERIAL consists of one symbol, two characters indicating the production year and month, and six characters indicating the control number. The last digit of the production year is indicated as the Year, and the Month is indicated by 1 to 9, X (October), Y (November), or Z (December).

1.3 Component names

Component names are shown below.

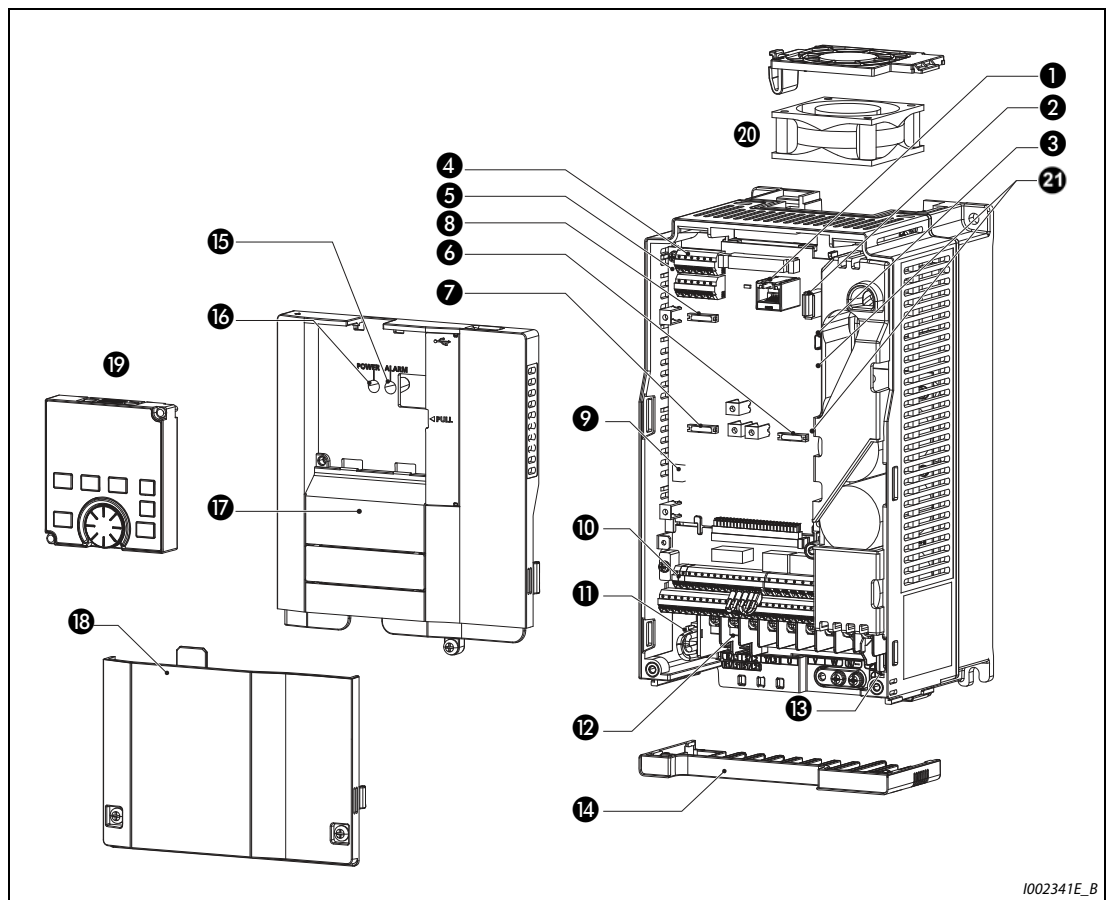



Fig. 1-2: Appearance and structure

Symbol	Name	Description	Refer to page
①	PU connector	Connects the operation panel or the parameter unit. This connector also enables the RS-485 communication.	2-67
②	USB A connector	Connects a USB memory device.	2-68
③	USB mini B connector	Connects a personal computer and enables communication with FR Configurator2.	2-68
④	RS-485 terminals	Enables RS-485, MODBUS® RTU communication and BACnet communication. Upon delivery the FR-F800-E inverter models are not equipped with the RS-485 terminal block.	2-70
⑤	Terminating resistor selection switch (SW1)	Select whether or not to use the terminating resistor for RS-485 communication.	2-70
⑥	Plug-in option connector1	Connects a plug-in option or a communication option. For the FR-F800-E, an Ethernet communication board is installed to the connector 2 (refer to page 2-83.)	Instruction Manual of the option
⑦	Plug-in option connector2		
⑧	Plug-in option connector3		
⑨	Voltage/current input switch (SW2)	Selects between voltage and current for the terminal 2 and 4 inputs.	5-255
⑩	Control circuit terminal block	Connects cables for the control circuit.	2-46
⑪	EMC filter ON/OFF connector	Turns ON/OFF the EMC filter.	3-9
⑫	Main circuit terminal block	Connects cables for the main circuit.	2-33
⑬	Charge lamp	Stays ON while the power is supplied to the main circuit.	2-34
⑭	Wiring cover	This cover is removable without unplugging cables. (FR-F820-01250(30K) or lower, FR-F840-00620(30K) or lower)	2-13
⑮	Alarm lamp	Turns ON when the protective function of the inverter is activated.	2-34
⑯	Power lamp	Stays ON while the power is supplied to the control circuit (R1/L11, S1/L21).	2-34
⑰	Front cover (upper side)	Remove this cover for the installation of the product, installation of a plug-in (communication) option, RS-485 terminal wiring, switching of the voltage/current input switch, etc.	2-12
⑱	Front cover (lower side)	Remove this cover for wiring.	2-13
⑲	Operation panel (FR-DU08)	Operates and monitors the inverter.	4-1
⑳	Cooling fan	Cools the inverter. (FR-F820-00105(2.2K) or higher, FR-F840-00083(3.7K) or higher.)	7-7
㉑	Switches for manufacturer setting (SW3 and SW4)	Do not change the initial setting (OFF )	—

Tab. 1-4: Inverter component names from fig. 1-2

1.4 Operation steps

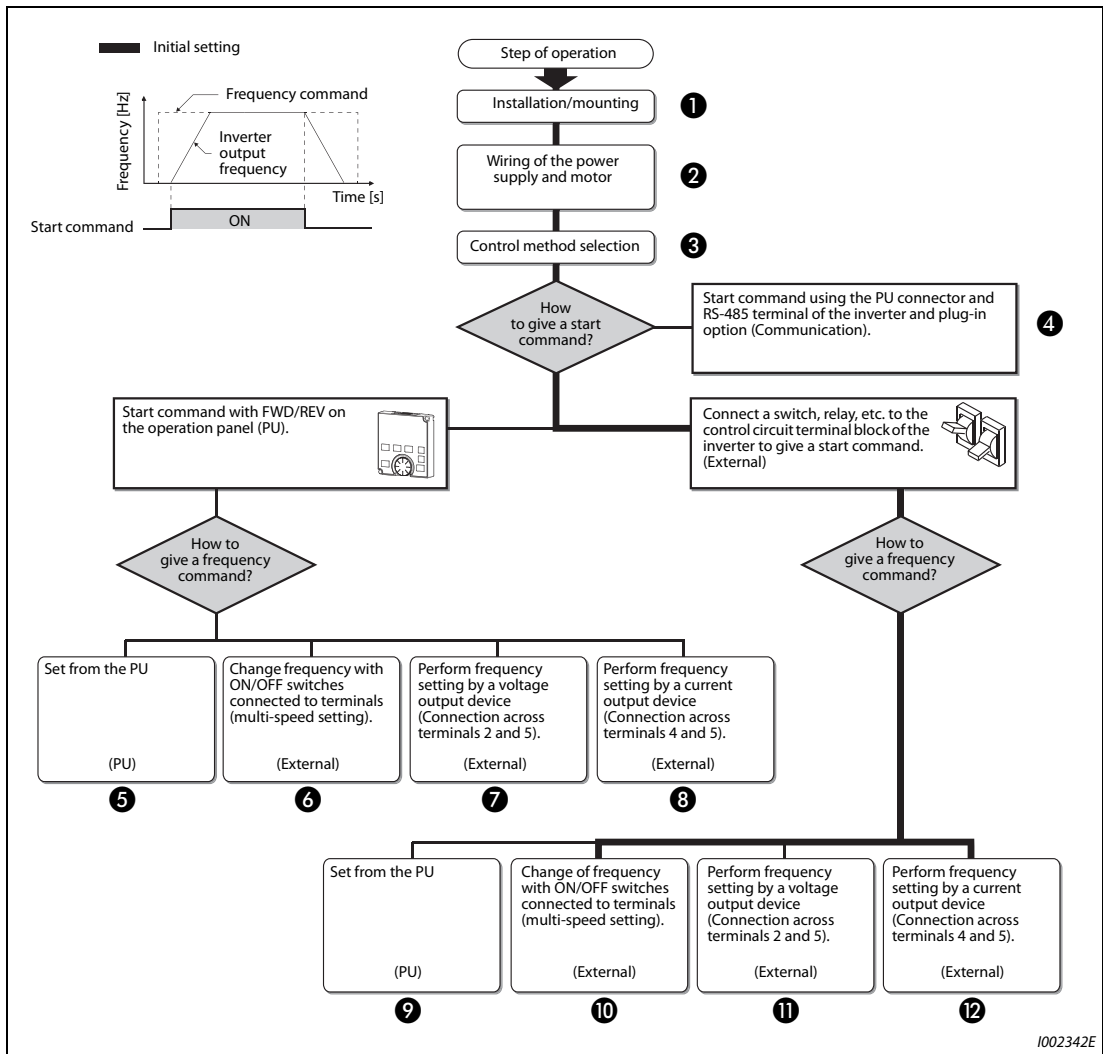


Fig. 1-3: Flow chart of the operation steps

Symbol	Overview	Refer to page
①	Install the inverter.	2-17
②	Perform wiring for the power supply and the motor.	2-34
③	Select the control method (V/F control, Advanced magnetic flux vector control, or PM motor control).	5-41
④	Input the start command via communication.	5-60
⑤	The PU gives both start and frequency commands. (PU operation mode)	4-13
⑥	The PU gives a start command, and inputs to terminal RH, RM, and RL give a frequency command. (External/PU combined operation mode 2)	4-16
⑦	The PU gives a start command, and voltage input to terminal 2 gives a frequency command. (External/PU combined operation mode 2)	4-18
⑧	The PU gives a start command, and current input to terminal 4 gives a frequency command. (External/PU combined operation mode 2)	4-20
⑨	Inputs to terminal STF and STR give a start command, and the PU gives a frequency command. (External/PU combined operation mode 1)	4-22
⑩	Inputs to terminal STF and STR give a start command, and inputs to terminal RH, RM, and RL give a frequency command. (External operation mode)	4-24
⑪	Inputs to terminal STF and STR give a start command, and voltage input to terminal 2 gives a frequency command. (External operation mode)	4-26
⑫	Inputs to terminal STF and STR give a start command, and current input to terminal 4 gives a frequency command. (External operation mode)	4-28

Tab. 1-5: Steps of operation

1.5 Related manuals

The manuals related to the FR-F800 inverters are shown below:

Manual name
FR-F800 Installation Guideline
FR-A800-E/F800-E Ethernet Function Manual
FR-F802 (Separated Converter Type) Instruction Manual (Hardware)
FR-F802-E (Separated Converter Type) Instruction Manual (Hardware)
FR-CC2 (Converter unit) Instruction Manual
FR Configurator2 Instruction Manual
FR-A800/F800 PLC function programming manual
FR-A800/F800 Safety stop function instruction manual

Tab. 1-6: FR-F800 inverters related manuals

For details of the separated converter types refer to the FR-F802 and FR-F802-E (Separated Converter Type) Instruction Manual (Hardware).

2 Installation and wiring

2.1 Peripheral devices

2.1.1 Inverter and peripheral devices

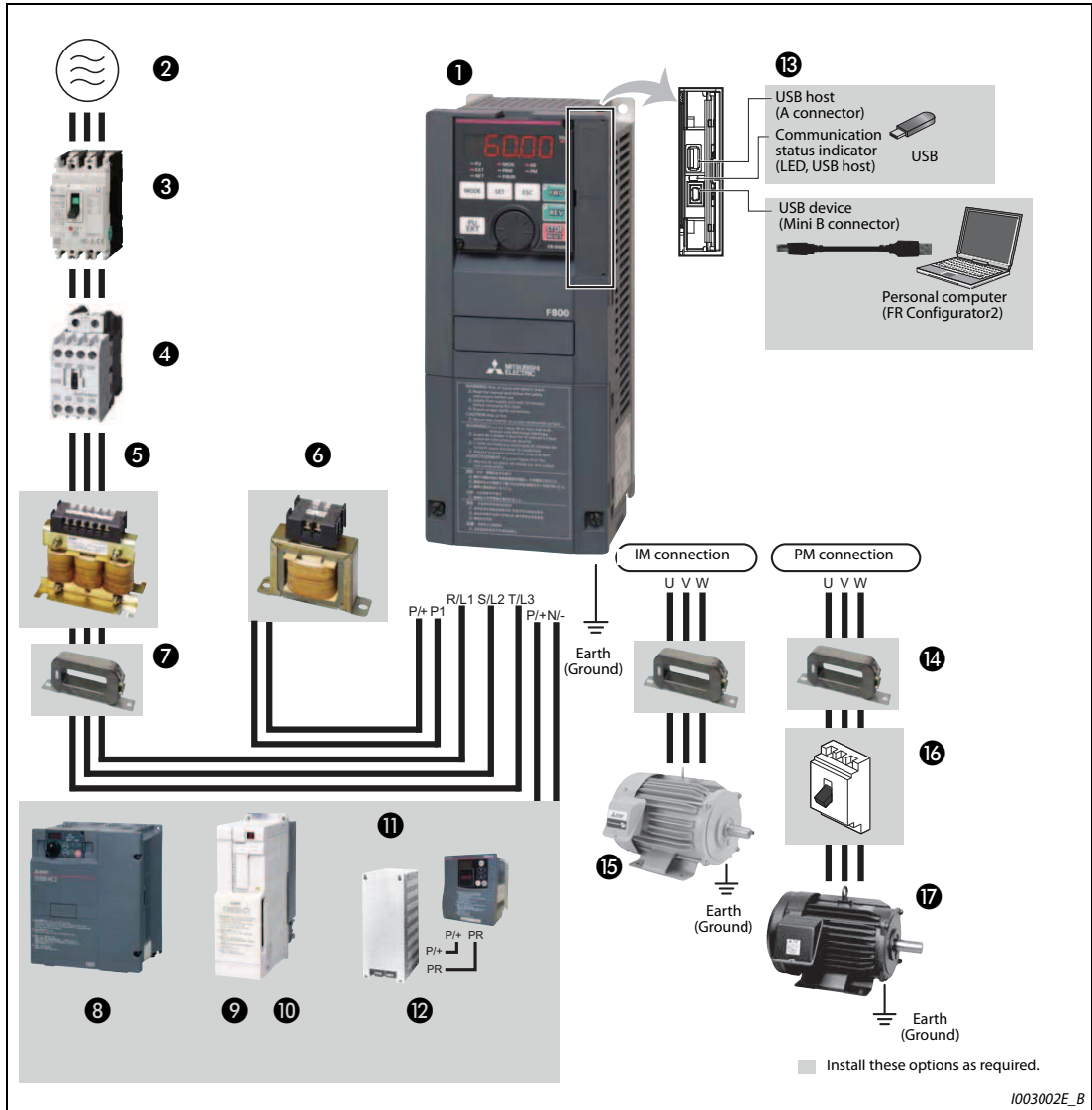


Fig. 2-1: System configuration overview

NOTES

To prevent an electric shock, always earth (ground) the motor and inverter.

Do not install a power factor correction capacitor or surge suppressor or capacitor type filter on the inverter's output side. Doing so will cause the inverter to trip or the capacitor and surge suppressor to be damaged. If any of the above devices is connected, immediately remove it. When installing a molded case circuit breaker on the output side of the inverter, contact the manufacturer of the molded case circuit breaker.

Electromagnetic wave interference

The input/output (main circuit) of the inverter includes high frequency components, which may interfere with the communication devices (such as AM radios) used near the inverter. In this case, activating the EMC filter may minimize interference. (Refer to page 3-9.)

For details of options and peripheral devices, refer to the respective Instruction Manual.

A PM motor cannot be driven by the commercial power supply.

A PM motor is a motor with permanent magnets embedded inside. High voltage is generated at the motor terminals while the motor is running. Before closing the contactor at the output side, make sure that the inverter power is ON and the motor is stopped.

Symbol	Name	Overview	Refer to page
①	Inverter (FR-F800)	The life of the inverter is influenced by the surrounding air temperature. The surrounding air temperature should be as low as possible within the permissible range. This must be noted especially when the inverter is installed in an enclosure. Incorrect wiring may lead to damage of the inverter. The control signal lines must be kept fully away from the main circuit lines to protect them from noise. The built-in EMC filter can reduce the noise.	2-17 2-25 3-9
②	Three-phase AC power supply	Must be within the permissible power supply specifications of the inverter.	8-1
③	Molded case circuit breaker (MCCB), earth leakage circuit breaker (ELB), or fuse	Must be selected carefully since an inrush current flows in the inverter at power ON.	2-4
④	Magnetic contactor (MC)	Install this to ensure safety. Do not use this to start and stop the inverter. Doing so will shorten the life of the inverter.	3-17
⑤	AC reactor (FR-HAL)	Install this to suppress harmonics and to improve the power factor. An AC reactor (FR-HAL) (option) is required when installing the inverter near a large power supply system (1000 kVA or more). Under such condition, the inverter may be damaged if you do not use a reactor. Select a reactor according to the applied motor capacity.	3-16
⑥	DC reactor (FR-HEL)	Install this to suppress harmonics and to improve the power factor. Select a reactor according to the applicable motor capacity. For the FR-F820-03160(75K) or higher and FR-F840-01800(75K) or higher, always connect FR-HEL. When using the DC reactor with the FR-F820-02330(55K) or lower, FR-F840-01160(55K) or lower, remove the jumper across terminals P/+ and P1 before connecting the DC reactor to the inverter.	3-16
⑦	Noise filter (FR-BLF)	The FR-F820-02330(55K) or lower, FR-F840-01160(55K) or lower are equipped with the common mode choke.	3-6
⑧	High power factor converter (FR-HC2)	Suppresses the power supply harmonics significantly. Install this as required.	2-76

Tab. 2-1: Inverter and peripheral devices (1)

Symbol	Name	Overview	Refer to page
9	Power regeneration common converter (FR-CV ^①)	Provides a large braking capability. Install this as required.	2-78
10	Power regeneration converter (MT-RC ^②)		2-79
11	Brake unit (FR-BU2, FR-BU ^①)	Allows the inverter to provide the optimal regenerative braking capability. Install this as required.	2-71
12	Resistor unit (FR-BR ^① , MT-BR5 ^②)		
13	USB connection	A USB (Ver. 1.1) cable connects the inverter with a personal computer. A USB memory device enables parameter copies and the trace function.	2-68
14	Noise filter (ferrite core) (FR-BSF01, FR-BLF)	Install this to reduce the electromagnetic noise generated from the inverter. The noise filter is effective in the range from about 0.5 MHz to 5 MHz. A wire should be wound four turns at maximum.	3-6
15	Induction motor	Connect a squirrel-cage induction motor.	—
16	Contactors Example: No-fuse switch (DSN type)	Connect this for an application where a PM motor is driven by the load even while the inverter power is OFF. Do not open or close the contactor while the inverter is running (outputting).	—
17	IPM motor (MM-EFS, MM-THE4)	Use the specified motor. An IPM motor cannot be driven by the commercial power supply.	8-4

Tab. 2-1: Inverter and peripheral devices (2)

① Compatible with the FR-F820-02330(55K) or lower and FR-F840-01160(55K) or lower.

② Compatible with the FR-F820-03160(75K) or higher and FR-F840-01800(75K) or higher.

2.1.2 Peripheral devices

Check the model of the inverter you purchased. Appropriate peripheral devices must be selected according to the capacity.

Refer to the table below to prepare appropriate peripheral devices.

LD rating (Pr. 570 "Multiple rating setting" = "1")

- 200 V class

Motor output [kW] ①	Applicable inverter model	Molded case circuit breaker (MCCB) ② or Earth leakage circuit breaker (ELB) (NF, NV type)		Input-side magnetic contactor ③	
		Power factor improving (AC or DC) reactor		Power factor improving (AC or DC) reactor	
		Without	With	Without	With
0.75	FR-F820-00046(0.75K)	10A	10A	S-T10	S-T10
1.5	FR-F820-00077(1.5K)	15A	15A	S-T10	S-T10
2.2	FR-F820-00105(2.2K)	20A	15A	S-T10	S-T10
3.7	FR-F820-00167(3.7K)	30A	30A	S-T21	S-T10
5.5	FR-F820-00250(5.5K)	50A	40A	S-T25	S-T21
7.5	FR-F820-00340(7.5K)	60A	50A	S-N35	S-T25
11	FR-F820-004900(11K)	75A	75A	S-N35	S-N35
15	FR-F820-00630(15K)	125A	100A	S-N50	S-N50
18.5	FR-F820-00770(18.5K)	150A	125A	S-N65	S-N50
22	FR-F820-00930(22K)	175A	125A	S-N80	S-N65
30	FR-F820-01250(30K)	225A	150A	S-N95	S-N80
37	FR-F820-01540(37K)	250A	200A	S-N150	S-N125
45	FR-F820-01870(45K)	300A	225A	S-N180	S-N150
55	FR-F820-02330(55K)	400A	300A	S-N220	S-N180
75	FR-F820-03160(75K)	—	400A	—	S-N300
90	FR-F820-03800(90K)	—	400A	—	S-N300
110	FR-F820-04750(110K)	—	500A	—	S-N400

Tab. 2-2: Breakers and contactors (LD rating, 200 V class)

- ① Assumes the use of an IPM motor MM-EFS/MM-THE4 or a Mitsubishi 4-pole standard motor with the power supply voltage of 200 V AC 50 Hz.
- ② Select an MCCB according to the power supply capacity. Install one MCCB per inverter. For the use in the United States or Canada, provide the appropriate UL and cUL listed fuse or UL489 molded case circuit breaker (MCCB) that is suitable for branch circuit protection. (Refer to the Installation Guideline.)

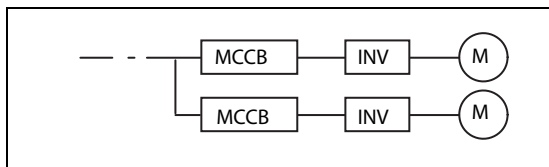


Fig. 2-2: Installation of the breakers

I002770E

- ③ The magnetic contactor is selected based on the AC-1 class. The electrical durability of magnetic contactor is 500,000 times. When the magnetic contactor is used for emergency stops during motor driving, the electrical durability is 25 times. If using an MC for emergency stop during motor driving, select an MC regarding the inverter input side current as JEM1038-AC-3 class rated current. When using an MC on the inverter output side for commercial-power supply operation switching using a general-purpose motor, select an MC regarding the rated motor current as JEM1038-AC-3 class rated current.

NOTES

When the inverter capacity is larger than the motor capacity, select an MCCB and a magnetic contactor according to the inverter model, and select cables and reactors according to the motor output.

When the breaker on the inverter's input side trips, check for the wiring fault (short circuit), damage to internal parts of the inverter etc. The cause of the trip must be identified and removed before turning ON the power of the breaker.

● 400 V class

Motor output [kW] ①	Applicable inverter model	Molded case circuit breaker (MCCB) ② or earth leakage circuit breaker (ELB) (NF, NV type)		Input-side magnetic contactor ③	
		Power factor improving (AC or DC) reactor		Power factor improving (AC or DC) reactor	
		Without	With	Without	With
0.75	FR-F840-00023(0.75K)	5A	5A	S-T10	S-T10
1.5	FR-F840-00038(1.5K)	10A	10A	S-T10	S-T10
2.2	FR-F840-00052(2.2K)	10A	10A	S-T10	S-T10
3.7	FR-F840-00083(3.7K)	20A	15A	S-T10	S-T10
5.5	FR-F840-00126(5.5K)	30A	20A	S-T21	S-T12
7.5	FR-F840-00170(7.5K)	30A	30A	S-T21	S-T21
11	FR-F840-00250(11K)	50A	40A	S-T21	S-T21
15	FR-F840-00310(15K)	60A	50A	S-N35	S-T21
18.5	FR-F840-00380(18.5K)	75A	60A	S-N35	S-N35
22	FR-F840-00470(22K)	100A	75A	S-N35	S-N35
30	FR-F840-00620(30K)	125A	100A	S-N50	S-N50
37	FR-F840-00770(37K)	150A	100A	S-N65	S-N50
45	FR-F840-00930(45K)	175A	125A	S-N80	S-N65
55	FR-F840-01160(55K)	200A	150A	S-N80	S-N80
75	FR-F840-01800(75K)	—	200A	—	S-N95
90	FR-F840-02160(90K)	—	225A	—	S-N150
110	FR-F840-02600(110K)	—	225A	—	S-N180
132	FR-F840-03250(132K)	—	350A	—	S-N220
150	FR-F840-03250(132K)	—	350A	—	S-N220
160	FR-F840-03610(160K)	—	400A	—	S-N300
185	FR-F840-04320(185K)	—	400A	—	S-N300
220	FR-F840-04810(220K)	—	500A	—	S-N400
250	FR-F840-05470(250K)	—	600A	—	S-N600
280	FR-F840-06100(280K)	—	600A	—	S-N600
315	FR-F840-06830(315K)	—	700A	—	S-N600

Tab. 2-3: Breakers and contactors (LD rating, 400 V class)

- ① Assumes the use of an IPM motor MM-EFS/MM-THE4 or a Mitsubishi 4-pole standard motor with the power supply voltage of 400 V AC 50 Hz.
- ② Select an MCCB according to the power supply capacity. Install one MCCB per inverter. For the use in the United States or Canada, provide the appropriate UL and cUL listed fuse or UL489 molded case circuit breaker (MCCB) that is suitable for branch circuit protection. (Refer to the Installation Guideline.)

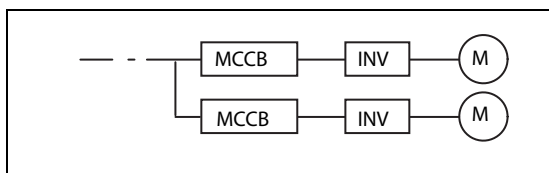


Fig. 2-3: Installation of the breakers

1002770E

- ③ Magnetic contactor is selected based on the AC-1 class. The electrical durability of magnetic contactor is 500,000 times. When the magnetic contactor is used for emergency stops during motor driving, the electrical durability is 25 times. If using an MC for emergency stop during motor driving, select an MC regarding the inverter input side current as JEM1038-AC-3 class rated current. When using an MC on the inverter output side for commercial-power supply operation switching using a general-purpose motor, select an MC regarding the rated motor current as JEM1038-AC-3 class rated current.

NOTES

When the inverter capacity is larger than the motor capacity, select an MCCB and a magnetic contactor according to the inverter model, and select cables and reactors according to the motor output.

When the breaker on the inverter's input side trips, check for the wiring fault (short circuit), damage to internal parts of the inverter etc. The cause of the trip must be identified and removed before turning ON the power of the breaker.

SLD rating (Pr. 570 "Multiple rating setting" = "0")

- 200 V class

Motor output [kW] ①	Applicable inverter model	Molded case circuit breaker (MCCB) ② or Earth leakage circuit breaker (ELB) (NF, NV type)		Input-side magnetic contactor ③	
		Power factor improving (AC or DC) reactor		Power factor improving (AC or DC) reactor	
		Without	With	Without	With
0.75	FR-F820-00046(0.75K)	10A	10A	S-T10	S-T10
1.5	FR-F820-00077(1.5K)	15A	15A	S-T10	S-T10
2.2	FR-F820-00105(2.2K)	20A	15A	S-T10	S-T10
3.7	FR-F820-00167(3.7K)	30A	30A	S-T21	S-T10
5.5	FR-F820-00250(5.5K)	50A	40A	S-T25	S-T21
7.5	FR-F820-00340(7.5K)	75A	50A	S-N35	S-N35
11	FR-F820-004900(11K)	100A	75A	S-N50	S-N35
15	FR-F820-00630(15K)	125A	100A	S-N65	S-N50
18.5	FR-F820-00770(18.5K)	150A	125A	S-N65	S-N50
22	FR-F820-00930(22K)	175A	150A	S-N80	S-N65
30	FR-F820-01250(30K)	225A	175A	S-N150	S-N80
37	FR-F820-01540(37K)	300A	225A	S-N150	S-N150
45	FR-F820-01870(45K)	350A	250A	S-N180	S-N150
55	FR-F820-02330(55K)	400A	350A	S-N220	S-N180
75	FR-F820-03160(75K)	—	500A	—	S-N300
90	FR-F820-03800(90K)	—	500A	—	S-N400
110	FR-F820-03800(90K)	—	500A	—	S-N400
132	FR-F820-04750(110K)	—	600A	—	S-N600

Tab. 2-4: Breakers and contactors (SLD rating, 200 V class)

- ① Assumes the use of an IPM motor MM-EFS/MM-THE4 or a Mitsubishi 4-pole standard motor with the power supply voltage of 200 V AC 50 Hz.
- ② Select an MCCB according to the power supply capacity. Install one MCCB per inverter. For the use in the United States or Canada, provide the appropriate UL and cUL listed fuse or UL489 molded case circuit breaker (MCCB) that is suitable for branch circuit protection. (Refer to the Installation Guideline.)

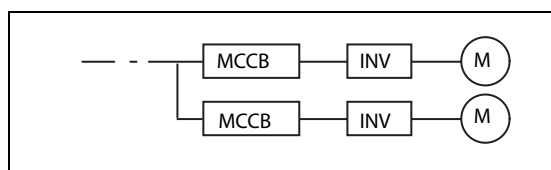


Fig. 2-4: Installation of the breakers

1002770E

- ③ The magnetic contactor is selected based on the AC-1 class. The electrical durability of magnetic contactor is 500,000 times. When the magnetic contactor is used for emergency stops during motor driving, the electrical durability is 25 times. If using an MC for emergency stop during motor driving, select an MC regarding the inverter input side current as JEM1038-AC-3 class rated current. When using an MC on the inverter output side for commercial-power supply operation switching using a general-purpose motor, select an MC regarding the rated motor current as JEM1038-AC-3 class rated current.

NOTES

When the inverter capacity is larger than the motor capacity, select an MCCB and a magnetic contactor according to the inverter model, and select cables and reactors according to the motor output.

When the breaker on the inverter's input side trips, check for the wiring fault (short circuit), damage to internal parts of the inverter etc. The cause of the trip must be identified and removed before turning ON the power of the breaker.

● 400 V class

Motor output [kW] ①	Applicable inverter model	Molded case circuit breaker (MCCB) ② or earth leakage circuit breaker (ELB) (NF, NV type)		Input-side magnetic contactor ③	
		Power factor improving (AC or DC) reactor		Power factor improving (AC or DC) reactor	
		Without	With	Without	With
0.75	FR-F840-00023(0.75K)	5A	5A	S-T10	S-T10
1.5	FR-F840-00038(1.5K)	10A	10A	S-T10	S-T10
2.2	FR-F840-00052(2.2K)	10A	10A	S-T10	S-T10
3.7	FR-F840-00083(3.7K)	20A	15A	S-T10	S-T10
5.5	FR-F840-00126(5.5K)	30A	20A	S-T21	S-T12
7.5	FR-F840-00170(7.5K)	30A	30A	S-T21	S-T21
11	FR-F840-00250(11K)	50A	40A	S-T21	S-T21
15	FR-F840-00310(15K)	60A	50A	S-N35	S-T21
18.5	FR-F840-00380(18.5K)	75A	60A	S-N35	S-N35
22	FR-F840-00470(22K)	100A	75A	S-N35	S-N35
30	FR-F840-00620(30K)	125A	100A	S-N50	S-N50
37	FR-F840-00770(37K)	150A	125A	S-N65	S-N50
45	FR-F840-00930(45K)	175A	150A	S-N80	S-N65
55	FR-F840-01160(55K)	200A	175A	S-N150	S-N80
75	FR-F840-01800(75K)	—	225A	—	S-N150
90	FR-F840-01800(75K)	—	225A	—	S-N150
110	FR-F840-02160(90K)	—	225A	—	S-N180
132	FR-F840-02600(110K)	—	350A	—	S-N220
150	FR-F840-03250(132K)	—	400A	—	S-N300
160	FR-F840-03250(132K)	—	400A	—	S-N300
185	FR-F840-03610(160K)	—	400A	—	S-N300
220	FR-F840-04320(185K)	—	500A	—	S-N400
250	FR-F840-04810(220K)	—	600A	—	S-N600
280	FR-F840-05470(250K)	—	600A	—	S-N600
315	FR-F840-06100(280K)	—	700A	—	S-N600
355	FR-F840-06830(315K)	—	800A	—	S-N800

Tab. 2-5: Breakers and contactors (SLD rating, 400 V class)

- ① Assumes the use of an IPM motor MM-EFS/MM-THE4 or a Mitsubishi 4-pole standard motor with the power supply voltage of 400 V AC 50 Hz.
- ② Select an MCCB according to the power supply capacity.
Install one MCCB per inverter.
For the use in the United States or Canada, provide the appropriate UL and cUL listed fuse or UL489 molded case circuit breaker (MCCB) that is suitable for branch circuit protection. (Refer to the Installation Guideline.)

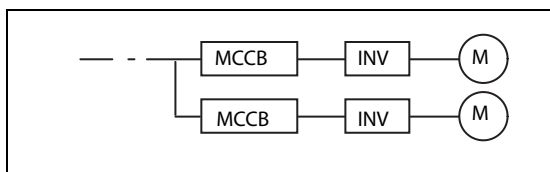


Fig. 2-5: Installation of the breakers

I002770E

- ③ Magnetic contactor is selected based on the AC-1 class. The electrical durability of magnetic contactor is 500,000 times. When the magnetic contactor is used for emergency stops during motor driving, the electrical durability is 25 times.
If using an MC for emergency stop during motor driving, select an MC regarding the inverter input side current as JEM1038-AC-3 class rated current. When using an MC on the inverter output side for commercial-power supply operation switching using a general-purpose motor, select an MC regarding the rated motor current as JEM1038-AC-3 class rated current.

NOTES

When the inverter capacity is larger than the motor capacity, select an MCCB and a magnetic contactor according to the inverter model, and select cables and reactors according to the motor output.

When the breaker on the inverter's input side trips, check for the wiring fault (short circuit), damage to internal parts of the inverter etc. The cause of the trip must be identified and removed before turning ON the power of the breaker.

2.2 Removal and reinstallation of the operation panel or the front covers

Removal and reinstallation of the operation panel

- ① Loosen the two screws on the operation panel. (These screws cannot be removed.)
- ② Press the upper edge of the operation panel while pulling out the operation panel.

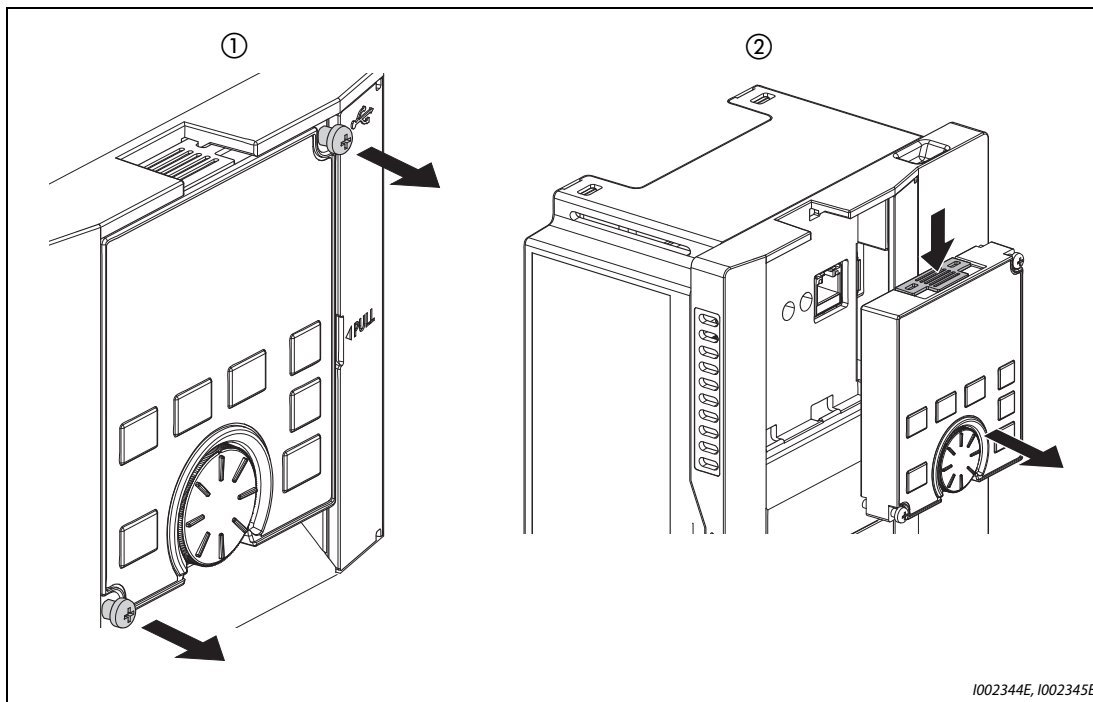


Fig. 2-6: Removal and reinstallation of the operation panel

To reinstall the operation panel, align its connector on the back with the PU connector of the inverter, and insert the operation panel. After confirming that the operation panel is fit securely, tighten the screws. (Tightening torque: 0.40 to 0.45 Nm)

Removal of the front cover (lower side)
(FR-F820-01540(37K) or lower, FR-F840-00770(37K) or lower)

- ① Loosen the screws on the front cover (lower side).
(These screws cannot be removed.)
- ② Holding the areas around the installation hooks on the sides of the front cover (lower side), pull out the front cover (lower side) using its upper side as a support.
- ③ With the front cover (lower side) removed, wiring of the main circuit terminals and control circuit terminals can be performed.

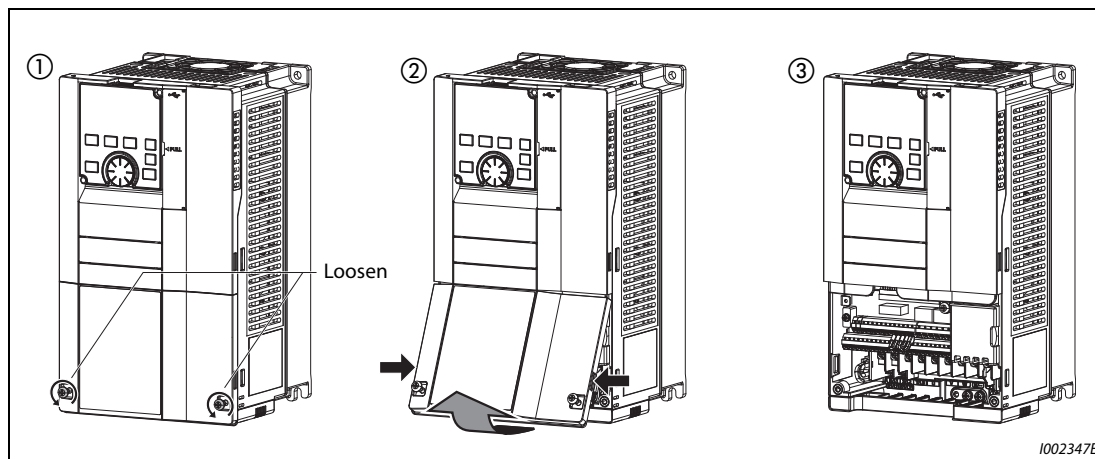


Fig. 2-7: Removal of the front cover (lower side)

Removal of the front cover (upper side)
(FR-F820-01540(37K) or lower, FR-F840-00770(37K) or lower)

- ① With the front cover (lower side) removed, loosen the mounting screw(s) on the front cover (upper side). (The screw(s) cannot be removed.)
(FR-F820-00340(7.5K) to FR-F820-01540(37K) and FR-F840-00170(7.5K) to FR-F840-00770(37K) have two mounting screws.)
- ② Holding the areas around the installation hooks on the sides of the front cover (upper side), pull out the cover using its upper side as a support.
- ③ With the front cover (upper side) removed, wiring of the RS-485 terminals and installation of the plug-in option can be performed.

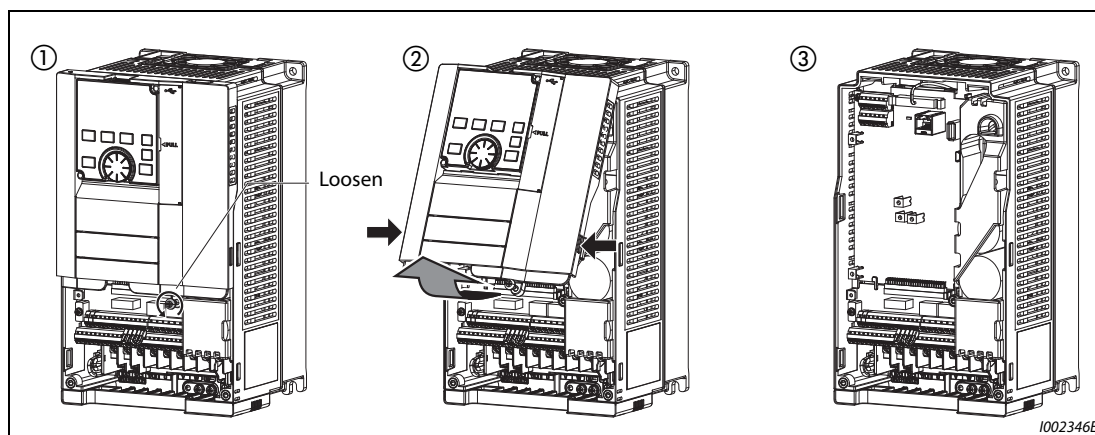


Fig. 2-8: Removal of the front cover (upper side)

**Reinstallation of the front covers
(FR-F820-01540(37K) or lower, FR-F840-00770(37K) or lower)**

- ① Insert the upper hooks of the front cover (upper side) into the sockets of the inverter.
Securely install the front cover (upper side) to the inverter by fixing the hooks on the sides of the cover into place.
- ② Tighten the mounting screw(s) at the lower part of the front cover (upper side).
(FR-F820-00340(7.5K) to FR-F820-01540(37K) and FR-F840-00170(7.5K) to FR-F840-00770(37K) have two mounting screws.)
- ③ Install the front cover (lower side) by inserting the upper hook into the socket of the front cover (upper side).
- ④ Tighten the mounting screws at the lower part of the front cover (lower side).

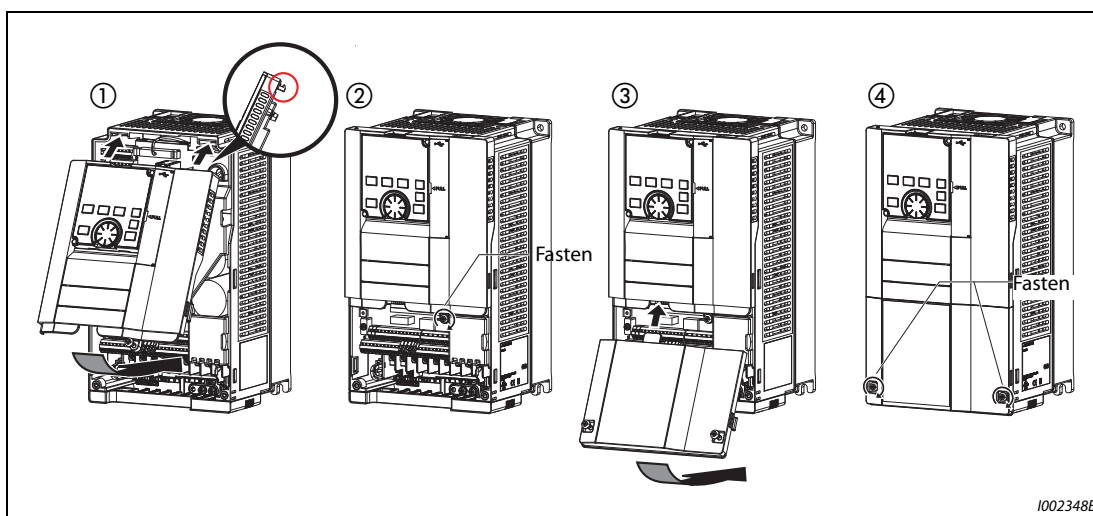


Fig. 2-9: Reinstallation of the front covers

NOTE

When installing the front cover (upper side), fit the connector of the operation panel securely along the guides of the PU connector.

Removal of the front cover (lower side)
(FR-F820-01870(45K) or higher, FR-F840-00930(45K) or higher)

- ① When the mounting screws are removed, the front cover (lower side) can be removed.
- ② With the front cover (lower side) removed, wiring of the main circuit terminals can be performed.

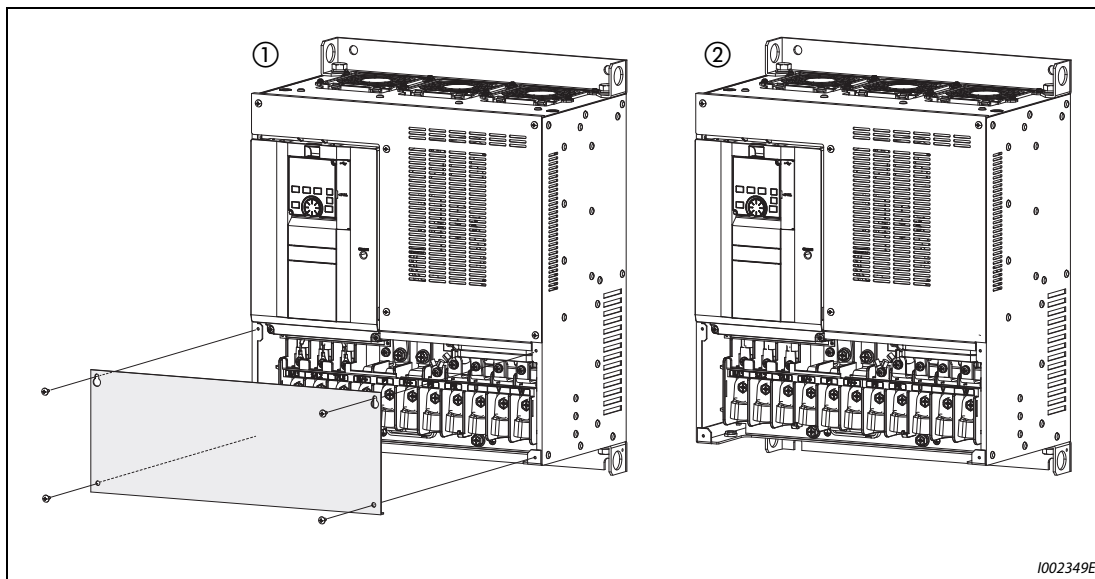


Fig. 2-10: Removal of the front cover (lower side)

Removal of the front cover (upper side)
(FR-F820-01870(45K) or higher, FR-F840-00930(45K) or higher)

- ① With the front cover (lower side) removed, loosen the mounting screws on the front cover (upper side). (These screws cannot be removed.)
- ② Holding the areas around the installation hooks on the sides of the front cover (upper side), pull out the cover using its upper side as a support.
- ③ With the front cover (upper side) removed, wiring of the RS-485 terminals and installation of the plug-in option can be performed.

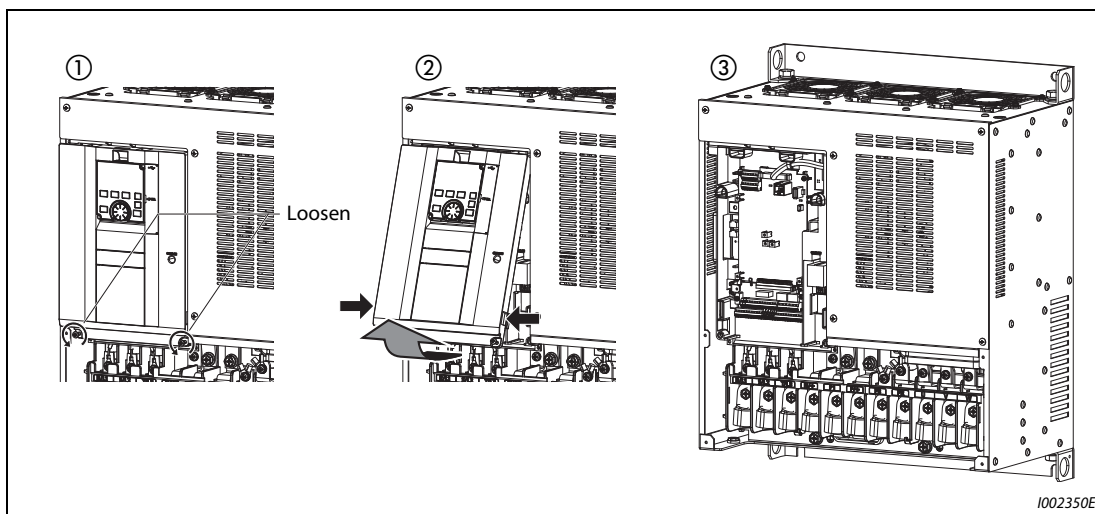


Fig. 2-11: Removal of the front cover (upper side)

**Reinstallation of the front covers
(FR-F820-01870(45K) or higher, FR-F840-00930(45K) or higher)**

- ① Insert the upper hooks of the front cover (upper side) into the sockets of the inverter.
Securely install the front cover (upper side) to the inverter by fixing the hooks on the sides of the cover into place.
- ② Tighten the mounting screw(s) at the lower part of the front cover (upper side).
- ③ Fasten the front cover (lower side) with the mounting screws.

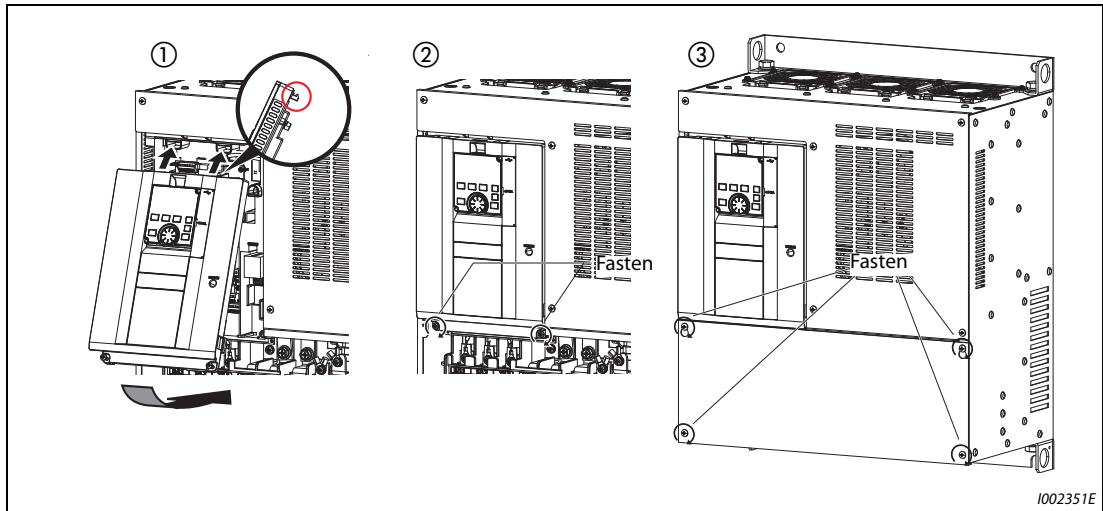


Fig. 2-12: Reinstallation of the front covers

NOTES

Fully make sure that the front covers are installed securely. Always tighten the mounting screws of the front covers

2.3 Installation of the inverter and enclosure design

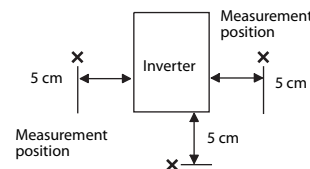
When designing or manufacturing an inverter enclosure, determine its structure, size, and device layout by fully considering the conditions such as heat generation of the contained devices and the operating environment. An inverter unit uses many semiconductor devices. To ensure higher reliability and long period of operation, operate the inverter in the ambient environment that completely satisfies the equipment specifications.

2.3.1 Inverter installation environment

The following table lists the standard specifications of the inverter installation environment. Using the inverter in an environment that does not satisfy the conditions deteriorates the performance, shortens the life, and causes a failure. Refer to the following points, and take adequate measures.

Standard environmental specifications of the inverter

Item		Description
Surrounding air temperature	LD	-10 to +50 °C (non-freezing)
	SLD	-10 to +40 °C (non-freezing)
Ambient humidity		With circuit board coating (conforming to IEC60721-3-3 3C2/3S2): 95% RH or less (non-condensing) Without circuit board coating: 90% RH or less (non-condensing)
Storage temperature		-20 to +65 °C ①
Atmosphere		Indoors (free from corrosive gas, flammable gas, oil mist, dust and dirt)
Altitude		Maximum 1,000 m above sea level. ②
Vibration		5.9 m/s ² or less ③ at 10 to 55 Hz (directions of X, Y, Z axes)



Tab. 2-6: Environmental standard specifications of inverter

- ① Temperature applicable for a short time, e.g. in transit.
- ② For the installation at an altitude above 1,000 m up to 2,500 m, derate the rated current 3% per 500 m.
- ③ 2.9 m/s² or less for the FR-F840-04320(185K) or higher.

Temperature

The permissible surrounding air temperature of the inverter is between -10 °C and +50 °C (-10 °C and +40 °C at the SLD rating). Always operate the inverter within this temperature range. Operation outside this range will considerably shorten the service lives of the semiconductors, parts, capacitors and others. Take the following measures to keep the surrounding air temperature of the inverter within the specified range.

- Measures against high temperature
 - Use a forced ventilation system or similar cooling system. (Refer to page 2-20.)
 - Install the enclosure in an air-conditioned electric chamber.
 - Block direct sunlight.
 - Provide a shield or similar plate to avoid direct exposure to the radiated heat and wind of a heat source.
 - Ventilate the area around the enclosure well.

- Measures against low temperature
 - Provide a space heater in the enclosure.
 - Do not power OFF the inverter. (Keep the start signal of the inverter OFF.)
- Sudden temperature changes
 - Select an installation place where temperature does not change suddenly.
 - Avoid installing the inverter near the air outlet of an air conditioner.
 - If temperature changes are caused by opening/closing of a door, install the inverter away from the door.

NOTE

For the amount of heat generated by the inverter unit, refer to the Technical News (MF-Z-118) contained in the enclosed CD-ROM.

Humidity

Operate the inverter within the ambient air humidity of usually 45 to 90% (up to 95% with circuit board coating). Too high humidity will pose problems of reduced insulation and metal corrosion. On the other hand, too low humidity may cause a spatial electrical breakdown.

The insulation distance defined in JEM1103 "Control Equipment Insulator" is humidity of 45 to 85%.

- Measures against high humidity
 - Make the enclosure enclosed, and provide it with a hygroscopic agent.
 - Provide dry air into the enclosure from outside.
 - Provide a space heater in the enclosure.
- Measures against low humidity

Air with proper humidity can be blown into the enclosure from outside. Also when installing or inspecting the unit, discharge your body (static electricity) beforehand, and keep your body away from the parts and patterns.
- Measures against condensation

Condensation may occur if frequent operation stops change the in-enclosure temperature suddenly or if the outside air temperature changes suddenly. Condensation causes such faults as reduced insulation and corrosion.

 - Take the measures against high humidity.
 - Do not power OFF the inverter. (Keep the start signal of the inverter OFF.)

Dust, dirt, oil mist

Dust and dirt will cause such faults as poor contacts, reduced insulation and cooling effect due to the moisture-absorbed accumulated dust and dirt, and in-enclosure temperature rise due to a clogged filter. In an atmosphere where conductive powder floats, dust and dirt will cause such faults as malfunction, deteriorated insulation and short circuit in a short time.

Since oil mist will cause similar conditions, it is necessary to take adequate measures.

● Countermeasure

- Place the inverter in a totally enclosed enclosure.
Take measures if the in-enclosure temperature rises. (Refer to page 2-20.)
- Purge air.
Pump clean air from outside to make the in-enclosure air pressure higher than the outside air pressure.

Corrosive gas, salt damage

If the inverter is exposed to corrosive gas or to salt near a beach, the printed board patterns and parts will corrode or the relays and switches will result in poor contact.

In such places, take the measures given in "Dust, dirt, oil mist".

Explosive, flammable gases

As the inverter is non-explosion proof, it must be contained in an explosion-proof enclosure. In places where explosion may be caused by explosive gas, dust or dirt, an enclosure cannot be used unless it structurally complies with the guidelines and has passed the specified tests. This makes the enclosure itself expensive (including the test charges). The best way is to avoid installation in such places and install the inverter in a non-hazardous place.

High altitude

Use the inverter at an altitude of within 1000 m. For the installation at an altitude above 1,000 m up to 2,500 m, derate the rated current 3% per 500 m.

If it is used at a higher place, it is likely that thin air will reduce the cooling effect and low air pressure will deteriorate dielectric strength.

Vibration, impact

The vibration resistance of the inverter is up to 5.9 m/s^2 (2.9 m/s^2 or less for the FR-F840-04320(185K) or higher) at 10 to 55 Hz frequency and 1 mm amplitude for the directions of X, Y, Z axes. Applying vibration and impact for a long time may loosen the structures and cause poor contacts of connectors, even if those vibration and impacts are within the specified values.

Especially when impacts are applied repeatedly, caution must be taken because such impacts may break the installation feet.

● Countermeasure

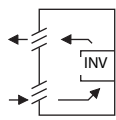
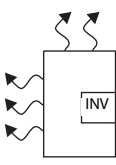
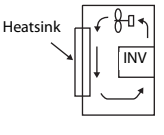
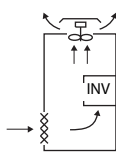
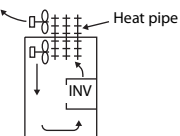
- Provide the enclosure with rubber vibration isolators.
- Strengthen the structure to prevent the enclosure from resonance.
- Install the enclosure away from the sources of the vibration.

2.3.2 Cooling system types for inverter enclosure

From the enclosure that contains the inverter, the heat of the inverter and other equipment (transformers, lamps, resistors, etc.) and the incoming heat such as direct sunlight must be dissipated to keep the in-enclosure temperature lower than the permissible temperatures of the in-enclosure equipment including the inverter.

The cooling systems are classified as follows in terms of the cooling calculation method.

- Cooling by natural heat dissipation from the enclosure surface (totally enclosed type)
- Cooling by heatsink (aluminium fin, etc.)
- Cooling by ventilation (forced ventilation type, pipe ventilation type)
- Cooling by heat exchanger or cooler (heat pipe, cooler, etc.)

Cooling system		Enclosure structure	Comment
Natural cooling	Natural ventilation (enclosed, open type)	 1001000E	This system is low in cost and generally used, but the enclosure size increases as the inverter capacity increases. This system is for relatively small capacities.
	Natural ventilation (totally enclosed type)	 1001001E	Being a totally enclosed type, this system is the most appropriate for hostile environment having dust, dirt, oil mist, etc. The enclosure size increases depending on the inverter capacity.
Forced cooling	Heatsink cooling	 1001002E	This system has restrictions on the heatsink mounting position and area. This system is for relatively small capacities.
	Forced ventilation	 1001003E	This system is for general indoor installation. This is appropriate for enclosure downsizing and cost reduction, and often used.
	Heat pipe	 1001004E	This is a totally enclosed for enclosure downsizing.

Tab. 2-7: Cooling system types for inverter enclosure

2.3.3 Inverter installation

Inverter placement

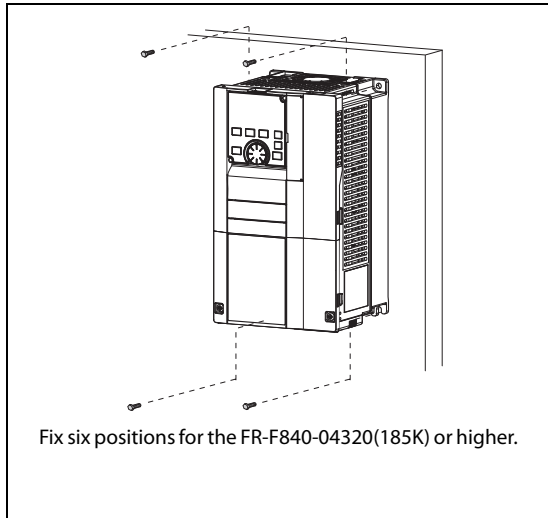
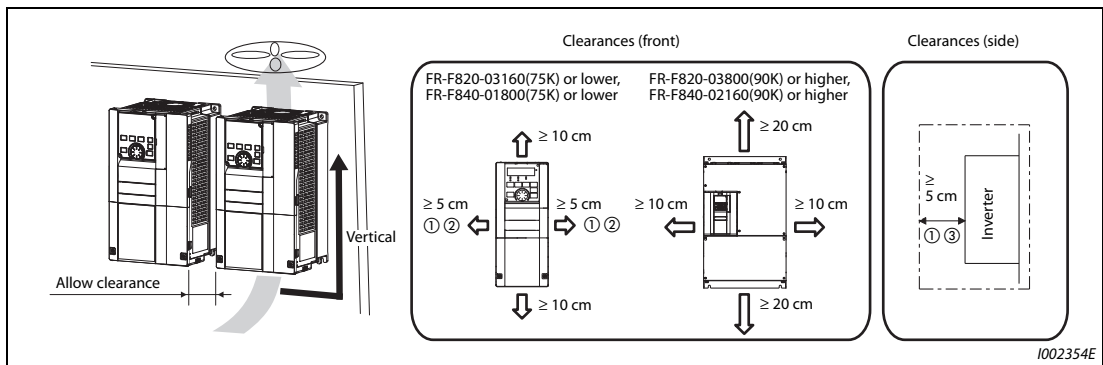


Fig. 2-13:
Installation on the panel

I002353E

- Install the inverter on a strong surface securely with screws.
- Leave enough clearances and take cooling measures.
- Avoid places where the inverter is subjected to direct sunlight, high temperature and high humidity.
- Install the inverter on a nonflammable wall surface.
- When encasing multiple inverters, install them in parallel as a cooling measure.
- For heat dissipation and maintenance, keep clearance between the inverter and the other devices or enclosure surface. The clearance below the inverter is required as a wiring space, and the clearance above the inverter is required as a heat dissipation space.



I002354E

Fig. 2-14: Clearances

- ① For the FR-F820-00250(5.5K) or lower and FR-F840-00126(5.5K) or lower, allow 1 cm or more clearance.
- ② When using the FR-F820-01250(30K) or lower and FR-F840-00620(30K) or lower at the surrounding air temperature of 40 °C or less (30 °C or less for the SLD rated inverter), side-by-side installation (0 cm clearance) is available.
- ③ For replacing the cooling fan of the FR-F840-04320(185K) or higher, 30 cm of space is necessary in front of the inverter. Refer to page 7-7 for fan replacement.

Installation orientation of the inverter

Install the inverter on a wall as specified. Do not mount it horizontally or any other way.

Above the inverter

Heat is blown up from inside the inverter by the small fan built in the unit. Any equipment placed above the inverter should be heat resistant.

Arrangement of multiple inverters

When multiple inverters are placed in the same enclosure, generally arrange them horizontally as shown in the fig. 2-15 (a). When it is inevitable to arrange them vertically to minimize space, take such measures as to provide guides since heat from the bottom inverters can increase the temperatures in the top inverters, causing inverter failures.

When mounting multiple inverters, fully take caution not to make the surrounding air temperature of the inverter higher than the permissible value by providing ventilation and increasing the enclosure size.

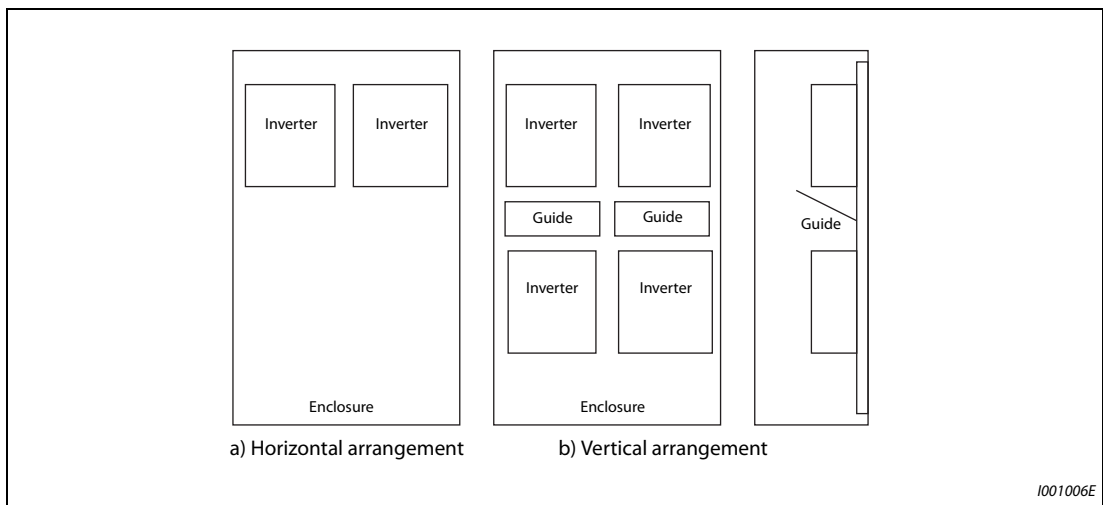


Fig. 2-15: Arrangement of multiple inverters

Arrangement of the ventilation fan and inverter

Heat generated in the inverter is blown up from the bottom of the unit as warm air by the cooling fan. When installing a ventilation fan for that heat, determine the place of ventilation fan installation after fully considering an air flow. (Air passes through areas of low resistance. Make an airway and airflow plates to expose the inverter to cool air.)

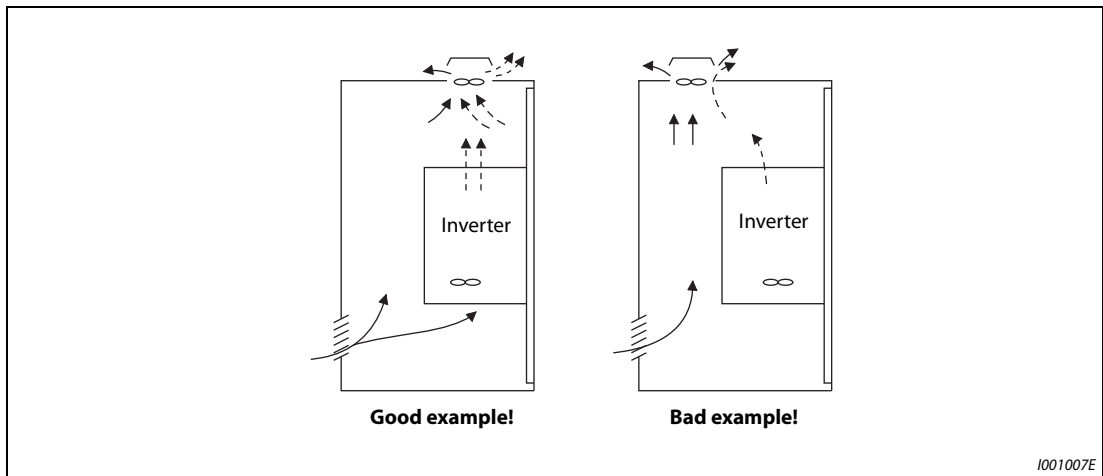


Fig. 2-16: Arrangement of the ventilation fan and inverter

2.3.4 Panel through attachment procedure

When encasing the inverter to an enclosure, the heat generated in the enclosure can be greatly reduced by protruding the heatsink of the inverter.

When installing the inverter in a compact enclosure, etc., this installation method is recommended.

When using a panel through attachment (FR-A8CN)

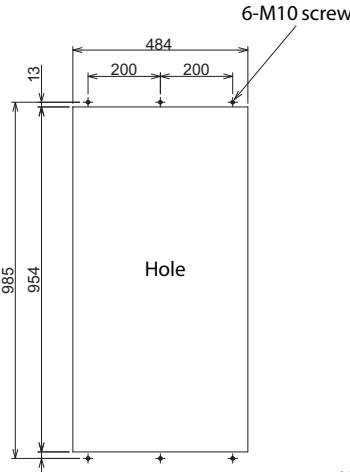
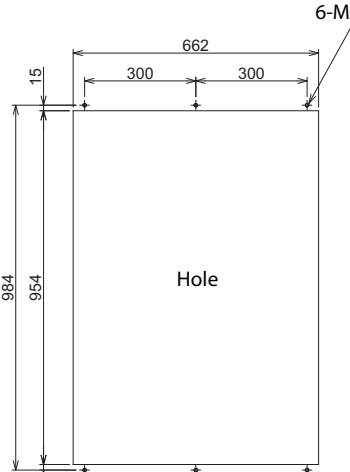
For the FR-F820-00105(2.2K) to 04750(110K) and the FR-F840-00023(0.75K) to 03610(160K), a heat-sink can be protruded outside the enclosure using a panel through attachment (FR-A8CN). (For the FR-F840-04320(185K) or higher, attachment is not necessary when the heatsink is to be protruded.)

For a panel cut dimension drawing and an installation procedure of the panel through attachment (FR-A8CN) to the inverter, refer to a manual of FR-A8CN.

Protrusion of heatsink of the FR-F840-04320(185K) or higher

- Panel cutting

Cut the panel of the enclosure according to the inverter capacity.

FR-F840-04320(185K), FR-F840-04810(220K)	FR-F840-05470(250K) FR-F840-06100(280K) FR-F840-06830(315K)
 <p style="text-align: right;">Unit: mm 1002800E</p>	 <p style="text-align: right;">Unit: mm 1002801E</p>

Tab. 2-8: Dimensions of the cut-out for the heatsink protrusion

● Shift and removal of a rear side installation frame

One installation frame is attached to each of the upper and lower parts of the inverter. Change the position of the rear side installation frame on the upper and lower sides of the inverter to the front side as shown on the right. When changing the installation frames, make sure that the installation orientation is correct.

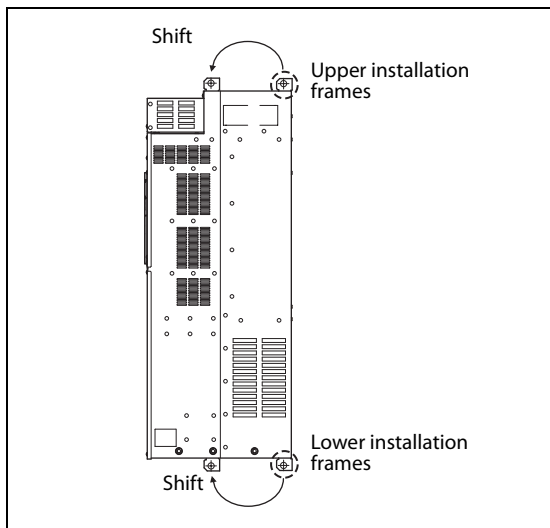


Fig. 2-17: Shift and removal of a rear side installation frame

I002802E

● Installation of the inverter

Push the inverter heatsink portion outside the enclosure and fix the enclosure and inverter with upper and lower installation frame.

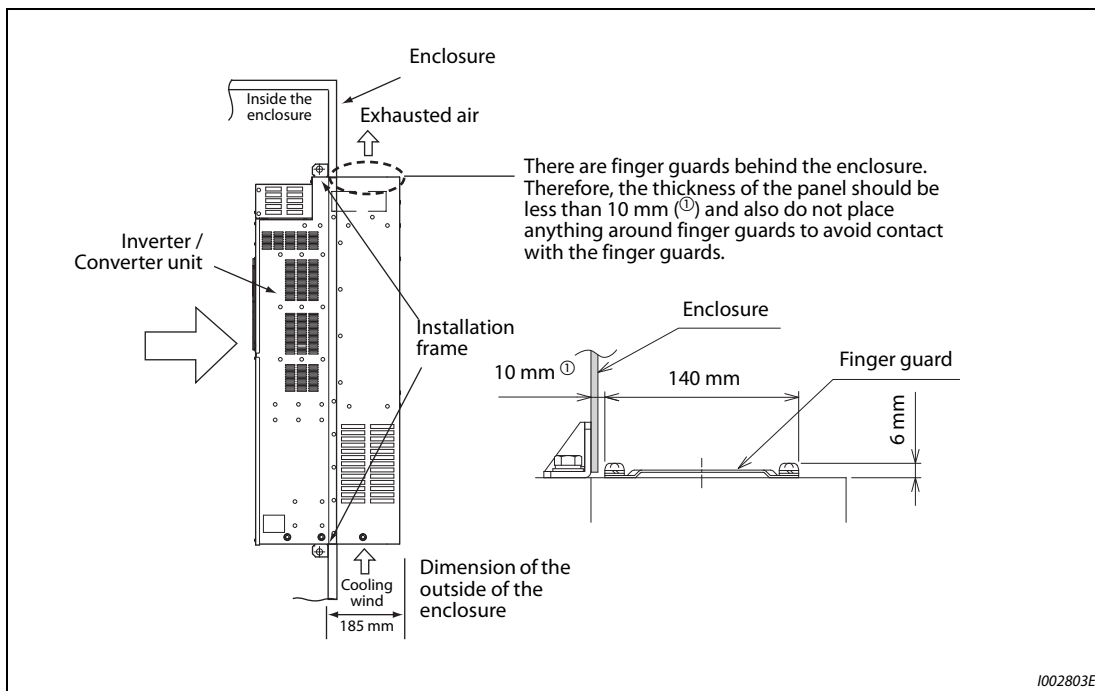


Fig. 2-18: Installation on the control cabinet wall

I002803E

NOTES

Having a cooling fan, the cooling section which comes out of the enclosure cannot be used in the environment of water drops, oil, mist, dust, etc.

Be careful not to drop screws, dust etc. into the inverter and cooling fan section.

2.4 Terminal connection diagrams

2.4.1 CA type

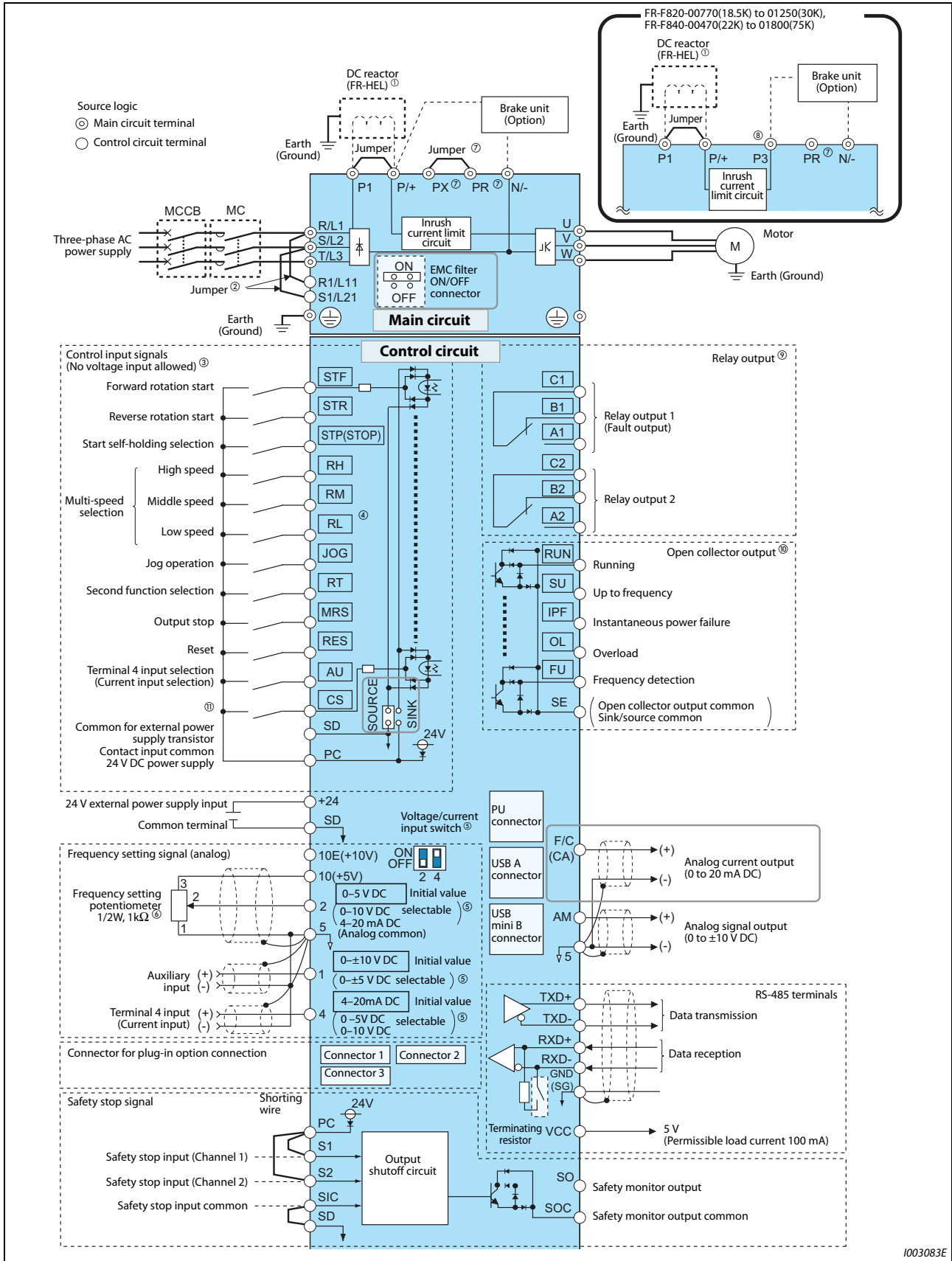


Fig. 2-19: Terminal connection diagram of the inverter (CA type)

- ① For the FR-F820-03160(75K) or higher, the FR-F840-018000(75K) or higher, always connect a DC reactor (FR-HEL), which is available as an option. (To select a DC reactor, refer to page 8-1, and select one according to the applicable motor capacity.)
When a DC reactor is connected to the FR-F820-02330(55K) or lower or the FR-F840-01160(55K) or lower, if a jumper is installed across the terminals P1 and P/+, remove the jumper before installing the DC reactor.
- ② When using separate power supply for the control circuit, remove the jumper between R1/L11 and S1/L21.
- ③ The function of these terminals can be changed with the input terminal assignment (Pr. 178 to Pr. 189). (Refer to page 5-285.)
- ④ Terminal JOG is also used as a pulse train input terminal. Use Pr. 291 to choose JOG or pulse.
- ⑤ Terminal input specifications can be changed by analog input specification switchover (Pr. 73, Pr. 267). To input a voltage, set the voltage/current input switch OFF. To input a current, set the voltage/current input switch ON. (Refer to page 5-255.)
- ⑥ It is recommended to use 2 W, 1k Ω when the frequency setting signal is changed frequently.
- ⑦ Do not use terminals PR and PX. The jumper may or may not be attached depending on the inverter. (Refer to page 2-34.)
- ⑧ Do not connect the DC power supply (under DC feeding mode) to terminal P3.
- ⑨ The function of these terminals can be changed with the output terminal assignment (Pr. 195, Pr. 196). (Refer to page 5-231.)
- ⑩ The function of these terminals can be changed with the output terminal assignment (Pr. 190 to Pr. 194). (Refer to page 5-231.)
- ⑪ No function is assigned in the initial status. Assign the function using Pr. 186 "CS terminal function selection". (Refer to page 5-231.)

NOTES

To prevent a malfunction due to noise, keep the signal cables 10 cm or more away from the power cables. Also, separate the main circuit cables at the input side from the main circuit cables at the output side.

After wiring, wire offcuts must not be left in the inverter.

Wire offcuts can cause an alarm, failure or malfunction. Always keep the inverter clean.

When drilling mounting holes in an enclosure etc., take caution not to allow chips and other foreign matter to enter the inverter.

Set the voltage/current input switch correctly. Incorrect setting may cause a fault, failure or malfunction.

2.4.2 FM type

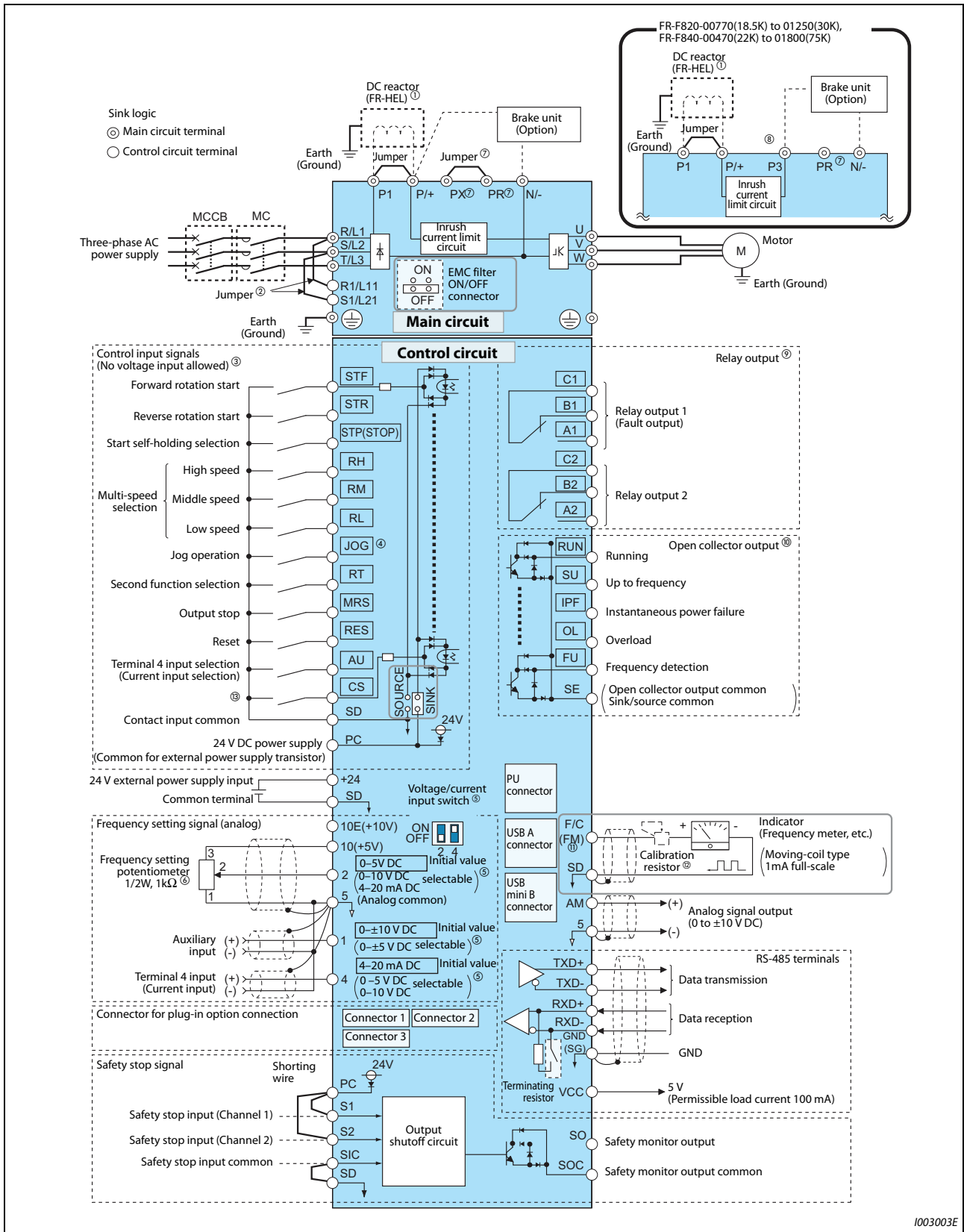


Fig. 2-20: Terminal connection diagram of the inverter (FM type)

- ① For the FR-F820-03160(75K) or higher, the FR-F840-018000(75K) or higher, always connect a DC reactor (FR-HEL), which is available as an option. (To select a DC reactor, refer to page 8-1, and select one according to the applicable motor capacity.)
When a DC reactor is connected to the FR-F820-02330(55K) or lower or the FR-F840-01160(55K) or lower, if a jumper is installed across the terminals P1 and P/+, remove the jumper before installing the DC reactor.
- ② When using separate power supply for the control circuit, remove the jumper between R1/L11 and S1/L21.
- ③ The function of these terminals can be changed with the input terminal assignment (Pr. 178 to Pr. 189). (Refer to page 5-285.)
- ④ Terminal JOG is also used as a pulse train input terminal. Use Pr. 291 to choose JOG or pulse.
- ⑤ Terminal input specifications can be changed by analog input specification switchover (Pr. 73, Pr. 267). To input a voltage, set the voltage/current input switch OFF. To input a current, set the voltage/current input switch ON. (Refer to page 5-255.)
- ⑥ It is recommended to use 2 W, 1 k Ω when the frequency setting signal is changed frequently.
- ⑦ Do not use terminals PR and PX. The jumper may or may not be attached depending on the inverter. (Refer to page 2-34.)
- ⑧ Do not connect the DC power supply (under DC feeding mode) to terminal P3.
- ⑨ The function of these terminals can be changed with the output terminal assignment (Pr. 195, Pr. 196). (Refer to page 5-231.)
- ⑩ The function of these terminals can be changed with the output terminal assignment (Pr. 190 to Pr. 194). (Refer to page 5-231.)
- ⑪ The terminal FM can be used to output pulse trains as open collector output by setting Pr. 291.
- ⑫ Not required when calibrating the scale with the operation panel.
- ⑬ No function is assigned in the initial status. Assign the function using Pr. 186 "CS terminal function selection". (Refer to page 5-231.)

NOTES

To prevent a malfunction due to noise, keep the signal cables 10 cm or more away from the power cables. Also, separate the main circuit cables at the input side from the main circuit cables at the output side.

After wiring, wire offcuts must not be left in the inverter.

Wire offcuts can cause an alarm, failure or malfunction. Always keep the inverter clean.

When drilling mounting holes in an enclosure etc., take caution not to allow chips and other foreign matter to enter the inverter.

Set the voltage/current input switch correctly. Incorrect setting may cause a fault, failure or malfunction.

2.4.3 CA type (FR-F800-E)

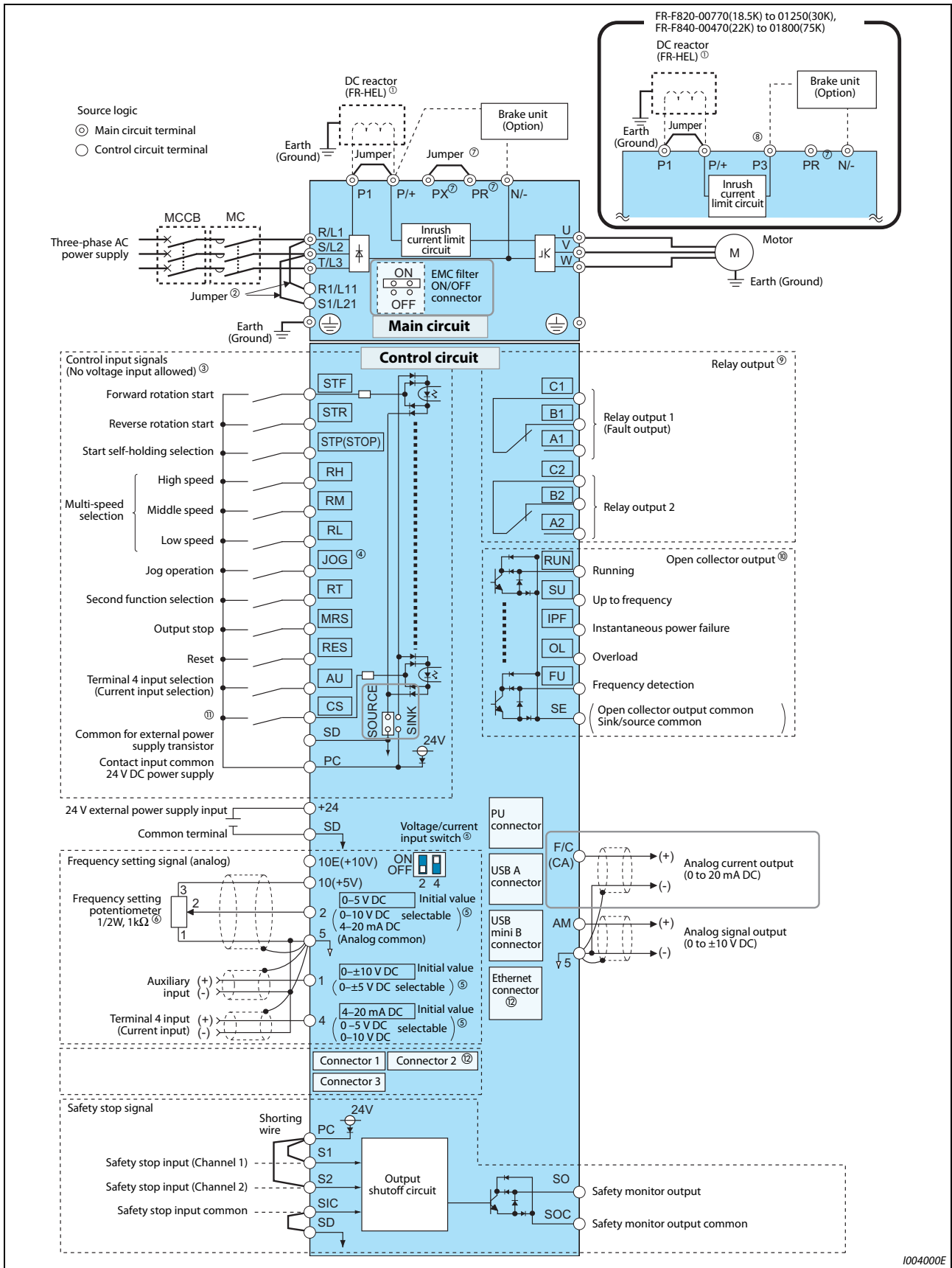


Fig. 2-21: Terminal connection diagram of the inverter (CA type) (FR-F800-E)

- ① For the FR-F820-03160(75K) or higher, the FR-F840-018000(75K) or higher, always connect a DC reactor (FR-HEL), which is available as an option. (To select a DC reactor, refer to page 8-1, and select one according to the applicable motor capacity.)
When a DC reactor is connected to the FR-F820-02330(55K) or lower or the FR-F840-01160(55K) or lower, if a jumper is installed across the terminals P1 and P/+, remove the jumper before installing the DC reactor.
- ② When using separate power supply for the control circuit, remove the jumper between R1/L11 and S1/L21.
- ③ The function of these terminals can be changed with the input terminal assignment (Pr. 178 to Pr. 189). (Refer to page 5-285.)
- ④ Terminal JOG is also used as a pulse train input terminal. Use Pr. 291 to choose JOG or pulse.
- ⑤ Terminal input specifications can be changed by analog input specification switchover (Pr. 73, Pr. 267). To input a voltage, set the voltage/current input switch OFF. To input a current, set the voltage/current input switch ON. (Refer to page 5-255.)
- ⑥ It is recommended to use 2 W, 1 k Ω when the frequency setting signal is changed frequently.
- ⑦ Do not use terminals PR and PX. The jumper may or may not be attached depending on the inverter. (Refer to page 2-34.)
- ⑧ Do not connect the DC power supply (under DC feeding mode) to terminal P3.
- ⑨ The function of these terminals can be changed with the output terminal assignment (Pr. 195, Pr. 196). (Refer to page 5-231.)
- ⑩ The function of these terminals can be changed with the output terminal assignment (Pr. 190 to Pr. 194). (Refer to page 5-231.)
- ⑪ No function is assigned in the initial status. Assign the function using Pr. 186 "CS terminal function selection". (Refer to page 5-231.)
- ⑫ The option connector 2 cannot be used because the Ethernet board is installed in the initial status. The Ethernet board must be removed to install a plug-in option to the option connector 2. (However, Ethernet communication is disabled in that case.)

NOTES

To prevent a malfunction due to noise, keep the signal cables 10 cm or more away from the power cables. Also, separate the main circuit cables at the input side from the main circuit cables at the output side.

After wiring, wire offcuts must not be left in the inverter.
Wire offcuts can cause an alarm, failure or malfunction. Always keep the inverter clean.
When drilling mounting holes in an enclosure etc., take caution not to allow chips and other foreign matter to enter the inverter.

Set the voltage/current input switch correctly. Incorrect setting may cause a fault, failure or malfunction.

2.4.4 FM type (FR-F800-E)

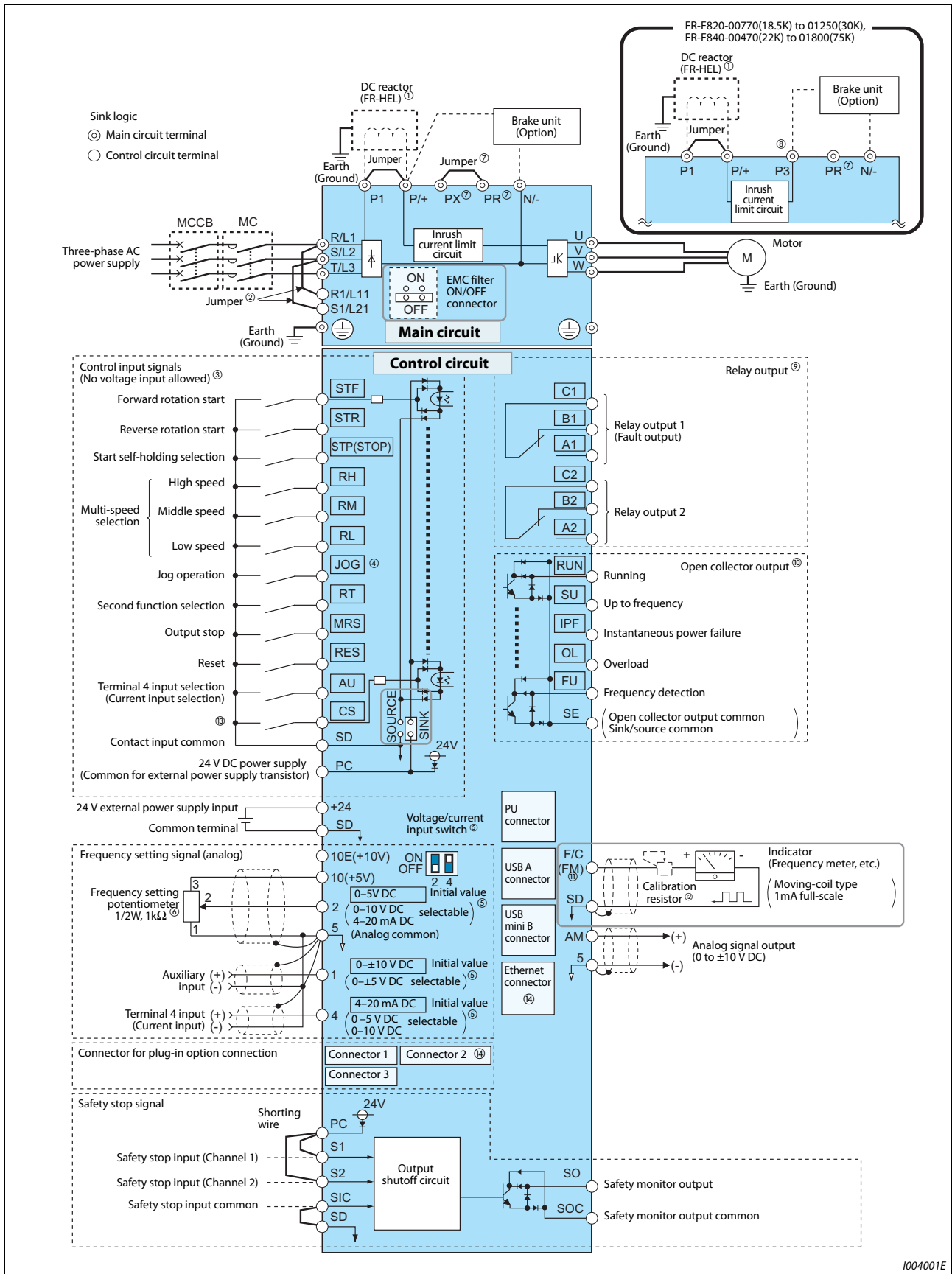


Fig. 2-22: Terminal connection diagram of the inverter (FM type) (FR-F800-E)

- ① For the FR-F820-03160(75K) or higher, the FR-F840-018000(75K) or higher, always connect a DC reactor (FR-HEL), which is available as an option. (To select a DC reactor, refer to page 8-1, and select one according to the applicable motor capacity.)
When a DC reactor is connected to the FR-F820-02330(55K) or lower or the FR-F840-01160(55K) or lower, if a jumper is installed across the terminals P1 and P/+, remove the jumper before installing the DC reactor.
- ② When using separate power supply for the control circuit, remove the jumper between R1/L11 and S1/L21.
- ③ The function of these terminals can be changed with the input terminal assignment (Pr. 178 to Pr. 189). (Refer to page 5-285.)
- ④ Terminal JOG is also used as a pulse train input terminal. Use Pr. 291 to choose JOG or pulse.
- ⑤ Terminal input specifications can be changed by analog input specification switchover (Pr. 73, Pr. 267). To input a voltage, set the voltage/current input switch OFF. To input a current, set the voltage/current input switch ON. (Refer to page 5-255.)
- ⑥ It is recommended to use 2 W, 1 k Ω when the frequency setting signal is changed frequently.
- ⑦ Do not use terminals PR and PX. The jumper may or may not be attached depending on the inverter. (Refer to page 2-34.)
- ⑧ Do not connect the DC power supply (under DC feeding mode) to terminal P3.
- ⑨ The function of these terminals can be changed with the output terminal assignment (Pr. 195, Pr. 196). (Refer to page 5-231.)
- ⑩ The function of these terminals can be changed with the output terminal assignment (Pr. 190 to Pr. 194). (Refer to page 5-231.)
- ⑪ The terminal FM can be used to output pulse trains as open collector output by setting Pr. 291.
- ⑫ Not required when calibrating the scale with the operation panel.
- ⑬ No function is assigned in the initial status. Assign the function using Pr. 186 "CS terminal function selection". (Refer to page 5-231.)
- ⑭ The option connector 2 cannot be used because the Ethernet board is installed in the initial status. The Ethernet board must be removed to install a plug-in option to the option connector 2. (However, Ethernet communication is disabled in that case.)

NOTES


To prevent a malfunction due to noise, keep the signal cables 10 cm or more away from the power cables. Also, separate the main circuit cables at the input side from the main circuit cables at the output side.

After wiring, wire offcuts must not be left in the inverter.
Wire offcuts can cause an alarm, failure or malfunction. Always keep the inverter clean.
When drilling mounting holes in an enclosure etc., take caution not to allow chips and other foreign matter to enter the inverter.

Set the voltage/current input switch correctly. Incorrect setting may cause a fault, failure or malfunction.

2.5 Main circuit terminals

2.5.1 Details on the main circuit terminals

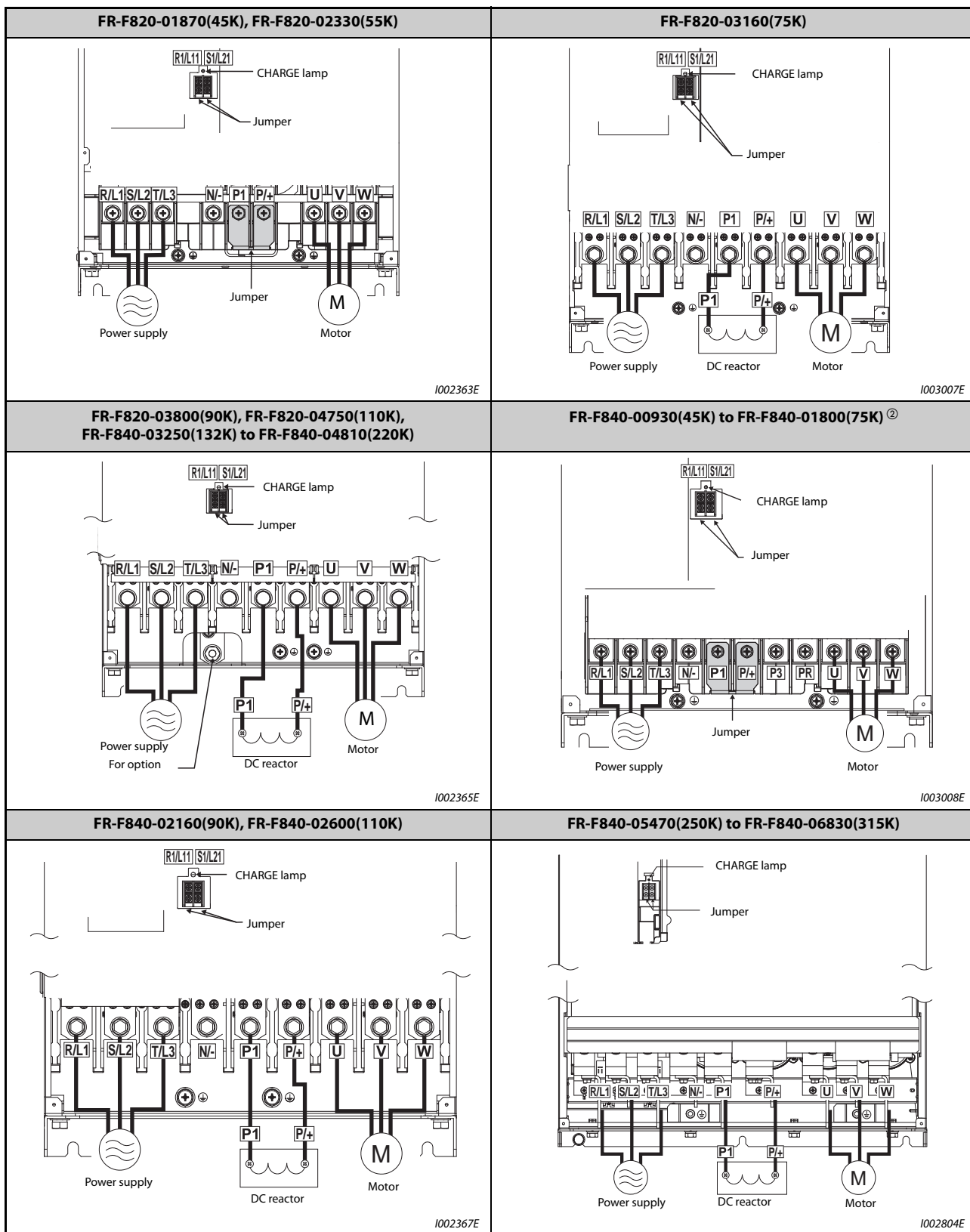
Terminal symbol	Terminal name	Terminal function description	Refer to page
R/L1, S/L2, T/L3	AC power input	Connect these terminals to the commercial power supply. Do not connect anything to these terminals when using the high power factor converter (FR-HC2) or the power regeneration common converter (FR-CV).	—
U, V, W	Inverter output	Connect these terminals to a three-phase squirrel cage motor or a PM motor.	—
R1/L11, S1/L21	Power supply for the control circuit	Connected to the AC power supply terminals R/L1 and S/L2. To retain the fault display and fault output, or to use a high power factor converter (FR-HC2) or a power regeneration common converter (FR-CV), remove the jumpers across terminals R/L1 and R1/L11 and across S/L2 and S1/L21, and supply external power to these terminals. The power capacity necessary when separate power is supplied from R1/L11 and S1/L21 differs according to the inverter capacity. FR-F820-00630(15K) or lower, FR-F840-00380(18.5K) or lower: 60 VA FR-F820-00770(18.5K) or higher, FR-F840-00470(22K) or higher: 80 VA	2-58
P/+, N/-	Brake unit connection	Connect the brake unit (FR-BU2, FR-BU, BU), power regeneration common converter (FR-CV), power regeneration converter (MT-RC), high power factor converter (FR-HC2), or DC power supply (under DC feeding mode).	2-71
P3, N/-	Brake unit connection FR-F820-00770(18.5K) to 01250(30K) FR-F840-00470(22K) to 01800(75K)	When connecting multiple inverters, FR-F820-00770(18.5K) to 01250(30K) or FR-F840-00470(22K) to 01800(75K), in parallel using the FR-CV, or FR-HC2, always use either of the terminal P/+ or P3 for the connection. (Do not use the terminals P/+ and P3 together.) Do not connect the DC power supply between terminals P3 and N/-. Use terminals P/+ and N/- for DC feeding.	
P/+, P1	DC reactor connection FR-F820-02330(55K) or lower FR-F840-01160(55K) or lower	Remove the jumper across terminals P/+ and P1, and connect a DC reactor. When a DC reactor is not connected, the jumper across terminals P/+ and P1 should not be removed.	2-80
	DC reactor connection FR-F820-03160(75K) or higher FR-F840-01800(75K) or higher	Always connect a DC reactor, which is available as an option.	
PR, PX		Do not use terminals PX and PR. The terminal PX is equipped in the FR-F820-00490(11K) or lower and the FR-F840-00250(11K) or lower. The terminal PR is equipped in the FR-F820-01250(30K) or lower and the FR-F840-01800(75K) or lower.	
	Earth (ground)	For earthing (grounding) the inverter chassis. This must be earthed (grounded).	2-44

Tab. 2-9: Specification of main circuit terminal

2.5.2 Terminal layout of the main circuit terminals, wiring of power supply and the motor

<p>FR-F820-00046(0.75K), FR-F820-00077(1.5K)</p> <p>Power supply Motor CHARGE lamp</p> <p style="text-align: right;">1003005E</p>	<p>FR-F820-00105(2.2K) to FR-F820-002505.5K) FR-F840-00023(0.75K) to FR-F840-00126(5.5K)</p> <p>Power supply Motor CHARGE lamp</p> <p style="text-align: right;">1003006E</p>
<p>FR-F820-00340(7.5K), FR-F820-00490(11K) FR-F840-00170(7.5K), FR-F840-00250(11K)</p> <p>Power supply Motor CHARGE lamp</p> <p style="text-align: right;">1002359E</p>	<p>FR-F820-00630(15K) FR-F840-00310(15K), FR-F840-00380(18.5K)</p> <p>Power supply Motor CHARGE lamp</p> <p style="text-align: right;">1002360E</p>
<p>FR-F820-00770(18.5K) to FR-F820-01250(30K) FR-F840-00470(22K), FR-F840-00620(30K)</p> <p>Power supply Motor CHARGE lamp</p> <p style="text-align: right;">1002361E</p>	<p>FR-F820-01540(37K) ① FR-F840-00770(37K)</p> <p>Power supply Motor CHARGE lamp</p> <p style="text-align: right;">1002362E</p>

Tab. 2-10: Terminal layout and wiring (1)



Tab. 2-10: Terminal layout and wiring (2)

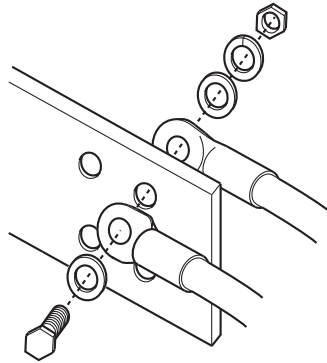
- ① Terminals P3 and PR of the FR-F820-01540(37K) are not provided with a screw. Do not connect anything to this.
- ② For FR-F840-01800(75K), a jumper is not installed across the terminals P1 and P/+. Always connect a DC reactor (FR-HEL), which is available as an option, across the terminals P1 and P/+.

NOTES

Make sure the power cables are connected to the R/L1, S/L2, and T/L3. (Phase need not be matched.) Never connect the power cable to the U, V, and W of the inverter. Doing so will damage the inverter.

Connect the motor to U, V, and W. The phase need to be matched.

When wiring the inverter main circuit conductor of the FR-F840-05470(250K) or higher, tighten a nut from the right side of the conductor. When wiring two wires, place wires on both sides of the conductor. (Refer to the drawing.) For wiring, use bolts (nuts) provided with the inverter.

**Handling of the wiring cover**

(FR-F820-00630(15K) to 00930(22K), FR-F840-00310(15K) to 00620(30K))

For the hook of the wiring cover, cut off the necessary parts using a pair of needle-nose pliers etc.

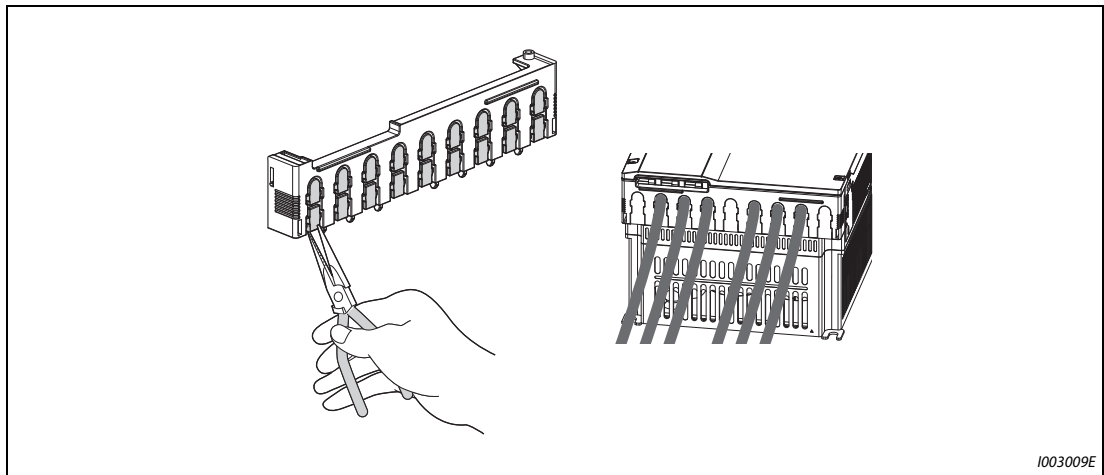


Fig. 2-23: Combed shaped wiring cover

NOTE

Cut off the same number of lugs as wires. If parts where no wire is put through have been cut off (10 mm or more), protective structure (JEM1030) becomes an open type (IP00).

2.5.3 Applicable cables and the wiring length

Select a recommended cable size to ensure that a voltage drop will be 2% or less. If the wiring distance is long between the inverter and motor, a voltage drop in the main circuit wires will cause the motor torque to decrease especially at a low speed.

The following table indicates a selection example for the wiring length of 20 m.

LD rating (Pr. 570 "Multiple rating setting" = "1")

- 200 V class (220 V input power supply)

Applicable inverter model FR-F820-□	Terminal screw size ④	Tightening torque Nm	Crimping terminal		Cable gauge								
					HIV cables, etc. (mm ²) ①				AWG/MCM ②		PVC cables, etc. (mm ²) ③		
			R/L1, S/L2, T/L3	U, V, W	R/L1, S/L2, T/L3	U, V, W	P/+ , P1	Earthing (grounding) cable	R/L1, S/L2, T/L3	U, V, W	R/L1, S/L2, T/L3	U, V, W	Earthing (grounding) cable
00046(0.75K) to 00105(2.2K)	M4	1.5	2-4	2-4	2	2	2	2	14	14	2.5	2.5	2.5
00167(3.7K)	M4	1.5	5.5-4	5.5-4	3.5	3.5	3.5	3.5	12	12	4	4	4
00250(5.5K)	M4	1.5	5.5-4	5.5-4	5.5	5.5	5.5	5.5	10	10	6	6	6
00340(7.5K)	M5	2.5	14-5	8-5	14	8	14	5.5	6	8	16	10	16
00490(11K)	M5	2.5	14-5	14-5	14	14	14	8	6	6	16	16	16
00630(15K)	M5	2.5	22-5	22-5	22	22	22	14	4	4	25	25	16
00770(18.5K)	M6	4.4	38-6	38-6	38	38	38	14	2	2	35	35	25
00930(22K)	M8(M6)	7.8	38-8	38-8	38	38	38	22	2	2	35	35	25
01250(30K)	M8(M6)	7.8	60-8	60-8	60	60	60	22	1/0	1/0	50	50	25
01540(37K)	M8(M6)	7.8	80-8	80-8	80	80	80	22	3/0	3/0	70	70	35
01870(45K)	M10(M8)	14.7	100-10	100-10	100	100	100	38	4/0	4/0	95	95	50
02330(55K)	M10(M8)	14.7	100-10	100-10	100	100	100	38	4/0	4/0	95	95	50
03160(75K)	M12(M8)	24.5	150-12	150-12	125	125	150	38	250	250	—	—	—
03800(90K)	M12(M8)	24.5	150-12	150-12	150	150	2×100	38	2×4/0	2×4/0	—	—	—
04750(110K)	M12(M8)	24.5	100-12	100-12	150	150	2×100	38	2×4/0	2×4/0	—	—	—

Tab. 2-11: Cable size (200 V class), LD rating

● 400 V class (440 V input power supply)

Applicable inverter model FR-F840-□	Terminal screw size ④	Tightening torque Nm	Crimping terminal		Cable gauge								
					HIV cables, etc. (mm ²) ①				AWG/MCM ②		PVC cables, etc. (mm ²) ③		
			R/L1, S/L2, T/L3	U, V, W	R/L1, S/L2, T/L3	U, V, W	P/+ , P1	Earthing (ground- ing) cable	R/L1, S/L2, T/L3	U, V, W	R/L1, S/L2, T/L3	U, V, W	Earthing (ground- ing) cable
00023(0.75K) to 00083(3.7K)	M4	1.5	2-4	2-4	2	2	2	2	14	14	2.5	2.5	2.5
00126(5.5K)	M4	1.5	2-4	2-4	2	2	3.5	3.5	12	14	2.5	2.5	4
00170(7.5K)	M4	1.5	5.5-4	5.5-4	3.5	3.5	3.5	3.5	12	12	4	4	4
00250(11K)	M4	1.5	5.5-4	5.5-4	5.5	5.5	5.5	5.5	10	10	6	6	10
00310(15K)	M5	2.5	8-5	8-5	8	8	8	5.5	8	8	10	10	10
00380(18.5K)	M5	2.5	14-5	8-5	14	8	14	8	6	8	16	10	16
00470(22K)	M6	4.4	14-6	14-6	14	14	22	14	6	6	16	16	16
00620(30K)	M6	4.4	22-6	22-6	22	22	22	14	4	4	25	25	16
00770(37K)	M6	4.4	22-6	22-6	22	22	22	14	4	4	25	25	16
00930(45K)	M8	7.8	38-8	38-8	38	38	38	22	1	2	50	50	25
01160(55K)	M8	7.8	60-8	60-8	60	60	60	22	1/0	1/0	50	50	25
01800(75K)	M8	7.8	60-8	60-8	60	60	60	22	1/0	1/0	50	50	25
02160(90K)	M10	14.7	60-10	60-10	60	60	60	22	1/0	1/0	50	50	25
02600(110K)	M10	14.7	80-10	80-10	80	80	80	22	3/0	3/0	70	70	35
03250(132K)	M10(M12)	14.7	100-10	100-10	100	100	100	38	4/0	4/0	95	95	50
03610(160K)	M10(M12)	14.7	150-10	150-10	125	125	100	38	250	250	120	120	70
04320(185K)	M12(M10)	24.5	150-12	150-12	150	150	150	38	300	300	150	150	95
04810(220K)	M12(M10)	24.5	100-12	100-12	2×100	2×100	2×100	60	2×4/0	2×4/0	2×95	2×95	95
05470(250K)	M12(M10)	46	100-12	100-12	2×100	2×100	2×100	60	2×4/0	2×4/0	2×95	2×95	95
06100(280K)	M12(M10)	46	150-12	150-12	2×125	2×125	2×125	60	2×250	2×250	2×120	2×120	120
06830(315K)	M12(M10)	46	150-12	150-12	2×150	2×150	2×125	60	2×300	2×300	2×150	2×150	150

Tab. 2-12: Cable size (400 V class), LD rating

- ① For the FR-F820-02330(55K) or lower and FR-F840-01160(55K) or lower, it is the gauge of a cable with the continuous maximum permissible temperature of 75 °C (HIV cable (600 V grade heat-resistant PVC insulated wire), etc.). It assumes a surrounding air temperature of 50 °C or lower and the wiring distance of 20 m or shorter.
For the FR-F820-03160(75K) or higher, FR-F840-01800(75K) or higher, it is the gauge of the cable with the continuous maximum permissible temperature of 90 °C or higher. (LMFC (heat resistant flexible cross-linked polyethylene insulated cable), etc.). It assumes a surrounding air temperature of 50 °C or lower and in-enclosure wiring.
- ② For all the 200 V class capacities and FR-F840-00930(45K) or lower, it is the gauge of a cable with the continuous maximum permissible temperature of 75 °C (THHW cable). It assumes a surrounding air temperature of 40°C or lower and the wiring distance of 20 m or shorter.
For the FR-F840-01160(55K) or higher, it is the gauge of a cable with the continuous maximum permissible temperature of 90°C (THHN cable). It assumes a surrounding air temperature of 40 °C or lower and in-enclosure wiring.
(Selection example for use mainly in the United States.)
- ③ For the FR-F820-00770(18.5K) or lower and the FR-F840-00930(45K) or lower, it is the gauge of a cable with the continuous maximum permissible temperature of 70 °C (PVC cable). It assumes a surrounding air temperature of 40 °C or lower and the wiring distance of 20 m or shorter.
For the FR-F820-00930(22K) or higher and the FR-F840-01160(55K) or higher, it is the gauge of a cable with the continuous maximum permissible temperature of 90 °C (XLPE cable). It assumes a surrounding air temperature of 40 °C or lower and in-enclosure wiring. (Selection example for use mainly in Europe.)
- ④ The terminal screw size indicates the size of terminal screw for R/L1, S/L2, T/L3, U, V, W, P/+, N/–, P1, and a screw for earthing (grounding).
The screw size for earthing (grounding) of FR-F820-00930(22K) or higher and FR-F840-04320(185K) or higher is indicated in parentheses.
A screw size for P/+ terminal for option connection of the FR-F840-03250(132K) and FR-F840-03610(160K) is indicated in parentheses.

SLD rating (Pr. 570 "Multiple rating setting" = "0")

- 200 V class (220 V input power supply)

Applicable inverter model FR-F820-□	Terminal screw size ④	Tightening torque Nm	Crimping terminal		Cable gauge								
					HIV cables, etc. (mm ²) ①				AWG/MCM ②		PVC cables, etc. (mm ²) ③		
			R/L1, S/L2, T/L3	U, V, W	R/L1, S/L2, T/L3	U, V, W	P/+, P1	Earthing (grounding) cable	R/L1, S/L2, T/L3	U, V, W	R/L1, S/L2, T/L3	U, V, W	Earthing (grounding) cable
00046(0.75K) to 00105(2.2K)	M4	1.5	2-4	2-4	2	2	2	2	14	14	2.5	2.5	2.5
00167(3.7K)	M4	1.5	5.5-4	5.5-4	3.5	3.5	3.5	3.5	12	12	4	4	4
00250(5.5K)	M4	1.5	5.5-4	5.5-4	5.5	5.5	5.5	5.5	10	10	6	6	6
00340(7.5K)	M5	2.5	14-5	8-5	14	8	14	5.5	6	8	16	10	16
00490(11K)	M5	2.5	14-5	14-5	14	14	14	8	6	6	16	16	16
00630(15K)	M5	2.5	22-5	22-5	22	22	22	14	4	4	25	25	16
00770(18.5K)	M6	4.4	38-6	38-6	38	38	38	14	2	2	50	50	25
00930(22K)	M8(M6)	7.8	38-8	38-8	38	38	38	22	2	2	50	50	25
01250(30K)	M8(M6)	7.8	60-8	60-8	60	60	60	22	1/0	1/0	50	50	25
01540(37K)	M8(M6)	7.8	80-8	80-8	80	80	80	22	3/0	3/0	70	70	35
01870(45K)	M10(M8)	14.7	100-10	100-10	100	100	100	38	4/0	4/0	95	95	50
02330(55K)	M10(M8)	14.7	100-10	100-10	100	100	100	38	4/0	4/0	95	95	50
03160(75K)	M12(M8)	24.5	150-12	150-12	125	125	150	38	250	250	—	—	—
03800(90K)	M12(M8)	24.5	100-12	100-12	150	150	2×100	38	2×4/0	2×4/0	—	—	—
04750(110K)	M12(M8)	24.5	100-12	100-12	2×100	2×100	2×100	60	2×4/0	2×4/0	—	—	—

Tab. 2-13: Cable size (200 V class), SLD rating

- 400 V class (440 V input power supply)

Applicable inverter model FR-F840-□	Terminal screw size ④	Tightening torque Nm	Crimping terminal		Cable gauge								
					HIV cables, etc. (mm ²) ①				AWG/MCM ②		PVC cables, etc. (mm ²) ③		
			R/L1, S/L2, T/L3	U, V, W	R/L1, S/L2, T/L3	U, V, W	P/+, P1	Earthing (grounding) cable	R/L1, S/L2, T/L3	U, V, W	R/L1, S/L2, T/L3	U, V, W	Earthing (grounding) cable
00023(0.75K) to 00083(3.7K)	M4	1.5	2-4	2-4	2	2	2	2	14	14	2.5	2.5	2.5
00126(5.5K)	M4	1.5	2-4	2-4	2	2	3.5	3.5	12	14	2.5	2.5	4
00170(7.5K)	M4	1.5	5.5-4	5.5-4	3.5	3.5	3.5	3.5	12	12	4	4	4
00250(11K)	M4	1.5	5.5-4	5.5-4	5.5	5.5	5.5	5.5	10	10	6	6	10
00310(15K)	M5	2.5	8-5	8-5	8	8	8	5.5	8	8	10	10	10
00380(18.5K)	M5	2.5	14-5	8-5	14	8	14	8	6	8	16	10	16
00470(22K)	M6	4.4	14-6	14-6	14	14	22	14	6	6	16	16	16
00620(30K)	M6	4.4	22-6	22-6	22	22	22	14	4	4	25	25	16
00770(37K)	M6	4.4	22-6	22-6	22	22	22	14	4	4	25	25	16
00930(45K)	M8	7.8	38-8	38-8	38	38	38	22	1	2	50	50	25
01160(55K)	M8	7.8	60-8	60-8	60	60	60	22	1/0	1/0	50	50	25
01800(75K)	M8	7.8	60-8	60-8	60	60	60	22	1/0	1/0	50	50	25
02160(90K)	M10	14.7	80-10	80-10	80	80	80	22	3/0	3/0	70	70	35
02600(110K)	M10	14.7	100-10	100-10	100	100	100	38	4/0	4/0	95	95	50
03250(132K)	M10(M12)	14.7	150-10	150-10	125	125	100	38	250	250	120	120	120
03610(160K)	M10(M12)	14.7	150-10	150-10	150	150	150	38	300	300	150	150	95
04320(185K)	M12(M10)	24.5	100-12	100-12	2×100	2×100	2×100	60	2×4/0	2×4/0	2×95	2×95	95
04810(220K)	M12(M10)	24.5	100-12	100-12	2×100	2×100	2×100	60	2×4/0	2×4/0	2×95	2×95	95
05470(250K)	M12(M10)	46	150-12	150-12	2×125	2×125	2×125	60	2×250	2×250	2×120	2×120	120
06100(280K)	M12(M10)	46	150-12	150-12	2×150	2×150	2×125	60	2×300	2×300	2×150	2×150	150
06830(315K)	M12(M10)	46	200-12	200-12	2×200	2×200	2×150	100	2×350	2×350	2×185	2×185	2×95

Tab. 2-14: Cable size (400 V class), SLD rating

- ① For all the 200 V class capacities and FR-F840-01160(55K) or lower, it is the gauge of a cable with the continuous maximum permissible temperature of 75 °C (HIV cable (600 V grade heat-resistant PVC insulated wire), etc.). It assumes a surrounding air temperature of 50 °C or lower and the wiring distance of 20 m or shorter.
For the FR-F840-01800(75K) or higher, it is the gauge of the cable with the continuous maximum permissible temperature of 90 °C or higher. (LMFC (heat resistant flexible cross-linked polyethylene insulated cable), etc.). It assumes a surrounding air temperature of 50 °C or lower and in-enclosure wiring.
- ② For all the 200 V class capacities and FR-F840-00930(45K) or lower, it is the gauge of a cable with the continuous maximum permissible temperature of 75 °C (THHW cable). It assumes a surrounding air temperature of 40°C or lower and the wiring distance of 20 m or shorter.
For the FR-F840-01160(55K) or higher, it is the gauge of a cable with the continuous maximum permissible temperature of 90°C (THHN cable). It assumes a surrounding air temperature of 40 °C or lower and in-enclosure wiring.
(Selection example for use mainly in the United States.)
- ③ For the FR-F820-00930(22K) or lower and the FR-F840-00930(45K) or lower, it is the gauge of a cable with the continuous maximum permissible temperature of 70 °C (PVC cable). It assumes a surrounding air temperature of 40 °C or lower and the wiring distance of 20 m or shorter.
For the FR-F820-01250(30K) or higher and the FR-F840-01160(55K) or higher, it is the gauge of a cable with the continuous maximum permissible temperature of 90 °C (XLPE cable). It assumes a surrounding air temperature of 40 °C or lower and in-enclosure wiring. (Selection example for use mainly in Europe.)
- ④ The terminal screw size indicates the size of terminal screw for R/L1, S/L2, T/L3, U, V, W, P/+, N/–, P1, and a screw for earthing (grounding).
The screw size for earthing (grounding) of FR-F820-00930(22K) or higher and FR-F840-04320(185K) or higher is indicated in parentheses.
A screw size for P/+ terminal for option connection of the FR-F840-03250(132K) and FR-F840-03610(160K) is indicated in parentheses.

The line voltage drop can be calculated by the following formula:

$$\text{Line voltage drop [V]} = \frac{\sqrt{3} \times \text{wire resistance [m}\Omega\text{/m]} \times \text{wiring distance [m]} \times \text{current [A]}}{1000}$$

Use a larger diameter cable when the wiring distance is long or when it is desired to decrease the voltage drop (torque reduction) in the low speed range.

NOTES

- ⌋ Tighten the terminal screw to the specified torque.
- ⌋ A screw that has been tightened too loosely can cause a short circuit or malfunction.
- ⌋ A screw that has been tightened too tightly can cause a short circuit or malfunction due to the unit breakage.
- ⌋ Use crimping terminals with insulation sleeves to wire the power supply and motor.

Total wiring length

- With induction motor

Connect one or more induction motors within the total wiring length shown in the following table.

Pr. 72 setting (carrier frequency)	FR-F820-00046(0.75K) FR-F840-00023(0.75K)	FR-F820-00077(1.5K) FR-F840-00038(1.5K)	FR-F820-00105(2.2K) or higher FR-F840-00052(2.2K) or higher
2 (2 kHz) or lower	300 m	500 m	500 m
3 (3 kHz) or higher	200 m	300 m	500 m

Tab. 2-15: Total wiring length

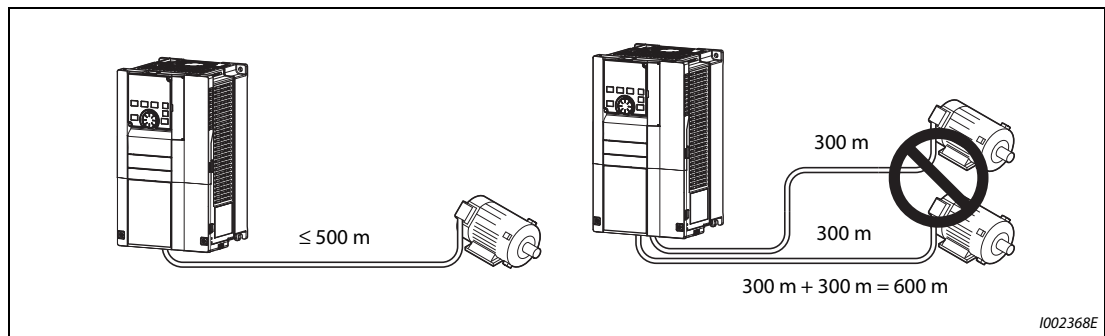


Fig. 2-24: Total wiring length (FR-F820-00105(2.2K) or higher, FR-F840-00052(2.2K) or higher)

When driving a 400 V class motor by the inverter, surge voltages attributable to the wiring constants may occur at the motor terminals, deteriorating the insulation of the motor. In this case, take one of the following measures.

- Use a "400 V class inverter-driven insulation-enhanced motor" and set Pr. 72 "PWM frequency selection" according to the wiring length.

	Wiring length		
	≤ 50 m	50 m–100 m	≥ 100 m
Pr. 72 setting	≤ 15 (14.5 kHz)	≤ 9 (9 kHz)	≤ 4 (4 kHz)

Tab. 2-16: PWM frequency

- For the FR-F820-01160(55K) or lower and the FR-F840-01800(75K) or lower, connect a surge voltage suppression filter (FR-ASF-H/FR-BMF-H) at the output side of the inverter. For the FR-F840-01800(75K) or higher, connect a sine wave filter (MT-BSL/BSC) at the output side of the inverter.

● With PM motor

Use the following wiring length or shorter when connecting a PM motor.

Voltage class	Pr. 72 setting (carrier frequency)	FR-F820-00077(1.5K) or lower, FR-F840-00038(1.5K) or lower	FR-F820-00105(2.2K) or higher, FR-F840-00052(2.2K) or higher
200 V	0 (2 kHz) to 15 (14 kHz)	100 m	100 m
400 V	≤ 5 (2 kHz)	100 m	100 m
	6 to 9 (6 kHz)	50 m	100 m
	≥ 10 (10 kHz)	50 m	50 m

Tab. 2-17: Total wiring length (with PM motor)

Use one PM motor for one inverter. Multiple PM motors cannot be connected to an inverter.

NOTES

Especially for long-distance wiring or wiring with shielded cables, the inverter may be affected by a charging current caused by stray capacitances of the wiring, leading to an activation of the over-current protection, malfunction of the fast-response current limit operation, or even to an inverter failure. It may also cause a malfunction or fault of the equipment connected ON the inverter output side. Stray capacitances of the wiring differ by the installation condition, use the total wiring length in the table above as reference values. If the fast-response current limit function malfunctions, disable this function. (Refer to Pr. 156 "Stall prevention operation selection" on page 5-180.)

A surge voltage suppression filter (FR-ASF-H/FR-BMF-H) can be used under V/F control and Advanced magnetic flux vector control. A sine wave filter (MT-BSL/BSC) can be used under V/F control. Do not use the filters under different control methods.

For the details of Pr. 72 "PWM frequency selection", refer to page 5-88.

For the details of the surge voltage suppression filter (FR-ASF-H/FR-BMF-H) and the sine wave filter (MT-BSL/BSC), refer to the Instruction Manual of each option.

Refer to page 3-19 to drive a 400V class motor by an inverter.

2.5.4 Earthing (grounding) precautions

Always earth (ground) the motor and inverter.

Purpose of earthing (grounding)

Generally, an electrical apparatus has an earth (ground) terminal, which must be connected to the ground before use.

An electrical circuit is usually insulated by an insulating material and encased. However, it is impossible to manufacture an insulating material that can shut off a leakage current completely, and actually, a slight current flows into the case. The purpose of earthing (grounding) the case of an electrical apparatus is to prevent operators from getting an electric shock from this leakage current when touching it.

To avoid the influence of external noises, this earthing (grounding) is important to audio equipment, sensors, computers and other apparatuses that handle low-level signals or operate very fast.

Earthing (grounding) methods and earthing (grounding) work

As described previously, earthing (grounding) is roughly classified into an electrical shock prevention type and a noise-influenced malfunction prevention type. Therefore, these two types should be clearly distinguished, and the following work must be done to prevent the leakage current having the inverter's high frequency components from entering the malfunction prevention type earthing (grounding):

- Whenever possible, use the independent earthing (grounding) for the inverter.
If independent earthing (grounding) (I) is not available, use (II) common earthing (grounding) in the figure below where the inverter is connected with the other equipment at an earthing (grounding) point. Do not use the other equipment's earthing (grounding) cable to earth (ground) the inverter as shown in (III).
A leakage current containing many high frequency components flows into the earthing (grounding) cables of the inverter and peripheral devices. Because of this, the inverter must be earthed (grounded) separately from EMI-sensitive devices.
In a high building, it may be effective to use the EMI prevention type earthing (grounding) connecting to an iron structure frame, and electric shock prevention type earthing (grounding) with the independent earthing (grounding) together.
- This inverter must be earthed (grounded). Earthing (Grounding) must conform to the requirements of national and local safety regulations and electrical codes. (NEC section 250, IEC 536 class 1 and other applicable standards).
A neutral-point earthed (grounded) power supply for 400 V class inverter in compliance with EN standard must be used.
- Use the thickest possible earthing (grounding) cable. The earthing (grounding) cable should be the size indicated in the table on page 2-37.
- The earthing (grounding) point should be as close as possible to the inverter, and the earth (ground) wire length should be as short as possible.
- Run the earthing (grounding) cable as far away as possible from the I/O wiring of equipment sensitive to noises and run them in parallel in the minimum distance.

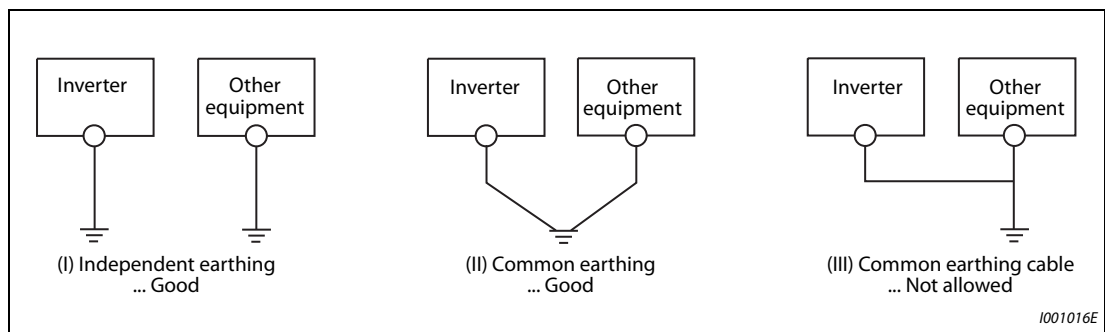


Fig. 2-25: Earthing the drive

NOTE

To be compliant with the EU Directive (Low Voltage Directive), refer to the Installation Guideline.

2.6 Control circuit

2.6.1 Details on the control circuit terminals

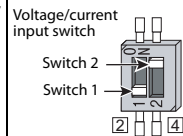
Input signal function of the terminals in grey shaded fields can be selected by setting Pr. 178 to Pr. 196 (I/O terminal function selection). (Refer to page 5-285.)

Input signal

Type	Terminal symbol	Terminal name	Terminal function description		Rated specification	Refer to page
Contact input	STF	Forward rotation start	Turn ON the STF signal to start forward rotation and turn it OFF to stop.	When the STF and STR signals are turned ON simultaneously, the stop command is given.	Input resistance 4.7 kΩ Voltage when contacts are open: 21 to 27 V DC When contacts are short-circuited: 4 to 6 mA DC	5-293
	STR	Reverse rotation start	Turn ON the STR signal to start reverse rotation and turn it OFF to stop.			
	STP (STOP)	Start self-holding selection	Turn ON the STP (STOP) signal to self-hold the start signal.			
	RH, RM, RL	Multi-speed selection	Multi-speed can be selected according to the combination of RH, RM and RL signals.			5-146
	JOG	Jog mode selection	Turn ON the JOG signal to enable JOG operation (initial setting) and turn ON the start signal (STF or STR) to start JOG operation.			5-144
		Pulse train input	Terminal JOG is also used as a pulse train input terminal. To use as a pulse train input terminal, change the Pr. 291 setting. (maximum input pulse: 100k pulses/s)		Input resistance 2 kΩ When contacts are short-circuited: 8 to 13 mA DC	5-140
	RT	Second function selection	Turn ON the RT signal to enable the second function. When the second function such as "second torque boost" and "second V/F (base frequency)" is set, turning ON the RT signal enables the selected function.			5-291
	MRS	Output stop	Turn ON the MRS signal (20 ms or more) to stop the inverter output. Use this signal to shut off the inverter output when stopping the motor with an electromagnetic brake.		Input resistance 4.7 kΩ Voltage when contacts are open: 21 to 27 V DC When contacts are short-circuited: 4 to 6 mA DC	5-289
	RES	Reset	Use this signal to reset a fault output provided when a protective function is activated. Turn ON the RES signal for 0.1 s or longer, then turn it OFF. In the initial setting, reset is set always-enabled. By setting Pr. 75, reset can be set enabled only at fault occurrence. The inverter recovers about 1 s after the reset is released.			5-63
	AU	Terminal 4 input selection	The terminal 4 function is available only when the AU signal is turned ON. Turning the AU signal ON makes terminal 2 invalid.			5-255
	CS	No function	Use Pr. 186 "CS terminal function selection" for function assignment.			—
	SD	Contact input common (sink) ②	Common terminal for the contact input terminal (sink logic), terminal FM.		—	—
External transistor common (source) ③		Connect this terminal to the power supply common terminal of a transistor output (open collector output) device, such as a programmable controller, in the source logic to avoid malfunction by undesirable current.				
24 V DC power supply common		Common terminal for the 24 V DC power supply (terminal PC, terminal +24) Isolated from terminals 5 and SE.				

Tab. 2-18: Input signals (1)

Type	Terminal symbol	Terminal name	Terminal function description	Rated specification	Refer to page
Contact input	PC	External transistor common (sink) ②	Connect this terminal to the power supply common terminal of a transistor output (open collector output) device, such as a programmable controller, in the sink logic to avoid malfunction by undesirable currents.	Power supply voltage range 19.2 to 28.8 V DC Permissible load current 100 mA	2-51
		Contact input common (source) ③	Common terminal for contact input terminal (source logic).		
		24 V DC power supply	Can be used as 24 V DC 0.1 A power supply.		
Frequency setting	10E	Frequency setting power supply	When connecting the frequency setting potentiometer at an initial status, connect it to the terminal 10.	10 V DC ± 0.4 V Permissible load current 10 mA	5-255
	10		Change the input specifications of the terminal 2 using Pr. 73 when connecting it to the terminal 10E.	5 V DC ± 0.5 V Permissible load current 10 mA	5-255
	2	Frequency setting (voltage)	Inputting 0 to 5 V DC (or 0 to 10 V, 0 to 20 mA) provides the maximum output frequency at 5 V (10 V, 20 mA) and makes input and output proportional. Use Pr. 73 to switch among input 0 to 5 V DC (initial setting), 0 to 10 V DC, and 0 to 20 mA. Set the voltage/current input switch in the ON position to select current input (0 to 20 mA). ①	When voltage is input: Input resistance 10 k Ω \pm 1 k Ω Maximum permissible voltage 20 V DC	5-255
	4	Frequency setting (current)	Inputting 4 to 20 mA DC (or 0 to 5 V, 0 to 10 V) provides the maximum output frequency at 20 mA and makes input and output proportional. This input signal is valid only when the AU signal is ON (terminal 2 input is invalid). Use Pr. 267 to switch among input 4 to 20 mA (initial setting), 0 to 5 V DC, and 0 to 10 V DC. Set the voltage/current input switch in the OFF position to select voltage input (0 to 5 V/0 to 10 V). ① Use Pr. 858 to switch terminal functions.	When current is input: Input resistance 245 Ω \pm 5 Ω Permissible maximum current 30 mA	5-255
	1	Frequency setting auxiliary	Inputting 0 to ± 5 V DC or 0 to ± 10 V DC adds this signal to terminal 2 or 4 frequency setting signal. Use Pr. 73 to switch between input 0 to ± 5 V DC and 0 to ± 10 V DC (initial setting). Use Pr. 868 to switch terminal functions.	Input resistance 10 k Ω \pm 1 k Ω Permissible maximum voltage ± 20 V DC	
	5	Frequency setting common	Common terminal for frequency setting signal (terminal 2, 1 or 4) and analog output terminal AM, CA. Do not earth (ground).	—	5-255
Thermistor	10	PTC thermistor input	For receiving PTC thermistor outputs. When PTC thermistor is valid (Pr. 561 \neq "9999"), the terminal 2 is not available for frequency setting.	Applicable PTC thermistor specification Overheat detection resistance: 0.5 Ω to 30 k Ω (Set by Pr. 561)	5-150
	2				
External power supply input	+24	24 V external power supply input	For connecting 24 V external power supply. If the 24 V external power supply is connected, power is supplied to the control circuit while the main power circuit is OFF.	Input voltage 23 to 25.5 V DC Input current 1.4 A or less	2-61



Tab. 2-18: Input signals (2)

- ① Set Pr. 73, Pr. 267, and the voltage/current input switch correctly, then input an analog signal in accordance with the setting.
Applying a voltage with the voltage/current input switch ON (current input is selected) or a current with the switch OFF (voltage input is selected) could cause component damage of the inverter or analog circuits of output devices. (For the details, refer to page 5-255.)
- ② The sink logic is initially set for the FM-type inverter.
- ③ The source logic is initially set for the CA-type inverter.

Output signal

Type	Terminal symbol	Terminal name	Terminal function description	Rated specification	Refer to page	
Relay	A1, B1, C1	Relay output 1 (fault output)	1 changeover contact output that indicates that an inverter's protective function has been activated and the outputs are stopped. Fault: discontinuity across B and C (continuity across A and C), Normal: continuity across Band C (discontinuity across A and C)	Contact capacity 230 V AC 0.3 A (power factor = 0.4) 30 V DC 0.3 A	5-231	
	A2, B2, C2	Relay output 2	1 changeover contact output		5-231	
Open collector	RUN	Inverter running	Switched to LOW when the inverter output frequency is equal to or higher than the starting frequency (initial value 0.5 Hz). Switched to HIGH during stop or DC injection brake operation.	Permissible load 24 V DC (maximum 27 V DC) 0.1 A (The voltage drop is 2.8 V at maximum while the signal is ON.) LOW is when the open collector output transistor is ON (conducted). HIGH is when the transistor is OFF (not conducted).	5-231	
	SU	Up to frequency	Switched to LOW when the output frequency is within the set frequency range $\pm 10\%$ (initial value). Switched to HIGH during acceleration/deceleration and at a stop.		5-240	
	OL	Overload warning	Switched to LOW when stall prevention is activated by the stall prevention function. Switched to HIGH when stall prevention is cancelled.		Fault code (4 bits) output. (Refer to page 5-252.)	5-194
	IPF	Instantaneous power failure	Switched to LOW when an instantaneous power failure occurs or when the undervoltage protection is activated.			5-415, 5-432
	FU	Frequency detection	Switched to LOW when the inverter output frequency is equal to or higher than the preset detection frequency, and to HIGH when it is less than the preset detection frequency.			5-240
	SE	Open collector output common	Common terminal for terminals RUN, SU, OL, IPF, FU			—
Pulse	FM ^①	For meter	Outputs a selected monitored item (such as output frequency) among several monitored items. The signal is not output during an inverter reset. The output signal is proportional to the magnitude of the corresponding monitoring item. Use Pr. 55, Pr. 56, and Pr. 866 to set full scales for the monitored output frequency, output current, and torque. (Refer to page 5-211.)	Output item: Output frequency (initial setting)	Permissible load current 2 mA For full scale 1440 pulses/s	5-211
		NPN open collector output		This terminal can be used for open collector outputs by setting Pr. 291.	Maximum output pulse 50k pulses/s Permissible load current 80 mA	5-140
Analog	AM	Analog voltage output		Output item: Output frequency (initial setting)	Output signal 0 to ± 10 V DC, Permissible load current 1 mA (load impedance 10 k Ω or more) Resolution 8 bits	5-211
	CA ^②	Analog current output			Load impedance 200 Ω to 450 Ω Output signal 0 to 20 mA DC	5-211

Tab. 2-19: Output signals

- ① Terminal FM is provided in the FM-type inverter.
② Terminal CA is provided in the CA-type inverter.

Communication

Type	Terminal symbol	Terminal name	Terminal function description	Refer to page	
RS-485	—	PU connector	With the PU connector, communication can be made through RS-485. (For connection on a 1:1 basis only) <ul style="list-style-type: none"> • Conforming standard: EIA-485 (RS-485) • Transmission format: Multidrop link • Communication speed: 4800 to 115200 bps • Overall length: 500 m 	5-453	
	RS-485 terminals	TXD+	Inverter transmission terminal	The RS-485 terminals enables the communication by RS-485. <ul style="list-style-type: none"> • Conforming standard: EIA-485 (RS-485) • Transmission format: Multidrop link • Communication speed: 300 to 115200 bps • Overall length: 500 m 	5-455
		TXD-	Inverter reception terminal		
		RXD+			
		RXD-			
GND (SG)	Earthing (grounding)				
USB	—	USB A connector	<ul style="list-style-type: none"> • A connector (receptacle) • A USB memory device enables parameter copies and the trace function. 	<ul style="list-style-type: none"> • Interface: Conforms to USB1.1 (USB2.0 full-speed compatible) • Transmission speed: 12 Mbps 	2-68
		USB B connector	<ul style="list-style-type: none"> • Mini B connector (receptacle) • Connected to a personal computer via USB to enable setting, monitoring, test operations of the inverter by FR Configurator2. 		2-68

Tab. 2-20: Communication signals (RS-485 and USB)

Ethernet connector (FR-F800-E)

For information regarding the communication signals of the Ethernet connector refer to page 2-83.

Safety stop signal

Terminal symbol	Terminal name	Terminal function description	Rated specification	Refer to page
S1	Safety stop input (Channel 1)	The terminals S1 and S2 are used for the safety stop input signal for the safety relay module. The terminals S1 and S2 are used at the same time (dual channel). Inverter output is shutoff by shortening/opening between terminals S1 and SIC, or between S2 and SIC. In the initial status, terminals S1 and S2 are shorted with the terminal PC by shorting wires. The terminal SIC is shorted with the terminal SD. Remove the shorting wires and connect the safety relay module when using the safety stop function.	Input resistance 4.7 kΩ Input current 4 to 6 mA DC (with 24 V DC input)	2-64
S2	Safety stop input (Channel 2)			
SIC	Safety stop input terminal common	Common terminal for terminals S1 and S2.	—	
SO	Safety monitor output (open collector output)	Indicates the safety stop input signal status. Switched to LOW when the status is other than the internal safety circuit failure. Switched to HIGH during the internal safety circuit failure status. (LOW is when the open collector output transistor is ON (conducted). HIGH is when the transistor is OFF (not conducted).) Refer to the Safety stop function instruction manual when the signal is switched to HIGH while both terminals S1 and S2 are open. (Please contact your sales representative for the manual.)	Permissible load 24 V DC (27 V DC at maximum), 0.1 A (The voltage drop is 3.4 V at maximum while the signal is ON.)	
SOC	Safety monitor output common	Common terminal for terminal SO.	—	

Tab. 2-21: Safety stop signal

2.6.2 Control logic (sink/source) change

Change the control logic of input signals as necessary.

To change the control logic, change the jumper connector position on the control circuit board. Connect the jumper connector to the connector pin of the desired control logic.

- The control logic of input signals is initially set to the sink logic (SINK) for the FM type.
- The control logic of input signals is initially set to the source logic (SOURCE) for the CA type.

(The output signals may be used in either the sink or source logic independently of the jumper connector position.)

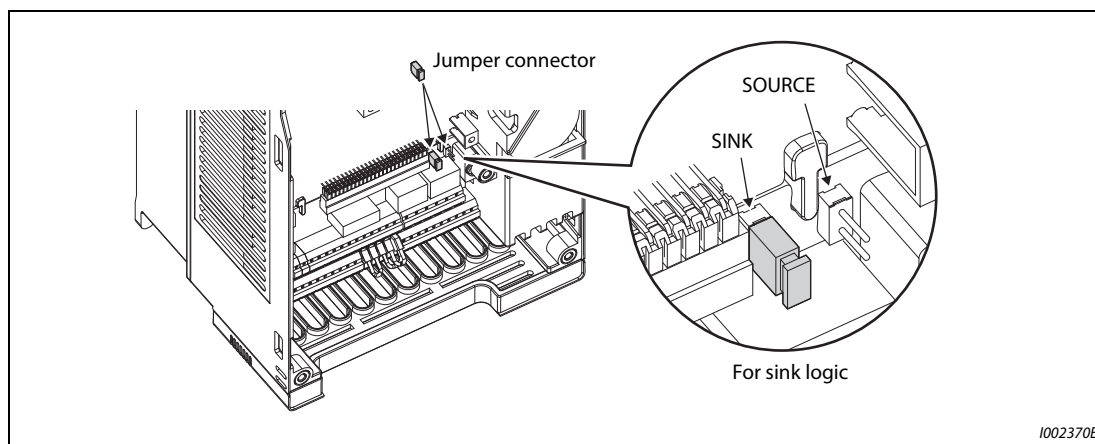


Fig. 2-26: Changing the control logic

NOTES

- | Make sure that the jumper connector is installed correctly.
- | Never change the control logic while power is ON.

Sink logic and source logic

- In the source logic, a signal switches ON when a current flows into the corresponding signal input terminal.
Terminal PC is common to the contact input signals. Terminal SE is common to the open collector output signals.
- In the sink logic, a signal switches ON when a current flows from the corresponding signal input terminal.
Terminal SD is common to the contact input signals. Terminal SE is common to the open collector output signals.

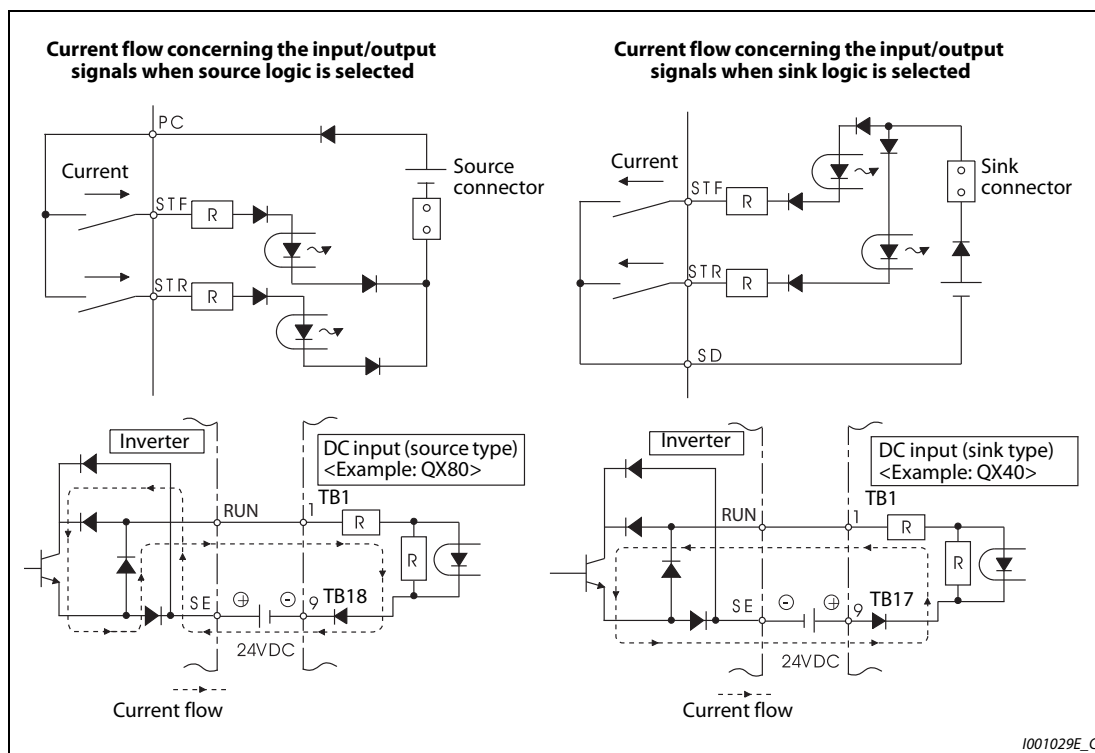


Fig. 2-27: Changing the control logic

- When using an external power supply for transistor output
 - Source logic

Use the terminal SD as a common terminal, and perform wiring as shown below. (Do not connect terminal PC of the inverter with the terminal +24 V of the external power supply. When using terminals PC-SD as a 24 V DC power supply, do not install an external power supply in parallel with the inverter. Doing so may cause a malfunction in the inverter due to undesirable currents.)

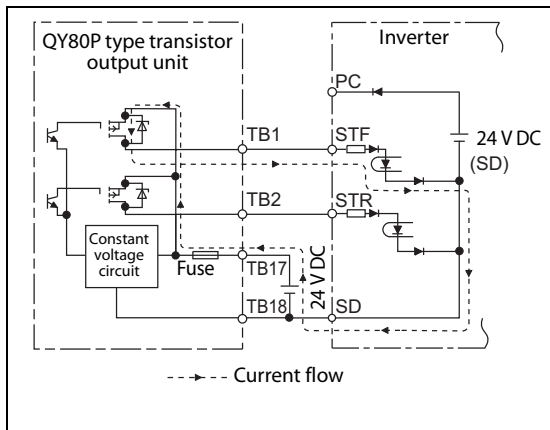


Fig. 2-28:
Using an external power supply in connection with the outputs of a PLC (source logic)

I002372E

- Sink logic

Use the terminal PC as a common terminal, and perform wiring as shown below. (Do not connect terminal SD of the inverter with the terminal 0 V of the external power supply. When using terminals PC-SD as a 24 V DC power supply, do not install an external power supply in parallel with the inverter. Doing so may cause a malfunction in the inverter due to undesirable currents.)

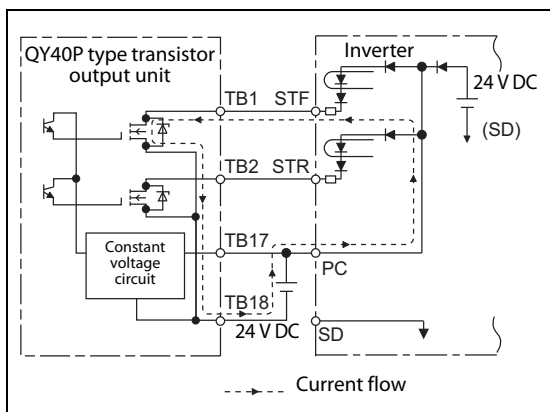


Fig. 2-29:
Using an external power supply in connection with the outputs of a PLC (sink logic)

I002371E

2.6.3 Wiring of control circuit

Control circuit terminal layout

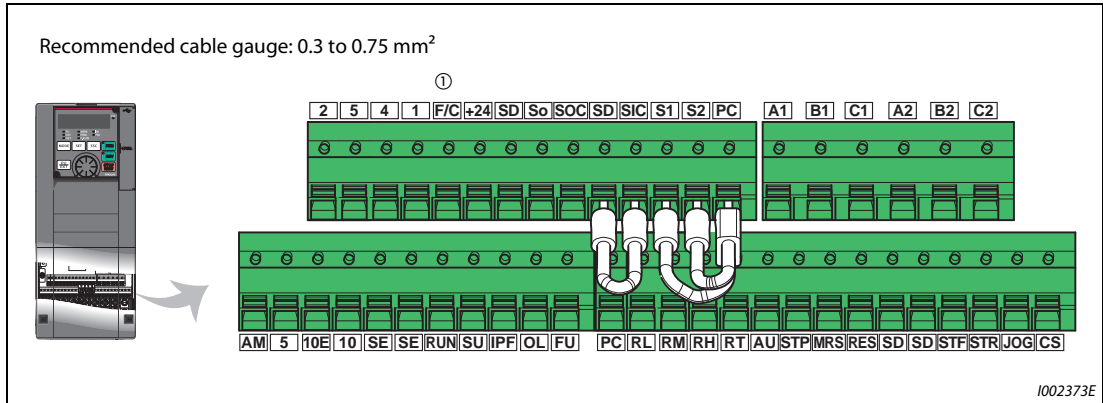


Fig. 2-30: Terminal layout

① This terminal operates as the terminal FM for the FM type, and as the terminal CA for the CA type.

Wiring method

- Power supply connection

For the control circuit wiring, strip off the sheath of a cable, and use it with a blade terminal. For a single wire, strip off the sheath of the wire and apply directly. Insert the blade terminal or the single wire into a socket of the terminal.

① Strip off the sheath for the below length. If the length of the sheath peeled is too long, a short circuit may occur with neighbouring wires. If the length is too short, wires might come off. Wire the stripped cable after twisting it to prevent it from becoming loose. In addition, do not solder it.

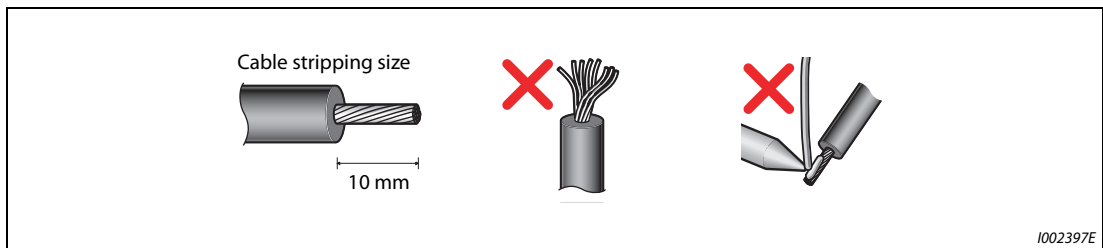


Fig. 2-31: Preparation of the cable

- ② Crimp the blade terminal.
 Insert wires to a blade terminal, and check that the wires come out for about 0 to 0.5 mm from a sleeve.
 Check the condition of the blade terminal after crimping. Do not use a blade terminal of which the crimping is inappropriate, or the face is damaged.

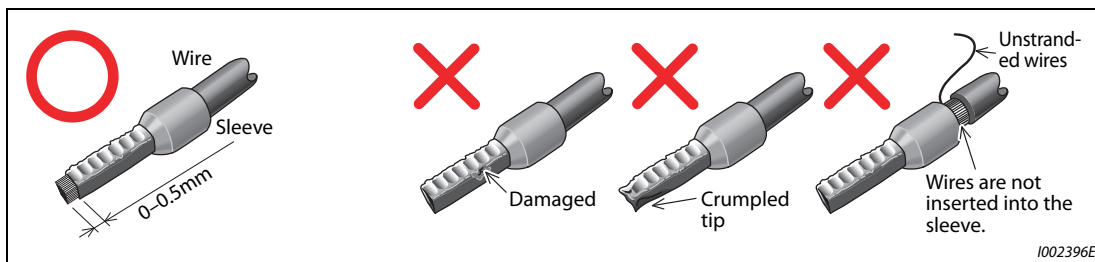


Fig. 2-32: Crimped wire end sleeves

Blade terminals commercially available (as of May 2016)

Cable gauge (mm ²)	Blade terminal model			Crimping tool
	With insulation sleeve	Without insulation sleeve	For UL wire ①	
0.3	AI 0,34-10TQ	—	—	CRIMPFOX 6
0.5	AI 0,5-10WH	—	AI 0,5-10WH-GB	
0.75	AI 0,75-10GY	A 0,75-10	AI 0,75-10GY-GB	
1	AI 1-10RD	A 1-10	AI 1-10RD/1000GB	
1.25, 1.5	AI 1,5-10BK	A 1,5-10	AI 1,5-10BK/1000GB ②	
0.75 (for two wires)	AI-TWIN 2 × 0,75-10GY	—	—	

Tab. 2-22: Phoenix Contact Co., Ltd.

- ① A blade terminal with an insulation sleeve compatible with the MTW wire which has a thick wire insulation.
- ② Applicable for the terminal A1, B1, C1, A2, B2, C2.

Cable gauge (mm ²)	Blade terminal product number	Insulation cap product number	Crimping tool product number
0.3 to 0.75	BT 0.75-11	VC 0.75	NH 69

Tab. 2-23: NICHIFU Co., Ltd

- ③ Insert the wires into a socket

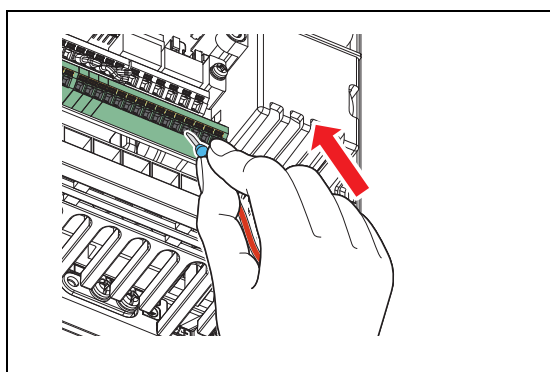


Fig. 2-33: Cable connection

1002398E

When using a single wire or stranded wires without a blade terminal, push the open/close button all the way down with a flathead screwdriver, and insert the wire.

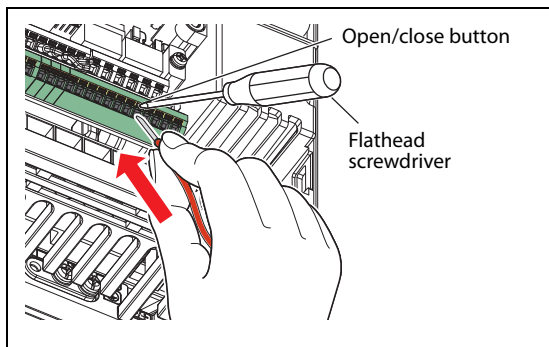


Fig. 2-34:
Connection of a stranded wire

I002399E

NOTES

When using stranded wires without a blade terminal, twist enough to avoid short circuit with a nearby terminals or wires.

Place the flathead screwdriver vertical to the open/close button. In case the blade tip slips, it may cause an inverter damage or injury.

● Wire removal

Pull the wire while pushing the open/close button all the way down firmly with a flathead screwdriver.

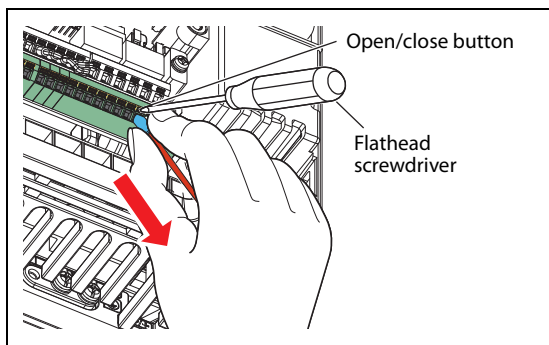


Fig. 2-35:
Wire removal

I002400E

NOTES

Pulling out the wire forcefully without pushing the open/close button all the way down may damage the terminal block.

Use a small flathead screwdriver (tip thickness: 0.4 mm/tip width: 2.5 mm).
If a flathead screwdriver with a narrow tip is used, terminal block may be damaged.
Commercially available products (as of February 2016)

Name	Model	Manufacturer
Driver	SZF 0-0,4x2,5	Phoenix Contact Co., Ltd.

Place the flathead screwdriver vertical to the open/close button. In case the blade tip slips, it may cause an inverter damage or injury.

Common terminals of the control circuit (SD, PC, 5, SE)

- Terminals SD (sink logic), PC (source logic), 5, and SE are common terminals (0V) for I/O signals. (All common terminals are isolated from each other.) Do not earth (ground) these terminals. Avoid connecting the terminal SD (sink logic) with 5, the terminal PC (source logic) with 5, and the terminal SE with 5.
 - In the sink logic, terminal SD is a common terminal for the contact input terminals (STF, STR, STP (STOP), RH, RM, RL, JOG, RT, MRS, RES, AU, CS) and the pulse train output terminal (FM ^①). Every contact input terminal is isolated from the internal control circuit by photocoupler.
 - In the source logic, terminal PC is a common terminal for the contact input terminals (STF, STR, STP (STOP), RH, RM, RL, JOG, RT, MRS, RES, AU, CS). Every contact input terminal is isolated from the internal control circuit by photocoupler.
 - Terminal 5 is a common terminal for the frequency setting terminals (2, 1 or 4) and the analog output terminals (AM, CA ^②). It should be protected from external noise using a shielded or twisted cable.
 - Terminal SE is a common terminal for the open collector output terminals (RUN, SU, OL, IPF, FU). The contact input circuit is isolated from the internal control circuit by photocoupler.
- ① Terminal FM is provided in the FM-type inverter.
 ② Terminal CA is provided in the CA-type inverter.

Signal inputs by contactless switches

The contact input terminals of the inverter (STF, STR, STP (STOP), RH, RM, RL, JOG, RT, MRS, RES, AU, CS) can be controlled using a transistor instead of a contact switch as shown below.

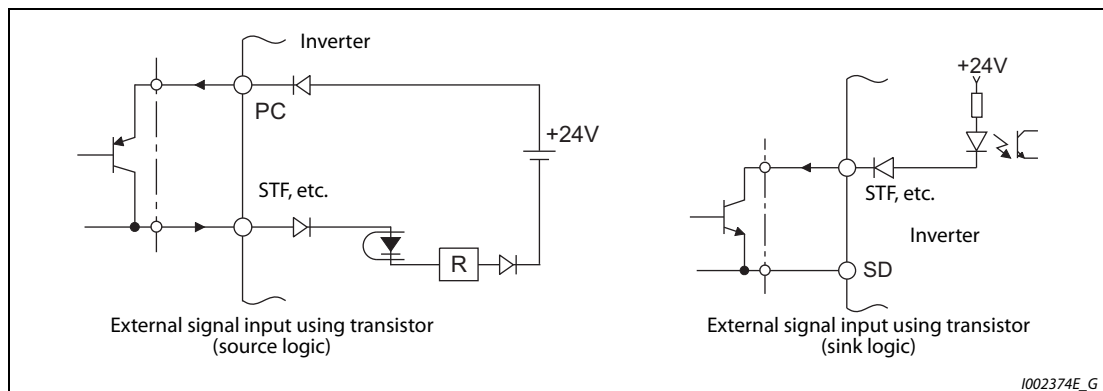


Fig. 2-36: External signal input using transistor

2.6.4 Wiring precautions

- It is recommended to use a cable of 0.3 to 0.75 mm² for the connection to the control circuit terminals.
- The wiring length should be 30 m (200 m for the terminal FM) at the maximum.
- Use two or more parallel micro-signal contacts or twin contacts to prevent contact faults when using contact inputs since the control circuit input signals are micro-currents.

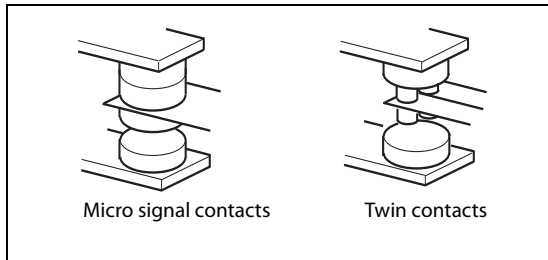


Fig. 2-37:
Contacts

1001021E

- To suppress EMI, use shielded or twisted cables for the control circuit terminals and run them away from the main and power circuits (including the 200 V relay sequence circuit). For the cables connected to the control circuit terminals, connect their shields to the common terminal of the connected control circuit terminal. When connecting an external power supply to the terminal PC, however, connect the shield of the power supply cable to the negative side of the external power supply. Do not directly earth (ground) the shield to the enclosure, etc.
- Always apply a voltage to the fault output terminals (A1, B1, C1, A2, B2, C2) via a relay coil, lamp, etc.
- For the FR-F820-03160(75K) or higher and FR-F840-02160(90K) or higher, separate the wiring of the control circuit away from the wiring of the main circuit. Make cuts in rubber bush of the inverter side and lead the wires through.

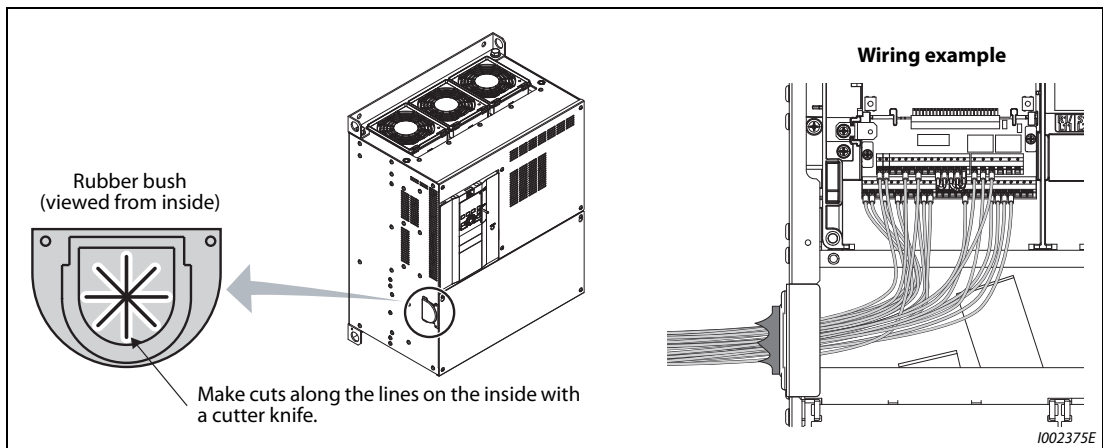


Fig. 2-38: Wiring of the control circuit of the FR-F820-03160(75K) or higher and FR-F840-02160(90K) or higher

1002375E

2.6.5 When using separate power supplies for the control circuit and the main circuit

Cable size for the control circuit power supply (terminals R1/L11 and S1/L21)

- Terminal screw size: M4
- Cable gauge: 0.75 mm² to 2 mm²
- Tightening torque: 1.5 Nm

Connection method

When a fault occurs, opening of the electromagnetic contactor (MC) on the inverter power supply side results in power loss in the control circuit, disabling the fault output signal retention. Terminals R1/L11 and S1/L21 are provided to hold a fault signal. In this case, connect the power supply terminals R1/L11 and S1/L21 of the control circuit to the input side of the MC.

Do not connect the power cable to incorrect terminals. Doing so may damage the inverter.

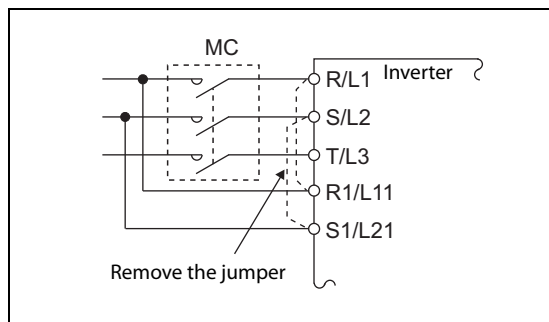


Fig. 2-39:
Power supply for control and main circuit

1002376E

FR-F820-00250(5.5K) or lower, FR-F840-00126(5.5K) or lower

- ① Remove the upper screws.
- ② Remove the lower screws.
- ③ Remove the jumper.
- ④ Connect the separate power supply cable for the control circuit to **the lower terminals (R1/L11, S1/L21)**.

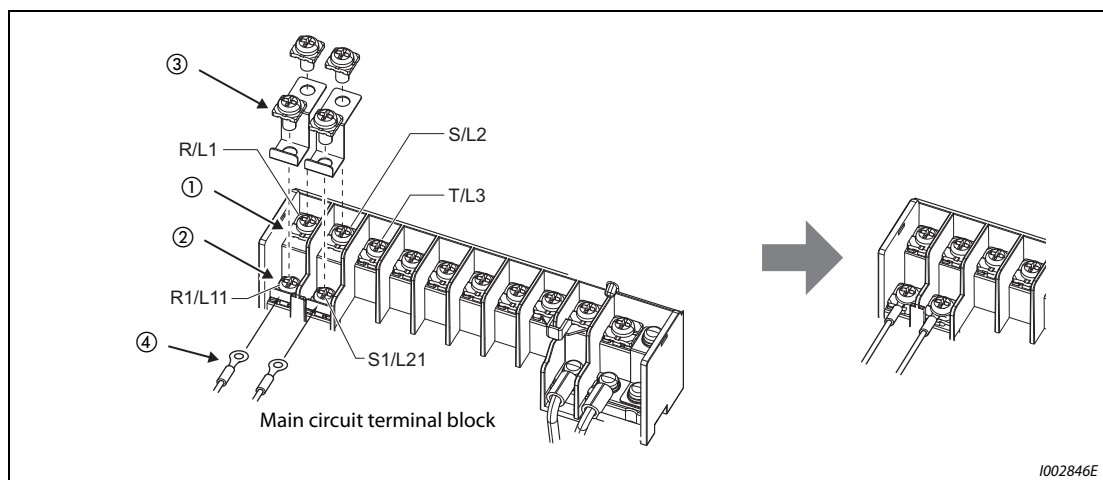


Fig. 2-40: Detailed view of the terminals

1002846E

FR-F820-00340(7.5K) to FR-F820-00630(15K), FR-F840-00170(7.5K) to FR-F840-00380(18.5K)

- ① Remove the upper screws.
- ② Remove the lower screws.
- ③ Remove the jumper.
- ④ Connect the separate power supply cable for the control circuit to **the upper terminals (R1/L11, S1/L21)**.

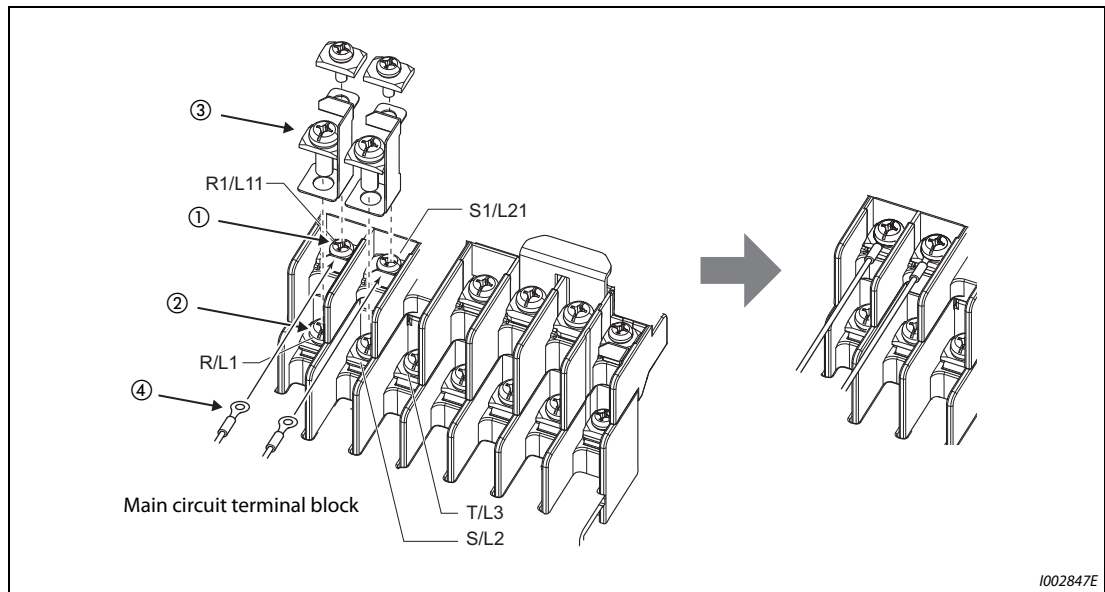


Fig. 2-41: Detailed view of the terminals

FR-F820-00770(18.5K) or higher, FR-F840-00470(22K) or higher

- ① Remove the upper screws.
- ② Remove the lower screws.
- ③ Pull the jumper toward you to remove.
- ④ Connect the separate power supply cable for the control circuit to **the upper terminals (R1/L11, S1/L21)**.

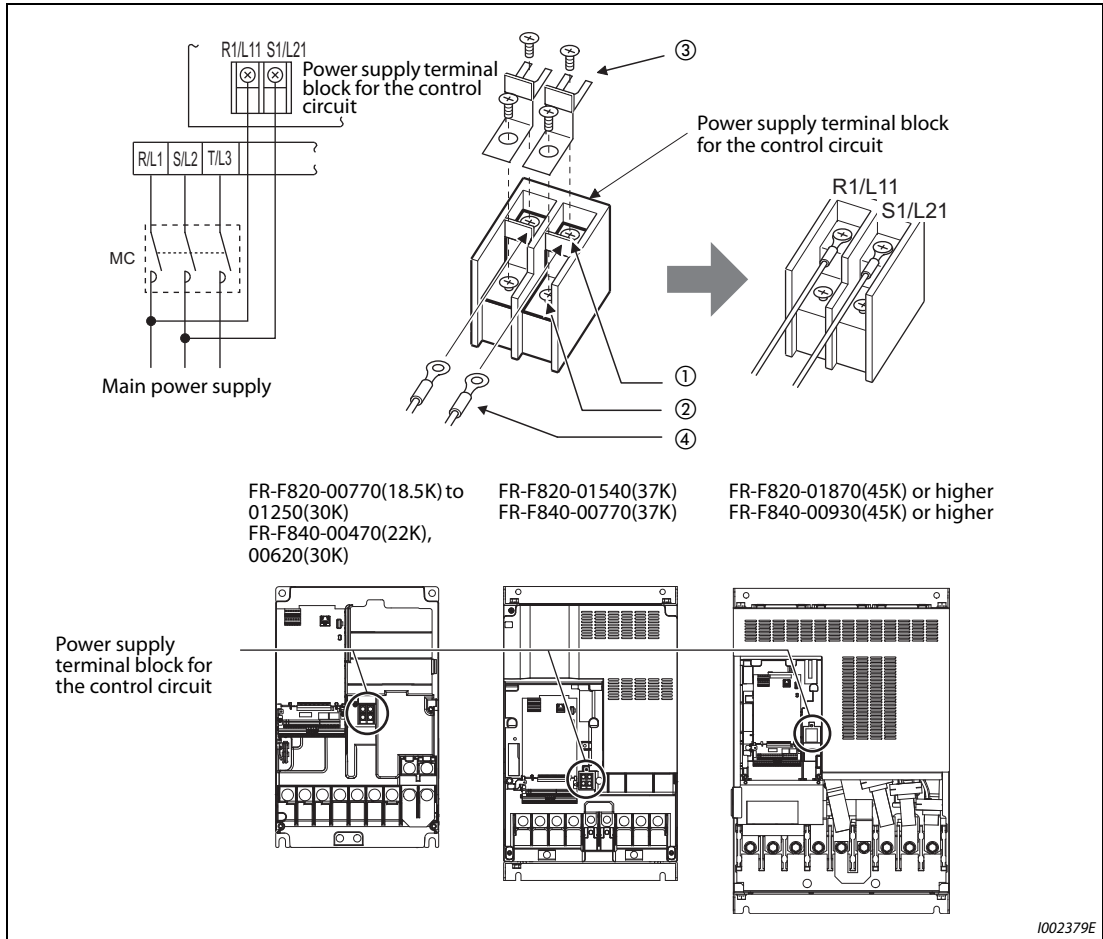


Fig. 2-42: Detailed view and positions of the terminals

NOTES

When using separate power supplies, always remove the jumpers across terminals R/L1 and R1/L11 and across S/L2 and S1/L21. The inverter may be damaged if the jumpers are not removed.

The voltage should be the same as that of the main control circuit when the control circuit power is supplied from other than the input side of the MC.

The power capacity necessary when separate power is supplied from R1/L11 and S1/L21 differs according to the inverter capacity.

Inverter	Power supply capacity
FR-F820-00630(15K) or lower FR-F840-00380(18.5K) or lower	60 VA
FR-F820-00770(18.5K) or higher FR-F840-00470(22K) or higher	80 VA

If the main circuit power is switched OFF (for 0.1 s or more) then ON again, the inverter is reset and a fault output will not be held.

2.6.6 When supplying 24 V external power to the control circuit

Connect the 24 V external power supply across terminals +24 and 5D. The 24 V external power supply enables I/O terminal ON/OFF operation, operation panel displays, control functions, and communication during communication operation even at power-OFF of inverter's main circuit power supply. When the main circuit power supply is turned ON, the power supply source changes from the 24 V external power supply to the main circuit power supply.

Specification of the applicable 24 V external power supply

Item	Rated specification
Input voltage	23 to 25.5 V DC
Input current	1.4 A or less

Tab. 2-24: Specification of the applicable 24 V external power supply

Model	Manufacturer
S8JX-N05024C ^① Specifications: Capacity 50 W, output voltage (DC) 24 V, output current 2.1 A Installation method: Front installation with cover	OMRON Corporation
or S8VS-06024 ^① Specifications: Capacity 60 W, output voltage (DC) 24 V, output current 2.5 A Installation method: DIN rail installation	

Tab. 2-25: Commercially available products (as of February 2015)

^① For the latest information about OMRON power supply, contact OMRON corporation.

Starting and stopping the 24 V external power supply operation

- Supplying 24 V external power while the main circuit power is OFF starts the 24 V external power supply operation. Likewise, turning OFF the main circuit power while supplying 24 V external power starts the 24 V external power supply operation.
- Turning ON the main circuit power stops the 24 V external power supply operation and enables the normal operation.

NOTES

When the 24 V external power is supplied while the main circuit power supply is OFF, the inverter operation is disabled.

In the initial setting, when the main power supply is turned ON during the 24 V external power supply operation, a reset is performed in the inverter, then the power supply changes to the main circuit power supply. (The reset can be disabled using Pr. 30, refer to page 5-552.)

Confirming the 24 V external power supply input

- During the 24 V external power supply operation, "EV" flickers on the operation panel. The alarm lamp also flickers. Thus, the 24 V external power supply operation can be confirmed even when the operation panel is removed.

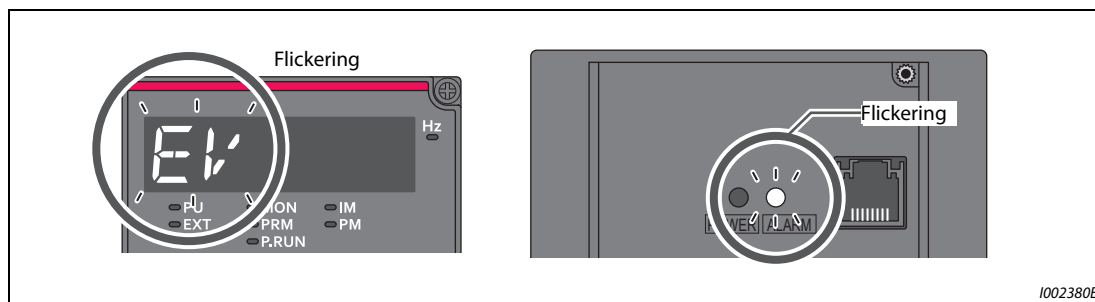


Fig. 2-43: Confirming the 24 V external power supply input

- During the 24 V external power supply operation, the 24 V external power supply operation signal (EV) is output. To use the EV signal, set "68" (positive logic) or "168" (negative logic) in one of Pr. 190 to Pr. 196 (output terminal function selection) to assign function to an output terminal.

Operation while the 24 V external power is supplied

- Faults history and parameters can be read and parameters can be written (when the parameter write from the operation panel is enabled) using the operation panel keys.
- The safety stop function is invalid during the 24 V external power supply operation.
- During the 24 V external power supply operation, monitored items and signals related to inputs to main circuit power supply, such as output current, converter output voltage, and IPF signal, are invalid.
- The faults, which have occurred when the main circuit power supply is ON, continue to be output after the power supply is changed to the 24 V external power supply. Perform the inverter reset or turn OFF then ON the power to reset the faults.
- The retry function is invalid for all faults during the 24 V external power supply.
- If the power supply changes from the main circuit power supply to the 24 V external power supply while measuring the main circuit capacitor's life, the measurement completes after the power supply changes back to the main circuit power supply (Pr. 259 = "3").
- The output data is retained when "1 or 11" is set in Pr. 495 "Remote output selection".

NOTES

Inrush current equal to or higher than the 24 V external power supply specification may flow at power-ON. Confirm that the power supply and other devices are not affected by the inrush current and the voltage drop caused by it. Depending on the power supply, the inrush current protection may be activated to disable the power supply. Select the power supply and capacity carefully.

When the wiring length between the external power supply and the inverter is long, the voltage often drops. Select the appropriate wiring size and length to keep the voltage in the rated input voltage range.

In a serial connection of several inverters, the current increases when it flows through the inverter wiring near the power supply. The increase of the current causes voltage to drop further. When connecting different inverters to different power supplies, use the inverters after confirming that the input voltage of each inverter is within the rated input voltage range. Depending on the power supply, the inrush current protection may be activated to disable the power supply. Select the power supply and capacity carefully.

"E.SAF or E.P24" may appear when the start-up time of the 24 V power supply is too long (less than 1.5 V/s) in the 24 V external power supply operation.

"E.P24" may appear when the 24 V external power supply input voltage is low. Check the external power supply input.

Do not touch the control circuit terminal block (circuit board) during the 24 V power supply operation (when conducted). Otherwise you may get an electric shock or burn.

2.6.7 Safety stop function

Function description

The terminals related to the safety stop function are shown below.

Terminal symbol	Terminal function description	
S1 ①	For input of the safety stop channel 1.	Between S1 and SIC, S2 and SIC Open: In safety stop mode Short: Other than the safety stop mode.
S2 ①	For input of the safety stop channel 2.	
SIC ①	Common terminal for S1 and S2.	
SO	Outputs when an alarm or failure is detected. The signal is output when no internal safety circuit failure ② exists.	OFF: Internal safety circuit failure ② ON: No internal safety circuit failure ②
SOC	Open collector output (terminal SO) common	

Tab. 2-26: Safety stop signal

- ① In the initial status, terminals S1 and PC, S2 and PC, and SIC and SD are respectively shorted with shorting wires. To use the safety stop function, remove all the shortening wires, and then connect to the safety relay module as shown in the following connection diagram.
- ② At an internal safety circuit failure, the operation panel displays one of the faults shown on page 2-65.

NOTE

Use the terminal SO to output a fault and to prevent restarting of the inverter. The signal cannot be used as safety stop input terminal to other devices.

Connection diagram

To prevent automatic restart after a fault occurrence, connect the reset button of a safety relay module or a safety programmable controller across the terminals SO and SOC. The reset button acts as the feedback input for the safety relay module or the safety programmable controller.

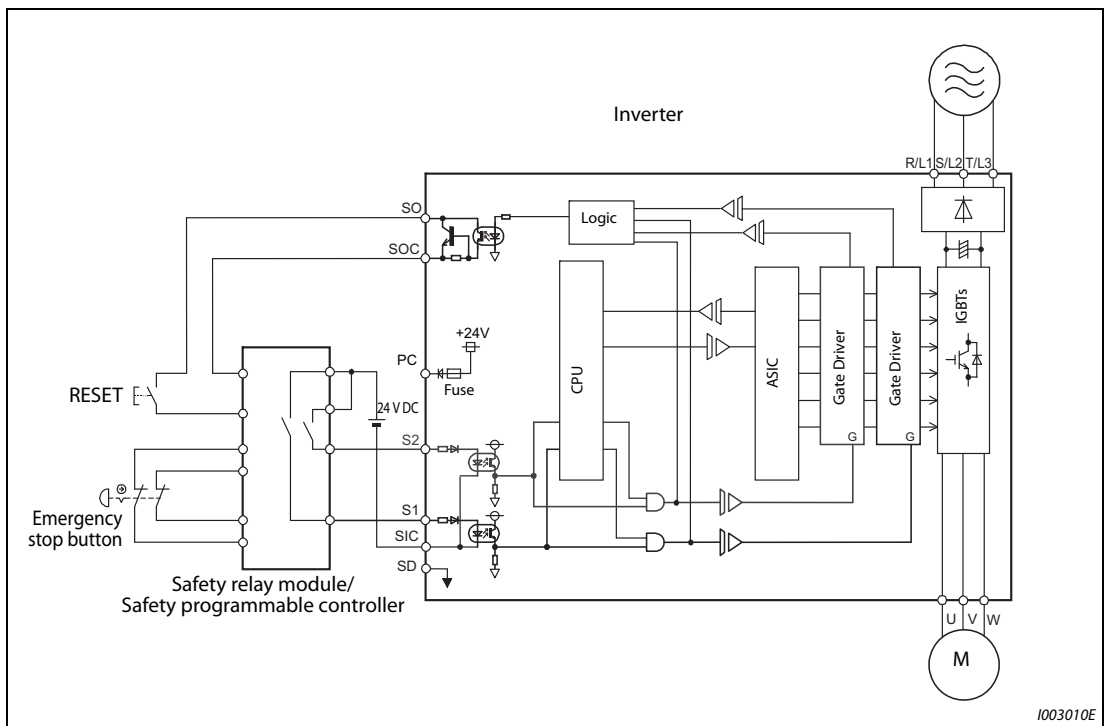


Fig. 2-44: Connecting the Safety relay module

Safety stop function operation

Input power	Internal safety circuit status	Input terminal ^{①, ②}		Output terminal	Output signal ^{③, ④}	Inverter running status	Operation panel indication	
		S1	S2	SO	SAFE		E.SAF ^⑤	SA ^⑦
OFF	—	—	—	OFF	OFF	Output shutoff (Safe state)	Not displayed	Not displayed
ON	Normal	ON	ON	ON ^③	OFF	Drive enabled	Not displayed	Not displayed
	Normal	ON	OFF	OFF ^④	OFF ^④	Output shutoff (Safe state)	Displayed	Displayed
	Normal	OFF	ON	OFF ^④	OFF ^④	Output shutoff (Safe state)	Displayed	Displayed
	Normal	OFF	OFF	ON ^③	ON ^③	Output shutoff (Safe state)	Not displayed	Displayed
	Fault	ON	ON	OFF	OFF	Output shutoff (Safe state)	Displayed	Not displayed ^⑥
	Fault	ON	OFF	OFF	OFF	Output shutoff (Safe state)	Displayed	Displayed
	Fault	OFF	ON	OFF	OFF	Output shutoff (Safe state)	Displayed	Displayed
	Fault	OFF	OFF	OFF	OFF	Output shutoff (Safe state)	Displayed	Displayed

Tab. 2-27: Description of Safety stop function operation

- ① ON: Transistor used for an open collector output is conducted.
OFF: Transistor used for an open collector output is not conducted.
- ② When not using the safety stop function, short across terminals S1 and PC, S2 and PC, and SIC and SD to use the inverter. (In the initial status, terminals S1 and PC, S2 and PC, and SIC and SD are respectively shorted with shorting wires.)
- ③ If any of the protective functions shown in the following table is activated, the terminal SO and the SAFE output signal turn OFF.

Fault record	Operation panel indication	Fault record	Operation panel indication
Option fault	E.OPT	24 V DC power fault	E.P24
Communication option fault	E.OP1	Safety circuit fault	E.SAF
Parameter storage device fault	E.PE	Overspeed occurrence	E.OS
Retry count excess	E.RET	CPU fault	E.CPU
Parameter storage device fault	E.PE2		E.5 to E.7
Operation panel power supply short circuit/ RS-485 terminal power supply short circuit	E.CTE	Internal circuit fault	E.13

Tab. 2-28: Indication of internal safety circuit failures

- ④ If the internal safety circuit is operated normally, the terminal SO and the SAFE output signal remain ON until E.SAF is displayed, and the terminal SO and the SAFE output signal turn OFF when E.SAF is displayed.
- ⑤ SA is displayed when the terminals S1 and S2 are identified as OFF due to the internal safety circuit failure.
- ⑥ If another fault occurs at the same time as E.SAF, the other fault can be displayed.
- ⑦ If another warning occurs at the same time as SA, the other warning can be displayed.

- ⑧ The ON/OFF state of the output signal is the one for the positive logic. The ON and OFF are reversed for the negative logic.
For SAFE signal, refer to the following table and assign the function by Pr. 190 to Pr. 196 (output terminal function selection).

Output signal	Pr.190 to Pr.196 settings	
	Positive logic	Negative logic
SAFE	80	180

- ⑨ The use of the SAFE signal has not been certified for compliance with safety standards.

For more details, refer to the Safety stop function instruction manual.
(Find a PDF copy of this manual in the CD-ROM enclosed with the product.)

2.7 Communication connectors and terminals

2.7.1 PU connector

Mounting the operation panel or parameter unit on the enclosure surface

Having an operation panel or a parameter unit on the enclosure surface is convenient. With a connection cable, the operation panel or the parameter unit can be mounted to the enclosure surface and connected to the inverter.

To connect the operation panel or the parameter unit to the inverter, use an option FR-CB2□, or a connector (RJ-45 connector) and cable (communication cable) available on the market.

(To mount the operation panel, the optional connector (FR-ADP) is required.)

Securely insert one end of the connection cable until the stoppers are fixed.

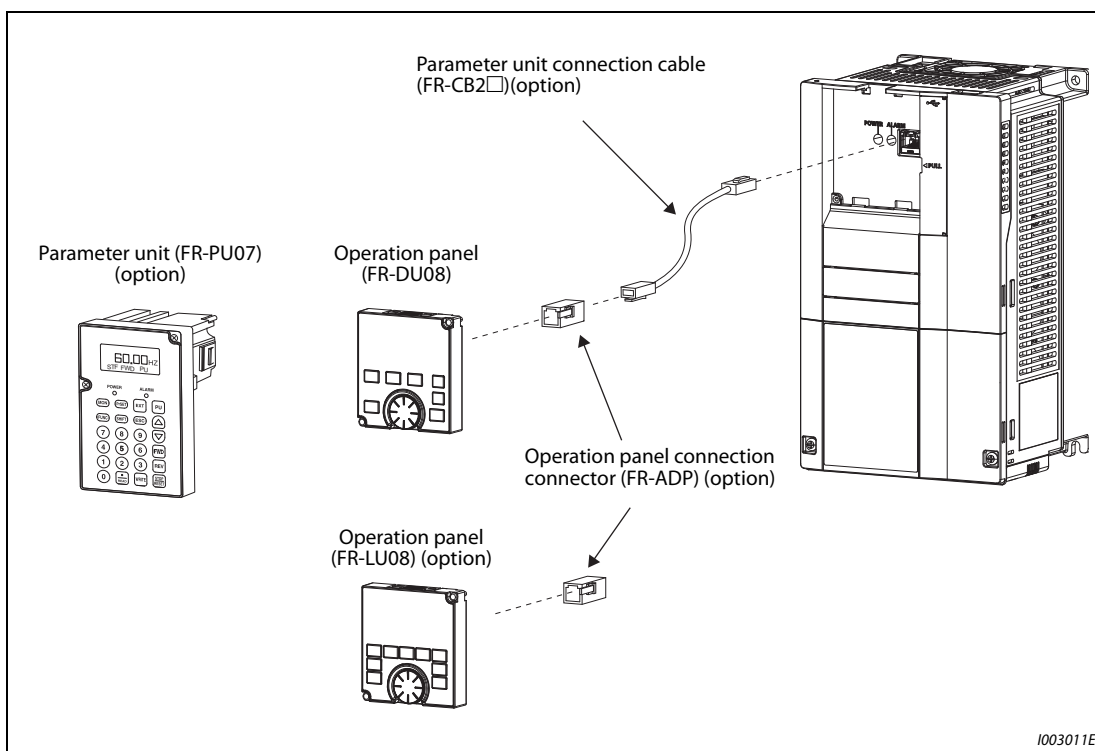


Fig. 2-45: Connecting a parameter unit or the operation panel using a connection cable

NOTES

Refer to the following table when fabricating the cable on the user side. Keep the total cable length within 20 m.

Commercially available products (as of February 2015)

Name	Model	Manufacturer
Communication cable	SGLPEV-T (Cat5e/300 m) 24AWG × 4P	Mitsubishi Cable Industries, Ltd.
RJ-45 connector	5-554720-3	Tyco Electronics

Communication operation

Using the PU connector enables communication operation from a personal computer, etc. When the PU connector is connected with a personal, FA or other computer by a communication cable, a user program can run to monitor the inverter or read and write parameters.

Communication can be performed with the Mitsubishi inverter protocol (computer link operation). For the details, refer to page 5-453.

2.7.2 USB connector

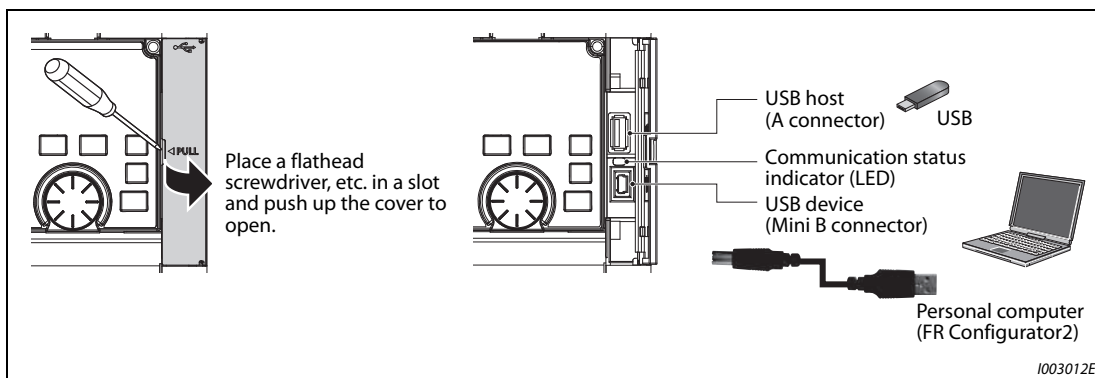


Fig. 2-46: USB connector

USB host communication

Specification		Description
Interface		Conforms to USB1.1
Transmission speed		12 Mbps
Wiring length		Maximum 5 m
Connector		USB A connector (receptacle)
Compatible USB memory	Format	FAT32
	Capacity	1 GB or more (used in the recorder mode of the trace function)
	Encryption function	Not available

Tab. 2-29: USB connector specification

- Different inverter data can be saved in a USB memory device. The USB host communication enables the following functions.

Function	Description	Refer to page
Parameter copy	<ul style="list-style-type: none"> • Copies the parameter setting from the inverter to the USB memory device. The maximum of 99 parameter setting files can be saved in a USB memory device. • The parameter setting data copied in the USB memory device can be copied to other inverters. This function is useful in backing up the parameter setting or for sharing the parameter setting among multiple inverters. • The parameter setting file can be copied onto a personal computer from the USB memory device and edited using FR Configurator2. 	5-573
Trace	<ul style="list-style-type: none"> • The monitored data and output status of the signals can be saved in a USB memory device. • The saved data can be imported to FR Configurator2 to diagnose the operating status of the inverter. 	5-443
PLC function data copy	<ul style="list-style-type: none"> • This function copies the PLC function project data to a USB memory device when the PLC function is used. • The PLC function project data copied in the USB memory device can be copied to other inverters. • This function is useful in backing up the parameter setting and for allowing multiple inverters to operate by the same sequence programs. 	5-439

Tab. 2-30: Functions enabled via the USB host communication

- When the inverter recognizes the USB memory device without any problem, "USB.-A" is briefly displayed on the operation panel.
- When the USB memory device is removed, "USB.-" is briefly displayed on the operation panel.

- The operating status of the USB host can be checked on the LED display of the inverter.

LED display status	Operating status
OFF	No USB connection.
ON	The communication is established between the inverter and the USB device.
Flickering rapidly	The USB memory device is being accessed. (Do not remove the USB memory device.)
Flickering slowly	Error in the USB connection.

Tab. 2-31: Operating status of the USB host

- When a device such as a USB battery charger is connected to the USB connector and an excessive current (500 mA or more) flows, USB host error "UF" (UF warning) is displayed on the operation panel.
- When the UF warning appears, the USB error can be cancelled by removing the USB device and setting Pr. 1049 = "1". (The UF warning can also be cancelled by resetting the inverter power or resetting with the RES signal.)

NOTES

Do not connect devices other than a USB memory device to the inverter.

If a USB device is connected to the inverter via a USB hub, the inverter cannot recognize the USB memory device properly.

USB device communication

The inverter can be connected to a personal computer with a USB (Ver. 1.1) cable.

Parameter setting and monitoring can be performed by FR Configurator2.

Specification	Description
Interface	Conforms to USB1.1
Transmission speed	12 Mbps
Wiring length	Maximum 5 m
Connector	USB mini B connector (receptacle)
Power supply	Self-powered

Tab. 2-32: USB device communication

NOTE

For the details of FR Configurator2, refer to the Instruction Manual of FR Configurator2.

2.7.3 RS-485 terminal block (not for FR-F800-E)

Communication operation

Item	Specification
Conforming standard	EIA-485 (RS-485)
Transmission format	Multidrop link
Communication speed	maximum 115200 bps
Overall length	500 m
Connection cable	Twisted pair cable (4 pairs)

Tab. 2-33: Specifications of the RS-485 terminal block

The RS-485 terminals enable communication operation from a personal computer, etc. When the PU connector is connected with a personal, FA or other computer by a communication cable, a user program can run to monitor the inverter or read and write parameters.

Communication can be performed with the Mitsubishi inverter protocol (computer link operation) and MODBUS® RTU protocol.

For the details, refer to page 5-455.

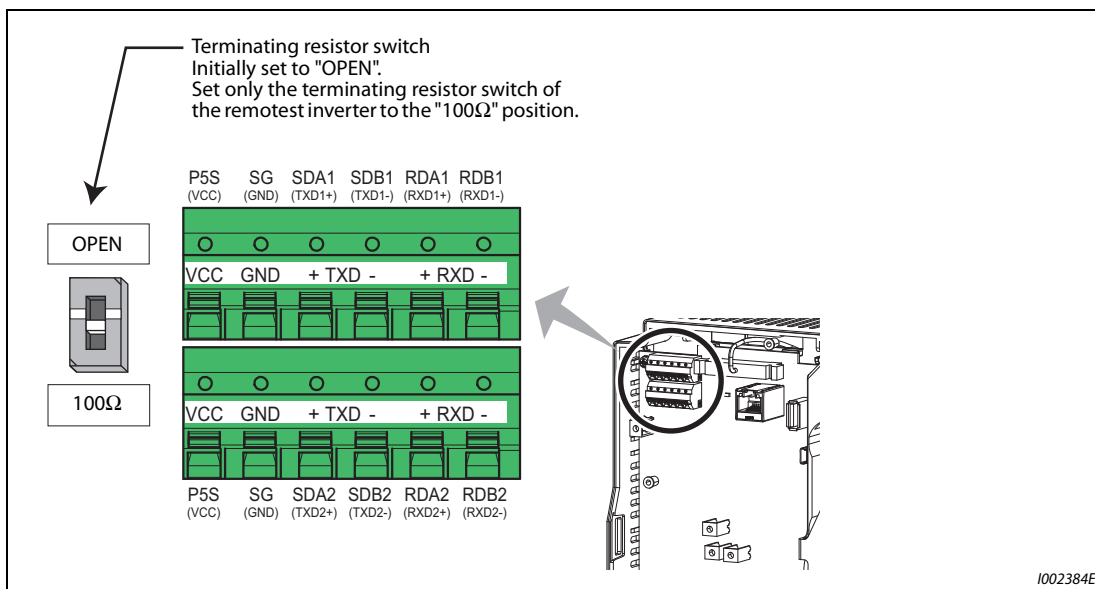


Fig. 2-47: RS-485 terminal block

NOTE

Upon delivery the FR-F800-E inverter models are not equipped with the RS-485 terminal block.

2.8 Connection of stand-alone option units

The inverter accepts a variety of stand-alone option units as required. Incorrect connection will cause inverter damage or accident. Connect and operate the option unit carefully in accordance with the corresponding option unit manual.

2.8.1 Connection of the brake unit (FR-BU2)

Connect the brake unit (FR-BU2(H)) as shown below to improve the braking capability during deceleration.

Connection example with the GRZG type discharging resistor

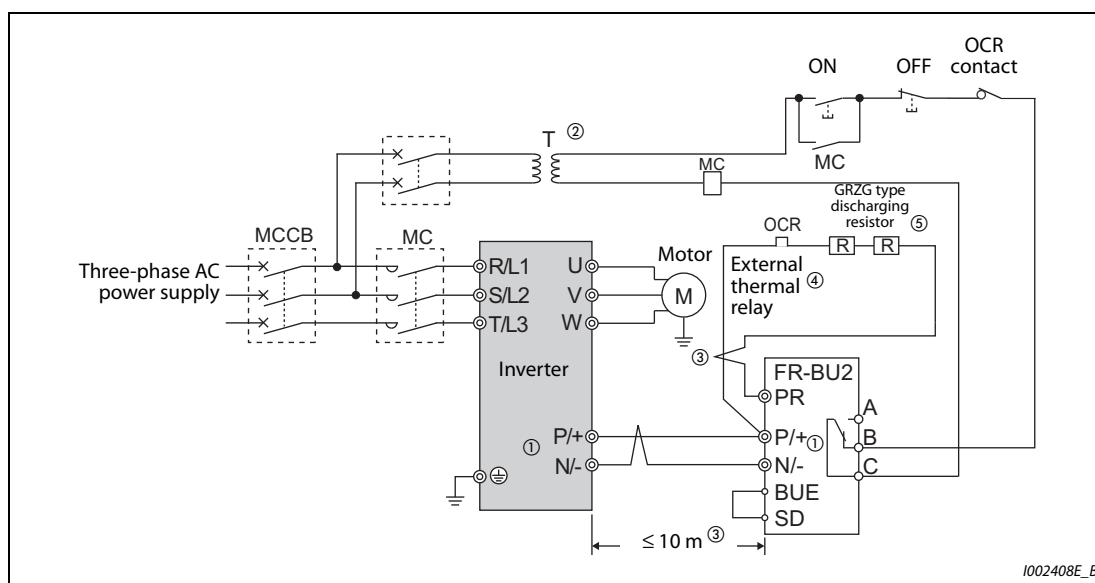
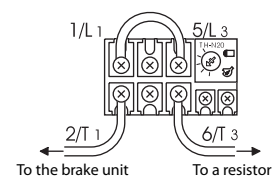


Fig. 2-48: Connection example with the GRZG type discharging resistor

- ① When wiring, make sure to match the terminal symbol (P/+, N/-) at the inverter side and at the brake unit (FR-BU2) side.
(Incorrect connection will damage the inverter and brake unit.)
- ② When the power supply is 400 V class, install a stepdown transformer.
- ③ The wiring distance between the inverter and brake unit (FR-BU2), and between the brake unit (FR-BU2) and discharging resistor must be within 5 m each. Even when the wires are twisted, the cable length must be within 10 m.
- ④ It is recommended to install an external thermal relay to prevent overheat of the discharging resistor.
- ⑤ For the connection method of the discharging resistor, refer to the Instruction Manual of the FR-BU2.

Brake unit	Discharging resistor	Recommended external thermal relay
FR-BU2-1.5K	GZG 300W-50Ω (one)	TH-N20CXHZ 1.3A
FR-BU2-3.7K	GRZG 200-10Ω (three in series)	TH-N20CXHZ 3.6A
FR-BU2-7.5K	GRZG 300-5Ω (four in series)	TH-N20CXHZ 6.6A
FR-BU2-15K	GRZG 400-2Ω (six in series)	TH-N20CXHZ 11A
FR-BU2-H7.5K	GRZG 200-10Ω (six in series)	TH-N20CXHZ 3.6A
FR-BU2-H15K	GRZG 300-5Ω (eight in series)	TH-N20CXHZ 6.6A
FR-BU2-H30K	GRZG 400-2Ω (twelve in series)	TH-N20CXHZ 11A



Tab. 2-34: Recommended external thermal relay

NOTES

Set "1" in Pr. 0 "Brake mode selection" of the FR-BU2 to use a GRZG type discharging resistor.

Do not remove the jumper across terminals P/+ and P1 except when connecting a DC reactor (FR-HEL).

Connection example with the FR-BR-(H) resistor unit

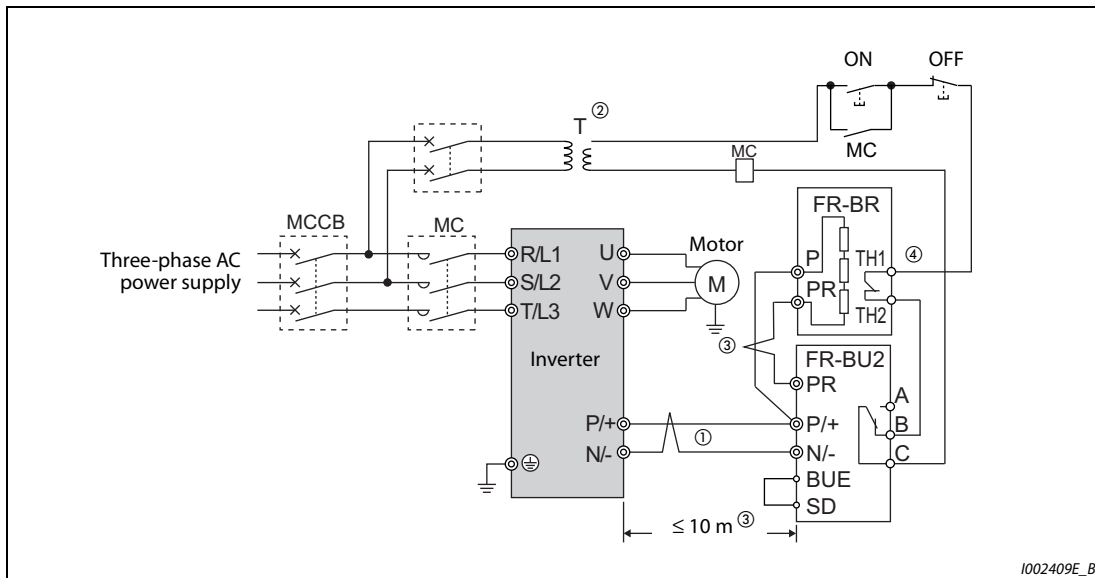


Fig. 2-49: Connection example with the FR-BR-(H) resistor unit

- ① When wiring, make sure to match the terminal symbol (P/+, N/-) at the inverter side and at the brake unit (FR-BU2) side. (Incorrect connection will damage the inverter and brake unit.)
- ② When the power supply is 400 V class, install a stepdown transformer.
- ③ The wiring distance between the inverter and brake unit (FR-BU2), and between the brake unit (FR-BU2) and resistor unit (FR-BR) must be within 5 m each. Even when the wire is twisted, the cable length must be within 10 m.
- ④ The contact between TH1 and TH2 is closed in the normal status and is open at a fault.

NOTE

Do not remove the jumper across terminals P/+ and P1 except when connecting a DC reactor (FR-HEL).

Connection example with the MT-BR5 type resistor unit

After wiring securely, set Pr. 30 "Regenerative function selection" = "1".

Set Pr. 0 "Brake mode selection" = "2" in the brake unit FR-BU2.

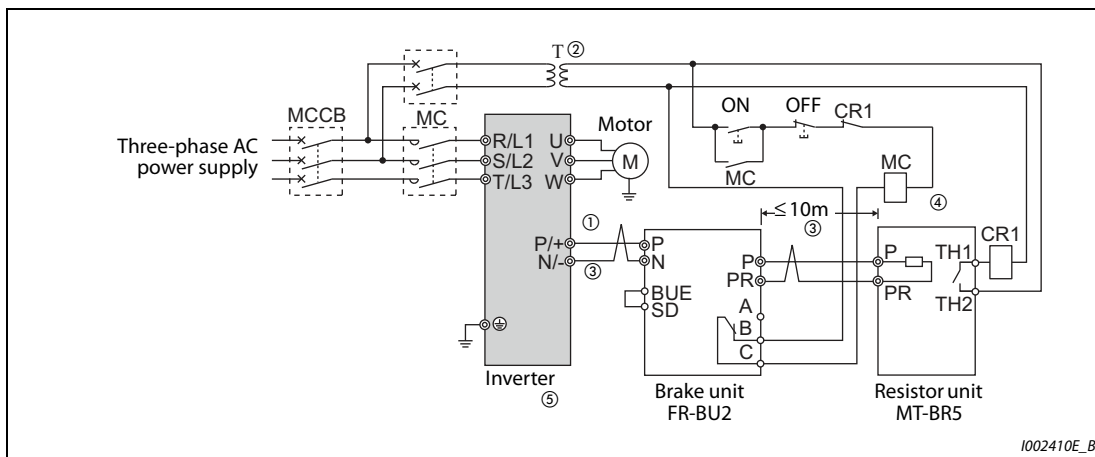


Fig. 2-50: Connection example with the MT-BR5 type resistor unit

- ① When wiring, make sure to match the terminal symbol (P/+, N/-) at the inverter side and at the brake unit (FR-BU2) side. (Incorrect connection will damage the inverter and brake unit.)
- ② When the power supply is 400 V class, install a stepdown transformer.
- ③ The wiring distance between the inverter and brake unit (FR-BU2), and between the brake unit (FR-BU2) and resistor unit (MT-BR5) must be within 5 m each. Even when the wire is twisted, the cable length must be within 10 m.
- ④ The contact between TH1 and TH2 is open in the normal status and is closed at a fault.
- ⑤ The CN8 connector used with the MT-BU5 type brake unit is not used.

NOTE

The stall prevention (overvoltage), oL, does not occur while Pr. 30 "Regenerative function selection" = "1". (Refer to page 5-552.)

2.8.2 Connection of the brake unit (FR-BU)

Connect the brake unit (FR-BU2(H)) as shown below to improve the braking capability during deceleration.

The FR-BU is compatible with FR-F820-02330(55K) or lower and FR-F840-01160(55K) and lower.

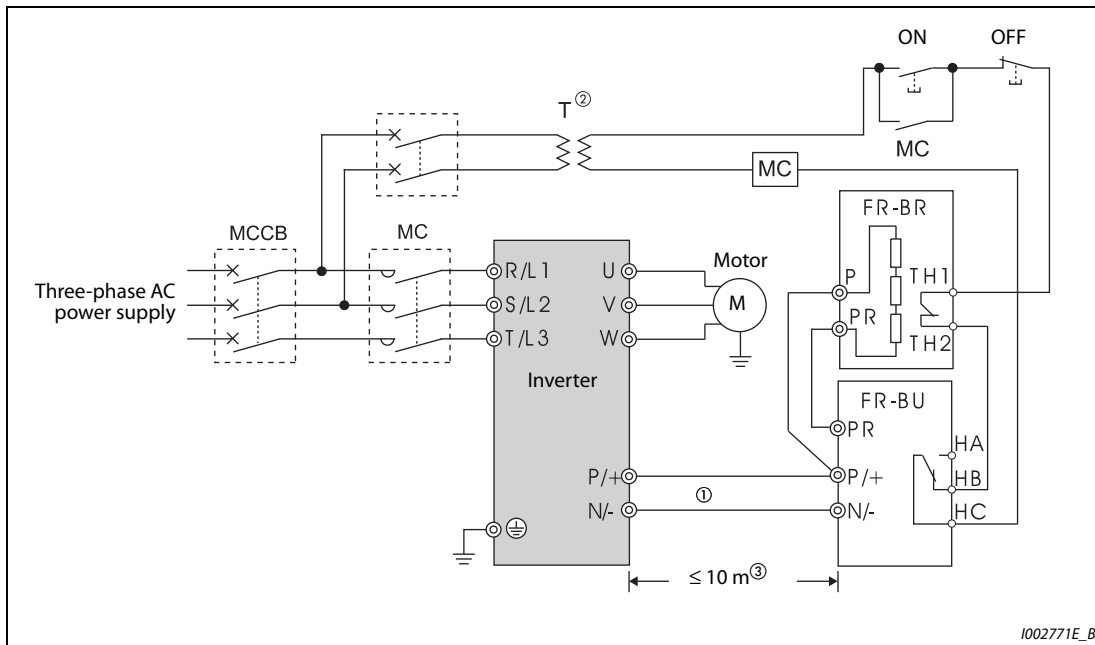


Fig. 2-51: Connection with the brake unit FR-BU

- ① When wiring, make sure to match the terminal symbol (P/+, N/-) at the inverter side and at the brake unit (FR-BU(H)) side. (Incorrect connection will damage the inverter.)
- ② When the power supply is 400 V class, install a stepdown transformer.
- ③ The wiring distance between the inverter and brake unit (FR-BU2), and between the brake unit (FR-BU) and discharging resistor unit (FR-BR) must be within 5 m each. Even when the cable is twisted, the wiring length must be within 10 m.

NOTES

If the transistors in the brake unit should becomes faulty, the resistor will overheat. Install a magnetic contactor on the inverter's input side and configure a circuit that shut off the current in case of a fault.

Do not remove the jumper across terminals P/+ and P1 except when connecting a DC reactor (FR-HEL).

2.8.3 Connection of the brake unit (BU type)

Connect the brake unit (BU type) correctly as shown below. Incorrect connection will damage the inverter. Remove the jumpers across terminals HB and PC and terminals TB and HC of the brake unit and fit one across terminals PC and TB.

The BU type is compatible with FR-F820-02330(55K) or lower and FR-F840-01160(55K) and lower.

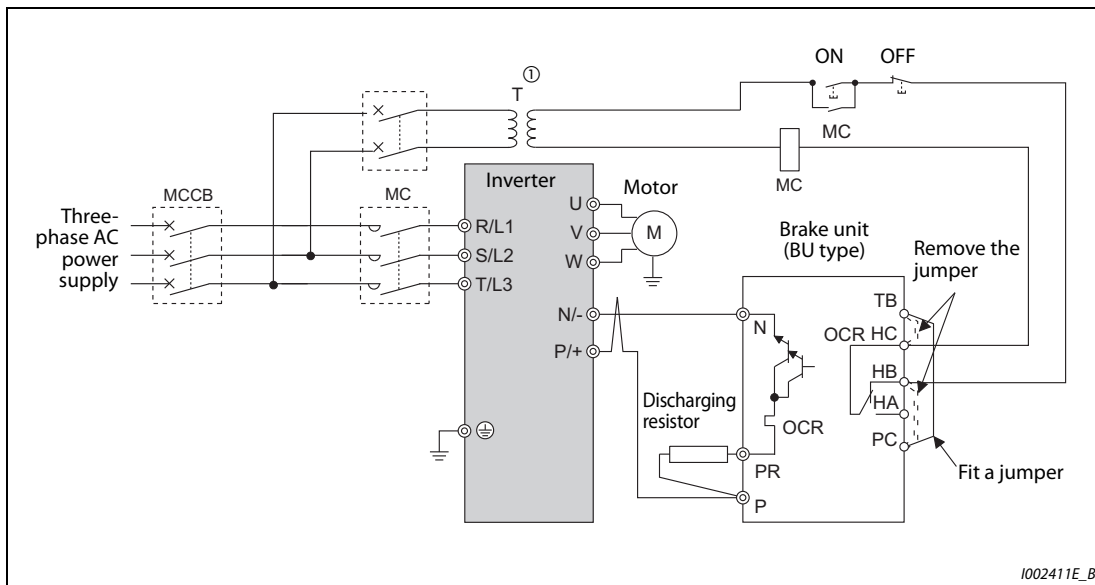


Fig. 2-52: Connection with the brake unit BU

① When the power supply is 400 V class, install a stepdown transformer.

NOTES

The wiring distance between the inverter and brake unit (BU type), and between the brake unit (BU type) and discharging resistor must be within 2 m each. Even when the cable is twisted, the wiring length must be within 5 m.

If the transistors in the brake unit should becomes faulty, the resistor will overheat and result in a fire. Install a magnetic contactor on the inverter's input side and configure a circuit that shut off the current in case of a fault.

Remove the jumper across terminals P/+ and P1 only when connecting a DC reactor (FR-HEL).

NOTES

The voltage phases of terminals R/L1, S/L2, and T/L3 and the voltage phases of terminals R4/L14, S4/L24, and T4/L34 must be matched.

The control logic (sink logic/source logic) of the high power factor converter and the inverter must be matched. (Refer to page 2-50.)

Do not connect a DC reactor (FR-HEL) to the inverter when FR-HC2 is connected.

2.8.5 Connection of the power regeneration common converter (FR-CV)

When connecting the power regeneration common converter (FR-CV), connect the inverter terminals (P/+, N/-) and the power regeneration common converter (FR-CV) terminals as shown below so that their symbols match with each other.

The FR-CV is applicable to the FR-F820-02330(55K) or lower and the FR-F840-01160(55K) or lower.

After making sure that the wiring is correct, set "2" in Pr. 30 "Regenerative function selection". (Refer to page 5-552.)

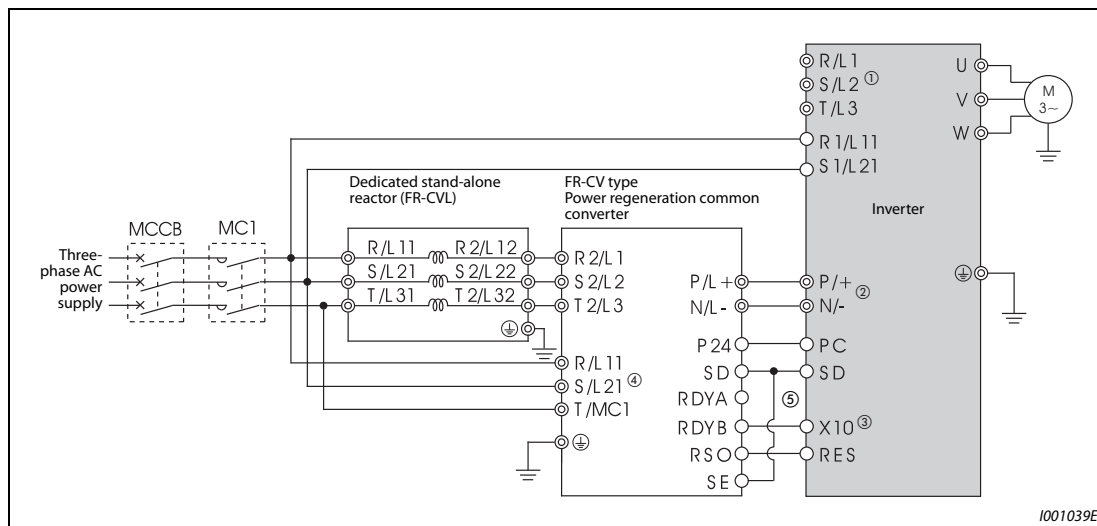


Fig. 2-54: Connection of the power regeneration common converter (FR-CV)

- ① Remove jumpers between terminals R/L1 and R1/L11 as well as between S/L2 and S1/L21, and connect the power supply for the control circuit to terminals R1/L11 and S1/L21. Do not connect anything to power input terminals (R/L1, S/L2, T/L3). Incorrect connection will damage the inverter. E.OPT (option fault) will occur. (Refer to page 6-25.)
- ② Do not insert an MCCB between terminals P/+ and N/- (between terminals P/L+ and P/+ or between N/L- and N/-). Connecting the opposite polarity of terminals N/- and P/+ will damage the inverter.
- ③ Use Pr. 178 to Pr. 189 (input terminal function selection) to assign the terminals used for the X10 signal. (Refer to page 5-285.)
- ④ Be sure to connect the power supply and terminals R/L11, S/L21, and T/MC1. Operating the inverter without connecting them will damage the power regeneration common converter.
- ⑤ Always connect terminal RDYB of the FR-CV to the inverter terminal where the X10 signal or the MRS signal is assigned to. Always connect terminal SE of the FR-CV to the inverter terminal SD. Not connecting these terminals may damage the FR-CV.

NOTES

- The voltage phases of terminals R/L11, S/L21, and T/MC1 and the voltage phases of terminals R2/L1, S2/L2, and T2/L3 must be matched.
- Use the sink logic (factory setting) when the FR-CV is connected. It cannot be connected when the source logic is selected.
- Do not connect a DC reactor (FR-HEL) to the inverter when FR-CV is connected.

2.8.6 Connection of the power regeneration converter (MT-RC)

When connecting the power regeneration converter (MT-RC), perform wiring securely as shown below. Incorrect connection will damage the power regeneration converter and the inverter. The MT-RC is applicable to FR-F840-01800(75K) or higher. After making sure that the wiring is correct, set "1" in Pr. 30 "Regenerative function selection".

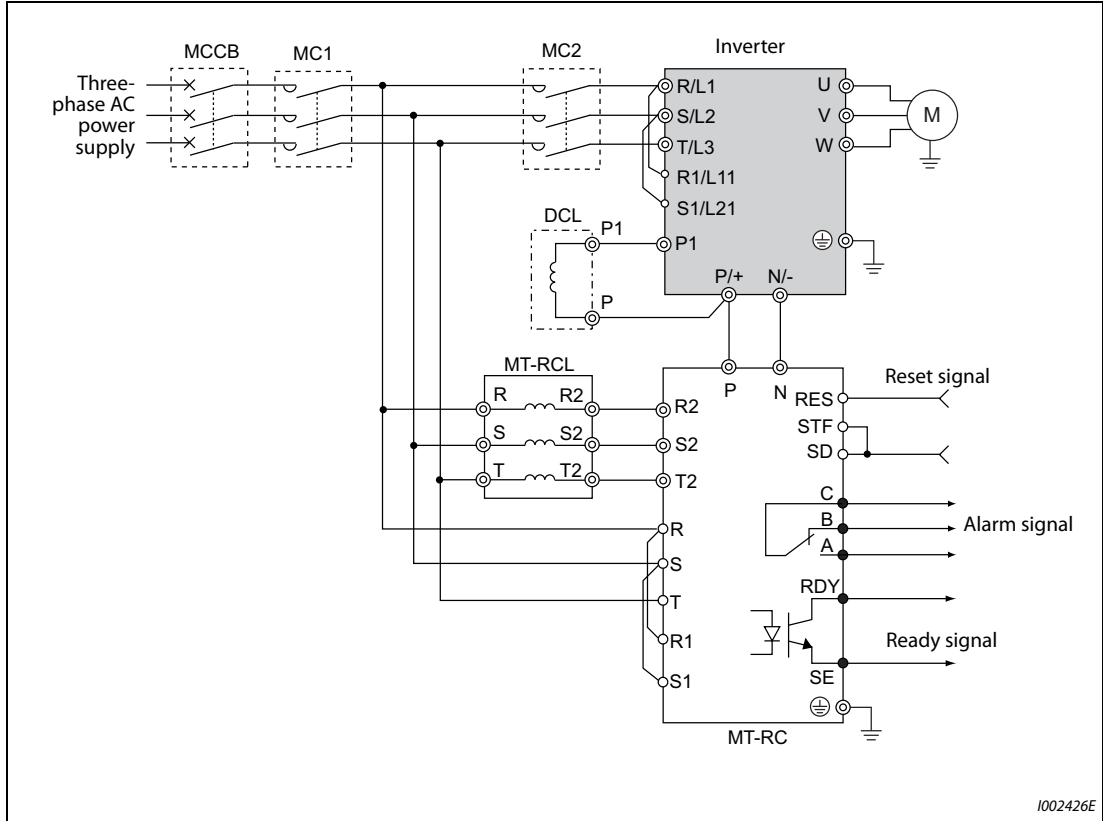
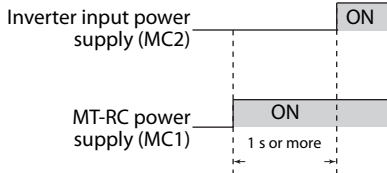


Fig. 2-55: Connection of the power regeneration converter (MT-RC)

NOTES

When using the inverter with the MT-RC, install a magnetic contactor (MC) at the input side of the inverter so that power is supplied to the inverter after 1 s or more has elapsed after powering ON the MT-RC. When power is supplied to the inverter prior to the MT-RC, the inverter and the MT-RC may be damaged or the MCCB may trip or be damaged.



When connecting the power coordination reactor and others, refer to Instruction Manual of the MT-RC for precautions.

2.8.7 Connection of the DC reactor (FR-HEL)

- Keep the surrounding air temperature within the permissible range (-10 °C to +50 °C). Keep enough clearance around the reactor because it heats up. (Take 10 cm or more clearance on top and bottom and 5 cm or more on left and right regardless of the installation direction.)

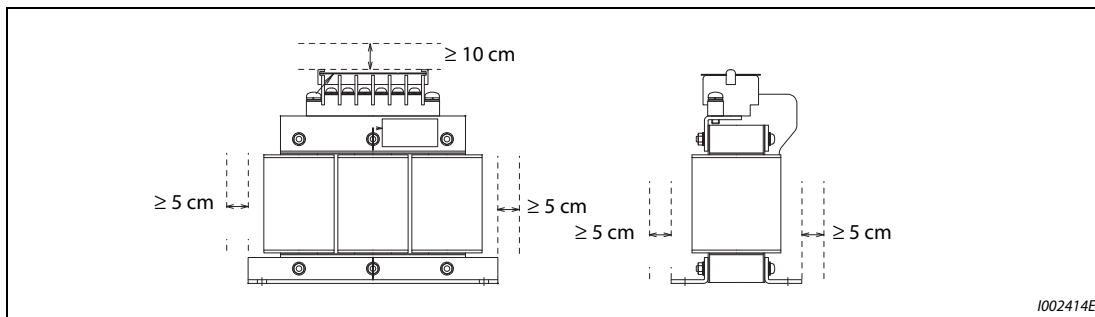


Fig. 2-56: Clearances around the DC reactor (FR-HEL)

- When using the DC reactor (FR-HEL), connect it across terminals P/+ and P1. For the FR-F820-02330(55K) or lower and FR-F840-01160(55K) or lower, the jumper connected across terminals P/+ and P1 must be removed. Otherwise, the reactor will not be effective.

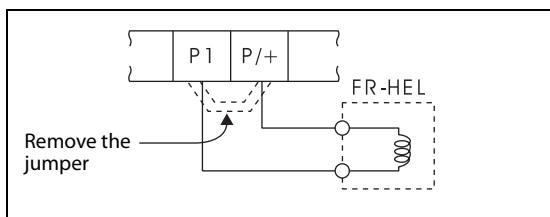


Fig. 2-57: Connection of the DC reactor (FR-HEL)

- Select a DC reactor according to the applied motor capacity. (Refer to page 8-1.) For the FR-F820-03160(75K) or higher, the FR-F840-01800(75K) or higher, always connect a DC reactor.
- Since the DC reactor (FR-HEL) is electrically connected to the enclosure through mounting screws, the DC reactor is earthed (grounded) by being securely mounted to the enclosure. However, if the DC reactor is not earthed (grounded) securely enough, an earthing (grounding) cable may be used. When using an earthing (grounding) cable for FR-HEL-(H)55K or lower, wire the cable to the installation hole where varnish is removed. For FR-FR-HEL-(H)75K or higher, use an earth (ground) terminal to perform earthing (grounding). (Refer to the Instruction Manual of the FR-HEL.)

NOTES

- | The wiring distance must be within 5 m.
- | As a reference, the cable gauge for the connection must be equal to or larger than that of the power supply cables (R/L1, S/L2, T/L3) and the earthing (grounding) cable. (Refer to page 2-37.)

2.8.8 Installing a communication option (FR-F800-E)

To use a communication option, the enclosed earthing (grounding) cable needs to be installed. Install the cable according to the following procedure.

- ① Insert spacers into the mounting holes that will not be tightened with the option mounting screws.
- ② Fit the connector of the communication option to the guide of the connector of the inverter, and insert the option as far as it goes. (Insert it to the inverter option connector 1.)
- ③ Remove the mounting screw (lower) of the Ethernet board earth plate. Fit the one terminal of the earthing (grounding) cable on the Ethernet board earth plate and fix it securely to the inverter with the mounting screw (tightening torque 0.33 Nm to 0.40 Nm).
- ④ Fix the left part of the communication option securely with the option mounting screw, and place another terminal of the earthing (grounding) cable on the right part of the option and fix the cable terminal and the option with the option mounting screw (tightening torque 0.33 Nm to 0.40 Nm). If the screws are not tightened properly, the connector may not be inserted deep enough. Check the connector.

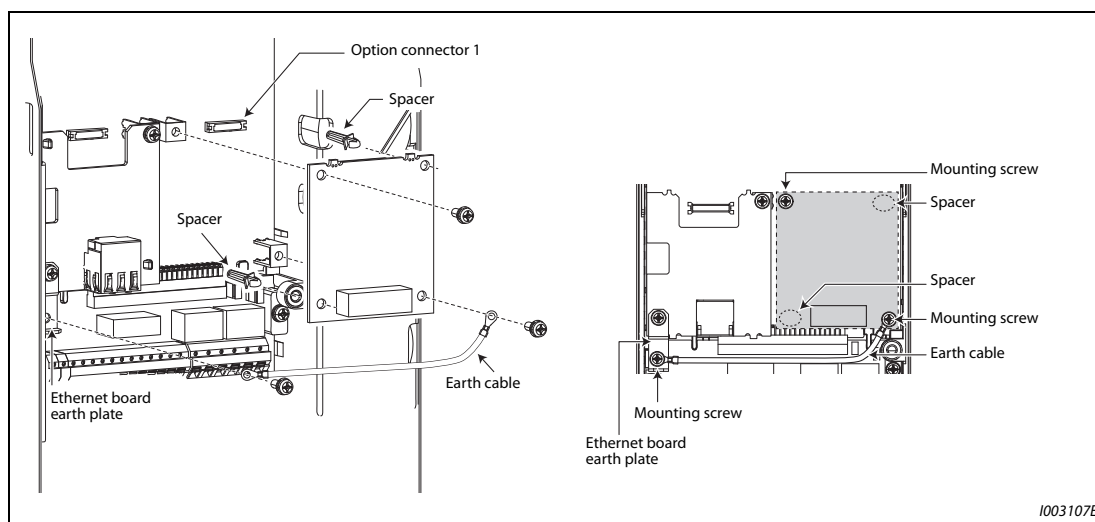


Fig. 2-58: Installing a communication option on the FR-F800-E using FR-A8NC for example

NOTES

The number and shape of the spacers used differ depending on the communication option type. Refer to the Instruction Manual of each communication option for details.

The earth plate enclosed with a communication option is not used.

2.9 System configuration for Ethernet communication (FR-F800-E)

2.9.1 Ethernet communication overview

The FR-F800-E inverter is equipped with an Ethernet board. Communication with network devices can be made via Ethernet by connecting an Ethernet cable to the Ethernet connector on the Ethernet board.

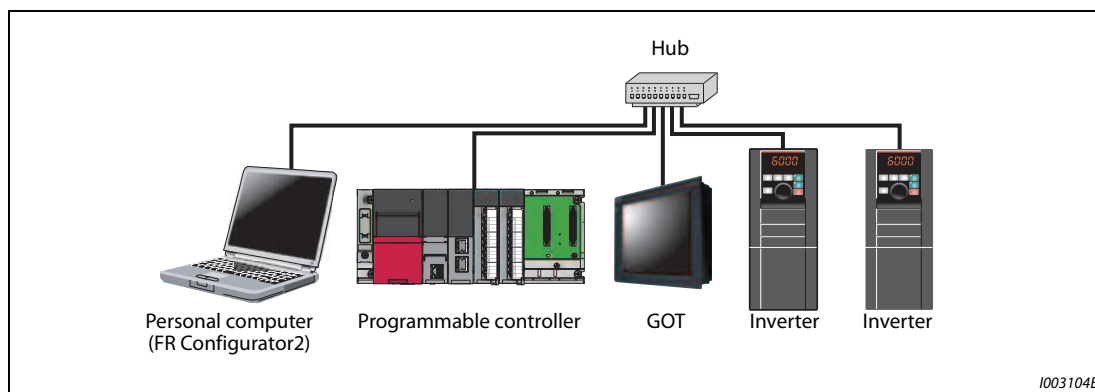


Fig. 2-59: Ethernet communication system configuration

- Precautions for Ethernet communication
 - In order to protect the inverter and the system against unauthorized access by external systems via network, take security measures including firewall settings.
 - Depending on the network environment, the inverter may not operate as intended due to delays or disconnection in communication. Carefully consider the conditions and safety for the inverter on site.

2.9.2 Ethernet connector

- Ethernet communication specifications

Item	Description
Category	100BASE-TX/10BASE-T
Data transmission speed	100 Mbps (100BASE-TX) / 10 Mbps (10BASE-T)
Transmission method	Baseband
Maximum segment length	100 m between the hub and the inverter
Number of cascade connection stages	Up to 2 (100BASE-TX) / up to 4 (10BASE-T)
Interface	RJ-45
Number of interfaces available	1
IP version	IPv4

Tab. 2-35: Specifications

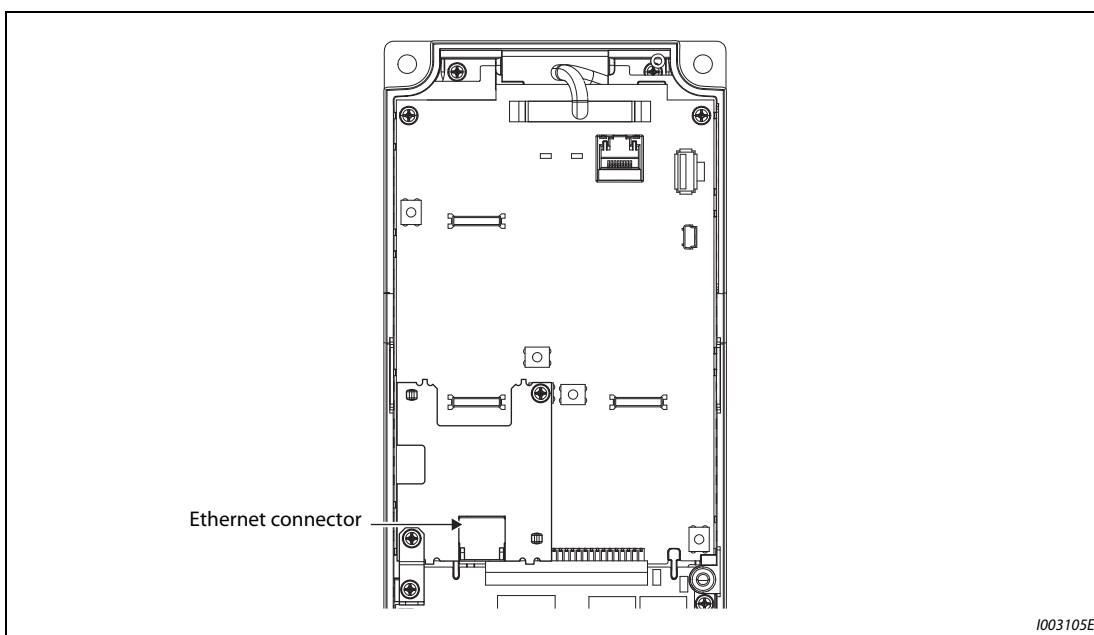


Fig. 2-60: Ethernet connector position

- Connection cable

Use Ethernet cables compliant with the following standards.

Communication speed	Cable	Connector	Standard
100 Mbps	Category 5 or higher, (STP, shielded twisted pair) straight cable	RJ-45 connector	100BASE-TX
10 Mbps	Category 3 or higher, (sSTP, shielded twisted pair) straight cable		10BASE-T
	Category 3 or higher, (UTP, unshielded twisted pair) straight cable		

Tab. 2-36: Ethernet cables specifications

- Hub
 - Use a hub that supports transmission speed of the Ethernet.
- Ethernet cable wiring precautions
 - Do not touch the conductors of the cable or the connector on the inverter. Keep the conductors free of dust or dirt. Handling the conductors with oily hands or dust/dirt adhesion to the conductors may cause transmission losses and impair normal data link operation.
 - Check the Ethernet cable for the following points before use:
 - The cable is not broken.
 - The cable does not have a short circuit.
 - The connector is properly installed.
 - Do not use an Ethernet cable with a broken latch. Doing so may cause the cable to come off or malfunction.
 - Do not connect the Ethernet cable to the PU connector. The product could be damaged due to differences in electrical specifications.
 - The maximum distance between stations is specified as 100 m. However, the maximum distance may be shorter depending on the environment. For details of the cable, contact your cable manufacturer.
- Connecting and disconnecting of the Ethernet cable
 - Hold the cable connector when connecting and disconnecting the Ethernet cable. Pulling a cable connected to the inverter may damage the inverter or cable, or result in malfunction due to poor contact.
- Network configuration
 - Check the network configuration before wiring, and perform correct wiring.

2.9.3 Removal of the Ethernet board

The option connector 2 is not available for use because the Ethernet board is installed in the initial status. The Ethernet board must be removed as follows to install a plug-in option to the option connector 2. (However, Ethernet communication is disabled in that case.)

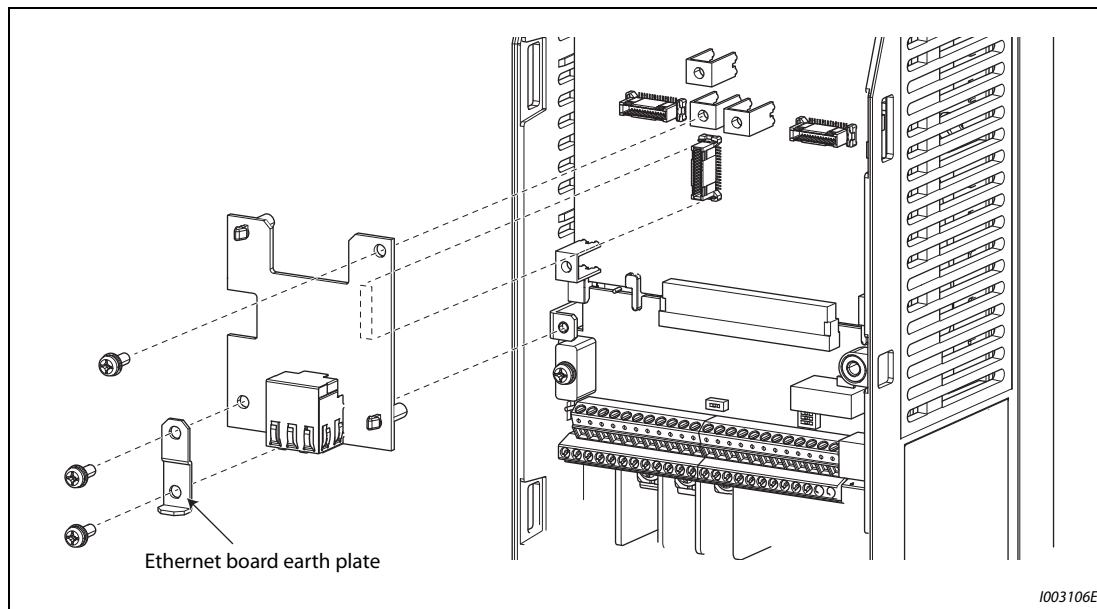


Fig. 2-61: Removal of the Ethernet board

- ① Remove the inverter front cover. (For details on how to remove the front cover, refer to section 2.2.)
- ② Remove the three mounting screws to remove the Ethernet board earth plate and the Ethernet board.

NOTES

For reinstalling the Ethernet board to the inverter, remove the plug-in option installed to the option connector 2 and install the Ethernet board and its earth plate in the reverse order.

Remove the Ethernet board on the FR-F800-E inverter to install the FR-A8NS and FR-A8AP/FR-A8AL for the SSCNET III(/H) communication.

3 Precautions for use of the inverter

3.1 Electro-magnetic interference (EMI) and leakage currents

3.1.1 Leakage currents and countermeasures

Capacitances exist between the inverter I/O cables, other cables and earth and in the motor, through which a leakage current flows. Since its value depends on the static capacitances, carrier frequency, etc., low acoustic noise operation at the increased carrier frequency of the inverter will increase the leakage current. Therefore, take the following countermeasures. Select the earth leakage current breaker according to its rated sensitivity current, independently of the carrier frequency setting.

To-earth (ground) leakage currents

Leakage currents may flow not only into the inverter's own line but also into the other lines through the earthing (grounding) cable, etc. These leakage currents may operate earth leakage circuit breakers and earth leakage relays unnecessarily.

- Suppression technique
 - If the carrier frequency setting is high, decrease the Pr. 72 "PWM frequency selection" setting. Note that motor noise increases. Selecting Pr. 240 "Soft-PWM operation selection" makes the sound inoffensive.
 - By using earth leakage circuit breakers designed for harmonic and surge suppression in the inverter's own line and other line, operation can be performed with the carrier frequency kept high (with low noise).
- To-earth (ground) leakage currents
 - Take caution as long wiring will increase the leakage current. Decreasing the carrier frequency of the inverter reduces the leakage current.
 - Increasing the motor capacity increases the leakage current. The leakage current of the 400 V class is larger than that of the 200 V class.

Line-to-line leakage currents

Harmonics of leakage currents flowing in static capacitances between the inverter output cables may operate the external thermal relay unnecessarily. When the wiring length is long (50 m or more) for the 400 V class small-capacity models (FR-F840-00170(7.5K) or lower), the external thermal relay is likely to operate unnecessarily because the ratio of the leakage current to the rated motor current increases.

Example ▽

Line-to-line leakage current example (200 V class)

Motor: SF-JR 4P

Carrier frequency: 14.5 kHz

Cable: 2 mm², 4 cores

Cable type: Cabtyre cable

Motor capacity [kW]	Rated motor current [A]	Leakage current [mA] ①	
		Wiring length 50 m	Wiring length 100 m
0.4	1.8	310	500
0.75	3.2	340	530
1.5	5.8	370	560
2.2	8.1	400	590
3.7	12.8	440	630
5.5	19.4	490	680
7.5	25.6	535	725

Tab. 3-1: Line-to-line leakage current data example

① The leakage currents of the 400 V class are about twice as large.

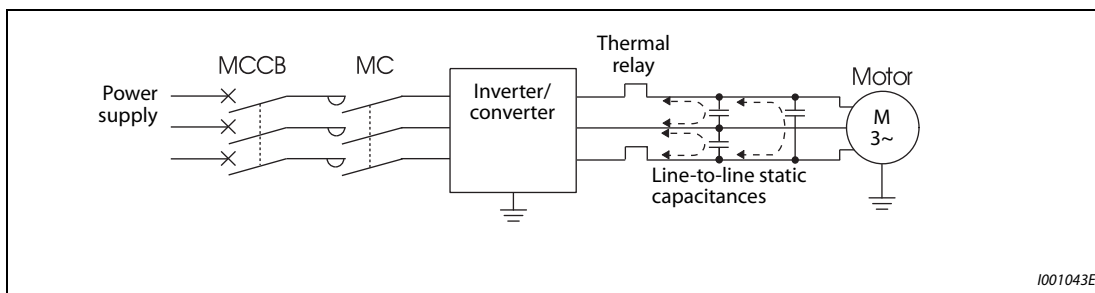


Fig. 3-1: Line-to-line leakage currents



● Countermeasures

- Use Pr. 9 "Electronic thermal O/L relay".
- If the carrier frequency setting is high, decrease the Pr. 72 "PWM frequency selection" setting. Note that motor noise increases. Selecting Pr. 240 "Soft-PWM operation selection" makes the sound inoffensive.
To ensure that the motor is protected against line-to-line leakage currents, it is recommended to use a temperature sensor to directly detect motor temperature.

● Installation and selection of the molded case circuit breaker

Install a molded case circuit breaker (MCCB) on the power receiving side to protect the wiring at the inverter input side. Select an MCCB according to the inverter input side power factor, which depends on the power supply voltage, output frequency and load. Especially for a completely electromagnetic MCCB, a slightly large capacity must be selected since its operation characteristic varies with harmonic currents. (Check it in the data of the corresponding breaker.) As an earth leakage current breaker, use the Mitsubishi earth leakage current breaker designed for harmonics and surge suppression.

Selecting the rated sensitivity current for the earth leakage circuit breaker

When using an earth leakage circuit breaker with the inverter circuit, select its rated sensitivity current as follows, independently of the PWM carrier frequency.

- Breaker designed for harmonic and surge suppression
 Rated sensitivity current
 $I_{\Delta n} \geq 10 \times (I_{g1} + I_{gn} + I_{gi} + I_{g2} + I_{gm})$
- Standard breaker
 Rated sensitivity current
 $I_{\Delta n} \geq 10 \times \{I_{g1} + I_{gn} + I_{gi} + 3 \times (I_{g2} + I_{gm})\}$

I_{g1}, I_{g2}: Leakage currents in wire path during commercial power supply operation

I_{gn}: Leakage current of inverter input side noise filter

I_{gm}: Leakage current of motor during commercial power supply operation

I_{gi}: Leakage current of inverter unit

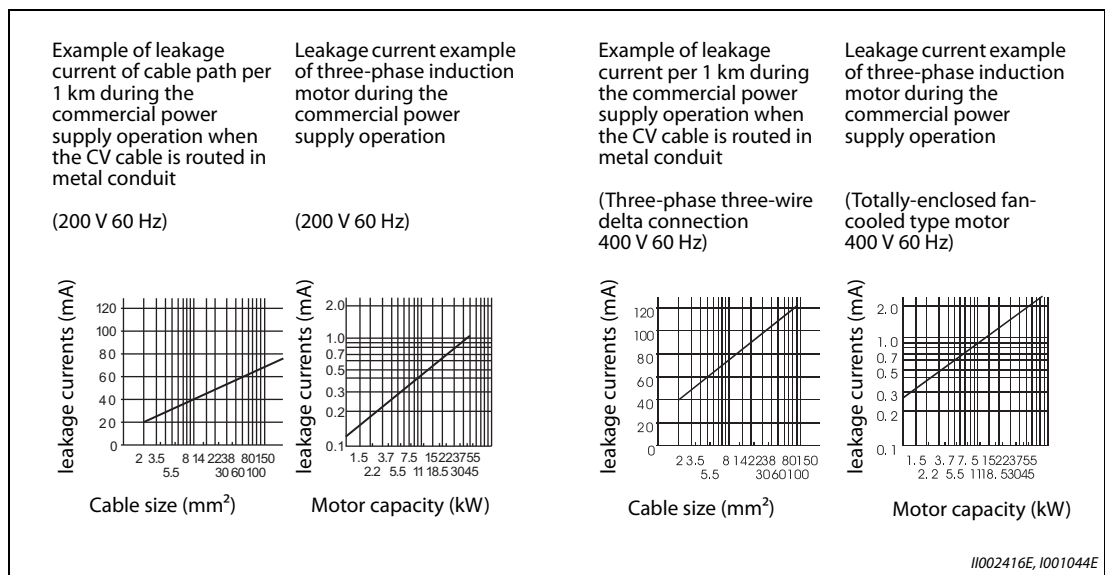
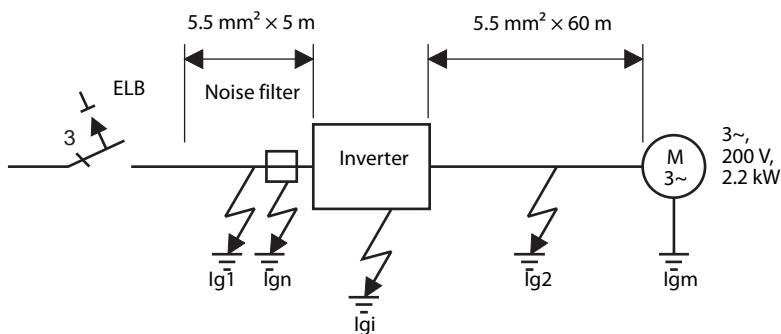


Fig. 3-2: Leakage currents

NOTE

For star connection, the amount of leakage current is approx. 1/3 of the above value.

Example ▽



	Breaker designed for harmonic and surge suppression	Standard breaker
Leakage current I_{g1} (mA)	$33 \times \frac{5 \text{ m}}{1000 \text{ m}} = 0.17$	
Leakage current I_{gn} (mA)	0 (without noise filter)	
Leakage current I_{gi} (mA)	1 (without EMC filter) For the leakage current of the inverter, refer to the following table.	
Leakage current I_{g2} (mA)	$33 \times \frac{50 \text{ m}}{1000 \text{ m}} = 1.65$	
Motor leakage current I_{gm} (mA)	0.18	
Total leakage current (mA)	3.00	6.66
Rated sensitivity current (mA) ($\geq I_g \times 10$)	30	100

Tab. 3-2: Estimation of the permanent flowing leakage current

Inverter leakage current (with and without EMC filter)

Input power conditions:

(200 V class: 220 V/60 Hz, 400 V class: 440 V/60 Hz, power supply unbalance within 3%)

	Voltage (V)	EMC filter	
		ON (mA)	OFF (mA)
Phase grounding 	200	22	1
	400	35	2
Earthed-neutral system 	400	2	1

Tab. 3-3: Inverter leakage current (with and without built-in EMC filter)



NOTES

Install the earth leakage circuit breaker (ELB) on the input side of the inverter.

In the star connection earthed-neutral system, the sensitivity current is blunt against a ground fault in the inverter output side. Earthing (Grounding) must conform to the requirements of national and local safety regulations and electrical codes. (NEC section 250, IEC 536 class 1 and other applicable standards)

When the breaker is installed on the output side of the inverter, it may be unnecessarily operated by harmonics even if the effective value is within the rating.
In this case, do not install the breaker since the eddy current and hysteresis loss will increase, leading to temperature rise.

The following models are standard breakers: BV-C1, BC-V, NVB, NV-L, NV-G2N, NV-G3NA, NV-2F, earth leakage relay (except NV-ZHA), and NV with AA neutral wire open-phase protection. The other models are designed for harmonic and surge suppression: NV-C/NV-S/MN series, NV30-FA, NV50-FA, BV-C2, earth leakage alarm breaker (NF-Z), NV-ZHA, and NV-H.

3.1.2 Countermeasures against inverter-generated EMI

Some electromagnetic noises enter the inverter to malfunction it, and others are radiated by the inverter to cause the peripheral devices to malfunction. Though the inverter is designed to have high immunity performance, it handles low-level signals, so it requires the following basic techniques. Also, since the inverter chops outputs at high carrier frequency, that could generate electromagnetic noises. If these electromagnetic noises cause peripheral devices to malfunction, EMI countermeasures should be taken to suppress noises. These techniques differ slightly depending on EMI paths.

- Basic techniques
 - Do not run the power cables (I/O cables) and signal cables of the inverter in parallel with each other and do not bundle them.
 - Use shielded twisted pair cables for the detector connecting and control signal cables and connect the sheathes of the shielded cables to terminal SD.
 - Ground (Earth) the inverter, motor, etc. at one point.
- Techniques to reduce electromagnetic noises that enter and cause a malfunction of the inverter (EMI countermeasures)

When devices that generate many electromagnetic noises (which use magnetic contactors, electromagnetic brakes, many relays, for example) are installed near the inverter and the inverter may malfunction due to electromagnetic noises, the following countermeasures must be taken:

 - Provide surge suppressors for devices that generate many electromagnetic noises to suppress electromagnetic noises.
 - Install data line filters (page 3-8) to signal cables.
 - Ground (Earth) the shields of the detector connection and control signal cables with cable clamp metal.
- Techniques to reduce electromagnetic noises that are radiated by the inverter to cause the peripheral devices to malfunction (EMI countermeasures)

Inverter-generated noises are largely classified into

- those radiated by the cables connected to the inverter and inverter main circuits (I/O),
- those electromagnetically and electrostatically induced to the signal cables of the peripheral devices close to the main circuit power supply,
- and those transmitted through the power supply cables.

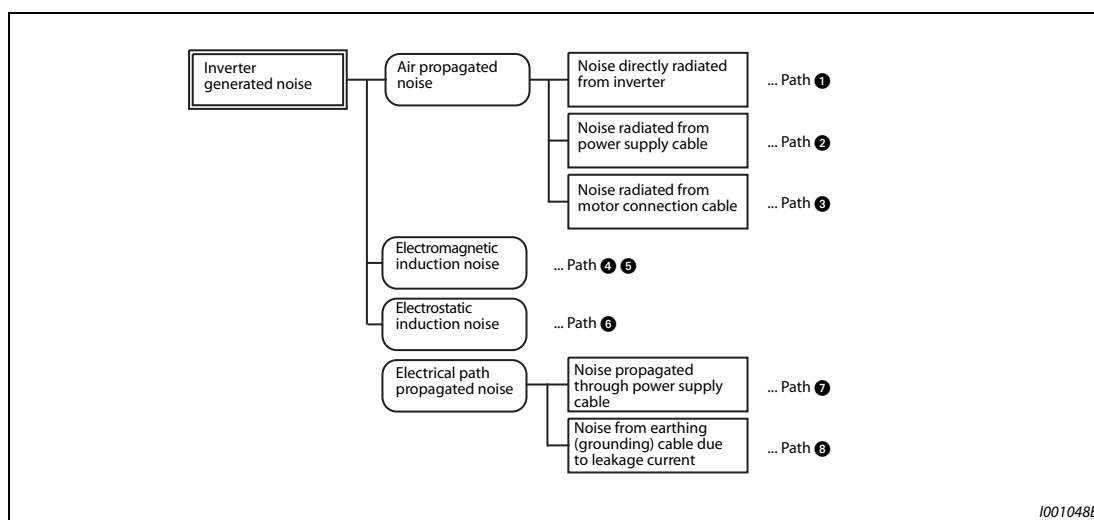


Fig. 3-3: Noise propagation

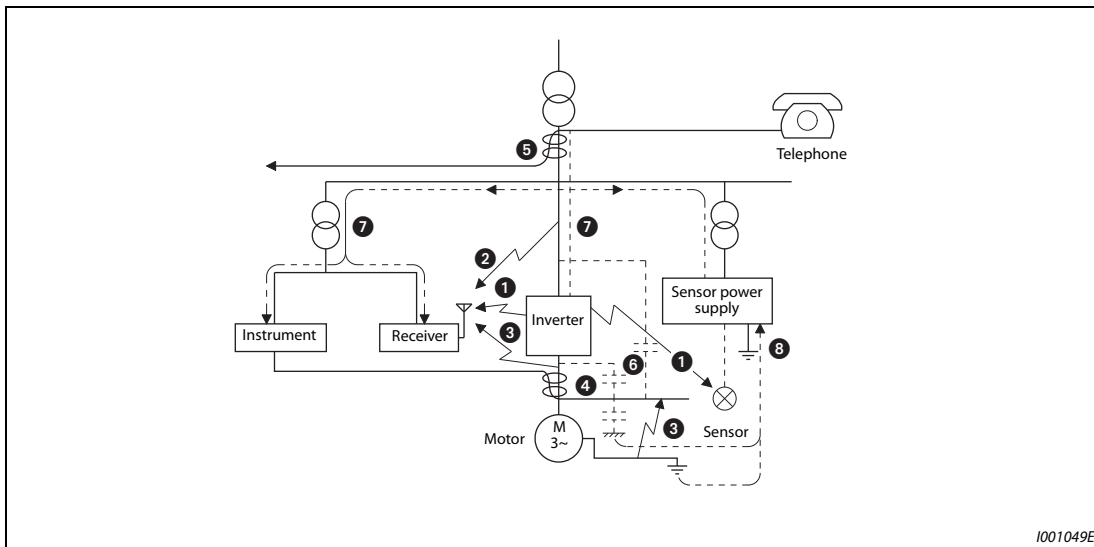


Fig. 3-4: Noise paths

Noise propagation path	Countermeasure
① ② ③	<p>When devices that handle low-level signals and are liable to malfunction due to electromagnetic noises, e.g. instruments, receivers and sensors, are contained in the enclosure that contains the inverter or when their signal cables are run near the inverter, the devices may malfunction due to by air-propagated electromagnetic noises. The following countermeasures must be taken:</p> <ul style="list-style-type: none"> • Install easily affected devices as far away as possible from the inverter. • Run easily affected signal cables as far away as possible from the inverter and its I/O cables. • Do not run the signal cables and power cables (inverter I/O cables) in parallel with each other and do not bundle them. • Set the EMC filter ON/OFF connector of the inverter to the ON position. (Refer to page 3-9.) • Inserting a line noise filter into the output suppresses the radiated noise from the cables. • Use shielded cables as signal cables and power cables and run them in individual metal conduits to produce further effects.
④ ⑤ ⑥	<p>When the signal cables are run in parallel with or bundled with the power cables, magnetic and static induction noises may be propagated to the signal cables to cause malfunction of the devices and the following countermeasures must be taken:</p> <ul style="list-style-type: none"> • Install easily affected devices as far away as possible from the inverter. • Run easily affected signal cables as far away as possible from the inverter and its I/O cables. • Do not run the signal cables and power cables (inverter I/O cables) in parallel with each other and do not bundle them. • Use shielded cables as signal cables and power cables and run them in individual metal conduits to produce further effects.
⑦	<p>When the power supplies of the peripheral devices are connected to the power supply of the inverter in the same line, inverter-generated noises may flow back through the power supply cables to cause malfunction of the devices and the following countermeasures must be taken:</p> <ul style="list-style-type: none"> • Set the EMC filter ON/OFF connector of the inverter to the ON position. (Refer to page 3-9.) • Install the line noise filter (FR-BLF, FR-BSF01) to the power cables (output cables) of the inverter.
⑧	<p>When a closed loop circuit is formed by connecting the peripheral device wiring to the inverter, leakage currents may flow through the earthing (grounding) cable of the inverter to cause the device to malfunction. In that case, disconnecting the earthing (grounding) cable from the device may stop the malfunction of the device.</p>

Tab. 3-4: Noise and Countermeasures

Data line filter

Data line filter is effective as an EMI countermeasure.
Provide a data line filter for the detector cable, etc.

Example ▽

Data line filter: ZCAT3035-1330 (by TDK)
ESD-SR-250 (by NEC TOKIN)

Impedance (Ω)	
10 to 100 MHz	100 to 500 MHz
80	150

Tab. 3-5: Impedance (ZCAT3035-1330)

The impedance values above are reference values, and not guaranteed values.

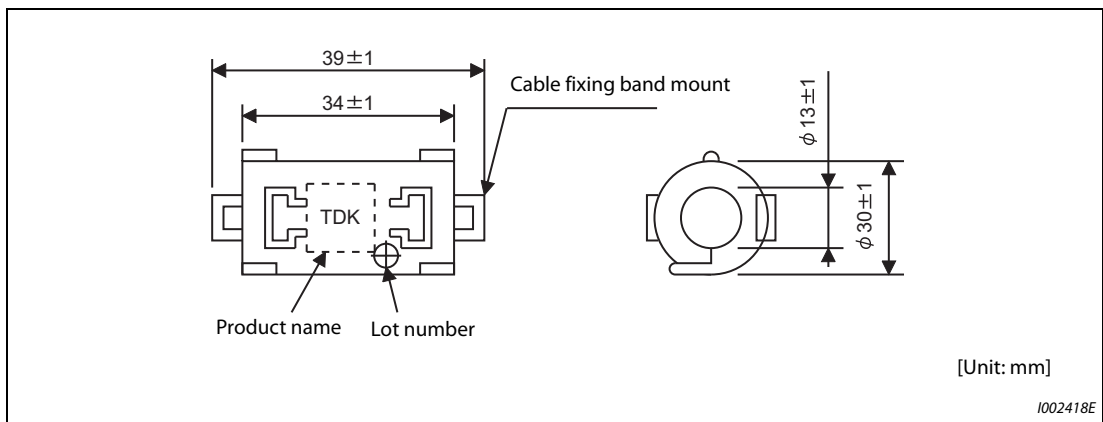


Fig. 3-5: Outline dimension drawing (ZCAT3035-1330)



EMI countermeasure example

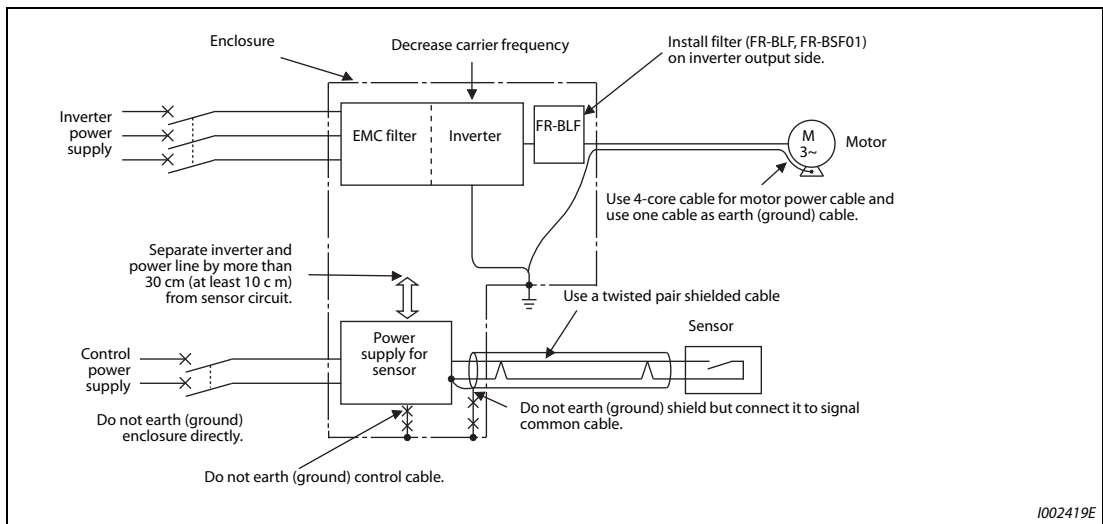


Fig. 3-6: Noise reduction examples

NOTE

For compliance with the EU EMC Directive, refer to the Installation Guideline.

3.1.3 Built-in EMC filter

This inverter is equipped with a built-in EMC filter (capacitive filter) and a common mode choke. Those filters are effective in reducing air-propagated noise on the input side of the inverter.

To enable the EMC filter, fit the EMC filter ON/OFF connector to the ON position. The FM type is initially set to "disabled" (OFF), and the CA type to "enabled" (ON).

The input side common mode choke, which is built in the FR-F820-02330(55K) or lower and FR-F840-01160(55K) or lower inverter, is always enabled regardless of the EMC filter ON/OFF connector setting.

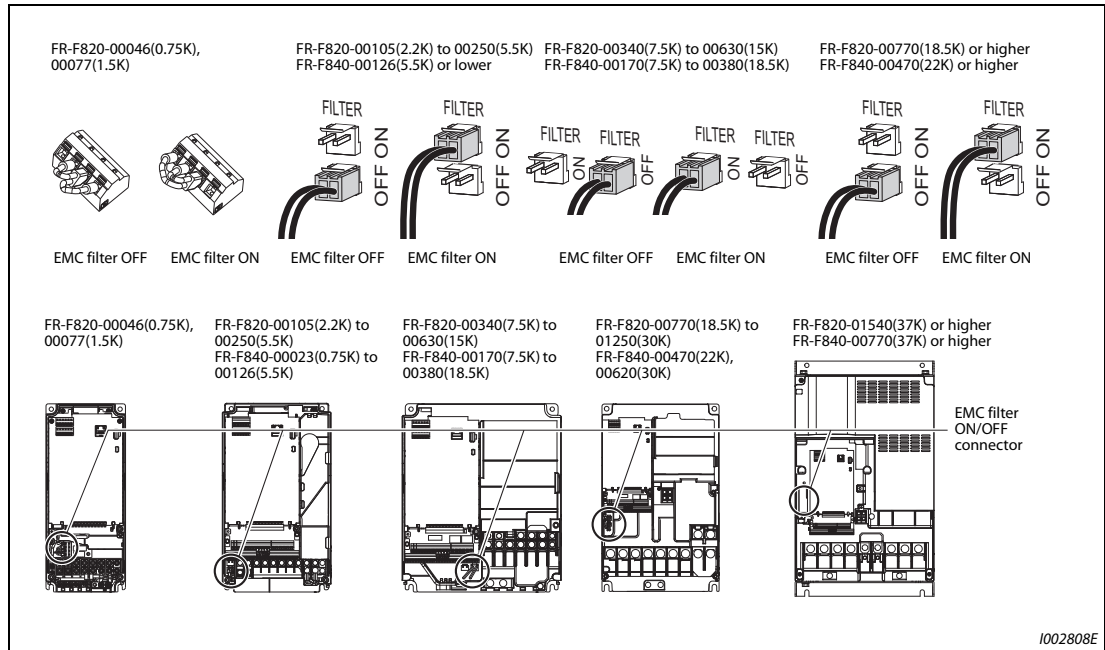


Fig. 3-7: Built-in EMC filter

How to enable or disable the filter

- Before removing a front cover, check to make sure that the indication of the inverter operation panel is OFF, wait for at least 10 minutes after the power supply has been switched OFF, and check that there is no residual voltage using a tester or the like.
- For FR-F820-00105(2.2K) or higher and FR-F840-00023(0.75K) or higher

When disconnecting the connector, push the fixing tab and pull the connector straight without pulling the cable or forcibly pulling the connector with the tab fixed.

When installing the connector, also engage the fixing tab securely.

If it is difficult to disconnect the connector, use a pair of needle-nose pliers, etc.

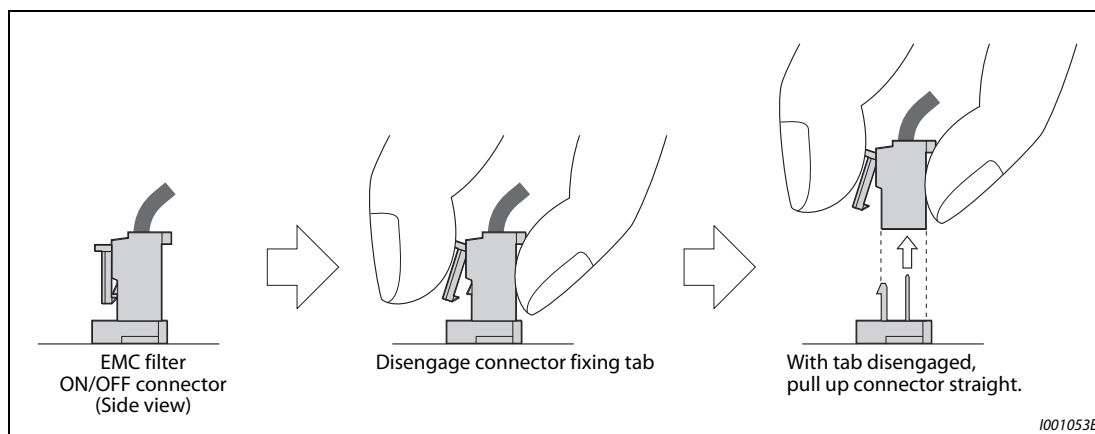


Fig. 3-8: Activating the built-in EMC filter

- For FR-F820-00077(1.5K) or lower
 - Remove the control circuit terminal block. (Refer to page 7-11.)
 - Connect the shorting wire to the corresponding terminal to enable or disable the filter. Connect the wire to the terminal in the same way as general wiring of the control circuit terminal block. (Refer to page 2-53.)
 - After switching, reinstall the control circuit terminal block as it was.

NOTES

Fit the connector or shorting wire to either ON or OFF position.

Enabling (turning ON) the EMC filter increases leakage current. (Refer to page 3-3.)

**WARNING:**

While power is ON or when the inverter is running, do not open the front cover. Otherwise you may get an electric shock.

3.2 Power supply harmonics

3.2.1 Power supply harmonics

The inverter may generate power supply harmonics from its converter circuit to affect the power generator, power factor correction capacitor etc. Power supply harmonics are different from noise and leakage currents in source, frequency band and transmission path. Take the following countermeasure suppression techniques.

The differences between harmonics and noises

Item	Harmonics	Noise
Frequency	Normally 40th to 50th degrees or less (3 kHz or less).	High frequency (several 10 kHz to 1 GHz order).
Location	To-electric channel, power impedance.	To-space, distance, wiring path,
Quantitative understanding	Theoretical calculation possible.	Random occurrence, quantitative grasping difficult.
Generated amount	Nearly proportional to the load capacity.	Changes with the current variation ratio. (Gets larger as switching speed increases.)
Affected equipment immunity	Specified by standards per equipment.	Different depending on maker's equipment specifications.
Countermeasure	Provide a reactor.	Increase distance.

Tab. 3-6: Differences between harmonics and noises

Countermeasures

The harmonic current generated from the inverter to the input side differs according to various conditions such as the wiring impedance, whether a reactor is used or not, and output frequency and output current on the load side.

For the output frequency and output current, we understand that this should be calculated in the conditions under the rated load at the maximum operating frequency.

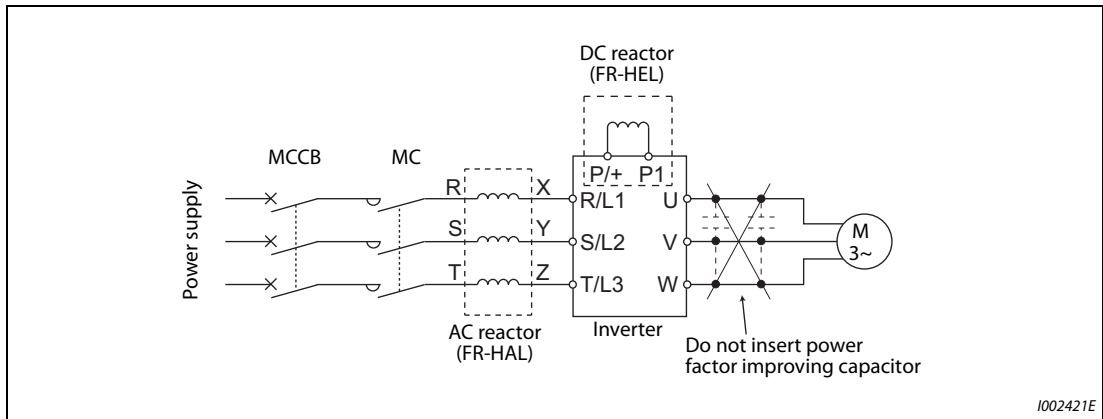


Fig. 3-9: Reduction of power supply harmonics

NOTE

The power factor improving capacitor and surge suppressor on the inverter output side may be overheated or damaged by the harmonic components of the inverter output. Also, since an excessive current flows in the inverter to activate overcurrent protection, do not provide a capacitor and surge suppressor on the inverter output side when the motor is driven by the inverter. For power factor improvement, install a reactor on the inverter input side or in the DC circuit.

3.2.2 Harmonic suppression guidelines

Inverters have a converter section (rectifier circuit) and generate a harmonic current.

Harmonic currents flow from the inverter to a power receiving point via a power transformer. The Harmonic Suppression Guidelines was established to protect other consumers from these outgoing harmonic currents.

The three-phase 200 V input specifications 3.7 kW or lower were previously covered by "the Harmonic Suppression Guidelines for Household Appliances and General-purpose Products" and other models were covered by "the Harmonic Suppression Guidelines for Consumers Who Receive High Voltage or Special High Voltage". However, the transistorized inverter has been excluded from the target products covered by "the Harmonic Suppression Guidelines for Household Appliances and General-purpose Products" in January 2004 and "the Harmonic Suppression Guideline for Household Appliances and General-purpose Products" was repealed on September 6, 2004.

All capacity and all models of general-purpose inverter used by specific consumers are now covered by "the Harmonic Suppression Guidelines for Consumers Who Receive High Voltage or Special High Voltage" (hereinafter referred to as "the Specific Consumer Guidelines").

"Specific Consumer Guidelines"

This guideline sets forth the maximum harmonic currents outgoing from a high-voltage or especially high-voltage receiving consumer who will install, add or renew harmonic generating equipment. If any of the maximum values is exceeded, this guideline requires that consumer to take certain suppression measures.

Received power voltage	5th	7th	11th	13th	17th	19th	23rd	Over 23rd
6.6 kV	3.5	2.5	1.6	1.3	1.0	0.9	0.76	0.70
22 kV	1.8	1.3	0.82	0.69	0.53	0.47	0.39	0.36
33 kV	1.2	0.86	0.55	0.46	0.35	0.32	0.26	0.24

Tab. 3-7: Maximum values of outgoing harmonic currents per 1 kW contract power

Application of the specific consumer guidelines

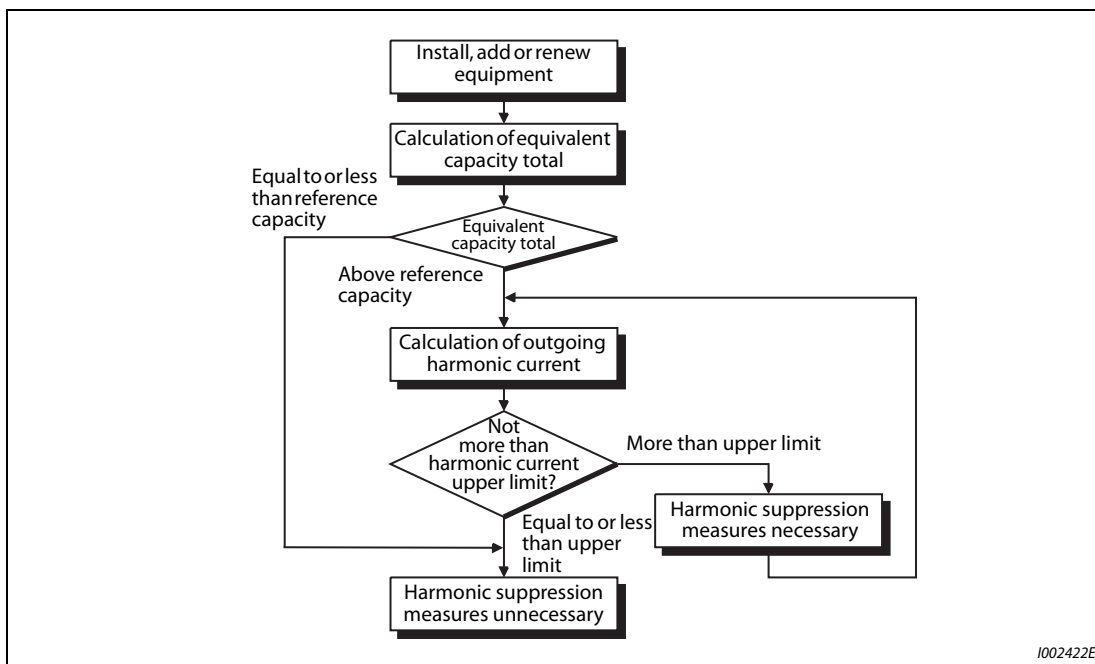


Fig. 3-10: Application of the specific consumer guidelines

Classification	Circuit type		Conversion coefficient Ki
3	Three-phase bridge (Capacitor smoothing)	Without reactor	K31 = 3.4
		With reactor (AC side)	K32 = 1.8
		With reactor (DC side)	K33 = 1.8
		With reactors (AC, DC sides)	K34 = 1.4
5	Self-excitation three-phase bridge	When a high power factor converter is used	K5 = 0

Tab. 3-8: Conversion factors

Received power voltage	Reference capacity
6.6 kV	50 kVA
22/33 kV	300 kVA
≥ 66 kV	2000 kVA

Tab. 3-9: Equivalent Capacity Limits

Reactor	5th	7th	11th	13th	17th	19th	23rd	25th
Not used	65	41	8.5	7.7	4.3	3.1	2.6	1.8
Used (AC side)	38	14.5	7.4	3.4	3.2	1.9	1.7	1.3
Used (DC side)	30	13	8.4	5.0	4.7	3.2	3.0	2.2
Used (AC, DC sides)	28	9.1	7.2	4.1	3.2	2.4	1.6	1.4

Tab. 3-10: Harmonic content (Values of the fundamental current is 100%)

- Calculation of equivalent capacity P0 of harmonic generating equipment
 "Equivalent capacity" is the capacity of a 6-pulse converter converted from the capacity of consumer's harmonic generating equipment and is calculated by the following equation: If the sum of equivalent capacities is higher than the limit in tab. 3-9, harmonics must be calculated with the following procedure:

$$P_0 = \sum (K_i \times P_i) \text{ [kVA]}$$

K_i: Conversion coefficient (refer to tab. 3-8)

P_i: Rated capacity of harmonic generating equipment ^① [kVA]

i: Number indicating the conversion circuit type

^① Rated capacity: Determined by the capacity of the applied motor and found in tab. 3-11. The rated capacity used here is used to calculate the generated harmonic amount and is different from the power supply capacity required for actual inverter drive.

● Calculation of outgoing harmonic current

Outgoing harmonic current

= fundamental wave current (value converted from received power voltage)

× operation ratio × harmonic content

- Operation ratio: Operation ratio = actual load factor × operation time ratio during 30 minutes
- Harmonic content: Found in tab. 3-10.

Applicable motor [kW]	Fundamental wave current (A)		Fundamental wave current converted from 6.6 kV [mA]	Rated capacity [kVA]	Outgoing harmonic current converted from 6.6 kV [mA] (No reactor, 100% operation ratio)							
	200 V	400 V			5th	7th	11th	13th	17th	19th	23rd	25th
0.4	1.61	0.81	49	0.57	31.85	20.09	4.165	3.773	2.107	1.519	1.274	0.882
0.75	2.74	1.37	83	0.97	53.95	34.03	7.055	6.391	3.569	2.573	2.158	1.494
1.5	5.50	2.75	167	1.95	108.6	68.47	14.20	12.86	7.181	5.177	4.342	3.006
2.2	7.93	3.96	240	2.81	156.0	98.40	20.40	18.48	10.32	7.440	6.240	4.320
3.7	13.0	6.50	394	4.61	257.1	161.5	33.49	30.34	16.94	12.21	10.24	7.092
5.5	19.1	9.55	579	6.77	376.1	237.4	49.22	44.58	24.90	17.95	15.05	10.42
7.5	25.6	12.8	776	9.07	504.4	318.2	65.96	59.75	33.37	24.06	20.18	13.97
11	36.9	18.5	1121	13.1	728.7	459.6	95.29	86.32	48.20	34.75	29.15	20.18
15	49.8	24.9	1509	17.6	980.9	618.7	128.3	116.2	64.89	46.78	39.24	27.16
18.5	61.4	30.7	1860	21.8	1209	762.6	158.1	143.2	79.98	57.66	48.36	33.48
22	73.1	36.6	2220	25.9	1443	910.2	188.7	170.9	95.46	68.82	57.72	39.96
30	98.0	49.0	2970	34.7	1931	1218	252.5	228.7	127.7	92.07	77.22	53.46
37	121	60.4	3660	42.8	2379	1501	311.1	281.8	157.4	113.5	95.16	65.88
45	147	73.5	4450	52.1	2893	1825	378.3	342.7	191.4	138.0	115.7	80.10
55	180	89.9	5450	63.7	3543	2235	463.3	419.7	234.4	169.0	141.7	98.10

Tab. 3-11: Rated capacities and outgoing harmonic currents (no reactor) of inverter-driven motors

Applicable motor [kW]	Fundamental wave current (A)		Fundamental wave current converted from 6.6 kV [mA]	Rated capacity [kVA]	Outgoing harmonic current converted from 6.6 kV [mA] (With a DC reactor, 100% operation ratio)							
	200 V	400 V			5th	7th	11th	13th	17th	19th	23rd	25th
75	245	123	7455	87.2	2237	969	626	373	350	239	224	164
90	293	147	8909	104	2673	1158	748	445	419	285	267	196
110	357	179	10848	127	3254	1410	911	542	510	347	325	239
132	—	216	13091	153	3927	1702	1100	655	615	419	393	288
160	—	258	15636	183	4691	2033	1313	782	735	500	469	344
220	—	355	21515	252	6455	2797	1807	1076	1011	688	645	473
250	—	403	24424	286	7327	3175	2052	1221	1148	782	733	537
280	—	450	27273	319	8182	3545	2291	1364	1282	873	818	600
315	—	506	30667	359	9200	3987	2576	1533	1441	981	920	675
355	—	571	34606	405	10382	4499	2907	1730	1627	1107	1038	761
400	—	643	38970s	456	11691	5066	3274	1949	1832	1247	1169	857
450	—	723	43818	512	13146	5696	3681	2191	2060	1402	1315	964
500	—	804	48727	570	14618	6335	4093	2436	2290	1559	1462	1072
560	—	900	54545	638	16364	7091	4582	2727	2564	1746	1636	1200
630	—	1013	61394	718	18418	7981	5157	3070	2886	1965	1842	1351

Tab. 3-12: Rated capacities and outgoing harmonic currents (with DC reactor) of inverter-driven motors

- Determining if a countermeasure is required

A countermeasure for harmonics is required if the following condition is satisfied:

Outgoing harmonic current > maximum value per 1 kW contract power × contract power

- Harmonic suppression techniques

No.	Item	Description
①	Reactor installation (FR-HAL, FR-HEL)	Install an AC reactor (FR-HAL) on the AC side of the inverter or a DC reactor (FR-HEL) on its DC side, or install both to suppress outgoing harmonic currents.
②	High power factor converter (FR-HC2)	This converter trims the current waveform to be a sine waveform by switching the rectifier circuit (converter module) with transistors. Doing so suppresses the generated harmonic amount significantly. Connect it to the DC area of an inverter. Use the high power factor converter (FR-HC2) with the accessories that come as standard.
③	Installation of power factor improving capacitor	When used with a reactor connected in series, the power factor improving correction capacitor can absorb harmonic currents.
④	Transformer multi-phase operation	Use two transformers with a phase angle difference of 30° as in λ - Δ and Δ - Δ combinations to provide an effect corresponding to 12 pulses, reducing low-degree harmonic currents.
⑤	Passive filter (AC filter)	A capacitor and a reactor are used together to reduce impedances at specific frequencies. Harmonic currents are expected to be absorbed greatly by using this technique.
⑥	Active filter	This filter detects the current in a circuit generating a harmonic current and generates a harmonic current equivalent to a difference between that current and a fundamental wave current to suppress the harmonic current at the detection point. Harmonic currents are expected to be absorbed greatly by using this technique.

Tab. 3-13: *Suppression of harmonics*

3.3 Installation of a reactor

When the inverter is connected near a large-capacity power transformer (≥ 1000 kVA) or when a power factor correction capacitor is to be switched over, an excessive peak current may flow in the power input circuit, damaging the converter circuit. To prevent this, always install an optional AC reactor (FR-HAL).

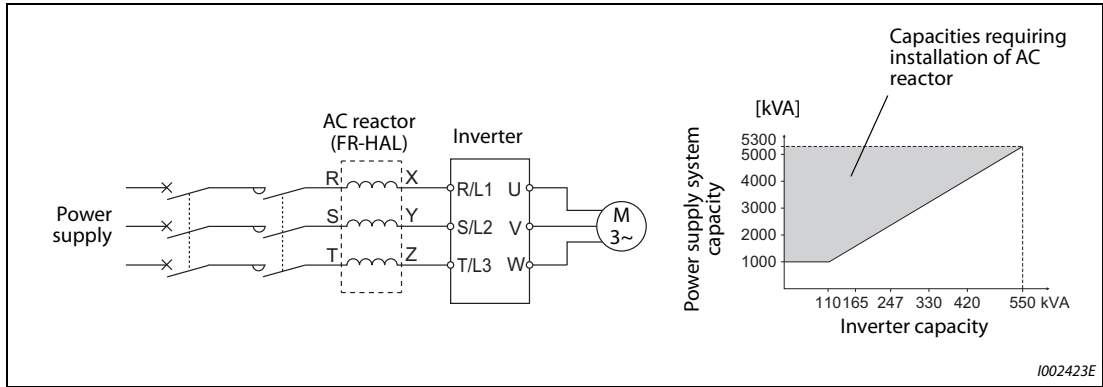


Fig. 3-11: Installation of a reactor

3.4 Power-OFF and magnetic contactor (MC)

Inverter input side magnetic contactor (MC)

On the inverter input side, it is recommended to provide an MC for the following purposes:
(Refer to page 2-4 for selection.)

- To disconnect the inverter from the power supply at activation of a protective function or at malfunctioning of the driving system (emergency stop, etc.).
- To prevent any accident due to an automatic restart at power restoration after an inverter stop made by a power failure.
- To separate the inverter from the power supply to ensure safe maintenance and inspection work.

If using an MC for emergency stop during operation, select an MC regarding the inverter input side current as JEM1038-AC-3 class rated current.

NOTE

Since repeated inrush currents at power ON will shorten the life of the converter circuit (switching life is about 1,000,000 times), frequent starts and stops of the magnetic contactor must be avoided. Turn ON/OFF the inverter start controlling terminals (STF, STR) to run/stop the inverter.

Example ▽

Inverter start/stop circuit example

As shown below, always use the start signal (ON or OFF of STF(STR) signal) to make a start or stop.

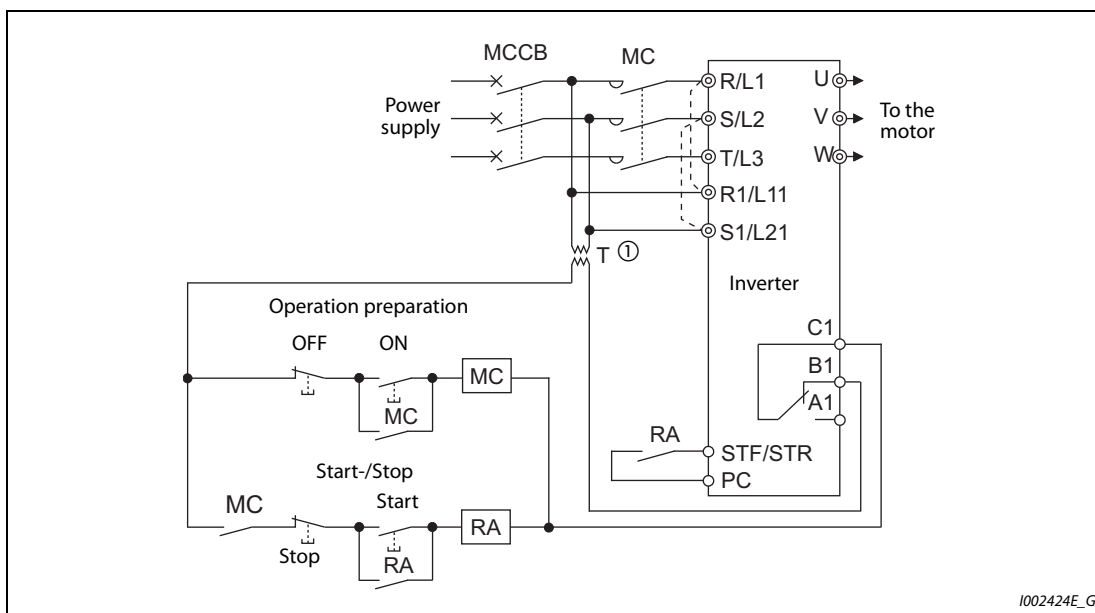


Fig. 3-12: Start and stop of the inverter

- ① When the power supply is 400 V class, install a stepdown transformer.
- ② Connect the power supply terminals R1/L11, S1/L21 of the control circuit to the input side of the MC to hold an alarm signal when the inverter's protective circuit is activated. At this time, remove jumpers across terminals R/L1 and R1/L11 and S/L2 and S1/L21. (Refer to page 2-58 for removal of the jumper.)



Handling of the magnetic contactor on the inverter's output side

Switch the magnetic contactor between the inverter and motor only when both the inverter and motor are at a stop. When the magnetic contactor is turned ON while the inverter is operating, overcurrent protection of the inverter and such will activate. When an MC is provided to switch to a commercial power supply, for example, it is recommended to use the electronic bypass function Pr. 135 to Pr. 139 (refer to page 5-333). (The commercial power supply operation is not available with PM motors.)

Handling of the manual contactor on the inverter's output side

A PM motor is a synchronous motor with high-performance magnets embedded inside. High-voltage is generated at the motor terminals while the motor is running even after the inverter power is turned OFF. In an application where the PM motor is driven by the load even after the inverter is powered OFF, a low-voltage manual contactor must be connected at the inverter's output side.

NOTES

Before wiring or inspection for a PM motor, confirm that the PM motor is stopped. In an application, such as fan and blower, where the motor is driven by the load, a low-voltage manual contactor must be connected at the inverter's output side, and wiring and inspection must be performed while the contactor is open. Otherwise you may get an electric shock.

Do not open or close the contactor while the inverter is running (outputting).

3.5 Countermeasures against deterioration of the 400 V class motor insulation

In the PWM type inverter, a surge voltage attributable to wiring constants is generated at the motor terminals. Especially in a 400 V class motor, the surge voltage may deteriorate the insulation. When the 400 V class motor is driven by the inverter, consider the following countermeasures:

Countermeasures (With induction motor)

It is recommended to take one of the following countermeasures:

- Rectifying the motor insulation and limiting the PWM carrier frequency according to the wiring length
 For the 400 V class motor, use an **insulation-enhanced motor**. Specifically:
 - Order a "400 V class inverter-driven insulation-enhanced motor".
 - For the dedicated motor such as the constant-torque motor and low-vibration motor, use an "inverter-driven dedicated motor".
 - Set Pr. 72 "PWM frequency selection" as indicated below according to the wiring length.

	Wiring length		
	50 m or shorter	50 m to 100 m	Longer than 100 m
Pr. 72 "PWM frequency selection"	≤ 15 (14.5 kHz)	≤ 9 (9 kHz)	≤ 4 (4 kHz)

Tab. 3-14: Setting of Pr. 72 according to the wiring length

- Suppressing the surge voltage on the inverter side
 - For the FR-F840-01160(55K) or lower, connect the surge voltage suppression filter (FR-ASF-H/FR-BMF-H) to the output side.
 - For the FR-F840-01800(75K) or higher, connect the sine wave filter (MT-BSL/BSC) to the output side.

Countermeasures (With PM motor)

When the wiring length exceeds 50 m, set "9" (6 kHz) or less in Pr. 72 "PWM frequency selection".

NOTES

For the details of Pr. 72 "PWM frequency selection", refer to page 5-88. (When using an optional sine wave filter (MT-BSL/BSC), set "25" (2.5 kHz) in Pr. 72.)

For the details of the surge voltage suppression filter (FR-ASF-H/FR-BMF-H) and the sine wave filter (MT-BSL/BSC), refer to the Instruction Manual of each option.

A surge voltage suppression filter (FR-ASF-H/FR-BMF-H) can be used under V/F control and Advanced magnetic flux vector control.

A sine wave filter (MT-BSL/BSC) can be used under V/F control. Do not use the filters under different control modes.

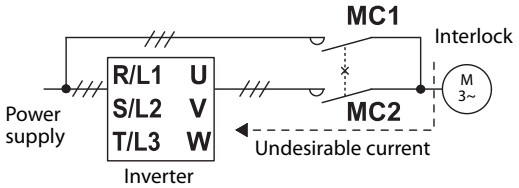
3.6 Checklist before starting operation

The FR-F800 series inverter is a highly reliable product, but incorrect peripheral circuit making or operation/handling method may shorten the product life or damage the product.

Before starting operation, always recheck the following points.

Checkpoint	Countermeasure	Refer to page	Check by user
Crimping terminals are insulated.	Use crimping terminals with insulation sleeves to wire the power supply and the motor.	—	
The wiring between the power supply (R/L1, S/L2, T/L3) and the motor (U, V, W) is correct.	Application of power to the output terminals (U, V, W) of the inverter will damage the inverter. Never perform such wiring.	2-33	
No wire offcuts are left from the time of wiring.	Wire offcuts can cause an alarm, failure or malfunction. Always keep the inverter clean. When drilling mounting holes in an enclosure etc., take caution not to allow chips and other foreign matter to enter the inverter.	—	
The main circuit cable gauge is correctly selected.	Use an appropriate cable gauge to suppress a voltage drop to 2% or less. If the wiring distance is long between the inverter and motor, a voltage drop in the main circuit will cause the motor torque to decrease especially during the output of a low frequency.	2-37	
The total wiring length is within the specified length.	Keep the total wiring length within the specified length. In long distance wiring, charging currents due to stray capacitance in the wiring may degrade the fast-response current limit operation or cause the equipment on the inverter's output side to malfunction. Pay attention to the total wiring length.	2-37	
Countermeasures are taken against EMI.	The input/output (main circuit) of the inverter includes high frequency components, which may interfere with the communication devices (such as AM radios) used near the inverter. In such case, activate the EMC filter (turn ON the EMC filter ON/OFF connector) to minimize interference.	3-9	
On the inverter's output side, none of the power factor correction capacitor, surge suppressor, or radio noise filter is installed.	Such installation will cause the inverter to trip or the capacitor and surge suppressor to be damaged. If any of the above devices is connected, immediately remove it.	—	
When performing an inspection or rewiring on the product that has been energized once, the operator has waited long enough after shutting off the power supply.	For a short time after the power-OFF, a high voltage remains in the smoothing capacitor, and it is dangerous. Before performing an inspection or rewiring, wait 10 minutes or longer after the power supply turns OFF, then confirm that the voltage across the main circuit terminals P/+ and N/- of the inverter is low enough using a tester, etc.	—	
The inverter's output side has no short circuit or ground fault occurring.	<ul style="list-style-type: none"> • A short circuit or ground fault on the inverter's output side may damage the inverter module. • Fully check the insulation resistance of the circuit prior to inverter operation since repeated short circuits caused by peripheral circuit inadequacy or a ground fault caused by wiring inadequacy or reduced motor insulation resistance may damage the inverter module. • Fully check the to-earth (ground) insulation and phase-to-phase insulation of the inverter's output side before power-ON. Especially for an old motor or use in hostile atmosphere, make sure to check the motor insulation resistance, etc. 	—	

Tab. 3-15: Checklist before starting operation (1)

Checkpoint	Countermeasure	Refer to page	Check by user
The circuit is not configured to use the inverter's input-side magnetic contactor to start/stop the inverter frequently.	Since repeated inrush currents at power ON will shorten the life of the converter circuit, frequent starts and stops of the magnetic contactor must be avoided. Turn ON/OFF the inverter's start signals (STF, STR) to run/stop the inverter.	3-9	
The voltage applied to the inverter I/O signal circuits is within the specifications.	Application of a voltage higher than the permissible voltage to the inverter I/O signal circuits or opposite polarity may damage the I/O devices. Especially check the wiring to prevent the speed setting potentiometer from being connected incorrectly to short circuit the terminals 10E and 5.	2-46	
When using the electronic bypass operation, electrical and mechanical interlocks are provided between the electronic bypass contactors MC1 and MC2.	<p>When using a switching circuit as shown below, chattering due to mis-configured sequence or arc generated at switching may allow undesirable current to flow in and damage the inverter. Mis-wiring may also damage the inverter. (The commercial power supply operation is not available with PM motors.)</p>  <p>When switching to the commercial power supply operation while a failure such as an output short circuit has occurred between the magnetic contactor MC2 and the motor, the damage may further spread. If a failure has occurred between the MC2 and the motor, a protection circuit such as using the OH signal input must be provided</p>	5-333	
A countermeasure is provided for power restoration after a power failure.	If the machine must not be restarted when power is restored after a power failure, provide an MC in the inverter's input side and also make up a sequence which will not switch ON the start signal. If the start signal (start switch) remains ON after a power failure, the inverter will automatically restart as soon as the power is restored.	—	
A magnetic contactor (MC) is installed on the inverter's input side.	<p>On the inverter's input side, connect an MC for the following purposes:</p> <ul style="list-style-type: none"> • To disconnect the inverter from the power supply at activation of a protective function or at malfunctioning of the driving system (emergency stop, etc.). • To prevent any accident due to an automatic restart at power restoration after an inverter stop made by a power failure. • To separate the inverter from the power supply to ensure safe maintenance and inspection work. <p>If using an MC for emergency stop during operation, select an MC regarding the inverter input side current as JEM1038-AC-3 class rated current.</p>	3-17	
The magnetic contactor on the inverter's output side is properly handled.	Switch the magnetic contactor between the inverter and motor only when both the inverter and motor are at a stop.	3-17	

Tab. 3-15: Checklist before starting operation (2)

Checkpoint	Countermeasure	Refer to page	Check by user
When using a PM motor, a low-voltage manual contactor is installed on the inverter's output side.	When a failure occurs between the MC2 and motor, make sure to provide a protection circuit, such as using the OH signal input. In an application, such as fan and blower, where the motor is driven by the load, a low-voltage manual contactor must be connected at the inverter's output side, and wiring and inspection must be performed while the contactor is open. Otherwise you may get an electric shock.	3-17	
An EMI countermeasure is provided for the frequency setting signals.	If electromagnetic noise generated from the inverter causes frequency setting signal to fluctuate and the motor rotation speed to be unstable when changing the motor speed with analog signals, the following countermeasures are effective: <ul style="list-style-type: none"> • Do not run the signal cables and power cables (inverter I/O cables) in parallel with each other and do not bundle them. • Run signal cables as far away as possible from power cables (inverter I/O cables). • Use shielded cables. • Install a ferrite core on the signal cable (Example: ZCAT3035-1330 by TDK). 	3-6	
A countermeasure is provided for an overload operation.	When performing frequent starts/stops by the inverter, rise/fall in the temperature of the transistor element of the inverter will repeat due to a repeated flow of large current, shortening the life from thermal fatigue. Since thermal fatigue is related to the amount of current, the life can be increased by reducing current at locked condition, starting current, etc. Reducing current may extend the service life but may also cause torque shortage, which leads to a start failure. Adding a margin to the current can eliminate such a condition. For an induction motor, use an inverter of a higher capacity (up to two ranks). For a PM motor, use an inverter and PM motor of higher capacities.	—	
The specifications and rating match the system requirements.	Make sure that the specifications and rating match the system requirements.	8-1	

Tab. 3-15: Checklist before starting operation (3)

3.7 Failsafe system which uses the inverter

When a fault is detected by the protective function, the protective function activates and outputs a fault signal. However, a fault signal may not be output at an inverter's fault occurrence when the detection circuit or output circuit fails, etc. Although Mitsubishi assures the best quality products, provide an interlock which uses inverter status output signals to prevent accidents such as damage to the machine when the inverter fails for some reason.

Also at the same time consider the system configuration where a failsafe from outside the inverter, without using the inverter, is enabled even if the inverter fails.

Interlock method which uses the inverter status output signals

By combining the inverter output signals to provide an interlock as shown below, an inverter failure can be detected.

No.	Interlock method	Check method	Used signals	Refer to page
①	Inverter protective function operation	Operation check of an alarm contact. Circuit error detection by negative logic.	Fault output signal (ALM signal)	5-239
②	Inverter operating status	Operation ready signal check.	Operation ready signal (RY signal)	5-238
③	Inverter running status	Logic check of the start signal and running signal.	Start signal (STF signal, STR signal) Running signal (RUN signal)	5-238, 5-293
④	Inverter running status	Logic check of the start signal and output current.	Start signal (STF signal, STR signal) Output current detection signal (Y12 signal)	5-244, 5-293

Tab. 3-16: Different output signals of the frequency inverter can be used for interlocks

① Checking by the output of the inverter fault signal

When the inverter's protective function activates and the inverter trips, the fault output signal (ALM signal) is output. (ALM signal is assigned to terminal A1B1C1 in the initial setting).

With this signal, check that the inverter operates properly.

In addition, negative logic can be set. (ON when the inverter is normal, OFF when the fault occurs.)

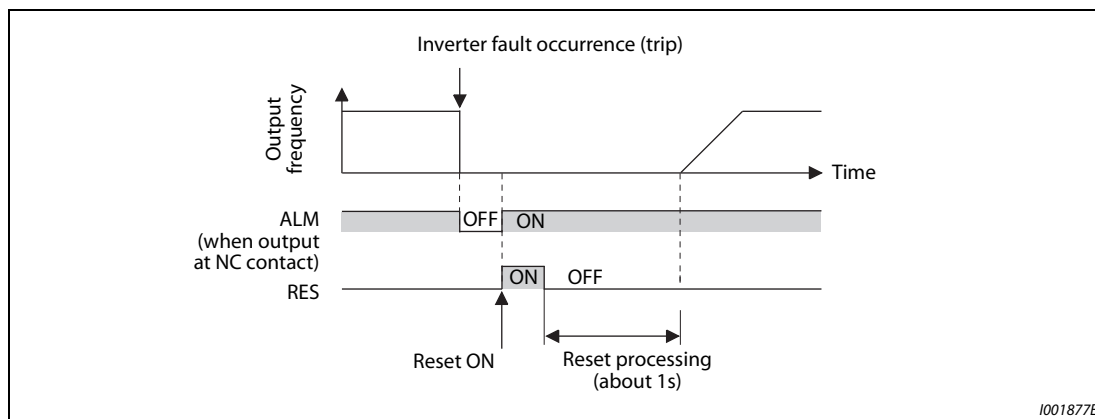


Fig. 3-13: Contact B1-C1 opens when a fault occurs (initial setting)

② Checking the inverter operating status by the inverter operation ready completion signal

Operation ready signal (RY signal) is output when the inverter power is ON and the inverter becomes operative. Check if the RY signal is output after powering ON the inverter.

③ Checking the inverter operating status by the start signal input to the inverter and inverter running signal

The inverter running signal (RUN signal) is output when the inverter is running. (RUN signal is assigned to terminal RUN in the initial setting.)

Check if RUN signal is being output while inputting a start signal to the inverter. (STF signal is a forward rotation signal, and STR is a reverse rotation signal.) Even after the start signal is turned OFF, the RUN signal is kept output until the inverter makes the motor to decelerate and to stop. For the logic check, configure a sequence considering the inverter's deceleration time.

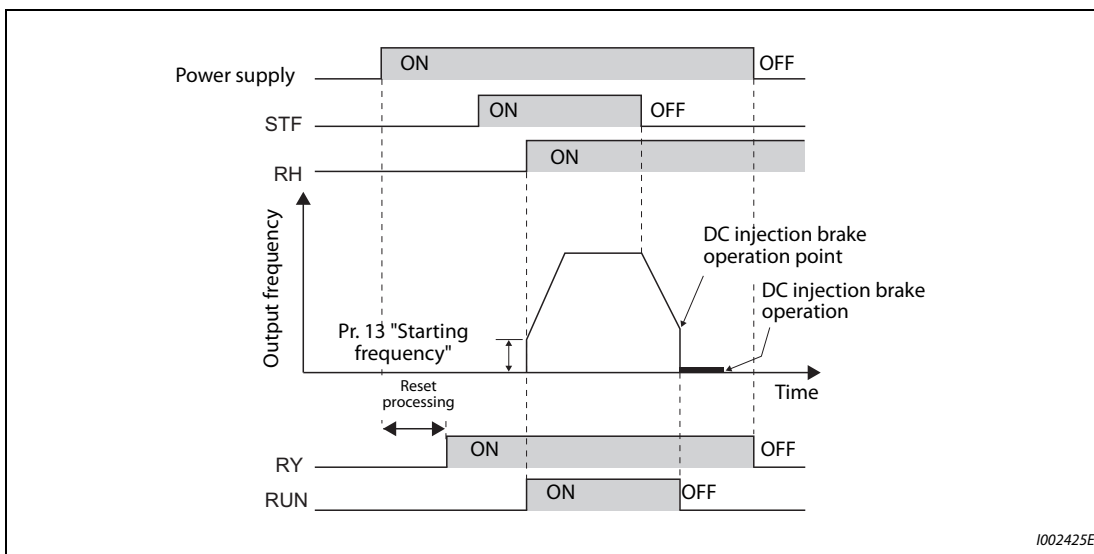


Fig. 3-14: Ready status and motor running

④ Checking the motor operating status by the start signal input to the inverter and inverter output current detection signal

The output current detection signal (Y12 signal) is output when the inverter operates and currents flow in the motor.

Check if Y12 signal is being output while inputting a start signal to the inverter. (STF signal is a forward rotation signal, and STR is a reverse rotation signal.) The Y12 signal is initially set to be output at 120% (FM type) / 110% (CA type) inverter rated current. Adjust the level to around 20% using no load current of the motor as reference with Pr. 150 "Output current detection level".

Like the inverter running signal (RUN signal), even after the start signal is turned OFF, the Y12 signal is kept output until the inverter stops the output to a decelerating motor. For the logic check, configure a sequence considering the inverter's deceleration time.

- When using various signals, assign the functions to Pr. 190 to Pr. 196 (output terminal function selection) referring to the table below.

Output signal	Pr. 190 to Pr. 196 setting	
	Positive logic	Negative logic
ALM	99	199
RY	11	111
RUN	0	100
Y12	12	112

Tab. 3-17: Setting in positive and negative logic

NOTE

Changing the terminal assignment using Pr. 190 to Pr. 196 (output terminal function selection) may affect the other functions. Set parameters after confirming the function of each terminal.

Backup method outside the inverter

Even if the interlock is provided by the inverter status signal, enough failsafe is not ensured depending on the failure status of the inverter itself. For example, if an inverter CPU fails in a system interlocked with the inverter's fault, start, and RUN signals, no fault signal will be output and the RUN signal will be kept ON because the inverter CPU is down.

Provide a speed detector to detect the motor speed and current detector to detect the motor current and consider the backup system such as performing a check as below according to the level of importance of the system.

- Start signal and actual operation check

Check the motor running and motor current while the start signal is input to the inverter by comparing the start signal to the inverter and detected speed of the speed detector or detected current of the current detector.

Note that the current is flowing through the motor while the motor coasts to stop, even after the inverter's start signal is turned OFF. For the logic check, configure a sequence considering the inverter's deceleration time. In addition, it is recommended to check the three-phase current when using the current detector.

- Command speed and actual operation check

Check for a gap between the actual speed and commanded speed by comparing the inverter's speed command and the speed detected by the speed detector.

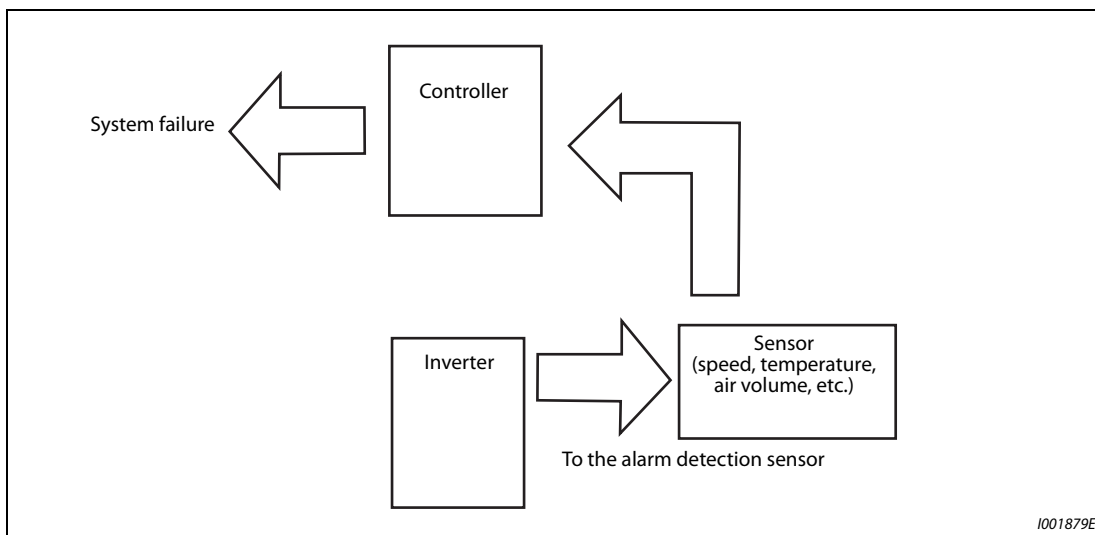


Fig. 3-15: Backup method outside the inverter

1001879E

4 Basic operation

4.1 Operation panel (FR-DU08)

4.1.1 Components of the operation panel (FR-DU08)

To mount the operation panel (FR-DU08) on the enclosure surface, refer to page 2-67.

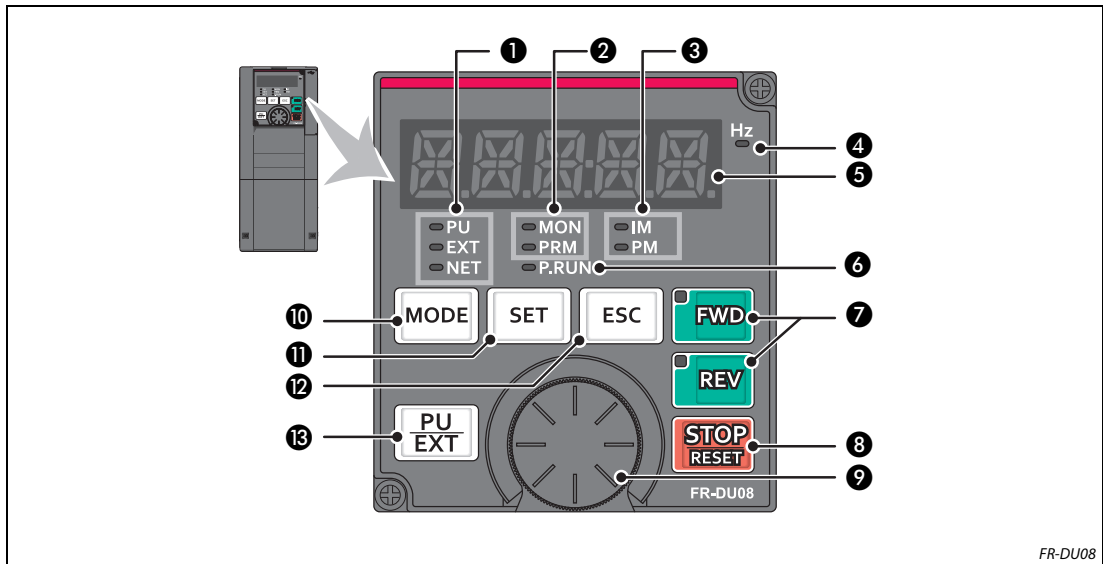








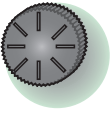


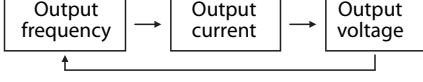




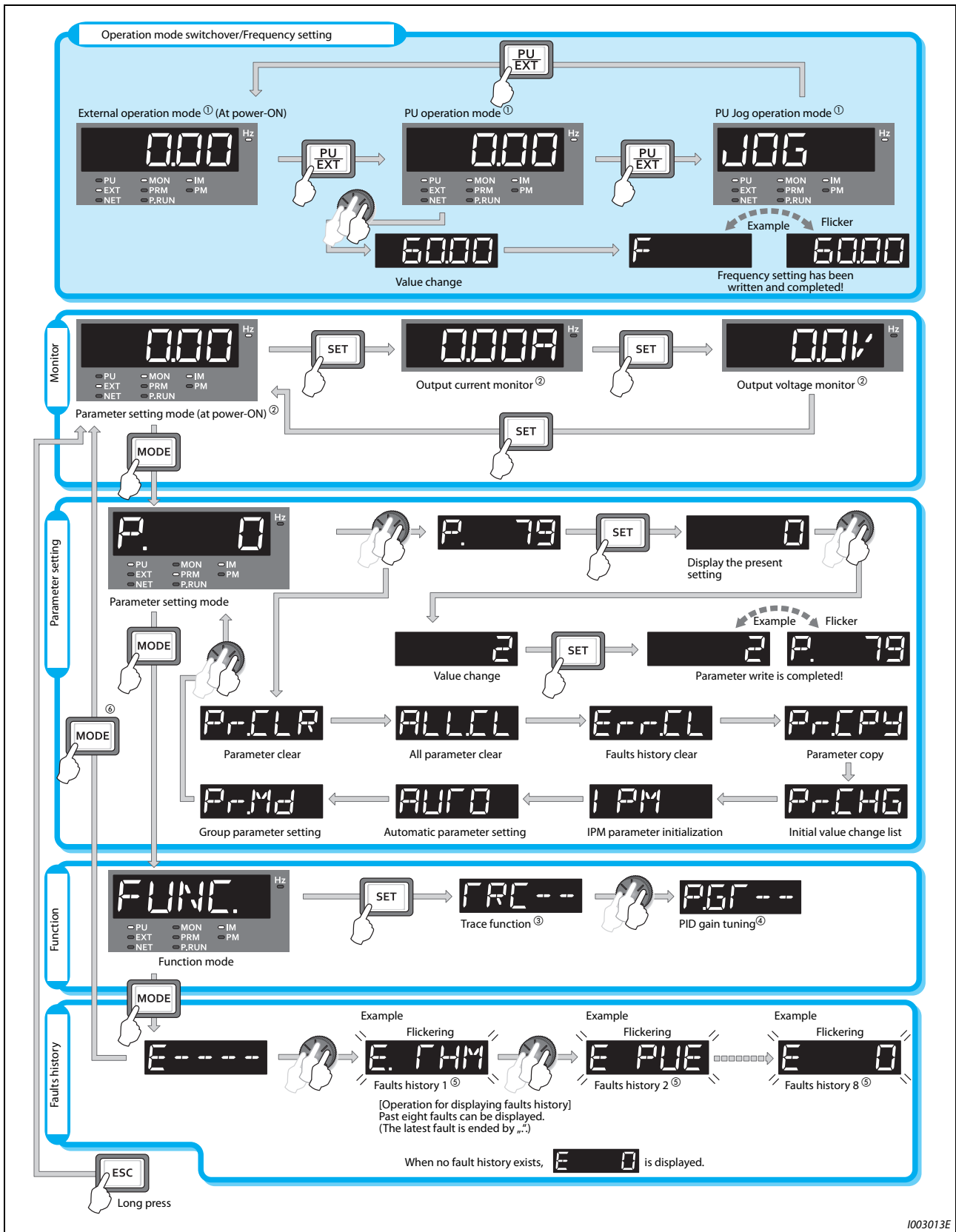
Fig. 4-1: Operation panel FR-DU08

No.	Component	Name	Description
①		Operation mode indicator	<p>PU: Lit to indicate the PU operation mode.</p> <p>EXT: Lit to indicate the External operation mode. (Lit at power-ON in the initial setting.)</p> <p>NET: Lit to indicate the Network operation mode.</p> <p>PU and EXT: Lit to indicate the External/PU combined operation mode 1 or 2.</p>
②		Operation panel status indicator	<p>MON: Lit to indicate the monitoring mode. Quickly flickers twice intermittently while the protective function is activated. Slowly flickers in the display-off mode.</p> <p>PRM: Lit to indicate the parameter setting mode.</p>
③		Control motor indicator	<p>IM: Lit to indicate the induction motor control.</p> <p>PM: Lit to indicate the PM motor control. The indicator flickers when test operation is selected.</p>
④		Frequency unit indicator	Lit to indicate frequency. (Flickers when the set frequency is displayed in the monitor.)
⑤		Monitor (5-digit LED)	Shows the frequency, parameter number, etc. (Using Pr. 52, Pr. 774 to Pr. 776, the monitored item can be changed.)
⑥		PLC function indicator	Lit to indicate that the sequence program can be executed.
⑦		FWD key, REV key	<p>FWD key: Starts forward rotation. The LED is lit during forward operation.</p> <p>REV key: Starts reverse rotation. The LED is lit during reverse operation. The LED flickers under the following conditions:</p> <ul style="list-style-type: none"> • When the frequency command is not given even if the forward/reverse command is given. • When the frequency command is the starting frequency or lower. • When the MRS signal is being input.
⑧		STOP/RESET key	<p>Stops the operation commands.</p> <p>Resets the inverter when the protection function is activated.</p>
⑨		Setting dial	<p>The setting dial of the Mitsubishi inverters. The setting dial is used to change the frequency and parameter settings.</p> <p>Press the setting dial to perform the following operations:</p> <ul style="list-style-type: none"> • To display a set frequency in the monitoring mode (the setting can be changed using Pr. 992) • To display the present setting during calibration • To display a fault history number in the faults history mode
⑩		MODE key	<p>Switches to different modes.</p> <p>Switches to the easy setting mode by pressing simultaneously with PU/EXT key.</p> <p>Holding this key for 2 seconds locks the operation. The key lock is invalid when Pr. 161 = "0 (initial setting)". (Refer to page 5-69)</p>
⑪		SET key	<p>Enters each setting.</p> <p>If pressed during operation, the monitored item changes.</p> <p>When the initial setting is set:</p> <div style="text-align: center;">  <pre> graph LR A[Output frequency] --> B[Output current] B --> C[Output voltage] C --> A </pre> </div> <p>(Using Pr. 52 and Pr. 774 to Pr. 776, the monitored item can be changed.)</p>
⑫		ESC key	<p>Goes back to the previous display.</p> <p>Holding this key for a longer time changes the mode back to the monitor mode.</p>
⑬		PU/EXT key	<p>Switches between the PU operation mode, the PU JOG operation mode and the External operation mode.</p> <p>Switches to the easy setting mode by pressing simultaneously with MODE key.</p> <p>Cancels the PU stop also.</p>

Tab. 4-1: Components of the operation panel (FR-DU08)

4.1.2 Basic operation of the operation panel

Basic operation



1003013E

Fig. 4-2: Overview of the basic functions of the operation panel

- ① For the details of operation modes, refer to page 5-119.
- ② Monitored items can be changed, refer to page 5-198.
- ③ For the details of the trace function, refer to page 5-443.
- ④ For the details of the PID gain tuning, refer to page 5-373.
- ⑤ For the details of faults history, refer to page 6-9.
- ⑥ The USB memory mode will appear if a USB memory device is connected. (Refer to page 2-68.)

Parameter setting mode

In the parameter setting mode, inverter functions (parameters) are set.

The following table explains the indications in the parameter setting mode.

Operation panel indication	Function name	Description	Refer to page
P.	Parameter setting mode	Under this mode, the set value of the displayed parameter number is read or changed.	4-6
PrCLR	Parameter clear	Clears and resets parameter settings to the initial values. Calibration parameters and offline auto tuning parameters are not cleared. The communication parameters are not cleared. For the details of the uncleared parameters, refer to page A-5.	5-568
ALLCL	Parameter all clear	Clears and resets parameter settings to the initial values. Calibration parameters and the offline auto tuning parameters are also cleared. The communication parameters are not cleared. For the details of the uncleared parameters, refer to page A-5.	5-568
ErrCL	Faults history clear	Deletes the faults history.	6-3
PrCPY	Parameter copy	Copies the parameter settings saved in the inverter to the operation panel. The parameters copied to the operation panel can be also copied to other inverters.	5-570
PrCHG	Initial value change list	Identifies the parameters that have been changed from their initial settings.	5-577
IPM	IPM initialization	Changes the parameters to the settings required to drive an IPM motor (MM-EFS/MM-THE4) as a batch. Also changes the parameters back to the settings required to drive an induction motor.	5-48
AUTO	Automatic parameter setting	Changes parameter settings as a batch. The target parameters include communication parameters for the Mitsubishi's human machine interface (GOT) connection and the parameters for the rated frequency settings of 50 Hz/60 Hz.	5-80
PrMd	Group parameter setting	Displays parameter numbers by function groups.	5-26

Tab. 4-2: Indications in the parameter setting mode

4.1.3 Correspondences between digital and actual characters

There are the following correspondences between the actual alphanumeric characters and the digital characters displayed on the operation panel:











0	1	2	3	4	5	6	7	8	9	A	B(b)	C	c	D(d)
0	1	2	3	4	5	6	7	8	9	A	b	C	c	d
E(e)	F(f)	G(g)	H(h)	I(i)	J(j)	K(k)	L(l)	M(m)	N	n	O	o	P(p)	Q(q)
E	F	G	H	I	J	K	L	M	N	n	O	o	P	Q
R	r	S(s)	T(t)	U	u	V	v	W	w	X(x)	Y(y)	Z(z)		
R	r	S	T	U	u	V	v	W	w	X	Y	Z		

1002430E

Fig. 4-3: Correspondences between digital and actual characters (operation panel)

4.1.4 Changing the parameter setting value

Example ▾ Changing example: Change the Pr. 1 "Maximum frequency".

Operation	
①	Screen at power-ON The monitor display appears.
②	Changing the operation mode Press  to choose the PU operation mode. [PU] indicator is lit.
③	Parameter setting mode Press  to choose the parameter setting mode. (The parameter number read previously appears.)
④	Selecting the parameter number Turn  until "P. 1" (Pr. 1) appears. Press  to read the present set value. "12000" (initial value) appears.
⑤	Changing the setting value Turn  to change the set value to "6000". Press  to enter the setting. "6000" and "P. 1" flicker alternately. <ul style="list-style-type: none"> • Turn  to read another parameter. • Press  to show the setting again. • Press  twice to show the next parameter. • Press  three times to return to the monitor display of the frequency.

Tab. 4-3: Setting the maximum output frequency



NOTES

If a parameter write condition is not satisfied, a parameter write error appears. (Refer to page 6-9.)

Error indication	Error description
Er-1	Write disable error
Er-2	Write error during operation
Er-3	Calibration error
Er-4	Mode designation error

When Pr. 77 "Parameter write selection" = "0 (initial setting)", the parameter setting change is only available while the inverter is stopped under the PU operation mode.

To enable the parameter setting change while the inverter is running or under the operation mode other than PU operation mode, change the Pr. 77 setting. (Refer to page 5-72.)

4.2 Monitoring the inverter status

4.2.1 Monitoring of output current and output voltage

NOTE

Pressing the SET key in the monitor mode switches the monitored item to output frequency, output current, and then to output voltage.

Operation	
①	Press MODE during operation to monitor the output frequency. [Hz] indicator turns ON.
②	Press SET to monitor the output current. This operation is valid during running or stopping under any operation mode. [A] indicator turns ON.
③	Press SET to monitor the output voltage. [V] indicator turns ON.

Tab. 4-4: Monitoring of output current and output voltage

NOTE

Other monitored items, such as output voltage and set frequency, are also available. Use Pr. 52 "Operation panel main monitor selection", or Pr. 774 "Operation panel monitor selection 1" to Pr. 776 "Operation panel monitor selection 3" to change the setting. (Refer to page 5-198.)

4.2.2 First monitored item

The first monitored item to be displayed in the monitor mode is selectable. To set a monitored item as the first monitored item, display a monitored item, and press the SET key for a while.

Example ▾

Changing example:
Set the output current as the first monitored item.

Operation	
①	Select the monitor mode, and select the output current.
②	Press SET for a while (1 s). The output current is set as the first monitored item.
③	When the monitor mode is selected next time, the output current is monitored first.

Tab. 4-5: Setting the output current as the first monitored item



NOTE

Use Pr. 52 "Operation panel main monitor selection", or Pr. 774 "Operation panel monitor selection 1" to Pr. 776 "Operation panel monitor selection 3" to change the monitored item. (Refer to page 5-198.)

4.2.3 Displaying the set frequency

In the PU operation mode or in the External/PU combined operation mode 1 (Pr. 79 "Operation mode selection" = "3"), select the monitor mode, and then press the setting dial. The present set frequency is displayed.

NOTE

Use Pr. 992 "Operation panel setting dial push monitor selection" to change the displayed indication. (Refer to page 5-198.)

4.3 Easy operation mode setting (easy setting mode)

A required combination of a start command and a frequency command can be easily selected using Pr. 79 "Operation mode selection".

Example ▽

Changing example:
Operate with the external (STF/STR) start command and setting dial frequency command.

Operation	
① Press and for 0.5 s.	
② Turn until 79--3 (External/PU combined operation mode 1) appears. (For other settings, refer to the table below.)	
③ Press to enter the setting. External/PU combined operation mode 1 (Pr. 79 = "3") is set.	

Tab. 4-6: One can immediately change parameter 79 by simultaneously pressing the PU/EXT and MODE keys



Operation panel indication	Operation method		Operation mode
	Start command	Frequency command	
			PU operation mode
	External (STF, STR)	Analog voltage input	External operation mode
	External (STF, STR)		External/PU combined operation mode 1
		Analog voltage input	External/PU combined operation mode 2

Tab. 4-7: Operation modes and operation panel indication

① To use the setting dial as a potentiometer, refer to page 5-69.

NOTES

$\text{Er } 1$ is displayed... Why?

Pr. 79 may not be included in the user group set by Pr. 160 "User group read selection" = "1".

$\text{Er } 2$ is displayed... Why?

Setting cannot be changed during operation. Turn the start command (FWD or REV key, STF or STR) OFF.

If the MODE key is pressed before pressing the SET key, the easy setting mode is terminated and the display goes back to the monitor display. If the easy setting mode is terminated while Pr. 79 = "0 (initial value)", the operation mode switches between the PU operation mode and the External operation mode. Check the operation mode.

Reset by STOP/RESET key is enabled.

The priorities of the frequency commands when Pr. 79 = "3" are "Multi-speed operation (RL/RM/RH/REX) > PID control (X14) > terminal 4 analog input (AU) > digital input from the operation panel".

4.4 Frequently-used parameters (simple mode parameters)

Parameters that are frequently used for the FR-F800 series are grouped as simple mode parameters. When Pr. 160 "User group read selection" = "9999", only the simple mode parameters are displayed. This section explains about frequently-used parameters.

4.4.1 Simple mode parameter list

For simple variable-speed operation of the inverter, the initial values of the parameters may be used as they are. Set the necessary parameters to meet the load and operational specifications. Parameter setting, change and check can be performed from the operation panel (FR-DU08).

NOTE

Pr. 160 "User group read selection" can narrow down the displayed parameters to only the simple mode parameters. Set Pr. 160 "User group read selection" as required. (For the parameter change, refer to page 4-6.)

Pr. 160 setting	Description
9999 (FM type initial value)	Displays only the simple mode parameters.
0 (CA type initial value)	Displays simple mode + extended parameters.
1	Displays parameters registered in the user group.

Tab. 4-8: Setting of parameter 160

Pr.	Pr. group	Name	Unit	Initial value ①		Range	Application	Refer to page
				FM	CA			
0	G000	Torque boost	0.1%	6% ①		0–30%	Set this parameter to obtain a higher starting torque under V/F control. Also set this when a loaded motor cannot be driven and the warning [OL] occurs, then the inverter trips with [OC1].	5-535
				4% ②				
				3% ③				
				2% ④				
				1.5% ⑤				
1	H400	Maximum frequency	0.01 Hz	120 Hz ⑦		0–120 Hz	Sets the upper limit for the output frequency.	5-176
				60 Hz ⑧				
2	H401	Minimum frequency	0.01 Hz	0Hz		0–120 Hz	Sets the lower limit for the output frequency.	
3	G001	Base frequency	0.01 Hz	60 Hz	50 Hz	0–590 Hz	Set this parameter when the rated motor frequency is 50 Hz. Check the rating plate of the motor.	5-537
4	D301	Multi-speed setting (high speed)	0.01 Hz	60 Hz	50 Hz	0–590 Hz	Pre-sets the speeds that will be switched among by terminals.	4-16, 4-24, 5-60
5	D302	Multi-speed setting (middle speed)	0.01 Hz	30 Hz		0–590 Hz		
6	D303	Multi-speed setting (low speed)	0.01 Hz	10 Hz		0–590 Hz		

Tab. 4-9: Simple mode parameters (1)

Pr.	Pr. group	Name	Unit	Initial value ^①		Range	Application	Refer to page
				FM	CA			
7	F010	Acceleration time	0.1 s	5 s ^③		0–3600 s	Sets the acceleration time.	5-102
				15 s ^⑩				
8	F011	Deceleration time	0.1 s	10 s ^③		0–3600 s	Sets the deceleration time.	
				30 s ^⑩				
9	H000 C103	Electronic thermal O/L relay	0.01 A ^⑦	Rated inverter current	0–500 A ^⑦	0–500 A ^⑦ 0–3600 A ^⑧	Protects the motor from heat. Set the rated motor current.	5-150
			0.1 A ^⑧					
79	D000	Operation mode selection	1	0		0–4, 6, 7	Select the start and frequency command sources.	5-119
125	T022	Terminal 2 frequency setting gain frequency	0.01 Hz	60 Hz	50 Hz	0–590 Hz	Allows the frequency at the maximum potentiometer setting (5 V in the initial setting) to be changed.	4-27, 5-266
126	T042	Terminal 4 frequency setting gain frequency	0.01 Hz	60 Hz	50 Hz	0–590 Hz	Allows the frequency at the maximum current input (20 mA in the initial setting) to be changed.	4-29, 5-266
160	E440	User group read selection	1	9999	0	0, 1, 9999	Restricts the parameters that are read by the operation panel and the parameter unit.	5-85
998	E430	PM parameter initialization	1	0		0, 12, 14, 112, 114, 8009, 8109, 9009, 9109	Selects the PM motor control and set the parameters that are required to drive a PM motor.	5-48
999	E431	Automatic parameter setting	1	9999		1, 2, 10, 11, 12, 13, 20, 21, 30, 31, 9999	Changes parameter settings as a batch. The target parameters include communication parameters for the Mitsubishi's human machine interface (GOT) connection and the parameters for the rated frequency settings of 50 Hz/60 Hz.	5-80

Tab. 4-9: Simple mode parameters (2)

- ① Initial value for the FR-F820-00046(0.75K) or lower and FR-F840-00023(0.75K) or lower.
- ② Initial value for the FR-F820-00077(1.5K) to FR-F820-00167(3.7K) and the FR-F840-00038(1.5K) to FR-F840-00083(3.7K).
- ③ Initial value for the FR-F820-00250(5.5K), FR-F820-00340(7.5K), FR-F820-00126(5.5K), and FR-F840-00170(7.5K).
- ④ Initial value for the FR-F820-00490(11K) to FR-F820-01540(55K), FR-F820-00250(11K) to FR-F840-00770(37K).
- ⑤ Initial value for the FR-F820-01870(45K), FR-F820-02330(55K), FR-F840-00930(45K), and FR-F840-01160(55K).
- ⑥ Initial value for the FR-F820-03160(75K) or higher and FR-F840-01800(75K) or higher.
- ⑦ For the FR-F820-02330(55K) or lower and FR-F840-01160(55K) or lower.
- ⑧ For the FR-F820-03160(75K) or higher and FR-F840-01800(75K) or higher.
- ⑨ Initial value for the FR-F820-00340(7.5K) or lower and FR-F840-00170(7.5K) or lower.
- ⑩ Initial value for the FR-F820-00490(11K) or higher and FR-F840-00250(11K) or higher.
- ⑪ FM denotes the initial value for the FM type inverter that has the terminal FM, and CA denotes the initial value for the CA type inverter that has the terminal CA.

4.5 Basic operation procedure (PU operation)

NOTE

Where is the frequency command source?

- The frequency set in the frequency setting mode of the operation panel
=> Refer to section 4.5.1 (page 4-13).
- The setting dial used as the potentiometer => Refer to section 4.5.2 (page 4-15).
- The ON/OFF switches connected to terminals => Refer to section 4.5.3 (page 4-16).
- Voltage input signals => Refer to section 4.5.4 (page 4-18).
- Current input signals => Refer to section 4.5.5 (page 4-20).

4.5.1 Operating at the set frequency (example: operating at 30 Hz)

NOTE

Use the operation panel (FR-DU08) to give a start command and a frequency command.

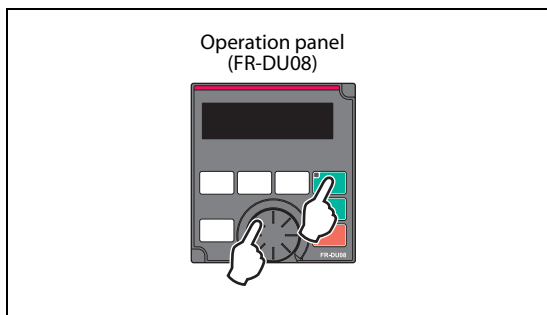










Fig. 4-4:
PU operation mode

I002443E

Example ▾

Operation example: Operate at 30 Hz.

Operation	
①	Screen at power-ON The monitor display appears.
②	Changing the operation mode Press  to choose the PU operation mode. [PU] indicator is lit.
③	Setting the frequency Turn  until the target frequency, "3000" (30.00 Hz), appears. The frequency flickers for about 5 s. While the value is flickering, press  to enter the frequency. "F" and "3000" flicker alternately. After about 3 s of flickering, the indication goes back to "000" (monitor display). (If  is not pressed, the indication of the value goes back to "000" (0.00 Hz) after about 5 s of flickering. In that case, turn  again and set the frequency.)
④	Start → acceleration → constant speed Press  or  to start running. The frequency value on the indication increases in Pr. 7 "Acceleration time", and "3000" (30.00 Hz) appears. (To change the set frequency, perform the operation in above step 3. The previously set frequency appears.)
⑤	Deceleration → stop Press  to stop. The frequency value on the indication decreases in Pr. 8 "Deceleration time", and the motor stops rotating with "000" (0.00 Hz) displayed.

Tab. 4-10: Frequency setting with the setting dial



NOTES

To display the set frequency under PU operation mode or External/PU combined operation mode 1 (Pr. 79 = "3"), press the setting dial. (Refer to page 5-198.)






The setting dial can also be used like a potentiometer to perform operation. (Refer to page 4-15.)

Parameters referred to		
Pr. 7	Acceleration time	=> page 5-102
Pr. 8	Deceleration time	=> page 5-102
Pr. 79	Operation mode selection	=> page 5-119

4.5.2 Using the setting dial like a potentiometer to perform operation

NOTE | Set Pr. 161 "Frequency setting/key lock operation selection" = "1" (setting dial potentiometer).

Example ▾ Operation example: Change the frequency from 0 Hz to 60 Hz during operation

Operation	
①	Screen at power-ON The monitor display appears.
②	Changing the operation mode Press  to choose the PU operation mode. [PU] indicator is lit.
③	Changing the parameter setting Change Pr. 161 setting to "1". (For setting value change, refer to page 4-6.)
④	Start Press  or  to start the inverter operation.
⑤	Setting the frequency Turn  until "60.00" appears. The set frequency flickers. (The frequency flickers for about 5 s.)  needs not to be pressed.

Tab. 4-11: Use the digital dial like a potentiometer to perform operation



- NOTES**
- If the display changes from flickering "60.00" to "0.00", Pr. 161 "Frequency setting/key lock operation selection" may be set to a value other than "1".
 - Simply turning the setting dial will enable frequency setting whether the inverter is running or at a stop.
 - The newly-set frequency will be saved as the set frequency in EEPROM after 10 s.
 - With the setting dial, the frequency can go up to the setting value of Pr. 1 "Maximum frequency". Check the Pr. 1 "Maximum frequency" setting, and adjust the setting according to the application.

Parameters referred to		
Pr. 1	Maximum frequency	=> page 5-176
Pr. 161	Frequency setting/key lock operation selection	=> page 5-69

4.5.3 Setting the frequency by switches (multi-speed setting)

NOTES

- | Use the operation panel (FR-DU08) (FWD or REV key) to give a start command.
- | Turn ON the RH, RM, or RL signal to give a frequency command (multi-speed setting).
- | Set Pr. 79 "Operation mode selection" = "4" (External/PU combination operation mode 2).

Connection diagram

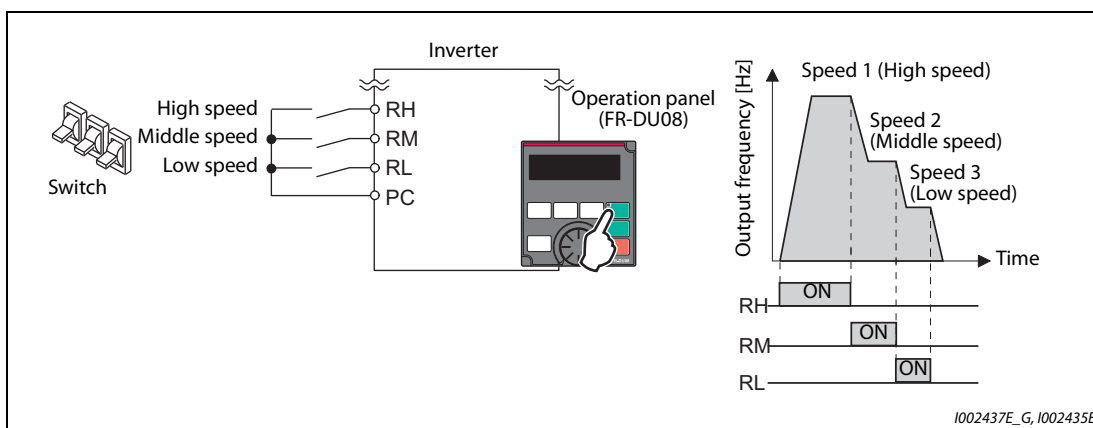


Fig. 4-5: Multi-speed selection by external terminals

Example ▽

Operation example: Operate at a low-speed (10 Hz).

Operation	
①	Screen at power-ON The monitor display appears.
②	Changing the operation mode Set "4" in Pr. 79. [PU] and [EXT] indicators are lit. (For setting value change, refer to page 4-9.)
③	Setting the frequency Turn ON the low-speed switch (RL).
④	Start → acceleration → constant speed Press FWD or REV to start running. The frequency value on the indication increases in Pr. 7 "Acceleration time", and "10.00" (10.00 Hz) appears.
⑤	Deceleration → stop Press STOP/RESET to stop. The frequency value on the indication decreases in Pr. 8 "Deceleration time", and the motor stops rotating with "00.00" (0.00 Hz) displayed. Turn OFF the low-speed switch (RL).

Tab. 4-12: Operate the inverter by using multi-speed setting



NOTES

The terminal RH is initially set to 60 Hz for the FM type inverter, and to 50 Hz for the CA type inverter. The terminal RM is set to 30 Hz, and the RL is set to 10 Hz. (To change the frequencies, set Pr. 4, Pr. 5, and Pr. 6.)

In the initial setting, when two or more of multi-speed settings are simultaneously selected, priority is given to the set frequency of the lower signal.

For example, when RH and RM signals turn ON, RM signal (Pr. 5) has a higher priority.

Maximum of 15-speed operation can be performed.

Parameters referred to			
Pr. 4 to Pr. 6	(multi-speed setting)	=>	page 5-146
Pr. 7	Acceleration time	=>	page 5-102
Pr. 8	Deceleration time	=>	page 5-102
Pr. 79	Operation mode selection	=>	page 5-119

4.5.4 Setting the frequency with analog signals (voltage input)

NOTES

- Use the operation panel (FR-DU08) (FWD or REV key) to give a start command.
- Use the potentiometer (frequency setting potentiometer) to give a frequency command (by connecting it across terminals 2 and 5 (voltage input)).
- Set Pr. 79 "Operation mode selection" = "4" (External/PU combination operation mode 2).

Connection diagram

(The inverter supplies 5 V power to the frequency setting potentiometer (terminal 10).)

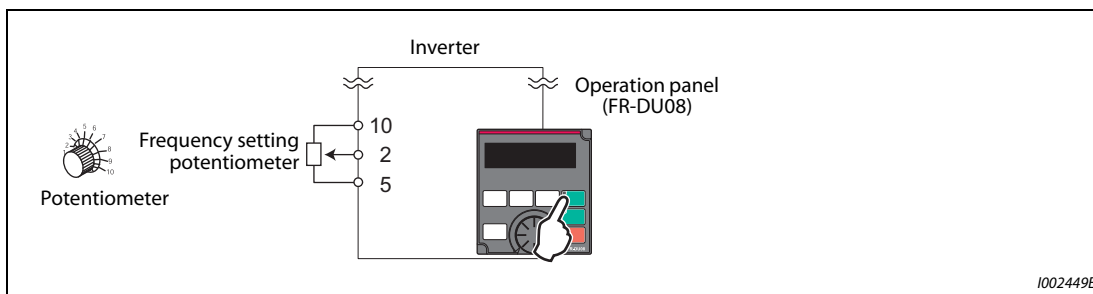


Fig. 4-6: Frequency setting by analog voltage input

Example ▾

Operation example: Operate at 60 Hz.

Operation	
①	Screen at power-ON The monitor display appears.
②	Changing the operation mode Set "4" in Pr. 79. [PU] and [EXT] indicators are lit. (For setting value change, refer to page 4-6.)
③	Start Press or . [FWD] or [REV] flickers as no frequency command is given.
④	Acceleration → constant speed Turn the potentiometer (frequency setting potentiometer) clockwise slowly to full. The frequency value on the indication increases in Pr. 7 "Acceleration time", and "60.00" (60.00 Hz) appears.
⑤	Deceleration Turn the potentiometer (frequency setting potentiometer) counterclockwise slowly to full. The frequency value on the indication decreases in Pr. 8 "Deceleration time", and the motor stops rotating with "00.00" (0.00 Hz) displayed. [FWD] or [REV] indicator flickers.
⑥	Stop Press . [FWD] or [REV] indicator turns OFF.

Tab. 4-13: Operate the inverter by using the analog voltage input



NOTES

To change the frequency (60 Hz) at the maximum voltage input (initial value 5 V), adjust Pr. 125 "Terminal 2 frequency setting gain frequency".

To change the frequency (0 Hz) at the minimum voltage input (initial value 0 V), adjust the calibration parameter C2 "Terminal 2 frequency setting bias frequency".

Parameters referred to		
Pr. 7	Acceleration time	=> page 5-102
Pr. 8	Deceleration time	=> page 5-102
Pr. 79	Operation mode selection	=> page 5-119
Pr. 125	Terminal 2 frequency setting gain frequency	=> page 5-266
C2 (Pr. 902)	Terminal 2 frequency setting bias frequency	=> page 5-266

4.5.5 Using an analog signal (current input) to give a frequency command

- NOTES**
- | Use the operation panel (FR-DU08) (FWD or REV key) to give a start command.
 - | Use the outputs from the current signal source (4 to 20 mA) to give a frequency command (by connecting it across terminals 4 and 5 (current input)).
 - | Turn ON the AU signal.
 - | Set Pr. 79 "Operation mode selection" ="4" (External/PU combination operation mode 2).

Connection diagram

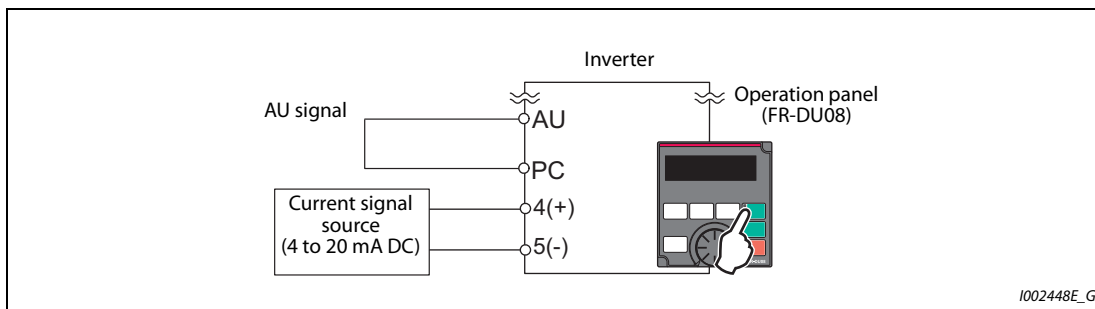





Fig. 4-7: Frequency setting by analog current input

Example ▽ Operation example: Operate at 60 Hz.

Operation	
①	Screen at power-ON The monitor display appears.
②	Changing the operation mode Set "4" in Pr. 79. [PU] and [EXT] indicators are lit. (For setting value change, refer to page 4-6.)
③	Terminal 4 input selection Turn ON the terminal 4 input selection signal (AU). Input to the terminal 4 is enabled.
④	Start Press  or  . [FWD] or [REV] flickers as no frequency command is given.
⑤	Acceleration → constant speed Input 20 mA. The frequency value on the indication increases in Pr. 7 "Acceleration time", and "60.00" (60.00 Hz) appears.
⑥	Deceleration Input 4 mA or less. The frequency value on the indication decreases in Pr. 8 "Deceleration time", and the motor stops rotating with "000" (0.00 Hz) displayed. [FWD] or [REV] indicator flickers.
⑦	Stop Press  . [FWD] or [REV] indicator turns OFF.

Tab. 4-14: Operate the inverter by using the analog current input



NOTES

Pr. 184 "AU terminal function selection" must be set to "4" (AU signal) (initial value).

To change the frequency (60 Hz) at the maximum current input (initial value 20 mA), adjust Pr. 126 "Terminal 4 frequency setting gain frequency".

To change the frequency (0 Hz) at the minimum current input (initial value 4 mA), adjust the calibration parameter C5 "Terminal 4 frequency setting bias frequency".

Parameters referred to		
Pr. 7	Acceleration time	=> page 5-102
Pr. 8	Deceleration time	=> page 5-102
Pr. 79	Operation mode selection	=> page 5-119
Pr. 126	Terminal 4 frequency setting gain frequency	=> page 5-266
Pr. 184	AU terminal function selection	=> page 5-285
C5 (Pr. 904)	Terminal 4 frequency setting bias frequency	=> page 5-266

4.6 Basic operation procedure (External operation)

NOTE

Where is the frequency command source?

- The frequency set in the frequency setting mode of the operation panel
=> Refer to section 4.6.1 (page 4-22).
- Switches (multi-speed setting) => Refer to section 4.6.2 (page 4-24).
- Voltage input signals => Refer to section 4.6.3 (page 4-26).
- Current input signals => Refer to section 4.6.5 (page 4-28).

4.6.1 Using the frequency set by the operation panel

NOTES

Turn ON the STF (STR) signal to give a start command.

Use the operation panel (FR-DU08) (setting dial) to give a frequency command.

Set Pr. 79 = "3" (External/PU combined operation mode 1).

Connection diagram

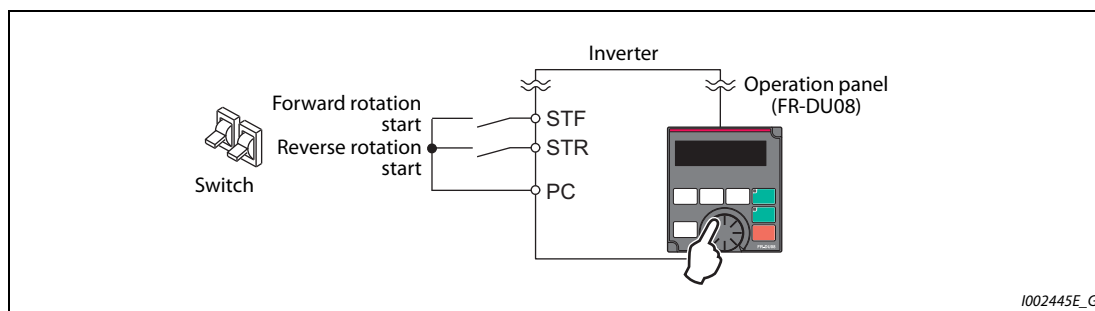






Fig. 4-8: External operation

Example ▾

Operation example: Operate at 30 Hz.

Operation	
①	Changing the operation mode Set "3" in Pr. 79. [PU] and [EXT] indicators are lit. (For setting value change, refer to page 4-6.)
②	Setting the frequency Turn  to until the target frequency, "30.00" (30.00 Hz), appears. The frequency flickers for about 5 s. While the value is flickering, press  to enter the frequency. "F" and "30.00" flicker alternately. After about 3 s of flickering, the indication goes back to "0.00" (monitor display). (If  is not pressed, the indication of the value goes back to "0.00" (0.00 Hz) after about 5 s of flickering. In that case, turn  again and set the frequency.)
③	Start → acceleration → constant speed Turn ON the start switch (STF or STR). The frequency value on the indication increases in Pr. 7 "Acceleration time", and "30.00" (30.00 Hz) appears. [FWD] indicator is lit during the forward rotation, and [REV] indicator is lit during the reverse rotation. (To change the set frequency, perform the operation in above step ②. The previously set frequency appears.)
④	Deceleration → stop Turn OFF the start switch (STF or STR). The frequency value on the indication decreases in Pr. 8 "Deceleration time", and the motor stops rotating with "0.00" (0.00 Hz) displayed.

Tab. 4-15: Operate the inverter by using external signals



NOTES

When both the forward rotation switch (STF) and the reverse rotation switch (STR) are ON, the motor cannot be started. If both are turned ON while the motor is running, the motor decelerates to a stop.

Pr. 178 "STF terminal function selection" must be set to "60" (or Pr. 179 "STR terminal function selection" must be set to "61"). (Both settings are initial values.)

Setting Pr. 79 "Operation mode selection" = "3" also enables multi-speed operation.

If stopped using STOP/RESET key on the operation panel during the External operation, the inverter enters the PU stop status.

("PS" appears on the operation panel.)

To reset the PU stop status, turn OFF the start switch (STF or STR), and then press PU/EXT key. (Refer to page 5-65.)

Parameters referred to		
Pr. 4 to Pr. 6	(multi-speed setting)	=> page 5-146
Pr. 7	Acceleration time	=> page 5-102
Pr. 8	Deceleration time	=> page 5-102
Pr. 178	STF terminal function selection	=> page 5-285
Pr. 179	STR terminal function selection	=> page 5-285
Pr. 79	Operation mode selection	=> page 5-119

4.6.2 Setting the frequency by switches (multi-speed setting) (Pr. 4 to Pr. 6)

NOTES

- | Turn ON the STF (STR) signal to give a start command.
- | Turn ON the RH, RM, or RL signal to give a frequency command. (Multi-speed setting)

Connection diagram

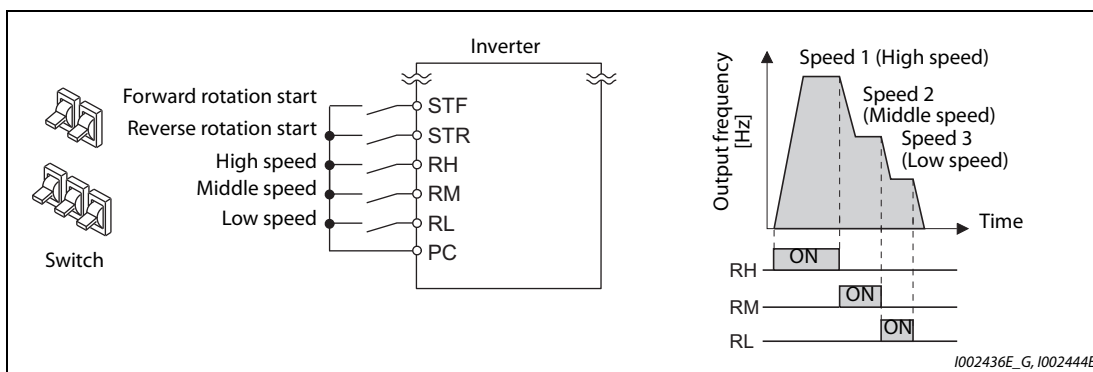


Fig. 4-9: Multi-speed setting in dependence on the terminals

Example ▾

Operation example: Operate at a high-speed (60 Hz).

Operation	
①	Screen at power-ON The monitor display appears.
②	Setting the frequency Turn ON the high-speed switch (RH).
③	Start → acceleration → constant speed Turn ON the start switch (STF or STR). The frequency value on the indication increases in Pr. 7 "Acceleration time", and "60.00" (60.00 Hz) appears. [FWD] indicator is lit during the forward rotation, and [REV] indicator is lit during the reverse rotation. When RM is turned ON, 30 Hz is displayed. When RL is turned ON, 10 Hz is displayed.
④	Deceleration → stop Turn OFF the start switch (STF or STR). The frequency value on the indication decreases in Pr. 8 "Deceleration time", and the motor stops rotating with "00.00" (0.00 Hz) displayed. [FWD] or [REV] indicator turns OFF. Turn OFF the high-speed switch (RH).

Tab. 4-16: Operate the inverter by using external signals



NOTES

- | When both the forward rotation switch (STF) and the reverse rotation switch (STR) are ON, the motor cannot be started. If both are turned ON while the motor is running, the motor decelerates to a stop.
- | The terminal RH is initially set to 60 Hz for the FM type inverter, and to 50 Hz for the CA type inverter. The terminal RM is set to 30 Hz, and the RL is set to 10 Hz. (To change the frequencies, set Pr. 4, Pr. 5, and Pr. 6.)
- | In the initial setting, when two or more of multi-speed settings are simultaneously selected, priority is given to the set frequency of the lower signal.
For example, when RH and RM signals turn ON, RM signal (Pr. 5) has a higher priority.
- | Maximum of 15-speed operation can be performed.

Parameters referred to			
Pr. 4 to Pr. 6	(multi-speed setting)	=>	page 5-146
Pr. 7	Acceleration time	=>	page 5-102
Pr. 8	Deceleration time	=>	page 5-102

4.6.3 Setting the frequency with analog signals (voltage input)

NOTES

Turn ON the STF (STR) signal to give a start command.

Use the potentiometer (frequency setting potentiometer) to give a frequency command (by connecting it across terminals 2 and 5 (voltage input)).

Connection diagram

(The inverter supplies 5 V power to the frequency setting potentiometer (terminal 10).)

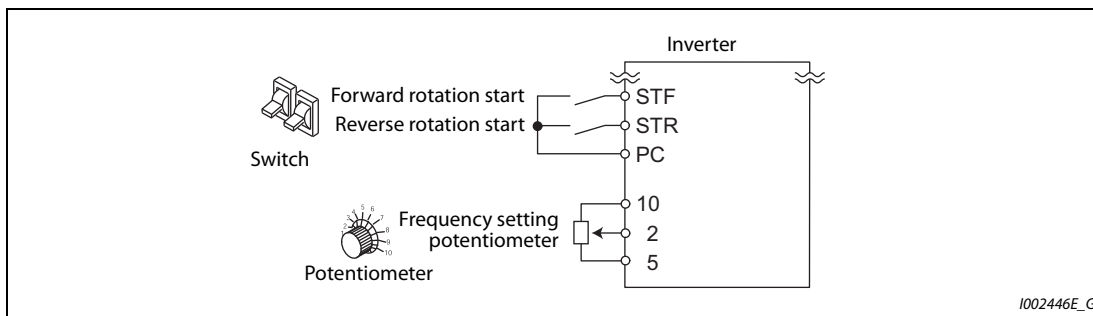


Fig. 4-10: Frequency setting by analog voltage input

Example ▽

Operation example: Operate at 60 Hz.

Operation	
①	Screen at power-ON The monitor display appears.
②	Start Turn ON the start switch (STF or STR). [FWD] or [REV] flickers as no frequency command is given.
③	Acceleration → constant speed Turn the potentiometer (frequency setting potentiometer) clockwise slowly to full. The frequency value on the indication increases in Pr. 7 "Acceleration time", and "60.00" (60.00 Hz) appears. [FWD] indicator is lit during the forward rotation, and [REV] indicator is lit during the reverse rotation.
④	Deceleration Turn the potentiometer (frequency setting potentiometer) counterclockwise slowly to full. The frequency value on the indication decreases in Pr. 8 "Deceleration time", and the motor stops rotating with "0.00" (0.00 Hz) displayed. [FWD] or [REV] indicator flickers.
⑤	Stop Turn OFF the start switch (STF or STR). [FWD] or [REV] indicator turns OFF.

Tab. 4-17: Operate the inverter by using the analog voltage input



NOTES

When both the forward rotation switch (STF) and the reverse rotation switch (STR) are ON, the motor cannot be started. If both are turned ON while the motor is running, the motor decelerates to a stop.

Pr. 178 "STF terminal function selection" must be set to "60" (or Pr. 179 "STR terminal function selection" must be set to "61"). (Both settings are initial values.)

Parameters referred to			
Pr. 7	Acceleration time	=>	page 5-102
Pr. 8	Deceleration time	=>	page 5-102
Pr. 178	STF terminal function selection	=>	page 5-285
Pr. 179	STR terminal function selection	=>	page 5-285

4.6.4 Changing the frequency (60 Hz, initial value) at the maximum voltage input (5 V, initial value)






Change the maximum frequency

Example ▾

Changing example

With a 0 to 5 V DC input frequency setting potentiometer, change the frequency at 5 V from 60 Hz (initial value) to 50 Hz.

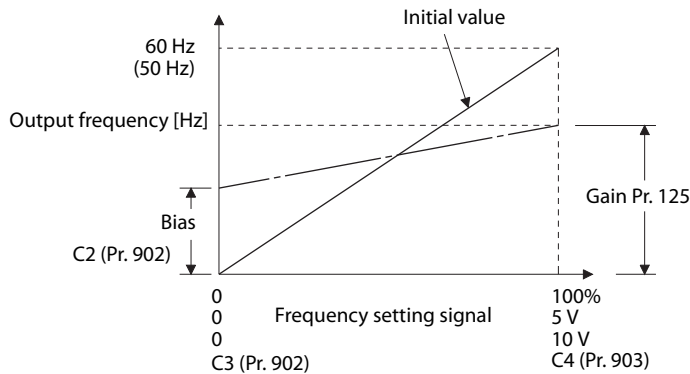
Adjust the setting so that the inverter outputs 50 Hz when 5 V is input. Set "50 Hz" in Pr. 125.

Operation	
①	Parameter selection Turn  until "P. 125" (Pr. 125) appears. Press  to show the present set value (60.00 Hz).
②	Changing the maximum frequency Turn  to change the set value to "5000". (50.00 Hz) Press  to enter the setting. "5000" and "P. 125" flicker alternately.
③	Checking the mode/monitor Press  three times to change to the monitor / frequency monitor.
④	Start Turn ON the start switch (STF or STR), then turn the potentiometer (frequency setting potentiometer) clockwise slowly to full. (Refer to steps ② and ③ in section 4.6.3.) Operate at 50 Hz.

Tab. 4-18: Change the frequency of the maximum analog value

NOTES

To set the frequency at 0 V, use the calibration parameter C2.



Other adjustment methods for the frequency setting voltage gain are the following: adjustment by applying a voltage directly across terminals 2 and 5, and adjustment using a specified point without applying a voltage across terminals 2 and 5.

Parameters referred to		
Pr. 125	Terminal 2 frequency setting gain frequency	=> page 5-266
C2 (Pr. 902)	Terminal 2 frequency setting bias frequency	=> page 5-266
C4 (Pr. 903)	Terminal 2 frequency setting gain	=> page 5-266

4.6.5 Using an analog signal (current input) to give a frequency command

NOTES

- | Turn ON the STF (STR) signal to give a start command.
- | Turn ON the AU signal.
- | Set Pr. 79 "Operation mode selection" = "2" (External operation mode).

Connection diagram

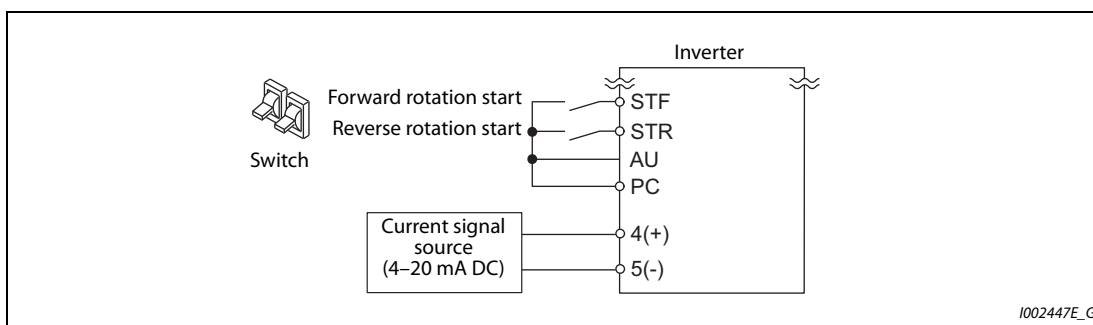


Fig. 4-11: Frequency setting by analog current input

Example ▾

Operation example: Operate at 60 Hz.

Operation	
①	Screen at power-ON The monitor display appears.
②	Terminal 4 input selection Turn ON the terminal 4 input selection signal (AU). Input to the terminal 4 is enabled.
③	Start Turn ON the start switch (STF or STR). [FWD] or [REV] flickers as no frequency command is given.
④	Acceleration → constant speed Input 20 mA. The frequency value on the indication increases in Pr. 7 "Acceleration time", and "60.00" (60.00 Hz) appears. [FWD] indicator is lit during the forward rotation, and [REV] indicator is lit during the reverse rotation.
⑤	Deceleration Input 4 mA or less. The frequency value on the indication decreases in Pr. 8 "Deceleration time", and the motor stops rotating with "00.00" (0.00 Hz) displayed. [FWD] or [REV] indicator flickers.
⑥	Stop Turn OFF the start switch (STF or STR). [FWD] or [REV] indicator turns OFF.

Tab. 4-19: Operate the inverter by using the analog current input



NOTES

- | When both the forward rotation switch (STF) and the reverse rotation switch (STR) are ON, the motor cannot be started. If both are turned ON while the motor is running, the motor decelerates to a stop.
- | Pr. 184 "AU terminal function selection" must be set to "4" (AU signal) (initial value).

Parameters referred to		
Pr. 7, Pr. 8	Acceleration time, Deceleration time	=> page 5-102
Pr. 184	AU terminal function selection	=> page 5-285

4.6.6 Changing the frequency (60 Hz, initial value) at the maximum current input (at 20 mA, initial value)






Change the maximum frequency

Example ▾

Changing example:

With a 4 to 20 mA input frequency setting potentiometer, change the frequency at 20 mA from 60 Hz (initial value) to 50 Hz.

Adjust the setting so that the inverter outputs 50 Hz when 20 mA is input. Set "50 Hz" in Pr. 126.

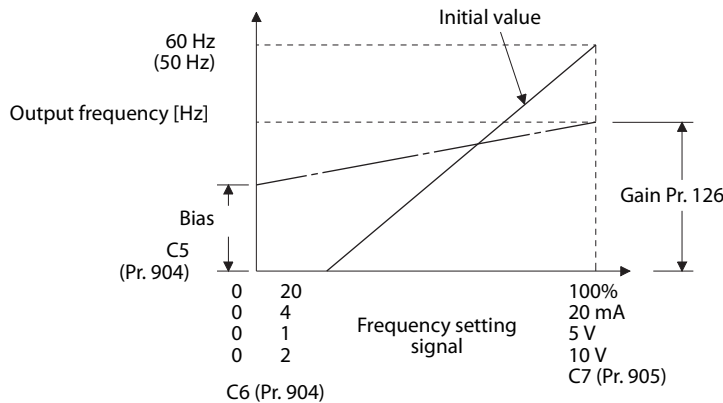
Operation	
①	Parameter selection Turn  until "P. 126" (Pr. 126) appears. Press  to show the present set value. (60.00 Hz)
②	Changing the maximum frequency Turn  to change the set value to "50.00". (50.00 Hz) Press  to enter the setting. "50.00" and "P. 126" flicker alternately.
③	Checking the mode/monitor Press  three times to change to the monitor / frequency monitor.
④	Start Turn ON the start switch (STF or STR), then turn the potentiometer (frequency setting potentiometer) clockwise slowly to full. (Refer to steps ③ and ④ in section 4.6.5.) Operate at 50 Hz.

Tab. 4-20: Change the frequency of the maximum analog value



NOTES

To set the frequency at 4 mA, use the calibration parameter C5.



Other adjustment methods for the frequency setting current gain are the following: adjustment by applying a current through terminals 4 and 5, and adjustment using a specified point without applying a current through terminals 4 and 5.

Parameters referred to		
Pr. 126	Terminal 4 frequency setting gain frequency	=> page 5-266
C5 (Pr. 904)	Terminal 4 frequency setting bias frequency	=> page 5-266
C7 (Pr. 905)	Terminal 4 frequency setting gain	=> page 5-266

4.7 Basic operation procedure (JOG operation)

4.7.1 Performing JOG operation using external signals

NOTES

- | Perform JOG operation only while the JOG signal is ON.
- | Use Pr. 15 "Jog frequency" and Pr. 16 "Jog acceleration/deceleration time" for the operation.
- | Set Pr. 79 "Operation mode selection" ="2" (External operation mode).

Connection diagram

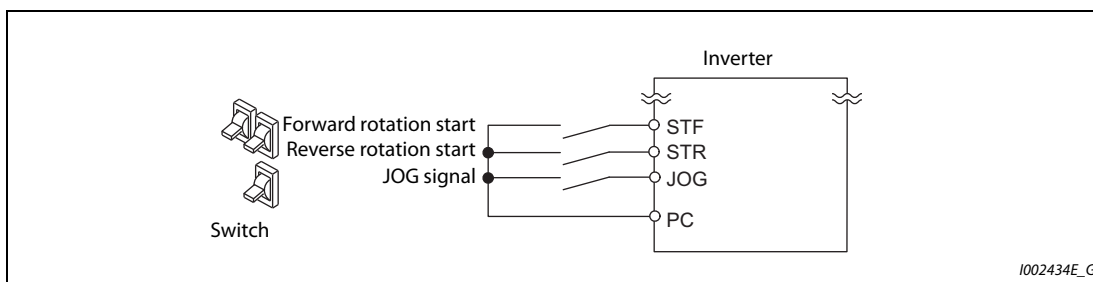


Fig. 4-12: JOG operation by external signals

Example ▾

Operation example: Operate at 5 Hz.

Operation	
①	Screen at power-ON The monitor display appears.
②	Turning ON the JOG signal Turn ON the JOG switch (JOG). The inverter is set ready for the JOG operation.
③	Start → acceleration → constant speed Turn ON the start switch (STF or STR). The frequency value on the indication increases in Pr. 16 "Jog acceleration/ deceleration time", and "5.00" (5.00 Hz) appears. [FWD] indicator is lit during the forward rotation, and [REV] indicator is lit during the reverse rotation.
④	Deceleration → stop Turn OFF the start switch (STF or STR). The frequency value on the indication decreases in Pr. 16 "Jog acceleration/ deceleration time", and the motor stops rotating with "0.00" (0.00 Hz) displayed. [FWD] or [REV] indicator turns OFF. Turn OFF the JOG switch (JOG).

Tab. 4-21: JOG operation in the external operation mode



NOTES

- | To change the running frequency, change Pr. 15 "Jog frequency" (initial value "5 Hz").
- | To change the acceleration/deceleration time, change Pr. 16 "Jog acceleration/deceleration time" (initial value "0.5 s").

Parameters referred to			
Pr. 15	Jog frequency	=>	page 5-144
Pr. 16	Jog acceleration/deceleration time	=>	page 5-144
Pr. 79	Operation mode selection	=>	page 5-119

4.7.2 JOG operation from the operation panel

NOTE Operate only while FWD or REV key is pressed.

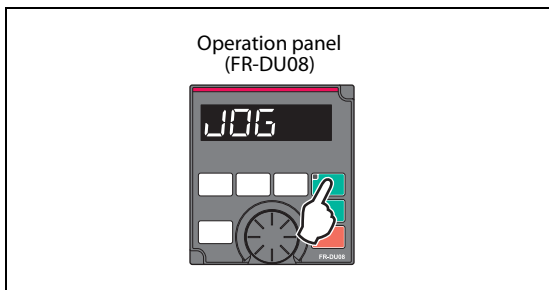







Fig. 4-13: Jog operation performed on the operation panel

I002433E

Example ▾ Operation example: Operate at 5 Hz.

Operation	
①	Screen at power-ON The monitor display appears.
②	Changing the operation mode Press  twice to choose the PUJOG operation mode. The monitor displays "JOG", and [PU] indicator is lit.
③	Start → acceleration → constant speed Keep pressing  or  . The frequency value on the indication increases in Pr. 16 "Jog acceleration/ deceleration time", and "5.00" (5.00 Hz) appears.
④	Deceleration → stop Release  or  . The frequency value on the indication decreases in Pr. 16 "Jog acceleration/deceleration time", and the motor stops rotating with "0.00" (0.00 Hz) displayed.

Tab. 4-22: JOG operation performed on the operation panel






NOTES

- To change the running frequency, change Pr. 15 "Jog frequency" (initial value "5 Hz").
- To change the acceleration/deceleration time, change Pr. 16 "Jog acceleration/deceleration time" (initial value "0.5 s").

Parameters referred to			
Pr. 15	Jog frequency	=>	page 5-144
Pr. 16	Jog acceleration/deceleration time	=>	page 5-144

5 Parameters

The following marks are used to indicate the controls as below. (Parameters without any mark are valid for all control.)

Mark	Control method	Applied motor
	V/F control	Three-phase induction motor
	Advanced magnetic flux vector control	
	PM motor control	IPM motor

The setting range and the initial value of parameters differ depending on the structure or functions of the inverter. The following common designations are used for each type of the inverter models.

Inverter model	Common designation
FR-F8□0	Standard model
FR-F8□2	Separated converter type
FR-F8□□-E	Model with built-in Ethernet board (FR-A8ETH)

Tab. 5-1: Designation of the inverter model

NOTE

Upon delivery the FR-F800-E inverter models are not equipped with the RS-485 terminal block.

5.1 Parameter List

5.1.1 Parameter list (by number)

For simple variable-speed operation of the inverter, the initial value of the parameters may be used as they are. Set the necessary parameters to meet the load and operational specifications. Parameter setting, change and check can be made from the operation panel (FR-DU08).

NOTES

Simple indicates simple mode parameters. Use Pr. 160 "User group read selection" to switch between the simple mode and extended mode.

Parameter setting may be restricted in some operating statuses. Use Pr. 77 "Parameter write selection" to change the setting.

Refer to Appendix A.3 (page A-5) for instruction codes for communication and availability of parameter clear, all clear, and parameter copy of each parameter.

Function	Pr.	Pr. group	Name	Setting range	Minimum setting increments	Initial value		Refer to page	Customer setting
						FM	CA		
Basic functions	0	G000	Torque boost Simple	0 to 30%	0.1%	6% ①		5-535	
						4% ①			
						3% ①			
						2% ①			
						1.5% ①			
	1% ①								
	1	H400	Maximum frequency Simple	0 to 120 Hz	0.01 Hz	120 Hz ②		5-176	
						60 Hz ③			
	2	H401	Minimum frequency Simple	0 to 120 Hz	0.01 Hz	0 Hz		5-176	
	3	G001	Base frequency Simple	0 to 590 Hz	0.01 Hz	60 Hz	50 Hz	5-537	
	4	D301	Multi-speed setting (high speed) Simple	0 to 590 Hz	0.01 Hz	60 Hz	50 Hz	5-60	
	5	D302	Multi-speed setting (middle speed) Simple	0 to 590 Hz	0.01 Hz	30 Hz		5-60	
6	D303	Multi-speed setting (low speed) Simple	0 to 590 Hz	0.01 Hz	10 Hz		5-60		
7	F010	Acceleration time Simple	0 to 3600 s	0.1 s	5 s ④		5-102		
					15 s ⑤				
8	F011	Deceleration time Simple	0 to 3600 s	0.1 s	10 s ④		5-102		
					30 s ⑤				
9	H000 C103	Electronic thermal O/L relay Simple	0 to 500 A	0.01 A ②	Inverter rated current		5-150, 5-303, 5-316		
		Rated motor current Simple	0 to 3600 A	0.1 A ③					


Tab. 5-2: Parameter overview (by number) (1)

Function	Pr.	Pr. group	Name	Setting range	Minimum setting increments	Initial value		Refer to page	Customer setting
						FM	CA		
DC injection brake	10	G100	DC injection brake operation frequency	0 to 120 Hz, 9999	0.01 Hz	3 Hz		5-545	
	11	G101	DC injection brake operation time	0 to 10 s, 8888	0.1 s	0.5 s		5-545	
	12	G110	DC injection brake operation voltage	0 to 30%	0.1%	4% ② 2% ② 1% ②	5-545		
—	13	F102	Starting frequency	0 to 60 Hz	0.01 Hz	0.5 Hz		5-115, 5-117	
—	14	G003	Load pattern selection	0, 1	1	1		5-539	
Jog operation	15	D200	Jog frequency	0 to 590 Hz	0.01 Hz	5 Hz		5-144	
	16	F002	Jog acceleration/deceleration time	0 to 3600 s	0.1 s	0.5 s		5-144	
—	17	T720	MRS input selection	0, 2, 4	1	0		5-289	
—	18	H402	High speed maximum frequency	0 to 590 Hz	0.01 Hz	120 Hz ② 60 Hz ③	5-176		
—	19	G002	Base frequency voltage	0 to 1000 V, 8888, 9999	0.1 V	9999	8888	5-537	
Acceleration/ deceleration times	20	F000	Acceleration/deceleration reference frequency	1 to 590 Hz	0.01 Hz	60 Hz	50 Hz	5-102	
	21	F001	Acceleration/deceleration time increments	0, 1	1	0		5-102	
Stall prevention	22	H500	Stall prevention operation level	0 to 400%	0.1%	120%	110%	5-180	
	23	H610	Stall prevention operation level compensation factor at double speed	0 to 200%, 9999	0.1%	9999		5-180	
Multi-speed setting	24 to 27	D304 to D307	Multi-speed setting (4 speed to 7 speed)	0 to 590 Hz, 9999	0.01 Hz	9999		5-60	
—	28	D300	Multi-speed input compensation selection	0, 1	1	0		5-146	
—	29	F100	Acceleration/deceleration pattern selection	0 to 3, 6	1	0		5-107	
—	30	E300	Regenerative function selection	0 to 2, 10, 11, 20, 21, 100 to 102, 110, 111, 120, 121 ② 2, 10, 11, 102, 110, 111 ①	1 1	0 10		5-552	
Frequency jump	31	H420	Frequency jump 1A	0 to 590 Hz, 9999	0.01 Hz	9999		5-178	
	32	H421	Frequency jump 1B	0 to 590 Hz, 9999	0.01 Hz	9999		5-178	
	33	H422	Frequency jump 2A	0 to 590 Hz, 9999	0.01 Hz	9999		5-178	
	34	H423	Frequency jump 2B	0 to 590 Hz, 9999	0.01 Hz	9999		5-178	
	35	H424	Frequency jump 3A	0 to 590 Hz, 9999	0.01 Hz	9999		5-178	
	36	H425	Frequency jump 3B	0 to 590 Hz, 9999	0.01 Hz	9999		5-178	
—	37	M000	Speed display	0, 1 to 9998	1	0		5-196	
Frequency detection	41	M441	Up-to-frequency sensitivity	0 to 100%	0.1%	10%		5-240	
	42	M442	Output frequency detection	0 to 590 Hz	0.01 Hz	6 Hz		5-240	
	43	M443	Output frequency detection for reverse rotation	0 to 590 Hz, 9999	0.01 Hz	9999		5-240	

Tab. 5-2: Parameter overview (by number) (2)

Function	Pr.	Pr. group	Name	Setting range	Minimum setting increments	Initial value		Refer to page	Customer setting
						FM	CA		
Second functions	44	F020	Second acceleration/deceleration time	0 to 3600 s	0.1 s	5 s		5-102	
	45	F021	Second deceleration time	0 to 3600 s, 9999	0.1 s	9999		5-102	
	46	G010	Second torque boost	0 to 30%, 9999	0.1%	9999		5-535	
	47	G011	Second V/F (base frequency)	0 to 590 Hz, 9999	0.01 Hz	9999		5-537	
	48	H600	Second stall prevention operation level	0 to 400%	0.1%	120%	110%	5-180	
	49	H601	Second stall prevention operation frequency	0 to 590 Hz, 9999	0.01 Hz	0 Hz		5-180	
	50	M444	Second output frequency detection	0 to 590 Hz	0.01 Hz	30 Hz		5-240	
	51	H010 C203	Second electronic thermal O/L relay Rated second motor current	0 to 500 A, 9999 ② 0 to 3600 A, 9999 ③	0.01 A 0.1 A	9999		5-150, 5-303, 5-316	
Monitor functions	52	M100	Operation panel main monitor selection	0, 5 to 14, 17, 18, 20, 23 to 25, 34, 38, 40 to 45, 50 to 57, 61, 62, 64, 67 to 69, 81 to 96, 98, 100	1	0		5-198	
	54	M300	FM/CA terminal function selection	1 to 3, 5 to 14, 17, 18, 21, 24, 34, 50, 52, 53, 61, 62, 67, 69, 70, 85, 87 to 90, 92, 93, 95, 98	1	1		5-211	
	55	M040	Frequency monitoring reference	0 to 590 Hz	0.01 Hz	60 Hz	50 Hz	5-211	
	56	M041	Current monitoring reference	0 to 500 A ② 0 to 3600 A ③	0.01 A 0.1 A	Inverter rated current		5-211	
Automatic restart	57	A702	Restart coasting time	0, 0.1 to 30 s, 9999	0.1 s	9999		5-415, 5-423	
	58	A703	Restart cushion time	0 to 60 s	0.1 s	1 s		5-415	
—	59	F101	Remote function selection	0 to 3, 11 to 13	1	0		5-111	
—	60	G030	Energy saving control selection	0, 4, 9	1	0		5-541	
—	65	H300	Retry selection	0 to 5	1	0		5-164	
—	66	H611	Stall prevention operation reduction starting frequency	0 to 590 Hz	0.01 Hz	60 Hz	50 Hz	5-180	
Retry	67	H301	Number of retries at fault occurrence	0 to 10, 101 to 110	1	0		5-164	
	68	H302	Retry waiting time	0.1 to 600 s	0.1 s	1 s		5-164	
	69	H303	Retry count display erase	0	1	0		5-164	
—	70	G107	Parameter for manufacturer setting. Do not set.						
—	71	C100	Applied motor	0 to 6, 13 to 16, 20, 23, 24, 40, 43, 44, 50, 53, 54, 70, 73, 74, 210, 213, 214, 240, 243, 244, 8090, 8093, 8094, 9090, 9093, 9094	1	0		5-41, 5-297, 5-303 5-316	
—	72	E600	PWM frequency selection	0 to 15 ② 0 to 6, 25 ③	1	2		5-88	
—	73	T000	Analog input selection	0 to 7, 10 to 17	1	1		5-255, 5-261	
—	74	T002	Input filter time constant	0 to 8	1	1		5-264	


Tab. 5-2: Parameter overview (by number) (3)

Function	Pr.	Pr. group	Name	Setting range	Minimum setting increments	Initial value		Refer to page	Customer setting			
						FM	CA					
—	75	—	Reset selection/disconnected PU detection/PU stop selection	0 to 3, 14 to 17 ^②	1	14		5-63				
				0 to 3, 14 to 17, 100 to 103, 114 to 117 ^③								
			E100	Reset selection						0, 1	0	
			E101	Disconnected PU detection							1	
			E102	PU stop selection							0	
E107	Reset limit	0 ^②	0									
				0, 1 ^③	1							
—	76	M510	Fault code output selection	0 to 2	1	0		5-252				
—	77	E400	Parameter write selection	0 to 2	1	0		5-72				
—	78	D020	Reverse rotation prevention selection	0 to 2	1	0		5-139				
—	79	D000	Operation mode selection 	0 to 4, 6, 7	1	0		5-119, 5-128				
Motor constants	80	C101	Motor capacity	0.4 to 55 kW, 9999 ^②	0.01 kW ^②	9999		5-41, 5-303, 5-316				
				0 to 3600 kW, 9999 ^③	0.1 kW ^③							
	81	C102	Number of motor poles	2, 4, 6, 8, 10, 12, 9999	1	9999		5-41, 5-303, 5-316				
	82	C125	Motor excitation current	0 to 500 A, 9999 ^②	0.01 A ^②	9999		5-303				
				0 to 3600 A, 9999 ^③	0.1 A ^③							
	83	C104	Rated motor voltage	0 to 1000 V	0.1 V	200 V ^⑦		5-41, 5-303, 5-316				
						400 V ^⑧						
	84	C105	Rated motor frequency	10 to 400 Hz, 9999	0.01 Hz	9999		5-41, 5-303, 5-316				
	89	G932	Speed control gain (Advanced magnetic flux vector)	0 to 200%, 9999	0.1%	9999		5-303				
	90	C120	Motor constant (R1)	0 to 50 Ω, 9999 ^②	0.001 Ω ^②	9999		5-303, 5-316, 5-426				
				0 to 400 mΩ, 9999 ^③	0.01 mΩ ^③							
	91	C121	Motor constant (R2)	0 to 50 Ω, 9999 ^②	0.001 Ω ^②	9999		5-303				
				0 to 400 mΩ, 9999 ^③	0.01 mΩ ^③							
	92	C122	Motor constant (L1)/d-axis inductance (Ld)	0 to 6000 mH, 9999 ^②	0.1 mH ^②	9999		5-303, 5-316				
0 to 400 mH, 9999 ^③				0.01 mH ^③								
93	C123	Motor constant (L2)/q-axis inductance (Lq)	0 to 6000 mH, 9999 ^②	0.1 mH ^②	9999		5-303, 5-316					
			0 to 400 mH, 9999 ^③	0.01 mH ^③								
94	C124	Motor constant (X)	0 to 100%, 9999	0.1% ^②	9999		5-303					
				0.01% ^③								
95	C111	Online auto tuning selection	0, 1	1	0		5-327					
96	C110	Auto tuning setting/status	0, 1, 11, 101	1	0		5-303, 5-316, 5-426					

Tab. 5-2: Parameter overview (by number) (4)

Function	Pr.	Pr. group	Name	Setting range	Minimum setting increments	Initial value		Refer to page	Customer setting
						FM	CA		
Adjustable 5 points V/F	100	G040	V/F1 (first frequency)	0 to 590 Hz, 9999	0.01 Hz	9999		5-542	
	101	G041	V/F1 (first frequency voltage)	0 to 1000 V	0.1 V	0 V		5-542	
	102	G042	V/F2 (second frequency)	0 to 590 Hz, 9999	0.01 Hz	9999		5-542	
	103	G043	V/F2 (second frequency voltage)	0 to 1000 V	0.1 V	0 V		5-542	
	104	G044	V/F3 (third frequency)	0 to 590 Hz, 9999	0.01 Hz	9999		5-542	
	105	G045	V/F3 (third frequency voltage)	0 to 1000 V	0.1 V	0 V		5-542	
	106	G046	V/F4 (fourth frequency)	0 to 590 Hz, 9999	0.01 Hz	9999		5-542	
	107	G047	V/F4 (fourth frequency voltage)	0 to 1000 V	0.1 V	0 V		5-542	
	108	G048	V/F5 (fifth frequency)	0 to 590 Hz, 9999	0.01 Hz	9999		5-542	
	109	G049	V/F5 (fifth frequency voltage)	0 to 1000 V	0.1 V	0 V		5-542	
—	111	F031	Check valve deceleration time	0 to 3600 s, 9999	0.1 s	9999		5-404	
PU connector communication	117	N020	PU communication station number	0 to 31	1	0		5-467	
	118	N021	PU communication speed	48, 96, 192, 384, 576, 768, 1152	1	192		5-467	
	119	—	PU communication stop bit length / data length	0, 1, 10, 11	1	1		5-467	
		N022	PU communication data length	0, 1		0			
		N023	PU communication stop bit length	0, 1		1			
	120	N024	PU communication parity check	0 to 2	1	2		5-467	
	121	N025	Number of PU communication retries	0 to 10, 9999	1	1		5-467	
	122	N026	PU communication check time interval	0, 0.1 to 999.8 s, 9999	0.1 s	9999		5-467	
	123	N027	PU communication waiting time setting	0 to 150 ms, 9999	1	9999		5-467	
	124	N028	PU communication CR/LF selection	0, 1, 2	1	1		5-467	
—	125	T022	Terminal 2 frequency setting gain frequency Simple	0 to 590 Hz	0.01 Hz	60 Hz	50 Hz	5-266	
—	126	T042	Terminal 4 frequency setting gain frequency Simple	0 to 590 Hz	0.01 Hz	60 Hz	50 Hz	5-266	
PID operation	127	A612	PID control automatic switchover frequency	0 to 590 Hz, 9999	0.01 Hz	9999		5-353	
	128	A610	PID action selection	0, 10, 11, 20, 21, 50, 51, 60, 61, 70, 71, 80, 81, 90, 91, 100, 101, 1000, 1001, 1010, 1011, 2000, 2001, 2010, 2011	1	0		5-353	
	129	A613	PID proportional band	0.1 to 1000%, 9999	0.1%	100%		5-353	
	130	A614	PID integral time	0.1 to 3600 s, 9999	0.1 s	1 s		5-353	
	131	A601	PID upper limit	0 to 100%, 9999	0.1%	9999		5-353	
	132	A602	PID lower limit	0 to 100%, 9999	0.1%	9999		5-353	
	133	A611	PID action set point	0 to 100%, 9999	0.01%	9999		5-353	
	134	A615	PID differential time	0.01 to 10 s, 9999	0.01 s	9999		5-353	
Bypass	135	A000	Electronic bypass sequence selection	0, 1	1	0		5-333	
	136	A001	MC switchover interlock time	0 to 100 s	0.1 s	1 s		5-333	
	137	A002	Start waiting time	0 to 100 s	0.1 s	0.5 s		5-333	
	138	A003	Bypass selection at a fault	0, 1	1	0		5-333	
	139	A004	Automatic switchover frequency from inverter to bypass operation	0 to 60 Hz, 9999	0.01 Hz	9999		5-333	

Tab. 5-2: Parameter overview (by number) (5)

Function	Pr.	Pr. group	Name	Setting range	Minimum setting increments	Initial value		Refer to page	Customer setting
						FM	CA		
Backlash measures	140	F200	Backlash acceleration stopping frequency	0 to 590 Hz	0.01 Hz	1 Hz		5-107	
	141	F201	Backlash acceleration stopping time	0 to 360 s	0.1 s	0.5 s		5-107	
	142	F202	Backlash deceleration stopping frequency	0 to 590 Hz	0.01 Hz	1 Hz		5-107	
	143	F203	Backlash deceleration stopping time	0 to 360 s	0.1 s	0.5 s		5-107	
—	144	M002	Speed setting switchover	0, 2, 4, 6, 8, 10, 12, 102, 104, 106, 108, 110, 112	1	4		5-196	
PU	145	E103	PU display language selection	0 to 7	1	—		5-67	
—	147	F022	Acceleration/deceleration time switching frequency	0 to 590 Hz, 9999	0.01 Hz	9999		5-102	
Current detection	148	H620	Stall prevention level at 0 V input	0 to 400%	0.1%	120%	110%	5-180	
	149	H621	Stall prevention level at 10 V input	0 to 400%	0.1%	150%	120%	5-180	
	150	M460	Output current detection level	0 to 400%	0.1%	120%	110%	5-244	
	151	M461	Output current detection signal delay time	0 to 10 s	0.1 s	0 s		5-244	
	152	M462	Zero current detection level	0 to 400%	0.1%	5%		5-244	
	153	M463	Zero current detection time	0 to 10 s	0.01 s	0.5 s		5-244	
—	154	H631	Voltage reduction selection during stall prevention operation	0, 1, 10, 11	1	1		5-180	
—	155	T730	RT signal function validity condition selection	0, 10	1	0		5-291	
—	156	H501	Stall prevention operation selection	0 to 31, 100, 101	1	0		5-180	
—	157	M430	OL signal output timer	0 to 25 s, 9999	0.1 s	0 s		5-180	
—	158	M301	AM terminal function selection	1 to 3, 5 to 14, 17, 18, 21, 24, 34, 50, 52 to 54, 61, 62, 67, 69, 70, 86 to 96, 98	1	1		5-211	
—	159	A005	Automatic switchover frequency range from bypass to inverter operation	0 to 10 Hz, 9999	0.01 Hz	9999		5-333	
—	160	E440	User group read selection 	0, 1, 9999	1	9999	0	5-85	
—	161	E200	Frequency setting/key lock operation selection	0, 1, 10, 11	1	0		5-69	
Automatic restart functions	162	A700	Automatic restart after instantaneous power failure selection	0 to 3, 10 to 13	1	0		5-415, 5-423, 5-426	
	163	A704	First cushion time for restart	0 to 20 s	0.1 s	0 s		5-415	
	164	A705	First cushion voltage for restart	0 to 100%	0.1%	0%		5-415	
	165	A710	Stall prevention operation level for restart	0 to 400%	0.1%	120%	110%	5-415	
Current detection	166	M433	Output current detection signal retention time	0 to 10 s, 9999	0.1 s	0.1 s		5-244	
	167	M464	Output current detection operation selection	0, 1, 10, 11	1	0		5-244	
Cumulative monitor clear	—	E000	Parameter for manufacturer setting. Do not set.	0, 10, 9999	1	9999		5-198	
		E080							
	—	E001							
		E081							
170	M020	Watt-hour meter clear	0, 10, 9999	1	9999		5-198		
171	M030	Operation hour meter clear	0, 9999	1	9999		5-198		

Tab. 5-2: Parameter overview (by number) (6)

Function	Pr.	Pr. group	Name	Setting range	Minimum setting increments	Initial value		Refer to page	Customer setting
						FM	CA		
User group	172	E441	User group registered display/batch clear	9999, (0 to 16)	1	0		5-85	
	173	E442	User group registration	0 to 1999, 9999	1	9999		5-85	
	174	E443	User group clear	0 to 1999, 9999	1	9999		5-85	
Input terminal function assignment	178	T700	STF terminal function selection	0 to 8, 10 to 14, 16, 18, 24, 25, 28, 37 to 40, 46 to 48, 50, 51, 60, 62, 64 to 67, 70 to 73, 77 to 81, 84, 94 to 98, 9999	1	60		5-285	
	179	T701	STR terminal function selection	0 to 8, 10 to 14, 16, 18, 24, 25, 28, 37 to 40, 46 to 48, 50, 51, 61, 62, 64 to 67, 70 to 73, 77 to 81, 84, 94 to 98, 9999	1	61		5-285	
	180	T702	RL terminal function selection	0 to 8, 10 to 14, 16, 18, 24, 25, 28, 37 to 40, 46 to 48, 50, 51, 62, 64 to 67, 70 to 73, 77 to 81, 84, 94 to 98, 9999	1	0		5-285	
	181	T703	RM terminal function selection		1	1		5-285	
	182	T704	RH terminal function selection		1	2		5-285	
	183	T705	RT terminal function selection		1	3		5-285	
	184	T706	AU terminal function selection		1	4		5-285	
	185	T707	JOG terminal function selection		1	5		5-285	
	186	T708	CS terminal function selection		1	9999		5-285	
	187	T709	MRS terminal function selection		1	24 ^⑩ 10 ^⑪		5-285	
	188	T710	STOP terminal function selection		1	25		5-285	
189	T711	RES terminal function selection	1		62		5-285		
Output terminal function assignment	190	M400	RUN terminal function selection		0 to 5, 7, 8, 10 to 19, 25, 26, 35, 39 to 42, 45 to 54, 57, 64 to 68, 70 to 80, 82, 85, 90 to 96, 98 to 105, 107, 108, 110 to 116, 125, 126, 135, 139 to 142, 145 to 154, 157, 164 to 168, 170 to 180, 182, 185, 190 to 196, 198 to 208, 211 to 213, 215, 217 to 220, 226, 228 to 230, 242 ^⑫ , 300 to 308, 311 to 313, 315, 317 to 320, 326, 328 to 330, 342 ^⑬ , 9999	1	0		5-231
	191	M401	SU terminal function selection	1		1		5-231	
	192	M402	IPF terminal function selection	1		2 ^⑭ ^⑮ 9999 ^⑯		5-231	
				1		3		5-231	
	194	M404	FU terminal function selection	1		4		5-231	
	195	M405	ABC1 terminal function selection	1		99		5-231	
	196	M406	ABC2 terminal function selection	1		9999		5-231	

Tab. 5-2: Parameter overview (by number) (7)

Function	Pr.	Pr. group	Name	Setting range	Minimum setting increments	Initial value		Refer to page	Customer setting
						FM	CA		
Multi-speed setting	232 to 239	D308 to D315	Multi-speed setting (8 speed to 15 speed)	0 to 590 Hz, 9999	0.01 Hz	9999		5-60	
—	240	E601	Soft-PWM operation selection	0, 1	1	1		5-88	
—	241	M043	Analog input display unit switchover	0, 1	1	0		5-266	
—	242	T021	Terminal 1 added compensation amount (terminal 2)	0 to 100%	0.1%	100%		5-261	
—	243	T041	Terminal 1 added compensation amount (terminal 4)	0 to 100%	0.1%	75%		5-261	
—	244	H100	Cooling fan operation selection	0, 1, 101 to 105	1	1		5-160	
Slip compensation	245	G203	Rated slip	0 to 50%, 9999	0.01%	9999		5-566	
	246	G204	Slip compensation time constant	0.01 to 10 s	0.01 s	0.5 s		5-566	
	247	G205	Constant-power range slip compensation selection	0, 9999	1	9999		5-566	
—	248	A006	Self power management selection	0 to 2	1	0		5-342	
—	249	H101	Earth (ground) fault detection at start	0, 1	1	0		5-293	
—	250	G106	Stop selection	0 to 100 s, 1000 to 1100 s, 8888, 9999	0.1 s	9999		5-293	
—	251	H200	Output phase loss protection selection	0, 1	1	1		5-163	
Frequency compensation function	252	T050	Override bias	0 to 200%	0.1%	50%		5-261	
	253	T051	Override gain	0 to 200%	0.1%	150%		5-261	
—	254	A007	Main circuit power OFF waiting time	1 to 3600 s, 9999	1 s	600 s		5-342	
Life check	255	E700	Life alarm status display	(0 to 15)	1	0		5-91	
	256 [Ⓜ]	E701	Inrush current limit circuit life display	(0 to 100%)	1%	100%		5-91	
	257	E702	Control circuit capacitor life display	(0 to 100%)	1%	100%		5-91	
	258 [Ⓜ]	E703	Main circuit capacitor life display	(0 to 100%)	1%	100%		5-91	
—	259 [Ⓜ]	E704	Main circuit capacitor life measuring	0, 1	1	0		5-91	
—	260	E602	PWM frequency automatic switchover	0, 1	1	1		5-88	
Power failure stop	261	A730	Power failure stop selection	0 to 2, 11, 12, 21, 22	1	0		5-432	
	262	A731	Subtracted frequency at deceleration start	0 to 20 Hz	0.01 Hz	3 Hz		5-432	
	263	A732	Subtraction starting frequency	0 to 590 Hz, 9999	0.01 Hz	60 Hz	50 Hz	5-432	
	264	A733	Power-failure deceleration time 1	0 to 3600 s	0.1 s	5 s		5-432	
	265	A734	Power-failure deceleration time 2	0 to 3600, 9999	0.1 s	9999		5-432	
	266	A735	Power failure deceleration time switchover frequency	0 to 590 Hz	0.01 Hz	60 Hz	50 Hz	5-432	
—	267	T001	Terminal 4 input selection	0, 1, 2	1	0		5-255	
—	268	M022	Monitor decimal digits selection	0, 1, 9999	1	9999		5-198	
—	269	E023	Parameter for manufacturer setting. Do not set.						
—	289	M431	Inverter output terminal filter	5 to 50 ms, 9999	1 ms	9999		5-231	
—	290	M044	Monitor negative output selection	0 to 7	1	0		5-198, 5-211	
—	291	D100	Pulse train I/O selection	0, 1, 10, 11, 20, 21, 100 (FM Type)	1	0		5-140, 5-211	
				0, 1 (CA Type)					
—	294	A785	UV avoidance voltage gain	0 to 200%	0.1%	100%		5-432	

Tab. 5-2: Parameter overview (by number) (8)

Function	Pr.	Pr. group	Name	Setting range	Minimum setting increments	Initial value		Refer to page	Customer setting
						FM	CA		
—	295	E201	Frequency change increment amount setting	0, 0.01, 0.1, 1, 10	0.01	0		5-70	
Password function	296	E410	Password lock level	0 to 6, 99, 100 to 106, 199, 9999	1	9999		5-76	
	297	E411	Password lock/unlock	(0 to 5), 1000 to 9998, 9999	1	9999		5-76	
—	298	A711	Frequency search gain	0 to 32767, 9999	1	9999		5-415	
—	299	A701	Rotation direction detection selection at restarting	0, 1, 9999	1	9999		5-415	
CC-Link	313 [®]	M410	DO0 output selection	0 to 5, 7, 8, 10 to 19, 25, 26, 35, 39 to 42, 45 to 54, 57, 64 to 66, 68, 70 to 80, 85 to 96, 98 to 105, 107, 108, 110 to 116, 125, 126, 135, 139 to 142, 145 to 154, 157, 164 to 166, 168, 170 to 180, 185 to 196, 198 to 208, 211 to 213, 215, 217 to 220, 226, 228 to 230, 242, 300 to 308, 311 to 313, 315, 317 to 320, 326, 328 to 330, 342, 9999	1	9999		5-231	
	314 [®]	M411	DO1 output selection	135, 139 to 142, 145 to 154, 157, 164 to 166, 168, 170 to 180, 185 to 196, 198 to 208, 211 to 213, 215, 217 to 220, 226, 228 to 230, 242, 300 to 308, 311 to 313, 315, 317 to 320, 326, 328 to 330, 342, 9999	1	9999		5-231	
	315 [®]	M412	DO2 output selection	135, 139 to 142, 145 to 154, 157, 164 to 166, 168, 170 to 180, 185 to 196, 198 to 208, 211 to 213, 215, 217 to 220, 226, 228 to 230, 242, 300 to 308, 311 to 313, 315, 317 to 320, 326, 328 to 330, 342, 9999	1	9999		5-231	
RS-485 communication	331	N030	RS-485 communication station number	0 to 31 (0 to 247)	1	0		5-467	
	332	N031	RS-485 communication speed	3, 6, 12, 24, 48, 96, 192, 384, 576, 768, 1152	1	96		5-467	
	333	—	RS-485 communication stop bit length / data length	0, 1, 10, 11	1	1		5-467	
		N032	RS-485 communication data length	0, 1	1	0			
		N033	RS-485 communication stop bit length	0, 1	1	1			
	334	N034	RS-485 communication parity check selection	0 to 2	1	2		5-467	
	335	N035	RS-485 communication retry count	0 to 10, 9999	1	1		5-467	
	336	N036	RS-485 communication check time interval	0 to 999.8 s, 9999	0.1 s	0 s		5-467	
	337	N037	RS-485 communication waiting time setting	0 to 150 ms, 9999	1 ms	9999		5-467	
	338	D010	Communication operation command source	0, 1	1	0		5-130	
	339	D011	Communication speed command source	0 to 2	1	0		5-130	
	340	D001	Communication startup mode selection	0 to 2, 10, 12	1	0		5-128	
	341	N038	RS-485 communication CR/LF selection	0 to 2	1	1		5-467	
	342	N001	Communication EEPROM write selection	0, 1	1	0		5-459	
	343	N080	Communication error count	—	1	0		5-488	
—	349 [®]	N010	Communication reset selection	0, 1	1	0		5-459	
—	374	H800	Overspeed detection level	0 to 590 Hz, 9999	0.01 Hz	9999		5-194	
Pulse train input	384	D101	Input pulse division scaling factor	0 to 250	1	0		5-140	
	385	D110	Frequency for zero input pulse	0 to 590 Hz	0.01 Hz	0 Hz		5-140	
	386	D111	Frequency for maximum input pulse	0 to 590 Hz	0.01 Hz	60 Hz	50 Hz	5-140	
—	390	N054	% setting reference frequency	1 to 590 Hz	0.01 Hz	60 Hz	50 Hz	5-506	

Tab. 5-2: Parameter overview (by number) (9)

Function	Pr.	Pr. group	Name	Setting range	Minimum setting increments	Initial value		Refer to page	Customer setting	
						FM	CA			
PLC function	414	A800	PLC function operation selection	0 to 2	1	0		5-439		
	415	A801	Inverter operation lock mode setting	0, 1	1	0		5-439		
	416	A802	Pre-scale function selection	0 to 5	1	0		5-439		
	417	A803	Pre-scale setting value	0 to 32767	1	1		5-439		
Second motor constants	450	C200	Second applied motor	0, 1, 3 to 6, 13 to 16, 20, 23, 24, 40, 43, 44, 50, 53, 54, 70, 73, 74, 210, 213, 214, 240, 243, 244, 8093, 8094, 9090, 9093, 9094, 9999	1	9999		5-297		
	453	C201	Second motor capacity	0.4 to 55 kW, 9999 ^②	0.01 kW ^②	9999		5-303, 5-316		
				0 to 3600 kW, 9999 ^③	0.1 kW ^③					
	454	C202	Number of second motor poles	2, 4, 6, 8, 10, 12, 9999	1	9999		5-303, 5-316		
	455	C225	Second motor excitation current	0 to 500 A, 9999 ^②	0.01 A ^②	9999		5-303		
				0 to 3600 A, 9999 ^③	0.1 A ^③					
	456	C204	Rated second motor voltage	0 to 1000 V	0.1 V	200 V	400 V		5-303, 5-316	
	457	C205	Rated second motor frequency	10 to 400 Hz, 9999	0.01 Hz	9999		5-303, 5-316		
	458	C220	Second motor constant (R1)	0 to 50 Ω, 9999 ^②	0.001 Ω ^②	9999		5-303, 5-316, 5-426		
				0 to 400 mΩ, 9999 ^③	0.01 mΩ ^③					
	459	C221	Second motor constant (R2)	0 to 50 Ω, 9999 ^②	0.001 Ω ^②	9999		5-303		
				0 to 400 mΩ, 9999 ^③	0.01 mΩ ^③					
	460	C222	Second motor constant (L1) / d-axis inductance (Ld)	0 to 6000 mH, 9999 ^②	0.1 mH ^②	9999		5-303, 5-316		
				0 to 400 mH, 9999 ^③	0.01 mH ^③					
461	C223	Second motor constant (L2) / q-axis inductance (Lq)	0 to 6000 mH, 9999 ^②	0.1 mH ^②	9999		5-303, 5-316			
			0 to 400 mH, 9999 ^③	0.01 mH ^③						
462	C224	Second motor constant (X)	0 to 100%, 9999	0.1% ^②	9999		5-303			
				0.01% ^③						
463	C210	Second motor auto tuning setting/status	0, 1, 11, 101	1	0		5-303, 5-316, 5-426			
Remote output	495	M500	Remote output selection	0, 1, 10, 11	1	0		5-247		
	496	M501	Remote output data 1	0 to 4095	1	0		5-247		
	497	M502	Remote output data 2	0 to 4095	1	0		5-247		
—	498	A804	PLC function flash memory clear	0, 9696 (0 to 9999)	1	0		5-439		
—	500 ^⑤	N011	Communication error execution waiting time	0 to 999.8 s	0.1 s	0 s		5-459		
—	501 ^⑤	N012	Communication error occurrence count display	0	1	0		5-459		
—	502	N013	Stop mode selection at communication error	0 to 4	1	0		5-459		
Maintenance	503	E710	Maintenance timer 1	0 (1 to 9998)	1	0		5-95		
	504	E711	Maintenance timer 1 warning output set time	0 to 9998, 9999	1	9999		5-95		
—	505	M001	Speed setting reference	1 to 590 Hz	0.01 Hz	60 Hz	50 Hz	5-196		

Tab. 5-2: Parameter overview (by number) (10)

Function	Pr.	Pr. group	Name	Setting range	Minimum setting increments	Initial value		Refer to page	Customer setting
						FM	CA		
—	514 [Ⓜ]	H324	Emergency drive dedicated retry waiting time	0.1 to 600 s, 9999	0.1 s	9999		5-167	
—	515 [Ⓜ]	H322	Emergency drive dedicated retry count	1 to 200, 9999	1	1		5-167	
—	522	G105	Output stop frequency	0 to 590 Hz, 9999	0.01 Hz	9999		5-548	
—	523 [Ⓜ]	H320	Emergency drive mode selection	100, 111, 112, 121 to 124, 200, 211, 212, 221 to 224, 300, 311, 312, 321 to 324, 400, 411, 412, 421 to 424, 9999	1	9999		5-167	
—	524 [Ⓜ]	H321	Emergency drive running speed	0 to 590 Hz, 9999	0.01 Hz	9999		5-167	
—	539	N002	MODBUS [®] RTU communication check time interval	0 to 999.8 s, 9999	0.1 s	9999		5-488	
CC-Link	541 [Ⓜ]	N100	Frequency command sign selection	0, 1	1	0		5-610	
	544 [Ⓜ]	N103	CC-Link extended setting	0, 1, 12, 14, 18, 24, 28, 100, 112, 114, 118, 128	1	0		5-610	
USB	547	N040	USB communication station number	0 to 31	1	0		5-531	
	548	N041	USB communication check time interval	0 to 999.8 s, 9999	0.1 s	9999		5-531	
Communication	549	N000	Protocol selection	0, 1, 2	1	0		5-459	
	550	D012	NET mode operation command source selection	0, 1, 5 [Ⓜ] , 9999	1	9999		5-130	
	551	D013	PU mode operation command source selection	1 to 3, 5 [Ⓜ] , 9999	1	9999		5-130	
—	552	H429	Frequency jump range	0 to 30 Hz, 9999	0.01 Hz	9999		5-178	
PID control	553	A603	PID deviation limit	0.0 to 100%, 9999	0.1%	9999		5-353	
	554	A604	PID signal operation selection	0 to 7, 10 to 17	1	0		5-353	
Current average value monitor	555	E720	Current average time	0.1 to 1 s	0.1 s	1 s		5-97	
	556	E721	Data output mask time	0 to 20 s	0.1 s	0 s		5-97	
	557	E722	Current average value monitor signal output reference current	0 to 500 A ^② 0 to 3600 A ^③	0.01 A ^② 0.1 A ^③	Inverter rated current		5-97	
—	560	A712	Second frequency search gain	0 to 32767, 9999	1	9999		5-303, 5-415	
—	561	H020	PTC thermistor protection level	0.5 to 30 kΩ, 9999	0.01 kΩ	9999		5-150	
—	563	M021	Energization time carrying-over times	(0 to 65535)	1	0		5-198	
—	564	M031	Operating time carrying-over times	(0 to 65535)	1	0		5-198	
Second motor constants	569	G942	Second motor speed control gain	0 to 200%, 9999	0.1%	9999		5-45	
Multiple rating	570	E301	Multiple rating setting	0, 1	1	1	0	5-71	
—	571	F103	Holding time at a start	0 to 10 s, 9999	0.1 s	9999		5-115	
—	573	A680 T052	4 mA input check selection	1 to 4, 9999	1	9999		5-280	
—	574	C211	Second motor online auto tuning	0, 1	1	0		5-327	
PID control	575	A621	Output interruption detection time	0 to 3600 s, 9999	0.1 s	1 s		5-353	
	576	A622	Output interruption detection level	0 to 590 Hz	0.01 Hz	0 Hz		5-353	
	577	A623	Output interruption cancel level	900 to 1100%	0.1%	1000%		5-353	

Tab. 5-2: Parameter overview (by number) (11)

Function	Pr.	Pr. group	Name	Setting range	Minimum setting increments	Initial value		Refer to page	Customer setting
						FM	CA		
Pump function	578	A400	Auxiliary motor operation selection	0 to 3	1	0		5-392	
	579	A401	Motor connection function selection	0 to 3	1	0		5-392	
	580	A402	MC switching interlock time	0 to 100 s	0.1 s	1 s		5-392	
	581	A403	Start waiting time	0 to 100 s	0.1 s	1 s		5-392	
	582	A404	Auxiliary motor connection-time deceleration time	0 to 3600 s, 9999	0.1 s	1 s		5-392	
	583	A405	Auxiliary motor disconnection-time acceleration time	0 to 3600 s, 9999	0.1 s	1 s		5-392	
	584	A406	Auxiliary motor 1 starting frequency	0 to 590 Hz	0.01 Hz	60 Hz	50 Hz	5-392	
	585	A407	Auxiliary motor 2 starting frequency	0 to 590 Hz	0.01 Hz	60 Hz	50 Hz	5-392	
Pump function	586	A408	Auxiliary motor 3 starting frequency	0 to 590 Hz	0.01 Hz	60 Hz	50 Hz	5-392	
	587	A409	Auxiliary motor 1 stopping frequency	0 to 590 Hz	0.01 Hz	0 Hz		5-392	
	588	A410	Auxiliary motor 2 stopping frequency	0 to 590 Hz	0.01 Hz	0 Hz		5-392	
	589	A411	Auxiliary motor 3 stopping frequency	0 to 590 Hz	0.01 Hz	0 Hz		5-392	
	590	A412	Auxiliary motor start detection time	0 to 3600 s	0.1 s	5 s		5-392	
	591	A413	Auxiliary motor stop detection time	0 to 3600 s	0.1 s	5 s		5-392	
Traverse function	592	A300	Traverse function selection	0 to 2	1	0		5-346	
	593	A301	Maximum amplitude amount	0 to 25%	0.1%	10%		5-346	
	594	A302	Amplitude compensation amount during deceleration	0 to 50%	0.1%	10%		5-346	
	595	A303	Amplitude compensation amount during acceleration	0 to 50%	0.1%	10%		5-346	
	596	A304	Amplitude acceleration time	0.1 to 3600 s	0.1 s	5 s		5-346	
	597	A305	Amplitude deceleration time	0.1 to 3600 s	0.1 s	5 s		5-346	
—	598 [®]	H102	Undervoltage level	350 to 430 V, 9999	0.1 V	9999		5-161	
—	599	T721	X10 terminal input selection	0, 1	1	0 [®] [Ⓢ] 1 [Ⓢ]		5-552	
Electronic thermal O/L relay	600	H001	First free thermal reduction frequency 1	0 to 590 Hz, 9999	0.01 Hz	9999		5-150	
	601	H002	First free thermal reduction ratio 1	1 to 100%	1%	100%		5-150	
	602	H003	First free thermal reduction frequency 2	0 to 590 Hz, 9999	0.01 Hz	9999		5-150	
	603	H004	First free thermal reduction ratio 2	1 to 100%	1%	100%		5-150	
	604	H005	First free thermal reduction frequency 3	0 to 590 Hz, 9999	0.01 Hz	9999		5-150	
—	606	T722	Power failure stop external signal input selection	0, 1	1	1		5-432	
—	607	H006	Motor permissible load level	110 to 250%	1%	150%		5-150	
—	608	H016	Second motor permissible load level	110 to 250%, 9999	1%	9999		5-150	
PID control	609	A624	PID set point/deviation input selection	1 to 5	1	2		5-353	
	610	A625	PID measured value input selection	1 to 5, 101 to 105	1	3		5-353	
—	611	F003	Acceleration time at a restart	0 to 3600 s, 9999	0.1 s	9999		5-415, 5-423	
Speed smoothing control	653	G410	Speed smoothing control	0 to 200%	0.1%	0%		5-567	
	654	G411	Speed smoothing cutoff frequency	0 to 120 Hz	0.01 Hz	20 Hz		5-567	

Tab. 5-2: Parameter overview (by number) (12)

Function	Pr.	Pr. group	Name	Setting range	Minimum setting increments	Initial value		Refer to page	Customer setting
						FM	CA		
Analog remote output function	655	M530	Analog remote output selection	0, 1, 10, 11	1	0		5-249	
	656	M531	Analog remote output 1	800 to 1200%	0.1%	1000%		5-249	
	657	M532	Analog remote output 2	800 to 1200%	0.1%	1000%		5-249	
	658	M533	Analog remote output 3	800 to 1200%	0.1%	1000%		5-249	
	659	M534	Analog remote output 4	800 to 1200%	0.1%	1000%		5-249	
Increased magnetic excitation deceleration	660	G130	Increased magnetic excitation deceleration operation selection	0, 1	1	0		5-564	
	661	G131	Magnetic excitation increase rate	0 to 40%, 9999	0.1%	9999		5-564	
	662	G132	Increased magnetic excitation current level	0 to 300%	0.1%	100%		5-564	
—	663	M060	Control circuit temperature signal output level	0 to 100 °C	1 °C	0 °C		5-254	
—	665	G125	Regeneration avoidance frequency gain	0 to 200%	0.1%	100%		5-560	
—	668	A786	Power failure stop frequency gain	0 to 200%	0.1%	100%		5-432	
—	673	G060	SF-PR slip amount adjustment operation selection	2, 4, 6, 9999	1	9999		5-544	
—	674	G061	SF-PR slip amount adjustment gain	0 to 500%	0.1%	100%		5-544	
—	684	C000	Tuning data unit switchover	0, 1	1	0		5-303, 5-316	
Maintenance	686	E712	Maintenance timer 2	0 (1 to 9998)	1	0		5-95	
	687	E713	Maintenance timer 2 warning output set time	0 to 9998, 9999	1	9999		5-95	
	688	E714	Maintenance timer 3	0 (1 to 9998)	1	0		5-95	
	689	E715	Maintenance timer 3 warning output set time	0 to 9998, 9999	1	9999		5-95	
Electronic thermal O/L relay	692	H011	Second free thermal reduction frequency 1	0 to 590 Hz, 9999	0.01 Hz	9999		5-150	
	693	H012	Second free thermal reduction ratio 1	1 to 100%	1%	100%		5-150	
	694	H013	Second free thermal reduction frequency 2	0 to 590 Hz, 9999	0.01 Hz	9999		5-150	
	695	H014	Second free thermal reduction ratio 2	1 to 100%	1%	100%		5-150	
	696	H015	Second free thermal reduction frequency 3	0 to 590 Hz, 9999	0.01 Hz	9999		5-150	
—	699	T740	Input terminal filter	5 to 50 ms, 9999	1 ms	9999		5-285	
Motor constants	702	C106	Maximum motor frequency	0 to 400 Hz, 9999	0.01 Hz	9999		5-316	
	706	C130	Induced voltage constant (phi f)	0 to 5000 mV/(rad/s), 9999	0.1 mV/(rad/s)	9999		5-316	
	707	C107	Motor inertia (integer)	10 to 999, 9999	1	9999		5-316	
	711	C131	Motor Ld decay ratio	0 to 100%, 9999	0.1%	9999		5-316	
	712	C132	Motor Lq decay ratio	0 to 100%, 9999	0.1%	9999		5-316	
	717	C182	Starting resistance tuning compensation	0 to 200%, 9999	0.1%	9999		5-316	
	721	C185	Starting magnetic pole position detection pulse width	0 to 6000 μs, 10000 to 16000 μs, 9999	1 μs	9999		5-316	
	724	C108	Motor inertia (exponent)	0 to 7, 9999	1	9999		5-316	
	725	C133	Motor protection current level	100 to 500%, 9999	0.1%	9999		5-316	

Tab. 5-2: Parameter overview (by number) (13)

Function	Pr.	Pr. group	Name	Setting range	Minimum setting increments	Initial value		Refer to page	Customer setting
						FM	CA		
BACnet MS/TP protocol	726	N050	Auto Baudrate/Max Master	0 to 255	1	255		5-506	
	727	N051	Max Info Frames	1 to 255	1	1		5-506	
	728	N052	Device instance number (Upper 3 digits)	0 to 419 (0 to 418)	1	0		5-506	
	729	N053	Device instance number (Lower 4 digits)	0 to 9999 (0 to 4302)	1	0		5-506	
Motor constants	738	C230	Second motor induced voltage constant (phi f)	0 to 5000 mV/(rad/s), 9999	0.1 mV/(rad/s)	9999		5-316	
	739	C231	Second motor Ld decay ratio	0 to 100%, 9999	0.1%	9999		5-316	
	740	C232	Second motor Lq decay ratio	0 to 100%, 9999	0.1%	9999		5-316	
	741	C282	Second starting resistance tuning compensation	0 to 200%, 9999	0.1%	9999		5-316	
	742	C285	Second motor magnetic pole detection pulse width	0 to 6000 μ s, 10000 to 16000 μ s, 9999	1 μ s	9999		5-316	
	743	C206	Second motor maximum frequency	0 to 400 Hz, 9999	0.01 Hz	9999		5-316	
	744	C207	Second motor inertia (integer)	10 to 999, 9999	1	9999		5-316	
	745	C208	Second motor inertia (exponent)	0 to 7, 9999	1	9999		5-316	
	746	C233	Second motor protection current level	100 to 500%, 9999	0.1%	9999		5-316	
PID control	753	A650	Second PID action selection	0, 10, 11, 20, 21, 50, 51, 60, 61, 70, 71, 80, 81, 90, 91, 100, 101, 1000, 1001, 1010, 1011, 2000, 2001, 2010, 2011	1	0		5-353	
	754	A652	Second PID control automatic switchover frequency	0 to 590 Hz, 9999	0.01 Hz	9999		5-353	
	755	A651	Second PID action set point	0 to 100%, 9999	0.01%	9999		5-353	
	756	A653	Second PID proportional band	0.1 to 1000%, 9999	0.1%	100%		5-353	
	757	A654	Second PID integral time	0.1 to 3600 s, 9999	0.1 s	1 s		5-353	
	758	A655	Second PID differential time	0.01 to 10 s, 9999	0.01 s	9999		5-353	
	759	A600	PID unit selection	0 to 43, 9999	1	9999		5-381	
PID pre-charge function	760	A616	Pre-charge fault selection	0, 1	1	0		5-385	
	761	A617	Pre-charge ending level	0 to 100%, 9999	0.1%	9999		5-385	
	762	A618	Pre-charge ending time	0 to 3600 s, 9999	0.1 s	9999		5-385	
	763	A619	Pre-charge upper detection level	0 to 100%, 9999	0.1%	9999		5-385	
	764	A620	Pre-charge time limit	0 to 3600 s, 9999	0.1 s	9999		5-385	
	765	A656	Second pre-charge fault selection	0, 1	1	0		5-385	
	766	A657	Second pre-charge ending level	0 to 100%, 9999	0.1%	9999		5-385	
	767	A658	Second pre-charge ending time	0 to 3600 s, 9999	0.1 s	9999		5-385	
	768	A659	Second pre-charge upper detection level	0 to 100%, 9999	0.1%	9999		5-385	
	769	A660	Second pre-charge time limit	0 to 3600 s, 9999	0.1 s	9999		5-385	
Monitor function	774	M101	Operation panel monitor selection 1	1 to 3, 5 to 14, 17, 18, 20, 23 to 25, 34, 38, 40 to 45, 50 to 57, 61, 62, 64, 67 to 69, 81 to 96, 98, 100, 9999	1	9999		5-198	
	775	M102	Operation panel monitor selection 2		1	9999		5-198	
	776	M103	Operation panel monitor selection 3		1	9999		5-198	
—	777	A681 T053	4 mA input check operation frequency	0 to 590 Hz, 9999	0.01 Hz	9999		5-280	
—	778	A682 T054	4 mA input check filter	0 to 10 s	0.01 s	0 s		5-280	

Tab. 5-2: Parameter overview (by number) (14)

Function	Pr.	Pr. group	Name	Setting range	Minimum setting increments	Initial value		Refer to page	Customer setting	
						FM	CA			
—	779	N014	Operation frequency during communication error	0 to 590 Hz, 9999	0.01 Hz	9999		5-459		
—	791	F070	Acceleration time in low-speed range	0 to 3600 s, 9999	0.1 s	9999		5-102		
—	792	F071	Deceleration time in low-speed range	0 to 3600 s, 9999	0.1 s	9999		5-102		
—	799	M520	Pulse increment setting for output power	0.1, 1, 10, 100, 1000 kWh	0.1 kWh	1 kWh		5-253		
—	800	G200	Control method selection	9, 20	1	20		5-41		
Adjustment function	820	G211	Speed control P gain 1	0 to 1000%	1%	25%		5-55		
	821	G212	Speed control integral time 1	0 to 20 s	0.001 s	0.333 s		5-55		
	822	T003	Speed setting filter 1	0 to 5 s, 9999	0.001 s	9999		5-264		
	824	G213	Torque control P gain 1 (current loop proportional gain)	0 to 500%	1%	50%		5-55		
	825	G214	Torque control integral time 1 (current loop integral time)	0 to 500 ms	0.1 ms	40 ms		5-55		
	827	G216	Torque detection filter 1	0 to 0.1 s	0.001 s	0 s		5-59		
	828	G224	Parameter for manufacturer setting. Do not set.							
	830	G311	Speed control P gain 2	0 to 1000%, 9999	1%	9999		5-55		
	831	G312	Speed control integral time 2	0 to 20 s, 9999	0.001 s	9999		5-55		
	832	T005	Speed setting filter 2	0 to 5 s, 9999	0.001 s	9999		5-264		
	834	G313	Torque control P gain 2	0 to 500%, 9999	1%	9999		5-55		
	835	G314	Torque control integral time 2	0 to 500 ms, 9999	0.1 ms	9999		5-55		
	837	G316	Torque detection filter 2	0 to 0.1 s, 9999	0.001 s	9999		5-59		
Additional function	849	T007	Analog input offset adjustment	0 to 200%	0.1%	100%		5-264		
Additional function	858	T040	Terminal 4 function assignment	0, 4, 9999	1	0		5-180, 5-260		
	859	C126	Torque current/Rated PM motor current	0 to 500 A, 9999 ②	0.01 A ②	9999		5-303, 5-316		
				0 to 3600 A, 9999 ③	0.1 A ③					
	860	C226	Second motor torque current/Rated PM motor current	0 to 500 A, 9999 ②	0.01 A ②	9999		5-303, 5-316		
0 to 3600 A, 9999 ③				0.1 A ③						
864	M470	Torque detection	0 to 400%	0.1%	150%		5-246			
Indication function	866	M042	Torque monitoring reference	0 to 400%	0.1%	150%		5-211		
—	867	M321	AM output filter	0 to 5 s	0.01 s	0.01 s		5-218		
—	868	T010	Terminal 1 function assignment	0, 4, 9999	1	0		5-180, 5-260		
—	869	M334	Current output filter	0 to 5 s	0.01 s	—	0.02 s	5-218		
—	870	M440	Speed detection hysteresis	0 to 5 Hz	0.01 Hz	0 Hz		5-240		
Protective Functions	872 ④	H201	Input phase loss protection selection	0, 1	1	0		5-163		
	874	H730	OLT level setting	0 to 400%	0.1%	120%	110%	5-180		


Tab. 5-2: Parameter overview (by number) (15)

Function	Pr.	Pr. group	Name	Setting range	Minimum setting increments	Initial value		Refer to page	Customer setting
						FM	CA		
Regeneration avoidance function	882	G120	Regeneration avoidance operation selection	0 to 2	1	0		5-560	
	883	G121	Regeneration avoidance operation level	300 to 800 V	0.1V	DC 380 V ^⑦		5-560	
						DC 760 V ^⑧			
	884	G122	Regeneration avoidance at deceleration detection sensitivity	0 to 5	1	0		5-560	
	885	G123	Regeneration avoidance compensation frequency limit value	0 to 590 Hz, 9999	0.01 Hz	6 Hz		5-560	
886	G124	Regeneration avoidance voltage gain	0 to 200%	0.1%	100%		5-560		
Free parameters	888	E420	Free parameter 1	0 to 9999	1	9999		5-80	
	889	E421	Free parameter 2	0 to 9999	1	9999		5-80	
Energy saving monitor	891	M023	Cumulative power monitor digit shifted times	0 to 4, 9999	1	9999		5-198, 5-224	
	892	M200	Load factor	30 to 150%	0.1%	100%		5-224	
	893	M201	Energy saving monitor reference (motor capacity)	0.1 to 55 kW ^②	0.01 kW ^②	Inverter rated capacity		5-224	
				0 to 3600 kW ^③	0.1 kW ^③				
	894	M202	Control selection during commercial power-supply operation	0, 1, 2, 3	1	0		5-224	
	895	M203	Power saving rate reference value	0, 1, 9999	1	9999		5-224	
	896	M204	Power unit cost	0 to 500, 9999	0.01	9999		5-224	
	897	M205	Power saving monitor average time	0,1 to 1000 h, 9999	1 h	9999		5-224	
	898	M206	Power saving cumulative monitor clear	0, 1, 10, 9999	1	9999		5-224	
899	M207	Operation time rate (estimated value)	0 to 100%, 9999	0.1%	9999		5-224		

Tab. 5-2: Parameter overview (by number) (16)

Function	Pr.	Pr. group	Name	Setting range	Minimum setting increments	Initial value		Refer to page	Customer setting
						FM	CA		
Calibration parameters	C0 (900) ⑨	M310	FM/CA terminal calibration	—	—	—		5-218	
	C1 (901) ⑨	M320	AM terminal calibration	—	—	—		5-218	
	C2 (902) ⑨	T200	Terminal 2 frequency setting bias frequency	0 to 590 Hz	0.01 Hz	0 Hz		5-266	
	C3 (902) ⑨	T201	Terminal 2 frequency setting bias	0 to 300%	0.1%	0%		5-266	
	125 (903) ⑨	T202	Terminal 2 frequency setting gain frequency	0 to 590 Hz	0.01 Hz	60 Hz	50 Hz	5-266	
	C4 (903) ⑨	T203	Terminal 2 frequency setting gain	0 to 300%	0.1%	100%		5-266	
	C5 (904) ⑨	T400	Terminal 4 frequency setting bias frequency	0 to 590 Hz	0.01 Hz	0 Hz		5-266	
	C6 (904) ⑨	T401	Terminal 4 frequency setting bias	0 to 300%	0.1%	20%		5-266	
	126 (905) ⑨	T402	Terminal 4 frequency setting gain frequency	0 to 590 Hz	0.01 Hz	60 Hz	50 Hz	5-266	
	C7 (905) ⑨	T403	Terminal 4 frequency setting gain	0 to 300%	0.1%	100%		5-266	
	C12 (917) ⑨	T100	Terminal 1 bias frequency (speed)	0 to 590 Hz	0.01 Hz	0 Hz		5-266	
	C13 (917) ⑨	T101	Terminal 1 bias (speed)	0 to 300%	0.1%	0%		5-266	
	C14 (918) ⑨	T102	Terminal 1 gain frequency (speed)	0 to 590 Hz	0.01 Hz	60 Hz	50 Hz	5-266	
	C15 (918) ⑨	T103	Terminal 1 gain (speed)	0 to 300%	0.1%	100%		5-266	
	C16 (919) ⑨	T110	Terminal 1 bias command (torque)	0 to 400%	0.1%	0%		5-273	

Tab. 5-2: Parameter overview (by number) (17)

Function	Pr.	Pr. group	Name	Setting range	Minimum setting increments	Initial value		Refer to page	Customer setting
						FM	CA		
Calibration parameters	C17 (919) ②	T111	Terminal 1 bias (torque)	0 to 300%	0.1%	0%		5-273	
	C18 (920) ②	T112	Terminal 1 gain command (torque)	0 to 400%	0.1%	150%		5-273	
	C19 (920) ②	T113	Terminal 1 gain (torque)	0 to 300%	0.1%	100%		5-273	
	C8 (930) ②	M330	Current output bias signal	0 to 100%	0.1%	—	0%	5-218	
	C9 (930) ②	M331	Current output bias current	0 to 100%	0.1%	—	0%	5-218	
	C10 (931) ②	M332	Current output gain signal	0 to 100%	0.1%	—	100%	5-218	
	C11 (931) ②	M333	Current output gain current	0 to 100%	0.1%	—	100%	5-218	
	C38 (932) ②	T410	Terminal 4 bias command (torque)	0 to 400%	0.1%	0%		5-273	
	C39 (932) ②	T411	Terminal 4 bias (torque)	0 to 300%	0.1%	20%		5-273	
	C40 (933) ②	T412	Terminal 4 gain command (torque)	0 to 400%	0.1%	150%		5-273	
	C41 (933) ②	T413	Terminal 4 gain (torque)	0 to 300%	0.1%	100%		5-273	
	C42 (934) ②	A630	PID display bias coefficient	0 to 500, 9999	0.01	9999		5-381	
	C43 (934) ②	A631	PID display bias analog value	0 to 300%	0.1%	20%		5-381	
	C44 (935) ②	A632	PID display gain coefficient	0 to 500, 9999	0.01	9999		5-381	
	C45 (935) ②	A633	PID display gain analog value	0 to 300%	0.1%	100%		5-381	
—	977	E302	Input voltage mode selection	0, 1	1	0		5-72	
—	989	E490	Parameter copy alarm release	10 ②	1	10 ②		5-571	
				100 ③		100 ③			
PU	990	E104	PU buzzer control	0, 1	1	1		5-67	
	991	E105	PU contrast adjustment	0 to 63	1	58		5-67	
Monitor function	992	M104	Operation panel setting dial push monitor selection	0 to 3, 5 to 14, 17, 18, 20, 23 to 25, 34, 38, 40 to 45, 50 to 57, 61, 62, 64, 67 to 69, 81 to 96, 98, 100	1	0		5-198	
—	997	H103	Fault initiation	0 to 255, 9999	1	9999		5-162	
—	998	E430	PM parameter initialization 	0, 12, 14, 112, 114, 8009, 8109, 9009, 9109	1	0		5-48	
—	999	E431	Automatic parameter setting 	1, 2, 10, 11, 12, 13, 20, 21, 9999	1	9999		5-80	
—	1000	E108	Parameter for manufacturer setting. Do not set.						
—	1002	C150	Lq tuning target current adjustment coefficient	50 to 150%, 9999	0.1%	9999		5-316	
Clock function	1006	E020	Clock (year)	2000 to 2099	1	2000		5-61	
	1007	E021	Clock (month, day)	1/1 to 12/31	1	101		5-61	
	1008	E022	Clock (hour, minute)	0:00 to 23:59	1	0		5-61	
—	1013 ②	H323	Running speed after emergency drive retry reset	0 to 590 Hz	0.01 Hz	60 Hz	50 Hz	5-167	

Tab. 5-2: Parameter overview (by number) (18)

Function	Pr.	Pr. group	Name	Setting range	Minimum setting increments	Initial value		Refer to page	Customer setting
						FM	CA		
—	1015	A607	Integral stop selection at limited frequency	0, 1, 10, 11	1	0	0	5-353	
—	1016	H021	PTC thermistor protection detection time	0 to 60 s	1 s	0	0	5-150	
—	1018	M045	Monitor with sign selection	0, 9999	1	9999	9999	5-198	
Trace function	1020	A900	Trace operation selection	0 to 4	1	0	0	5-443	
	1021	A901	Trace mode selection	0 to 2	1	0	0	5-443	
	1022	A902	Sampling cycle	0 to 9	1	2	2	5-443	
	1023	A903	Number of analog channels	1 to 8	1	4	4	5-443	
	1024	A904	Sampling auto start	0, 1	1	0	0	5-443	
	1025	A905	Trigger mode selection	0 to 4	1	0	0	5-443	
	1026	A906	Number of sampling before trigger	0 to 100%	1%	90%	90%	5-443	
	1027	A910	Analog source selection (1ch)	1 to 3, 5 to 14, 17, 18, 20, 23, 24, 34, 40 to 42, 52 to 54, 61, 62, 64, 67 to 69, 81 to 96, 98, 201 to 213, 230 to 232, 237, 238	1	201	201	5-443	
	1028	A911	Analog source selection (2ch)			202	202	5-443	
	1029	A912	Analog source selection (3ch)			203	203	5-443	
	1030	A913	Analog source selection (4ch)			204	204	5-443	
	1031	A914	Analog source selection (5ch)			205	205	5-443	
	1032	A915	Analog source selection (6ch)			206	206	5-443	
	1033	A916	Analog source selection (7ch)			207	207	5-443	
	1034	A917	Analog source selection (8ch)			208	208	5-443	
	1035	A918	Analog trigger channel	1 to 8	1	1	1	5-443	
	1036	A919	Analog trigger operation selection	0, 1	1	0	0	5-443	
	1037	A920	Analog trigger level	600 to 1400	1	1000	1000	5-443	
	1038	A930	Digital source selection (1ch)	1 to 255	1	1	1	5-443	
	1039	A931	Digital source selection (2ch)			2	2	5-443	
	1040	A932	Digital source selection (3ch)			3	3	5-443	
	1041	A933	Digital source selection (4ch)			4	4	5-443	
	1042	A934	Digital source selection (5ch)			5	5	5-443	
1043	A935	Digital source selection (6ch)	6			6	5-443		
1044	A936	Digital source selection (7ch)	7			7	5-443		
1045	A937	Digital source selection (8ch)	8			8	5-443		
1046	A938	Digital trigger channel	1 to 8	1	1	1	5-443		
1047	A939	Digital trigger operation selection	0, 1	1	0	0	5-443		
—	1048	E106	Display-off waiting time	0 to 60 min	1 min	0	0	5-68	
—	1049	E110	USB host reset	0, 1	1	0	0	6-15	
Monitor function	1106	M050	Torque monitor filter	0 to 5 s, 9999	0.01 s	9999	9999	5-198	
	1107	M051	Running speed monitor filter	0 to 5 s, 9999	0.01 s	9999	9999	5-198	
	1108	M052	Excitation current monitor filter	0 to 5 s, 9999	0.01 s	9999	9999	5-198	
Ethernet communication	1124 ^④	N681	Station number in inverter-to-inverter link	0 to 5, 9999	1	9999	9999	5-635	
	1125 ^④	N682	Number of inverters in inverter-to-inverter link system	2 to 6	1	2	2	5-635	

Tab. 5-2: Parameter overview (by number) (19)

Function	Pr.	Pr. group	Name	Setting range	Minimum setting increments	Initial value		Refer to page	Customer setting
						FM	CA		
PID control	1132	A626	Pre-charge change increment amount	0 to 100%, 9999	0.01%	9999		5-385	
	1133	A666	Second pre-charge change increment amount	0 to 100%, 9999	0.01%	9999		5-385	
	1136	A670	Second PID display bias coefficient	0 to 500, 9999	0.01	9999		5-381	
	1137	A671	Second PID display bias analog value	0 to 300%	0.1%	20%		5-381	
	1138	A672	Second PID display gain coefficient	0 to 500, 9999	0.01	9999		5-381	
	1139	A673	Second PID display gain analog value	0 to 300%	0.1%	100%		5-381	
	1140	A664	Second PID set point/deviation input selection	1 to 5	1	2		5-353	
	1141	A665	Second PID measured value input selection	1 to 5, 101 to 105	1	3		5-353	
	1142	A640	Second PID unit selection	0 to 43, 9999	1	9999		5-353	
	1143	A641	Second PID upper limit	0 to 100%, 9999	0.1%	9999		5-353	
	1144	A642	Second PID lower limit	0 to 100%, 9999	0.1%	9999		5-353	
	1145	A643	Second PID deviation limit	0 to 100%, 9999	0.1%	9999		5-353	
	1146	A644	Second PID signal operation selection	0 to 3, 10 to 13	1	0		5-353	
	1147	A661	Second output interruption detection time	0 to 3600 s, 9999	0.1 s	1		5-353	
	1148	A662	Second output interruption detection level	0 to 590 Hz	0.01 Hz	0 Hz		5-353	
1149	A663	Second output interruption cancel level	900 to 1100%	0.1%	1000%		5-353		
PLC function	1150 to 1199	A810 to A859	PLC function user parameters 1 to 50	0 to 65535	1	0		5-439	
PID gain tuning	1211	A690	PID gain tuning timeout time	1 to 9999 s	1 s	100 s		5-373	
	1212	A691	Step manipulated amount	900 to 1100%	0.1%	1000%		5-373	
	1213	A692	Step response sampling cycle	0.01 to 600 s	0.01 s	1 s		5-373	
	1214	A693	Timeout time after the maximum slope	1 to 9999 s	1 s	10 s		5-373	
	1215	A694	Limit cycle output upper limit	900 to 1100%	0.1%	1100%		5-373	
	1216	A695	Limit cycle output lower limit	900 to 1100%	0.1%	1000%		5-373	
	1217	A696	Limit cycle hysteresis	0.1 to 10%	0.1%	1%		5-373	
	1218	A697	PID gain tuning setting	0, 100 to 102, 111, 112, 121, 122, 200 to 202, 211, 212, 221, 222	1	0		5-373	
1219	A698	PID gain tuning start/status	(0), 1, 8, (9, 90 to 96)	1	0		5-373		
—	1300 to 1343, 1350 to 1359	N500 to N543, N550 to N559	Communication option parameters. For details, refer to the Instruction Manual of the option.						
PID control enhanced functions	1361	A440	Detection time for PID output hold	0 to 900 s	0.1 s	5 s		5-404	
	1362	A441	PID output hold range	0 to 50%, 9999	0.1%	9999		5-404	
	1363	A447	PID Priming time	0 to 360 s, 9999	0.1 s	9999		5-404	
	1364	A448	Stirring time during sleep	0 to 3600 s	0.1 s	15 s		5-404	
	1365	A449	Stirring interval time	0 to 1000 h	0.1 h	0 h		5-404	
	1366	A627	Sleep boost level	0 to 100%, 9999	0.01%	9999		5-404	

Tab. 5-2: Parameter overview (by number) (20)

Function	Pr.	Pr. group	Name	Setting range	Minimum setting increments	Initial value		Refer to page	Customer setting
						FM	CA		
PID control enhanced functions	1367	A628	Sleep boost waiting time	0 to 360 s	0.1 s	0 s	0 s	5-404	
	1368	A629	Output interruption cancel time	0 to 360 s	0.1 s	0 s	0 s	5-404	
	1369	A446	Check valve closing completion frequency	0 to 120 Hz, 9999	0.01 Hz	9999	9999	5-404	
	1370	A442	Detection time for PID limiting operation	0 to 900 s	0.1 s	0 s	0 s	5-404	
	1371	A443	PID upper/lower limit prewarning level range	0 to 50%, 9999	0.1 s	9999	9999	5-404	
	1372	A444	PID measured value control set point change amount	0 to 50%	0.01%	5%	5%	5-404	
	1373	A445	PID measured value control set point change rate	0 to 100%	0.01%	0%	0%	5-404	
	1374	A450	Auxiliary pressure pump operation starting level	900 to 1100%	0.1%	1000%	1000%	5-404	
	1375	A451	Auxiliary pressure pump operation stopping level	900 to 1100%	0.1%	1000%	1000%	5-404	
	1376	A414	Auxiliary motor stopping level	0 to 100%, 9999	0.1%	9999	9999	5-404	
	1377	A452	PID input pressure selection	1, 2, 3, 9999	1	9999	9999	5-404	
	1378	A453	PID input pressure warning level	0 to 100%	0.1%	20%	20%	5-404	
	1379	A454	PID input pressure fault level	0 to 100%, 9999	0.1%	9999	9999	5-404	
	1380	A455	PID input pressure warning set point change amount	0 to 100%	0.01%	5%	5%	5-404	
	1381	A456	PID input pressure fault operation selection	0, 1	1	0	0	5-404	
Ethernet communication	1424 ^⑭	N650	Ethernet communication network number	1 to 239	1	1	1	5-522	
	1425 ^⑭	N651	Ethernet communication station number	1 to 120	1	1	1	5-522	
	1426 ^⑭	N641	Link speed and duplex mode selection	0 to 4	1	0	0	5-522	
	1427 ^⑭	N630	Ethernet function selection 1	502, 5000 to 5002, 5006 to 5008, 5010 to 5013, 9999, 45237, 61450	1	5001	5001	5-522	
	1428 ^⑭	N631	Ethernet function selection 2	502, 5000 to 5002, 5006 to 5008, 5010 to 5013, 9999, 45237, 61450	1	45237	45237	5-522	
	1429 ^⑭	N632	Ethernet function selection 3	502, 5000 to 5002, 5006 to 5008, 5010 to 5013, 9999, 45237, 61450	1	9999	9999	5-522	
	1431 ^⑭	N643	Ethernet signal loss detection function selection	0 to 3	1	0	0	5-522	
	1432 ^⑭	N644	Ethernet communication check time interval	0 to 999.8 s, 9999	0.1 s	9999	9999	5-522	
	1434 ^⑭	N600	Ethernet IP address 1	0 to 255	1	192	192	5-522	
	1435 ^⑭	N601	Ethernet IP address 2	0 to 255	1	168	168	5-522	
	1436 ^⑭	N602	Ethernet IP address 3	0 to 255	1	50	50	5-522	
	1437 ^⑭	N603	Ethernet IP address 4	0 to 255	1	1	1	5-522	
	1438 ^⑭	N610	Subnet mask 1	0 to 255	1	255	255	5-522	
	1439 ^⑭	N611	Subnet mask 2	0 to 255	1	255	255	5-522	
	1440 ^⑭	N612	Subnet mask 3	0 to 255	1	255	255	5-522	
1441 ^⑭	N613	Subnet mask 4	0 to 255	1	0	0	5-522		

Tab. 5-2: Parameter overview (by number) (21)

Function	Pr.	Pr. group	Name	Setting range	Minimum setting increments	Initial value		Refer to page	Customer setting
						FM	CA		
Ethernet communication	1442 ⁽¹⁴⁾	N660	Ethernet IP filter address 1	0 to 255	1	0	0	5-522	
	1443 ⁽¹⁴⁾	N661	Ethernet IP filter address 2	0 to 255	1	0	0	5-522	
	1444 ⁽¹⁴⁾	N662	Ethernet IP filter address 3	0 to 255	1	0	0	5-522	
	1445 ⁽¹⁴⁾	N663	Ethernet IP filter address 4	0 to 255	1	0	0	5-522	
	1446 ⁽¹⁴⁾	N664	Ethernet IP filter address 2 range specification	0 to 255, 9999	1	9999	9999	5-522	
	1447 ⁽¹⁴⁾	N665	Ethernet IP filter address 3 range specification	0 to 255, 9999	1	9999	9999	5-522	
	1448 ⁽¹⁴⁾	N666	Ethernet IP filter address 4 range specification	0 to 255, 9999	1	9999	9999	5-522	
	1449 ⁽¹⁴⁾	N670	Ethernet command source selection IP address 1	0 to 255	1	0	0	5-522	
	1450 ⁽¹⁴⁾	N671	Ethernet command source selection IP address 2	0 to 255	1	0	0	5-522	
	1451 ⁽¹⁴⁾	N672	Ethernet command source selection IP address 3	0 to 255	1	0	0	5-522	
	1452 ⁽¹⁴⁾	N673	Ethernet command source selection IP address 4	0 to 255	1	0	0	5-522	
	1453 ⁽¹⁴⁾	N674	Ethernet command source selection IP address 3 range specification	0 to 255, 9999	1	0	0	5-522	
	1454 ⁽¹⁴⁾	N675	Ethernet command source selection IP address 4 range specification	0 to 255, 9999	1	0	0	5-522	
	1455 ⁽¹⁴⁾	N642	Keepalive time	1 to 7200 s	1 s	3600 s	3600 s	5-522	
PID gain tuning	1460	A683	PID multistage set point 1	0 to 100%, 9999	0.01%	9999	9999	5-373	
	1461	A684	PID multistage set point 2	0 to 100%, 9999	0.01%	9999	9999	5-373	
	1462	A685	PID multistage set point 3	0 to 100%, 9999	0.01%	9999	9999	5-373	
	1463	A686	PID multistage set point 4	0 to 100%, 9999	0.01%	9999	9999	5-373	
	1464	A687	PID multistage set point 5	0 to 100%, 9999	0.01%	9999	9999	5-373	
	1465	A688	PID multistage set point 6	0 to 100%, 9999	0.01%	9999	9999	5-373	
	1466	A689	PID multistage set point 7	0 to 100%, 9999	0.01%	9999	9999	5-373	
Cleaning	1469	A420	Number of cleaning times monitor	0 to 255	1	0	0	5-348	
	1470	A421	Number of cleaning times setting	0 to 255	1	0	0	5-348	
	1471	A422	Cleaning trigger selection	0 to 15	1	0	0	5-348	
	1472	A423	Cleaning reverse rotation frequency	0 to 590 Hz	0.01 Hz	30 Hz	30 Hz	5-348	
	1473	A424	Cleaning reverse rotation operation time	0 to 3600 s	0.1 s	5 s	5 s	5-348	
	1474	A425	Cleaning forward rotation frequency	0 to 590 Hz, 9999	0.01 Hz	9999	9999	5-348	
	1475	A426	Cleaning forward rotation operation time	0 to 3600 s, 9999	0.1 s	9999	9999	5-348	
	1476	A427	Cleaning stop time	0 to 3600 s	0.1 s	5 s	5 s	5-348	
	1477	A428	Cleaning acceleration time	0 to 3600 s, 9999	0.1 s	9999	9999	5-348	
	1478	A429	Cleaning deceleration time	0 to 3600 s, 9999	0.1 s	9999	9999	5-348	
	1479	A430	Cleaning time trigger	0 to 6000 h	0.1 h	0	0	5-348	

Tab. 5-2: Parameter overview (by number) (22)

Function	Pr.	Pr. group	Name	Setting range	Minimum setting increments	Initial value		Refer to page	Customer setting	
						FM	CA			
Load characteristics fault detection	1480	H520	Load characteristics measurement mode	0, 1, (2 to 5, 81 to 85)	1	0		5-189		
	1481	H521	Load characteristics load reference 1	0 to 400%, 8888, 9999	0.1%	9999		5-189		
	1482	H522	Load characteristics load reference 2	0 to 400%, 8888, 9999	0.1%	9999		5-189		
	1483	H523	Load characteristics load reference 3	0 to 400%, 8888, 9999	0.1%	9999		5-189		
	1484	H524	Load characteristics load reference 4	0 to 400%, 8888, 9999	0.1%	9999		5-189		
	1485	H525	Load characteristics load reference 5	0 to 400%, 8888, 9999	0.1%	9999		5-189		
	1486	H526	Load characteristics maximum frequency	0 to 590 Hz	0.01 Hz	60 Hz	50 Hz	5-189		
	1487	H527	Load characteristics minimum frequency	0 to 590 Hz	0.01 Hz	6 Hz		5-189		
	1488	H531	Upper limit warning detection width	0 to 400%, 9999	0.1%	20%		5-189		
	1489	H532	Lower limit warning detection width	0 to 400%, 9999	0.1%	20%		5-189		
	1490	H533	Upper limit fault detection width	0 to 400%, 9999	0.1%	9999		5-189		
	1491	H534	Lower limit fault detection width	0 to 400%, 9999	0.1%	9999		5-189		
	1492	H535	Load status detection signal delay time / load reference measurement waiting time	0 to 60 s	0.1 s	1 s		5-189		
Clear parameters	Pr.CLR		Parameter clear	(0), 1	1	0		5-568		
	ALL.CL		All parameter clear	(0), 1	1	0		5-568		
	Err.CL		Fault history clear	(0), 1	1	0		6-3		
	—	Pr.CPY		Parameter copy	(0), 1 to 3	1	0		5-570	
	—	Pr.CHG		Initial value change list	—	1	0		5-577	
	—	IPM		IPM initialization	0, 12, 14	1	0		5-48	
	—	AUTO		Automatic parameter setting	—	—	—		5-80	
—	Pr.MD		Group parameter setting	(0), 1, 2	1	0		5-26		

Tab. 5-2: Parameter overview (by number) (23)

- ① Differs according to capacities.
6%: FR-F820-00046(0.75K), FR-F840-00023(0.75K)
4%: FR-F820-00077(1.5K) to FR-F820-00167(3.7K), FR-F840-00038(1.5K) to FR-F840-00083(3.7K)
3%: FR-F820-00250(5.5K), FR-F820-00340(7.5K), FR-F840-00126(5.5K), FR-F840-00170(7.5K)
2%: FR-F820-00490(11K) to FR-F820-01540(37K), FR-F840-00250(11K) to FR-F840-00770(37K)
1.5%: FR-F820-01870(45K), FR-F820-02330(55K), FR-F840-00930(45K), FR-F840-01160(55K)
1%: FR-F820-03160(75K) or higher, FR-F840-01800(75K) or higher
- ② The setting range or initial value for the FR-F820-02330(55K) or lower and FR-F840-01160(55K) or lower.
- ③ The setting range or initial value for the FR-F820-03160(75K) or higher and FR-F840-01800(75K) or higher.
- ④ The initial value for the FR-F820-00340(7.5K) or lower and FR-F840-00170(7.5K) or lower.
- ⑤ The initial value for the FR-F820-00490(11K) or higher and FR-F840-00250(11K) or higher.
- ⑥ Differs according to capacities.
4%: FR-F820-00340(7.5K) or lower, FR-F840-00170(7.5K) or lower
2%: FR-F820-00490(11K) to FR-F820-02330(55K), FR-F840-00250(11K) to FR-F840-01160(55K)
1%: FR-F820-03160(75K) or higher, FR-F840-01800(75K) or higher
- ⑦ The value for the 200 V class.
- ⑧ The value for the 400 V class.
- ⑨ The parameter number in parentheses is the one for use with the LCD operation panel and the parameter unit.
- ⑩ The setting range or initial value for the standard model.
- ⑪ The setting range or initial value for the separated converter type.
- ⑫ The setting is available for the standard model only.
- ⑬ The setting is available only with the 400 V class.
- ⑭ The setting is available for the FR-F800-E only or when a compatible plug-in option is installed.
- ⑮ The setting is available only when a communication option is installed.

5.1.2 Group parameter display






Parameter numbers can be changed to grouped parameter numbers.

Parameters are grouped by their functions. The related parameters can be set easily.

Changing to the grouped parameter numbers

Pr.MD setting value	Description
0	Default parameter display method
1	Parameter display by parameter number
2	Parameter display by function group

Tab. 5-3: Changing to the grouped parameter numbers










Operation	
①	Screen at power-ON The monitor display appears.
②	Parameter setting mode Press  to choose the parameter setting mode. (The parameter number read previously appears.)
③	Selecting the parameter number Turn  until "Pr.MD" (parameter display method) appears. Press  . "0" (initial value) appears.
④	Changing to the group parameter display Turn  to change the set value to "2" (group parameter display). Press  to select the group parameter setting. "2" and "Pr.MD" flicker alternately after the setting is completed.

Tab. 5-4: Display parameters grouped by function

Changing parameter settings in the group parameter display

Example ▾

Changing example:
Change the P.H400 (Pr. 1) "Maximum frequency".

Operation	
①	Screen at power-ON The monitor display appears.
②	Changing the operation mode Press  to choose the PU operation mode. [PU] indicator is lit.
③	Parameter setting mode Press  to choose the parameter setting mode. (The parameter number read previously appears.)
④	Parameter group selection Press  several times until "P.H□ . ." appears. Parameter groups can now be selected.
⑤	Parameter group selection Turn  until "P.H4 . ." (protective function parameter 4) appears. Press  to display "P.H4-- --" and make the group parameters of the protective function parameter 4 selectable.
⑥	Parameter selection Turn  until "P.H400" (P.H400 "Maximum frequency") appears. Press  to read the present set value. " 12000 " (initial value) appears.
⑦	Changing the setting value Turn  to change the set value to "6000". Press  to enter the setting. "6000" and "P.H400" flicker alternately after the setting is completed.

Tab. 5-5: Changing the parameter setting

5.1.3 Parameter list (by function group)

(E) Environment setting parameters

Parameters that set the inverter operation characteristics.

Pr. group	Pr.	Name	Refer to page
E000	168	Parameter for manufacturer setting. Do not set.	
E001	169	Parameter for manufacturer setting. Do not set.	
E020	1006	Clock (year)	5-61
E021	1007	Clock (month, day)	5-61
E022	1008	Clock (hour, minute)	5-61
E023	269	Parameter for manufacturer setting. Do not set.	
E080	168	Parameter for manufacturer setting. Do not set.	
E081	169	Parameter for manufacturer setting. Do not set.	
E100	75	Reset selection	5-63
E101	75	Disconnected PU detection	5-63
E102	75	PU stop selection	5-63
E103	145	PU display language selection	5-67
E104	990	PU buzzer control	5-67
E105	991	PU contrast adjustment	5-67
E106	1048	Display-off waiting time	5-68
E107	75	Reset limit	5-63
E108	1000	Parameter for manufacturer setting. Do not set.	
E110	1049	USB host reset	6-15
E200	161	Frequency setting/key lock operation selection	5-69
E201	295	Frequency change increment amount setting	5-70
E300	30	Regenerative function selection	5-552
E301	570	Multiple rating setting	5-71
E302	977	Input voltage mode selection	5-72
E400	77	Parameter write selection	5-72
E410	296	Password lock level	5-76
E411	297	Password lock/unlock	5-76
E420	888	Free parameter 1	5-80
E421	889	Free parameter 2	5-80
E430	998	PM parameter initialization <i>Simple</i>	5-48
E431	999	Automatic parameter setting <i>Simple</i>	5-80
E440	160	User group read selection <i>Simple</i>	5-85
E441	172	User group registered display/batch clear	5-85
E442	173	User group registration	5-85
E443	174	User group clear	5-85
E490	989	Parameter copy alarm release	5-571
E600	72	PWM frequency selection	5-88
E601	240	Soft-PWM operation selection	5-88

Tab. 5-6: Environment setting parameters (1)

Pr. group	Pr.	Name	Refer to page
E602	260	PWM frequency automatic switchover	5-88
E700	255	Life alarm status display	5-91
E701	256 ^②	Inrush current limit circuit life display	5-91
E702	257	Control circuit capacitor life display	5-91
E703	258 ^②	Main circuit capacitor life display	5-91
E704	259 ^②	Main circuit capacitor life measuring	5-91
E710	503	Maintenance timer 1	5-95
E711	504	Maintenance timer 1 warning output set time	5-95
E712	686	Maintenance timer 2	5-95
E713	687	Maintenance timer 2 warning output set time	5-95
E714	688	Maintenance timer 3	5-95
E715	689	Maintenance timer 3 warning output set time	5-95
E720	555	Current average time	5-97
E721	556	Data output mask time	5-97
E722	557	Current average value monitor signal output reference current	5-97

Tab. 5-6: Environment setting parameters (2)

(F) Setting of acceleration/deceleration time and acceleration/deceleration pattern

Parameters that set the motor acceleration/deceleration characteristics.

Pr. group	Pr.	Name	Refer to page
F000	20	Acceleration/deceleration reference frequency	5-102
F001	21	Acceleration/deceleration time increments	5-102
F002	16	Jog acceleration/deceleration time	5-144
F003	611	Acceleration time at a restart	5-415, 5-423
F010	7	Acceleration time Simple	5-102
F011	8	Deceleration time Simple	5-102
F020	44	Second acceleration/deceleration time	5-102
F021	45	Second deceleration time	5-102
F022	147	Acceleration/deceleration time switching frequency	5-102
F031	111	Check valve deceleration time	5-404
F070	791	Acceleration time in low-speed range	5-102
F071	792	Deceleration time in low-speed range	5-102
F100	29	Acceleration/deceleration pattern selection	5-107
F101	59	Remote function selection	5-111
F102	13	Starting frequency	5-115, 5-117
F103	571	Holding time at a start	5-115
F200	140	Backlash acceleration stopping frequency	5-107
F201	141	Backlash acceleration stopping time	5-107
F202	142	Backlash deceleration stopping frequency	5-107
F203	143	Backlash deceleration stopping time	5-107

Tab. 5-7: Setting of acceleration/deceleration time and acceleration/deceleration pattern

(D) Operation command and frequency command

Parameters that specify the inverter's command source, and parameters that set the motor driving frequency and torque.

Pr. group	Pr.	Name	Refer to page
D000	79	Operation mode selection Simple	5-119, 5-128
D001	340	Communication startup mode selection	5-128
D010	338	Communication operation command source	5-130
D011	339	Communication speed command source	5-130
D012	550	NET mode operation command source selection	5-130
D013	551	PU mode operation command source selection	5-130
D020	78	Reverse rotation prevention selection	5-139
D100	291	Pulse train I/O selection	5-140, 5-211
D101	384	Input pulse division scaling factor	5-140
D110	385	Frequency for zero input pulse	5-140
D111	386	Frequency for maximum input pulse	5-140
D200	15	Jog frequency	5-144
D300	28	Multi-speed input compensation selection	5-146
D301	4	Multi-speed setting (high speed) Simple	5-146
D302	5	Multi-speed setting (middle speed) Simple	5-146
D303	6	Multi-speed setting (low speed) Simple	5-146
D304 to D307	24 to 27	Multi-speed setting (4 speed to 7 speed)	5-146
D308 to D315	232 to 239	Multi-speed setting (8 speed to 15 speed)	5-146

Tab. 5-8: Operation command and frequency command

(H) Protective function parameter

Parameters to protect the motor and the inverter.

Pr. group	Pr.	Name	Refer to page
H000	9	Electronic thermal O/L relay <i>Simple</i>	5-150, 5-303, 5-316
H001	600	First free thermal reduction frequency 1	5-150
H002	601	First free thermal reduction ratio 1	5-150
H003	602	First free thermal reduction frequency 2	5-150
H004	603	First free thermal reduction ratio 2	5-150
H005	604	First free thermal reduction frequency 3	5-150
H006	607	Motor permissible load level	5-150
H010	51	Second electronic thermal O/L relay	5-150, 5-303, 5-316
H011	692	Second free thermal reduction frequency 1	5-150
H012	693	Second free thermal reduction ratio 1	5-150
H013	694	Second free thermal reduction frequency 2	5-150
H014	695	Second free thermal reduction ratio 2	5-150
H015	696	Second free thermal reduction frequency 3	5-150
H016	608	Second motor permissible load level	5-150
H020	561	PTC thermistor protection level	5-150
H021	1016	PTC thermistor protection detection time	5-150
H100	244	Cooling fan operation selection	5-160
H101	249	Earth (ground) fault detection at start	5-293
H102	598 [Ⓢ]	Undervoltage level	5-161
H103	997	Fault initiation	5-162
H200	251	Output phase loss protection selection	5-163
H201	872 [Ⓢ]	Input phase loss protection selection	5-163
H300	65	Retry selection	5-164
H301	67	Number of retries at fault occurrence	5-164
H302	68	Retry waiting time	5-164
H303	69	Retry count display erase	5-164
H320	523 [Ⓢ]	Emergency drive mode selection	5-167
H321	524 [Ⓢ]	Emergency drive running speed	5-167
H322	515 [Ⓢ]	Emergency drive dedicated retry count	5-167
H323	1013 [Ⓢ]	Running speed after emergency drive retry reset	5-167
H324	514 [Ⓢ]	Emergency drive dedicated retry waiting time	5-167
H400	1	Maximum frequency <i>Simple</i>	5-176

Tab. 5-9: Protective function parameter (1)

Pr. group	Pr.	Name	Refer to page
H401	2	Minimum frequency <i>Simple</i>	5-176
H402	18	High speed maximum frequency	5-176
H420	31	Frequency jump 1A	5-178
H421	32	Frequency jump 1B	5-178
H422	33	Frequency jump 2A	5-178
H423	34	Frequency jump 2B	5-178
H424	35	Frequency jump 3A	5-178
H425	36	Frequency jump 3B	5-178
H429	552	Frequency jump range	5-178
H500	22	Stall prevention operation level	5-180
H501	156	Stall prevention operation selection	5-180
H520	1480	Load characteristics measurement mode	5-189
H521	1481	Load characteristics load reference 1	5-189
H522	1482	Load characteristics load reference 2	5-189
H523	1483	Load characteristics load reference 3	5-189
H524	1484	Load characteristics load reference 4	5-189
H525	1485	Load characteristics load reference 5	5-189
H526	1486	Load characteristics maximum frequency	5-189
H527	1487	Load characteristics minimum frequency	5-189
H531	1488	Upper limit warning detection width	5-189
H532	1489	Lower limit warning detection width	5-189
H533	1490	Upper limit fault detection width	5-189
H534	1491	Lower limit fault detection width	5-189
H535	1492	Load status detection signal delay time / load reference measurement waiting time	5-189
H600	48	Second stall prevention operation level	5-180
H601	49	Second stall prevention operation frequency	5-180
H610	23	Stall prevention operation level compensation factor at double speed	5-180
H611	66	Stall prevention operation reduction starting frequency	5-180
H620	148	Stall prevention level at 0 V input	5-180
H621	149	Stall prevention level at 10 V input	5-180
H631	154	Voltage reduction selection during stall prevention operation	5-180
H730	874	OLT level setting	5-180
H800	374	Overspeed detection level	5-194

Tab. 5-9: Protective function parameter (2)

(M) Monitor display and monitor output signal

Parameters regarding the inverter's operating status. These parameters are used to set the monitors and output signals.

Pr. group	Pr.	Name	Refer to page
M000	37	Speed display	5-196
M001	505	Speed setting reference	5-196
M002	144	Speed setting switchover	5-196
M020	170	Watt-hour meter clear	5-198
M021	563	Energization time carrying-over times	5-198
M022	268	Monitor decimal digits selection	5-198
M023	891	Cumulative power monitor digit shifted times	5-198, 5-224
M030	171	Operation hour meter clear	5-198
M031	564	Operating time carrying-over times	5-198
M040	55	Frequency monitoring reference	5-211
M041	56	Current monitoring reference	5-211
M042	866	Torque monitoring reference	5-211
M043	241	Analog input display unit switchover	5-266
M044	290	Monitor negative output selection	5-198, 5-211
M045	1018	Monitor with sign selection	5-198
M050	1106	Torque monitor filter	5-198
M051	1107	Running speed monitor filter	5-198
M052	1108	Excitation current monitor filter	5-198
M060	663	Control circuit temperature signal output level	5-254
M100	52	Operation panel main monitor selection	5-198
M101	774	Operation panel monitor selection 1	5-198
M102	775	Operation panel monitor selection 2	5-198
M103	776	Operation panel monitor selection 3	5-198
M104	992	Operation panel setting dial push monitor selection	5-198
M200	892	Load factor	5-224
M201	893	Energy saving monitor reference (motor capacity)	5-224
M202	894	Control selection during commercial power-supply operation	5-224
M203	895	Power saving rate reference value	5-224
M204	896	Power unit cost	5-224
M205	897	Power saving monitor average time	5-224
M206	898	Power saving cumulative monitor clear	5-224
M207	899	Operation time rate (estimated value)	5-224
M300	54	FM/CA terminal function selection	5-211
M301	158	AM terminal function selection	5-211
M310	C0 (900) ①	FM/CA terminal calibration	5-218

Tab. 5-10: Monitor display and monitor output signal (1)

Pr. group	Pr.	Name	Refer to page
M320	C1 (901) ①	AM terminal calibration	5-218
M321	867	AM output filter	5-218
M330	C8 (930) ①	Current output bias signal	5-218
M331	C9 (930) ①	Current output bias current	5-218
M332	C10 (931) ①	Current output gain signal	5-218
M333	C11 (931) ①	Current output gain current	5-218
M334	869	Current output filter	5-218
M400	190	RUN terminal function selection	5-231
M401	191	SU terminal function selection	5-231
M402	192	IPF terminal function selection	5-231
M403	193	OL terminal function selection	5-231
M404	194	FU terminal function selection	5-231
M405	195	ABC1 terminal function selection	5-231
M406	196	ABC2 terminal function selection	5-231
M410	313 ④	DO0 output selection	5-231
M411	314 ④	DO1 output selection	5-231
M412	315 ④	DO2 output selection	5-231
M430	157	OL signal output timer	5-180
M431	289	Inverter output terminal filter	5-231
M433	166	Output current detection signal retention time	5-244
M440	870	Speed detection hysteresis	5-240
M441	41	Up-to-frequency sensitivity	5-240
M442	42	Output frequency detection	5-240
M443	43	Output frequency detection for reverse rotation	5-240
M444	50	Second output frequency detection	5-240
M460	150	Output current detection level	5-244
M461	151	Output current detection signal delay time	5-244
M462	152	Zero current detection level	5-244
M463	153	Zero current detection time	5-244
M464	167	Output current detection operation selection	5-244
M470	864	Torque detection	5-246
M500	495	Remote output selection	5-247
M501	496	Remote output data 1	5-247
M502	497	Remote output data 2	5-247
M510	76	Fault code output selection	5-252
M520	799	Pulse increment setting for output power	5-253
M530	655	Analog remote output selection	5-249
M531	656	Analog remote output 1	5-249
M532	657	Analog remote output 2	5-249
M533	658	Analog remote output 3	5-249
M534	659	Analog remote output 4	5-249

Tab. 5-10: Monitor display and monitor output signal (2)

(T) Multi-function input terminal parameters

Parameters for the input terminals where inverter commands are received through.

Pr. group	Pr.	Name	Refer to page
T000	73	Analog input selection	5-255, 5-261
T001	267	Terminal 4 input selection	5-255
T002	74	Input filter time constant	5-264
T003	822	Speed setting filter 1	5-264
T005	832	Speed setting filter 2	5-264
T007	849	Analog input offset adjustment	5-264
T010	868	Terminal 1 function assignment	5-180, 5-260
T021	242	Terminal 1 added compensation amount (terminal 2)	5-261
T022	125	Terminal 2 frequency setting gain frequency Simple	5-266
T040	858	Terminal 4 function assignment	5-180, 5-260
T041	243	Terminal 1 added compensation amount (terminal 4)	5-261
T042	126	Terminal 4 frequency setting gain frequency Simple	5-266
T050	252	Override bias	5-261
T051	253	Override gain	5-261
T052	573	4 mA input check selection	5-280
T053	777	4 mA input check operation frequency	5-280
T054	778	4 mA input check filter	5-280
T100	C12 (917) ①	Terminal 1 bias frequency (speed)	5-266
T101	C13 (917) ①	Terminal 1 bias (speed)	5-266
T102	C14 (918) ①	Terminal 1 gain frequency (speed)	5-266
T103	C15 (918) ①	Terminal 1 gain (speed)	5-266
T110	C16 (919) ①	Terminal 1 bias command (torque)	5-273
T111	C17 (919) ①	Terminal 1 bias (torque)	5-273
T112	C18 (920) ①	Terminal 1 gain command (torque)	5-273
T113	C19 (920) ①	Terminal 1 gain (torque)	5-273
T200	C2 (902) ①	Terminal 2 frequency setting bias frequency	5-266
T201	C3 (902) ①	Terminal 2 frequency setting bias	5-266
T202	125 (903) ①	Terminal 2 frequency setting gain frequency	5-266

Tab. 5-11: Multi-function input terminal parameters (1)

Pr. group	Pr.	Name	Refer to page
T203	C4 (903) ①	Terminal 2 frequency setting gain	5-266
T400	C5 (904) ①	Terminal 4 frequency setting bias frequency	5-266
T401	C6 (904) ①	Terminal 4 frequency setting bias	5-266
T402	126 (905) ①	Terminal 4 frequency setting gain frequency	5-266
T403	C7 (905) ①	Terminal 4 frequency setting gain	5-266
T410	C38 (932) ①	Terminal 4 bias command (torque)	5-273
T411	C39 (932) ①	Terminal 4 bias (torque)	5-273
T412	C40 (933) ①	Terminal 4 gain command (torque)	5-273
T413	C41 (933) ①	Terminal 4 gain (torque)	5-273
T700	178	STF terminal function selection	5-285
T701	179	STR terminal function selection	5-285
T702	180	RL terminal function selection	5-285
T703	181	RM terminal function selection	5-285
T704	182	RH terminal function selection	5-285
T705	183	RT terminal function selection	5-285
T706	184	AU terminal function selection	5-285
T707	185	JOG terminal function selection	5-285
T708	186	CS terminal function selection	5-285
T709	187	MRS terminal function selection	5-285
T710	188	STOP terminal function selection	5-285
T711	189	RES terminal function selection	5-285
T720	17	MRS input selection	5-289
T721	599	X10 terminal input selection	5-552
T722	606	Power failure stop external signal input selection	5-432
T730	155	RT signal function validity condition selection	5-291
T740	699	Input terminal filter	5-285

Tab. 5-11: Multi-function input terminal parameters (2)

(C) Motor constant parameters

Parameters for the applied motor setting.

Pr. group	Pr.	Name	Refer to page
C000	684	Tuning data unit switchover	5-327, 5-316
C100	71	Applied motor	5-297, 5-303, 5-316
C101	80	Motor capacity	5-41, 5-303, 5-316
C102	81	Number of motor poles	5-41, 5-303, 5-316
C103	9	Rated motor current <i>Simple</i>	5-150, 5-45, 5-316
C104	83	Rated motor voltage	5-41, 5-303, 5-316
C105	84	Rated motor frequency	5-41, 5-303, 5-316
C106	702	Maximum motor frequency	5-316
C107	707	Motor inertia (integer)	5-316
C108	724	Motor inertia (exponent)	5-316
C110	96	Auto tuning setting/status	5-303, 5-316, 5-426
C111	95	Online auto tuning selection	5-327
C120	90	Motor constant (R1)	5-303, 5-316, 5-426
C121	91	Motor constant (R2)	5-303
C122	92	Motor constant (L1)/ d-axis inductance (Ld)	5-303, 5-316
C123	93	Motor constant (L2)/ q-axis inductance (Lq)	5-303, 5-316
C124	94	Motor constant (X)	5-303
C125	82	Motor excitation current	5-146
C126	859	Torque current/ Rated PM motor current	5-303, 5-316
C130	706	Induced voltage constant (phi f)	5-316
C131	711	Motor Ld decay ratio	5-316
C132	712	Motor Lq decay ratio	5-316
C133	725	Motor protection current level	5-316
C150	1002	Lq tuning target current adjustment coefficient	5-316
C182	717	Starting resistance tuning compensation	5-316
C185	721	Starting magnetic pole position detection pulse width	5-316
C200	450	Second applied motor	5-297
C201	453	Second motor capacity	5-303, 5-316
C202	454	Number of second motor poles	5-303, 5-316

Tab. 5-12: Motor constant parameters (1)

Pr. group	Pr.	Name	Refer to page
C203	51	Rated second motor current	5-150, 5-303, 5-316
C204	456	Rated second motor voltage	5-303, 5-316
C205	457	Rated second motor frequency	5-303, 5-316
C206	743	Second motor maximum frequency	5-316
C207	744	Second motor inertia (integer)	5-316
C208	745	Second motor inertia (exponent)	5-316
C210	463	Second motor auto tuning setting/ status	5-303, 5-316, 5-426
C211	574	Second motor online auto tuning	5-327
C220	458	Second motor constant (R1)	5-303, 5-316, 5-426
C221	459	Second motor constant (R2)	5-303
C222	460	Second motor constant (L1) / d-axis inductance (Ld)	5-303, 5-316
C223	461	Second motor constant (L2) / q-axis inductance (Lq)	5-303, 5-316
C224	462	Second motor constant (X)	5-303
C225	455	Second motor excitation current	5-303
C226	860	Second motor torque current/ Rated PM motor current	5-303, 5-316
C230	738	Second motor induced voltage constant (phi f)	5-316
C231	739	Second motor Ld decay ratio	5-316
C232	740	Second motor Lq decay ratio	5-316
C233	746	Second motor protection current level	5-316
C282	741	Second starting resistance tuning compensation	5-316
C285	742	Second motor magnetic pole detection pulse width	5-316

Tab. 5-12: Motor constant parameters (2)

(A) Application parameters

Parameters to set a specific application.

Pr. group	Pr.	Name	Refer to page
A000	135	Electronic bypass sequence selection	5-333
A001	136	MC switchover interlock time	5-333
A002	137	Start waiting time	5-333
A003	138	Bypass selection at a fault	5-333
A004	139	Automatic switchover frequency from inverter to bypass operation	5-333
A005	159	Automatic switchover frequency range from bypass to inverter operation	5-333
A006	248	Self power management selection	5-342
A007	254	Main circuit power OFF waiting time	5-342
A300	592	Traverse function selection	5-346
A301	593	Maximum amplitude amount	5-346
A302	594	Amplitude compensation amount during deceleration	5-346
A303	595	Amplitude compensation amount during acceleration	5-346
A304	596	Amplitude acceleration time	5-346
A305	597	Amplitude deceleration time	5-346
A400	578	Auxiliary motor operation selection	5-392
A401	579	Motor connection function selection	5-392
A402	580	MC switching interlock time	5-392
A403	581	Start waiting time	5-392
A404	582	Auxiliary motor connection-time deceleration time	5-392
A405	583	Auxiliary motor disconnection-time acceleration time	5-392
A406	584	Auxiliary motor 1 starting frequency	5-392
A407	585	Auxiliary motor 2 starting frequency	5-392
A408	586	Auxiliary motor 3 starting frequency	5-392
A409	587	Auxiliary motor 1 stopping frequency	5-392
A410	588	Auxiliary motor 2 stopping frequency	5-392
A411	589	Auxiliary motor 3 stopping frequency	5-392
A412	590	Auxiliary motor start detection time	5-392
A413	591	Auxiliary motor stop detection time	5-392
A414	1376	Auxiliary motor stopping level	5-404
A420	1469	Number of cleaning times monitor	5-348
A421	1470	Number of cleaning times setting	5-348
A422	1471	Cleaning trigger selection	5-348
A423	1472	Cleaning reverse rotation frequency	5-348
A424	1473	Cleaning reverse rotation operation time	5-348
A425	1474	Cleaning forward rotation frequency	5-348
A426	1475	Cleaning forward rotation operation time	5-348
A427	1476	Cleaning stop time	5-348

Tab. 5-13: Application parameters (1)

Pr. group	Pr.	Name	Refer to page
A428	1477	Cleaning acceleration time	5-348
A429	1478	Cleaning deceleration time	5-348
A430	1479	Cleaning time trigger	5-348
A440	1361	Detection time for PID output hold	5-404
A441	1362	PID output hold range	5-404
A442	1370	Detection time for PID limiting operation	5-404
A443	1371	PID upper/lower limit prewarning level range	5-404
A444	1372	PID measured value control set point change amount	5-404
A445	1373	PID measured value control set point change rate	5-404
A446	1369	Check valve closing completion frequency	5-404
A447	1363	PID Priming time	5-404
A448	1364	Stirring time during sleep	5-404
A449	1365	Stirring interval time	5-404
A450	1374	Auxiliary pressure pump operation starting level	5-404
A451	1375	Auxiliary pressure pump operation stopping level	5-404
A452	1377	PID input pressure selection	5-404
A453	1378	PID input pressure warning level	5-404
A454	1379	PID input pressure fault level	5-404
A455	1380	PID input pressure warning set point change amount	5-404
A456	1381	PID input pressure fault operation selection	5-404
A600	759	PID unit selection	5-381
A601	131	PID upper limit	5-353
A602	132	PID lower limit	5-353
A603	553	PID deviation limit	5-353
A604	554	PID signal operation selection	5-353
A607	1015	Integral stop selection at limited frequency	5-167
A610	128	PID action selection	5-353
A611	133	PID action set point	5-353
A612	127	PID control automatic switchover frequency	5-353
A613	129	PID proportional band	5-353
A614	130	PID integral time	5-353
A615	134	PID differential time	5-353
A616	760	Pre-charge fault selection	5-385
A617	761	Pre-charge ending level	5-385
A618	762	Pre-charge ending time	5-385
A619	763	Pre-charge upper detection level	5-385
A620	764	Pre-charge time limit	5-385
A621	575	Output interruption detection time	5-353
A622	576	Output interruption detection level	5-353
A623	577	Output interruption cancel level	5-353

Tab. 5-13: Application parameters (2)

Pr. group	Pr.	Name	Refer to page
A624	609	PID set point/deviation input selection	5-353
A625	610	PID measured value input selection	5-353
A626	1132	Pre-charge change increment amount	5-385
A627	1366	Sleep boost level	5-404
A628	1367	Sleep boost waiting time	5-404
A629	1368	Output interruption cancel time	5-404
A630	C42 (934) ①	PID display bias coefficient	5-381
A631	C43 (934) ①	PID display bias analog value	5-381
A632	C44 (935) ①	PID display gain coefficient	5-381
A633	C45 (935) ①	PID display gain analog value	5-381
A640	1142	Second PID unit selection	5-353
A641	1143	Second PID upper limit	5-353
A642	1144	Second PID lower limit	5-353
A643	1145	Second PID deviation limit	5-353
A644	1146	Second PID signal operation selection	5-353
A650	753	Second PID action selection	5-353
A651	755	Second PID action set point	5-353
A652	754	Second PID control automatic switchover frequency	5-353
A653	756	Second PID proportional band	5-353
A654	757	Second PID integral time	5-353
A655	758	Second PID differential time	5-353
A656	765	Second pre-charge fault selection	5-385
A657	766	Second pre-charge ending level	5-385
A658	767	Second pre-charge ending time	5-385
A659	768	Second pre-charge upper detection level	5-385
A660	769	Second pre-charge time limit	5-385
A661	1147	Second output interruption detection time	5-353
A662	1148	Second output interruption detection level	5-353
A663	1149	Second output interruption cancel level	5-353
A664	1140	Second PID set point/deviation input selection	5-353
A665	1141	Second PID measured value input selection	5-353
A666	1133	Second pre-charge change increment amount	5-385
A670	1136	Second PID display bias coefficient	5-381
A671	1137	Second PID display bias analog value	5-381
A672	1138	Second PID display gain coefficient	5-381
A673	1139	Second PID display gain analog value	5-381

Tab. 5-13: Application parameters (3)

Pr. group	Pr.	Name	Refer to page
A680	573	4 mA input check selection	5-280
A681	777	4 mA input check operation frequency	5-280
A682	778	Current input check filter	5-280
A683	1460	PID multistage set point 1	5-373
A684	1461	PID multistage set point 2	5-373
A685	1462	PID multistage set point 3	5-373
A686	1463	PID multistage set point 4	5-373
A687	1464	PID multistage set point 5	5-373
A688	1465	PID multistage set point 6	5-373
A689	1466	PID multistage set point 7	5-373
A690	1211	PID gain tuning timeout time	5-373
A691	1212	Step manipulated amount	5-373
A692	1213	Step response sampling cycle	5-373
A693	1214	Timeout time after the maximum slope	5-373
A694	1215	Limit cycle output upper limit	5-373
A695	1216	Limit cycle output lower limit	5-373
A696	1217	Limit cycle hysteresis	5-373
A697	1218	PID gain tuning setting	5-373
A698	1219	PID gain tuning start/status	5-373
A700	162	Automatic restart after instantaneous power failure selection	5-415, 5-423, 5-426
A701	299	Rotation direction detection selection at restarting	5-415
A702	57	Restart coasting time	5-415, 5-423
A703	58	Restart cushion time	5-415
A704	163	First cushion time for restart	5-415
A705	164	First cushion voltage for restart	5-415
A710	165	Stall prevention operation level for restart	5-415
A711	298	Frequency search gain	5-415
A712	560	Second frequency search gain	5-415
A730 ②	261	Power failure stop selection	5-432
A731 ②	262	Subtracted frequency at deceleration start	5-432
A732 ②	263	Subtraction starting frequency	5-432
A733 ②	264	Power-failure deceleration time 1	5-432
A734 ②	265	Power-failure deceleration time 2	5-432
A735 ②	266	Power failure deceleration time switchover frequency	5-432
A785 ②	294	UV avoidance voltage gain	5-432
A786 ②	668	Power failure stop frequency gain	5-432
A800	414	PLC function operation selection	5-439
A801	415	Inverter operation lock mode setting	5-439
A802	416	Pre-scale function selection	5-439
A803	417	Pre-scale setting value	5-439
A804	498	PLC function flash memory clear	5-439

Tab. 5-13: Application parameters (4)

Pr. group	Pr.	Name	Refer to page
A810 to A859	1150 to 1199	PLC function user parameters 1 to 50	5-439
A900	1020	Trace operation selection	5-443
A901	1021	Trace mode selection	5-443
A902	1022	Sampling cycle	5-443
A903	1023	Number of analog channels	5-443
A904	1024	Sampling auto start	5-443
A905	1025	Trigger mode selection	5-443
A906	1026	Number of sampling before trigger	5-443
A910	1027	Analog source selection (1ch)	5-443
A911	1028	Analog source selection (2ch)	5-443
A912	1029	Analog source selection (3ch)	5-443
A913	1030	Analog source selection (4ch)	5-443
A914	1031	Analog source selection (5ch)	5-443
A915	1032	Analog source selection (6ch)	5-443
A916	1033	Analog source selection (7ch)	5-443
A917	1034	Analog source selection (8ch)	5-443
A918	1035	Analog trigger channel	5-443
A919	1036	Analog trigger operation selection	5-443
A920	1037	Analog trigger level	5-443
A930	1038	Digital source selection (1ch)	5-443
A931	1039	Digital source selection (2ch)	5-443
A932	1040	Digital source selection (3ch)	5-443
A933	1041	Digital source selection (4ch)	5-443
A934	1042	Digital source selection (5ch)	5-443
A935	1043	Digital source selection (6ch)	5-443
A936	1044	Digital source selection (7ch)	5-443
A937	1045	Digital source selection (8ch)	5-443
A938	1046	Digital trigger channel	5-443
A939	1047	Digital trigger operation selection	5-443

Tab. 5-13: Application parameters (5)

(N) Operation via communication and its settings

Parameters for communication operation. These parameters set the communication specifications and operation.

Pr. group	Pr.	Name	Refer to page
N000	549	Protocol selection	5-459
N001	342	Communication EEPROM write selection	5-459
N002	539	MODBUS® RTU communication check time interval	5-488
N010	349 ^④	Communication reset selection	5-459
N011	500 ^⑤	Communication error execution waiting time	5-459
N012	501 ^⑤	Communication error occurrence count display	5-459
N013	502	Stop mode selection at communication error	5-459
N014	779	Operation frequency during communication error	5-459
N020	117	PU communication station number	5-467
N021	118	PU communication speed	5-467
N022	119	PU communication data length	5-467
N023	119	PU communication stop bit length	5-467
N024	120	PU communication parity check	5-467
N025	121	Number of PU communication retries	5-467
N026	122	PU communication check time interval	5-467
N027	123	PU communication waiting time setting	5-467
N028	124	PU communication CR/LF selection	5-467
N030	331	RS-485 communication station number	5-467
N031	332	RS-485 communication speed	5-467
N032	333	RS-485 communication data length	5-467
N033	333	RS-485 communication stop bit length	5-467
N034	334	RS-485 communication parity check selection	5-467
N035	335	RS-485 communication retry count	5-467
N036	336	RS-485 communication check time interval	5-467
N037	337	RS-485 communication waiting time setting	5-467
N038	341	RS-485 communication CR/LF selection	5-467
N040	547	USB communication station number	5-531
N041	548	USB communication check time interval	5-531
N050	726	Auto Baudrate/Max Master	5-506
N051	727	Max Info Frames	5-506
N052	728	Device instance number (Upper 3 digits)	5-506
N053	729	Device instance number (Lower 4 digits)	5-506

Tab. 5-14: Operation via communication and its settings (1)

Pr. group	Pr.	Name	Refer to page
N054	390	% setting reference frequency	5-506
N080	343	Communication error count	5-488
N100	541 ④	Frequency command sign selection	5-610
N103	544 ④	CC-Link extended setting	5-610
N500 to N543, N550 to N559	1300 to 1343, 1350 to 1359	Communication option parameters. For details, refer to the Instruction Manual of the option.	
N600	1434 ④	Ethernet IP address 1	5-522
N601	1435 ④	Ethernet IP address 2	5-522
N602	1436 ④	Ethernet IP address 3	5-522
N603	1437 ④	Ethernet IP address 4	5-522
N610	1438 ④	Subnet mask 1	5-522
N611	1439 ④	Subnet mask 2	5-522
N612	1440 ④	Subnet mask 3	5-522
N613	1441 ④	Subnet mask 4	5-522
N630	1427 ④	Ethernet function selection 1	5-522
N631	1428 ④	Ethernet function selection 2	5-522
N632	1429 ④	Ethernet function selection 3	5-522
N641	1426 ④	Link speed and duplex mode selection	5-522
N642	1455 ④	Keepalive time	5-522
N643	1431 ④	Ethernet signal loss detection function selection	5-522
N644	1432 ④	Ethernet communication check time interval	5-522
N650	1424 ④	Ethernet communication network number	5-522
N651	1425 ④	Ethernet communication station number	5-522
N660	1442 ④	Ethernet IP filter address 1	5-522
N661	1443 ④	Ethernet IP filter address 2	5-522
N662	1444 ④	Ethernet IP filter address 3	5-522
N663	1445 ④	Ethernet IP filter address 4	5-522
N664	1446 ④	Ethernet IP filter address 2 range specification	5-522
N665	1447 ④	Ethernet IP filter address 3 range specification	5-522
N666	1448 ④	Ethernet IP filter address 4 range specification	5-522
N670	1449 ④	Ethernet command source selection IP address 1	5-522
N671	1450 ④	Ethernet command source selection IP address 2	5-522
N672	1451 ④	Ethernet command source selection IP address 3	5-522
N673	1452 ④	Ethernet command source selection IP address 4	5-522
N674	1453 ④	Ethernet command source selection IP address 3 range specification	5-522
N675	1454 ④	Ethernet command source selection IP address 4 range specification	5-522

Tab. 5-14: Operation via communication and its settings (2)

Pr. group	Pr.	Name	Refer to page
N681	1124 ④	Station number in inverter-to-inverter link	5-635
N682	1125 ④	Number of inverters in inverter-to-inverter link system	5-635

Tab. 5-14: Operation via communication and its settings (3)

(G) Control Parameter

Parameters for motor control.

Pr. group	Pr.	Name	Refer to page
G000	0	Torque boost Simple	5-535
G001	3	Base frequency Simple	5-537
G002	19	Base frequency voltage	5-537
G003	14	Load pattern selection	5-539
G010	46	Second torque boost	5-535
G011	47	Second V/F (base frequency)	5-537
G030	60	Energy saving control selection	5-541
G040	100	V/F1 (first frequency)	5-542
G041	101	V/F1 (first frequency voltage)	5-542
G042	102	V/F2 (second frequency)	5-542
G043	103	V/F2 (second frequency voltage)	5-542
G044	104	V/F3 (third frequency)	5-542
G045	105	V/F3 (third frequency voltage)	5-542
G046	106	V/F4 (fourth frequency)	5-542
G047	107	V/F4 (fourth frequency voltage)	5-542
G048	108	V/F5 (fifth frequency)	5-542
G049	109	V/F5 (fifth frequency voltage)	5-542
G060	673	SF-PR slip amount adjustment operation selection	5-544
G061	674	SF-PR slip amount adjustment gain	5-544
G100	10	DC injection brake operation frequency	5-545
G101	11	DC injection brake operation time	5-545
G105	522	Output stop frequency	5-548
G106	250	Stop selection	5-293
G107	70	Parameter for manufacturer setting. Do not set.	
G110	12	DC injection brake operation voltage	5-545
G120	882	Regeneration avoidance operation selection	5-560
G121	883	Regeneration avoidance operation level	5-560
G122	884	Regeneration avoidance at deceleration detection sensitivity	5-560
G123	885	Regeneration avoidance compensation frequency limit value	5-560
G124	886	Regeneration avoidance voltage gain	5-560
G125	665	Regeneration avoidance frequency gain	5-560

Tab. 5-15: Control Parameter (1)

Pr. group	Pr.	Name	Refer to page
G130	660	Increased magnetic excitation deceleration operation selection	5-564
G131	661	Magnetic excitation increase rate	5-564
G132	662	Increased magnetic excitation current level	5-564
G200	800	Control method selection	5-41
G203	245	Rated slip	5-566
G204	246	Slip compensation time constant	5-566
G205	247	Constant-power range slip compensation selection	5-566
G211	820	Speed control P gain 1	5-55
G212	821	Speed control integral time 1	5-55
G213	824	Torque control P gain 1 (current loop proportional gain)	5-55
G214	825	Torque control integral time 1 (current loop integral time)	5-55
G216	827	Torque detection filter 1	5-59
G224	828	Parameter for manufacturer setting. Do not set.	
G311	830	Speed control P gain 2	5-55
G312	831	Speed control integral time 2	5-55
G313	834	Torque control P gain 2	5-55
G314	835	Torque control integral time 2	5-55
G316	837	Torque detection filter 2	5-59
G410	653	Speed smoothing control	5-567
G411	654	Speed smoothing cutoff frequency	5-567
G932	89	Speed control gain (Advanced magnetic flux vector)	5-45
G942	569	Second motor speed control gain	5-45

Tab. 5-15: Control Parameter (2)

- ① The parameter number in parentheses is the one for use with the LCD operation panel and the parameter unit.
- ② Setting can be made only for the standard model.
- ③ The setting is available only with the 400 V class.
- ④ The setting is available for the FR-F800-E only or when a compatible plug-in option is installed.
- ⑤ The setting is available only when a communication option is installed.

5.2 Control method

V/F control (initial setting), Advanced magnetic flux vector control, and PM motor control are available with this inverter.

V/F control

It controls the frequency and voltage so that the ratio of frequency (F) to voltage (V) is constant while changing the frequency.

Advanced magnetic flux vector control

This control performs vector calculation and divide the inverter's output current into an excitation current and into a torque current. The frequency and the voltage are then compensated to flow the motor current that meets the load torque. This control methods improves the torque generation at a low speed. The output frequency is further compensated (slip compensation) to bring the actual motor speed closer to the commanded speed. This function is useful when the load fluctuates are large.

NOTE

Advanced magnetic flux vector control requires the following conditions.

If the conditions are not satisfied, select V/F control. Otherwise, malfunctions such as insufficient torque, uneven rotation may occur.

- For the motor capacity, the rated current should be equal to or less than the inverter rated current. (It must be 0.4 kW or higher.)
Using a motor with the rated current substantially lower than the inverter rated current will cause torque ripples, etc. and degrade the speed and torque accuracies. As a reference, select the motor with the rated motor current that is about 40% or higher of the inverter rated current.
- The motor described in the table below is used.

Motor	Condition
Mitsubishi standard motor (SF-JR)	Offline auto tuning is not required
Mitsubishi high-efficiency motor (SF-HR)	
Mitsubishi constant-torque motor (SF-JRCA 4P, SF-HRCA)	
Mitsubishi high-performance energy-saving motor (SF-PR)	
Other motors (other manufacturers, SF-TH, etc.)	Offline auto tuning is required

- Single-motor operation (one motor to one inverter) is performed.
- The wiring length from inverter to motor is 30 m or less. (When the wiring length exceeds 30 m, perform offline auto tuning in a wired state.)
- A sine wave filter (MT-BSL/BSC) is not used.

PM motor control

- Highly efficient motor control and highly accurate motor speed control can be performed by using the inverter with a PM (permanent magnet embedded) motor, which is more efficient than an induction motor.
- The motor speed is calculated based on the output voltage and current from the inverter. It does not require a speed detector such as an encoder. The inverter drives the PM motor with the least required current when a load is applied in order to achieve the highest motor efficiency.
- Performing the IPM parameter initialization makes the IPM motor MM-EFS or MM-THE4 ready for the PM motor control.

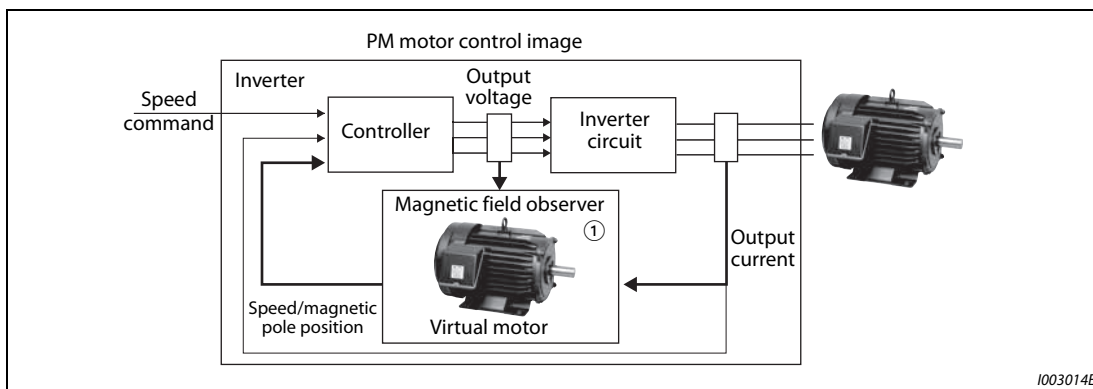


Fig. 5-1: PM motor control image

- ① A magnetic field observer is a control method that calculates the motor speed/magnetic pole position based on the motor voltage and current of a virtual motor which is set up in the inverter.

NOTES

The PM motor control requires the following conditions.

- The motor described in the table below is used.

Motor	Condition
Mitsubishi IPM motor (MM-EFS, MM-THE4)	Offline auto tuning is not required
IPM motor (other than MM-EFS, MM-THE4), SPM motor	Offline auto tuning is required

- For the motor capacity, the rated motor current should be equal to or less than the inverter rated current. (It must be 0.4 kW or higher.)
Using a motor with the rated current substantially lower than the inverter rated current will cause torque ripples, etc. and degrade the speed and torque accuracies. As a reference, select the motor with the rated motor current that is about 40% or higher of the inverter rated current.
- Single-motor operation (one motor to one inverter) is performed.
- The overall wiring length with the motor is 100 m or less. (Refer to page 2-43.) (Even with the IPM motor MM-EFS, MM-THE4, when the wiring length exceeds 30 m, perform offline auto tuning.)
- A surge voltage suppression filter (FR-ASF/FR-BMF) or sine wave filter (MT-BSL/BSC) is not used.

5.2.1 Changing the control method

Set the control method.

V/F control, Advanced magnetic flux vector control, and PM motor control are the control methods available for selection.

When using an IPM motor MM-EFS or MM-THE4, simply performing the IPM parameter initialization enables the PM motor control.

- The PM motor test operation can be performed by setting Pr. 800 "Control method selection".

Pr.	Name	Initial value	Setting range	Description
71 C100	Applied motor	0 ^①	0 to 6, 13 to 16, 20, 23, 24, 40, 43, 44, 50, 53, 54, 70, 73, 74, 210, 213, 214, 240, 243, 244, 8090, 8093, 8094, 9090, 9093, 9094	By selecting a standard motor or constant-torque motor, the thermal characteristic and motor constant of each motor are set.
80 C101	Motor capacity	9999	0.4 to 55 kW ^①	Set the applied motor capacity.
			0 to 3600 kW ^②	
			9999	V/F control
81 C102	Number of motor poles	9999	2, 4, 6, 8, 10, 12	Set the number of motor poles.
			9999	V/F control
83 C104	Rated motor voltage	200/ 400 V ^③	0 to 1000 V	Set the rated motor voltage (V).
84 C105	Rated motor frequency	9999	10 to 400 Hz	Set the rated motor frequency (Hz).
			9999	The setting value of Pr. 3 "Base frequency" is used. ^④
800 G200	Control method selection	20	9	PM motor test operation (Motor is not driven even if it is connected.)
			20	Normal operation (Motor can be driven.)

^① For the FR-F820-02330(55K) or lower, and the FR-F840-01160(55K) or lower.

^② For the FR-F820-03160(75K) or higher and the FR-F840-01800(75K) or higher.

^③ The initial value differs according to the voltage class. (200V class/400V class)

^④ When the IPM motor MM-EFS or MM-THE4 is selected by Pr. 71 "Applied motor", the rated frequency of the MM-EFS or MM-THE4 is used. When a PM motor other than the MM-EFS or MM-THE4 is selected by Pr. 71, 75 Hz (for the motor capacity 15 kW or lower) or 100 Hz (18.5 kW or higher) is used.

Setting the motor capacity and the number of motor poles (Pr. 80, Pr. 81)

- Motor specifications (the motor capacity and the number of motor poles) must be set to select Advanced magnetic flux vector control, or PM motor control.
- Set the motor capacity (kW) in Pr. 80 "Motor capacity" and set the number of motor poles in Pr. 81 "Number of motor poles".

NOTE

Setting the number of motor poles in Pr. 81 changes the Pr. 144 "Speed setting switchover" setting automatically. (Refer to page 5-196.)

PM motor control test operation (Pr. 800 = "9")

Test operation in the speed control is available without connecting a motor.

The speed calculation changes to track the speed command, and such speed changes can be checked on the operation panel or by outputting it as analog signals to the terminal FM, AM, or CA.

NOTES

Since current is not detected and voltage is not output, monitors related to current and voltage such as output current and output voltage, etc. and output signals do not function.

I/O signal operation during the test operation

During the test operation, the following signals are invalid.

- Input terminal function selection (Pr. 178 to Pr. 189)
 - V/F switchover signal (X18)
 - Start-time tuning start external input signal (X28)
- Output terminal function selection (Pr.190 to Pr.196)
 - Electronic thermal O/L relay pre-alarm signal (THP)
 - Start time tuning completion signal (Y39)

Parameters referred to

Pr. 178 to Pr. 189	(input terminal function selection)	=>	page 5-285
Pr. 190 to Pr. 196	(output terminal function selection)	=>	page 5-231

Valid/invalid status of monitor outputs during the test run

- : Valid
 ×: Invalid (always displays 0)
 Δ: Displays accumulated value before the test
 —: Not monitored

Types of monitor	DU/PU Monitor display	FM/AM/CA Output	Types of monitor	DU/PU Monitor display	FM/AM/CA Output
Output frequency	○	○	PID deviation	○	○ ^③
Fault display	○	—	Input terminal status	○	—
Frequency setting value	○	○	Output terminal status	○	—
Running speed	○	○	Option input terminal status	○	—
Converter output voltage	○	○	Option output terminal status	○	—
Electric thermal relay load factor	× ^②	× ^②	Motor thermal load factor	○ ^④	○ ^④
Output current peak value	× ^②	× ^②	Inverter thermal load factor	○ ^④	○ ^④
Converter output voltage peak value	○	○	PTC thermistor value	○	—
Load meter	○	○	PID measured value 2	○	○
Cumulative energization time	○	—	PID input pressure value	○	○
Reference voltage output	—	○	Remote output 1	○	○
Actual operation time	○	—	Remote output 2	○	○
Cumulative power	Δ	—	Remote output 3	○	○
Trace status	○	×	Remote output 4	○	○
Station number (RS-485 terminals)	○	—	PID manipulated amount	○	○ ^③
Station number (PU connector)	○	—	Second PID set point	○	○
Station number (CC-Link)	○	—	Second PID measured value	○	○
Energy saving effect	○	○	Second PID deviation	○	○ ^③
Cumulative energy saving	Δ	—	Second PID measured value 2	○	○
PID set point	○	○	Second PID manipulated amount	○	○ ^③
PID measured value	○	○			

Tab. 5-16: Monitor outputs during the test run

- ① Different output interface (operation panel, parameter unit, terminal FM/CA or terminal AM) can output different monitored items. For details, refer to page 5-211.
- ② When the operation is switched to the test run, "0" is displayed. When PM motor control is selected again after a test run, the output current peak value and the electronic thermal relay load factor from the last operation are displayed.
- ③ The monitored status can be output via the terminal AM only.
- ④ When the operation is switched to the test run, accumulated thermal value is reduced by considering the output current is "0".

Parameters referred to			
Pr. 52	Operation panel main monitor selection	=>	page 5-198
Pr. 158	AM terminal function selection	=>	page 5-211

Changing the control method with external terminals (RT signal, X18 signal)

- Control method (V/F control, Advanced magnetic flux vector control) can be switched among using external terminals.
The control method can be either switched using the Second function selection (RT) signal or the V/F switchover (X18) signal.
- When using the RT signal, set the second motor in Pr. 450 "Second applied motor". Turning ON the RT signal enables the second function, enabling the switchover of the control method.
- When using the X18 signal, turning ON the X18 signal switches the presently-selected control method (Advanced magnetic flux vector control) to the V/F control. At this time, the second functions including electronic thermal characteristic are not changed. Use this method to switch the control method for one motor. (To switch the second functions, use the RT signal.)
To input the X18 signal, set "18" in any of Pr. 178 to Pr. 189 (input terminal function selection) to assign the function.

First motor control method	Second motor control method (RT signal-ON)	Pr. 450 setting value	Pr. 453, Pr. 454 setting value
V/F control	V/F control	9999	—
	V/F control	—	9999 ②
	Advanced magnetic flux vector control	Induction motor	Other than 9999
	PM motor control	IPM/SPM motor	
Advanced magnetic flux vector control PM motor control ①	Same control as the first motor ①	9999	—
	V/F control	—	9999 ②
	Advanced magnetic flux vector control	Induction motor	Other than 9999
	PM motor control	IPM/SPM motor	

Tab. 5-17: Control of the first and second motor

- ① V/F control is set by turning ON the X18 signal. If the X18 signal is unassigned, RT signal performs the same function; Turning ON the RT signal selects V/F control.
- ② V/F control when Pr. 453 or Pr. 454 is set to "9999". When Pr. 450 is set to the IPM motor MM-EFS or MM-THE4, PM motor control is enabled even if Pr. 453 ≠ "9999" or Pr. 454 = "9999".

NOTES

- RT signal is assigned to the terminal RT in the initial status. Set "3" in one of Pr. 178 to Pr. 189 (input terminal function selection) to assign the RT signal to another terminal.
- The RT signal is a second function selection signal. The RT signal also enables other second functions. (Refer to page 5-291.)
- The control method could be changed by external terminals (RT signal, X18 signal) while the inverter is stopped. If a signal is switched during the operation, the control method changes after the inverter stops.

Parameters referred to			
Pr. 178 to Pr. 189	(input terminal function selection)	=>	page 5-285
Pr. 450	Second applied motor	=>	page 5-297

5.2.2 Selecting the Advanced magnetic flux vector control

NOTE

To use the Advanced magnetic flux vector control, set the motor capacity, the number of motor poles, and the motor type using Pr. 80 and Pr. 81.

Advanced magnetic flux vector control

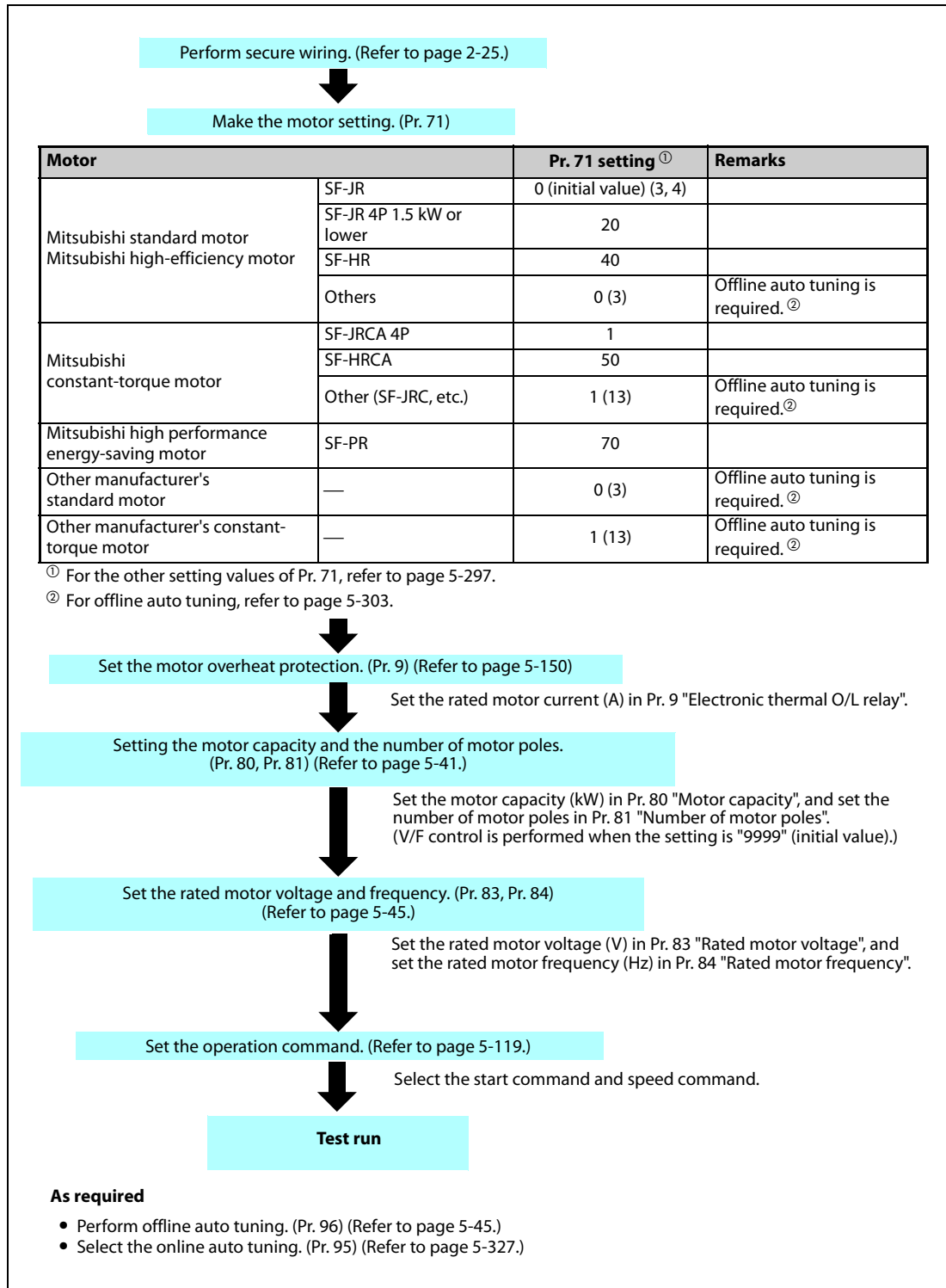


Fig. 5-2: Advanced magnetic flux vector control

NOTES

Under this control, rotations are more likely to be uneven than under V/F control. (This control method is not suitable for grinder, wrapping machine, etc., which require even rotation at a low speed.)

For FR-F820-02330(55K) or lower and FR-F840-01160(55K) or lower, the operation with a surge voltage suppression filter (FR-ASF-H/FR-BMF-H) installed between the inverter and the motor may reduce the output torque.

The optional sine wave filter (MT-BSL/BSC) cannot be used between the inverter and the motor.

Changing the terminal assignment using Pr. 178 to Pr. 189 (input terminal function selection) may affect the other functions. Set parameters after confirming the function of each terminal.

Keeping the motor speed constant when the load fluctuates (speed control gain)

Pr.	Name	Initial value	Setting range	Description
89 G932	Speed control gain (Advanced magnetic flux vector)	9999	0 to 200%	Makes adjustments to keep the motor speed constant during variable load operation under Advanced magnetic flux vector control. The reference value is 100%.
			9999	The gain set by Pr. 71. (The gain set in accordance with the motor.)
569 G942	Second motor speed control gain	9999	0 to 200%	Makes adjustments to keep the second motor speed constant during variable load operation under Advanced magnetic flux vector control. The reference value is 100%.
			9999	The gain set by Pr. 450. (The gain set in accordance with the motor.)

- Use Pr. 89 to keep the motor speed constant during variable load operation. (This parameter is useful to make adjustments on the motor speed.)

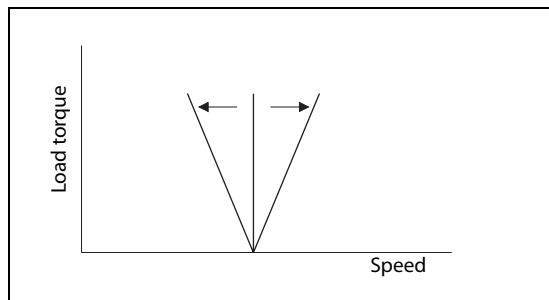


Fig. 5-3:
Adjusting speed fluctuations

1002504E

Driving two motors under Advanced magnetic flux vector control

- Turning ON the Second function selection (RT) signal enables the second motor operation.
- Set a second motor in Pr. 450 "Second applied motor". (In the initial setting, "9999 (no second motor)" is selected. Refer to page 5-297.)

Function	RT signal ON (second motor)	RT signal OFF (first motor)
Applied motor	Pr. 450	Pr. 71
Motor capacity	Pr. 453	Pr. 80
Number of motor poles	Pr. 454	Pr. 81
Speed control gain (Advanced magnetic flux vector)	Pr. 569	Pr. 89

Tab. 5-18: Switching the parameters by using the RT signal**NOTES**

The RT signal is a second function selection signal. The RT signal also enables other second functions. (Refer to page 5-291.)

RT signal is assigned to the terminal RT in the initial status. Set "3" in any of Pr. 178 to Pr. 189 (input terminal function selection) to assign the RT signal to another terminal.

Changing the terminal assignment using Pr. 178 to Pr. 189 (input terminal function selection) may affect the other functions. Set parameters after confirming the function of each terminal.

Parameters referred to			
Pr. 71, Pr. 450	Applied motor	=>	page 5-297
Pr. 800	Control method selection	=>	page 5-41

5.2.3 Selecting the PM motor control

Selecting the PM motor control by performing parameter initialization on the operation panel (PM)







NOTE

The parameters required to drive an IPM motor MM-EFS or MM-THE4 are automatically changed as a batch. (Refer to page 5-51.)

[PM] on the operation panel (FR-DU08) is on when the PM motor control is set.

Example ▾

Operation example: Initialize the parameter settings for an IPM motor MM-EFS (1500 r/min specification) or MM-THE4 by selecting IPM parameter initialization on the operation panel.

Operation	
①	Screen at power-ON The monitor display appears.
②	Changing the operation mode Press  to choose the PU operation mode. [PU] indicator is lit.
③	Parameter setting mode Press  to choose the parameter setting mode. [PRM] indicator is lit.
④	IPM parameter initialization Turn  until "PM" (IPM parameter initialization) appears.
⑤	Setting value display Press  to read the present set value. "0" (initial value) appears.
⑥	Changing the setting value Turn  to change the set value to "12", then press  . "12" and "PM" flicker alternately. The setting is completed.

Tab. 5-19: Selecting the PM motor control by performing parameter initialization

Setting	Description
0	Parameter settings for an induction motor
12	Parameter settings for an IPM motor MM-EFS (1500 r/min specification)/MM-THE4 (rotations per minute)
14	Parameter settings for an IPM motor MM-EFS (3000 r/min specification) (rotations per minute)

Tab. 5-20: Settings for the IPM parameter initialization

NOTES

- If parameters are initialized for a PM motor in the IPM initialization mode, the Pr. 998 "PM parameter initialization" setting is automatically changed.
- To set a speed or to display monitored items in frequency, Pr. 998. (Refer to page 5-49.)
- When Pr. 998 = "112, 114", the IPM parameter initialization (PM) setting is displayed as "12, 14".

Initializing the parameters required for the PM motor control (Pr. 998)

- PM parameter initialization sets parameters required for driving an IPM motor MM-EFS or MM-THE4.
- The offline auto tuning enables the operation with an IPM motor other than MM-EFS or MM-THE4 and with SPM motors.
- Two MM-EFS or MM-THE4 IPM parameter initialization methods are available; setting Pr. 998 "PM parameter initialization", and selecting $\int \int \int$ (IPM parameter initialization) mode on the operation panel.

Pr.	Name	Initial value	Setting range	Description
998 E430	PM parameter initialization	0	0	Parameter settings for an induction motor (frequency) The parameter settings required to drive an induction motor are set.
			12	For IPM motor MM-EFS (1500 r/min specification)/MM-THE4. Parameter setting (rotations per minute) The parameters settings required to drive an IPM motor are set.
			14	For IPM motor MM-EFS (3000 r/min specification). Parameter setting (rotations per minute)
			112	For IPM motor MM-EFS (1500 r/min specification)/MM-THE4. Parameter setting (frequency)
			114	For IPM motor MM-EFS (3000 r/min specification) Parameter setting (frequency)
			8009	The parameters settings required to drive an IPM motor other than MM-EFS/MM-THE4 are set. (rotations per minute) (after tuning) The parameters settings required to drive an IPM motor are set. (Set Pr. 71 "Applied motor" and perform offline auto tuning in advance. (Refer to page 5-316.))
			8109	The parameters settings required to drive an IPM motor other than MM-EFS/MM-THE4 are set. (frequency) (after tuning)
			9009	The parameters settings required to drive an SPM motor are set. (rotations per minute) (after tuning) The parameters settings required to drive an SPM motor are set. (Set Pr. 71 "Applied motor" and perform offline auto tuning in advance. (Refer to page 5-316.))
9109	The parameters settings required to drive an SPM motor are set. (frequency) (after tuning)			

- To use a motor capacity that is one rank lower than the inverter capacity, set Pr. 80 "Motor capacity" before performing IPM parameter initialization.
- When Pr. 998 = "12, 14, 8009, or 9009", the monitor is displayed and the frequency is set using the motor rotations per minute. To use frequency to display or set, set Pr. 998 = "112, 114, 8109, or 9109".
- Set Pr. 998 = "0" to change the PM motor control parameter settings to the parameter settings required to drive an induction motor.
- When using an IPM motor other than MM-EFS/MM-THE4, set Pr. 998 = "8009, 8109, 9009, or 9109". The setting can be made after performing offline auto tuning.

NOTES

Make sure to set Pr. 998 before setting other parameters. If the Pr. 998 setting is changed after setting other parameters, some of those parameters will be initialized too. (Refer to "PM parameter initialization list" for the parameters that are initialized.)

To change back to the parameter settings required to drive an induction motor, perform parameter clear or all parameter clear.

If the setting of Pr. 998 "PM parameter initialization" is changed between "12, 14, 8009, 9009 (rotations per minute)" ↔ "112, 114, 8109, 9109 (frequency)", the target parameters are respectively set to their initial values. The purpose of Pr. 998 is not to change the display units. Use Pr. 144 "Speed setting switchover" to change the display units between rotations per minute and frequency. Pr.144 enables switching of display units between rotations per minute and frequency without initializing the parameter settings.

Example:

Changing the Pr.144 setting between "6" and "106" switches the display units between frequency and rotations per minute.

For an inverter out of the capacity range of the IPM motor MM-EFS/MM-THE4, "12, 14, 112 or 114" cannot be set. (Refer to page 8-4 for the capacities of MM-EFS/MM-THE4 motors.)

The PM parameter initialization (Pr. 998) changes parameter settings for the first motor. When a PM motor is used as the second motor, parameters for the second motor must be set individually.

PM parameter initialization list

- The parameter settings in the following table are changed to the settings required to perform PM motor control by selecting PM motor control with the IPM parameter initialization mode on the operation panel or with Pr. 998 "PM parameter initialization".
- Performing parameter clear or all parameter clear sets back the parameter settings to the settings required to drive an induction motor.

Pr.	Name	Setting								Setting increments		
		Induction motor		PM motor (rotations per minute)			PM motor (frequency)					
		Pr. 998	0 (initial value)		12	14	8009 9009	112	114	8109 9109	12,14, 8009, 9009	0, 112,114, 8109, 9109
	FM	CA										
1	Maximum frequency		120 Hz ^①		Maximum motor rotations per minute	Maximum motor frequency ^⑤	Maximum motor frequency		Maximum motor frequency ^⑥	1 r/min	0.01 Hz	
			60 Hz ^②									
4	Multi-speed setting (high speed)	60 Hz	50 Hz		Rated motor rotations per minute	Pr. 84	Rated motor frequency		Pr. 84	1 r/min	0.01 Hz	
9	Electronic thermal O/L relay	Inverter rated current		Rated motor current (Refer to page 8-4.)	—	Rated motor current (Refer to page 8-4.)		—	0.01 A ^①		0.1 A ^②	
13	Starting frequency	0.5 Hz		Minimum rotations per minute	Pr. 84 × 10%	Minimum frequency		Pr. 84 × 10%	1 r/min	0.01 Hz		
15	Jog frequency	5 Hz		Minimum rotations per minute	Pr. 84 × 10%	Minimum frequency		Pr. 84 × 10%	1 r/min	0.01 Hz		
18	High speed maximum frequency		120 Hz ^①		Maximum motor rotations per minute	—	Maximum motor frequency		—	1 r/min	0.01 Hz	
			60 Hz ^②									
20	Acceleration/ deceleration reference frequency	60 Hz	50 Hz		Rated motor rotations per minute	Pr. 84	Rated motor frequency		Pr. 84	1 r/min	0.01 Hz	
22	Stall prevention operation level	120% ^⑤	110% ^⑤		Short-time motor torque				0.1%			
37	Speed display	0		0				1				
55	Frequency monitoring reference	60 Hz	50 Hz		Rated motor rotations per minute	Pr. 84	Rated motor frequency		Pr. 84	1 r/min	0.01 Hz	
56	Current monitoring reference	Inverter rated current		Rated motor current (Refer to page 8-4.)	Pr. 859	Rated motor current (Refer to page 8-4.)		Pr. 859	0.01 A ^①		0.1 A ^②	
71	Applied motor	0		210 ^③	240 ^③	—	210 ^③	240 ^③	—	1		
80	Motor capacity	9999		Inverter capacity ^④		—	Inverter capacity ^④		—	0.01 kW ^①		0.1 kW ^②
81	Number of motor poles	9999		Number of motor poles ^④		—	Number of motor poles ^④		—	1		
84	Rated motor frequency	9999		Rated motor rotations per minute ^④		—	Rated motor frequency ^④		—	1 r/min	0.01 Hz	
125 (903)	Terminal 2 frequency setting gain frequency	60 Hz	50 Hz		Rated motor rotations per minute	Pr. 84	Rated motor frequency		Pr. 84	1 r/min	0.01 Hz	
126 (905)	Terminal 4 frequency setting gain frequency	60 Hz	50 Hz		Rated motor rotations per minute	Pr. 84	Rated motor frequency		Pr. 84	1 r/min	0.01 Hz	
144	Speed setting switchover	4		Number of motor poles + 100		Pr. 81 + 100	Number of motor poles		Pr. 81	1		
240	Soft-PWM operation selection	1		0				1				
263	Subtraction starting frequency	60 Hz	50 Hz		Rated motor rotations per minute	Pr. 84	Rated motor frequency		Pr. 84	1 r/min	0.01 Hz	
266	Power failure deceleration time switchover frequency	60 Hz	50 Hz		Rated motor rotations per minute	Pr. 84	Rated motor frequency		Pr. 84	1 r/min	0.01 Hz	

Tab. 5-21: PM parameter initialization list (1)

Pr.	Name	Setting								Setting increments	
		Induction motor		PM motor (rotations per minute)			PM motor (frequency)				
		Pr. 998	0 (initial value)		12	14	8009 9009	112	114	8109 9109	12,14, 8009, 9009
	FM	CA									
374	Overspeed detection level	9999		Overspeed detection level, rotations per minute	Maximum motor frequency +10 Hz ^④ ⑦	Overspeed detection level, frequency	Maximum motor frequency +10 Hz ^④	1 r/min	0.01 Hz		
390	% setting reference frequency	60 Hz	50 Hz	Rated motor rotations per minute	Pr. 84	Rated motor frequency	Pr. 84	1 r/min	0.01 Hz		
505	Speed setting reference	60 Hz	50 Hz	Rated motor frequency	Pr. 84	Rated motor frequency	Pr. 84	0.01 Hz			
557	Current average value monitor signal output reference current	Inverter rated current		Rated motor current (Refer to page 8-4.)	Pr. 859	Rated motor current (Refer to page 8-4.)	Pr. 859	0.01 A ^① 0.1 A ^②			
870	Speed detection hysteresis	0 Hz		Speed detection hysteresis rotations per minute	0.5 Hz ^⑦	Speed detection hysteresis frequency	0.5 Hz	1 r/min	0.01 Hz		
885	Regeneration avoidance compensation frequency limit value	6 Hz		Minimum rotations per minute	Pr. 84 × 10%	Minimum frequency	Pr. 84 × 10%	1 r/min	0.01 Hz		
893	Energy saving monitor reference (motor capacity)	Inverter rated capacity		Motor capacity (Pr. 80)				0.01 kW ^① 0.1 kW ^②			
C14 (918)	Terminal 1 gain frequency (speed)	60 Hz	50 Hz	Rated motor rotations per minute	Pr. 84	Rated motor frequency	Pr. 84	1 r/min	0.01 Hz		

—: Not changed

Tab. 5-21: PM parameter initialization list (2)

- ① Initial value for the FR-F820-02330(55K) or lower and FR-F840-01160(55K) or lower.
- ② Initial value for the FR-F820-03160(75K) or higher and FR-F840-01800(75K) and higher.
- ③ Setting Pr. 71 "Applied motor" = "213, 214, 243, 244, 8093, 8094, 9093, or 9094" does not change the Pr. 71 setting.
- ④ When a value other than "9999" is set, the set value is not changed.
- ⑤ 110% for SLD, 120% for LD (refer to Pr. 570 "Multiple rating setting" page 5-71).
- ⑥ The Pr. 702 "Maximum motor frequency" is used as the maximum motor frequency (rotations per minute). When Pr. 702 = "9999 (initial value)", the Pr. 84 "Rated motor frequency" is used as the maximum motor frequency (rotations per minute).
- ⑦ The setting value is converted from frequency to rotations per minute. (The value after the conversion differs according to the number of motor poles.)

NOTE

If PM parameter initialization is performed in rotations per minute (Pr. 998 = "12, 14, 8009, or 9009"), the parameters not listed in the table and the monitored items are also set and displayed in rotations per minute.

IPM motor specification list

	MM-EFS (1500 r/min specification) (15 kW or lower)	MM-EFS (1500 r/min specification) (18.5 kW to 55 kW)	MM-THE4 (75 kW to 160 kW)	MM-EFS (3000 r/min specification) (15 kW or lower)
Rated motor frequency (rotations per minute)	75 Hz (1500 r/min)	100 Hz (1500 r/min)	75 Hz (1500 r/min)	150 Hz (3000 r/min)
Maximum motor frequency (rotations per minute)	112.5 Hz (2250 r/min)	150 Hz (2250 r/min)	90 Hz (1800 r/min)	200 Hz (40000 r/min)
Number of motor poles	6	8	6	6
Short-time motor torque	110% for SLD, 120% for LD			
Minimum frequency (rotations per minute)	7.5 Hz (150 r/min)	10 Hz (150 r/min)	7.5 Hz (150 r/min)	15 Hz (300 r/min)
Speed detection hysteresis frequency (rotations per minute)	0.5 Hz (10 r/min)	0.5 Hz (8 r/min)	0.5 Hz (10 r/min)	0.5 Hz (10 r/min)
Overspeed detection level, frequency (rotations per minute)	122.5 Hz (2450 r/min)	160 Hz (2400 r/min)	100 Hz (2000 r/min)	210 Hz (4200 r/min)

Tab. 5-22: IPM motor specification list

5.3 Speed control under PM motor control

Purpose	Parameter to set			Refer to page
To adjust the gain during PM motor control	Speed control gain adjustment	P.G211 to P.G214, P.G311 to P.G314	Pr. 820, Pr. 821, Pr. 824, Pr. 825, Pr. 830, Pr. 831, Pr. 834, Pr.8 35	5-55
To stabilize torque feedback signal	Torque detection filter	P.G216, P.G316	Pr. 827, Pr. 837	5-59

Speed control performs control so that the speed command and the actual motor rotation speed match.

5.3.1 Setting procedure of PM motor control PM

This inverter is set for a general-purpose motor in the initial setting. Follow the following procedure to change the setting for the PM motor control.

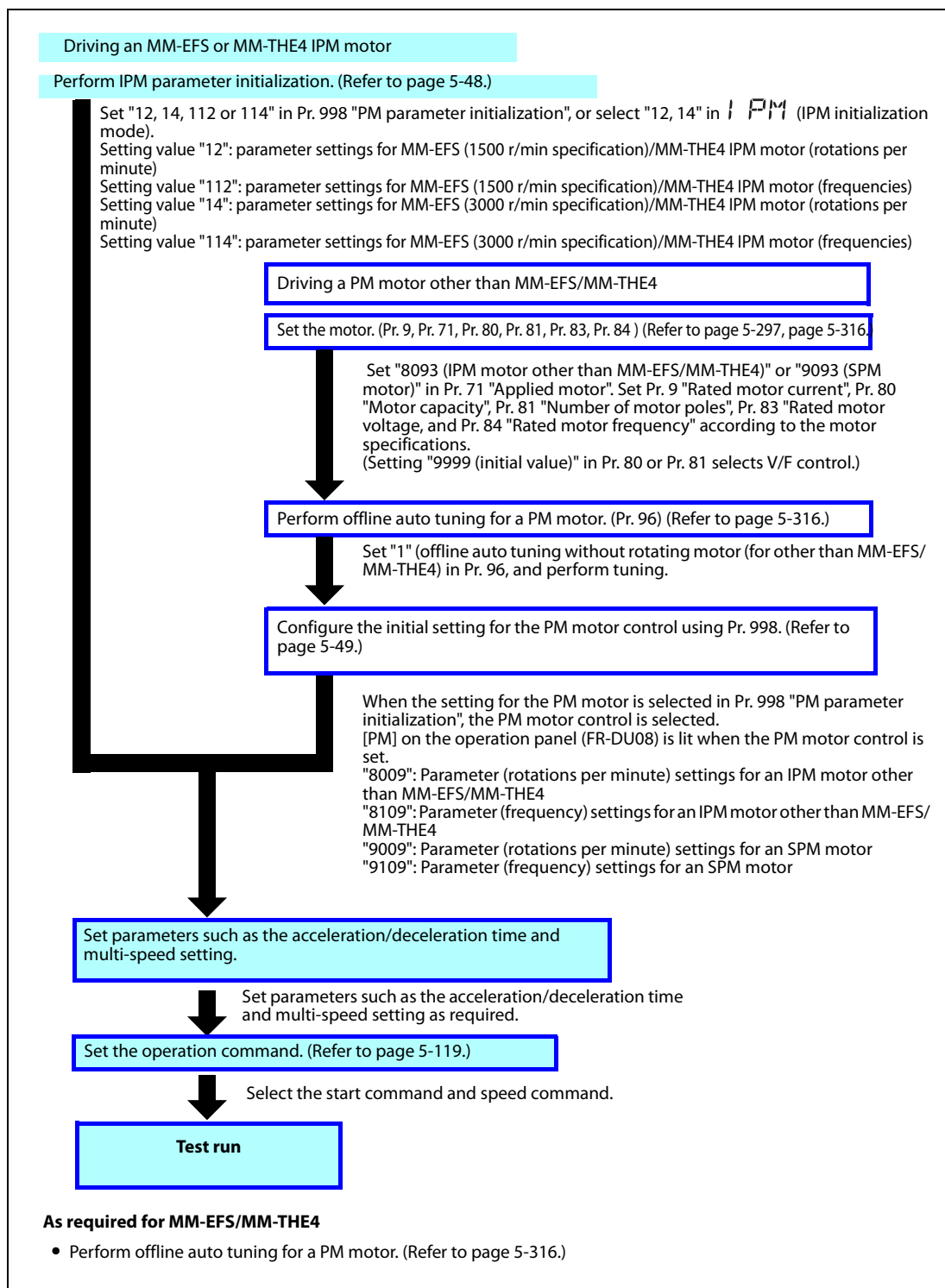


Fig. 5-4: Setting procedure of PM motor control

NOTES

To change to the PM motor control, perform PM parameter initialization at first. If parameter initialization is performed after setting other parameters, some of those parameters will be initialized too. (Refer to page 5-51 for the parameters that are initialized.)

Constant-speed operation cannot be performed in the low-speed range of 150 r/min or less.

During PM motor control, the RUN signal is output about 100 ms after turning ON the start command (STF, STR). The delay is due to the magnetic pole detection.

During PM motor control, the automatic restart after instantaneous power failure function operates only when an MM-EFS or MM-THE4 IPM motor is connected.

When a regeneration unit is used, the frequency search may not be available if the rotation speed is about 10% higher than the rated speed.

5.3.2 Performing high-accuracy, fast-response control (gain adjustment for PM motor control)

Manual gain adjustment is useful for achieving optimum machine performance or improving unfavorable conditions, such as vibration and acoustic noise during operation with high load inertia or gear backlash.

Pr.	Name	Initial value	Setting range	Description
820 G211	Speed control P gain 1	25%	0 to 1000%	The proportional gain during speed control is set. (Setting this parameter higher improves the trackability for speed command changes. It also reduces the speed fluctuation caused by external disturbance.)
821 G212	Speed control integral time 1	0.333 s	0 to 20 s	The integral time during speed control is set. (Setting this parameter lower shortens the return time to the original speed when the speed fluctuates due to external disturbance.)
824 G213	Torque control P gain 1 (current loop proportional gain)	50%	0 to 500%	The proportional gain of the current controller is set.
825 G214	Torque control integral time 1 (current loop integral time)	40 ms	0 to 500 ms	The integral time of the current controller is set.
830 G311	Speed control P gain 2	9999	0 to 1000%	Second function of Pr. 820 (valid when RT signal is ON)
			9999	The Pr. 820 setting is applied to the operation.
831 G312	Speed control integral time 2	9999	0 to 20 s	Second function of Pr. 821 (valid when RT signal is ON)
			9999	The Pr. 821 setting is applied to the operation.
834 G313	Torque control P gain 2	9999	0 to 500%	Second function of Pr. 824 (valid when RT signal is ON)
			9999	The Pr. 824 setting is applied to the operation.
835 G314	Torque control integral time 2	9999	0 to 500 s	Second function of Pr. 825 (valid when RT signal is ON)
			9999	The Pr. 825 setting is applied to the operation.

Adjusting the speed control gain manually

- The speed control gain can be adjusted for the conditions such as abnormal machine vibration, acoustic noise, slow response, and overshoot.
- Pr. 820 "Speed control P gain 1" = "25 % (initial value)" is equivalent to 50 rad/s (speed response of a single motor). (Equivalent to the half the rad/s value with the FR-F820-03160(75K) or higher and FR-F840-01800(75K) or higher.) Setting this parameter higher speeds up the response, but setting this too high causes vibration and acoustic noise.
- Setting Pr. 821 "Speed control integral time 1" lower shortens the return time to the original speed during speed fluctuation, but setting it too low causes overshoot.

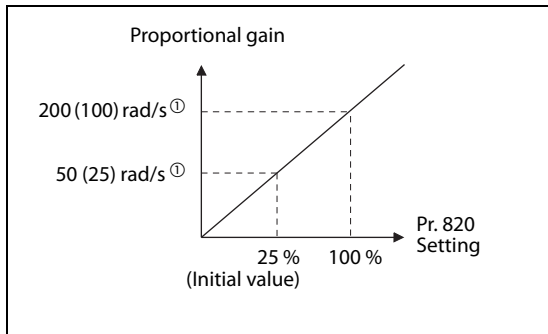
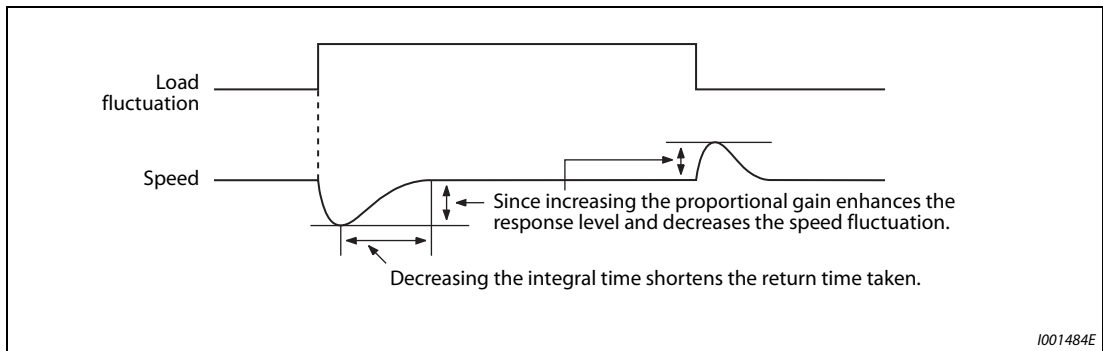


Fig. 5-5:
Setting of the proportional gain

1001483E

① The value in parentheses is applicable with the FR-F820-03160(75K) or higher and FR-F840-01800(75K) or higher.

- Actual speed gain is calculated as below when load inertia is applied.



1001484E

Fig. 5-6: Speed characteristic at load fluctuation

$$\text{Actual speed gain} = \text{Speed gain of a single motor} \times \frac{JM}{JM + JL}$$

JM: Motor inertia

JL: Load inertia converted as the motor axis inertia

● Adjust in the following procedure:

- ① Change the Pr. 820 setting while checking the conditions.
- ② If it cannot be adjusted well, change Pr. 821 setting, and perform ① again.

No.	Movement / condition	Adjustment method
1	Load inertia is high.	Set Pr. 820 and Pr. 821 higher.
		Pr. 820 If acceleration is slow, raise the setting by 10% and set a value that satisfies the following condition: The setting immediately before vibration/noise starts occurring $\times 0.8$ to 0.9 .
		Pr. 821 If overshoots occur, raise the setting by double the setting and set a value that satisfies the following condition: The setting where overshoots stop occurring $\times 0.8$ to 0.9 .
2	Vibration or acoustic noise are generated from machines.	Set Pr. 820 lower and Pr. 821 higher.
		Pr. 820 Lower the setting by 10% and set a value that satisfies the following condition: The setting immediately before vibration/noise starts occurring $\times 0.8$ to 0.9 .
		Pr. 821 If overshoots occur, raise the setting by double the setting and set a value that satisfies the following condition: The setting where overshoots stop occurring $\times 0.8$ to 0.9 .
3	Response is slow.	Set Pr. 820 higher.
		Pr. 820 If acceleration is slow, raise the setting by 5% and set a value that satisfies the following condition: The setting immediately before vibration/noise starts occurring $\times 0.8$ to 0.9 .
4	Return time (response time) is long.	Set Pr. 821 lower.
		Lower Pr. 821 by half the current setting and set a value that satisfies the following condition: The setting immediately before overshoots or unstable movements stop occurring $\times 0.8$ to 0.9 .
5	Overshoots or unstable movements occur.	Set Pr. 821 higher.
		Raise Pr. 821 by double the current setting and set a value that satisfies the following condition: The setting immediately before overshoots or unstable movements stop occurring $\times 0.8$ to 0.9 .

Tab. 5-23: Adjustment procedures for parameter 820 and 821

NOTE

Pr. 830 "Speed control P gain 2" and Pr. 831 "Speed control integral time 2" are valid when terminal RT is ON. In this case, replace them for Pr. 820 and Pr. 821 in the description above.

Gain adjustment of current controllers for the d axis and the q axis

- Use Pr. 824 "Torque control P gain 1 (current loop proportional gain)" to adjust the proportional gain of current controllers for the d axis and the q axis. The 100% gain is equivalent to 1000 rad/s. Setting this parameter higher improves the trackability for current command changes. It also reduces the current fluctuation caused by external disturbances.
- Use Pr. 825 "Torque control integral time 1 (current loop integral time)" to set the integral time of current controllers for the d axis and the q axis. If the setting value is small, it produces current fluctuation against external disturbances, decreasing time until it returns to original current value.

NOTE

Pr. 834 "Torque control P gain 2" and Pr. 835 "Torque control integral time 2" are valid when terminal RT is ON. In this case, replace them for Pr. 824 and Pr. 825 in the description above.

5.3.3 Troubleshooting in the speed control PM

No.	Condition	Cause	Countermeasure
1	Motor does not run at the correct speed. (Command speed and actual speed differ.)	Speed command from the controller is different from the actual speed. The speed command is affected by noise.	<ul style="list-style-type: none"> Check that the speed command sent from the controller is correct. (Take EMC measures.) Set Pr. 72 "PWM frequency selection" lower.
		The command speed and the speed recognized by the inverter are different.	<ul style="list-style-type: none"> Adjust the bias and gain (Pr. 125, Pr. 126, C2 to C7, C12 to C15) of the speed command again.
2	The speed does not accelerate to the command speed.	Torque shortage. The stall prevention operation level is operating.	<ul style="list-style-type: none"> Raise the stall prevention operation level. (Refer to page 5-180.) Increase the capacity.
		Only P (proportional) control is performed.	<ul style="list-style-type: none"> Speed deviation occurs under P (proportional) control when the load is heavy. Select PI control.
3	Motor speed fluctuates.	Speed command varies.	<ul style="list-style-type: none"> Check that the speed command sent from the controller is correct. (Take EMC measures.) Set Pr. 72 "PWM frequency selection" lower. Set Pr. 822 "Speed setting filter 1" higher (page 5-264).
		Torque shortage.	<ul style="list-style-type: none"> Raise the stall prevention operation level. (Refer to page 5-180.)
		Speed control gain is not suitable for the machine. (Resonance occurs.)	<ul style="list-style-type: none"> Adjust Pr. 820 "Speed control P gain 1" and Pr. 821 "Speed control integral time 1".
4	Hunting (vibration or acoustic noise) occurs in the motor or the machine.	Speed control gain is too high.	<ul style="list-style-type: none"> Set Pr. 820 "Speed control P gain 1" lower and Pr. 821 "Speed control integral time 1" higher.
		Torque control gain is too high.	<ul style="list-style-type: none"> Set Pr. 824 "Torque control P gain 1 (current loop proportional gain)" lower.
		Motor wiring is incorrect.	<ul style="list-style-type: none"> Check the wiring.
5	Acceleration/ deceleration time is different from the setting.	Torque shortage.	<ul style="list-style-type: none"> Raise the stall prevention operation level. (Refer to page 5-180.)
		Load inertia is too high.	<ul style="list-style-type: none"> Set acceleration/deceleration time suitable for the load.
6	Machine movement is unstable.	Speed control gain is not suitable for the machine.	<ul style="list-style-type: none"> Adjust Pr. 820 and Pr. 821.
		Response is slow because of the inverter's acceleration/ deceleration time setting.	<ul style="list-style-type: none"> Set the optimum acceleration/deceleration time.
7	Rotation ripple occurs during the low-speed operation.	High carrier frequency is affecting the motor rotation.	<ul style="list-style-type: none"> Set Pr. 72 "PWM frequency selection" lower.
		Speed control gain is too low.	<ul style="list-style-type: none"> Set Pr. 820 "Speed control P gain 1" higher.

Tab. 5-24: Troubleshooting

Parameters referred to			
Pr. 3	Base frequency	=>	page 5-537
Pr. 19	Base frequency voltage	=>	page 5-537
Pr. 72	PWM frequency selection	=>	page 5-88
Pr. 80	Motor capacity	=>	page 5-41
Pr. 81	Number of motor poles	=>	page 5-41
Pr. 125	Terminal 2 frequency setting gain frequency	=>	page 5-266
Pr. 126	Terminal 4 frequency setting gain frequency	=>	page 5-266
Pr. 822	Speed setting filter 1	=>	page 5-264

5.3.4 Torque detection filter

Set the time constant of primary delay filter for torque feedback signal.

Speed loop response is reduced. Under ordinary circumstances, therefore, use the initial value as it is.

Pr.	Name	Initial value	Setting range	Description
827 G216	Torque detection filter 1	0 s	0	Without filter
			0.001 to 0.1 s	Set the time constant of primary delay filter torque feedback signal.
837 G316	Torque detection filter 2	9999	0 to 0.1 s	Second function of Pr. 827 (enabled when RT signal ON)
			9999	Same as Pr. 827 setting

Stabilizing torque detection (Pr. 827, Pr. 837)

Current loop response is reduced. Under ordinary circumstances, therefore, use the initial value as it is. If there is torque ripple due to high frequency disturbance, adjust until speed stabilizes by gradually raising the setting. Speed is oppositely destabilized if the setting value is too large.

Employing multiple primary delay filters

Use Pr. 837 if changing filter according to application. Pr. 837: Second function selection (RT) signal

NOTES

The RT signal is a second function selection signal. The RT signal also enables other second functions. (Refer to page 5-291.)

The RT signal is assigned to the terminal RT in the initial setting. Set "3" in any of Pr. 178 to Pr. 189 (input terminal function selection) to assign the RT signal to another terminal.

5.4 (E) Environment setting parameters

Purpose	Parameter to set			Refer to page
To set the time	Real time clock function	P.E020 to P.E022	Pr. 1006 to Pr. 1008	5-61
To set a limit for the reset function. To shut off output if the operation panel disconnects. To force deceleration to a stop on the operation panel.	Reset selection/ disconnected PU detection/PU stop selection/Reset limit	P.E100 to P.E102, P.E107	Pr. 75	5-63
To select the display language of the parameter unit	PU display language selection	P.E103	Pr. 145	5-67
To control the buzzer of the parameter unit and operation panel	PU buzzer control	P.E104	Pr. 990	5-67
To adjust the LCD contrast of the parameter unit	PU contrast adjustment	P.E105	Pr. 991	5-67
To turn OFF the operation panel when not using it for a certain period of time	Display-off mode	P.E106	Pr.1048	5-68
To use the USB memory	USB host reset	P.E110	Pr. 1049	5-68
To use the setting dial of the operation panel like a potentiometer to set the frequency. To disable the operation panel.	Operation panel operation selection	P.E200	Pr. 161	5-69
To change the frequency change increments which changes when using the setting dial of the operation panel	Frequency change increment amount setting	P.E201	Pr. 295	5-70
To use the regeneration unit to increase the motor braking torque	Regenerative brake selection	P.E300	Pr. 30	5-552
To change the overload current rating specification	Multiple rating setting	P.E301	Pr. 570	5-71
To input a voltage between 480 V and 500 V	Input voltage mode selection	P.E302	Pr. 977	5-72
To prevent parameter rewriting	Parameter write disable selection	P.E400	Pr. 77	5-72
To restrict parameters with a password	Password function	P.E410, P.E411	Pr. 296, Pr. 297	5-76
To use parameters freely	Free parameter	P.E420, P.E421	Pr. 888, Pr. 889	5-80
To change parameter settings for an IPM motor as a batch	PM parameter initialization	P.E430	Pr. 998	5-49
To set multiple parameters as a batch	Automatic parameter setting	P.E431	Pr. 999	5-80
To display the required parameters	Applicable parameter display and user group function	P.E440 to P.E443	Pr. 160, Pr. 172 to Pr. 174	5-85
To release the parameter copy warning (CP)	Parameter copy alarm release	P.E490	Pr. 989	5-571
To reduce the motor noise and EMI	PWM carrier frequency changing	P.E600 to P.E602	Pr. 72, Pr. 240, Pr. 260	5-88
To understand the maintenance time of inverter parts and peripheral device	Inverter parts life display	P.E700 to P.E704	Pr. 255 to Pr. 259	5-91
	Maintenance output function	P.E710 to P.E715	Pr. 503, Pr. 504, Pr. 686 to Pr. 689	5-95
	Current average value monitor signal	P.E720 to P.E722	Pr. 555 to Pr. 557	5-97

5.4.1 Real time clock function

The time can be set. The time can only be updated while the inverter power is ON.

The real time clock function is enabled using an optional LCD operation panel (FR-LU08).

Pr.	Name	Initial value	Setting range	Description
1006 E020	Clock (year)	2000	2000 to 2099	Set the year.
1007 E021	Clock (month, day)	101 (January 1)	101 to 131, 201 to 228, (229), 301 to 331, 401 to 430, 501 to 531, 601 to 630, 701 to 731, 801 to 831, 901 to 930, 1001 to 1031, 1101 to 1130, 1201 to 1231	Set the month and day. 1000 and 100 digits: January to December 10 and 1 digits: 1 to end of month (28, 29, 30 or 31) For December 31, set "1231".
1008 E022	Clock (hour, minute)	0 (00:00)	0 to 59, 100 to 159, 200 to 259, 300 to 359, 400 to 459, 500 to 559, 600 to 659, 700 to 759, 800 to 859, 900 to 959, 1000 to 1059, 1100 to 1159, 1200 to 1259, 1300 to 1359, 1400 to 1459, 1500 to 1559, 1600 to 1659, 1700 to 1759, 1800 to 1859, 1900 to 1959, 2000 to 2059, 2100 to 2159, 2200 to 2259, 2300 to 2359	Set the hour and minute using the 24-hour clock. 1000 and 100 digits: 0 to 23 hours 10 and 1 digits: 0 to 59 minutes For 23:59, set "2359".

Simple clock function

When the year, month, day, time and minute are set in the parameters, the inverter counts the date and time. The date and time can be checked by reading the parameters.

NOTES

The clock's count-up data is saved in the inverter's EEPROM every 10 minutes.

Because the date and time are cleared after turning OFF the control circuit power supply, the clock function must be reset after turning ON the power supply. Use a separate power supply, such as an external 24 V power supply, for the control circuit of the simple clock function, and supply power continuously to this control circuit.

In the initial setting, inverter reset is performed if supplying power to the main circuit is started when power is supplied only to the control circuit. Then, the clock information stored in EEPROM is restored. Reset at the start of supplying power to the main circuit can be disabled by setting Pr. 30 "Regenerative function selection". (Refer to page 5-552.)

The set clock is also used for functions such as faults history.

Real time clock function

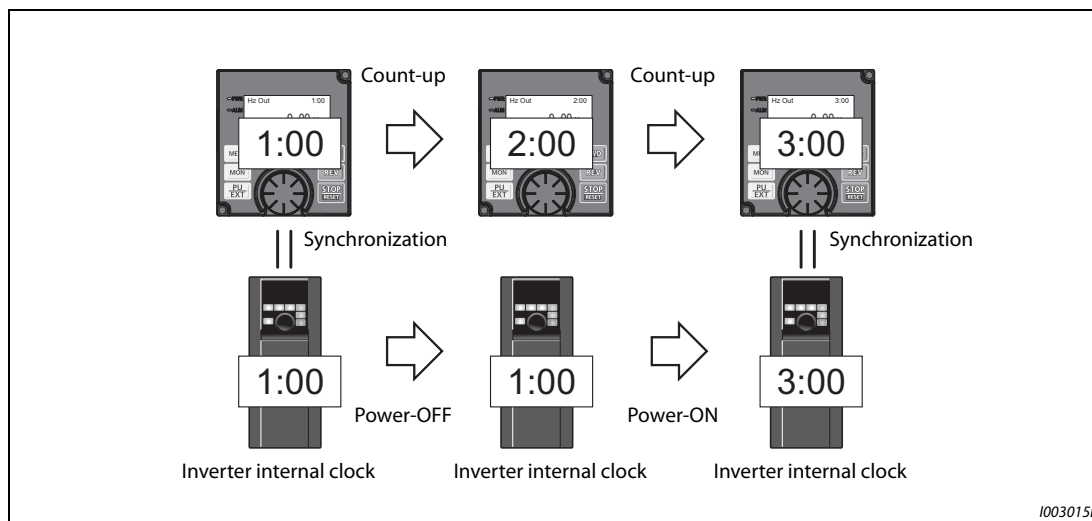


Fig. 5-7: Synchronization of internal clock with FR-LU08 clock

- When the FR-LU08 is connected to the inverter, the internal clock of the inverter can be synchronized with the clock of FR-LU08. (Real time clock function)
With a battery (CR1216), the FR-LU08 time count continues even if the main power of the inverter is turned OFF. (The time count of the inverter internal clock does not continue when the inverter power is turned OFF.)
- To adjust the clock of FR-LU08, use the FR-LU08 and set Pr. 1006 to Pr. 1008.

NOTES

- | Time adjustment between the inverter internal clock and the FR-LU08 is performed every one minute.
- | When the FR-LU08 clock is initialized after the battery is exhausted for example, the inverter internal clock is valid.

5.4.2 Reset selection/disconnected PU detection/PU stop selection




The reset input acceptance, disconnected PU (operation panel/parameter unit) connector detection function and PU stop function (PU stop) can be selected.

Pr.	Name	Initial value	Setting range	Description
75	Reset selection/disconnected PU detection/PU stop selection	14	0 to 3, 14 to 17 ^①	For the initial setting, reset is always enabled, without disconnected PU detection, and with the PU stop function.
			0 to 3, 14 to 17, 100 to 103, 114 to 117 ^②	
E100	Reset selection	0	0	Reset input is always enabled.
			1	Reset input is enabled only when the protective function is activated.
E101	Disconnected PU detection	0	0	Operation continues even when the PU is disconnected.
			1	The inverter output is shut off when the PU is disconnected.
E102	PU stop selection	1	0	Decelerates to a stop when the STOP key is pressed in PU operation mode only.
			1	Decelerates to a stop when the STOP key for PU is pressed in any of the PU, external and communication operation modes.
E107	Reset limit	0	0	Reset limit disabled
			1 ^②	Reset limit enabled

The parameters above will not return to their initial values even if parameter (all) clear is executed.

① The setting range for the FR-F820-02330(55K) or lower and FR-F840-01160(55K) or lower.

② The setting range for the FR-F820-03160(75K) or higher and FR-F840-01800(75K) or higher.

Pr. 75 Setting ^①	Reset selection	Disconnected PU detection	PU stop selection
0, 100	Reset input always enabled	Operation continues even when PU is disconnected.	Decelerates to a stop when  is input in PU operation mode only.
1, 101	Reset input enabled only when protective function activated		
2, 102	Reset input always enabled	Inverter output shut off when PU disconnected.	Decelerates to a stop when  is input in any of the PU, external and communication operation modes.
3, 103	Reset input enabled only when protective function activated		
14 (Initial value), 114	Reset input always enabled	Operation continues even when PU is disconnected.	Decelerates to a stop when  is input in any of the PU, external and communication operation modes.
15, 115	Reset input enabled only when protective function activated		
16, 116	Reset input always enabled	Inverter output shut off when PU disconnected.	
17, 117	Reset input enabled only when protective function activated		

Tab. 5-25: Setting of parameter 75

① Setting Pr. 75 = any of "100 to 103 and 114 to 117" will enable the reset limit function. The setting is available for the FR-F820-03160(75K) or higher and FR-F840-01800(75K) or higher

Reset selection (P.E100)

When P.E100 = "1" or Pr. 75 = "1, 3, 15, 17, 100, 103, 115, or 117" is set, reset (reset command via RES signal or communication) input is enabled only when the protective function is activated.

NOTES

When the reset signal (RES) is input during operation, the motor coasts since the inverter being reset shuts off the output. Also, the cumulative values of electronic thermal O/L relay are cleared.

The input of the PU reset key is only enabled when the protective function is activated, regardless of the P.E100 and Pr. 75 settings.

Disconnected PU detection (P.E101)

If the PU (FR-DU08/FR-PU07) is detected to be disconnected from the inverter for 1 s or longer while P.E101 = "1" or Pr. 75 = "2, 3, 16, 17, 102, 103, 116, or 117", PU disconnection (E.PUE) is displayed and the inverter output is shut off.

NOTES



When the PU has been disconnected since before power-ON, the output is not shut off.

To restart, confirm that the PU is connected and then reset.


When P.E101 = "0" or Pr. 75 = "0, 1, 14, 15, 100, 101, 114, or 115" (operation continues even when PU disconnected), decelerates to a stop when PU is disconnected during PU JOG operation.

When RS-485 communication operation is performed through the PU connector, the reset selection/PU stop selection function is valid but the disconnected PU detection function is invalid. (The communication is checked according to Pr. 122 "PU communication check time interval".)



PU stop selection (P.E102)

- Stop can be performed by inputting  from the PU in any of the operation modes of PU operation, External operation and network operation.
- When stop is performed by the PU stop function, "PS" is displayed on the PU. A fault output is not provided.
- When P.E102 = "0" or Pr. 75 = "0 to 3, 100 to 103" is set, deceleration stop using  is valid only in the PU operation mode.

NOTE

When Pr. 551 "PU mode operation command source selection" = "1" (PU mode RS-485 terminal), deceleration stop is performed even when  is input during operation in PU mode via RS-485 communication.

How to restart after stopping with input from the PU during External operation (PU stop (PS) release method)

- PU stop release method for operation panel (FR-DU08)
 - ① After completion of deceleration to a stop, switch OFF the STF and STR signal.
 - ② Press PU/EXT key three times. ( release)
(When Pr. 79 "Operation mode selection" = "0 (initial value) or 6")
When Pr. 79 = "2, 3, or 7", PU stop can be released by pressing one time.
- PU stop release method for parameter unit (FR-PU07)
 - ① After completion of deceleration to a stop, switch OFF the STF or STR signal.
 - ② Press EXT key. ( release)

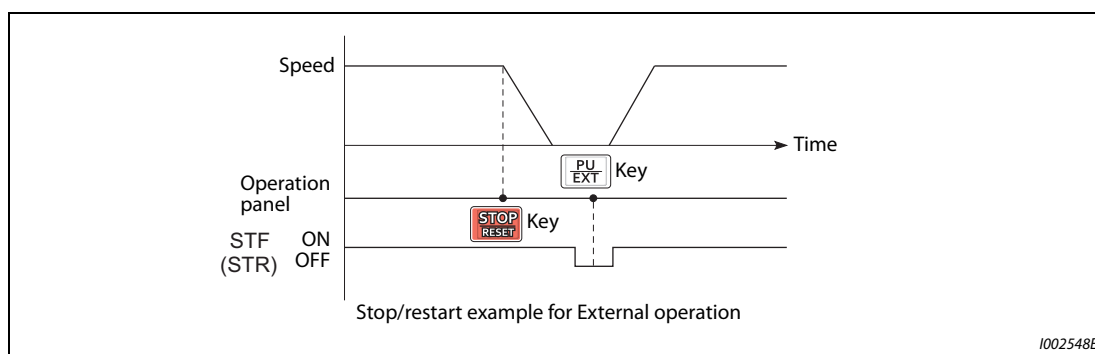


Fig. 5-8: Stop during external operation

- The motor can be restarted by resetting the power supply or resetting with a RES signal.

NOTE

Even when Pr. 250 "Stop selection" \neq "9999" is set and coasting stop is selected, deceleration stop and not coasting stop is performed in the PU stop function during External operation.

Reset limit function (P.E107)

- When P.E107 = "1" or Pr. 75 = any of "100 to 103 and 114 to 117", if an electronic thermal O/L relay or an overcurrent protective function (E.THM, E.THT, E.OC[]) is activated while one of them has been already activated within 3 minutes, the inverter will not accept any reset command (RES signal, etc.) for about 3 minutes from the second activation.
- The reset limit function is available with the FR-F820-03160(75K) or higher and FR-F840-01800(75K) or higher.

NOTES

Resetting the inverter power (turning OFF the control power) will clear the accumulated thermal value.

When the retry function is set enabled (Pr. 67 "Number of retries at fault occurrence" \neq "0"), the reset limit function is disabled.

**CAUTION:**

Do not perform a reset while a start signal is being input. Doing so will cause a sudden start of the motor, which is dangerous.

Parameters referred to

Pr. 67	Number of retries at fault occurrence	=>	page 5-164
Pr. 79	Operation mode selection	=>	page 5-119
Pr. 250	Stop selection	=>	page 5-293
Pr. 551	PU mode operation command source selection	=>	page 5-130

5.4.3 PU display language selection

The display language of the parameter unit (FR-PU07) can be selected.

Pr.	Name	Initial value	Setting range	Description
145 E103	PU display language selection	—	0	Japanese
			1	English
			2	German
			3	French
			4	Spanish
			5	Italian
			6	Swedish
			7	Finnish

5.4.4 Buzzer control

The buzzer can be set to "beep" when the keys of the operation panel and the parameter unit are operated.

Pr.	Name	Initial value	Setting range	Description
990 E104	PU buzzer control	1	0	Without buzzer
			1	With buzzer

NOTE

When with buzzer is set, the buzzer sounds if an inverter fault occurs.

5.4.5 PU contrast adjustment

Contrast adjustment of the LCD of the LCD operation panel (FR-LU08) and of the parameter unit (FR-PU07) can be performed.

Decreasing the setting value lowers the contrast.

Pr.	Name	Initial value	Setting range	Description
991 E105	PU contrast adjustment	58	0 to 63	0: Low → 63: High

The above parameter is displayed as a simple mode parameter only when the LCD operation panel (FR-LU08) and the parameter unit (FR-PU07) is connected.

5.4.6 Display-off mode

The LED of the operation panel (FR-DU08) can be turned OFF when it has not been operated for a certain period of time.

Pr.	Name	Initial value	Setting range	Description
1048 E106	Display-off waiting time	0	0	Display-off mode disabled
			1 to 60 min	Set time until the LED of the operation panel is turned OFF.

- If the operation panel has not been operated for the time set in Pr. 1048, the display-off mode is enabled and its LED is turned OFF.
- In the display-off mode, the "MON" LED flickers slowly.
- The count to display off is reset at installation/removal of the operation panel, power-ON/OFF of the inverter, or inverter reset.
- Display-off mode end condition
 - Operation of the operation panel
 - Occurrence of a warning, alarm, or fault
 - Installation/removal of the operation panel, power-ON/OFF of the inverter, or inverter reset
 - Connection/disconnection of the USB A connector

NOTE

The "P.RUN" LED is on in the display-off mode (when the PLC function is operating).

5.4.7 Resetting USB host errors

When a USB device is connected to the USB connector (connector A), the USB host error can be cancelled without performing an inverter reset.

Pr.	Name	Initial value	Setting range	Description
1049 E110	USB host reset	0	0	Read only
			1	Resets the USB host.

- Parameter copy (refer to page 5-571) and the trace function (refer to page 5-443) can be used when a USB device (such as a USB memory) is connected to the USB connector (connector A).
- When a device such as a USB charger is connected to the USB connector and an excessive current (500 mA or higher) flows, USB host error UF (UF warning) is displayed on the operation panel.
- If a UF warning occurs, disconnect the USB device and set Pr. 1049 = "1" to cancel the USB error. (The UF warning can also be cancelled by resetting the inverter power or resetting with the RES signal.)

5.4.8 Setting dial potentiometer mode/key lock operation selection

The setting dial of the operation panel (FR-DU08) can be used for setting like a potentiometer. The key operation of the operation panel can be disabled.

Pr.	Name	Initial value	Setting range	Description
161 E200	Frequency setting/key lock operation selection	0	0	Setting dial frequency setting mode
			1	Setting dial potentiometer mode
			10	Setting dial frequency setting mode
			11	Setting dial potentiometer mode
				Key lock mode disabled
				Key lock mode enabled

Using the setting dial like a potentiometer to set the frequency

The frequency can be set by simply turning the setting dial of the operation panel (FR-DU08) during operation.

The SET key needs not to be pressed. (For the details of the operation method, refer to page 4-15.)

NOTES

If the display changes from flickering "60.00" to "0.00", the setting value of Pr. 161 may not be "1".

The newly-set frequency will be saved as the set frequency in EEPROM after 10 s.

When setting the frequency by turning the setting dial, the frequency goes up to the set value of Pr. 1 "Maximum frequency" (initial value: 200 Hz). Be aware of what frequency Pr. 1 is set to, and adjust the setting of Pr. 1 according to the application.

Disabling the setting dial and key operation of the operation panel (Press and hold [MODE] (2 s))

- Operation using the setting dial and keys of the operation panel can be disabled to prevent parameter changes, unexpected starts or frequency changes.
- Set Pr. 161 to "10 or 11" and then press MODE key for 2 s to disable setting dial or key operations.
- When setting dial and key operations are disabled, **LOCd** appears on the operation panel. If setting dial or key operation is attempted while dial and key operations are disabled, **LOCd** appears. (When a setting dial or key operation is not performed for 2 s, the monitor display appears.)
- To enable the setting dial and key operation again, press MODE key for 2 s.

NOTES

Even if setting dial and key operations are disabled, the monitor indicator and STOP/RESET key are enabled.

The PU stop cannot be released with key operations unless the operation lock is released first.

Parameters referred to		
Pr. 1	Maximum frequency	=> page 5-176

5.4.9 Frequency change increment amount setting

When setting the set frequency with the setting dial of the operation panel (FR-DU08), the frequency changes in 0.01 Hz increments in the initial status. Setting this parameter to increase the frequency increment amount that changes when the setting dial is rotated can improve usability.

Pr.	Name	Initial value	Setting range	Description
295 E201	Frequency change increment amount setting	0	0	Function invalid
			0.01	The minimum change width when the set frequency is changed with the setting dial can be set.
			0.10	
			1.00	
			10.00	

Basic operation

When Pr. 295 ≠ "0" is set, the minimum increment when the set frequency is changed with the setting dial can be set.

For example, when Pr. 295 = "1.00 Hz" is set, one click (one dial gauge) of the setting dial changes the frequency in increments of 1.00 Hz, such as 1.00 Hz → 2.00 Hz → 3.00 Hz.

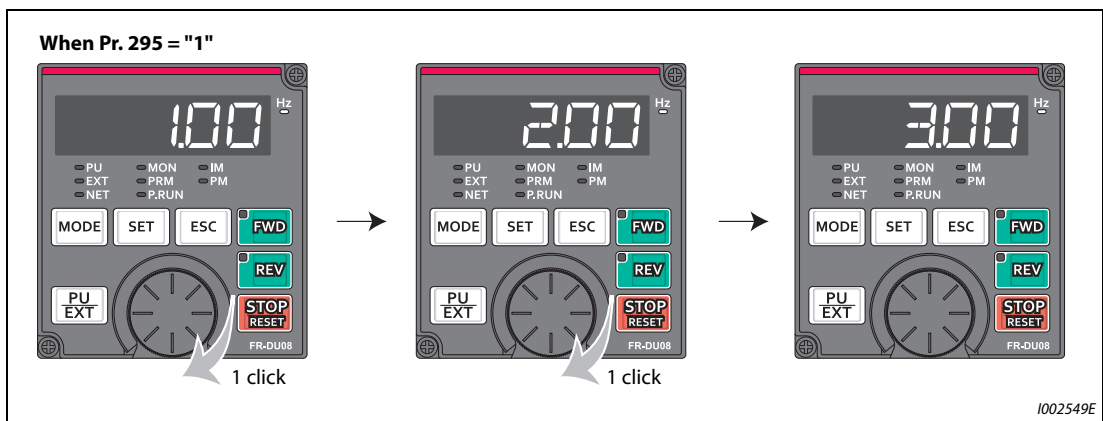


Fig. 5-9: Magnitude when parameter 295 is set to "1.00"

NOTES

When machine speed display is selected in Pr. 37 "Speed display", the minimum increments of change are determined by Pr. 295 as well. Note that the setting value may differ because the speed setting performs frequency conversion for the set machine speed, and then reverse-converts it to the speed display again.

For Pr. 295, the increments are not displayed.

The Pr. 295 setting is enabled only for changes to the set frequency. It does not apply to the settings of other parameters related to frequency.

When 10 is set, the frequency setting changes in 10 Hz increments. Be cautious of excessive speed (in potentiometer mode).

Parameters referred to		
Pr. 37	Speed display	=> page 5-196

5.4.10 Multiple rating setting

Two rating types of different rated current and permissible load can be selected. The optimal inverter rating can be chosen in accordance with the application, enabling equipment size to be reduced.

Pr.	Name	Initial value		Setting range	Description (overload current rating, surrounding air temperature)
		FM	CA		
570 E301	Multiple rating setting	1	0	0	SLD rating 110% 60 s, 120% 3 s (inverse-time characteristics) Surrounding air temperature 40 °C
				1	LD rating 120% 60 s, 150% 3 s (inverse-time characteristics) Surrounding air temperature 50 °C

Changing the parameter initial values and setting ranges

- When inverter reset and all parameter clear are performed after setting Pr. 570, the parameter initial values are changed according to each rating, as shown below.

Pr.	Name	Pr. 570 setting		Refer to
		0	1	
9	Electronic thermal O/L relay	SLD rated current ^①	LD rated current ^①	5-150
22	Stall prevention operation level	110%	120%	5-180
48	Second stall prevention operation level	110%	120%	5-180
56	Current monitoring reference	SLD rated current ^①	LD rated current ^①	5-211
148	Stall prevention level at 0 V input	110%	120%	5-180
149	Stall prevention level at 10 V input	120%	150%	5-180
150	Output current detection level	110%	120%	5-244
165	Stall prevention operation level for restart	110%	120%	5-415
557	Current average value monitor signal output reference current	SLD rated current ^①	LD rated current ^①	5-97
874	OLT level setting	110%	120%	5-180
893	Energy saving monitor reference (motor capacity)	SLD rated motor capacity ^①	LD rated motor capacity ^①	5-60

Tab. 5-26: Influence of Pr. 570 on other parameters

- ^① The rated current and motor capacity differ depending on the inverter capacity. Refer to the inverter rated specifications (page 8-1).

NOTES

When Pr. 570 = "0" (SLD rating), carrier frequency automatic reduction is enabled regardless of the setting in Pr. 260 "PWM frequency automatic switchover".

Parameters referred to		
Pr. 260	PWM frequency automatic switchover	=> page 5-88

5.4.11 Using the power supply exceeding 480 V

To input a voltage between 480 V and 500 V to the 400 V class inverter, change the voltage protection level.

Pr.	Name	Initial value	Setting range	Description
977 E302	Input voltage mode selection	0	0	400 V class voltage protection level
			1	500 V class voltage protection level

- To use a voltage between 480 V and 500 V, set Pr. 977 "Input voltage mode selection" = "1". The setting is applied after a reset.
- Setting Pr. 977 = "1" will change the voltage protection level to the one for the 500 V class.
- The increased magnetic excitation deceleration level is changed to 740 V. (Use Pr. 660 "Increased magnetic excitation deceleration operation selection" to select the increased magnetic excitation deceleration.)

NOTES

Stand-alone options (except line noise filter) cannot be used when inputting a voltage between 480 and 500 V.

The voltage protection level of the 200 V class inverters is not affected by the Pr. 977 setting.

Parameters referred to			
Pr. 660	Increased magnetic excitation deceleration operation selection	=>	page 5-564

5.4.12 Parameter write selection

Whether to enable the writing to various parameters or not can be selected. Use this function to prevent parameter values from being rewritten by misoperation.

Pr.	Name	Initial value	Setting range	Description
77 E400	Parameter write selection	0	0	Writing is enabled only during stop.
			1	Parameter writing is disabled.
			2	Parameter writing is enabled in any operation mode regardless of the operation status.

Pr. 77 can be set at any time regardless of the operation mode or operation status. (Setting through communication is unavailable.)

Writing parameters only during stop (Pr. 77 = "0" initial value)

- Parameters can be written only during a stop in the PU operation mode.
- The following parameters can always be written regardless of the operation mode or operation status.

Pr.	Name	Pr.	Name
4 to 6	(Multi-speed setting high-speed, middle-speed, low-speed)	551 ②	PU mode operation command source selection
22	Stall prevention operation level	555 to 557	(Current average value monitor)
24 to 27	(Multi-speed setting speed 4 to speed 7)	656 to 659	(Analog remote output)
52	Operation panel main monitor selection	663	Control circuit temperature signal output level
54	FM/CA terminal function selection	755 to 758	(Second PID control)
55	Frequency monitoring reference	759	PID unit selection
56	Current monitoring reference	774 to 776	(PU/DU monitor selection)
72 ①	PWM frequency selection	866	Torque monitoring reference
75	Reset selection/disconnected PU detection/PU stop selection	888, 889	(Free parameter)
77	Parameter write selection	891 to 899	(Energy saving monitor)
79 ②	Operation mode selection	C0 (900)	FM/CA terminal calibration
129	PID proportional band	C1 (901)	AM terminal calibration
130	PID integral time	C8 (930)	Current output bias signal
133	PID action set point	C9 (930)	Current output bias current
134	PID differential time	C10 (931)	Current output gain signal
158	AM terminal function selection	C11 (931)	Current output gain current
160	User group read selection	990	PU buzzer control
232 to 239	(Multi-speed setting speed 8 to speed 15)	991	PU contrast adjustment
240 ①	Soft-PWM operation selection	992	Operation panel setting dial push monitor selection
241	Analog input display unit switchover	997	Fault initiation
268	Monitor decimal digits selection	998 ②	PM parameter initialization
290	Monitor negative output selection	999 ②	Automatic parameter setting
295	Frequency change increment amount setting	1006	Clock (year)
296, 297	(Password setting)	1007	Clock (month, day)
306	Analog output signal selection	1008	Clock (hour, minute)
310	Analog meter voltage output selection	1019	Analog meter voltage negative output selection
340 ②	Communication startup mode selection	1048	Display-off waiting time
345, 346	(DeviceNet communication)	1142	Second PID unit selection
416, 417	(PLC function)	1150 to 1199	(PLC function user parameters)
434, 435	(CC-Link communication)	1211 to 1219	(PID gain tuning)
496, 497	(Remote output)	1460 to 1466	(PID multistage set points 1 to 7)
498	PLC function flash memory clear	1480 to 1485	(Load characteristics fault detection)
550 ②	NET mode operation command source selection		

Tab. 5-27: Parameters, that can always be written regardless of the operation mode or operation status

- ① Writing during operation is enabled in PU operation mode, but disabled in External operation mode.
- ② Writing during operation is disabled. To change the parameter setting value, stop the operation.

Disabling parameter write (Pr. 77 = "1")

- Parameter write, parameter clear and all parameter clear are disabled. (Parameter read is enabled.)
- The following parameters can be written even if Pr. 77 = "1".

Pr.	Name	Pr.	Name
22	Stall prevention operation level	297	Password lock/unlock
75	Reset selection/disconnected PU detection/PU stop selection	345, 346	(DeviceNet communication)
77	Parameter write selection	496, 497	(Remote output)
79 ^①	Operation mode selection	656 to 659	(Analog remote output)
160	User group read selection	997	Fault initiation
296	Password lock level		

Tab. 5-28: Parameters, that can be written even if Pr. 77 = 1

- ① Writing during operation is disabled. To change the parameter setting value, stop the operation.

Writing parameters during operation (Pr. 77 = "2")

- These parameters can always be written.
- The following parameters cannot be written during operation if Pr. 77 = "2". To change the parameter setting value, stop the operation.

Pr.	Name	Pr.	Name
23	Stall prevention operation level compensation factor at double speed	454	Number of second motor poles
48	Second stall prevention operation level	455	Second motor excitation current
49	Second stall prevention operation frequency	456	Rated second motor voltage
60	Energy saving control selection	457	Rated second motor frequency
66	Stall prevention operation reduction starting frequency	458 to 462	(Second motor constant)
71	Applied motor	463	Second motor auto tuning setting/status
79	Operation mode selection	541	Frequency command sign selection (CC-Link)
80	Motor capacity	560	Second frequency search gain
81	Number of motor poles	561	PTC thermistor protection level
82	Motor excitation current	570	Multiple rating setting
83	Rated motor voltage	574	Second motor online auto tuning
84	Rated motor frequency	578	Auxiliary motor operation selection
90 to 94	(Motor constant)	579	Motor connection function selection
95	Online auto tuning selection	598	Undervoltage level
96	Auto tuning setting/status	606	Power failure stop external signal input selection
135 to 139	(Electronic bypass sequence parameter)	660, 661, 662	(Increased magnetic excitation deceleration)
178 to 196	(Input and output terminal function selection)	673	SF-PR slip amount adjustment operation selection
248	Self power management selection	699	Input terminal filter
254	Main circuit power OFF waiting time	702	Maximum motor frequency
261	Power failure stop selection	706, 707, 711, 712, 717, 721, 724, 725	(PM motor tuning)
289	Inverter output terminal filter	738 to 746	(Second PM motor tuning)
291	Pulse train I/O selection	800	Control method selection
298	Frequency search gain	858	Terminal 4 function assignment
313 to 322	(Extended output terminal function selection)	859	Torque current/Rated PM motor current
329	Digital input unit selection	860	Second motor torque current/Rated PM motor current
414	PLC function operation selection	868	Terminal 1 function assignment
415	Inverter operation lock mode setting	977	Input voltage mode selection
418	Extension output terminal filter	998	PM parameter initialization
450	Second applied motor	999	Automatic parameter setting
453	Second motor capacity	1002	Lq tuning target current adjustment coefficient

Tab. 5-29: Parameters, that cannot be written during operation

5.4.13 Password function

Registering a 4-digit password can restrict parameter reading/writing.

Pr.	Name	Initial value	Setting range	Description
296 E410	Password lock level	9999	0 to 6, 99, 100 to 106, 199	Select restriction level of parameter reading/writing when a password is registered.
			9999	No password lock
297 E411	Password lock/unlock	9999	1000 to 9998	Register a 4-digit password
			(0 to 5) ①	Displays password unlock error count. (Reading only) (Valid when Pr. 296 = "100 to 106, or 199")
			9999 ①	No password lock

The above parameters can be set when Pr. 160 "User group read selection" = "0". However, when Pr. 296 ≠ 9999 (password lock is set), Pr. 297 can always be set, regardless of the setting in Pr. 160.

① When Pr. 297 = "0, 9999", writing is always enabled, but setting is disabled. (The display cannot be changed.)

Parameter reading/writing restriction level (Pr. 296)

The level of the reading/writing restriction using the PU/Network (NET) operation mode operation command can be selected with Pr. 296.

Pr. 296 setting	PU operation mode operation command ③		NET operation mode operation command ④			
			RS-485 terminals / PLC function ⑦		Communication option	
	Read ①	Write ②	Read	Write ②	Read	Write ②
9999	○	○	○	○	○	○
0, 100 ⑥	×	×	×	×	×	×
1, 101	○	×	○	×	○	×
2, 102	○	×	○	○	○	○
3, 103	○	○	○	×	○	×
4, 104	×	×	×	×	○	×
5, 105	×	×	○	○	○	○
6, 106	○	○	×	×	○	×
99 to 199	Only the parameters registered in the user group can be read/written. ⑤ (For the parameters not registered in the user group, same restriction level as "4, 104" applies.)					

○: Enabled, ×: Disabled

Tab. 5-30: Level of password lock and reading/writing restriction

- ① If the parameter reading is restricted by the Pr. 160 "User group read selection" setting, those parameters are unavailable for reading even when "○" is indicated.
- ② If the parameter writing is restricted by the Pr. 77 "Parameter write selection" setting, those parameters are unavailable for writing even when "○" is indicated.
- ③ This restricts parameter access from the command source that can write a parameter under the PU operation mode (initially the operation panel (FR-DU08) or the parameter unit). (For the PU operation mode command source selection, refer to page 5-130.)
- ④ This restricts parameter access from the command source that can write a parameter under the Network operation mode (initially the RS-485 terminals or a communication option). (For the NET operation mode command source selection, refer to page 5-130.)
- ⑤ Read/write is enabled only for the simple mode parameters registered in the user group when Pr. 160 = "9999". Pr. 296 and Pr. 297 are always read/write enabled whether registered to a user group or not.

- ④ If a communication option is installed, an option fault Option fault (E.OPT) occurs, and the inverter output shuts off. (Refer to page 6-25.)
- ⑦ The PLC function user parameters (Pr. 1150 to Pr. 1199) can be written and read by the PLC function regardless of the Pr. 296 setting.

Registering a password (Pr. 296, Pr. 297)

The following section describes how to register a password.

- ① Set the parameter reading/writing restriction level. (Pr. 296 ≠ "9999")

Pr. 296 setting	Password unlock error restriction	Pr. 297 display
0 to 6, 99	No restriction	Always displays 0
100 to 106, 199 ^①	Restricted at fifth error	Displays the error count (0 to 5)

- ① During Pr. 296 = any of "100 to 106, 199", if password unlock error has occurred 5 times, correct password will not unlock the restriction. All parameter clear can unlock the restriction. (In this case, the parameters are returned to their initial values.)
- ② Write a four-digit number (1000 to 9998) in Pr. 297 as a password. (Writing is disabled when Pr. 296 = "9999".) When a password is registered, parameter reading/writing is restricted with the restriction level set in Pr. 296 until unlocking.

NOTES

After registering a password, the read value of Pr. 297 is always one of "0 to 5".

LOCd appears when a password restricted parameter is read/written.

Even if a password is registered, the parameters, which the inverter itself writes, such as inverter parts life are overwritten as needed.

Even if a password is registered, reading/writing is enabled for Pr. 991 "PU contrast adjustment" when the parameter unit (FR-PU07) is connected.

Unlocking a password (Pr. 296, Pr. 297)

There are two ways of unlocking the password.

- Enter the password in Pr. 297. If the password matches, it unlocks. If the password does not match, an error occurs and the password does not unlock. When any of "100 to 106, or 199" is set in Pr. 296 and a password unlock error occurs five times, the restriction will not be unlocked even if the correct password is subsequently input. (Password lock in operation.)
- Perform all parameter clear.

NOTES

If the password is forgotten, it can be unlocked with all parameter clear, but doing so will also clear the other parameters.

All parameter clear cannot be performed during the operation.

During the conditions where parameter reading is disabled (Pr. 296 = any of "0, 4, 5, 99, 100, 104, 105, or 199"), do not use FR Configurator2. It may not operate correctly.

The password unlocking method differs between the operation panel, parameter unit, RS-485 communication and communication option.

	Operation panel/ parameter unit	RS-485 communication	Communication option
All parameter clear	○	○	○
Parameter clear	×	×	○

○: Password can be unlocked, ×: Password cannot be unlocked

For the parameter clear and parameter all clear methods for the communication option and parameter unit, refer to the Instruction Manual of each option. (For the operation panel (FR-DU08), refer to page 5-568, for the Mitsubishi inverter protocol of RS-485 communication, refer to page 5-469, and for the MODBUS® RTU communication protocol, refer to page 5-488.)

Parameter operations during password locking/unlocking

Operation		Password unlocked		Password locked	Password lock in operation
		Pr. 296 = 9999 Pr. 297 = 9999	Pr. 296 ≠ 9999 Pr. 297 = 9999	Pr. 296 ≠ 9999 Pr. 297 = 0 to 4 (read value)	Pr. 296 = 100 to 106, 199 Pr. 297 = 5 (read value)
Pr. 296	Read	○ ^①	○	○	○
	Write	○ ^①	○ ^①	×	×
Pr. 297	Read	○ ^①	○	○	○
	Write	×	○	○	○
Parameter clear execution		○	○	× ^④	× ^④
All parameter clear execution		○	○	○ ^②	○ ^②
Parameter copy execution		○	○	×	×

○: Enabled, ×: Disabled

Tab. 5-31: Parameter operation during password lock/unlock

- ① Reading/writing is disabled if reading is restricted by the Pr. 160 setting. (Reading is available in the Network operation mode regardless of the Pr. 160 setting.)
- ② All parameter clear cannot be performed during the operation.
- ③ Correct password will not unlock the restriction.
- ④ Parameter clear can only be performed from the communication option.

NOTES

When Pr. 296 = "4, 5, 104, or 105" (password lock), the setting screen for PU JOG frequency is not displayed in the parameter unit (FR-PU07).

When the password is being locked, parameter copy using the operation panel, parameter unit and USB memory is not enabled.

Parameters referred to			
Pr. 77	Parameter write selection	=>	page 5-72
Pr. 160	User group read selection	=>	page 5-85
Pr. 550	NET mode operation command source selection	=>	page 5-130
Pr. 551	PU mode operation command source selection	=>	page 5-130

5.4.14 Free parameter

Any number within the setting range of 0 to 9999 can be input.

For example, these numbers can be used:

- As a unit number when multiple units are used.
- As a pattern number for each operation application when multiple units are used.
- As the year and month of introduction or inspection.

Pr.	Name	Initial value	Setting range	Description
888 E420	Free parameter 1	9999	0 to 9999	Any value can be input. The settings are retained even if the inverter power is turned OFF.
889 E421	Free parameter 2	9999	0 to 9999	

NOTE

Pr. 888 and Pr. 889 do not influence the operation of the inverter.

5.4.15 Setting multiple parameters as a batch

Parameter settings are changed as a batch. Those include communication parameter settings for the Mitsubishi's human machine interface (GOT) connection and the parameter setting for the rated frequency settings of 50 Hz/60 Hz and acceleration/deceleration time.

Multiple parameters are changed automatically. Users do not have to consider each parameter number. (Automatic parameter setting mode)

Pr.	Name	Initial value	Setting range	Description	
999 E431	Automatic parameter setting	9999 ^①	1	Standard PID display setting	
			2	Extended PID display setting	
			10	GOT initial setting (PU connector)	"Controller Type" in GOT: FREQROL 500/700/800, SENSORLESS SERVO
			11	GOT initial setting (RS-485 terminals)	
			12	GOT initial setting (PU connector)	"Controller Type" in GOT: FREQROL 800 (Automatic Negotiation)
			13	GOT initial setting (RS-485 terminal)	
			20	50 Hz rated frequency	
			21	60 Hz rated frequency	
			9999	No action	

^① The read value is always "9999".

Automatic parameter setting (Pr. 999)

Select which parameters to automatically set from the table below, and set them in Pr. 999. Multiple parameter settings are changed automatically. Refer to page 5-83 for the list of parameters that are changed automatically.

Pr. 999 Setting	Description	Operation in the automatic parameter setting mode
1	Sets the standard monitor indicator setting of PID control.	<i>AUTO</i> (AUTO) → <i>PI d</i> (PID) → Write "1"
2	Automatically sets the monitor indicator for PID control.	<i>AUTO</i> (AUTO) → <i>PI d</i> (PID) → Write "2"
10	Automatically sets the communication parameters for the GOT connection with a PU connector ("Controller Type" in GOT: FREQROL 500/700/800, SENSORLESS SERVO)	<i>AUTO</i> (AUTO) → <i>GOT</i> (GOT) → Write "1"
11	Automatically sets the communication parameters for the GOT connection with RS-485 terminals ("Controller Type" in GOT: FREQROL 500/700/800, SENSORLESS SERVO)	—
12	Automatically sets the communication parameters for the GOT connection with a PU connector ("Controller Type" in GOT: FREQROL 800 (Automatic Negotiation))	<i>AUTO</i> (AUTO) → <i>GOT</i> (GOT) → Write "2"
13	Automatically sets the communication parameters for the GOT connection with RS-485 terminals ("Controller Type" in GOT: FREQROL 800 (Automatic Negotiation))	—
20	50 Hz rated frequency	<i>AUTO</i> (AUTO) → <i>F50</i> (F50) → Write "1"
21	60 Hz rated frequency	
	Sets the related parameters of the rated frequency according to the power supply frequency	—

Tab. 5-32: Automatic parameter setting

NOTE

If the automatic setting is performed with Pr. 999 or the automatic parameter setting mode, the settings including the changed parameter settings (changed from the initial setting) will be automatically changed. Before performing the automatic setting, confirm that changing the parameters will not cause any problem.

PID monitor indicator setting (Pr. 999 = "1 or 2")

Pr.	Name	Initial value	Pr. 999 = "1"	Pr. 999 = "2"	Refer to page
759	PID unit selection	9999	9999	4	5-381
1142	Second PID unit selection	9999	9999	4	
774	Operation panel monitor selection 1	9999	9999	52	5-198
775	Operation panel monitor selection 2	9999	9999	53	
776	Operation panel monitor selection 3	9999	9999	54	
C42 (934)	PID display bias coefficient	9999	9999	0	5-381
C44 (935)	PID display gain coefficient	9999	9999	100	
1136	Second PID display bias coefficient	9999	9999	0	
1138	Second PID display gain coefficient	9999	9999	100	
—	3-step monitor setting	—	Disabled	Enabled ^{①②③}	—
—	Extended direct setting	—	Disabled	Enabled ^③	—
—	Dedicated parameter list function	—	Disabled	Enabled ^③	—

Tab. 5-33: GOT initial setting (PU connector)

- ① Enabled when the FR-LU08 (-01) is used.
- ② Enabled when the FR-PU07 is used.
- ③ Enabled when the FR-PU07-01 is used.

- 3-line monitor setting

On the operation panel or parameter unit the 3-line monitor is used as the first monitor.

- Extended direct setting

Pressing the FUNC key of the FR-PU07-01 displays the extended direct setting screen. The PID action set point can be directly set regardless of the operation mode or Pr. 77 "Parameter write selection" setting.

Pressing the FUNC key on the extended direct setting screen displays the function menu.

Extended direct setting	Parameter to be set
Extended direct setting 1	Pr. 133 PID action set point
Extended direct setting 2	Pr. 755 Second PID action set point

Tab. 5-34: Parameter to be set by extended direct setting

- Dedicated parameter list function

Pressing the PrSET key of the FR-PU07-01 displays the dedicated parameter list. Parameters that need to be set first for the PID extended display setting are listed.

Dedicated parameter list	Parameter to be set
No. 1	Pr. 999 Automatic parameter setting
No. 2	Pr. 934 PID display bias coefficient
No. 3	Pr. 935 PID display gain coefficient

Tab. 5-35: Parameter to be set by dedicated parameter list**NOTE**

The display of parameters other than the above may be changed due to changes in C42 or C44. Set the PID monitor indicator before changing the settings of other parameters.

GOT initial setting (PU connector) (Pr. 999 = "10, 12")

Pr.	Name	Initial value	Pr. 999 = "10"	Pr. 999 = "12"	Refer to page
79	Operation mode selection	0	1	1	5-119
118	PU communication speed	192	192	1152	5-467
119	PU communication stop bit length	1	10	0	
120	PU communication parity check	2	1	1	
121	Number of PU communication retries	1	9999	9999	
122	PU communication check time interval	9999	9999	9999	
123	PU communication waiting time setting	9999	0 ms	0 ms	
124	PU communication CR/LF selection	1	1	1	
340	Communication startup mode selection	0	0	0	5-128
414	PLC function operation selection	0	—	2 ^①	5-439

Tab. 5-36: GOT initial setting (PU connector)

① When Pr. 414 = "1", the setting value is not changed.

- Initial setting with the GOT2000 series

- When "FREQROL 500/700/800, SENSORLESS SERVO" is selected for "Controller Type" in the GOT setting, set Pr. 999 = "10" to configure the GOT initial setting.
- When "FREQROL 800 (Automatic Negotiation)" is selected for "Controller Type" in the GOT setting, the GOT automatic connection can be used. When "FREQROL 800 (Automatic Negotiation)" is selected for "Controller Type" in the GOT setting and the GOT automatic connection is not used, set Pr. 999="12" to configure the GOT initial setting. (Refer to page 5-532 .)

- Initial setting with the GOT1000 series

- Set Pr. 999 = "10" to configure the GOT initial setting.

NOTES

| Always perform an inverter reset after the initial setting.

| For the details of connection with GOT, refer to the Instruction Manual of GOT.

GOT initial setting (RS-485 terminals) (Pr. 999 = "11, 13")

Pr.	Name	Initial value	Pr. 999 = "11"	Pr. 999 = "13"	Refer to page
79	Operation mode selection	0	0	1	5-119
332	RS-485 communication speed	96	192	1152	5-467
333	RS-485 communication stop bit length	1	10	0	
334	RS-485 communication parity check selection	2	1	1	
335	RS-485 communication retry count	1	9999	9999	
336	RS-485 communication check time interval	0 s	9999	9999	
337	RS-485 communication waiting time setting	9999	0 ms	0 ms	
340	Communication startup mode selection	0	1	1	5-128
341	RS-485 communication CR/LF selection	1	1	1	5-467
414	PLC function operation selection	0	—	2 ^①	5-439
549	Protocol selection	0	0	0	5-488

Tab. 5-37: GOT initial setting (RS-485 terminals)

① When Pr. 414 = "1", the setting value is not changed.

- Initial setting with the GOT2000 series

- When "FREQROL 500/700/800, SENSORLESS SERVO" is selected for "Controller Type" in the GOT setting, set Pr. 999 = "11" to configure the GOT initial setting.
- When "FREQROL 800 (Automatic Negotiation)" is selected for "Controller Type" in the GOT setting, the GOT automatic connection can be used. When "FREQROL 800 (Automatic Negotiation)" is selected for "Controller Type" in the GOT setting and the GOT automatic connection is not used, set Pr. 999="13" to configure the GOT initial setting. (Refer to page 5-532.)

- Initial setting with the GOT1000 series

- Set Pr. 999 = "10" to configure the GOT initial setting.

NOTES

Always perform an inverter reset after the initial setting.

For the details of connection with GOT, refer to the Instruction Manual of GOT.

Rated frequency (Pr. 999 = "20 (50 Hz), 21 (60 Hz)")

Pr.	Name	Initial value		Pr. 999 = "21"	Pr. 999 = "20"	Refer to page
		FM type	CA type			
3	Base frequency	60 Hz	50 Hz	60 Hz	50 Hz	5-537
4	Multi-speed setting (high speed)	60 Hz	50 Hz	60 Hz	50 Hz	5-60
20	Acceleration/deceleration reference frequency	60 Hz	50 Hz	60 Hz	50 Hz	5-102
37	Speed display	0		0		5-196
55	Frequency monitoring reference	60 Hz	50 Hz	60 Hz	50 Hz	5-211
66	Stall prevention operation reduction starting frequency	60 Hz	50 Hz	60 Hz	50 Hz	5-180
125 (903)	Terminal 2 frequency setting gain frequency	60 Hz	50 Hz	60 Hz	50 Hz	5-266
126 (905)	Terminal 4 frequency setting gain frequency	60 Hz	50 Hz	60 Hz	50 Hz	
263	Subtraction starting frequency	60 Hz	50 Hz	60 Hz	50 Hz	5-432
266	Power failure deceleration time switchover frequency	60 Hz	50 Hz	60 Hz	50 Hz	
386	Frequency for maximum input pulse	60 Hz	50 Hz	60 Hz	50 Hz	5-140
390	% setting reference frequency	60 Hz	50 Hz	60 Hz	50 Hz	5-506
505	Speed setting reference	60 Hz	50 Hz	60 Hz	50 Hz	5-196
584	Auxiliary motor 1 starting frequency	60 Hz	50 Hz	60 Hz	50 Hz	5-392
585	Auxiliary motor 2 starting frequency	60 Hz	50 Hz	60 Hz	50 Hz	
586	Auxiliary motor 3 starting frequency	60 Hz	50 Hz	60 Hz	50 Hz	
C14 (918)	Terminal 1 gain frequency (speed)	60 Hz	50 Hz	60 Hz	50 Hz	5-266
1013	Running speed after emergency drive retry reset	60 Hz	50 Hz	60 Hz	50 Hz	5-167

Tab. 5-38: Influence of Pr. 999 on the rated frequencies**5.4.16 Extended parameter display and user group function**

This function restricts the parameters that are read by the operation panel and the parameter unit.

Pr.	Name	Initial value		Setting range	Description
		FM	CA		
160 E440	User group read selection	9999	0	9999	Only simple mode parameters can be displayed.
				0	Simple mode and extended parameters can be displayed.
				1	Only parameters registered in user groups can be displayed.
172 E441	User group registered display/ batch clear	0	0	(0 to 16)	Displays the number of groups that are registered as user groups. (Read-only)
				9999	Batch clear of user group registrations
173 E442	User group registration	9999 ^①	0	0 to 1999, 9999	Sets the parameter number to register for the user group.
174 E443	User group clear	9999 ^①	0	0 to 1999, 9999	Sets the parameter number to clear from the user group.

^① The read value is always "9999".

Display of simple mode parameters and extended parameters (Pr. 160)

- When Pr. 160 = "9999", only the simple mode parameters can be displayed on the operation panel and the parameter unit. (For the simple mode parameters, refer to the parameter list page 5-2.)
- With the initial value (Pr. 160 = "0"), simple mode parameters and extended parameters can be displayed.

NOTES

When a plug-in option is installed on the inverter, the option parameters can also be read.

Every parameter can be read regardless of the Pr. 160 setting when reading parameters via a communication option.

When reading the parameters using the RS-485 terminals, all parameters can be read regardless of the Pr. 160 setting by setting Pr. 550 "NET mode operation command source selection" and Pr. 551 "PU mode operation command source selection".

Pr. 551	Pr. 550	Pr. 160 enabled/disabled
1 (RS-485)	—	Enabled
2 (PU) 3 (USB) 9999 (Automatic determination) (Initial value)	0 (Communication option)	Enabled
	1 (RS-485)	Disabled (All can be read)
	9999 (Automatic determination) (Initial value)	With communication option: Enabled Without communication option: Disabled (All can be read)







When the LCD operation panel (FR-LU08) or the parameter unit (FR-PU07) is installed, Pr. 15 "Jog frequency", Pr. 16 "Jog acceleration/deceleration time", C42 (Pr. 934) "PID display bias coefficient", C43 (Pr. 934) "PID display bias analog value", C44 (Pr. 935) "PID display gain coefficient", C45 (Pr. 935) "PID display gain analog value" and Pr. 991 "PU contrast adjustment" are displayed as simple mode parameters.

User group function (Pr. 160, Pr. 172 to Pr. 174)

- The user group function is a function for displaying only the parameters required for a setting.
- A maximum of 16 parameters from any of the parameters can be registered in a user group. When Pr. 160 = "1", reading/writing is enabled only for the parameters registered in user groups. (Parameters not registered in user groups can no longer be read.)
- To register a parameter in a user group, set the parameter number in Pr. 173.
- To clear a parameter from a user group, set the parameter number in Pr. 174. To batch clear all the registered parameters, set Pr. 172 = "9999".

Registering a parameter in a user group (Pr. 173)







- To register Pr. 3 in a user group

Operation	
①	Power ON Make sure the motor is stopped.
②	Changing the operation mode Press  to choose the PU operation mode. [PU] indicator is lit.
③	Parameter setting mode Press  to select the parameter setting mode. (The parameter number read previously appears.)
④	Selecting the parameter number Turn  until P. 173 (Pr. 173) appears.
⑤	Selecting the parameter number Press  to display " 9999 ".
⑥	Parameter registration Turn  until 3 (Pr. 3) appears. Press  to register the parameter. P. 173 and 3 flicker alternately. To continue adding parameters, repeat steps ⑤ and ⑥.

Tab. 5-39: When registering Pr. 3 to user group

Clearing a parameter from a user group (Pr. 174)

- To delete Pr. 3 from a user group

Operation	
①	Power ON Make sure the motor is stopped.
②	Changing the operation mode Press  to choose the PU operation mode. [PU] indicator is lit.
③	Parameter setting mode Press  to select the parameter setting mode. (The parameter number read previously appears.)
④	Selecting the parameter number Turn  until P. 174 (Pr. 174) appears.
⑤	Selecting the parameter number Press  to display " 9999 ".
⑥	Clearing the parameter Turn  until 3 (Pr. 3) appears. Press  to delete the parameter. P. 174 and 3 flicker alternately. To continue deleting parameters, repeat steps ⑤ and ⑥.

Tab. 5-40: When deleting Pr. 3 from user group

NOTES

Pr. 77 "Parameter write selection", Pr. 160, Pr. 296 "Password lock level", Pr. 297 "Password lock/unlock" and Pr. 991 "PU contrast adjustment" can always be read regardless of the user group setting. (For Pr. 991, only when the FR-LU08 or the FR-PU07 is connected.)

Pr. 77, Pr. 160, Pr. 172 to Pr. 174, Pr. 296, and Pr. 297 cannot be registered in a user group.

When Pr. 174 is read, "9999" is always displayed. "9999" can be written, but it does not function.

Pr. 172 is disabled if set to a value other than "9999".

Parameters referred to			
Pr. 15	Jog frequency	=>	page 5-144
Pr. 16	Jog acceleration/deceleration time	=>	page 5-144
Pr. 77	Parameter write selection	=>	page 5-72
Pr. 296	Password lock level	=>	page 5-76
Pr. 297	Password lock/unlock	=>	page 5-76
Pr. 550	NET mode operation command source selection	=>	page 5-130
Pr. 551	PU mode operation command source selection	=>	page 5-130
Pr. 991	PU contrast adjustment	=>	page 5-67

5.4.17 PWM carrier frequency and Soft-PWM control

The motor sound can be changed.

Pr.	Name	Initial value	Setting range	Description
72 E600	PWM frequency selection	2	0 to 15 ①	The PWM carrier frequency can be changed. The setting displayed is in [kHz]. Note that 0 indicates 0.7 kHz, 15 indicates 14.5 kHz, and 25 indicates 2.5 kHz. (The setting value "25" is for the sine wave filter.)
			0 to 6, 25 ②	
240 E601	Soft-PWM operation selection	1	0	Soft-PWM disabled
			1	The soft-PWM is enabled.
260 E602	PWM frequency automatic switchover	1	0	PWM carrier frequency automatic reduction function disabled (for the LD rating)
			1	PWM carrier frequency automatic reduction function enabled

① The setting range for the FR-F820-02330(55K) or lower and FR-F840-01160(55K) or lower.

② The setting range for the FR-F820-03160(75K) or higher and FR-F840-01800(75K) and higher.

Changing the PWM carrier frequency (Pr. 72)

- The PWM carrier frequency of the inverter can be changed.
- Changing the PWM carrier frequency can be effective for avoiding the resonance frequency of the mechanical system or motor, as a countermeasure against EMI generated from the inverter, or for reducing leakage current caused by PWM switching.
- Under PM motor control, the following carrier frequencies are used.

Pr. 72 setting	Carrier frequency [kHz]
0 to 5	2
6 to 9	6 ^①
10 to 13	10 ^①
14, 15	14 ^①

Tab. 5-41: Carrier frequencies in different control modes

^① In the low-speed range (lower than 10% of the rated motor frequency), the carrier frequency is automatically changed to 2 kHz.

(For FR-F820-00490(11K) or lower and FR-F840-00250(11K) or lower)

- When using the optional sine wave filter (MT-BSL/BSC), set Pr. 72 = "25" (2.5 kHz). (FR-F820-03160(75K) or higher, FR-F840-01800(75K).)

NOTES

In the low-speed range (about 10 Hz or lower), the carrier frequency may be automatically lowered. Motor noise increases, but not to the point of failure.

When Pr. 72 = "25", the following limitations apply.

- V/F control is forcibly set.
- Soft-PWM control is disabled.
- The maximum output frequency is 60 Hz.

Soft-PWM control (Pr. 240)

- Soft-PWM control is a control method that changes the motor noise from a metallic sound into an inoffensive, complex tone.
- Setting Pr. 240 = "1" will enable the Soft-PWM control.
- To enable the Soft-PWM control for the FR-F820-02330(55K) or lower and FR-F840-01160(55K) or lower, set Pr. 72 to "5 kHz or less".
To enable it for the FR-F820-03160(75K) or higher and FR-F840-01800(75K) or higher, set Pr. 72 to "4 kHz or less".

NOTE

While a sine wave filter (Pr. 72 = "25") is being used, the Soft-PWM control is disabled.

PWM carrier frequency automatic reduction function (Pr. 260)

- Setting Pr. 260 = "1 (initial value)" will enable the PWM carrier frequency auto-reduction function. If a heavy load is continuously applied while the inverter carrier frequency is set to 3 kHz or higher (Pr. 72 \geq "3"), the carrier frequency is automatically reduced to prevent occurrence of the inverter overload trip (electronic thermal O/L relay function) (E.THT). The carrier frequency is reduced to as low as 2 kHz. (Motor noise increases, but not to the point of failure.)
- When the PWM carrier frequency automatic reduction function is used, the operation with the carrier frequency set to 3 kHz or higher (Pr. 72 \geq "3") automatically reduces the carrier frequency for heavy-load operation as shown below.

Pr. 260 setting	Pr. 570 setting	Carrier frequency automatic reduction operation
1	0 (SLD), 1 (LD)	Continuous operation with the 85% or higher inverter rated current reduces the carrier frequency automatically.
0	0 (SLD)	Continuous operation with the 85% or higher inverter rated current reduces the carrier frequency automatically.
	1 (LD)	Without carrier frequency automatic reduction (Perform continuous operation with the carrier frequency set to 2 kHz or lower or with less than 85% of the inverter rated current.)

Tab. 5-42: Parameter settings for PWM carrier frequency automatic reduction operation**NOTES**

Reducing the PWM carrier frequency is effective as a countermeasure against EMI from the inverter or for reducing leakage current, but doing so increases the motor noise.

When the PWM carrier frequency is set to 1 kHz or lower (Pr. 72 \leq 1), the increase in the harmonic current causes the fast-response current limit to activate before the stall prevention operation, which may result in torque shortage. In this case, disable the fast-response current limit in Pr. 156 "Stall prevention operation selection".

Parameters referred to			
Pr. 156	Stall prevention operation selection	=>	page 5-180
Pr. 570	Multiple rating setting	=>	page 5-71
Pr. 800	Control method selection	=>	page 5-41

5.4.18 Inverter parts life display

The degree of deterioration of the control circuit capacitor, main circuit capacitor, cooling fan, and inrush current limit circuit can be diagnosed on the monitor.

When a part approaches the end of its life, an alarm can be output by self diagnosis to prevent a fault. (Note that the life diagnosis of this function should be used as a guideline only, because with the exception of the main circuit capacitor, the life values are theoretical calculations.)

Pr.	Name	Initial value	Setting range	Description
255 E700	Life alarm status display	0	(0 to 15) ①	Displays whether or not the parts of the control circuit capacitor, main circuit capacitor, cooling fan, and inrush current limit circuit have reached the life alarm output level. Read-only.
256 E701 ②	Inrush current limit circuit life display	100%	(0 to 100%)	Displays the deterioration degree of the inrush current limit circuit. Read-only.
257 E702	Control circuit capacitor life display	100%	(0 to 100%)	Displays the deterioration degree of the control circuit capacitor. Read-only.
258 E703 ②	Main circuit capacitor life display	100%	(0 to 100%)	Displays the deterioration degree of the main circuit capacitor. Read-only. The value measured by Pr. 259 is displayed.
259 E704 ②	Main circuit capacitor life measuring	0	0, 1 (2, 3, 8, 9)	Setting "1" and turning the power supply OFF starts the measurement of the main circuit capacitor life. If the setting value of Pr. 259 becomes "3" after turning the power supply ON again, it means that the measurement is completed. The deterioration degree is read to Pr. 258.

① The setting range (reading only) for separated converter types is "0, 1, 4 or 5".

② The setting is available only for standard models.

Life alarm display and signal output (Y90 signal, Pr. 255)

NOTE

In the life diagnosis of the main circuit capacitor, the alarm signal (Y90) is not output unless measurement by turning OFF the power supply is performed.

- Use Pr. 255 "Life alarm status display" and the life alarm signal (Y90) to check whether or not the parts of the control circuit capacitor, main circuit capacitor, cooling fan, or inrush current limit circuit have reached the life alarm output level

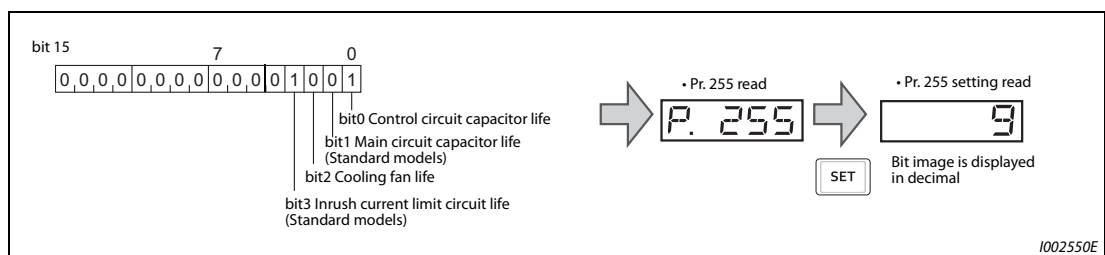


Fig. 5-10: Bits of parameter 255

Pr. 255		bit3	bit2	bit1	bit0
Decimal	Binary				
15	1111	○	○	○	○
14	1110	○	○	○	×
13	1101	○	○	×	○
12	1100	○	○	×	×
11	1011	○	×	○	○
10	1010	○	×	○	×
9	1001	○	×	×	○
8	1000	○	×	×	×
7	0111	×	○	○	○
6	0110	×	○	○	×
5	0101	×	○	×	○
4	0100	×	○	×	×
3	0011	×	×	○	○
2	0010	×	×	○	×
1	0001	×	×	×	○
0	0000	×	×	×	×

○: With warnings, ×: Without warnings

Tab. 5-43: *Displaying the end of service life by bits*

- The life alarm signal (Y90) turns ON when any of the control circuit capacitor, main circuit capacitor, cooling fan or inrush current limit circuit reaches the life alarm output level.
- For the terminal used for the Y90 signal, set "90" (positive logic) or "190" (negative logic) in any of Pr. 190 to Pr. 196 (output terminal function selection).

NOTES

When using an option (FR-A8AY, FR-A8AR, FR-A8NC, FR-A8NCE), the life can be output separately to the control circuit capacitor life signal (Y86), main circuit capacitor life signal (Y87), cooling fan life signal (Y88), and inrush current limit circuit life signal (Y89).

Changing the terminal assignment using Pr. 190 to Pr. 196 (output terminal function selection) may affect the other functions. Set parameters after confirming the function of each terminal.

Life display of the inrush current limit circuit (Pr. 256) (Standard models)

- The life of the inrush current limit circuit (relay, contactor and inrush resistor) is displayed in Pr. 256.
- The number of contact (relay, contactor, thyristor) ON times is counted, and it is counted down from 100% (0 time) every 1%/10,000 times. As soon as 10% (900,000 times) is reached, Pr. 255 bit 3 is turned ON and also a warning is output to the Y90 signal.

Life display of the control circuit capacitor (Pr. 257)

- The deterioration degree of the control circuit capacitor is displayed in Pr. 257.
- In the operating status, the control circuit capacitor life is calculated from the energization time and temperature, and is counted down from 100%. As soon as the control circuit capacitor life falls below 10%, Pr. 255 bit 0 is turned ON and also a warning is output to the Y90 signal.

Life display of the main circuit capacitor (Pr. 258, Pr. 259) (Standard models)**NOTE**

For accurate life measurement of the main circuit capacitor, wait three hours or longer after turning OFF. The temperature left in the main circuit capacitor affects measurement.

- The deterioration degree of the main circuit capacitor is displayed in Pr. 258.
- With the main circuit capacitor capacity at factory shipment as 100%, the capacitor life is displayed in Pr. 258 every time measurement is made. When the measured value falls to 85% or lower, Pr. 255 bit 1 is turned ON and also a warning is output to the Y90 signal.
- Measure the capacitor capacity according to the following procedure and check the deterioration degree of the capacitor capacity.
 - ① Check that the motor is connected and at a stop.
 - ② Set "1" (measuring start) in Pr. 259.
 - ③ Switch the power OFF. The inverter applies DC voltage to the motor to measure the capacitor capacity while the inverter is OFF.
 - ④ After confirming that the power lamp is OFF, turn ON the power again.
 - ⑤ Check that "3" (measurement complete) is set in Pr. 259, read Pr. 258, and check the deterioration degree of the main circuit capacitor.

Pr. 259	Description	Remarks
0	No measurement	Initial value
1	Measurement start	Measurement starts when the power supply is switched OFF
2	During measurement	Only displayed and cannot be set
3	Measurement complete	
8	Forced end	
9	Measurement error	

Tab. 5-44: Parameter 259

NOTES

When the main circuit capacitor life is measured under the following conditions, "forced end" (Pr. 259 = "8") or "measurement error" (Pr. 259 = "9") may occur, or the status may remain in "measurement start" (Pr. 259 = "1"). To perform measurement, first eliminate the following conditions. Under the following conditions, even if "measurement complete" (Pr. 259 = "3") is reached, measurement cannot be performed correctly.

- FR-HC2, FR-CV, MT-RC, or a sine wave filter is connected.
- Terminals R1/L11, S1/L21 or DC power supply is connected to terminals P/+ and N/-.
- The power supply is switched ON during measurement.
- The motor is not connected to the inverter.
- The motor is running (coasting).
- The motor capacity is smaller than the inverter capacity by two ranks or more.
- The inverter is tripped or a fault occurred while the power was OFF.
- The inverter output is shut off with the MRS signal.
- The start command is given while measuring.
- The applied motor setting is incorrect.

Operation environment: surrounding air temperature (annual average of 40 °C (free from corrosive gas, flammable gas, oil mist, dust and dirt)).

Output current (80% of the inverter rating)

Since repeated inrush currents at power ON will shorten the life of the converter circuit, frequent starts and stops of the magnetic contactor must be avoided.



WARNING:

When measuring the main circuit capacitor capacity (Pr. 259 = "1"), the DC voltage is applied to the motor for about 1 s at power OFF. Never touch the motor terminal, etc. right after powering OFF to prevent an electric shock.

Life display of the cooling fan

- If a cooling fan speed of less than the specified speed (refer below) is detected, Fan alarm \overline{FN} (FN) is displayed on the operation panel and the parameter unit. As an alarm display, Pr. 255 bit 2 is turned ON and also a warning is output to the Y90 signal and Alarm (LF) signal.
- For the terminal used for the LF signal, set "98" (positive logic) or "198" (negative logic) in any of Pr. 190 to Pr. 196 (output terminal function selection).

Capacity	Warning level
FR-F820-00250(5.5K) or lower, FR-F820-03160(75K) or higher FR-F840-00126(5.5K) or lower	Less than 50% of the rated rotations per minute
FR-F820-00340(7.5K) to FR-F820-02330(55K) FR-F840-00170(7.5K) to FR-F840-03610(160K)	Less than 70% of the rated rotations per minute
FR-F840-04320(185K) or higher FR-F842-07700(355K) or higher	Approx. less than 1700 r/min

Tab. 5-45: Warning level of different inverters

NOTES

When the inverter is mounted with two or more cooling fans, "FN" is displayed with one or more fans with speed of 50% or less.

Changing the terminal assignment using Pr. 190 to Pr. 196 (output terminal function selection) may affect the other functions. Set parameters after confirming the function of each terminal.

For replacement of each part, contact the nearest Mitsubishi FA center.

5.4.19 Maintenance timer alarm

The maintenance timer output signal (Y95) is output when the inverter's cumulative energization time reaches the time period set with the parameter. MT1, MT2 or MT3 is displayed on the operation panel.

This can be used as a guideline for the maintenance time of peripheral devices.

Pr.	Name	Initial value	Setting range	Description
503 E710	Maintenance timer 1	0	0 (1 to 9998)	Displays the inverter's cumulative energization time in increments of 100 h (read-only). Writing the setting of "0" clears the cumulative energization time while Pr. 503 = "1 to 9998". (Writing is disabled when Pr. 503 = "0".)
504 E711	Maintenance timer 1 warning output set time	9999	0 to 9998	Set the time until the maintenance timer signal (Y95) is output. MT1 is displayed on the operation panel.
			9999	No function
686 E712	Maintenance timer 2	0	0 (1 to 9998)	The same function as Pr. 503.
687 E713	Maintenance timer 2 warning output set time	9999	0 to 9998	The same function as Pr. 504. MT2 is displayed on the operation panel.
			9999	
688 E714	Maintenance timer 3	0	0 (1 to 9998)	The same function as Pr. 503.
689 E715	Maintenance timer 3 warning output set time	9999	0 to 9998	The same function as Pr. 504. MT3 is displayed on the operation panel.
			9999	

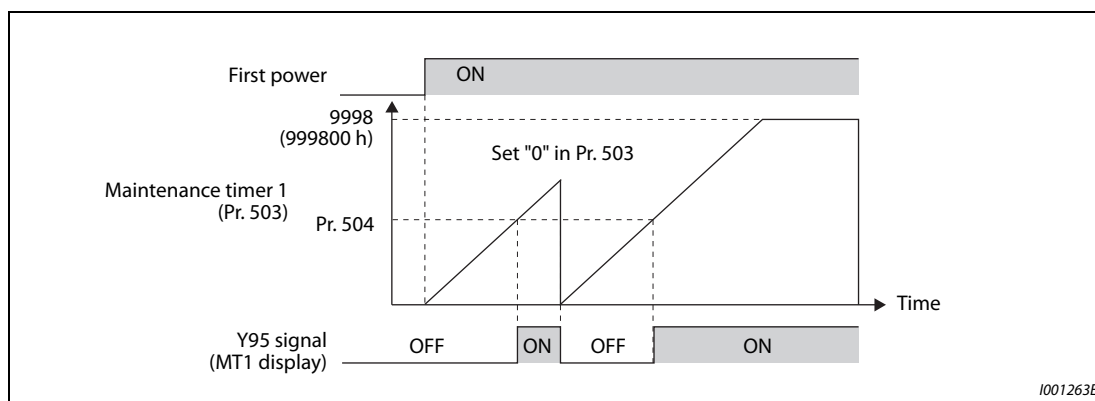


Fig. 5-11: Maintenance timer

- The cumulative energization time of the inverter is stored in the EEPROM every hour and displayed in Pr. 503 (Pr. 686, Pr. 688) in 100 h increments. Pr. 503 (Pr. 686, Pr. 688) is clamped at 9998 (999800 h).
- When the value in Pr. 503 (Pr. 686, Pr. 688) reaches the time (100 h increments) set in Pr. 504 (Pr. 687, Pr. 689), Maintenance timer signal (Y95) is output, and also $M\Gamma 1$ (MT1), $M\Gamma 2$ (MT2), or $M\Gamma 3$ (MT3) is displayed on the operation panel.
- For the terminal used for Y95 signal output, assign the function by setting "95 (positive logic)" or "195 (negative logic)" in any of Pr. 190 to Pr. 196 (output terminal function selection).

NOTES

The Y95 signal turns ON when any of MT1, MT2 or MT3 is activated. It does not turn OFF unless all of MT1, MT2 and MT3 are cleared.

If all of MT1, MT2 and MT3 are activated, they are displayed in the priority of "MT1 > MT2 > MT3".

The cumulative energization time is counted every hour. Energization time of less than 1 h is not counted.

Changing the terminal assignment using Pr. 190 to Pr. 196 (output terminal function selection) may affect the other functions. Set parameters after confirming the function of each terminal.

Parameters referred to			
Pr. 190 to Pr. 196	(output terminal function selection)	=>	page 5-231

5.4.20 Current average value monitor signal

The output current average value during constant-speed operation and the maintenance timer value are output to the current average value monitor signal (Y93) as a pulse. The output pulse width can be used in a device such as the I/O unit of a programmable controller as a guideline for the maintenance time for mechanical wear, belt stretching, or deterioration of devices with age.

The pulse is repeatedly output during constant-speed operation in cycles of 20 s to the Current average monitor signal (Y93).

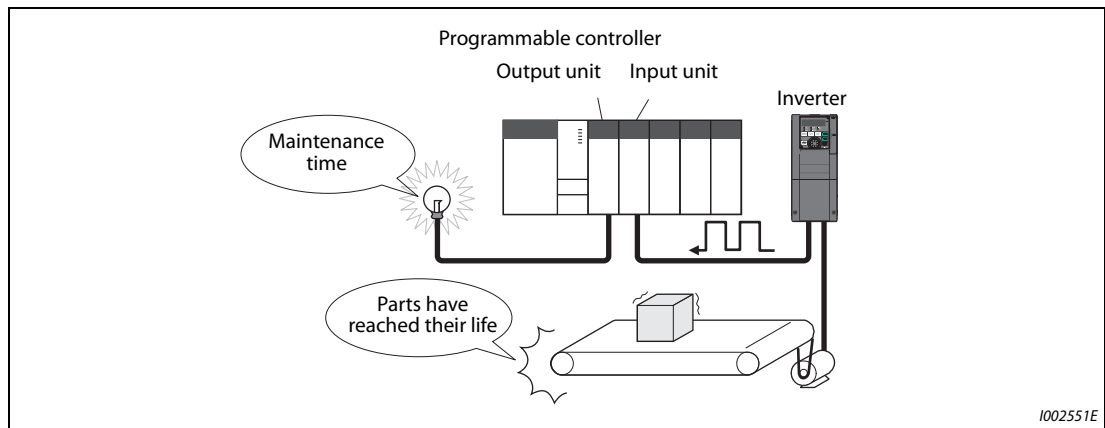


Fig. 5-12: Monitoring the maintenance timer and current average value

Pr.	Name	Initial value	Setting range	Description
555 E720	Current average time	1 s	0.1 to 1 s	Set the time for calculating the average current during start pulse output (1 s).
556 E721	Data output mask time	0 s	0 to 20 s	Set the time for not obtaining (masking) transitional state data.
557 E722	Current average value monitor signal output reference current	Inverter rated current	0 to 500 A ^① 0 to 3600 A ^②	Set the reference (100%) for outputting the output current average value signal.

^① Initial value for the FR-F820-02330(55K) or lower and FR-F840-01160(55K) or lower.

^② Initial value for the FR-F820-03160(75K) or higher and FR-F840-01800(75K) and higher.

Operation example

- The pulse output of Current average monitor signal (Y93) is indicated below.
- For the terminal used for Y93 signal output, assign the function by setting "93 (positive logic)" or "193 (negative logic)" in any of Pr. 190 to Pr. 194 (output terminal function selection). (This cannot be assigned by setting in Pr. 195 "ABC1 terminal function selection" or Pr. 196 "ABC2 terminal function selection".)

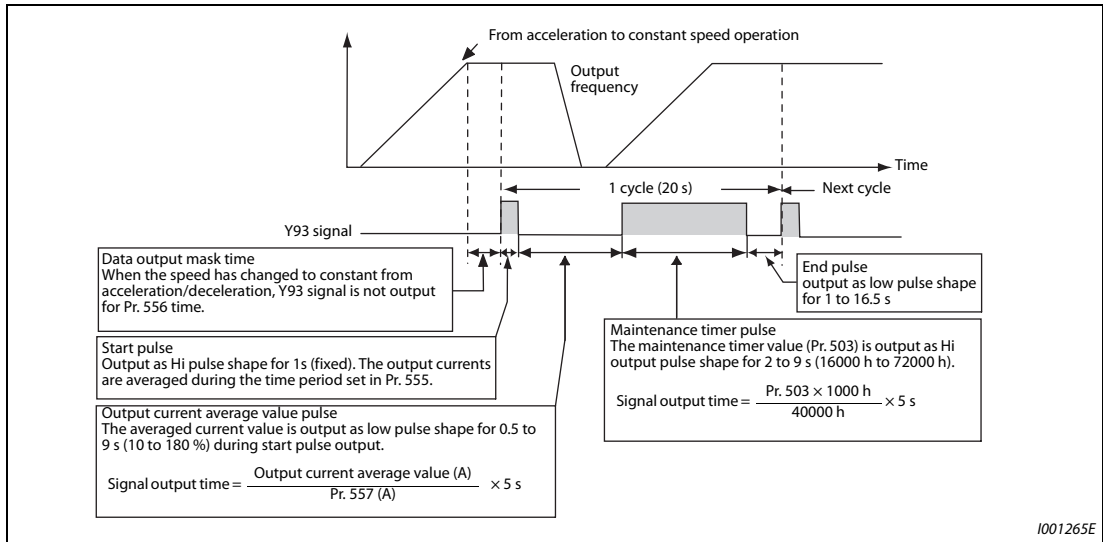


Fig. 5-13: Output of the pulse signal Y93

Pr. 556 "Data output mask time setting"

- Immediately after acceleration/deceleration is shifted to constant-speed operation, the output current is unstable (transitional state). Set the time for not obtaining (masking) transitional state data in Pr. 556.

Pr. 555 "Current average time setting"

- The output current average is calculated during start pulse (1 s) HIGH output. Set the time for calculating the average current during start pulse output in Pr. 555.

Pr. 557 "Current average value monitor signal output reference current setting"

- Set the reference (100%) for outputting the output current average value signal. The signal output time is calculated with the following formula.

$$\frac{\text{Output current average value}}{\text{Pr. 557 setting value}} \times 5 \text{ s (Output current average value 100\%/5 s)}$$

The output time range is 0.5 to 9 s. When the output current average value is less than 10% of the setting value in Pr. 557, the output time is 0.5 s, and when it is more than 180%, the output time is 9 s.

For example, when Pr. 557 = "10 A" and the output current average value is 15 A:

15 A/10 A x 5 s = 7.5 s, thus the current average value monitor signal is Low output in 7.5 s intervals.

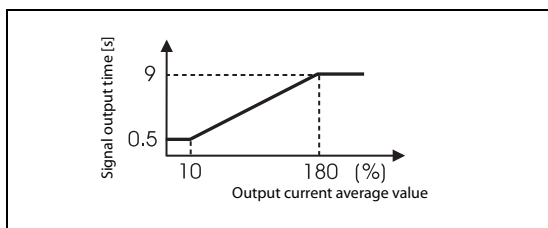


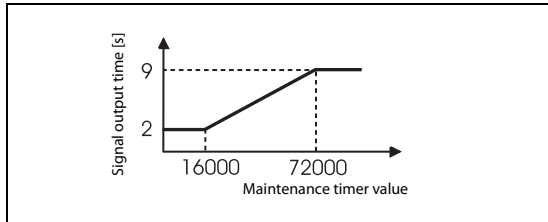
Fig. 5-14: Signal output time for the current average value

Pr. 503 "Maintenance timer 1 output"

After LOW output of the output current value is performed, HIGH output of the maintenance timer value is performed. The maintenance timer value output time is calculated with the following formula.

$$\frac{\text{Pr. 503} \times 100}{40000 \text{ h}} \times 5 \text{ s (Maintenance timer value 100\%/5 s)}$$

The output time range is 2 to 9 s. When Pr. 503 is less than 16000 h, the output time is 2 s, and when it is more than 72000 h, the output time is 9 s.

**Fig. 5-15:**

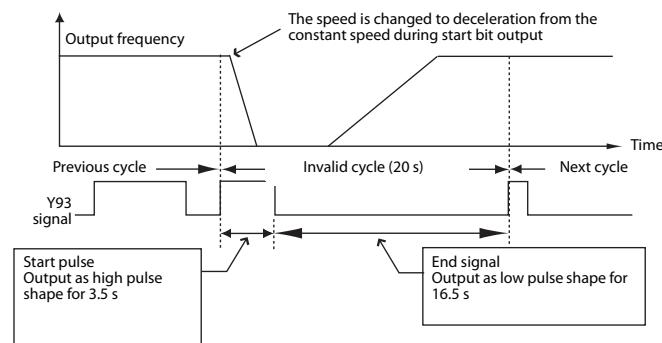
Signal output time for the maintenance output value

I001267E

NOTES

Masking of the data output and sampling of the output current are not performed during acceleration/deceleration.

If constant speed changes to acceleration or deceleration during start pulse output, it is judged as invalid data, and HIGH output in 3.5 s intervals is performed for the start pulse and LOW output in 16.5 s intervals is performed for the end signal. After the start pulse output is completed, minimum 1-cycle signal output is performed even if acceleration/deceleration is performed.



If the output current value (inverter output current monitor) is 0 A at the completion of the 1-cycle signal output, no signal is output until the next constant-speed state.

Under the following conditions, the Y93 signal is output with Low output in 20 s intervals (no data output).

- When acceleration or deceleration is operating at the completion of the 1-cycle signal output
- When automatic restart after instantaneous power failure (Pr. 57 "Restart coasting time" ≠ "9999") is set, and the 1-cycle signal output is completed during the restart operation
- When automatic restart after instantaneous power failure (Pr. 57 ≠ "9999") is set, and the restart operation was being performed at the completion of data output masking

Pr. 686 "Maintenance timer 2" and Pr. 688 "Maintenance timer 3" cannot be output.

Changing the terminal assignment using Pr. 190 to Pr. 196 (output terminal function selection) may affect the other functions. Set parameters after confirming the function of each terminal.

Parameters referred to			
Pr. 57	Restart coasting time	=>	page 5-415, page 5-423
Pr. 190 to Pr. 196	(output terminal function selection)	=>	page 5-231
Pr. 503	Maintenance timer 1	=>	page 5-95
Pr. 686	Maintenance timer 2	=>	page 5-95
Pr. 688	Maintenance timer 3	=>	page 5-95

5.5 (F) Setting of acceleration/deceleration time and acceleration/deceleration pattern

Purpose	Parameter to set			Refer to page
To set the motor acceleration/deceleration time	Acceleration/deceleration time	P.F000 to P.F003, P.F010, P.F011, P.F020 to P.F022, P.F070, P.F071	Pr. 7, Pr. 8, Pr. 16, Pr. 20, Pr. 21, Pr. 44, Pr. 45, Pr. 147, Pr. 611, Pr. 791, Pr. 792	5-102
To set the acceleration/deceleration pattern suitable for application	Acceleration/deceleration pattern and backlash measures	P.F100, P.F200 to P.F203	Pr. 29, Pr. 140 to Pr. 143	5-107
To command smooth speed transition with terminals	Remote setting function	P.F101	Pr. 59	5-111
To set the starting frequency	Starting frequency and start-time hold	P.F102, P.F103	Pr. 13, Pr. 571	5-115, 5-117

5.5.1 Setting the acceleration and deceleration time

The following parameters are used to set motor acceleration/deceleration time.

Set a larger value for a slower acceleration/deceleration, and a smaller value for a faster acceleration/deceleration.

For the acceleration time at automatic restart after instantaneous power failure, refer to Pr. 611 "Acceleration time at a restart" (page 5-415, page 5-423).

Pr.	Name	Initial value		Setting range	Description	
		FM	CA			
20 F000	Acceleration/deceleration reference frequency	60 Hz	50 Hz	1 to 590 Hz	Set the frequency that will be the basis of acceleration/deceleration time. As acceleration/deceleration time, set the frequency change time from a stop status to Pr. 20.	
21 F001	Acceleration/deceleration time increments	0		0	Increment: 0.1 s	Select the increment for the acceleration/deceleration time setting and the setting range.
				1	Increment: 0.01 s	
16 F002	Jog acceleration/deceleration time	0.5 s		0 to 3600 s	Set the acceleration/deceleration time for JOG operation (from stop status to Pr. 20). Refer to page 5-144	
611 F003	Acceleration time at a restart	9999		0 to 3600 s, 9999	Set the acceleration time for restart (from stop status to Pr. 20). When "9999" is set, standard acceleration time (like Pr. 7) is applied as the acceleration time at restart. Refer to page 5-415, page 5-423.	
7 F010	Acceleration time	5 s ^①		0 to 3600 s	Set the motor acceleration time (from stop status to Pr. 20).	
		15 s ^②				
8 F011	Deceleration time	10 s ^①		0 to 3600 s	Set the motor deceleration time (from Pr. 20 to stop status).	
		30 s ^②				
44 F020	Second acceleration/deceleration time	5 s		0 to 3600 s	Set the acceleration/deceleration time when the RT signal is ON.	
45 F021	Second deceleration time	9999		0 to 3600 s	Set the deceleration time when the RT signal is ON.	
				9999	Acceleration time = deceleration time	
147 F022	Acceleration/deceleration time switching frequency	9999		0 to 590 Hz	Set the frequency where the acceleration/deceleration time switches to the time set in Pr. 44 and Pr. 45.	
				9999	No function	
791 F070	Acceleration time in low-speed range	9999		0 to 3600 s	Set the acceleration time in a low-speed range (less than 10% of the rated motor frequency).	
				9999	The acceleration time set in Pr. 7 is applied. (While RT signal is ON, the second function is enabled.)	
792 F071	Deceleration time in low-speed range	9999		0 to 3600 s	Set the deceleration time in a low-speed range (less than 10% of the rated motor frequency).	
				9999	The deceleration time set in Pr. 8 is applied. (While RT signal is ON, the second is enabled.)	

① Initial value for the FR-F820-00340(7.5K) or lower and FR-F840-00170(7.5K) or lower.

② Initial value for the FR-F820-00490(11K) or higher and FR-F840-00250(11K) and higher.

Control block diagram

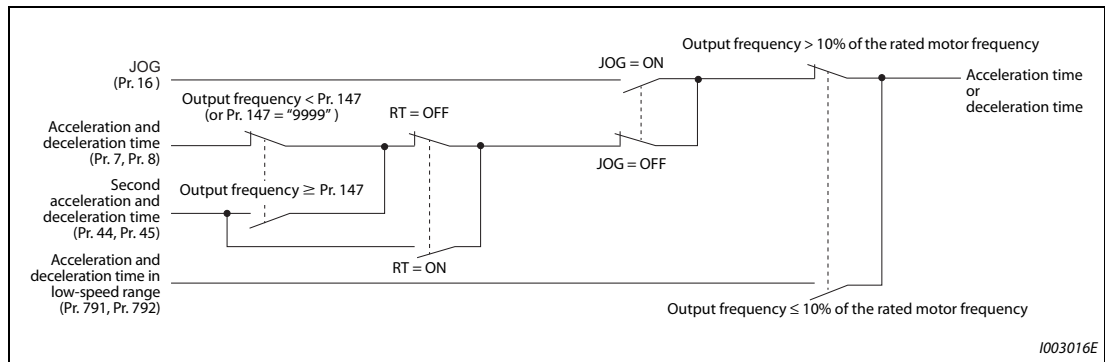


Fig. 5-16: Control block diagram

Acceleration time setting (Pr. 7, Pr. 20)

- Use Pr. 7 "Acceleration time" to set the acceleration time required to reach Pr. 20 "Acceleration/deceleration reference frequency" from stop status.
- Set the acceleration time according to the following formula.

$$\text{Acceleration time setting} = \frac{\text{Pr. 20} \times \text{Acceleration time from stop status to maximum frequency}}{(\text{Maximum frequency} - \text{Pr. 13})}$$

Example ▽

For example, the following calculation is performed to find the setting value for Pr. 7 when increasing the output frequency to the maximum frequency of 50 Hz in 10 s with Pr. 20 = "60 Hz (initial value)" and Pr. 13 = "0.5 Hz".

$$\text{Pr. 7} = 60 \text{ Hz} \times 10 \text{ s} / (50 \text{ Hz} - 0.5 \text{ Hz}) \\ \approx 12.1 \text{ s}$$

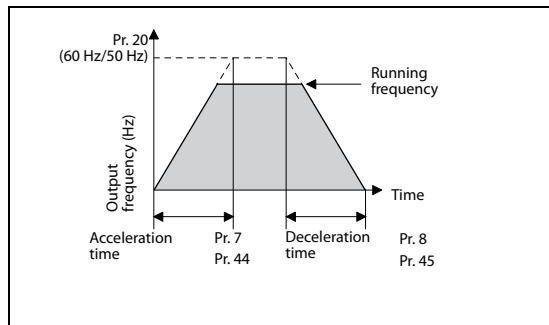


Fig. 5-17: Acceleration/deceleration time

1002553E



Deceleration time setting (Pr. 8, Pr. 20)

- Use Pr. 8 "Deceleration time" to set the deceleration time required to reach a stop status from to Pr. 20 "Acceleration/deceleration reference frequency".
- Set the deceleration time according to the following formula.

$$\text{Deceleration time setting} = \frac{\text{Pr. 20} \times \text{Deceleration time from maximum frequency to stop}}{(\text{Maximum frequency} - \text{Pr. 10})}$$

Example ▽

For example, the following calculation is used to find the setting value for Pr. 8 when increasing the output frequency to the maximum frequency of 50 Hz in 10 s with Pr. 20 = 120 Hz and Pr. 10 = 3 Hz.
 Pr. 8 = $120 \text{ Hz} \times 10 \text{ s} / (50 \text{ Hz} - 3 \text{ Hz})$
 $\approx 25.5 \text{ s}$

△

NOTES

If the acceleration/deceleration time is set, the actual motor acceleration/deceleration time cannot be made shorter than the shortest acceleration/deceleration time determined by the mechanical system J (moment of inertia) and motor torque.

If the Pr. 20 setting is changed, the Pr. 125 and Pr. 126 (frequency setting signal gain frequency) settings do not change. Set Pr. 125 and Pr. 126 to adjust the gains.

Under PM motor control, if the protective function (E.OLT) is activated due to insufficient torque in the low-speed range, set longer acceleration/deceleration times only in the low-speed range in Pr. 791 "Acceleration time in low-speed range" and Pr. 792 "Deceleration time in low-speed range".

Changing the minimum increment of the acceleration/deceleration time (Pr. 21)

- Use Pr. 21 to set the minimum increment of the acceleration/deceleration time.
 - Setting value "0" (initial value): minimum increment 0.1 s
 - Setting value "1": minimum increment 0.01 s
- Pr. 21 setting allows the minimum increment of the following parameters to be changed:
 Pr. 7, Pr. 8, Pr. 16, Pr. 44, Pr. 45, Pr. 111, Pr. 264, Pr. 265, Pr. 582, Pr. 583, Pr. 791, Pr. 792, Pr. 1477, Pr. 1478

NOTES

Pr. 21 setting does not affect the minimum increment setting of Pr. 611 "Acceleration time at a restart".

The parameter can be set in five digits including the numbers below decimal point for the FR-DU08 and the FR-PU07. A "1000" or more value is set in increments of 0.1 s even if Pr. 21 = "1".

**Setting multiple acceleration/deceleration times
(RT signal, Pr. 44, Pr. 45, Pr. 147)**

- Pr. 44 and Pr. 45 are valid when the RT signal is ON or when the output frequency is equal to or higher than the frequency set in Pr. 147 "Acceleration/deceleration time switching frequency".
- Even at the frequency lower than the Pr. 147 setting, turning ON the RT signal will switch the acceleration/deceleration time to the second acceleration/deceleration time. The priority of the signals and settings is RT signal > Pr. 147 setting.
- When "9999" is set in Pr. 45, the deceleration time becomes equal to the acceleration time (Pr. 44).
- If the Pr. 147 setting is equal to or less than the Pr. 10 "DC injection brake operation frequency" or the Pr. 13 "Starting frequency" setting, the acceleration/deceleration time switches to the Pr. 44 (Pr. 45) when the output frequency reaches or exceeds the Pr. 10 or Pr. 13 setting.

Pr. 147 setting	Acceleration/deceleration time	Description
9999 (initial value)	Pr. 7, Pr. 8	Acceleration/deceleration time is not automatically changed.
0.00 Hz	Pr. 44, Pr. 45	Second acceleration/deceleration time is applied from the start.
0.01 Hz ≤ Pr. 147 ≤ set frequency	Output frequency < Pr. 147: Pr. 7, Pr. 8 Pr. 147 ≤ output frequency: Pr. 44, Pr. 45	Acceleration/deceleration time is automatically changed.
Set frequency < Pr. 147	Pr. 7, Pr. 8	Not changed as the frequency has not reached the switchover frequency.

Tab. 5-46: Setting of Pr. 147

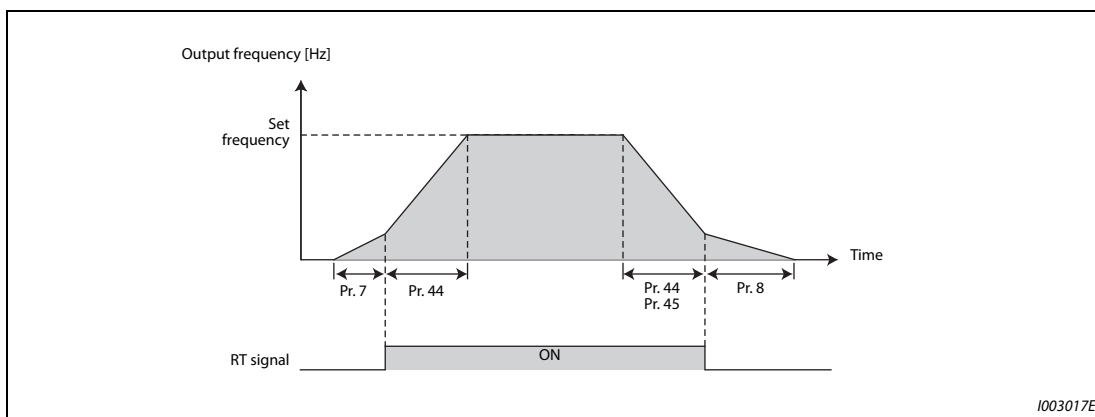


Fig. 5-18: Changing the acceleration/deceleration time by switching the RT signal

- Switching frequency for each control method

Control method	Switching frequency
V/F control	Output frequency
Advanced magnetic flux vector control	Output frequency before the slip compensation.
PM motor control	Estimated speed converted as frequency

Tab. 5-47: Control method and switching frequency

NOTES

The reference frequency during acceleration/deceleration depends on the Pr. 29 "Acceleration/deceleration pattern selection" setting. (Refer to page 5-107.)

The RT signal can be assigned to an input terminal by setting Pr. 178 to Pr. 189 (input terminal function selection). Changing the terminal assignment may affect other functions. Set parameters after confirming the function of each terminal.

The RT signal acts as the second function selection signal and makes the other second functions valid. (Refer to page 5-291.)

RT signal is assigned to the terminal RT in the initial status. Set "3" in any of Pr. 178 to Pr. 189 (input terminal function selection) to assign the RT signal to another terminal.

Setting the acceleration/deceleration time in the low-speed range (Pr. 791, Pr. 792)

If torque is required in the low-speed range (less than 10% of the rated motor frequency) under PM motor control, set the Pr. 791 "Acceleration time in low-speed range" and Pr. 792 "Deceleration time in low-speed range" settings higher than the Pr. 7 "Acceleration time" and Pr. 8 "Deceleration time" settings so that the mild acceleration/deceleration is performed in the low-speed range. (When RT signal is turned ON, the second acceleration/deceleration time setting is prioritized.)

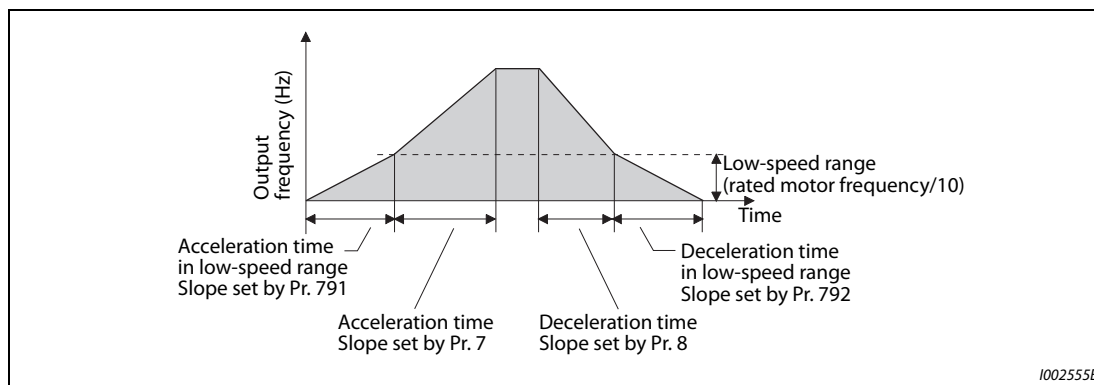


Fig. 5-19: Setting the acceleration/deceleration time in the low-speed range

NOTES

Set Pr. 791 higher than Pr. 7, and Pr. 792 higher than Pr. 8. If set as Pr. 791 < Pr. 7, the operation is performed as Pr. 791 = Pr. 7. If set as Pr. 792 < Pr. 8, the operation is performed as Pr. 792 = Pr. 8.

Refer to page 8-4 for the rated motor frequency of MM-EFS/MM-THE4.

Parameters referred to			
Pr. 3	Base frequency	=>	page 5-537
Pr. 10	DC injection brake operation frequency	=>	page 5-545
Pr. 29	Acceleration/deceleration pattern selection	=>	page 5-107
Pr. 125, Pr. 126	(frequency setting gain frequency)	=>	page 5-266
Pr. 178 to Pr. 182	(input terminal function selection)	=>	page 5-285
Pr. 264	Power-failure deceleration time 1	=>	page 5-432
Pr. 265	Power-failure deceleration time 2	=>	page 5-432

5.5.2 Acceleration/deceleration pattern

The acceleration/deceleration pattern can be set according to the application.

In addition, the backlash measures that stop acceleration/deceleration by the frequency or time set with parameters at acceleration/deceleration can be set.

Pr.	Name	Initial value	Setting range	Description
29 F100	Acceleration/deceleration pattern selection	0	0	Linear acceleration/deceleration
			1	S-pattern acceleration/deceleration A
			2	S-pattern acceleration/deceleration B
			3	Backlash measures
			6	Variable-torque acceleration/deceleration
140 F200	Backlash acceleration stopping frequency	1 Hz	0 to 590 Hz	Set the stopping frequency and time during backlash measures. Valid by backlash measures (Pr. 29 = "3").
141 F201	Backlash acceleration stopping time	0.5 s	0 to 360 s	
142 F202	Backlash deceleration stopping frequency	1 Hz	0 to 590 Hz	
143 F203	Backlash deceleration stopping time	0.5 s	0 to 360 s	

Linear acceleration/deceleration (Pr. 29 = "0" initial value)

When the frequency is changed for acceleration, deceleration, etc. during inverter operation, the output frequency is changed linearly (linear acceleration/deceleration) to reach the set frequency without straining the motor and inverter. Linear acceleration/deceleration has a uniform frequency/time slope.

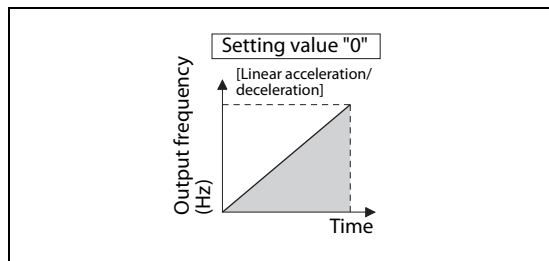


Fig. 5-20:
Characteristic for parameter 29 = 0

1002556E

S-pattern acceleration/deceleration A (Pr. 29 = "1")

- Use this when acceleration/deceleration is required for a short time until a high-speed area equal to or higher than the base frequency, such as for the main shaft of the machine.
- The acceleration/deceleration pattern has the Pr. 3 "Base frequency" (Pr. 84 "Rated motor frequency" under PM motor control) (fb) as the point of inflection in an S-pattern curve, and the acceleration/deceleration time can be set to be suitable for the motor torque reduction in the constant-power operation range at the base frequency (fb) or more.

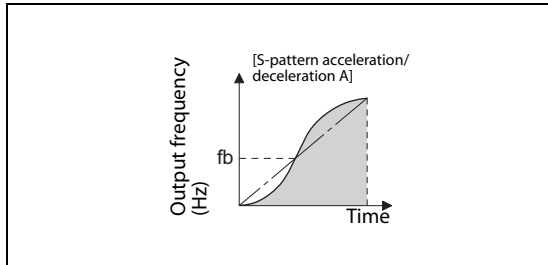


Fig. 5-21:
Characteristic for parameter 29 = 1

1002557E_B

- Acceleration/deceleration time calculation method when the set frequency is equal to or higher than the base frequency

$$\text{Acceleration time } t = (4/9) \times (T/fb^2) \times f^2 + (5/9) \times T$$

T: acceleration/deceleration time (s)

f: set frequency (Hz)

fb: base frequency (rated motor frequency)

- Reference (0 Hz to set frequency) of acceleration/deceleration time when Pr. 3 = "60 Hz"

Acceleration/deceleration time (s)	Set frequency (Hz)			
	60	120	200	400
5	5	12	27	102
15	15	35	82	305

Tab. 5-48: Acceleration/deceleration times when Pr. 3 = 60 Hz

NOTE

For the acceleration/deceleration time setting of the S-pattern acceleration/deceleration A, set the time to Pr. 3 (Pr. 84 under PM motor control) instead of Pr. 20 "Acceleration/deceleration reference frequency".

S-pattern acceleration/deceleration B (Pr. 29 = "2")

This is useful for preventing collapsing stacks such as on a conveyor. S-pattern acceleration/deceleration B can reduce the impact during acceleration/deceleration by accelerating/decelerating while maintaining an S-pattern from the present frequency (f_2) to the target frequency (f_1).

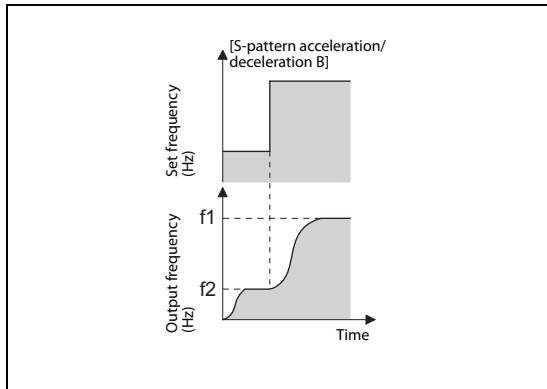


Fig. 5-22:
Characteristic for parameter 29 = 2

1002558E_B

Backlash measures (Pr. 29 = "3", Pr. 140 to Pr. 143)

- Reduction gears have an engagement gap and have a dead zone between forward rotation and reverse rotation. This dead zone is called backlash, and this gap disables a mechanical system from following motor rotation. More specifically, a motor shaft develops excessive torque when the direction of rotation changes or when constant-speed operation shifts to deceleration, resulting in a sudden motor current increase or regenerative status.
- To avoid backlash, acceleration/deceleration is temporarily stopped. Set the acceleration/deceleration stopping frequency and time in Pr. 140 to Pr. 143.

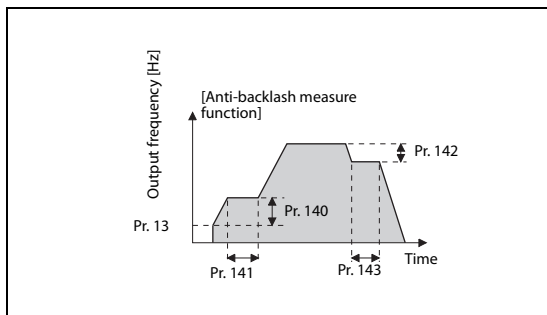


Fig. 5-23:
Anti-backlash measure function

1002559E_B

NOTE

Setting the backlash measures increases the acceleration/deceleration time by the stopping time.

Variable-torque acceleration/deceleration (Pr. 290 = "6")

This function is suitable to accelerate/decelerate a variable torque load such as a fan and blower in a short time.

Linear acceleration/deceleration is performed in the area where the output frequency > base frequency.

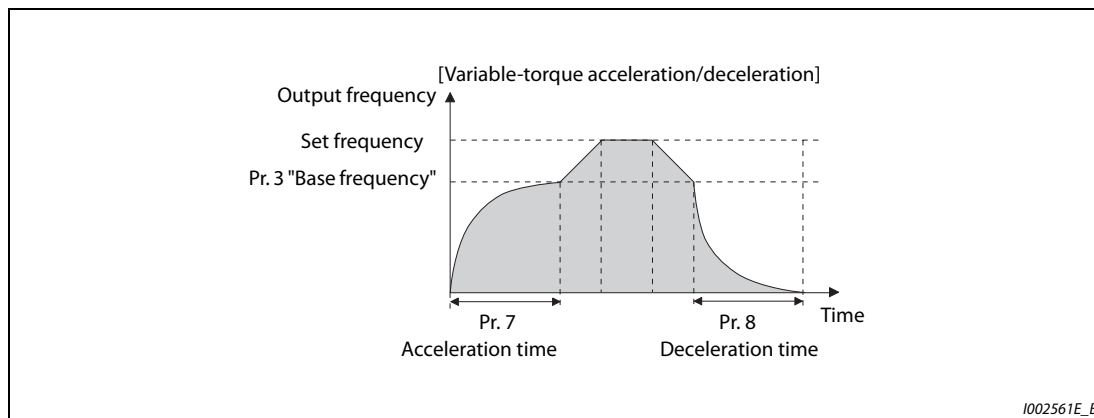


Fig. 5-24: Characteristic for parameter 29 = 6

NOTES

When the base frequency is out of the range 45 to 65 Hz, the linear acceleration/deceleration is performed even if Pr. 29 = "6".

Even if Pr. 14 "Load pattern selection" = "1 (variable torque load)", variable torque acceleration/deceleration setting is prioritized and the inverter operates as Pr. 14 = "0 (constant torque load)".

For the variable torque acceleration/deceleration time setting, set the time period to reach Pr. 3 "Base frequency". (Not the time period to reach Pr. 20 "Acceleration/deceleration reference frequency".)

The variable torque acceleration/deceleration is disabled during PM motor control. (Linear acceleration/deceleration is performed.)

Parameters referred to			
Pr. 3	Base frequency	=>	page 5-537
Pr. 7	Acceleration time	=>	page 5-102
Pr. 8	Deceleration time	=>	page 5-102
Pr. 20	Acceleration/deceleration reference frequency	=>	page 5-102
Pr. 10	DC injection brake operation frequency	=>	page 5-545
Pr. 178 to Pr. 182	(input terminal function selection)	=>	page 5-285

5.5.3 Remote setting function

Even if the operation panel is located away from the enclosure, contact signals can be used to perform continuous variable-speed operation, without using analog signals.

By simply setting this parameter, the acceleration, deceleration and setting clear functions of the remote speed setter (FR-FK) become available.

Pr.	Name	Initial value	Setting range	Description		
				RH, RM, RL signal function	Frequency setting storage function	Deceleration to the frequency lower than the set frequency
59 F101	Restart cushion time	0	0	Multi-speed setting	—	Disabled
			1	Remote setting	With	
			2	Remote setting	Without	
			3	Remote setting	Without (Turning STF/STR OFF clears remotely-set frequency.)	Enabled
			11	Remote setting	With	
			12	Remote setting	Without	
			13	Remote setting	Without (Turning STF/STR OFF clears remotely-set frequency.)	

Remote setting function

- Use Pr. 59 to enable/disable the remote setting function and enable/disable the frequency setting storage function during remote setting.
- When Pr. 59 \neq "0" (remote setting function valid), the functions of the RH, RM and RL signals are changed to acceleration (RH), deceleration (RM) and clear (RL).

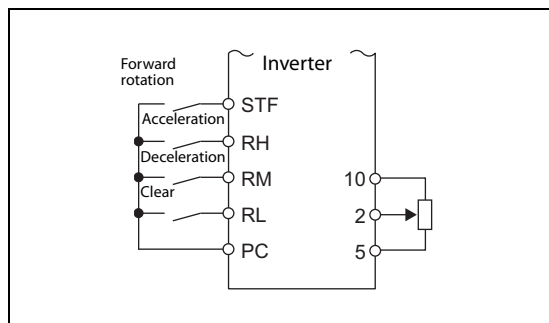


Fig. 5-25:
Connection diagram for remote setting

I002562E_G

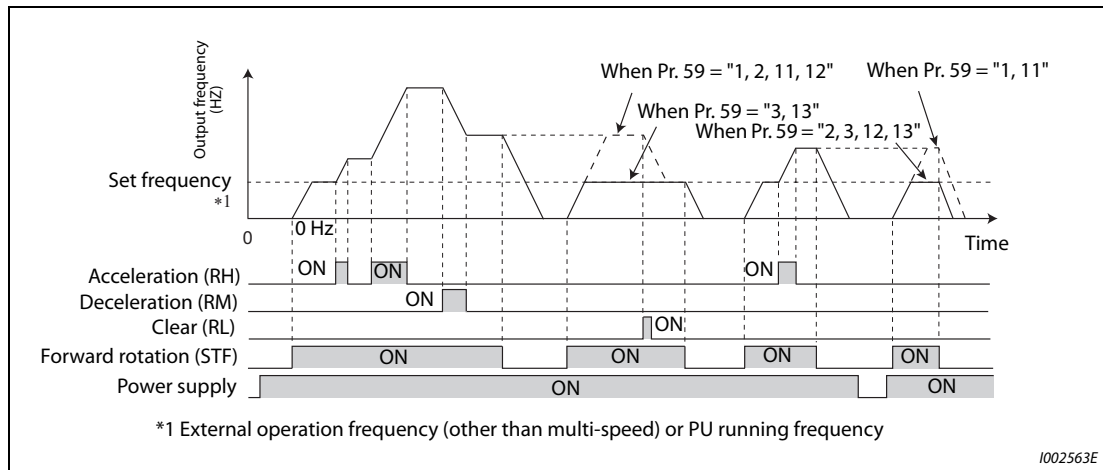


Fig. 5-26: Example of the remote setting function

Acceleration/deceleration operation

- When the acceleration signal (RH) is turned ON, the set frequency increases. The increased speed at this time is determined by the setting of Pr. 44 "Second acceleration/deceleration time". Turning OFF the RH signal will stop increasing the set frequency and run the motor at the frequency at that time.
- When the deceleration signal (RM) is turned ON, the set frequency decreases. The decreased speed at this time is determined by the setting of Pr. 45 "Second deceleration time". When Pr. 45 = "9999", the deceleration speed is the same as Pr. 44 setting. Turning OFF the RM signal will stop decreasing the set frequency and runs the motor at the frequency at that time.
- When Pr. 59 = any of "11, 12 or 13", deceleration can be performed to a frequency equal to or lower than the main speed (External operation mode frequency except multi-speed or PU operation mode frequency).

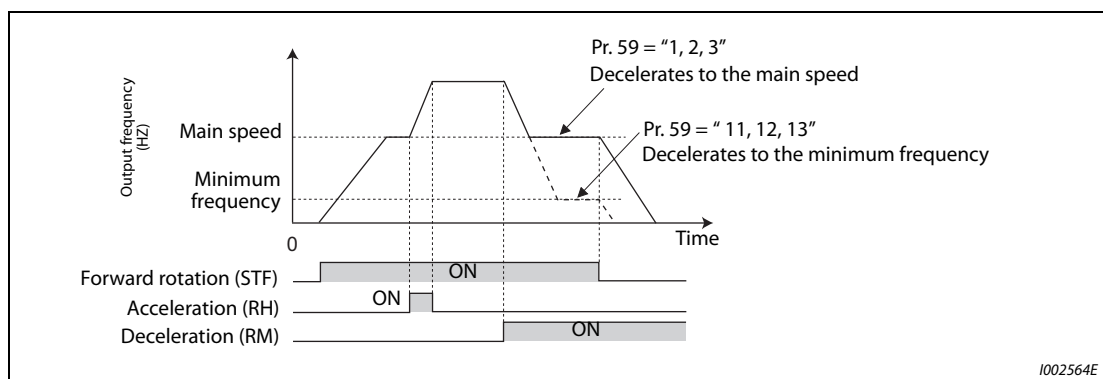


Fig. 5-27: Acceleration/deceleration operation

NOTE

While the RT signal is OFF, Pr. 44 "Second acceleration/deceleration time" and Pr. 45 "Second deceleration time" are used as the set frequency accelerating/decelerating time at turn ON of the acceleration/deceleration signal. If the Pr. 7 and Pr. 8 settings are longer, the acceleration/deceleration time set by Pr. 7 and Pr. 8 are applied.

While the RT signal is ON, Pr. 44 and Pr. 45 settings are used as the acceleration/deceleration time regardless of the Pr. 7 and Pr. 8 settings.

Output frequency

- During External operation, the remotely-set frequency set with RH and RM signals is added to the terminal 4 input and External operation mode frequency (PU operation mode frequency when Pr. 79 = "3" (External and PU combined operation)) except multi-speed setting. (When compensating analog input, set Pr. 28 "Multi-speed input compensation selection" = "1". If the RH and RM signals are used for acceleration/deceleration while the frequency is set by analog voltage input (terminal 2 or 4, selected by Pr. 28 = "0"), the auxiliary input via the terminal 1 is disabled.)
- During PU operation, the remotely-set frequency set with RH and RM signal operation is added to the PU running frequency.

Frequency setting storage

- When Pr. 59 = "1, 11", the remotely-set frequency (frequency set by RH/RM operation) is stored to the memory (EEPROM). When power is switched OFF once, then ON, operation is resumed with the stored set frequency.
- When Pr. 59 = "2, 3, 12, 13", the set frequency is not stored, so when switching the power ON again after being switched OFF, the remotely-set frequency becomes 0 Hz.
- The remotely-set frequency is stored at the point when the start signal (STF or STR) turns OFF. Remotely-set frequency is stored every minute after turning OFF (ON) the RH and RM signals together. Each minute, the frequency is overwritten in the EEPROM if the latest frequency is different from the previous one when comparing the two. This cannot be written with RL signals.

NOTE

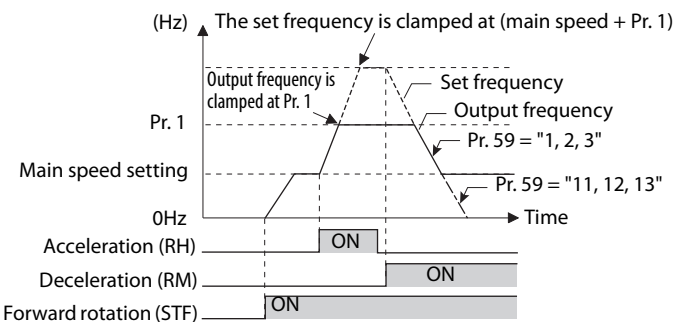
When switching the start signal from ON to OFF, or changing frequency by the RH or RM signal frequently, set the frequency setting value storage function (write to EEPROM) invalid (Pr. 59 = "2, 3, 12, 13"). If the frequency setting value storage function is valid (Pr. 59 = "1, 11"), the frequency is written to EEPROM frequently, and this will shorten the life of the EEPROM.

Clearing the settings

When Pr. 59 = "1, 2, 11, 12" and the clear signal (RL) is turned ON, the remotely-set frequency is cleared. When Pr. 59 = "3, 13" and the STF (STR) signal is turned OFF, the remotely-set frequency is cleared.

NOTES

The range of frequency changeable by acceleration signal (RH) and deceleration signal (RM) is 0 to maximum frequency (Pr. 1 or Pr. 18 setting). Note that the maximum value of set frequency is (main speed + maximum frequency).



Even if the start signal (STF or STR) is OFF, turning ON the RH or RM signal varies the preset frequency.

The RH, RM, or RL signal can be assigned to an input terminal by setting Pr. 178 to Pr. 189 (input terminal function selection). Changing the terminal assignment may affect other functions. Set parameters after confirming the function of each terminal.

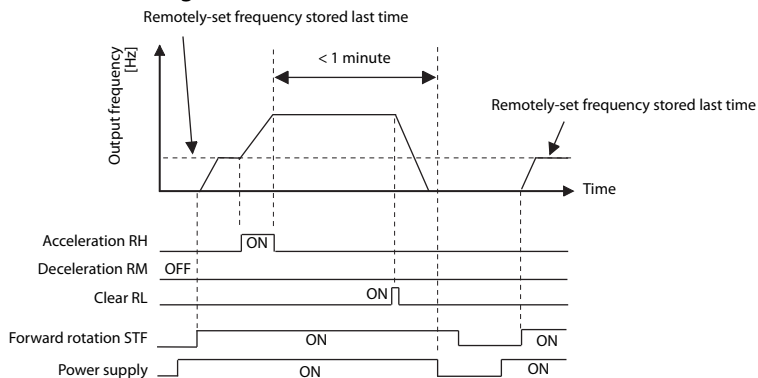
The inverter can be used in the Network operation mode.

The remote setting function is invalid during JOG operation and PID control operation.

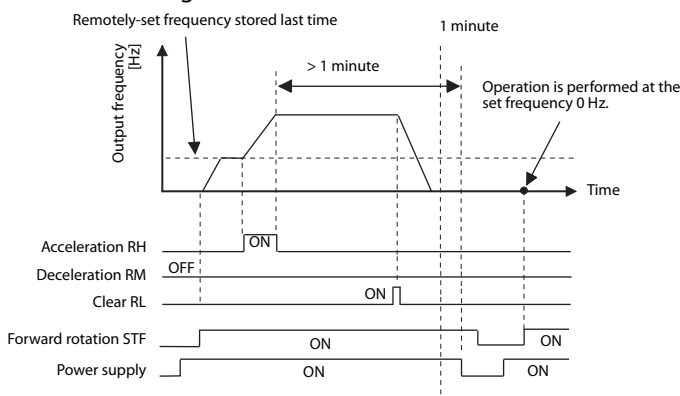
The multi-speed operation function is invalid when remote setting function is selected.

Setting frequency is "0".

Even when the remotely-set frequency is cleared by turning ON the RL (clear) signal after turning OFF (ON) both the RH and RM signals, the inverter operates at the remotely-set frequency stored in the last operation if power is reapplied before one minute has elapsed since turning OFF (ON) both the RH and RM signals.



When the remotely-set frequency is cleared by turning ON the RL (clear) signal after turning OFF (ON) both the RH and RM signals, the inverter operates at the frequency in the remotely-set frequency cleared state if power is reapplied before one minute has elapsed since turning OFF (ON) both the RH and RM signals.



CAUTION:

When using the remote setting function, set the maximum frequency again according to the machine.

Parameters referred to			
Pr. 1	Maximum frequency	=>	page 5-176
Pr. 18	High speed maximum frequency	=>	page 5-176
Pr. 7	Acceleration time	=>	page 5-102
Pr. 8	Deceleration time	=>	page 5-102
Pr. 44	Second acceleration/deceleration time	=>	page 5-102
Pr. 45	Second deceleration time	=>	page 5-102
Pr. 28	Multi-speed input compensation selection	=>	page 5-60
Pr. 178 to Pr. 182	(input terminal function selection)	=>	page 5-285

5.5.4 Starting frequency and start-time hold function

It is possible to set the starting frequency and hold the set starting frequency for a certain period of time.

Set these functions when a starting torque is needed or the motor drive at start needs smoothing.

Pr.	Name	Initial value	Setting range	Description
13 F102	Starting frequency	0.5 Hz	0 to 60 Hz	Set the starting frequency at which the start signal is turned ON.
571 F103	Holding time at a start	9999	0 to 10 s	Set the holding time of Pr. 13.
			9999	The holding function at a start is invalid.

Starting frequency setting (Pr. 13)

- The frequency at start can be set in the range of 0 to 60 Hz.
- Set the starting frequency at which the start signal is turned ON.

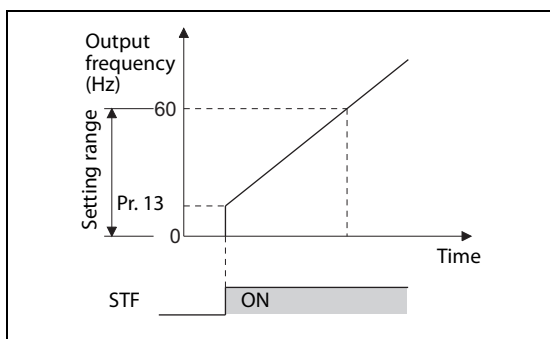


Fig. 5-28:
Starting frequency parameter

1002566E

NOTE

The inverter does not start if the frequency setting signal is less than the value set in Pr. 13. For example, while Pr. 13 = 5 Hz, the inverter output starts when the frequency setting signal reaches 5 Hz.

Start-time hold function (Pr. 571)

- This function holds during the period set in Pr. 571 and the output frequency set in Pr. 13 "Starting frequency".
- This function performs initial excitation to smooth the motor drive at a start.

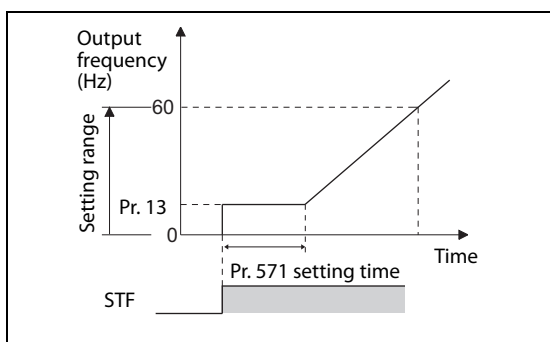


Fig. 5-29:
Holding time at start

1002567E

NOTES

When Pr. 13 = "0 Hz", the starting frequency is held at 0.01 Hz.

When the start signal was turned OFF during start-time hold, deceleration is started at that point.

At switching between forward rotation and reverse rotation, the starting frequency is valid but the start-time hold function is invalid.

**CAUTION:**

Note that when Pr. 13 is set to any value equal to or lower than the setting of Pr. 2 "Minimum frequency", simply turning ON the start signal will run the motor at the frequency set in Pr. 2 even if the command frequency is not input.

Parameters referred to

Pr. 2	Minimum frequency	=>	page 5-176
-------	-------------------	----	------------

5.5.5 Minimum motor speed frequency PM

Set the frequency where the PM motor starts running.

Set the deadband in the low-speed range to eliminate noise and offset deviation when setting a frequency with analog input.

Pr.	Name	Initial value	Setting range	Description
13 F102	Starting frequency	Minimum frequency/ Minimum rotations per minute	0 to 60 Hz	Set the frequency where the motor starts running.

Starting frequency setting (Pr. 13)

- The frequency where the PM motor starts running can be set in the range of 0 to 60 Hz.
- While the frequency command is less than the Pr. 13 "Starting frequency" setting, the PM motor is stopped.
When the frequency command reaches the set frequency or higher, the PM motor accelerates according to the Pr. 7 "Acceleration time" setting.

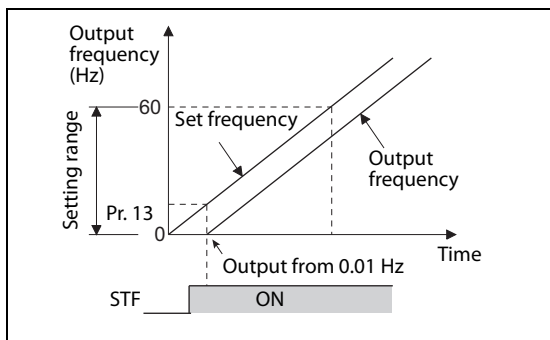


Fig. 5-30:
Starting frequency parameter

1002568E

NOTES

Under induction motor control (under V/F control and Advanced magnetic flux vector control), the output starts at the frequency set in Pr. 13. Under PM motor control, the output always starts at 0.01 Hz.

The inverter output does not start when the frequency-setting signal is less than Pr. 13. For example, while Pr. 13 = "20 Hz", the inverter output starts when the frequency setting signal reaches 20 Hz.



CAUTION:

Note that when Pr. 13 is set to any value equal to or lower than the setting of Pr. 2 "Minimum frequency", simply turning ON the start signal will run the motor at the frequency set in Pr. 2 even if the command frequency is not input.

Parameters referred to			
Pr. 2	Minimum frequency	=>	page 5-176
Pr. 7	Acceleration time	=>	page 5-102

5.6 (D) Operation command and frequency command

Purpose	Parameter to set			Refer to page
To select the operation mode	Operation mode selection	P.D000	Pr. 79	5-119
To start up in Network operation mode at power-ON	Communication startup mode selection	P.D000, P.D001	Pr. 79, Pr. 340	5-128
To select the command source during communication operation	Operation and speed command sources during communication operation, command source selection	P.D010 to P.D013	Pr. 338, Pr. 339, Pr. 550, Pr. 551	5-130
To prevent motor from rotating reversely	Reverse rotation prevention selection	P.D020	Pr. 78	5-139
To set the frequency by pulse train input	Pulse train input	P.D100, P.D101, P.D110, P.D111	Pr. 291, Pr. 384 to Pr. 386	5-140
To perform JOG operation	JOG operation	P.D200, P.F002	Pr. 15, Pr. 16	5-144
To control frequency with combinations of terminals	Multi-speed operation	P.D300 to P.D315	Pr. 28, Pr. 4 to Pr. 6, Pr. 24 to Pr. 27, Pr. 232 to Pr. 239	5-146




5.6.1 Operation mode selection

Select the operation mode of the inverter.

The mode can be changed among operations using external signals (External operation), operation by operation panel or parameter unit (PU operation), combined operation of PU operation and External operation (External/PU combined operation), and Network operation (when RS-485 terminals or communication option is used).

Pr.	Name	Initial value	Setting range	Description
79 D000	Operation mode selection	0	0 to 4, 6, 7	Selects the operation mode.

The following table lists valid and invalid commands in each operation mode.

Pr. 79 setting	Description	LED display ☐ :OFF ☐ :ON	Refer to page
0 (initial value)	Use the External/PU switchover mode (PU/EXT key) to switch between the PU and External operation mode. At power ON, the inverter is in the External operation mode.	PU operation mode  External operation mode  NET operation mode 	5-122
1	Operation mode	Frequency command	Start command
	PU operation mode fixed	Operation panel or parameter unit.	FWD or REV key on operation panel or parameter unit
2	External operation mode fixed. The operation can be performed by switching between the External and NET operation modes.	External signal input (terminal 2 and 4, JOG, multi-speed selection, etc.)	External signal input (terminal STF, STR)
3	External/PU combined operation mode 1	Operation panel/parameter unit or external signal input (multi-speed setting, terminal 4) ①	External signal input (terminal STF, STR)
4	External/PU combined operation mode 2	External signal input (terminal 2 and 4, JOG, multi-speed selection, etc.)	FWD or REV key on operation panel or parameter unit
6	Switchover mode Switching of PU, External, and NET operation modes can be performed during operation.		
7	External operation mode (PU operation interlock) X12 signal ON: Switchover to PU operation mode enabled (during External operation, output shutoff) X12 signal OFF: Switchover to PU operation mode disabled		

Tab. 5-49: Settings of Pr. 79

① The priority of frequency commands when Pr. 79 = "3" is "multi-speed operation (RL/RM/RH/REX) > PID control (X14) > terminal 4 analog input (AU) > digital input by operation panel".

Operation mode basics

- The operation mode specifies the source of the start command and the frequency command for the inverter.
- Basically, there are following operation modes.
 - External operation mode:** For inputting a start command and a frequency command with an external potentiometer and switches which are connected to the control circuit terminal.
 - PU operation mode:** For inputting a start command and a frequency command with the operation panel, parameter unit, or the RS-485 communication via PU connector.
 - Network operation mode (NET operation mode):** For inputting a start command and a frequency command using the RS-485 terminals or communication option.
- The operation mode can be selected from the operation panel or with the communication instruction code.

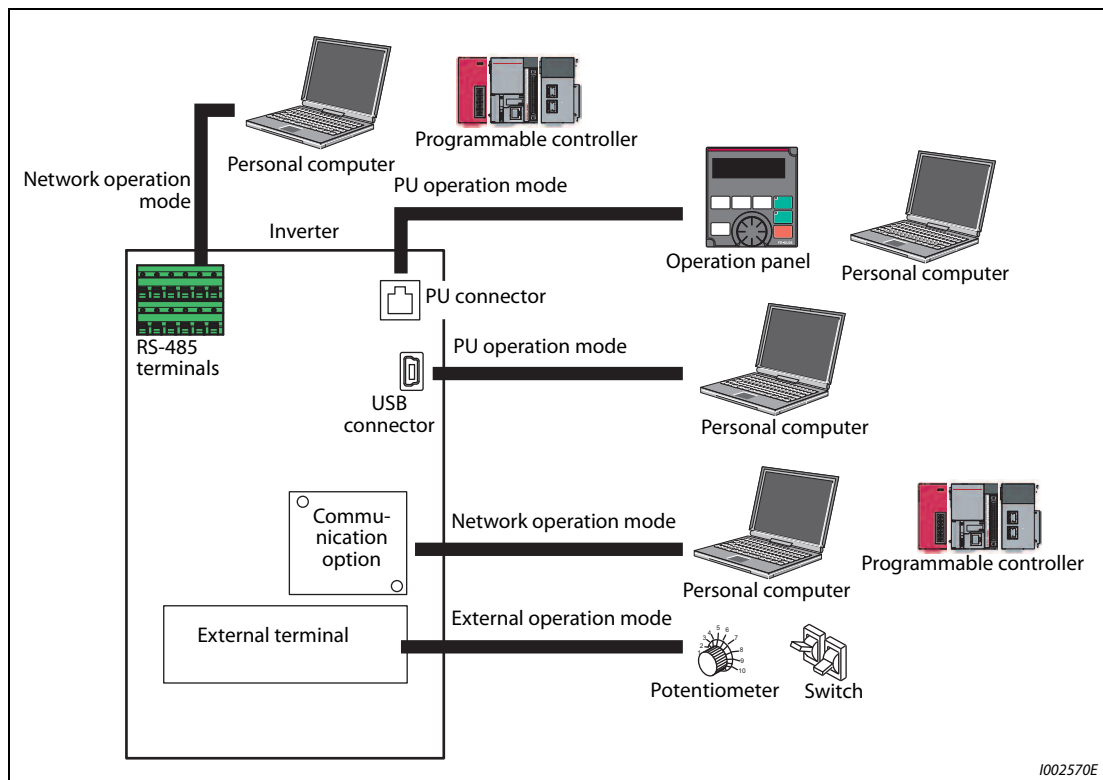



Fig. 5-31: Operation modes of the inverter

NOTES

There are two settings of "3" and "4" with PU/External combined operation. The startup method differs according to the setting value.

In the initial setting, the stop function (PU stop selection) by the operation panel or the parameter unit  is effective in modes other than the PU operation mode. (Refer to Pr. 75 "Reset selection/disconnected PU detection/PU stop selection" on page 5-63.)

Operation mode switching method

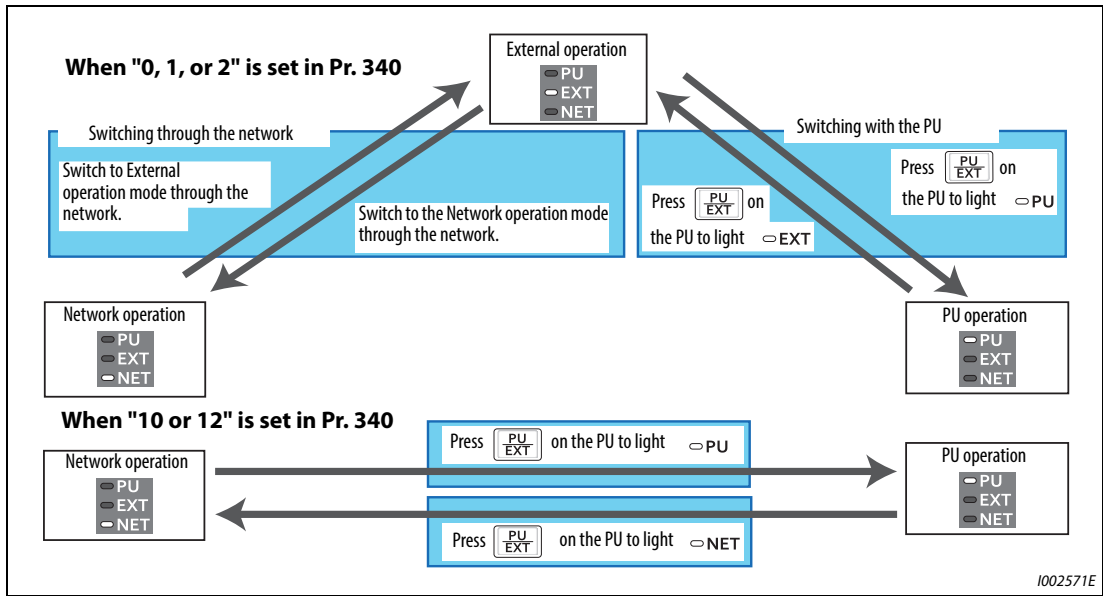


Fig. 5-32: Switching the operation mode

NOTE

For details on switching by external terminals, refer to the following pages.

- PU operation external interlock signal (X12) => page 5-124
- PU-External operation switchover signal (X16) => page 5-126
- External-NET operation switchover signal (X65), NET-PU operation switchover signal (X66) => page 5-126
- Pr. 340 "Communication startup mode selection" => page 5-128

Operation mode selection flow

Referring to the following table, select the basic parameter settings or terminal wiring related to the operation mode.

Start command input method	Frequency setting method	Terminal wiring	Parameter setting	Operation method
External signal input (terminal STF, STR)	External (terminal 2 and 4, JOG, multi-speed, etc.)	STF (forward rotation)/STR (reverse rotation) (Refer to page 5-293.) Terminal 2 and 4 (analog) RL, RM, RH, JOG, etc.	Pr. 79 = "2" (External operation mode fixed)	<ul style="list-style-type: none"> ● Frequency setting Frequency setting terminal ON ● Start command STF(STR)-ON
	PU (digital setting)	STF (forward rotation)/STR (reverse rotation) (Refer to page 5-293.)	Pr. 79 = "3" (External/PU combined operation 1)	<ul style="list-style-type: none"> ● Frequency setting DU digital setting ● Start command STF(STR)-ON
	Communication (RS-485 terminals)	STF (forward rotation)/STR (reverse rotation) (Refer to page 5-293.) RS-485 terminals (Refer to page 5-455.)	Pr. 338 = "1" Pr. 340 = "1, 2"	<ul style="list-style-type: none"> ● Frequency setting Transmit a frequency command via communication. ● Start command STF(STR)-ON
	Communication (communication option)	Terminals for communication option (Refer to the Instruction Manual of the communication option.)	Pr. 338 = "1" Pr. 340 = "1"	<ul style="list-style-type: none"> ● Frequency setting Transmit a frequency command via communication. ● Start command STF(STR)-ON

Tab. 5-50: Flowchart for selecting the operation mode (1)

Start command input method	Frequency setting method	Terminal wiring	Parameter setting	Operation method
PU (FWD/REV key)	External (terminal 2 and 4, JOG, multi-speed, etc.)	Terminal 2 and 4 (analog) RL, RM, RH, JOG, etc.	Pr. 79 = "4" (External/PU combined operation 2)	<ul style="list-style-type: none"> Frequency setting Frequency setting terminal ON Start command FWD/REV key ON
	PU (digital setting)	—	Pr. 79 = "1" (PU operation mode fixed)	<ul style="list-style-type: none"> Frequency setting Digital setting Start command FWD/REV key ON
	Communication (RS-485 terminals/communication option)	N/A		
Communication (RS-485 terminals)	External (terminal 2 and 4, JOG, multi-speed, etc.)	RS-485 terminals (Refer to page 5-455.) Terminal 2 and 4 (analog) RL, RM, RH, JOG, etc.	Pr. 339 = "1" Pr. 340 = "1, 2"	<ul style="list-style-type: none"> Frequency setting Frequency setting terminal ON Start command Transmit a start command via communication
	PU (digital setting)	N/A		
	Communication RS-485 terminals	RS-485 terminals (Refer to page 5-455.)	Pr. 340 = "1, 2"	<ul style="list-style-type: none"> Frequency setting Transmit a frequency command via communication. Start command Transmit a start command via communication
Communication (Communication option)	External (terminal 2 and 4, JOG, multi-speed, etc.)	Terminals for communication option (Refer to the Instruction Manual of the communication option.) Terminal 2 and 4 (analog) RL, RM, RH, JOG, etc.	Pr. 339 = "1" Pr. 340 = "1"	<ul style="list-style-type: none"> Frequency setting Frequency setting terminal ON Start command Transmit a start command via communication
	PU (digital setting)	N/A		
	Communication (communication option)	Terminals for communication option (Refer to the Instruction Manual of the communication option.)	Pr. 340 = "1"	<ul style="list-style-type: none"> Frequency setting Transmit a frequency command via communication. Start command Transmit a start command via communication

Tab. 5-50: Flowchart for selecting the operation mode (2)

External operation mode (Pr. 79 = "0" (initial value), "2")

- Select the External operation mode when the start command and the frequency command are applied from a frequency setting potentiometer, start switch, etc. which are provided externally and connected to the control circuit terminals of the inverter.
- Generally, parameter change cannot be performed from the operation panel in the External operation mode. (Some parameters can be changed. Refer to Pr. 77 "Parameter write selection" page 5-72.)
- When Pr. 79 = "0 or 2", the inverter starts up in the External operation mode at power-ON. (When using the Network operation mode, refer to page 5-128.)
- When parameter changing is seldom necessary, setting "2" fixes the operation mode to the External operation mode.
When frequent parameter changing is necessary, setting "0" (initial value) allows the operation mode to be changed easily to the PU operation mode by pressing the PU/EXT key of the operation panel. After switching to the PU operation mode, always return to the External operation mode.
- The STF and STR signal are used as a start command, and the voltage to terminal 2 and 4, current signal, multi-speed signal, and JOG signal are used as a frequency command.

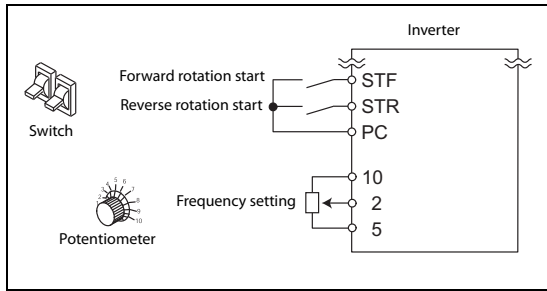


Fig. 5-33:
External operation mode

I002446E_G

PU operation mode (Pr. 79 = "1")

- Select the PU operation mode when applying start and frequency commands by only the key operation of the operation panel or the parameter unit. Also select the PU operation mode when making communication using the PU connector.
- When Pr. 79 = "1", the inverter starts up in the PU operation mode at power-ON. The mode cannot be changed to other operation modes.
- The setting dial of the operation panel can be used for setting like a potentiometer (refer to Pr. 161 "Frequency setting/key lock operation selection" on page 5-69).
- When the PU operation mode is selected, the PU operation mode signal (PU) can be output. For the terminal used for the PU signal, set "10 (positive logic)" or "110 (negative logic)" in any of Pr. 190 to Pr. 196 (output terminal function selection) to assign the function.

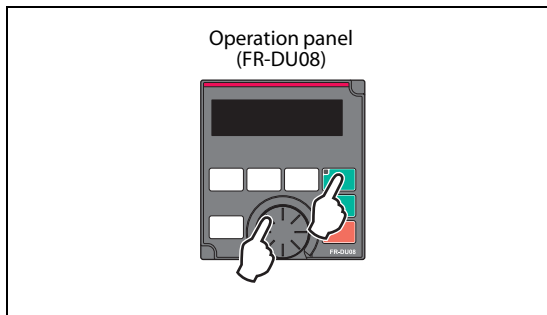


Fig. 5-34:
PU operation mode

I002572E

PU/External combined operation mode 1 (Pr. 79 = "3")

- Select the PU/External combined operation mode 1 when applying a frequency command from the operation panel or the parameter unit and inputting a start command with the external start switches.
- Set "3" in Pr. 79. The mode cannot be changed to other operation modes.
- When a frequency is input from the external signal by multi-speed setting, it has a higher priority than the frequency command from the PU. Also, when AU is set to "ON", the command signal is output to the terminal 4.

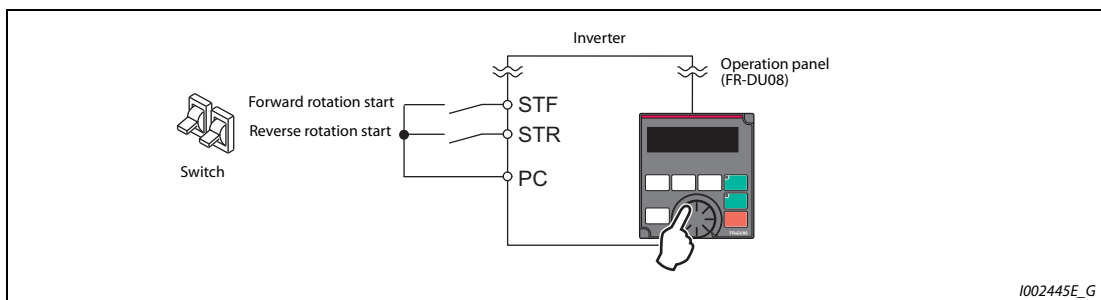


Fig. 5-35: Combined operation mode 1

I002445E_G

PU/External combined operation mode 2 (Pr. 79 = "4")

- Select the PU/External combined operation mode 2 when applying a frequency command from the external potentiometer, or multi-speed and JOG signals, and inputting a start command by key operation of the operation panel or the parameter unit.
- Set "4" in Pr. 79. The mode cannot be changed to other operation modes.

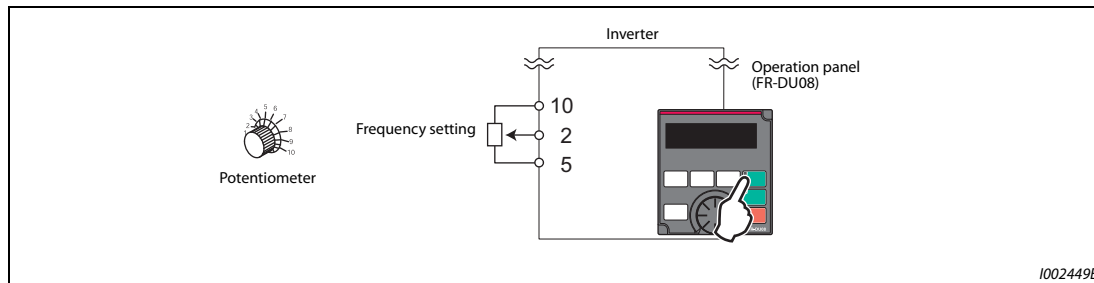


Fig. 5-36: Combined operation mode 2

Switchover mode (Pr. 79 = "6")

PU, External and Network operation (when RS-485 terminals or communication option is used) can be switched among during operation.

Operation mode switchover	Operation switchover/Operating status
External operation → PU operation	Set to the PU operation mode on the operation panel and the parameter unit. <ul style="list-style-type: none"> ● As the direction of rotation, the direction that was active by External operation is continued. ● For the setting frequency, the setting of the potentiometer (frequency command) is continued. (Note, however, that the setting disappears when the power is turned OFF or when the inverter is reset.)
External operation → NET operation	The switchover command to the Network operation mode is transmitted via communication. <ul style="list-style-type: none"> ● As the direction of rotation, the direction that was active by External operation is continued. ● The setting by the setting potentiometer (frequency command) is kept. (Note, however, that the setting disappears when the power is turned OFF or when the inverter is reset.)
PU operation → External operation	Press the External operation key on the operation panel and the parameter unit. <ul style="list-style-type: none"> ● The direction of operation is determined by the External operation input signal. ● The setting frequency is determined by the external frequency command signal.
PU operation → NET operation	The switchover command to the Network operation mode is transmitted via communication. <ul style="list-style-type: none"> ● For the direction of operation and setting frequency, the status during PU operation is continued.
NET operation → External operation	The switchover command to the External operation mode is transmitted via communication. <ul style="list-style-type: none"> ● The direction of operation is determined by the External operation input signal. ● The setting frequency is determined by the external frequency command signal.
NET operation → PU operation	Switch to the PU operation mode on the operation panel and the parameter unit. <ul style="list-style-type: none"> ● For the direction of operation and frequency, the status during Network operation is continued.

Tab. 5-51: Operation states in the switch-over mode

PU operation interlock (Pr. 79 = "7")

- The operation mode can be forcibly switched to the External operation mode by input of the PU operation interlock (X12) signal. This function prevents the operation mode from being accidentally unswitched from the PU operation mode. If the operation mode left unswitched from the PU operation mode, the inverter does not reply to the commands sent through external commands.
- Set Pr. 79 = "7" (PU operation interlock).
- To input the X12 signal, set "12" in any of Pr. 178 to Pr. 189 (input terminal function selection) to assign the function to a terminal. (For details on Pr. 178 to Pr. 189, refer to page 5-285.)

- If the X12 signal is not assigned, the function of the MRS signal is switched to PU operation internal signal from MRS (output stop).

X12 (MRS) signal	Function/Operation	
	Operation mode	Parameter writing ^①
ON	Switching of the operation mode (External, PU, and NET) is enabled. Output is stopped during External operation.	Parameter writing enabled
OFF	Operation mode is forcefully changed to the External operation mode. External operation is enabled. Switching to the PU or NET operation mode from the External operation mode is disabled.	Writing of parameters other than Pr. 79 is disabled.

Tab. 5-52: Function of the X12 signal

- ^① Depends on the Pr. 77 "Parameter write selection" setting and the writing conditions of each parameter. (Refer to page 5-72.)

- Functions/operations by X12 (MRS) signal ON/OFF

Operating status		X12 (MRS) signal	Operation mode	Operating status	Switching to PU or NET operation mode
Operation mode	Status				
PU/NET	during a stop	ON → OFF ^①	External ^②	If frequency and start commands are input from external source, the inverter runs by those commands.	Not available
	Running	ON → OFF ^①			Not available
External	during a stop	OFF → ON	External ^②	during a stop	Available
		ON → OFF			Not available
	Running	OFF → ON		Running → Output shutoff	Not available
		ON → OFF		Output shutoff → Running	Not available

Tab. 5-53: Switching the X12 (MRS) signal

- ^① The mode is switched to the External operation mode regardless of the ON/OFF state of the start signals (STF, STR). Thus, the motor runs under the External operation mode when the X12 (MRS) signal turns OFF with either of STF or STR in an ON state.
- ^② When a fault occurs, the inverter can be reset by pressing the STOP/RESET key on the operation panel.

NOTES

The operation mode cannot be switched to the PU operation mode with the start signal (STF, STR) in an ON state even if the X12 (MRS) signal is ON.

If the MRS signal is ON and Pr. 79 is written to a value other than "7" when the MRS signal is used as the PU interlock signal during PU operation mode, the MRS signal will act as a regular MRS function (output stop). Also, when Pr. 79 = "7", the MRS signal becomes the PU interlock signal.

The logic of the signal follows the Pr. 17 "MRS input selection" setting also when the MRS signal is used as the PU operation interlock signal. When Pr. 17 = "2", ON and OFF in the above explanation are reversed.

Changing the terminal assignment using Pr. 178 to Pr. 189 (input terminal function selection) may affect the other functions. Set parameters after confirming the function of each terminal.

Switching operation mode by external signal (X16 signal)

- When External operation and the operation from the operation panel are used together, the PU operation mode and External operation mode can be switched during a stop (during motor stop, start command OFF) by using the PU-External operation switchover signal (X16).
- When Pr. 79 = "0", "6" or "7", switching between the PU operation mode and External operation mode is possible. (When Pr. 79 = "6", the switchover can also be made during operation.)
- To input the X16 signal, set "16" in any of Pr. 178 to Pr. 189 (input terminal function selection) to assign the function to a terminal.

Pr. 79 setting	X16 signal status and operation mode		Remarks
	ON (External)	OFF (PU)	
0 (initial value)	External operation mode	PU operation mode	Switching among the External, PU, and NET operation modes is enabled.
1	PU operation mode		PU operation mode fixed
2	External operation mode		External operation mode fixed. (Switching to NET operation mode is enabled.)
3, 4	External/PU combined operation mode		External/PU combined operation mode fixed
6	External operation mode	PU operation mode	Switching among the External, PU, and NET operation mode is enabled while running.
7	X12 (MRS) ON	PU operation mode	Switching among the External, PU, and NET operation mode is enabled. (In the External operation mode, output shutoff.)
	X12 (MRS) OFF	External operation mode	

Tab. 5-54: Operation mode switching by signal X16**NOTES**

The status of the operation mode follows the Pr. 340 "Communication startup mode selection" setting and the ON/OFF state of the X65 and X66 signals. (For details, refer to page 5-126.)

The priority among Pr. 79 and Pr. 340 and signals is Pr. 79 > X12 > X66 > X65 > X16 > Pr. 340.

Changing the terminal assignment using Pr. 178 to Pr. 189 (input terminal function selection) may affect the other functions. Set parameters after confirming the function of each terminal.

Switching the operation mode by external signals (X65, X66 signals)

- When Pr. 79 = "0, 2 or 6", the PU operation mode and External operation mode can be changed to the Network operation mode during a stop (during motor stop, start command OFF) by the PU/NET operation switchover (X65) signal, the External/NET operation switchover (X66) signal. (When Pr. 79 = "6", switchover is enabled during operation.)
- To switch between the Network operation mode and the PU operation mode
 - ① Set Pr. 79 = "0 (initial value) or 6".
 - ② Set Pr. 340 "Communication startup mode selection" = "10 or 12".
 - ③ Set "65" in any of Pr. 178 to Pr. 189 to assign the NET-PU operation switching signal(X65) to a terminal.
 - ④ When the X65 signal is ON, the PU operation mode is selected. When the X65 signal is OFF, the Network operation mode is selected.

Pr. 340 setting	Pr. 79 setting	X65 signal state		Remarks
		ON (PU)	OFF (NET)	
10, 12	0 (initial value)	PU operation mode ①	NET operation mode mode ②	—
	1	PU operation mode		PU operation mode fixed
	2	NET operation mode		NET operation mode fixed
	3, 4	External/PU combined operation mode		External/PU combined operation mode fixed
	6	PU operation mode ①	NET operation mode mode ②	Switching between operation modes is enabled while running.
	7	X12 (MRS) ON	Switching between the External operation mode and PU operation mode is enabled. ②	
X12 (MRS) OFF		External operation mode		The operation mode is forcibly switched to the External operation mode.

Tab. 5-55: Operation mode switching by signal X65

- ① When the X66 signal is ON, the NET operation mode is selected.
- ② When the X16 signal is OFF, the PU operation mode is selected. Also, when "0" is set for Pr. 550 "NET mode operation command source selection" and the communication option is not connected (communication option is the command source), the PU operation mode is selected.

- To switch between the Network operation mode and the External operation mode
 - ① Set Pr. 79 = "0" (initial value) or "2, "6" or "7". (When Pr. 79 = "7" and the X12 (MRS) signal is ON, the operation mode can be switched.)
 - ② Set Pr. 340 "Communication startup mode selection" = "0" (initial value), "1" or "2".
 - ③ Set "66" in one of Pr. 178 to Pr. 189 to assign the NET-External operation switching signal (X66) to a terminal.
 - ④ When the X66 signal is ON, Network operation mode is selected. When the X66 signal is OFF, the External operation mode is selected.

Pr. 340 setting	Pr. 79 setting	X66 signal state		Remarks
		ON (NET)	OFF (External)	
0 (initial value), 1, 2	0 (initial value)	NET operation mode ①	External operation mode mode ②	—
	1	PU operation mode		PU operation mode fixed
	2	NET operation mode ①	External operation mode	Switching to PU operation mode is disabled.
	3, 4	External/PU combined operation mode		External/PU combined operation mode fixed
	6	NET operation mode ①	External operation mode mode ②	Switching between operation modes is enabled while running.
	7	X12 (MRS) ON	NET operation mode ①	External operation mode mode ②
X12 (MRS) OFF		External operation mode		The operation mode is forcibly switched to the External operation mode.

Tab. 5-56: Operation mode switching by signal X66

- ① When Pr. 550 "NET mode operation command source selection" = "0" (communication option control source)" and no communication option is connected, the External operation mode is selected.
- ② When the X16 signal is OFF, the PU operation mode is selected. Also, when the X65 signal is assigned, the operation mode follows the ON/OFF state of the X65 signal.

NOTES

The priority of Pr. 79 and Pr. 340 and signals is Pr. 79 > X12 > X66 > X65 > X16 > Pr. 340.

Changing the terminal assignment using Pr. 178 to Pr. 189 (input terminal function selection) may affect the other functions. Set parameters after confirming the function of each terminal.

Parameters referred to			
Pr. 15	Jog frequency	=>	page 5-144
Pr. 4 to Pr. 6, Pr. 24 to 27, Pr. 232 to Pr. 239	(multi-speed operation)	=>	page 5-60
Pr. 75	Reset selection/disconnected PU detection/PU stop selection	=>	page 5-63
Pr. 161	Frequency setting/key lock operation selection	=>	page 5-69
Pr. 178 to Pr. 182	(input terminal function selection)	=>	page 5-285
Pr. 190 to Pr. 196	(output terminal function selection)	=>	page 5-231
Pr. 340	Communication startup mode selection	=>	page 5-128
Pr. 550	NET mode operation command source selection	=>	page 5-130

5.6.2 Startup in Network operation mode at power-ON

When power is switched ON or when power comes back ON after an instantaneous power failure, the inverter can be started up in the Network operation mode. After the inverter starts up in the Network operation mode, parameter writing and operation can be commanded from programs.

Set this mode when performing communication operation using the RS-485 terminals or a communication option.

Pr.	Name	Initial value	Setting range	Description
79 D000	Operation mode selection	0	0 to 4, 6, 7	Selects the operation mode. (Refer to page 5-119.)
340 D001	Communication startup mode selection	0	0	Follows the Pr. 79 setting.
			1,2	The inverter starts up in the Network operation mode. If an instantaneous power failure occurs when "2" is set, the operating status before the instantaneous power failure is maintained.
			10,12	The inverter starts up in the Network operation mode. The operation mode can be changed between the PU operation mode and Network operation mode from the operation panel. If an instantaneous power failure occurs when "12" is set, running is continued at the condition before the instantaneous power failure.

Selecting the operation mode for power-ON (Pr. 340)

Depending on the Pr. 79 and Pr. 340 settings, the operation mode at power-ON (reset) changes as described below.

Pr. 340 setting	Pr. 79 setting	Operation mode at power-ON, at power restoration, or after a reset	Operation mode switching	
0 (initial value)	0 (initial value)	External operation mode	Switching among the External, PU, and NET operation modes is enabled. ②	
	1	PU operation mode	PU operation mode fixed	
	2	External operation mode	Switching between the External and NET operation modes is enabled. Switching to PU operation mode is disabled	
	3, 4	External/PU combined operation mode	Operation mode switching is disabled	
	6	External operation mode	Switching among the External, PU, and NET operation mode is enabled while running.	
	7	X12 (MRS) signal ON	External operation mode	Switching among the External, PU, and NET operation modes is enabled. ②
		X12 (MRS) signal OFF	External operation mode	External operation mode fixed. (Forcibly switched to External operation mode.)
1, 2 ①	0	NET operation mode	Same as Pr. 340 = "0" setting	
	1	PU operation mode		
	2	NET operation mode		
	3, 4	External/PU combined operation mode		
	6	NET operation mode		
	7	X12(MRS) signal ON		NET operation mode
		X12 (MRS) signal OFF		External operation mode
10, 12 ①	0	NET operation mode	Switching between the PU and NET operation mode is enabled ③	
	1	PU operation mode	Same as Pr. 340 = "0" setting	
	2	NET operation mode	NET operation mode fixed	
	3, 4	External/PU combined operation mode	Same as Pr. 340 = "0" setting	
	6	NET operation mode	Switching between the PU and NET operation mode is enabled while running. ③	
	7	External operation mode	External operation mode	Same as Pr. 340 = "0" setting

Tab. 5-57: Operation mode of the inverter at power on

- ① Use Pr. 340 = "2 or 12" setting to perform communication with the RS-485 terminals. Even if an instantaneous power failure occurs while Pr. 57 "Restart coasting time" ≠ "9999" (with automatic restart after instantaneous power failure), inverter continues operation at the condition before the instantaneous failure.
- ② The operation mode cannot be directly changed between the PU operation mode and Network operation mode.
- ③ Switching between the PU and NET operation modes is available with the PU/EXT key on the operation panel (FR-DU08) and the X65 signal.

Parameters referred to			
Pr. 57	Restart coasting time	=>	page 5-415, page 5-423
Pr. 79	Operation mode selection	=>	page 5-119

5.6.3 Start command source and frequency command source during communication operation

The start and frequency commands from an external device can be made valid when using the RS-485 terminals or the communication option. The command source in the PU operation mode can also be selected.

For FR-F800-E: When the Ethernet connector or a communication option is used, the command source in the network (NET) / PU operation mode can be selected.

Pr.	Name	Initial value	Setting range	Description
338 D010	Communication operation command source	0	0	Start command source is communication.
			1	Start command source is external.
339 D011	Communication speed command source	0	0	Frequency command source is communication.
			1	Frequency command source is external.
			2	Frequency command source is external. (When there is no external input, the frequency command via communication is valid, and the frequency command from terminal 2 is invalid.)
550 D012	NET mode operation command source selection	9999	0	The communication option is the command source when in the NET operation mode.
			1	The RS-485 terminals are the command source when in the NET operation mode. FR-F800-E: For manufacturer setting. Do not set.
			5	FR-F800-E: The Ethernet connector is the command source when in the NET operation mode.
			9999	Communication option is recognized automatically. Normally, the RS-485 terminals are the command source. FR-F800-E: The Ethernet connector is the command source. When the communication option is mounted, the communication option is the command source.
551 D013	PU mode operation command source selection	9999	1	The RS-485 terminals are the command source when in the PU operation mode. FR-F800-E: For manufacturer setting. Do not set.
			2	The PU connector is the command source when in the PU operation mode.
			3	The USB connector is the command source when in the PU operation mode.
			5	FR-F800-E: The Ethernet connector is the command source when in the NET operation mode.
			9999	USB automatic recognition Normally, the PU connector is the command source. When the USB is connected, the USB connector is the command source.

Selection of command source in Network (NET) operation mode (Pr. 550)

- Either of the RS-485 terminals or the communication option can be specified for the command source in the Network operation mode.
For FR-F800-E: Either of the Ethernet connector or the communication option can be specified for the command source in the Network operation mode.
- For example, whether or not the communication option is mounted, set Pr. 550 = "1" to write parameters from or input the start and frequency commands via RS-485 terminals in the Network operation mode.
For FR-F800-E: Whether or not the communication option is mounted, set Pr. 550 = "5" to write parameters or input the start and frequency commands via the Ethernet connector in the Network operation mode.

NOTE

In the initial setting, "9999" (communication option automatic recognition) is set for Pr. 550. Thus, if the communication option is mounted, parameters cannot be written or the start and frequency commands cannot be sent by communications that use the RS-485 terminals (or the Ethernet connector for FR-F800-E). (Monitoring or parameter reading can be performed.)

Selection of the command source of the PU operation mode (Pr. 551)

- Any of the PU connector, the RS-485 terminals, the Ethernet connector (for FR-F800-E), or USB connector can be specified as the command source in the PU operation mode.
- Set Pr. 551="1" to use communication connected to the RS-485 terminals to write parameters or execute start and frequency commands in the PU operation mode. Set Pr. 551 = "3" or "9999" to use the USB connector.
For FR-F800-E: In the PU operation mode, set Pr. 551 = "5" to write parameters or input the start and frequency commands via the Ethernet connector.

NOTES

When Pr. 550 = "1" (NET mode RS-485 terminals) and Pr. 551 = "1" (PU mode RS-485 terminals), the PU operation mode has a precedence.
For FR-F800-E: When Pr. 550 = "5" (NET operation mode, Ethernet connector) and Pr. 551 = "5" (PU operation mode, Ethernet connector), the PU operation mode has precedence.
For this reason, if the communication option is not mounted, switching to the Network operation mode is not longer possible.

Changed setting values are enabled at power-ON or inverter reset.

Pr. 550 setting	Pr. 551 setting	Command source					Remarks
		PU connector	USB connector	RS-485 terminals	Ethernet connector ^⑤	Communication option	
0	1 ^④	×	×	PU operation mode ^①	—	NET operation mode ^②	
	2	PU operation mode	×	×	×	NET operation mode ^②	
	3	×	PU operation mode	×	×	NET operation mode ^②	
	5 ^⑤	×	×	—	PU operation mode	NET operation mode ^②	
	9999 (initial value)	PU operation mode ^③	PU operation mode ^③	×	×	NET operation mode ^②	
1 ^④	1	×	×	PU operation mode ^①	—	×	Switching to NET operation mode disabled
	2	PU operation mode	×	NET operation mode	—	×	
	3	×	PU operation mode	NET operation mode	—	×	
	9999 (initial value)	PU operation mode ^③	PU operation mode ^③	NET operation mode	—	×	
5 ^⑤	2	PU operation mode	×	—	NET operation mode	×	
	3	×	PU operation mode	—	NET operation mode	×	
	5	×	×	—	PU operation mode ^⑤	×	Switching to NET operation mode disabled
	9999 (initial value)	PU operation mode ^③	PU operation mode ^③	—	NET operation mode	×	
9999 (initial value)	1 ^④	×	×	PU operation mode ^①	—	NET operation mode ^②	
	2	PU operation mode	×	×	×	NET operation mode ^②	With communication option
				NET operation mode	NET operation mode	×	Without communication option
	3	×	PU operation mode	×	×	NET operation mode ^②	With communication option
				NET operation mode	NET operation mode	×	Without communication option
	5 ^⑤	×	×	—	PU operation mode ^⑤	NET operation mode ^②	With communication option
						×	Without communication option
	9999 (initial value)	PU operation mode ^③	PU operation mode ^③	×	×	NET operation mode ^②	With communication option
NET operation mode				NET operation mode	×	Without communication option	

x: Invalid, —: Not available

Tab. 5-58: Parameter 550 and 551 settings

- ① The MODBUS® RTU protocol cannot be used in the PU operation mode. To use the MODBUS® RTU protocol, set Pr. 551 = "2".
- ② If the communication option is not mounted, switching to the Network operation mode is not longer possible.
- ③ When Pr. 551 = "9999", the priority of the PU command source is USB connector > PU connector.
- ④ FR-F800-E: For manufacturer setting. Do not set.
- ⑤ FR-F800-E only

- ④ When the CC-Link IE Field Network Basic is used, the NET operation mode has precedence. However, the Ethernet connector is not used as the command source if a communication option is installed while Pr. 550 = "9999".

Controllability through communication

Command source	Condition (Pr. 551 setting)	Item	Controllability in each operation mode						
			PU operation	External operation	External/PU combined operation mode 1 (Pr. 79 =3)	External/PU combined operation mode 2 (Pr. 79 =4)	NET operation (when RS-485 terminals are used) ⑥ ⑧	NET operation (when the Ethernet connector is used) ⑦ ⑨	NET operation (when communication option is used) ⑩
Control by RS-485 communication via PU connector	2 (PU connector) 9999 (automatic recognition, without USB connection)	Operation (start) command	○	×	×	○		×	
		Operation (stop) command	○	Δ ^③	Δ ^③	○		Δ ^③	
		Running frequency	○	×	○	×		×	
		Monitor	○	○	○	○		○	
		Parameter writing	○ ^④	×	○ ^④	○ ^④		×	
		Parameter read	○	○	○	○		○	
		Inverter reset	○	○	○	○		○	
	Other than the above	Operation (start) command	×	×	×	×		×	
		Operation (stop) command	Δ ^③	Δ ^③	Δ ^③	Δ ^③		Δ ^③	
		Running frequency	×	×	×	×		×	
		Monitor	○	○	○	○		○	
		Parameter writing	×	×	×	×		×	
		Parameter read	○	○	○	○		○	
		Inverter reset	○	○	○	○		○	
Control by communication via RS-485 terminals [®]	1 (RS-485 terminals)	Operation command (start, stop)	○	×	×	○	×	—	×
		Running frequency	○	×	○	×	×	—	×
		Monitor	○	○	○	○	○	—	○
		Parameter writing	○ ^④	×	○ ^④	○ ^④	×	—	×
		Parameter read	○	○	○	○	○	—	○
		Inverter reset	○	○	○	○	○	—	○
	Other than the above	Operation command (start, stop)	×	×	×	×	○ ^①	—	×
		Running frequency	×	×	×	×	○ ^①	—	×
		Monitor	○	○	○	○	○	—	○
		Parameter writing	×	×	×	×	○ ^④	—	×
		Parameter read	○	○	○	○	○	—	○
		Inverter reset	×	×	×	×	○ ^②	—	×

○: Valid, ×: Invalid, Δ: Partially valid, —: Not available

Tab. 5-59: Functions in the single operation modes (1)

Command source	Condition (Pr. 551 setting)	Item	Controllability in each operation mode						
			PU operation	External operation	External/PU combined operation mode 1 (Pr. 79 =3)	External/PU combined operation mode 2 (Pr. 79 =4)	NET operation (when RS-485 terminals are used) ⑥ ⑩	NET operation (when the Ethernet connector is used) ⑦ ⑨	NET operation (when communication option is used) ⑧
Control via USB connector	3 (USB connector) 9999 (automatic recognition, with USB connection)	Operation command (start, stop)	○	×	×	○		×	
		Running frequency	○	×	○	×		×	
		Monitor	○	○	○	○		○	
		Parameter writing	○ ^④	×	○ ^④	○ ^④		×	
		Parameter read	○	○	○	○		○	
		Inverter reset	○	○	○	○		○	
	Other than the above	Operation command (start, stop)	×	×	×	×		×	
		Running frequency	×	×	×	×		×	
		Monitor	○	○	○	○		○	
		Parameter writing	×	×	×	×		×	
		Parameter read	○	○	○	○		○	
		Inverter reset	○	○	○	○		○	
Control by communication via Ethernet board ②	5 (Ethernet board)	Operation command (start, stop)	○	×	×	○	—	×	×
		Running frequency	○	×	○	×	—	×	×
		Monitor	○	○	○	○	—	○	○
		Parameter writing	○ ^④	×	○ ^④	○ ^④	—	×	×
		Parameter read	○	○	○	○	—	○	○
		Inverter reset	○	○	○	○	—	○	○
	Other than 5 or when the CC-Link IE Field Network Basic is selected	Operation command (start, stop)	×	×	×	×	—	○ ^①	×
		Running frequency	×	×	×	×	—	○ ^①	×
		Monitor	○	○	○	○	—	○	○
		Parameter writing	×	×	×	×	—	○ ^④	×
		Parameter read	○	○	○	○	—	○	○
		Inverter reset	×	×	×	×	—	○ ^②	×
Communication option (via communication)	—	Operation command (start, stop)	×	×	×	×		×	○ ^①
		Running frequency	×	×	×	×		×	○ ^①
		Monitor	○	○	○	○		○	○
		Parameter writing	×	×	×	×		×	○ ^④
		Parameter read	○	○	○	○		○	○
		Inverter reset	×	×	×	×		×	○ ^②
External terminal at the control circuit	—	Inverter reset	○	○	○	○		○	
		Operation command (start, stop)	×	○	○	×		×	○ ^①
		Frequency setting	×	○	×	○ ^⑩		×	○ ^①

○: Valid, ×: Invalid, △: Partially valid, —: Not available

Tab. 5-59: Functions in the single operation modes (2)

- ① Follows the Pr. 338 "Communication operation command source" and Pr. 339 "Communication speed command source" settings. (Refer to page 5-130.)
- ② At occurrence of a communication error, the inverter cannot be reset from the computer.
- ③ Enabled only when stopped by the PU. PS is displayed on the operation panel during PU stop. Follows the Pr. 75 "Reset selection/disconnected PU detection/PU stop selection" setting. (Refer to page 5-63.)
- ④ Writing of some parameters may be disabled by the Pr. 77 "Parameter write selection" setting and the operating condition. (Refer to page 5-72.)
- ⑤ Some parameters are write-enabled independently of the operation mode and command source presence/absence. Writing is also enabled when Pr. 77 = "2". (Refer to page 5-72.) Parameter clear is disabled.
- ⑥ When Pr. 550 "NET mode operation command source selection" = "1" (RS-485 terminals enabled), or Pr. 550 = "9999" with no communication option connected.
- ⑦ FR-F800-E: When Pr. 550 "NET mode operation command source selection" = "5" (Ethernet connector enabled), or Pr. 550 = "9999" with no communication option connected.
- ⑧ When Pr. 550 "NET mode operation command source selection" = "0" (communication option enabled), or Pr. 550 = "9999" with communication option connected.
- ⑨ FR-F800-E only
- ⑩ FR-F800-E: Not available.
- ⑪ The frequency can be set by multi-speed setting or input through terminal 4.

Operation at fault

Fault record	Conditions (Pr. 551 setting)	Operation in each operation mode at error occurrences						
		PU operation	External operation	External/PU combined operation mode 1 (Pr. 79 =3)	External/PU combined operation mode 2 (Pr. 79 =4)	NET operation (when RS-485 terminals are used) ⑤ ⑥	NET operation (when the Ethernet connector is used) ⑥ ⑧	NET operation (when commu- nication option is used) ⑦
Inverter fault	—	Stop						
PU connector disconnection	2 (PU connector) 9999 (automatic recognition)	Stop/continued ① ④						
	Other than 2	Stop/continued ①						
Communication error at PU connector	2 (PU connector)	Stop/ continued ②	Continued	Stop/ continued ②	Continued			
	Other than 2	Continued						
Communication error at RS-485 terminals ②	1 (RS-485 terminals)	Stop/ continued ②	Continued	Stop/ continued ②	Continued	—	Continued	
	Other than 1	Continued				Stop/ continued ②	—	Continued
Communication error at USB connector	3 (USB connector) 9999 (automatic recognition)	Stop/ continued ②	Continued					
	Other than 3	Continued						
Communication error at Ethernet board ⑧	5 (Ethernet board)	Stop/ continued ②	Continued	Stop/ continued ②	—	Continued		
	Other than 5 or when the CC-Link IE Field Network Basic is selected	Continued				—	Stop/ continued ②	Continued
Communication error at communication option	—	Continued						Stop/ continued ③

Tab. 5-60: Operation at fault

- ① Selectable with Pr. 75 "Reset selection/disconnected PU detection/PU stop selection"
- ② Selectable with Pr. 122 "PU communication check time interval", Pr. 336 "RS-485 communication check time interval" ②, Pr. 548 "USB communication check time interval", and Pr. 1432 "Ethernet communication check time interval".
- ③ Follows the communication option setting.
- ④ In the PU JOG operation mode, operation always stops when the PU is disconnected. The operation of PU disconnection (E.PUE) follows the Pr. 75 "Reset selection/disconnected PU detection/PU stop selection" setting.
- ⑤ When Pr. 550 "NET mode operation command source selection" = "1" (RS-485 terminals enabled), or Pr. 550 = "9999" with no communication option connected.
- ⑥ FR-F800-E: When Pr. 550 "NET mode operation command source selection" = "5" (Ethernet connector enabled), or Pr. 550 = "9999" with no communication option connected.
- ⑦ When Pr. 550 "NET mode operation command source selection" = "0" (communication option enabled), or Pr. 550 = "9999" with communication option connected.
- ⑧ FR-F800-E only
- ⑨ FR-F800-E: Not available.

Selection of control source in Network operation mode (Pr. 338, Pr. 339)

- There are two control sources: the start command source, which controls the signals related to the inverter stand command and function selection, and the speed command source, which controls signals related to frequency setting.
- The table below shows the commands from the external terminals and communication (RS-485 terminals or communication option) in the Network operation mode.

Operation location selection		Pr. 338 "Communication operation command source"		0: NET			1: EXT			Remarks	
		Pr. 339 "Communication speed command source"		0: NET	1: EXT	2: EXT	0: NET	1: EXT	2: EXT		
Fixed function (terminal-equivalent function)		Running frequency from communication		NET	—	NET	NET	—	NET		
		Terminal 2		—	External	—	—	—	—		
		Terminal 4		—	External		—	External			
		Terminal 1		Compensation							
Selectable function	Pr. 178 to Pr. 189 setting	0	RL	Low-speed operation command/remote setting Clear/Stop-on-contact selection 0	NET	External		NET	External		Pr. 59 = "0" (multi-speed) Pr. 59 ≠ "0" (remote) Pr. 270 = "1, 3, 11, or 13" (stop-on-contact)
		1	RM	Middle-speed operation command/remote setting deceleration	NET	External		NET	External		
		2	RH	High-speed operation command/remote setting acceleration	NET	External		NET	External		
		3	RT	Second function selection/stop-on-contact selection 1	NET			External			Pr. 270 = "1, 3, 11, or 13" (stop-on-contact)
		4	AU	Terminal 4 input selection	—	Combined		—	Combined		
		5	JOG	Jog operation selection	—			External			
		6	CS	No function	External						
		7	OH	External thermal relay input	External						
		8	REX	15-speed selection	NET	External		NET	External		Pr. 59 = "0" (multi-speed)
		10	X10	Inverter run enable signal	External						
		11	X11	FR-HC2/FR-CC2 connection, instantaneous power failure detection	External						
		12	X12	PU operation external interlock	External						
		13	X13	External DC injection brake operation start	NET			External			
		14	X14	PID control valid terminal	NET	External		NET	External		
		16	X16	PU/External operation switchover	External						
		18	X18	V/F switchover	NET			External			
		24	MRS	Output stop	Combined			External			Pr. 79 ≠ "7" Pr. 79 = "7" When X12 signal is not assigned.
PU operation interlock	External										
25	STP (STOP)	Start self-holding selection	—			External					
28	X28	Start-time tuning start external input	NET			External					
37	X37	Traverse function selection	NET			External					
38	PDI1	PID multistage set point setting 1	NET	External		NET	External				
39	PDI2	PID multistage set point setting 2	NET	External		NET	External				
40	PDI3	PID multistage set point setting 3	NET	External		NET	External				

Tab. 5-61: Writing operation and speed commands (1)

Operation location selection	Pr. 338 "Communication operation command source"		0: NET			1: EXT			Remarks	
	Pr. 339 "Communication speed command source"		0: NET	1: EXT	2: EXT	0: NET	1: EXT	2: EXT		
Selectable function Pr. 178 to Pr. 189 setting	46	TRG	Trace trigger input			NET			External	
	47	TRC	Trace sampling start/end			NET			External	
	48	X48	Power failure stop external			External				
	50	SQ	Sequence start			External, NET			External	Pr. 414 = "1": Valid when there is external or network input Pr. 414 = "2": External
	51	X51	Fault clear signal			Combined			External	
	60	STF	Forward rotation command			NET			External	
	61	STR	Reverse rotation command			NET			External	
	62	RES	Inverter reset			External				
	64	X64	During retry			NET	External	NET	External	
	65	X65	PU/NET operation switchover			External				
	66	X66	External/NET operation switchover			External				
	67	X67	Command source switchover			External				
	70	X70	DC feeding operation permission			NET			External	
	71	X71	DC feeding cancel			NET			External	
	72	X72	PID P control switchover			NET	External	NET	External	
	73	X73	Second PID P control switchover			NET	External	NET	External	
	77	X77	Pre-charge end command			NET	External	NET	External	
	78	X78	Second pre-charge end command			NET	External	NET	External	
	79	X79	Second PID forward/reverse action switchover			NET	External	NET	External	
	80	X80	Second PID control valid terminal			NET	External	NET	External	
81	PGT	PID gain tuning start/forced end			NET	External	NET	External		
84	X84	Emergency drive execution command			Combined					
94	X94	Control signal input for main circuit power supply MC			External					
95	X95	Converter unit fault input			External					
96	X96	Converter unit fault (E.OHT, E.CPU) input			External					
97	X97	Cleaning valid			NET			External		
98	X98	Cleaning trigger			NET			External		

Tab. 5-61: Writing operation and speed commands (2)

Explanation of terms in table

- External (EXT) : Commands from external terminal are only valid.
NET : Commands via communication are only valid.
Combined : Command from both external terminal and communication is valid.
— : Command from either of external terminal and communication is invalid.
Compensation : Commands are valid only from external terminal signals when Pr. 28 "Multi-speed input compensation selection" = "1".

NOTES

The command source of communication follows the Pr. 550 and Pr. 551 settings.

The Pr. 338 and Pr. 339 settings can be changed while the inverter is running when Pr. 77 = "2". Note that the setting change is applied after the inverter has stopped. Until the inverter has stopped, communication operation command source and communication speed command source before the setting change are valid.

Command source switchover via external terminals (X67)

- In the Network operation mode, the start command source and speed command source can be switched over by the command source switchover signal (X67). This can be used to control signal inputs from both the external terminals and via communication.
- For the X67 signal, set "67" to any of Pr. 178 to Pr. 189 (input terminal function selection) to assign the function to a control terminal.
- When the X67 signal is OFF, the start command source and speed command source are given via control terminals.

X67 signal state	Start command source	Speed command source
Signal not assigned	According to Pr. 338	According to Pr. 339
ON		
OFF	Commands from external terminals are only valid.	

Tab. 5-62: Switching of command source by the signal X67**NOTES**

The ON/OFF state of the X67 signal is applied only during a stop. When the terminals are switched during operation, the ON/OFF state is applied after a stop.

When the X67 is OFF, a reset via communication is disabled.

Changing the terminal assignment using Pr. 178 to Pr. 189 (input terminal function selection) may affect the other functions. Set parameters after confirming the function of each terminal.

Parameters referred to			
Pr. 28	Multi-speed input compensation selection	=>	page 5-60
Pr. 59	Remote function selection	=>	page 5-111
Pr. 79	Operation mode selection	=>	page 5-119

5.6.4 Reverse rotation prevention selection

This function can prevent reverse rotation fault resulting from the incorrect input of the start signal.

Pr.	Name	Initial value	Setting range	Description
78 D020	Reverse rotation prevention selection	0	0	Both forward and reverse rotations allowed
			1	Reverse rotation disabled
			2	Forward rotation disabled

- Set this parameter to limit the motor rotation to only one direction.
- This parameter is valid for all of the reverse rotation and forward rotation keys of the operation panel and of the parameter unit, the start signals (STF, STR signals) via external terminals, and the forward and reverse rotation commands through communication.

5.6.5 Frequency setting via pulse train input

A pulse train input to the terminal JOG can be used to set the inverter's speed command.

Moreover, speed synchronized operation of an inverter can be performed by using the pulse train output together with the terminal JOG.

Pr.	Name	Initial value		Setting range	Description	
		FM	CA		Pulse train input (terminal JOG)	Pulse train output ^① (terminal FM)
291 D100	Pulse train I/O selection	0		0	JOG signal ^①	FM output ^②
				1	Pulse train input	FM output ^②
				10 ^②	JOG signal ^①	High-speed pulse train output (50% duty)
				11 ^②	Pulse train input	High-speed pulse train output (50% duty)
				20 ^②	JOG signal ^①	High-speed pulse train output (ON width fixed)
				21 ^②	Pulse train input	High-speed pulse train output (ON width fixed)
				100 ^②	Pulse train input	High-speed pulse train output (ON width fixed) Output of pulse train input as is
384 D101	Input pulse division scaling factor	0		0	Pulse train input disabled	
				1 to 250	Division ratio on the input pulse. The frequency resolution on the input pulse changes according to this setting.	
385 D110	Frequency for zero input pulse	0 Hz		0 to 590 Hz	Sets the frequency when the input pulse is zero (bias).	
386 D101	Frequency for maximum input pulse	60 Hz	50 Hz	0 to 590 Hz	Sets the frequency when the input pulse is maximum (gain).	

^① Function assigned to Pr. 185 "JOG terminal function selection".

^② Valid only for the FM type inverters.

Selection of pulse train input (Pr. 291)

- Setting Pr. 291 "Pulse train I/O selection" = "1, 11, 21, 100" and Pr. 384 "Input pulse division scaling factor" ≠ "0" changes the function of terminal JOG to a pulse train input so that the frequency can be set to the inverter. In the initial setting, the JOG signal is assigned to terminal JOG. A maximum pulse train of 100k pulses/s can be input.
- Connection with an open collector output system pulse generator

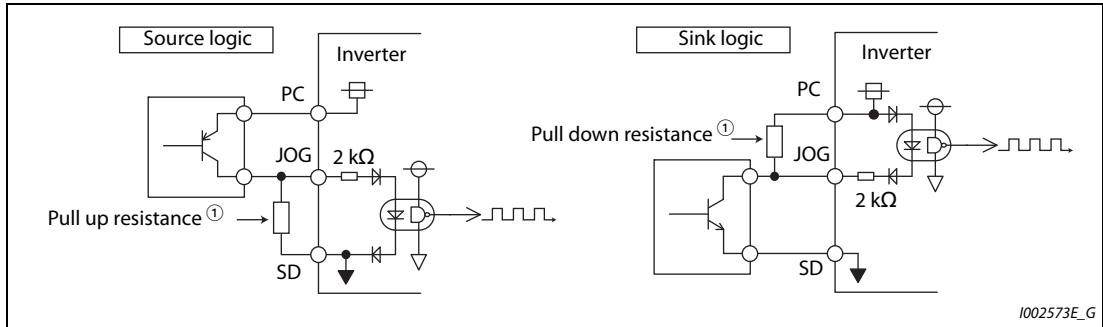


Fig. 5-37: Pulse train input

① When the wiring length is long with open collector outputs, the influence of stray capacitance causes the pulse to flatten out and prevents the input pulse from being recognized. When the wiring length is long (10 m or longer of shielded twisted pair cable with a recommended cable gauge of 0.75 mm²), connect the open collector output signal to the power supply by an external pull-up resistance. The table below shows the reference resistance values for wiring length. The stray capacitance of the wiring changes considerably according to how the cable is laid, thus the above wiring lengths are not guaranteed values. When using a pull-up/down resistance, check the permissible load of the resistor and the permissible load current of the output transistor, and use within the permissible range.

Wiring length	Less than 10 m	10 to 50 m	50 to 100 m
Pull-up/down resistance	Not required	1 kΩ	470 Ω
Load current (reference)	10 mA	35 mA	65 mA

Tab. 5-63: Resistance values for pull up and pull down resistances

- Connection with a complementary output system pulse generator

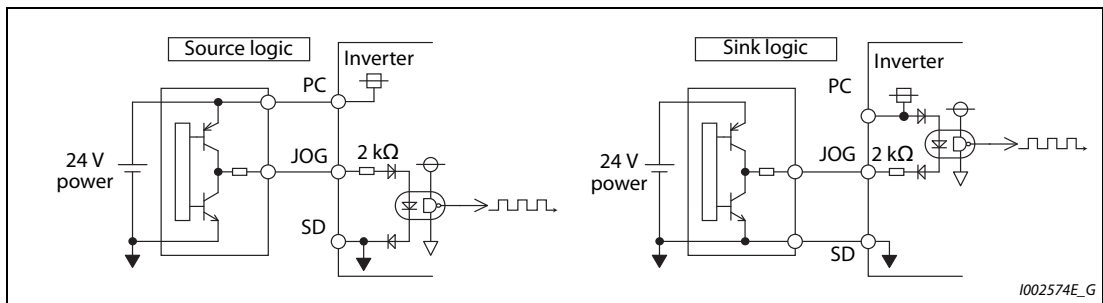


Fig. 5-38: Pulse generator output

NOTES

When pulse train input is selected, the function assigned to terminal JOG by Pr. 185 "JOG terminal function selection" is invalid.

Pr. 291 is the selection parameter for pulse train output/FM output. Thus, before changing the setting, check the specifications of the device connected to the terminal FM. (For the pulse train output, refer to page 5-216.)

Pulse train input specification

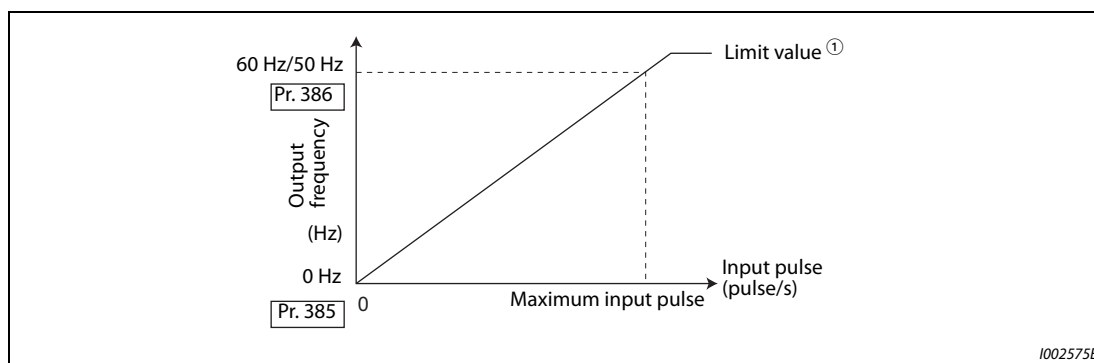
Item	Specification	
Supported pulse method	Open collector output. Complementary output. (24 V power supply voltage)	
HIGH input level	20 V or more (voltage between JOG and SD)	
LOW input level	5 V or less (voltage between JOG and SD)	
Maximum input pulse rate	100 kpps	
Minimum input pulse width	2.5 μs	
Input resistance/load current	2 kΩ (typ)/10 mA (typ)	
Maximum wiring length (reference value)	Open collector output method	10 m (0.75 mm ² /twisted pair)
	Complementary output method	100 m (output resistance 50 Ω) ①
Detection resolution	1/3750	

Tab. 5-64: Pulse train input specification

- ① The wiring length of complementary output is dependent on the output wiring specification of the complementary output unit. The stray capacitance of the wiring changes considerably according to how the cable is laid, thus the maximum wiring length is not a guaranteed value.

Adjustment of pulse train and frequency (Pr. 385, Pr. 386)

The frequency during zero input pulse and maximum input pulse can be set with Pr. 385 "Frequency for zero input pulse" and Pr. 386 "Frequency for maximum input pulse", respectively.

**Fig. 5-39:** Adjustment of pulse train input

- ① Limit value = (Pr. 386 - Pr. 385) × 1.1 + Pr. 385

How to calculate the input pulse division scaling factor (Pr. 384)

- The maximum number of pulses can be calculated by the following formula with Pr. 384 "Input pulse division scaling factor":
Maximum number of pulses (pulse/s) = Pr. 384 × 400 (maximum 100k pulses/s)
(number of detectable pulses = 11.45 pulses/s)
- For example, to run the invert at 0 Hz when pulse train input is zero and at 30 Hz when pulse train is 4000 pulses/sec, set the inverter as follows:
Pr. 384 = 10 (maximum number of input pulses 4000 pulses/s)
Pr. 385 = 0 Hz, Pr. 386 = 30 Hz (pulse train limit value 33 Hz)

NOTE

The priority of the frequency command by the external signals is "Jog operation > multi-speed operation > terminal 4 analog input". When pulse train input is enabled (Pr. 291 = "1, 11, 21, 100" and Pr. 384 ≠ "0"), terminal 2 analog input becomes invalid.

Speed synchronized operation by pulse input/output

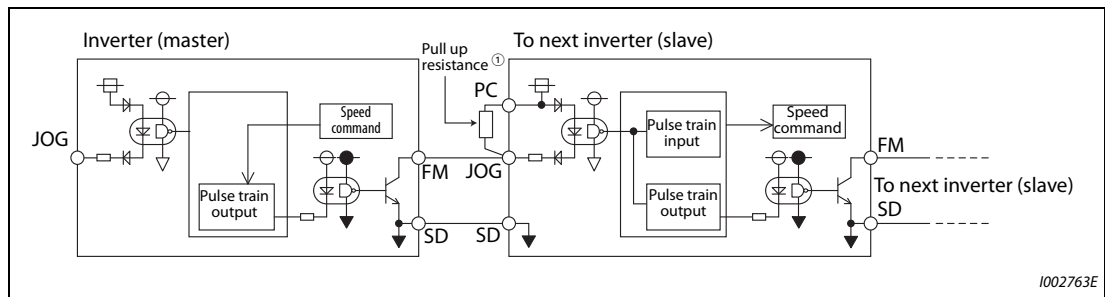


Fig. 5-40: Speed synchronization (sink logic)

- ① When the wiring length between FM and JOG is long, the influence of stray capacitance causes the pulse to flatten out and prevents the input pulse from being recognized. When the wiring length is long (10 m or longer of shielded twisted pair cable with a recommended cable size of 0.75 mm²), connect the terminal JOG to the terminal PC by an external pull-up resistance. The table below shows the reference resistance values for wiring length.

Wiring length	Less than 10 m	10 to 50 m	50 to 100 m
Pull-up resistance	Not required	1 k Ω	470 Ω
Load current (reference)	10 mA	35 mA	65 mA

Tab. 5-65: Resistance values for pull up and pull down resistances

The stray capacitance of the wiring changes considerably according to how the cable is laid, thus the above wiring lengths are not guaranteed values.

When using a pull-up/down resistance, check the permissible load of the resistor and the permissible load current (terminal PC: 100 mA, high-speed pulse train output: 85 mA), and use within the permissible range.

- Setting "100" to Pr. 291 enables out of the pulse train input as it is to the pulse train output (terminal FM). Connecting in a daisy chain enables speed synchronized operation of multiple inverters.
- Set Pr. 384 to "125" for inverters that receive pulse train since the maximum pulse train output is 50k pulses/s.
- The maximum number of input pulses should be 50k pulses/s.
- When performing synchronized operation, wire according to the following procedure. (This is to prevent contact input of 24 V from being applied to the terminal FM.)
 - ① Set pulse train output (setting other than "0, 1") to Pr. 291 on the master side inverter.
 - ② Turn the inverter power supply OFF.
 - ③ Wire the slave side terminal JOG-SD to the master side terminal FM-SD.
 - ④ Turn the inverter power supply ON.

NOTES

After changing the Pr. 291 setting, connect the JOG terminal to the terminal FM-SD. When FM output (voltage output) is taken as the pulse train, take caution to prevent voltage from being applied to the terminal FM.

Use the sink logic (factory setting) for the slave side inverter. The inverter does not operate properly with source logic.

Speed synchronized operation specification

Item	Specification
Output pulse format	Pulse width fixed (10 μ s)
Pulse rate	0 to 50 kpps
Pulse propagation delay	1 to 2 μ s/1 unit ^①

Tab. 5-66: Speed synchronized operation specification

^① A pulse transmission delay of about 1 to 2 μ s in the slave occurs and further increases when the wiring length is long.

Parameters referred to	
Pr. 291 (Pulse train output)	=> page 5-211

5.6.6 JOG operation

The frequency and acceleration/deceleration time for JOG operation can be set. JOG operation is possible in both External operation and PU.

JOG operation can be used for conveyor positioning, test run, etc.

Pr.	Name	Initial value	Setting range	Description
15 D200	Jog frequency	5 Hz	0 to 590 Hz	Sets the frequency during JOG operation.
16 F002	Jog acceleration/ deceleration time	0.5 s	0 to 3600 s	Sets motor acceleration/deceleration time during JOG operation. For the acceleration/deceleration time, set the time until the frequency ^① set to Pr. 20 "Acceleration/deceleration reference frequency" is reached. The acceleration/deceleration times cannot be set separately.

The above parameter is displayed as a simple mode parameter when the LCD operation panel (FR-LU08) or the parameter unit (FR-PU07) is mounted. Setting of this parameter is enabled when the operation panel (FR-DU08) is connected and "0" is set to Pr. 160 "User group read selection". (Refer to page 5-85.)

^① The Pr. 20 initial value is set to 60 Hz for the FM type and to 50 Hz for the CA type.

JOG operation in the External operation

- Operation can be started and stopped by the start signals (STF and STR signals) when the Jog operation selection (JOG) signal is ON. (For the operation method, refer to page 4-30.)
- In the initial setting, the JOG signal is assigned to the terminal JOG.

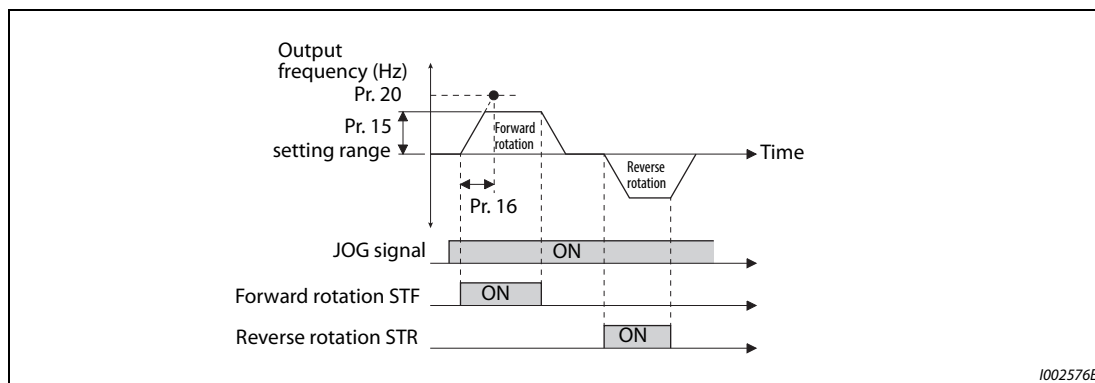


Fig. 5-41: Jog operation signal timing chart

JOG operation in PU

When the operation panel or the parameter unit is in the JOG operation mode, the motor jogs only while the start button is pressed.

(For the operation method, refer to page 4-31.)

NOTES

The reference frequency of the acceleration/deceleration time differs according to the Pr. 29 "Acceleration/deceleration pattern selection" setting. (Refer to page 5-107.)

The Pr. 15 setting should be equal to or higher than the Pr. 13 "Starting frequency" setting.

The JOG signal can be assigned to an input terminal by setting Pr. 178 to Pr. 189 (input terminal function selection). Changing the terminal assignment may affect other functions. Set parameters after confirming the function of each terminal.

During JOG operation, the second acceleration/deceleration cannot be selected with the RT signal. (Other second functions are enabled. (Refer to page 5-291.))

When Pr. 79 "Operation mode selection" = "4", JOG operation is started by one push of FWD/REV key on the operation panel (FR-DU08) and stopped by STOP/RESET key.

This function is invalid when Pr. 79 = "3".

Parameters referred to			
Pr. 13	Starting frequency	=>	page 5-115
Pr. 20	Acceleration/deceleration reference frequency	=>	page 5-102
Pr. 21	Acceleration/deceleration time increments	=>	page 5-102
Pr. 29	Acceleration/deceleration pattern selection	=>	page 5-107
Pr. 79	Operation mode selection	=>	page 5-119
Pr. 178 to Pr. 182	(input terminal function selection)	=>	page 5-285

5.6.7 Operation by multi-speed setting

Use these parameters to change among pre-set operation speeds with the terminals. The speeds are pre-set with parameters.

Any speed can be selected by simply turning ON/OFF the contact signals (RH, RM, RL, and REX signals).

Pr.	Name	Initial value		Setting range	Description
		FM	CA		
28 D300	Multi-speed input compensation selection	0		0 1	Without compensation With compensation
4 D301	Multi-speed setting (high speed)	60 Hz	50 Hz	0 to 590 Hz	Sets the frequency when RH is ON.
5 D302	Multi-speed setting (middle speed)	30 Hz		0 to 590 Hz	Sets the frequency when RM is ON.
6 D303	Multi-speed setting (low speed)	10 Hz		0 to 590 Hz	Sets the frequency when RL is ON.
24 D304	Multi-speed setting (speed 4)	9999		0 to 590 Hz, 9999	Frequency from 4th speed to 15th speed can be set according to the combination of the RH, RM, RL and REX signals. 9999: Not selected
25 D305	Multi-speed setting (speed 5)				
26 D306	Multi-speed setting (speed 6)				
27 D307	Multi-speed setting (speed 7)				
232 D308	Multi-speed setting (speed 8)				
233 D309	Multi-speed setting (speed 9)				
234 D310	Multi-speed setting (speed 10)				
235 D311	Multi-speed setting (speed 11)				
236 D312	Multi-speed setting (speed 12)				
237 D313	Multi-speed setting (speed 13)				
238 D314	Multi-speed setting (speed 14)				
239 D315	Multi-speed setting (speed 15)				

Multi-speed setting (Pr. 4 to Pr. 6)

The inverter operates at frequencies set in Pr. 4 when RH signal is ON, Pr. 5 when RM signal is ON and Pr. 6 when RL signal is ON.

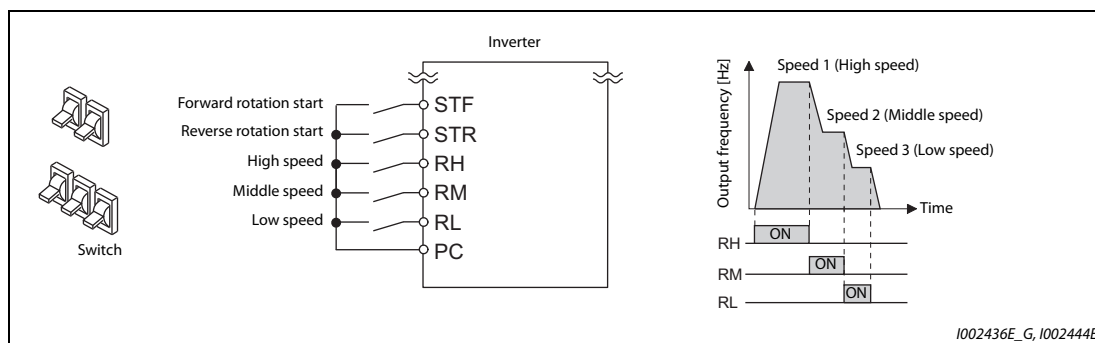


Fig. 5-42: Multi-speed selection by external terminals

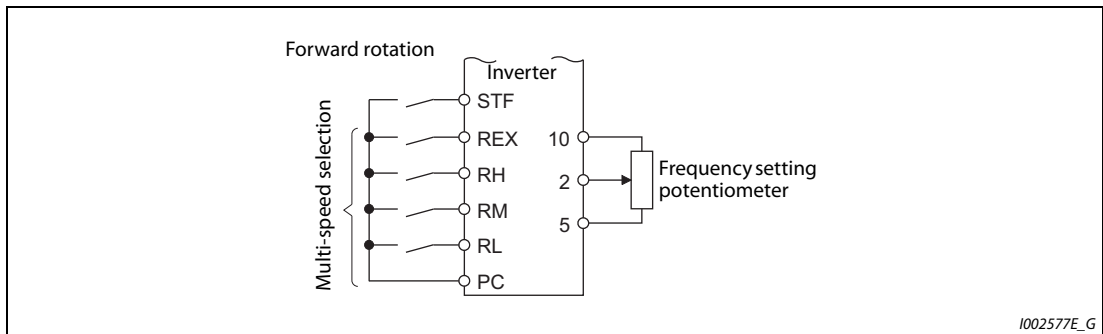
NOTES

In the initial setting, when two or more of multi-speed settings are simultaneously selected, priority is given to the set frequency of the lower signal.
 For example, when RH and RM signals turn ON, RM signal (Pr. 5) has a higher priority.

The RH, RM and RL signals are assigned to the terminals RH, RM and RL in the initial status.
 Set "0 (RL)", "1 (RM)", and "2 (RH)" in any of Pr. 178 to Pr. 189 (input terminal function selection) to assign the signals to other terminals.

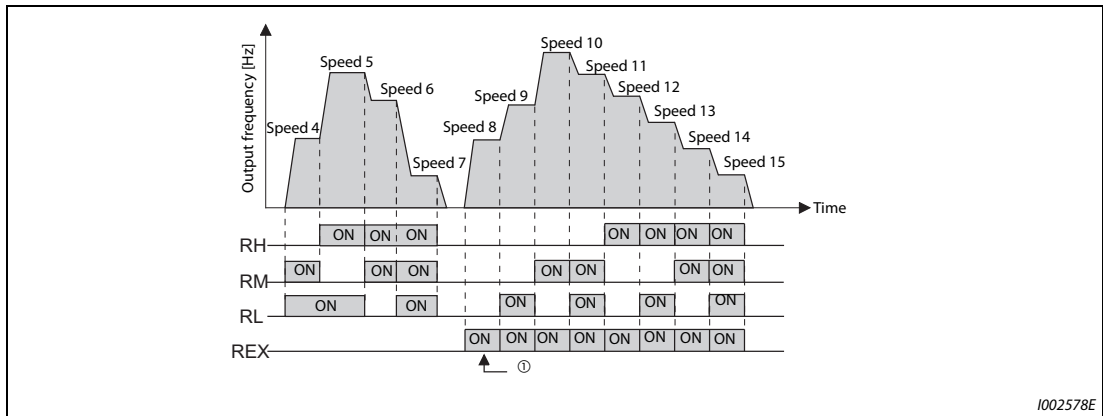
Multi-speed setting for 4th speed or more (Pr. 24 to Pr. 27, Pr. 232 to Pr. 239)

- The frequency from 4th speed to 15th speed can be set by the combination of the RH, RM, RL, and REX signals. Set the running frequencies in Pr. 24 to Pr. 27, Pr. 232 to Pr. 239. (In the initial status, 4th to 15th speeds are invalid.)
- For the terminal used for REX signal input, set "8" in any of Pr. 178 to Pr. 189 (input terminal function selection) to assign the function.



1002577E_G

Fig. 5-43: Connection example



1002578E

Fig. 5-44: Multi-speed selection by external terminals

① When RH, RM and RL is set to OFF and REX is set to ON when "9999" is set to Pr. 232 "Multi-speed setting (speed 8)", the inverter runs by the frequency set to Pr. 6.

Input compensation of multi-speed setting (Pr. 28)

Speed (frequency) compensation can be applied for the multi-speed setting and the remote setting by inputting the frequency setting compensation signal (terminals 1, 2).

NOTES

The priority of the frequency commands by the external signals are "Jog operation > multi-speed operation > terminal 4 analog input > pulse train input > terminal 2 analog input". (For details on frequency commands by analog input, refer to page 5-266.)

Valid in the External operation mode or PU/External combined operation mode (Pr. 79 = "3" or "4").

Multi-speed parameters can also be set during PU operation or External operation.

The Pr. 24 to Pr. 27 and Pr. 232 to Pr. 239 settings have no priority among them.

When Pr. 59 "Remote function selection" ≠ "0", the multi-speed setting is invalid since the RH, RM, and RL signals are for remote setting.

When performing analog input compensation, set Pr. 28 "Multi-speed input compensation selection" to "1".

Select the terminals (terminals 1, 2) to use for compensation input voltage (0 to ± 5 V, 0 to ± 10 V) at Pr. 73 "Analog input selection".

When using terminal 1 for compensation input, set Pr. 868 "Terminal 1 function assignment" to "0" (initial value).

Changing the terminal assignment using Pr. 178 to Pr. 189 (input terminal function selection) may affect the other functions. Set parameters after confirming the function of each terminal.

Parameters referred to			
Pr. 15	Jog frequency	=>	page 5-144
Pr. 59	Remote function selection	=>	page 5-111
Pr. 73	Analog input selection	=>	page 5-255
Pr. 79	Operation mode selection	=>	page 5-119
Pr. 178 to Pr. 189	(input terminal function selection)	=>	page 5-285
Pr. 868	Terminal 1 function assignment	=>	page 5-260

5.7 (H) Protective function parameter

Purpose	Parameter to set			Refer to page
To protect the motor from overheating	Electronic thermal O/L relay	P.H000, P.H006, P.H010, P.H016, P.H020, P.H021	Pr. 9, Pr. 51, Pr. 561, Pr. 607, Pr. 608, Pr.1016	5-150
To set the overheat protection characteristics for the motor	Free thermal O/L relay setting	P.H001 to P.H005, P.H011 to P.H015	Pr. 600 to Pr. 604, Pr. 692 to Pr. 696	5-159
To extend the life of the cooling fan	Cooling fan operation selection	P.H100	Pr. 244	5-160
To detect ground fault at start	Ground fault at start enable/disable	P.H101	Pr. 249	5-161
To vary the operating level of the undervoltage protective function	Undervoltage level	P.H102	Pr. 598	5-161
To initiate an inverter protective function	Fault initiation	P.H103	Pr. 997	5-162
To disable the I/O phase loss protective function	I/O phase loss protection selection	P.H200, P.H201	Pr. 251, Pr. 872	5-163
To restart using the retry function when the protective function is activated	Retry operation	P.H300 to P.H303	Pr. 65, Pr. 67 to Pr. 69	5-164
To operate without activating protective functions in case of emergency	Emergency drive	P.H320 to P.H324	Pr. 514, Pr. 515, Pr. 23, Pr. 524, Pr. 1013	5-167
To set the upper and lower limits of the output frequency	Maximum/minimum frequency	P.H400 to P.H402	Pr. 1, Pr. 2, Pr. 18	5-176
To operate by avoiding resonance points	Frequency jump	P.H420 to P.H425, P.H429	Pr. 31 to Pr. 36, Pr. 552	5-178
To limit the output current so that the inverter protective function does not activate	Stall prevention	P.H500, P.H501, P.H600, P.H601, P.H610, P.H611, P.H620, P.H621, P.H631, P.M430, P.T010, P.T040	Pr. 22, Pr. 23, Pr. 48, Pr. 49, Pr. 66, Pr. 148, Pr. 149, Pr. 154, Pr. 156, Pr. 157, Pr. 858, Pr. 868	5-180
To monitor for load faults	Load characteristics fault detection	P.H520 to P.H527, P.H531 to P.H535	Pr.1480 to Pr.1492	5-189
To shut off the output during acceleration	Overspeed detection level	P.H800	Pr. 374	5-194

5.7.1 Motor overheat protection (electronic thermal O/L relay)

Set the current of the electronic thermal O/L relay function to protect the motor from overheating. Such settings will provide the optimum protective characteristic considering the low cooling capability of the motor during low-speed operation.

Pr.	Name	Initial value	Setting range	Description
9 H000	Electronic thermal O/L relay	Inverter rated current	0 to 500 A ^① 0 to 3600 A ^②	Set the rated motor current.
600 H001	First free thermal reduction frequency 1	9999	0 to 590 Hz 9999	The electronic thermal O/L relay operation level can be changed to match the motor temperature characteristics with the combination of these three points (Pr. 600, Pr. 601), (Pr. 602, Pr. 603), (Pr. 604, Pr. 9). 9999: Free thermal O/L relay invalid
601 H002	First free thermal reduction ratio 1	100%	1 to 100% 9999	
602 H003	First free thermal reduction frequency 2	9999	0 to 590 Hz 9999	
603 H004	First free thermal reduction ratio 2	100%	1 to 100% 9999	
604 H005	First free thermal reduction frequency 3	9999	0 to 590 Hz 9999	
607 H006	Motor permissible load level	150%	110 to 150%	
51 H010	Second electronic thermal O/L relay	9999	0 to 500 A ^① 0 to 3600 A ^② 9999	Enabled when the RT signal is ON. Set the rated motor current. Second electronic thermal O/L relay invalid
692 H011	Second free thermal reduction frequency 1	9999	0 to 590 Hz 9999	The electronic thermal O/L relay operation level can be changed to match the second motor temperature characteristics with the combination of these three points (Pr. 692, Pr. 693), (Pr. 694, Pr. 695), (Pr. 696, Pr. 51). 9999: Second free thermal O/L relay invalid
693 H012	Second free thermal reduction ratio 1	100%	1 to 100% 9999	
694 H013	Second free thermal reduction frequency 2	9999	0 to 590 Hz 9999	
695 H014	Second free thermal reduction ratio 2	100%	1 to 100% 9999	
696 H015	Second free thermal reduction frequency 3	9999	0 to 590 Hz 9999	
608 H016	Second motor permissible load level	9999	110 to 150% 9999	Set the permissible load when the RT signal is ON. The Pr. 607 setting is applied even when the RT signal is ON.
561 H020	PTC thermistor protection level	9999	0.5 to 30 k Ω 9999	Set the PTC thermistor protection level (resistance). PTC thermistor protection disabled
1016 H021	PTC thermistor protection detection time	0 s	0 to 60 s	Set the time from when the resistance of the PTC thermistor reaches the protection level until the protective function is activated.

^① The setting range for FR-F820-02330(55K) or lower and FR-F840-01160(55K) or lower. The minimum setting increment is "0.01 A".

^② The setting range for FR-F820-03160(75K) or higher, and FR-F840-01800(75K) or higher. The minimum setting increment is "0.1 A".

Electronic thermal O/L relay operation characteristic for induction motor (Pr. 9)

- This function detects the overload (overheat) of the motor and trips the inverter by stopping the operation of the transistor at the inverter output side.
- Set the rated current (A) of the motor in Pr. 9. (If the motor has both 50 Hz and 60 Hz ratings and the Pr. 3 "Base frequency" is set to 60 Hz, set to 1.1 times the 60 Hz rated motor current.)
- Set "0" in Pr. 9 to avoid activating the electronic thermal O/L relay function; for example, when using an external thermal relay for the motor. (Note that the output transistor protection of the inverter is activated. (E.THT))
- When using the Mitsubishi constant-torque motor, set Pr. 71 "Applied motor" = "1, 13 to 16, 50, 53, 54". (This will set a 100% continuous torque characteristic in the low-speed range.)

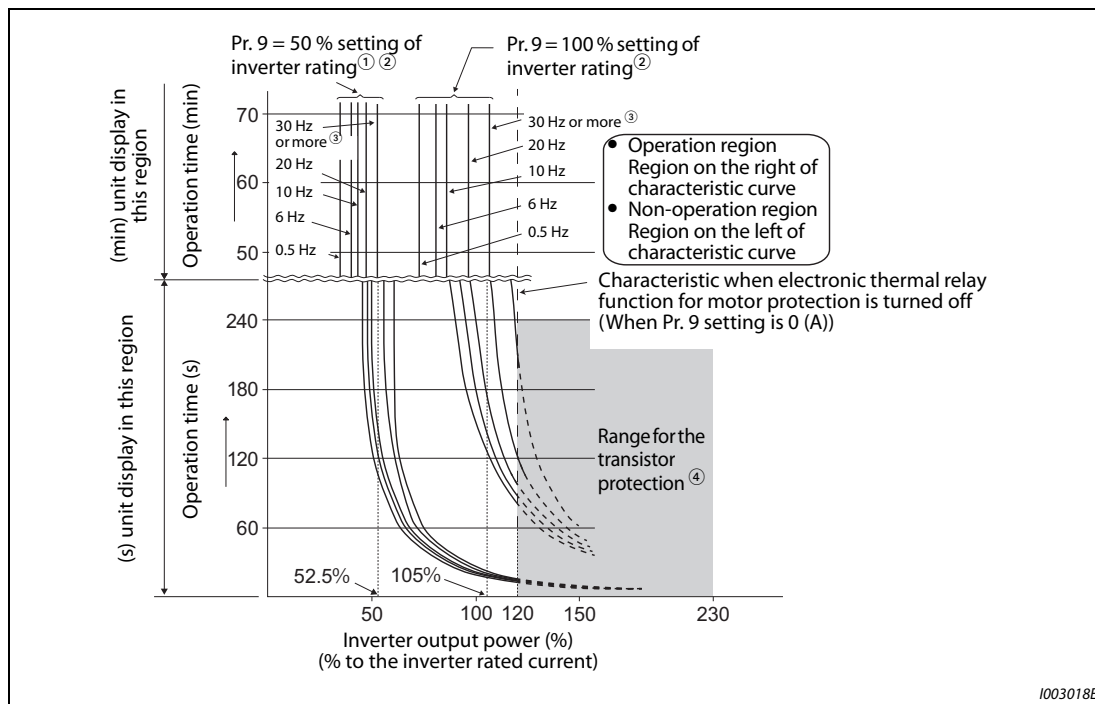


Fig. 5-45: Electronic thermal relay function operation characteristic

- ① When setting Pr. 9 to a value (current value) of 50% of the inverter rated current
- ② The % value denotes the percentage to the inverter rated current. It is not the percentage to the rated motor current.
- ③ When the electronic thermal O/L relay of the Mitsubishi constant-torque motor is set, the characteristic curve is as shown in this diagram at 6 Hz or higher. (For selection of the operation characteristic, refer to page 5-297.)
- ④ Transistor protection is activated depending on the temperature of the heatsink. The protection may be activated even with less than 120% depending on the operating conditions.

NOTES

The internal accumulated heat value of the electronic thermal relay function is reset to the initial value by the inverter's power reset and reset signal input. Avoid unnecessary reset and power-OFF.

Install an external thermal relay (OCR) between the inverter and motors to operate several motors, a multi-pole motor or a dedicated motor with one inverter. When setting an external thermal relay, note that the current indicated on the motor rating plate is affected by the line-to-line leakage current. (Refer to page 3-1.) The cooling effect of the motor drops during low-speed operation. Use a thermal protector or a motor with built-in thermistor.

The protective characteristic of the electronic thermal O/L relay is degraded when there is a large difference in capacity between the inverter and motor, and when the set value is small. In such case, use an external thermal relay.

A dedicated motor cannot be protected by an electronic thermal O/L relay. Use an external thermal relay.

The transistor protection thermal O/L relay is activated early when the Pr. 72 "PWM frequency selection" is increased.

Electronic thermal O/L relay when using IPM motor (Pr. 9)

- This function detects the overload (overheat) of the motor and trips the inverter by stopping the operation of the transistor at the inverter output side. (The operation characteristic is shown below.)
- Set the rated current (A) of the motor in Pr. 9. Performing IPM parameter initialization automatically sets the rated current of the IPM motor. (Refer to page 5-180.)
- Set "0" in Pr. 9 to avoid activating the electronic thermal O/L relay function; for example, when using an external thermal relay for the motor. (Note that the output transistor protection of the inverter is activated. (E.THT))

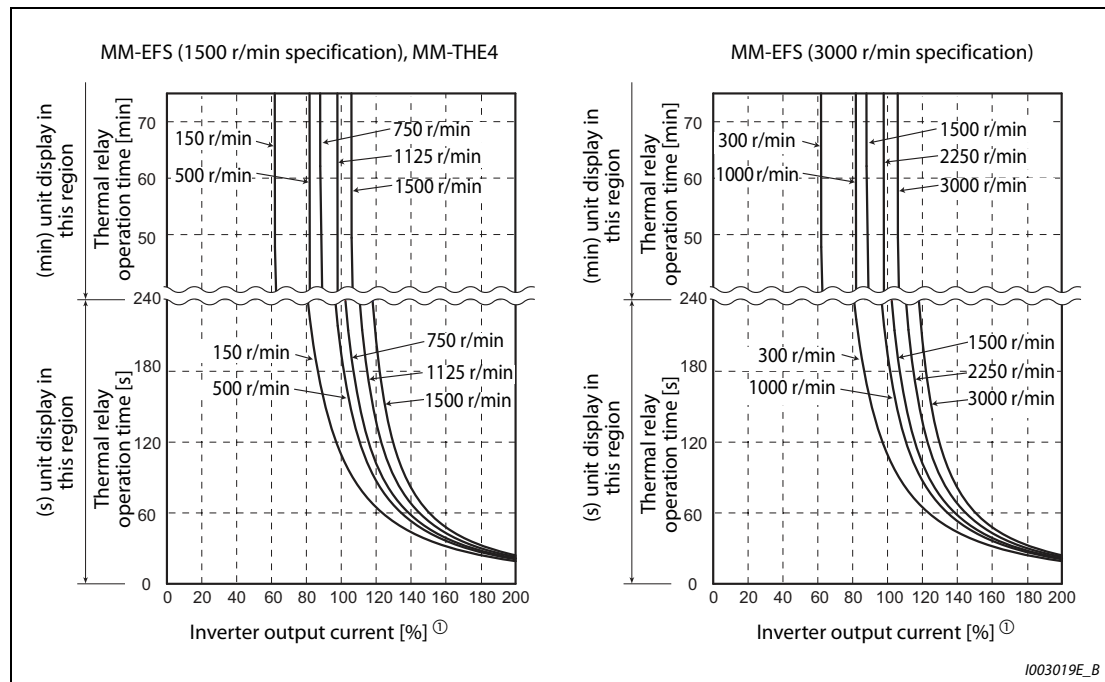


Fig. 5-46: Electronic thermal relay function operation characteristic (MM-EFS, MM-THE4)

- ① The % value denotes the percentage to the rated motor current.
- Protective function activated area: the area right of the characteristic curve
 - Normal operation area: the area left of the characteristic curve

NOTES

The internal accumulated heat value of the electronic thermal relay function is reset to the initial value by the inverter's power reset and reset signal input. Avoid unnecessary reset and power-OFF.

When using a PM motor other than MM-EFS/MM-THE4, set the free thermal parameters (Pr. 600 to Pr. 604) in accordance with the motor characteristic.

The transistor protection thermal O/L relay is activated early when the Pr. 72 "PWM frequency selection" is increased.

Set two types of electronic thermal O/L relays (Pr. 51)

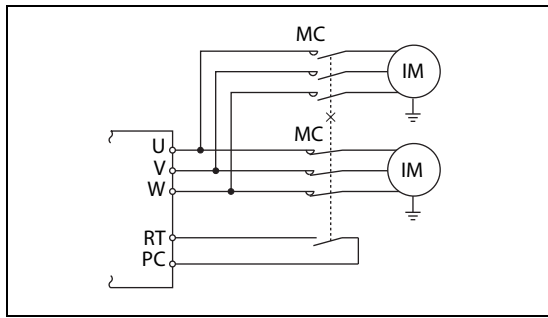


Fig. 5-47:
Operating two motors by a single inverter

1002581E

- These settings are used when rotating two motors with different rated current separately by a single inverter. (When rotating two motors together, use an external thermal relay.)
- Set the rated motor current for the second motor in Pr. 51.
- When the RT signal is ON, thermal protection is provided based on the Pr. 51 setting.

Pr. 450 "Second applied motor"	Pr. 9 "Electronic thermal O/L relay"	Pr. 51 "Second electronic thermal O/L relay"	RT-OFF		RT-ON	
			No.1 Motor	No.2 Motor	No.1 motor	No.2 motor
9999	0	9999	×	×	×	×
		0	×	×	×	×
		0.01 to 500 (0.1 to 3600)	×	Δ	×	○
9999	Other than 0	9999	○	×	○	×
		0	○	×	Δ	×
		0.01 to 500 (0.1 to 3600)	○	Δ	Δ	○
Other than 9999	0	9999	×	×	×	×
		0	×	×	×	×
		0.01 to 500 (0.1 to 3600)	×	Δ	×	○
Other than 9999	Other than 0	9999	○	Δ	Δ	○
		0	○	×	Δ	×
		0.01 to 500 (0.1 to 3600)	○	Δ	Δ	○

○: Values are accumulated by using the output current.

Δ: Values are accumulated by assuming the output current is "0 A" (cooling processing).

×: Electronic thermal O/L relay does not operate.

Tab. 5-67: Switching of the electronic thermal relay

NOTES

The RT signal is a second function selection signal. The RT signal also enables other second functions. (Refer to page 5-291.)

The RT signal is assigned to the terminal RT in the initial setting. Set "3" in any of Pr. 178 to Pr. 189 (input terminal function selection), to assign the RT signal to another terminal.

Motor permissible load level setting (Pr. 607, Pr. 608)

The electronic thermal O/L relay operation characteristic can be changed by setting the permissible load level according to the motor characteristics.

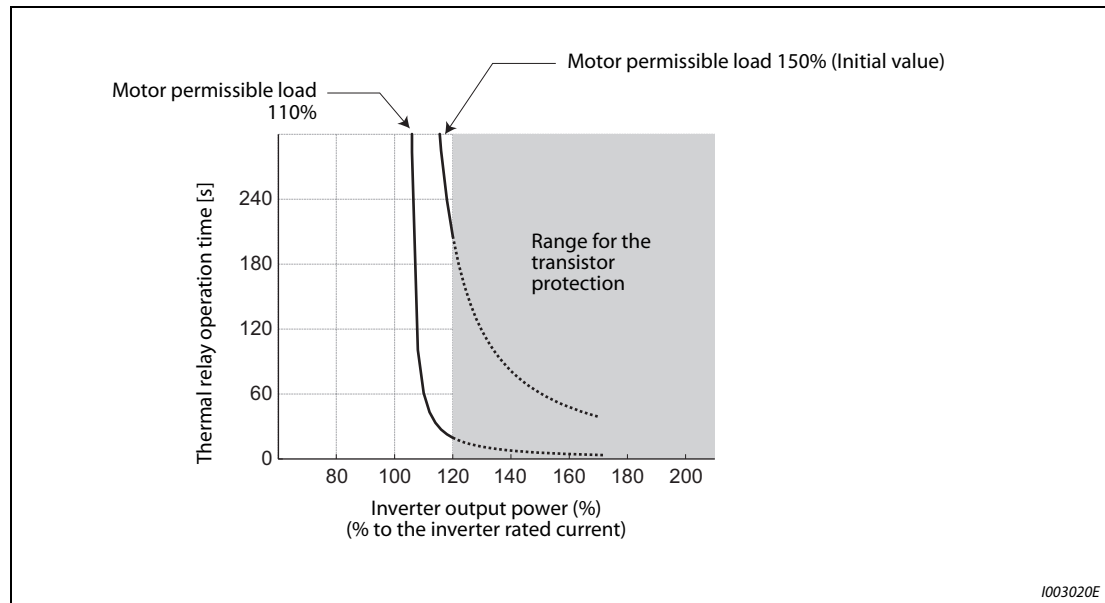


Fig. 5-48: Example of motor permissible load setting (when Pr. 9 = "100% of the inverter rating")

Electronic thermal O/L relay pre-alarm (TH) and warning signal (THP signal)

- If the accumulated electronic thermal value reaches 85% of the Pr. 9 or Pr. 51 setting, electronic thermal O/L relay function pre-alarm (TH) is displayed and the electronic thermal O/L relay pre-alarm (THP) signal is output. If the value reaches 100% of the Pr. 9 setting, the motor thermal protection (E.THM/E.THT) is activated to shut off the inverter output. The inverter output is not shut off with the TH display. The inverter output is not shut off with the warning signal (THP).
- For the terminal used for THP signal output, set "8 (positive logic)" or "108 (negative logic)" in any of Pr. 190 to Pr. 196 (output terminal function selection) to assign the function.

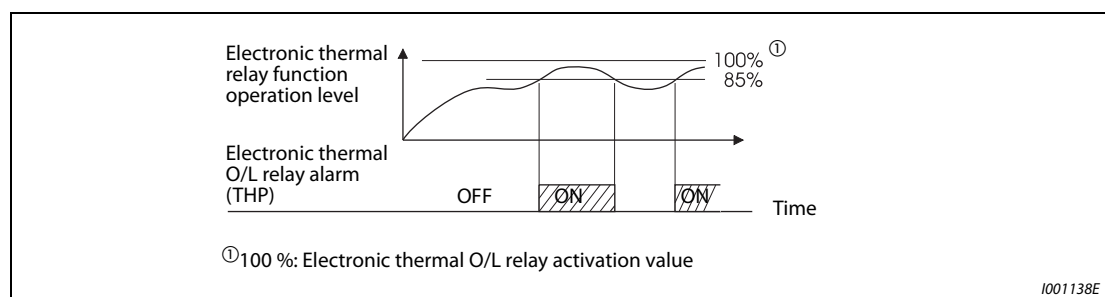


Fig. 5-49: Prealarm signal output

NOTE

Changing the terminal assignment using Pr. 190 to Pr. 196 (output terminal function selection) may affect the other functions. Set parameters after confirming the function of each terminal.

External thermal relay input (OH signal, E.OHT)

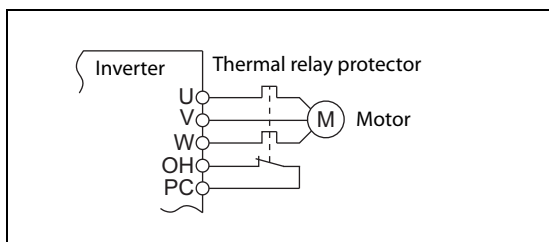


Fig. 5-50:
Connection of an external thermal relay

1002582E_G

External thermal relay input connection diagram

- The external thermal relay input (OH) signal is used when using an external thermal relay or a thermal protector built into the motor to protect the motor from overheating.
- When the thermal relay function is activated, the external thermal operation (E.OHT) shuts off the inverter output.
- For the terminal used for the OH signal input, set "7" in any of Pr. 178 to Pr. 189 (input terminal function selection) to assign the function.

NOTE

Changing the terminal assignment using Pr. 178 to Pr. 189 (input terminal function selection) may affect the other functions. Set parameters after confirming the function of each terminal.

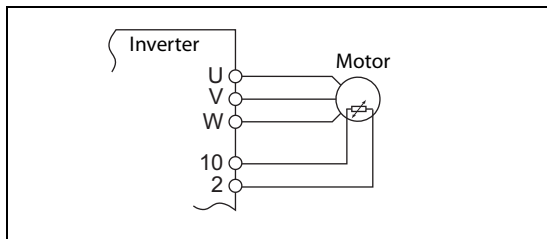
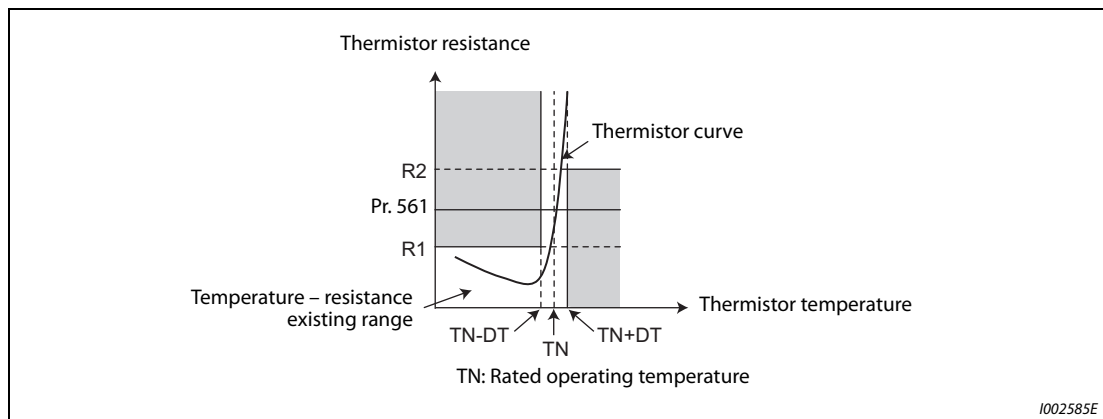
PTC thermistor input (Pr. 561, Pr. 1016, E.PTC)

Fig. 5-51:
PTC thermistor input connection diagram

1002584E



1002585E

Fig. 5-52: Example of PTC thermistor characteristics

- Output from the PTC thermistor, which is built into the motor, can be input to the terminals 2 and 10. If the input from the PTC thermistor reaches the resistor value set in Pr. 561 "PTC thermistor protection level", the PTC thermistor operation (E.PTC) shuts off the inverter output.
- Confirm the characteristic of the PTC thermistor to be used, and set the resistance for Pr. 561 around the center of the R1 and R2 values shown on the figure above so that it does not deviate from the protective function activating temperature T_N . If the Pr. 561 setting becomes too close to R1 or R2, the protective function activating temperature may be too hot (protection is delayed), or too cold (too much protection).
- When the PTC thermistor protection is enabled (Pr. 561 \neq "9999"), the resistance value for the PTC thermistor can be displayed on the operation panel or via RS-485 communication. (Refer to page 5-198.)
- When the PTC thermistor protection level setting is used, use Pr. 1016 "PTC thermistor protection detection time" to set the time from when the resistance of the PTC thermistor reaches the protection level until the protective function (E.PTC) is activated. If the resistance of the PTC thermistor falls below the protection level within the protection detection time, the elapsed time count is cleared.

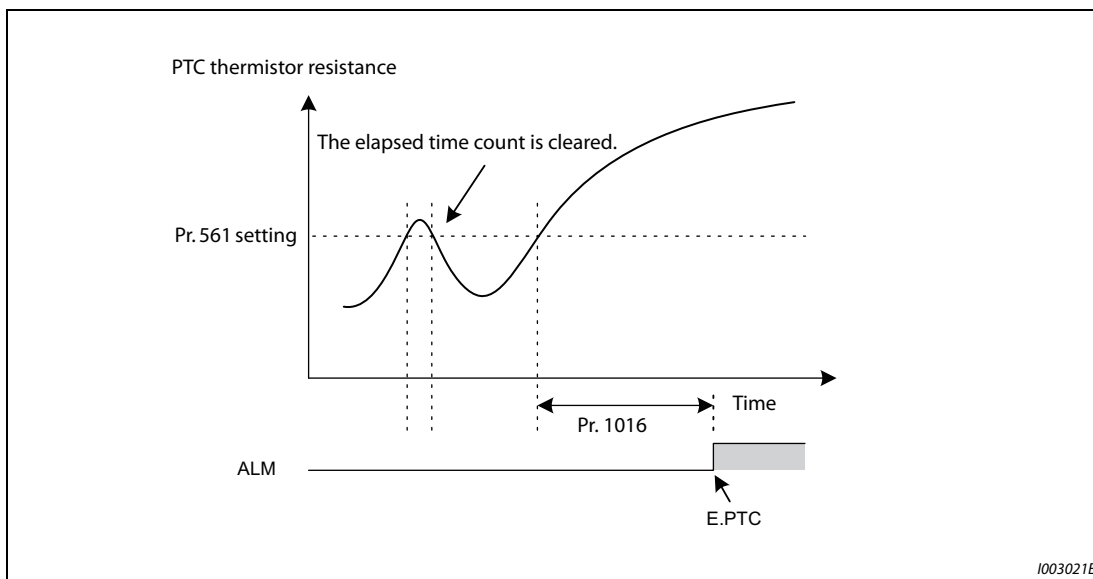


Fig. 5-53: Thermistor protection level and detection time

NOTES

When using terminal 2 for PTC thermistor input (Pr. 561 ≠ "9999"), the terminal 2 will not operate as an analog frequency command terminal. The PID and dancer control functions assigned to the terminal 2 will be also disabled. Use Pr. 133 "PID action set point" to set the set point for the PID function.

To input power to the PTC thermistor power supply, always use the terminal 10. Do not use any other terminals or an external power supply. Otherwise, the PTC thermistor protection (E.PTC) does not operate properly.

When E.PTC is activated, the alarm display, "External protection (AU terminal)", may appear on the parameter unit (FR-PU07), but it is not a fault.

**Overheat protection to match the characteristic of the motor
(Pr. 600 to Pr. 604, Pr. 692 to Pr. 696)**

- The activation level of the electronic thermal O/L relay can be varied to match the motor temperature characteristic.
- The electronic thermal O/L relay's activation level can be set using the combination of three points (Pr. 600, Pr. 601), (Pr. 602, Pr. 603), (Pr. 604, Pr. 9). Two or more points are required for setting.
- The electronic thermal O/L relay's activation level can be set to using the combination of three points (Pr. 692, Pr. 693), (Pr. 694, Pr. 695), (Pr. 696, Pr. 51) when the RT signal is ON.

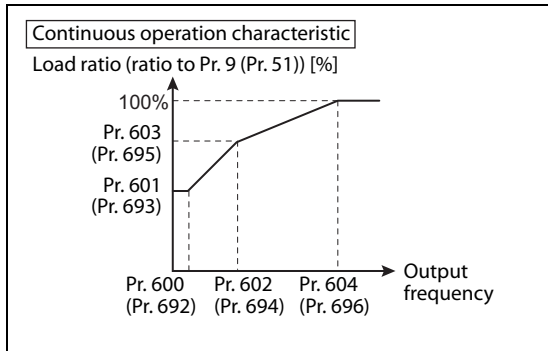


Fig. 5-54:
Overheat protection setting

I002586E

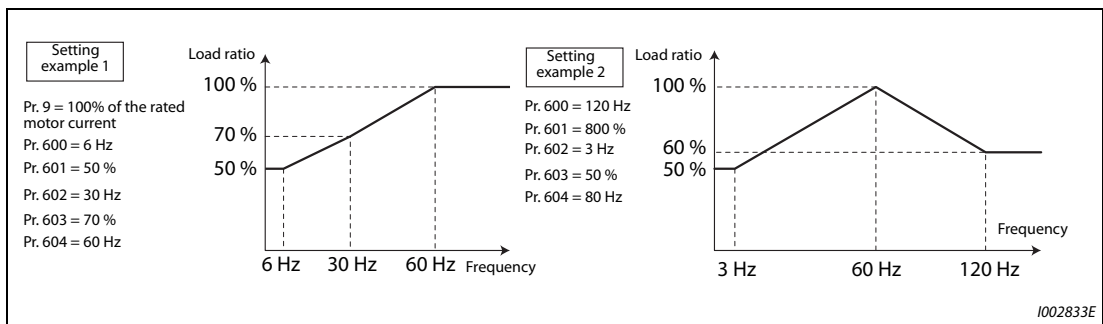


Fig. 5-55: Setting examples

I002833E

- When setting Pr. 600, Pr. 602, Pr. 604 (Pr. 692, Pr. 694, Pr. 696) to the same frequency, the following graph's upper level will be applied.

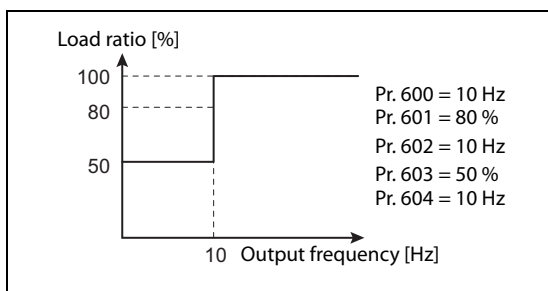


Fig. 5-56:
Overheat protection setting example

I002587E

NOTE

Make sure to set the parameters according to the motor temperature characteristic used.

Parameters referred to		
Pr. 71	Applied motor	=> page 5-297
Pr. 72	PWM frequency selection	=> page 5-88
Pr. 178 to Pr. 189	(input terminal function selection)	=> page 5-285
Pr. 190 to Pr. 196	(output terminal function selection)	=> page 5-231

5.7.2 Cooling fan operation selection

A cooling fan is built into the inverter and its operation can be controlled.

Pr.	Name	Initial value	Setting range	Description
244 H100	Cooling fan operation selection	1	0	A cooling fan operates at power ON. Cooling fan ON/OFF control is invalid. (The cooling fan is always ON at power ON)
			1	Cooling fan ON/OFF control is valid. The fan is always ON while the inverter is running. During a stop, the inverter status is monitored and the fan switches ON/OFF according to the temperature.
			101 to 105	Cooling fan ON/OFF control is valid. Set the cooling fan stop waiting time within 1 to 5 s.

Cooling fan always ON (Pr. 244 = "0")

- When Pr. 244 = "0", the cooling fan operates at power ON. If the fan stops at this time, fan operation is regarded as faulty, Fan alarm \overline{F} \overline{N} [FN] is displayed on the operation panel, and the fan fault (FAN) and alarm (LF) signals are output.
- For the terminal used for the FAN signal output, set "25 (positive logic)" or "125 (negative logic)" in any of Pr. 190 to Pr. 196 (output terminal function selection). For the LF signal, set "98 (positive logic)" or "198 (negative logic)".

Cooling fan operation control (Pr. 244 = "1" (initial value), "101 to 105")

- The cooling fan operation is controlled when Pr. 244 = "1". When the inverter is running, the cooling fan operates; and when it is stopped, the cooling fan operates according to the temperature of the inverter heatsink. If the fan stops although it meets the conditions for running, fan operation is regarded as faulty, [FN] is displayed on the operation panel, and the fan signal and LF signals are output.
- To prevent the cooling fan from turning ON and OFF repeatedly during frequent starts/stops (inching), the cooling fan stop waiting time can be set. The waiting time when Pr. 244 = "101 to 105" is Pr. 244 – 100 (or 1 s, if the Pr. 244 = "101").

Cooling fan operation command signal (Y206 signal)

- The cooling fan operation command signal (Y206 signal) can be output when the inverter cooling fan meets the conditions for running. The function can be used when the fan installed on the enclosure is synchronized with the inverter cooling fan.
- Y206 signal indicates the operating command condition of the inverter cooling fan depending on the power supply ON/OFF or the Pr. 244 settings. The signal does not indicate the actual operation of the cooling fan. (The signal is output even if the cooling fan is stopped due to a fault.)
- To use the Y206 signal, set "206 (positive logic) or 306 (negative logic)" in one of Pr. 190 to Pr. 196 (output terminal function selection) to assign function to an output terminal.

NOTES

The cooling fan is installed on the FR-F820-00105(2.2K) or higher and FR-F840-00083(3.7K) or higher.

Changing the terminal assignment using Pr. 190 to Pr. 196 (output terminal function selection) may affect the other functions. Set parameters after confirming the function of each terminal.

Parameters referred to		
Pr. 190 to Pr. 196	(output terminal function selection)	=> page 5-231

5.7.3 Earth (ground) fault detection at start

Select whether to enable/disable earth (ground) fault detection at start. When enabled, earth (ground) fault detection is performed immediately after a start signal input to the inverter.

Pr.	Name	Initial value	Setting range	Description
249 H101	Earth (ground) fault detection at start	0	0	Without the earth (ground) fault detection at start
			1	With the earth (ground) fault detection at start

- If a ground fault is detected at start while Pr. 249 = "1", the output-side earth (ground) fault overcurrent (E.GF) is displayed and the outputs are shut off. (Refer to page 6-23.)
- The Pr. 249 setting is enabled during V/F control and Advanced magnetic flux vector control.
- When the Pr. 72 "PWM frequency selection" setting is high, enable the ground fault detection at start.

NOTES

Because of the detection performed at start, the output is delayed by approximately 20 ms at every start.

Use Pr. 249 to enable/disable ground fault detection at operation start. Ground faults are detected always during operation regardless of the Pr. 249 setting.

If a smaller-capacity motor is used with the FR-F820-00250(5.5K) or higher and FR-F840-00126(5.5K) or higher, ground fault protection may be insufficient.

5.7.4 Varying the activation level of the undervoltage protective function

If the undervoltage protection (E.UVT) activates due to unstable voltage in the power supply, the undervoltage level (DC bus voltage value) can be changed (only available for 400 V class).

Pr.	Name	Initial value	Setting range	Description
598 H102	Undervoltage level	9999	350 to 430 V DC	Set the DC voltage value at which E.UVT occurs.
			9999	E.UVT occurs at 430 V DC

NOTES

Do not use this function when switching to an external battery, since the inrush current when power is restored increases, as the undervoltage level is decreased.

The Pr. 598 settings are only valid for 400 V class inverters.

The Pr. 598 setting is invalid during PM motor control. The Pr. 598 setting is also invalid during PM motor control for the first or second functions.

5.7.5 Initiating a protective function

A fault (protective function) is initiated by setting the parameter.

This function can be used to check how the system operates at activation of a protective function.

Pr.	Name	Initial value	Setting range	Description
997 H103	Fault initiation	9999	16 to 253	The setting range is same with the one for fault data codes of the inverter (which can be read through communication). Written data is not stored in EEPROM.
			9999	The read value is always "9999". With this setting, the protective function does not activate.

- To initiate a fault (protective function), set the assigned number of the protective function you want to initiate in Pr. 997.
- The value set in Pr. 997 is not stored in EEPROM.
- When a protective function activates, the inverter trips, a fault is displayed, and a fault signal (ALM, ALM2) is output.
- The latest fault in the faults history is displayed while the fault initiation function is in operation. After a reset, the faults history goes back to the previous status. (The protective function generated by the fault is not saved in the faults history.)
- Perform inverter reset to cancel the protective function.
- For the selectable parameter by Pr. 997 and the corresponding protective functions, refer to page 6-9.

NOTES

If a protective function is already operating, no fault can be activated by Pr. 997.

The retry function is disabled when a protective function has been initiated by the fault initiation function.

If a fault occurs after a protective function has been activated, the protective function indication does not change. The fault is not saved in the faults history either.

5.7.6 I/O phase loss protection selection

The output phase loss protection function, which stops the inverter output if one of the three phases (U, V, W) on the inverter's output side (load side) is lost, can be disabled.

The input phase loss protective function on the inverter input side (R/L1, S/L2, T/L3) can be enabled.

Pr.	Name	Initial value	Setting range	Description
251 H200	Output phase loss protection selection	1	0	Without output phase loss protection
			1	With output phase loss protection
872 H201 ^①	Input phase loss protection selection	0	0	Without input phase loss protection
			1	With input phase loss protection

^① The setting is available only for standard models.

Output phase loss protection selection (Pr. 251)

- When Pr. 251 = "0", output phase loss (E.LF) protection is disabled.

Input phase loss protection selection (Pr. 872) (Standard models)

When Pr. 872 = "1", input phase loss (E.ILF) protection will be activated if one of three phases is detected to be lost for 1 s continuously.

NOTES

When several motors are connected, output phase loss cannot be detected even if the wiring to one motor loses phase.

If an input phase is lost while Pr. 872 = "1" (with input phase loss protection), Pr. 261 "Power failure stop selection" ≠ "0" (power failure stop function enabled), the motor decelerates to stop without outputting E.ILF.

In the case of R/L1, S/L2 phase loss, the input phase loss protection will not operate, and the inverter will trip.

If an input phase loss continues for a long time, the converter section and capacitor lives of the inverter will be shorter.

Parameters referred to			
Pr. 261	Power failure stop selection	=>	page 5-432

5.7.7 Retry function

This function allows the inverter to reset itself and restart at activation of the protective function (fault indication). The retry generating protective functions can be also selected.

When the automatic restart after instantaneous power failure function is selected (Pr. 57 "Restart coasting time" \neq 9999), the restart operation is also performed after a retry operation as well as after an instantaneous power failure. (Refer to page 5-415 and page 5-423 for the restart operation.)

Pr.	Name	Initial value	Setting range	Description
65 H300	Retry selection	0	0 to 5	A retry-making fault can be selected. (Refer to tab. 5-69 on page 5-165.)
67 H301	Number of retries at fault occurrence	0	0	No retry function
			1 to 10	Set the number of retries at a fault occurrence. A fault output is not provided during the retry operation.
			101 to 110	Set the number of retries at a fault occurrence. (The setting value minus 100 is the number of retries.) A fault output is provided during the retry operation.
68 H302	Retry waiting time	1 s	0.1 to 600 s	Set the waiting time from a fault occurrence to a retry.
69 H303	Retry count display erase	0	0	Clears the number of successful restarts made by retries.

Setting the retry function (Pr. 67, Pr. 68)

- When the inverter protective function is operating (fault indication), the retry function automatically cancels (resets) the protective function after the time set in Pr. 68. The retry function then restarts the operation from the starting frequency.
- Retry operation is enabled when Pr. 67 \neq "0". For Pr. 67, set the number of retries at activation of the protective function.

Pr. 67 setting	Fault output during retry operation	Retry count
0	—	No retry function
1 to 10	Not provided	1 to 10 times
101 to 110	Provided	1 to 10 times

Tab. 5-68: Setting the retry function parameters

- When retries fail consecutively more than the number of times set in Pr. 67, a retry count excess (E.RET) occurs, resulting in an inverter retries. (Refer to the retry failure example.)
- Use Pr. 68 to set the waiting time from a protective function activation to a retry in the range of 0.1 to 600 s.
- During retry operation, the during retry (Y64) signal is ON. For the Y64 signal, set "64 (positive logic)" or "164 (negative logic)" in any of Pr. 190 to Pr. 196 (output terminal function selection) to assign the function.

Retry count check (Pr. 69)

- Reading the Pr. 69 value provides the cumulative number of successful restart times made by retries. The cumulative count in Pr. 69 increases by 1 when a retry is successful. Retry is regarded as successful when normal operation continues without a fault for the Pr. 68 setting multiplied by four or longer (3.1 s at the shortest). (When retry is successful, the cumulative number of retry failures is cleared.)
- Writing "0" in Pr. 69 clears the cumulative count.

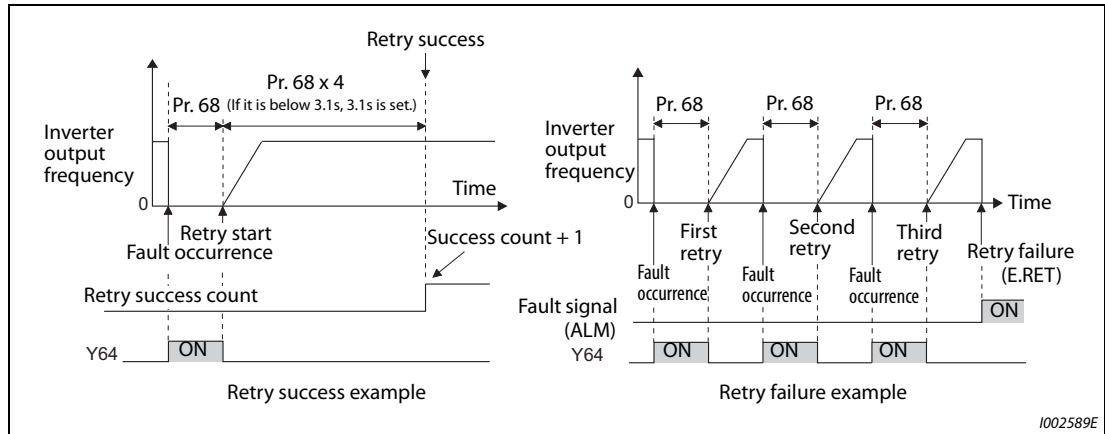


Fig. 5-57: Retry success and retry failure example

Selecting retry generating faults (Pr. 65)

Using Pr. 65, you can select the fault that will cause a retry. No retry will be made for the fault not indicated. (For the fault details, refer to page 6-9.)
 "●" indicates the faults selected for retry.

Retry generating fault	Pr. 65 setting					
	0	1	2	3	4	5
E.OC1	●	●		●	●	●
E.OC2	●	●		●	●	
E.OC3	●	●		●	●	●
E.OV1	●		●	●	●	
E.OV2	●		●	●	●	
E.OV3	●		●	●	●	
E.THM	●					
E.THT	●					
E.IPF	●				●	
E.UVT	●				●	
E. BE	●				●	
E. GF	●				●	
E.OHT	●					
E.OLT	●				●	
E.OPT	●				●	

Retry generating fault	Pr. 65 setting					
	0	1	2	3	4	5
E.OP1	●				●	
E. PE	●				●	
E.OS	●				●	
E.PTC	●					
E.CDO	●				●	
E.SER	●				●	
E.USB	●				●	
E.ILF	●				●	
E.PID	●				●	
E.PCH	●				●	
E.SOT	●	●		●	●	●
E.LCI	●				●	
E.LUP	●				●	
E.LDN	●				●	

Tab. 5-69: Errors selected for retry

NOTES

Use the retry function only when the operation can be resumed after resetting a protective function activation. Making a retry against the protective function, which is activated by an unknown condition, will lead the inverter and motor to be faulty. Identify in what condition the protective function was activated, and eliminate such condition before resuming the operation.

If the retry function operates during PU operations, the operating conditions (forward/reverse rotation) are stored; and operations resume after retry reset.

Only the fault details for the first fault that occurred are stored in the faults history.

The reset by the retry function does not clear the accumulated data of the electronic thermal O/L relay. (This is different from power supply reset or reset by RES signal.)

When the parameter storage device fault (E.PE) is occurring and reading of the retry-function-related parameters is not possible, retry cannot operated.

Changing the terminal assignment using Pr. 190 to Pr. 196 (output terminal function selection) may affect the other functions. Set parameters after confirming the function of each terminal.



CAUTION:

When the retry function is set enabled, stay away from the motor and machine in the case of an inverter trip. The motor and machine will start suddenly (after the reset time has elapsed) after the inverter trip. When the retry function is set enabled, apply in easily visible places the CAUTION stickers supplied to this product.

Parameters referred to

Pr. 57	Restart coasting time	=>	page 5-415, page 5-423
--------	-----------------------	----	------------------------

5.7.8 Emergency drive (Fire mode)

This function is used in case of emergency such as a fire to forcibly continue inverter operation to drive a motor without activating protective functions even if the inverter detects a fault. Using this function may cause damage of the motor or the inverter because driving the motor is given the highest priority. Use this function for emergency operation only.

When the inverter is damaged by a fault, the motor operation can be continued by switching to the commercial power supply operation.

The emergency drive function is available only for the standard model.

Pr.	Name	Initial value		Setting range	Description
		FM	CA		
523 H320 ^①	Emergency drive mode selection	9999		100, 111, 112, 121, 122, 123, 124, 200, 211, 212, 221, 222, 223, 224, 300, 311, 312, 321, 322, 323, 324, 400, 411, 412, 421, 422, 423, 424	Select the operation mode of the emergency drive.
				9999	Emergency drive disabled
524 H321 ^①	Emergency drive running speed	9999		0 to 590 Hz ^③	Set the running frequency in the fixed frequency mode of the emergency drive. (when the fixed frequency mode is selected in Pr.523)
				0 to 100% ^③	Set the PID set point in the PID control mode of the emergency drive. (when the PID control mode is selected in Pr. 523)
				9999 ^③	Emergency drive disabled
515 H322 ^①	Emergency drive dedicated retry count	1		1 to 200	Set the retry count during emergency drive operation.
				9999	Without retry count excess (no restriction on the number of retries)
1013 H323 ^①	Running speed after emergency drive retry reset	60 Hz	50 Hz	0 to 590 Hz	Set the frequency for operation after a retry when any of E.CPU, E.1 to E.3, E.5 to E.7 occurs during emergency drive operation.
514 H324 ^①	Emergency drive dedicated retry waiting time	9999		0.1 to 600 s	Set the retry waiting time during emergency drive operation.
				9999	As set in Pr. 68.
136 A001	MC switchover interlock time	1 s		0 to 100 s	Set the operation interlock time for MC2 and MC3.
139 A004	Automatic switchover frequency from inverter to bypass operation	9999		0 to 60 Hz	Set the frequency at which the inverter-driven operation is switched over to the commercial power supply operation when the condition for electronic bypass is established during emergency drive operation.
				9999	Without automatic switchover
57 A702	Restart coasting time	9999		0	Coasting time differs according to the inverter capacity. (Refer to page 5-423.)
				0.1 to 30 s	Set the waiting time for the inverter to perform a restart after the power lost by an instantaneous power failure restores.
				9999	No restart

① The setting is available only for standard models.

② Set Pr. 524 after setting Pr. 523.

③ When Pr. 523 = "100, 200, 300, 400", the emergency drive is activated regardless of the Pr. 524 setting.

Connection diagram

A connection diagram of the emergency drive is shown below.

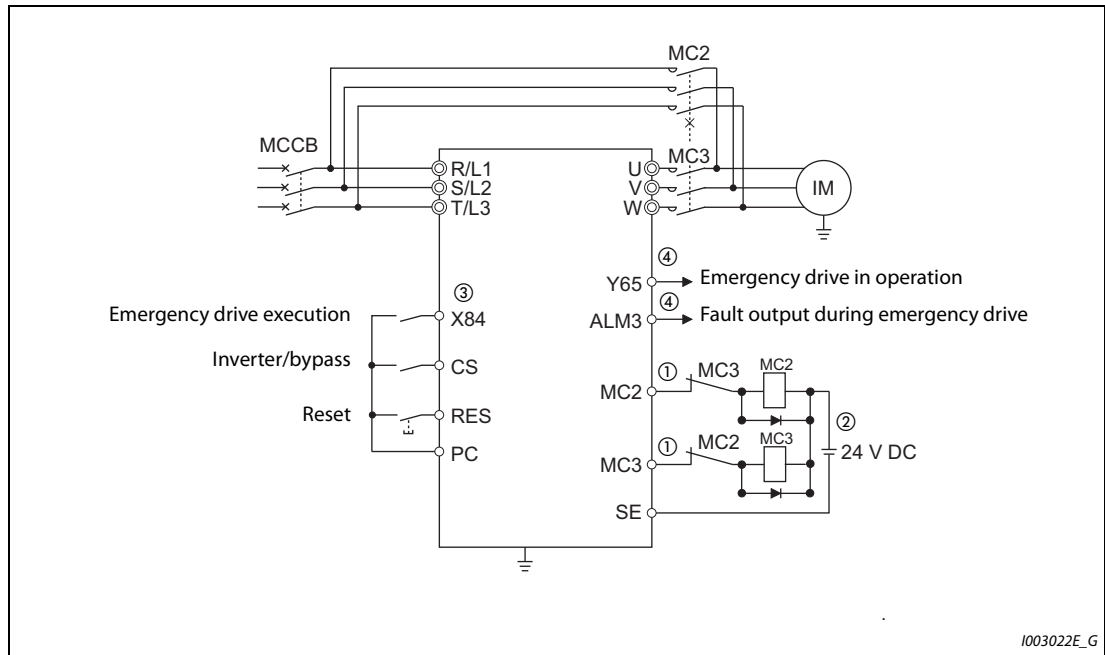


Fig. 5-58: Connection diagram of emergency drive

- ① Be careful of the capacity of the sequence output terminals.
The applied terminals differ by the settings of Pr. 190 to Pr. 196 (output terminal function selection).

Output terminal capacity	Output terminal permissible load
Inverter open collector output (RUN, SU, IPF, OL, FU)	24 V DC 0.1 A
Inverter relay output (A1-C1, B1-C1, A2-B2, B2-C2)	230 V AC 0.3 A
Relay output option (FR-A8AR)	30 V DC 0.3 A

Tab. 5-70: Specification of the output terminals

- ② When connecting a DC power supply, insert a protective diode. When connecting an AC power supply, use the relay output option (FR-A8AR) and use contact outputs.
- ③ The applied terminals differ by the settings of Pr. 180 to Pr. 189 (input terminal function selection).
- ④ The applied terminals differ by the settings of Pr. 190 to Pr. 196 (output terminal function selection).

NOTE | Always provide mechanical interlocks for MC2 and MC3.

Emergency drive execution sequence

NOTES

- | When X84 signal is ON for 3 s, the emergency drive is executed.
- | Y65 signal turns ON during emergency drive operation.
- | "ED" appears on the operation panel during emergency drive operation.
- | ALM3 signal turns ON when a fault occurs during emergency drive operation.
- Operation of the emergency drive function (when the switchover to the commercial power supply during emergency drive is disabled, and the retry in case of critical faults is selected)

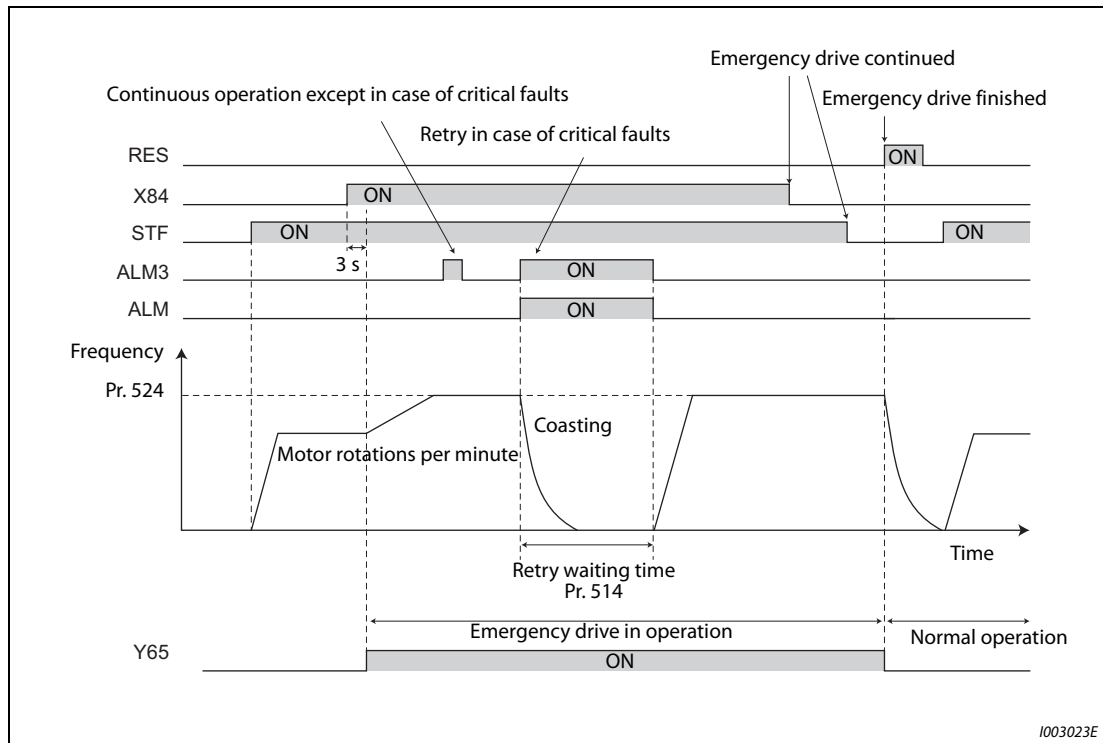


Fig. 5-59: Emergency drive function when switchover to the commercial power supply is disabled

- When the electronic bypass during emergency drive is activated (CS signal is turned ON) (when the switchover to the commercial power supply during emergency drive is enabled)

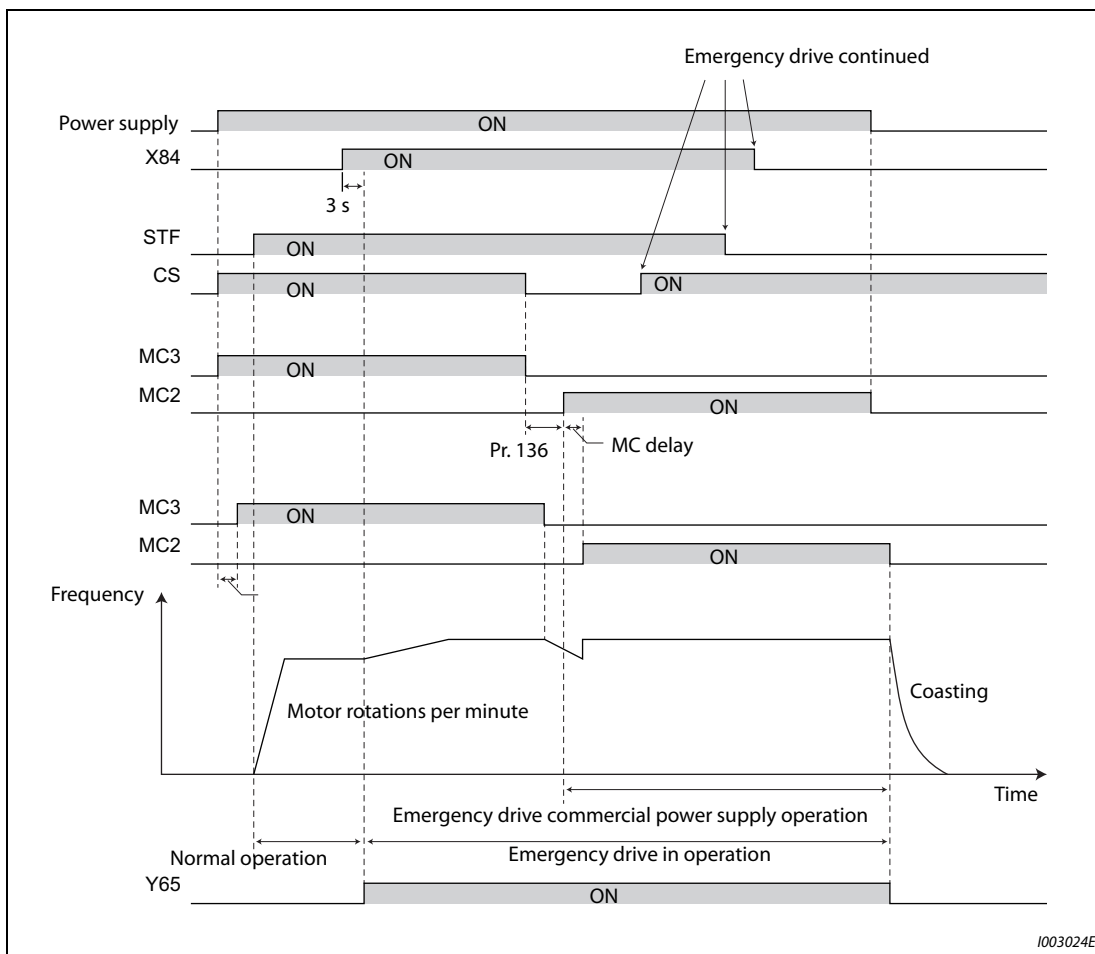


Fig. 5-60: Emergency drive function when switchover to the commercial power supply is enabled

Emergency drive operation selection (Pr. 523, Pr. 524)

Use Pr. 523 "Emergency drive mode selection" to select the emergency drive operation. Set a value in the hundreds place to select the operation when a valid protective function is activated (critical fault) during emergency drive. Set values in the ones and tens places to select the operation method.

Pr. 523 setting	Emergency drive operation mode		Description
1□□	Output shutoff mode		Output shutoff at a critical fault occurrence.
2□□	Retry / output shutoff mode		Retry operation at a critical fault occurrence. (Output shutoff at the occurrence of a fault for which retry is not permitted.) The output is shut off when a critical fault for which retry is not permitted occurs, or the retry count is exceeded.
3□□ ^①	Retry / commercial mode		Retry operation at a critical fault occurrence. (Electronic bypass at the occurrence of a fault for which retry is not permitted.) The operation is switched over to the commercial power supply operation when a critical fault for which retry is not permitted occurs, or the retry count is exceeded. While Pr. 515 = "9999", the operation is switched over to the commercial power supply operation when the retry count reaches 200.
4□□ ^①	Commercial mode		The operation is switched over to the commercial power supply operation when a critical fault occurs.
□00	Normal operation mode		The operation is performed with the same set frequency and by the same starting command as those in the normal operation. Use this mode to avoid output shutoff due to a fault.
□11	Fixed frequency mode	Forward rotation	The operation is forcibly performed with the frequency set in Pr. 524. Even when the motor is stopped, the operation is started by the emergency drive execution.
□12		Reverse rotation	
□21	PID control mode	Forward rotation	The operation is performed under PID control using the Pr. 524 setting as a set point. The measured values are input in the method set in Pr. 128.
□22		Reverse rotation	
□23		Forward rotation (Second PID measured value input)	
□24		Reverse rotation (Second PID measured value input)	
9999	Emergency drive disabled		

Tab. 5-71: Settings of Pr. 523

^① Under PM motor control, the operation is not switched over to the commercial power supply operation the output is shut off.

Retry operation during emergency drive (Pr. 515, Pr. 514)

- Set the retry operation during emergency drive operation. Use Pr. 515 "Emergency drive dedicated retry count" to set the retry count, and use Pr. 514 "Emergency drive dedicated retry waiting time" to set the retry waiting time.
- The ALM signal output conditions depend on the Pr. 67 "Number of retries at fault occurrence" setting. (Refer to page 5-164.)
- For the protective functions (critical faults) for which a retry is performed during emergency drive operation, refer to page 5-174.

NOTE

During emergency drive operation, Pr. 65 "Retry selection" is not available.

Electronic bypass during emergency drive (Pr. 136, Pr. 139, Pr. 57)

- For selecting the commercial mode (Pr. 523 = "3□□, 4□□"), setting is required as follows.
 - Set Pr. 136 "MC switchover interlock time" and Pr. 139 "Automatic switchover frequency from inverter to bypass operation" and assign MC2 and MC3 signals to output terminals.
 - When CS signal is assigned to an input terminal, set Pr. 57 "Restart coasting time" ≠ "9999" and turns the CS signal ON.
(In the initial setting, the CS signal is assigned to the terminal CS.)
 - V/F control or Advanced magnetic flux vector control (under PM motor control, the operation is not switched over to the commercial power supply operation the output is shut off).
- During emergency drive operation, the operation is switched over to the commercial power supply operation when any of the following conditions is satisfied.
 - CS signal turns OFF.
 - A critical fault for which retry is not permitted occurs while Pr. 523="3□□".
 - A critical fault occurs while Pr. 523="4□□".
- While the motor is driven by the inverter during emergency drive operation, if a condition for electronic bypass is satisfied, the output frequency is accelerated/decelerated to the Pr. 139 setting. When the frequency reaches the set frequency, the operation is switched over to the commercial power supply operation. (The operation is immediately switched over to the commercial power supply operation during output shutoff due to a critical fault occurrence.)
- If the parameter for electronic bypass is not set while the commercial mode is set (Pr. 523 = "3□□, 4□□"), the operation is not switched over to the commercial power supply operation even when a condition for switchover is satisfied, and the output is shut off.
- For the terminals used for the MC2 and MC3 signal output, set "18 (positive logic)" and "19 (positive logic)" in any two of Pr. 190 to Pr. 196 (output terminal function selection) to assign the function.
- Operation of magnetic contactor (MC2, MC3)

Magnetic contactor	Installation location	Operation	
		During commercial power supply operation	During inverter operation
MC2	Between power supply and motor	Shorted	Open
MC3	Between inverter output and motor	Open	Shorted

Tab. 5-72: Operation of magnetic contactor (MC2, MC3)

- The input signals are as shown below.

Signal	Function	Operation	MC operation ^③	
			MC2	MC3
CS	Inverter/bypass	ON Inverter operation	×	○
		OFF Emergency drive commercial power supply operation ^①	○	×
X84	Emergency drive execution	ON Emergency drive execution	—	—
		OFF Normal operation ^②	×	○
RES	Operation status reset	ON Reset	×	Invariance
		OFF Normal operation	—	—

Tab. 5-73: Input signals CS, X84 and RES

- ① If the signal is turned ON after switchover to the emergency drive commercial power supply operation, the operation will not be returned to the inverter-driven operation.
- ② If the signal is turned OFF during the emergency drive operation, the operation will not be returned to normal.

③ MC operation

○: MC-ON

×: MC-OFF

—: During inverter operation, MC2-OFF, MC3-ON

During commercial power supply operation, MC2-ON, MC3-OFF

Invariance: The status before changing the signal ON or OFF is held.

NOTE

During electronic bypass operation while the electronic bypass sequence is enabled (Pr. 135 = "1"), the emergency drive function is not available.

PID control during emergency drive operation

- During emergency drive operation in the PID control mode, the operation is performed under PID control using the Pr. 524 setting as a set point. Input the measured values in the method set in Pr. 128 or Pr. 753.
- When the PID control mode is selected for emergency drive, the PID action during emergency drive operation is as follows depending on the PID control setting.

Item	PID control action		
	Set point / measured value input setting	Deviation input setting	Without PID control setting
Measured value input selection	Held	Terminal 4 input	Terminal 4 input
Forward action / reverse action selection	Held	Held	Reverse action (initial setting)
Proportional band	Held	Held	100% (initial setting)
Integral time	Held	Held	1 s (initial setting)
Differential time	Held	Held	Not used (initial setting)
Applied to the frequency / calculation only	Applied to the frequency	Applied to the frequency	Applied to the frequency
Other PID-related settings	Held	Held	Held

Tab. 5-74: Emergency drive operation depending on PID control setting

- While the "retry" (Pr. 523 = "22□, 32□") is selected in the PID control mode, if a retry occurs at an occurrence of E.CPU, E.1 to E.3, E.5 to E.7 during emergency drive operation, the operation is performed not under PID control but with the fixed frequency. Use Pr. 1013 "Running speed after emergency drive retry reset" to set the fixed frequency.

NOTE

For details of the PID control, refer to page 5-353.

Operation of protective functions during emergency drive

- Operation of protective functions during emergency drive is as follows.

Protective function	Operation during emergency drive	Protective function	Operation during emergency drive	Protective function	Operation during emergency drive
E.OC1	Retry	E.OHT	Retry	E.IOH	Output shutoff
E.OC2	Retry	E.PTC	Retry	E.SER	Disabled
E.OC3	Retry	E.OPT	Disabled	E.AIE	Disabled
E.OV1	Retry	E.OP1	Disabled	E.USB	Disabled
E.OV2	Retry	E.OP2	Disabled	E.SAF	Retry ^①
E.OV3	Retry	E.OP3	Disabled	E.PBT	Retry ^①
E.THT	Retry	E.16	Disabled	E.OS	Disabled
E.THM	Retry	E.17	Disabled	E.LCI	Disabled
E.FIN	Retry	E.18	Disabled	E.PCH	Disabled
E.IPF	Disabled	E.19	Disabled	E.PID	Disabled
E.UVT	Disabled	E.20	Disabled	E.1	Retry
E.ILF	Disabled	E.PE	Output shutoff	E.2	Retry
E.OLT	Retry	E.PUE	Disabled	E.3	Retry
E.SOT	Retry	E.RET	Output shutoff	E.5	Retry
E.LUP	Disabled	E.PE2	Output shutoff	E.6	Retry ^①
E.LDN	Disabled	E.CPU	Retry	E.7	Retry ^①
E.BE	Retry ^①	E.CTE	Disabled	E.13	Retry ^①
E.GF	Retry	E.P24	Disabled		
E.LF	Disabled	E.CDO	Retry		

Tab. 5-75: Operation of protective functions during emergency drive

- ^① While the switchover to the commercial power supply operation during emergency drive operation is enabled, when the same protective function is activated twice consecutively, the retry is attempted up to twice.

- The fault output during emergency drive operation is as follows.

Signal	Pr. 190 to Pr. 196 setting		Description
	Positive logic	Negative logic	
ALM	99	199	Turns ON at the occurrence of a fault that causes the above-mentioned "retry" or "output shutoff" during emergency drive operation.
ALM3	66	166	Output when a fault occurs during emergency drive operation. During emergency drive operation, if a fault that does not activate any protective function occurs, the signal turns ON for 3 s and then turns OFF.

Tab. 5-76: Fault output during emergency drive operation

Input signal operation

- During emergency drive operation in the fixed frequency mode or in the PID control mode, input signals unrelated to the emergency drive become invalid with some exceptions.
- The table below shows functions of the signals that do not become invalid during emergency drive operation in the fixed frequency mode or in the PID control mode.

Input signal status	Fixed frequency mode	PID control mode
Valid	OH, TRG, TRC, X51, RES, X70, X71	OH, TRG, TRC, X51, RES, X70, X71
Held	RT, X18, SQ, X84	RT, X18, SQ, X64, X65, X66, X67, X79, X84
Always-ON	—	X14, X77, X78, X80

Tab. 5-77: Input signal operation during emergency drive operation

Emergency drive status monitor

- Set "68" in Pr. 52, Pr. 774 to Pr. 776, Pr. 992 to monitor the status of the emergency drive on the operation panel.
- Description of the status monitor

Operation panel indication	Description	
	Emergency drive setting	Emergency drive operating status
0	Emergency drive function setting is not available.	—
1	Electronic bypass during emergency drive operation is disabled.	During normal operation
2		Operating properly
3		A certain alarm is occurring.
4		A critical fault is occurring. The operation is being continued by the retry.
5		A critical fault is occurring. The continuous operation is not allowed due to output shutoff.
11	Electronic bypass during emergency drive operation is enabled.	During normal operation
12		Operating properly
13		A certain alarm is occurring.
14		A critical fault is occurring. The operation is being continued by the retry.
15		A critical fault is occurring. The continuous operation is not allowed due to output shutoff.
2□ ^①		Electronic bypass is started during emergency drive (during acceleration/deceleration to the switchover frequency).
3□ ^①		During electronic bypass during emergency drive (waiting during the interlock time).
4□ ^①		During commercial power supply operation during emergency drive

Tab. 5-78: Emergency drive status monitor description

^① The first digit remains the same as the previous numerical value (fault condition).

NOTES

When the "retry" (Pr. 523 = "2□□, 3□□") is selected, it is recommended to use the automatic restart after instantaneous power failure function at the same time.

Parameter setting is not available during emergency drive operation.

To return to the normal operation during emergency drive operation, do the following:
(The operation will not be returned to normal only by turning OFF the X84 signal.)

- Reset the inverter, or turn the power supply OFF.
- Clear a fault by turning ON the X51 signal while the sequence function is enabled (when the protective function is activated).

The operation is switched over to the commercial power supply operation in case of the following during emergency drive operation:

- 24 V external power supply operation
- Power failure status or operation with the power supplied through R1/S1
- Undervoltage

While the electronic bypass sequence is set or when the operation is performed with the power supplied through R1/S1, when Pr. 30 = "2", the emergency drive function is disabled.

**CAUTION:**

When the emergency drive operation is performed, the operation is continued or the retry is repeated even when a fault occurs, which may damage or burn the inverter and motor. Before restarting the normal operation after using this function, make sure that the inverter and motor have no fault. Any damage of the inverter or the motor caused by using the emergency drive function is not covered by the warranty even within the guarantee period.

5.7.9 Limiting the output frequency (maximum/minimum frequency)

Motor speed can be limited. Clamp the output frequency at the upper and lower limits.

Pr.	Name	Initial value	Setting range	Description
1 H400	Maximum frequency	120 Hz ^①	0 to 120 Hz	Set the upper limit of the output frequency.
		60 Hz ^②		
2 H401	Minimum frequency	0 Hz	0 to 120 Hz	Set the lower limit of the output frequency.
18 H402	High speed maximum frequency	120 Hz ^①	0 to 590 Hz	Set when operating at 120 Hz or higher.
		60 Hz ^②		

① For the FR-F820-02330(55K) or lower and FR-F840-01160(55K) or lower.

② For the FR-F820-03160(75K) or higher and FR-F840-01800(75K) or higher.

Setting the maximum frequency (Pr. 1, Pr. 18)

- Set Pr. 1 "Maximum frequency" to the upper limit of the output frequency. If the value of the frequency command entered is higher than the setting, the output frequency is clamped at the maximum frequency.
- To operate at a frequency higher than the 120 Hz, adjust the upper output frequency limit with Pr. 18 "High speed maximum frequency". (When setting a frequency in Pr. 18, the Pr. 1 setting automatically changes to the frequency set in Pr. 18. Also, when setting a frequency in Pr. 1, the Pr. 18 setting automatically changes to the frequency set in Pr. 1.)

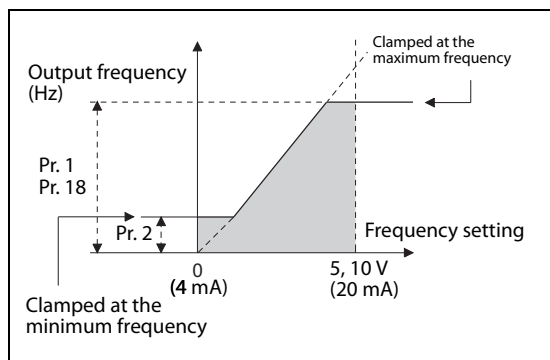


Fig. 5-61:
Maximum and minimum output frequency

1002590E

Setting the minimum frequency (Pr. 2)

- Set Pr. 2 "Minimum frequency" to the lower limit of the output frequency.
- If the set frequency is Pr. 2 or less, the output frequency is clamped at Pr. 2 (will not fall below Pr. 2).

NOTES

To operate with a frequency higher than 60 Hz using frequency-setting analog signals, change the Pr. 125 (Pr. 126) (frequency setting gain) setting. Simply changing the Pr. 1 and Pr. 18 settings does not enable operation at a frequency higher than 60 Hz.

During PM motor control, the upper and lower limits are for the commanded frequency.

When Pr. 15 "Jog frequency" setting is equal to or less than Pr. 2 setting, the Pr. 15 setting has precedence over the Pr. 2 setting.

If a jump frequency that exceeds Pr. 1 (Pr. 18) "Maximum frequency" is set for the 3-point frequency jump, the maximum frequency setting is the set frequency. If the set frequency is less than the jump frequency Pr. 2 "Minimum frequency", the jump frequency is the set frequency. (The set frequency can be equal to or lower than the frequency lower limit.)

**CAUTION:**

Note that when Pr. 2 is set to any value equal to or higher than Pr. 13 "Starting frequency", simply turning ON the start signal will run the motor at the frequency set in Pr. 2 even if the command frequency is not input.

Parameters referred to

Pr. 13	Starting frequency	=>	page 5-115, page 5-117
Pr. 15	Jog frequency	=>	page 5-144
Pr. 125	Terminal 2 frequency setting gain frequency	=>	page 5-266
Pr. 126	Terminal 4 frequency setting gain frequency	=>	page 5-266

5.7.10 Avoiding the mechanical resonance points (frequency jump)

When it is desired to avoid resonance attributable to the natural frequency of a mechanical system, these parameters allow resonant frequencies to be jumped.

Pr.	Name	Initial value	Setting range	Description
31 H420	Frequency jump 1A	9999	0 to 590 Hz, 9999	1A to 1B, 2A to 2B, 3A to 3B are frequency jumps. (3-point jump) 9999: Function disabled
32 H421	Frequency jump 1B			
33 H422	Frequency jump 2A			
34 H423	Frequency jump 2B			
35 H424	Frequency jump 3A			
36 H425	Frequency jump 3B			
552 H429	Frequency jump range	9999	0 to 3 (0 Hz)	Set the jump range for the frequency jumps (6-point jump).
			9999	3-point jump

3-point frequency jump (Pr. 31 to Pr. 36)

- Up to three areas may be set, with the jump frequencies set to either the top or bottom point of each area.
- The settings of frequency jumps 1A, 2A, 3A are jump points, and operation is performed at these frequencies in the jump areas.

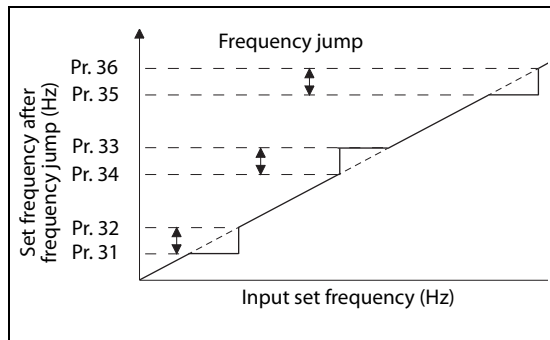


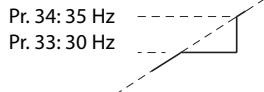
Fig. 5-62: Definition of the jump areas

1002591E

Example ▽

Example 1:

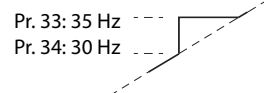
To fix the frequency to 30 Hz in the range of 30 Hz to 35 Hz, set 35 Hz in Pr. 34 and 30 Hz in Pr. 33.



Example ▽

Example 2:

To jump the frequency to 35 Hz in the range of 30 Hz to 35 Hz, set 35 Hz in Pr. 33 and 30 Hz in Pr. 34.



6-point frequency jump (Pr. 552)

- A total of six jump areas can be set by setting the common jump range for the frequencies set in Pr. 31 to Pr. 36.
- When frequency jump ranges overlap, the lower limit of the lower jump range and the upper limit of the upper jump range are used.
- When the set frequency decreases and falls within the jump range, the upper limit of the jump range is the set frequency. When the set frequency increases and falls within the jump range, the lower limit of the jump range is the set frequency.

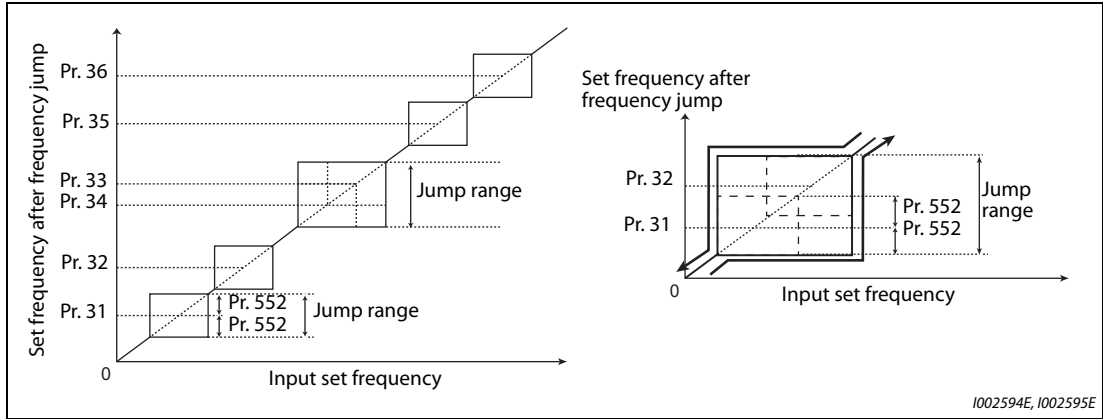


Fig. 5-63: 6-point frequency jump

NOTES

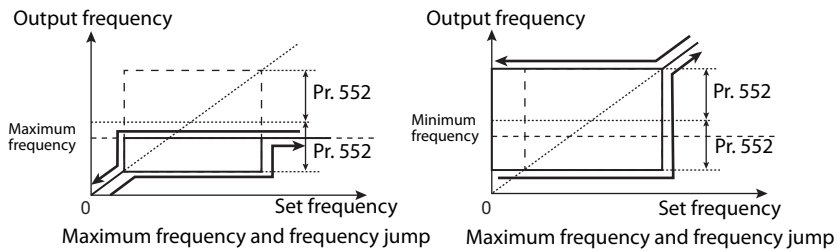
During acceleration/deceleration, the running frequency within the set area is valid.

If the setting ranges of individual groups (1A and 1B, 2A and 2B, 3A and 3B) overlap, write disable error (Er1) will occur.

Setting Pr. 552 = "0" disables frequency jumps.

If a jump frequency that exceeds Pr. 1 (Pr. 18) "Maximum frequency" is set for the 3-point jump, the maximum frequency setting is the set frequency. If the set frequency is less than the jump frequency Pr. 2 "Minimum frequency", the jump frequency is the set frequency. (The set frequency can be equal to or lower than the frequency lower limit.)

Example with 6-point frequency jump



Parameters referred to			
Pr. 1	Maximum frequency	=>	page 5-176
Pr. 18	High speed maximum frequency	=>	page 5-176
Pr. 2	Minimum frequency	=>	page 5-176

5.7.11 Stall prevention operation

This function monitors the output current and automatically changes the output frequency to prevent the inverter from tripping due to overcurrent, overvoltage, etc. It can also limit the stall prevention and fast-response current limit operation during acceleration/deceleration and power/regenerative driving.













- Stall prevention




If the output current exceeds the stall prevention operation level, the output frequency of the inverter is automatically changed to reduce the output current.

Also the second stall prevention function can limit the output frequency range in which the stall prevention function is enabled.

- Fast-response current limit

If the current exceeds the limit value, the output of the inverter is shut off to prevent an overcurrent.

Pr.	Name	Initial value		Setting range	Description
		FM	CA		
22 H500	Stall prevention operation level	120%	110%	0	Stall prevention operation disabled.
				0.1 to 400% ①	Set the current limit at which the stall prevention operation will start.
156 H501	Stall prevention operation selection	0		0 to 31, 100 to 101	Enable/disable the stall prevention operation and the fast-response current limit operation.
48 H600  	Second stall prevention operation level	120%	110%	0	Second stall prevention operation disabled.
				0.1 to 400% ①	The stall prevention operation level can be changed using the RT signal.
49 H601  	Second stall prevention operation frequency	0Hz		0	Second stall prevention operation disabled.
				0.01 to 590 Hz	Set the frequency at which the Pr. 48 stall prevention operation will start.
				9999	Pr. 48 is enabled when RT signal is ON.
23 H610  	Stall prevention operation level compensation factor at double speed	9999		0 to 200%	The stall operation level when running at high speeds above the rated frequency can be reduced.
				9999	Stall prevention operation disabled at double speed.
66 H611  	Stall prevention operation reduction starting frequency	60 Hz	50 Hz	0 to 590 Hz	Set the frequency at which the stall operation level reduction will start.
148 H620  	Stall prevention level at 0 V input	120%	110%	0 to 400% ①	The stall prevention operation level can be changed by the analog signal input to the terminal 1 (terminal 4).
149 H621  	Stall prevention level at 10 V input	150%	120%	0 to 400% ①	

Pr.	Name	Initial value		Setting range	Description	
		FM	CA			
154 H631  	Voltage reduction selection during stall prevention operation	1		0	Output voltage reduction enabled.	Enable/disable the output voltage reduction during stall prevention operation. Use this setting when the overvoltage protective function (E.OV[]) activates during stall prevention operation in an application with large load inertia.
				1	Output voltage reduction disabled.	
				10	Output voltage reduction enabled.	
				11	Output voltage reduction disabled.	
157 M430	OL signal output timer	0s		0 to 25 s	Set the OL signal output start time when stall prevention is activated.	
				9999	No OL signal output.	
858 T040	Terminal 4 function assignment	0		0, 4, 9999	When set "4", the stall prevention level can be changed with the signal to the terminal 4.	
868 T010	Terminal 1 function assignment	0		0, 4, 9999	When set "4", the stall prevention level can be changed with the signal to the terminal 1.	
874 H730 	OLT level setting	120%	110%	0 to 400%	A trip can be set for when the stall prevention is activated and the motor stalls. Set the output at which to activate the trip.	

- ① The upper limit of stall prevention operation is limited internally to the following:
120% (SLD rating), 150% (LD rating)

Setting the stall prevention operation level (Pr. 22)

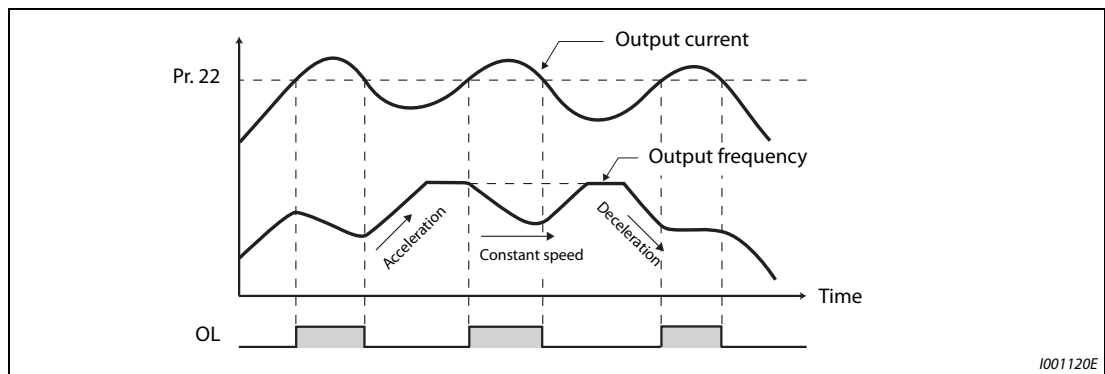


Fig. 5-64: Stall prevention operation example

- For Pr. 22 "Stall prevention operation level", set the ratio of the output current to the inverter's rated current at which the stall prevention operation will be activated. Normally, use this parameter in the initial setting.
- Stall prevention operation stops acceleration (makes deceleration) during acceleration, makes deceleration during constant speed, and stops deceleration during deceleration.
- When the stall prevention operation is performed, the Overload warning (OL) signal is output.

NOTES

A continuous overloaded condition may activate a protective function such as motor overload trip (electronic thermal O/L relay function) (E.THM).

When Pr. 156 has been set to activate the fast response current limit (initial value), the Pr. 22 setting should not be higher than 140%. Such setting will prevent torque generation.

Under PM motor control, the stall prevention operation level is reduced inversely proportional to the output frequency in the constant output range of the rated motor frequency or higher.

Disabling the stall prevention operation and fast-response current limit according to operating conditions (Pr. 156)

Referring to the table below, enable/disable the stall prevention operation and the fast-response current limit operation, and also set the operation at OL signal output.

Pr. 156 setting	Fast response current limit ○: enabled ●: disabled	Stall prevention operation selection ○: enabled ●: disabled			OL signal output ○: operation continued ●: operation stopped ^①
		Acceleration	Constant speed	Deceleration	
0 (initial value)	○	○	○	○	○
1	●	○	○	○	○
2	○	●	○	○	○
3	●	●	○	○	○
4	○	○	●	○	○
5	●	○	●	○	○
6	○	●	●	○	○
7	●	●	●	○	○
8	○	○	○	●	○
9	●	○	○	●	○
10	○	●	○	●	○
11	●	●	○	●	○
12	○	○	●	●	○
13	●	○	●	●	○
14	○	●	●	●	○
15	●	●	●	●	— ^②
100 ^③	Power driving	○	○	○	○
	Regenerative driving	●	●	●	— ^②
16	○	○	○	○	●
17	●	○	○	○	●
18	○	●	○	○	●
19	●	●	○	○	●
20	○	○	●	○	●
21	●	○	●	○	●
22	○	●	●	○	●
23	●	●	●	○	●
24	○	○	○	●	●
25	●	○	○	●	●
26	○	●	○	●	●
27	●	●	○	●	●
28	○	○	●	●	●
29	●	○	●	●	●
30	○	●	●	●	●
31	●	●	●	●	— ^②
101 ^③	Power driving	●	○	○	○
	Regenerative driving	●	●	●	— ^②

Tab. 5-79: Setting of parameter 156

- ① When "operation stop at OL signal output" is selected, the fault output "E. OLF" (stop due to stall prevention) is displayed, and operation stops.
- ② The OL signal and E.OLF are not output because fast-response current limit and stall prevention are not operating.
- ③ Setting values "100, 101" can be individually set for power driving and regenerative driving. The setting value "101" disables the fast-response current limit during power driving.

NOTES

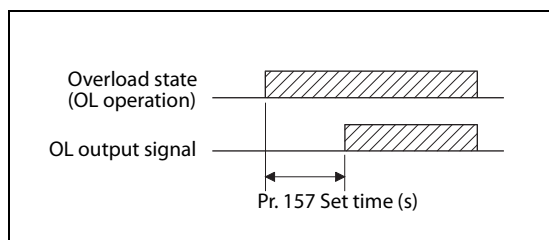
When the load is heavy or the acceleration/deceleration time is short, stall prevention operates and acceleration/deceleration may not be performed according to the time set. In such case, set the Pr. 156 and the stall prevention operation level to the optimum values.

For lift applications, make settings to disable the fast-response current limit. Otherwise, the torque may be insufficient, causing the load to drop.

Adjusting the stall prevention operation signal output and output timing (OL signal, Pr. 157)

- If the output current exceeds the stall prevention operation level and stall prevention is activated, Overload warning (OL) signal will turn ON for 100 ms or more. The output signal turns OFF when the output current falls to the stall prevention operation level or less.
- Pr. 157 "OL signal output timer" can set whether to output the OL signal immediately, or to output it after a certain time period.
- This function also operates during regeneration avoidance operation $\square \perp$ (overvoltage stall).

Pr. 157 setting	Description
0 (initial value)	Output immediately.
0.1 to 25	Output after the set time (s).
9999	Not output.

Tab. 5-80: Setting of parameter 157**Fig. 5-65:**
Output of the OL signal

1002515E

NOTES

OL signal is assigned to the terminal OL in the initial status. The OL signal can be assigned to other terminals by setting "3 (positive logic) or 103 (negative logic)" in any of Pr. 190 to Pr. 196 (output terminal function selection).

If the stall prevention operation has lowered the output frequency to 0.5 Hz and kept the level for 3 s, the stall prevention stop (E.OLT) is activated to shut off the inverter output.

Changing the terminal assignment using Pr. 190 to Pr. 196 (output terminal function selection) may affect the other functions. Set parameters after confirming the function of each terminal.

Setting for stall prevention operation in the high-frequency range
(Pr. 22, Pr. 23, Pr. 66) 

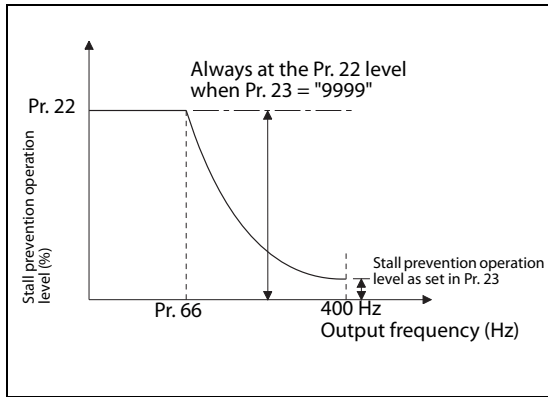


Fig. 5-66:
 Stall prevention operation level

1002597E

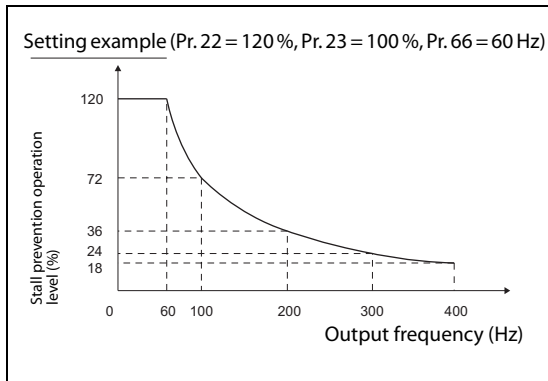


Fig. 5-67:
 Stall prevention operation level when
 Pr. 22 = 120 %, Pr. 23 = 100 % and Pr. 66 = 60 Hz

1002598E

- When operating at the rated motor frequency or higher, acceleration may not be made because the motor current does not increase. Also, when operating in the high-frequency range, the current flowing to the locked motor becomes less than the rated output current of the inverter; and even if the motor is stopped, the protective function will not operate (OL). In a case like this, the stall prevention level can be reduced in the high-frequency range to improve the motor's operating characteristics. This is useful when operating up to the high speed range, such as when using a centrifuge. Normally, set Pr.66 "Stall prevention operation reduction starting frequency" to 60 Hz, and Pr. 23 "Stall prevention operation level compensation factor at double speed" to 100%.

- Calculation formula for stall prevention operation level

$$\text{Stall prevention operation level (\%)} = A + B \times \left[\frac{\text{Pr. 22} - A}{\text{Pr. 22} - B} \right] \times \left[\frac{\text{Pr. 23} - 100}{100} \right]$$

in the high-frequency range

$$\text{Where } A = \frac{\text{Pr. 66 (Hz)} \times \text{Pr. 22 (\%)}}{\text{Output frequency (Hz)}}, B = \frac{\text{Pr. 66 (Hz)} \times \text{Pr. 22 (\%)}}{400 \text{ (Hz)}}$$

- When Pr. 23 = "9999" (initial value), the stall prevention operation level is constant at the Pr. 22 level up to 590 Hz.

Setting multiple stall prevention operation levels (Pr. 48, Pr. 49) 

- By setting Pr. 49 "Second stall prevention operation frequency" = "9999" and turning ON the RT signal, Pr. 48 "Second stall prevention operation level" will be enabled.
- For Pr. 48, set the stall prevention operation level that is effective in the output frequency range between 0 Hz and Pr. 49. However, the operation level is Pr. 22 during acceleration.
- Stop-on-contact operation can be used by decreasing the Pr. 48 setting and loosening the reduction torque (torque when stopped).

Pr. 49 setting	Operation
0 (initial value)	The second stall prevention function disabled.
0.01 Hz to 590 Hz	The second stall prevention function operates according to the frequency. ^①
9999 ^②	The second stall prevention function operates according to the RT signal. RT signal ON: stall level Pr. 48 RT signal OFF: stall level Pr. 22

Tab. 5-81: Settings of parameter 49

- ^① For the stall prevention operation level, the smaller of Pr. 22 and Pr. 48 has precedence.
- ^② When Pr. 858 = "4 (analog input to terminal 4 for stall prevention operation level)" or Pr. 868 = "4 (analog input to terminal 1 for stall prevention operation level)", turning ON the RT signal will not enable the second stall prevention function. (Input to the terminal 4 or terminal 1 is valid.)

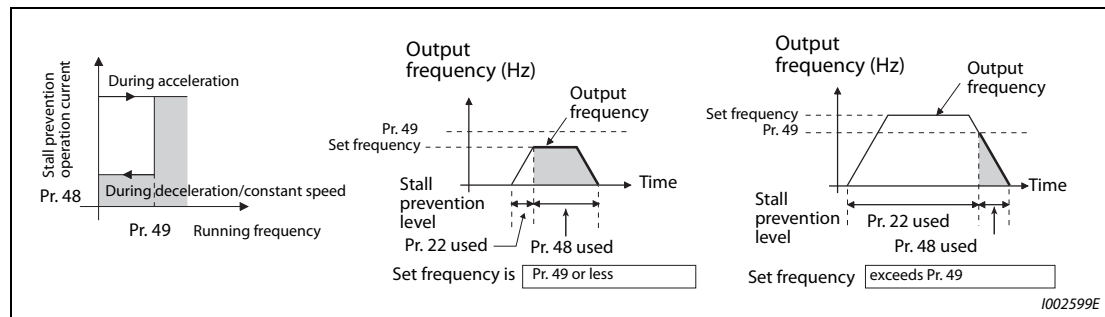


Fig. 5-68: Stall prevention operation level setting example

NOTES

When Pr. 49 \neq "9999" (level change according to frequency) and Pr. 48 = "0%", the stall prevention function will be disabled at or lower than the frequency set in Pr. 49.

The RT signal is assigned to the terminal RT in the initial status. Set "3" in any of Pr. 178 to Pr. 189 (input terminal function selection) to assign the RT signal to another terminal.

Changing the terminal assignment using Pr. 178 to Pr. 189 (input terminal function selection) may affect the other functions. Set parameters after confirming the function of each terminal.

The RT signal acts as the second function selection signal and makes the other second functions valid. (Refer to page 5-291.)

Stall prevention operation level setting (analog variable) from terminal 1 (terminal 4)
(Pr. 148, Pr. 149, Pr. 858, Pr. 868) 

- To use the terminal 1 (analog voltage input) to set the stall prevention operation level, set Pr. 868 "Terminal 1 function assignment" = "4". Then, input a 0 to 5 V (or 0 to 10 V) to the terminal 1. To choose whether 5 V or 10 V, use Pr. 73 "Analog input selection". In the initial status, Pr. 73 = "1 (initial value)" is set to choose 0 to ±10 V input.
- When setting the stall prevention operation level from terminal 4 (analog current input), set Pr. 858 "Terminal 4 function assignment" = "4".
- Input 0 to 20 mA into terminal 4. There is no need to turn ON the AU signal.
- Set Pr. 148 "Stall prevention level at 0 V input" to the current limit level when input voltage is 0 V (0 mA).
- Set Pr. 149 "Stall prevention level at 10 V input" to the current limit level when input voltage is 10 V/5 V (20 mA).

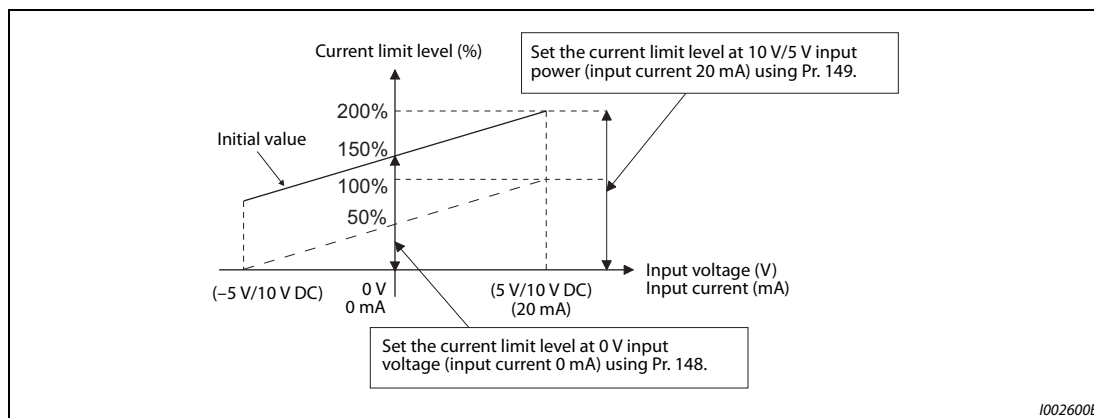


Fig. 5-69: Stall prevention operation level setting by terminal 1

Pr. 858 setting	Pr. 868 setting	V/F, Advanced magnetic flux vector control	
		Terminal 4 function	Terminal 1 function
0 (initial value)	0 (initial value)	Frequency command (AU signal-ON)	Auxiliary frequency
	4 ①		Stall prevention
	9999		—
4 ②	0 (initial value)	Stall prevention	Auxiliary frequency
	4 ①	— ③	Stall prevention
	9999	Stall prevention	—
9999	—	—	—


Tab. 5-82: Functions of terminal 1 and 4 in dependence of the control mode

- ① When Pr. 868 = "4" (analog stall prevention), the other functions for terminal 1 (auxiliary input, override function, PID control) will be disabled.
- ② When Pr. 858 = "4" (analog stall prevention), PID control and speed commands using terminal 4 will not operate, even if the AU signal turns ON.
- ③ When both of Pr. 858 and Pr. 868 are set to "4" (stall prevention), terminal 1 functions take priority and terminal 4 has no function.

NOTES

The fast-response current limit cannot be set.

To change the stall prevention operation level with the analog signal under PM motor control, set C16 to C19 or C38 to C41 to calibrate terminal 1 or terminal 4. (Refer to page 5-273.)

To further prevent a trip (Pr. 154) 

- When Pr. 154 "Voltage reduction selection during stall prevention operation" = "0, 10", the output voltage is reduced. By making this setting, an overcurrent trip becomes less likely to occur. Use this setting when torque reduction does not pose a problem. (Under V/F control, the output voltage is reduced only during the stall prevention operation is activated.)
- Set Pr. 154 = "10, 11" when the overvoltage protective function (E.OV□) activates during stall prevention operation in an application with large load inertia. Note that turning OFF the start signal (STF/STR) or varying the frequency command during stall prevention operation may delay the acceleration/deceleration start.

Pr. 154	E.OC□ countermeasure	E.OV□ countermeasure
0	Effective	—
1 (initial value)	—	—
10	Effective	Effective
11	—	Effective

Tab. 5-83: Settings of parameter 154

Trip during stall prevention operation (Pr. 874)

- The inverter can be set to trip at activation of stall prevention and stalling of the motor.
- When a high load is applied and the stall prevention is activated, the motor stalls. At this time, if the rotation speed is lower than 1.5 Hz and the output torque exceeds the level set in Pr. 874 "OLT level" setting and such a state continues for 3 s, stall prevention stop (E.OLT) is activated and the inverter output is shut off.

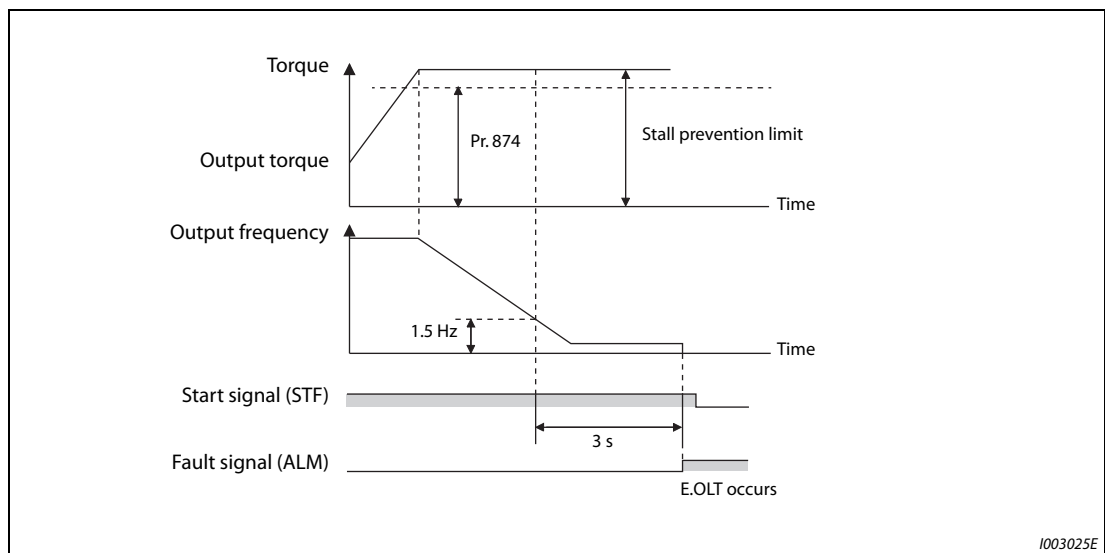


Fig. 5-70: Trip during stall prevention operation

NOTE

Under V/F control or Advanced magnetic flux vector control, if the output frequency drops to 0.5 Hz due to the stall prevention operation and this state continues for 3 s, a fault indication (E.OLT) appears, and the inverter output is shut off. This operation is activated regardless of the Pr. 874 setting.

**CAUTION:**

- ***Do not set the stall prevention operation current too low.
Doing so will reduce the generated torque.***
- ***Be sure to perform a test run.
Stall prevention operation during acceleration may extend the acceleration time.
Stall prevention operation during constant-speed operation may cause sudden speed changes.
Stall prevention operation during deceleration may extend the deceleration time.***

Parameters referred to			
Pr. 73	Analog input selection	=>	page 5-255
Pr. 178 to Pr. 189	(Input terminal function selection)	=>	page 5-285
Pr. 190 to Pr. 196	(Output terminal function selection)	=>	page 5-231
Pr. 858	Terminal 4 function assignment	=>	page 5-260
Pr. 868	Terminal 1 function assignment	=>	page 5-260

5.7.12 Load characteristics fault detection

This function is used to monitor whether the load is operating in normal condition by storing the speed/torque relationship in the inverter to detect mechanical faults or for maintenance. When the load operating condition deviates from the normal range, the protective function is activated or the warning is output to protect the inverter or the motor.

Pr.	Name	Initial value		Setting range	Description
		FM	CA		
1480 H520	Load characteristics measurement mode	0		0	Load characteristics measurement is normally completed.
				1	Load characteristics measurement mode is started.
				2, 3, 4, 5, 81, 82, 83, 84, 85	The load characteristics measurement status is displayed. (Read-only)
1481 H521	Load characteristics load reference 1	9999		0 to 400%	Set the reference value of normal load characteristics. 8888: The present load status is written as reference status. 9999: The load reference is invalid.
1482 H522	Load characteristics load reference 2	9999			
1483 H523	Load characteristics load reference 3	9999			
1484 H524	Load characteristics load reference 4	9999			
1485 H525	Load characteristics load reference 5	9999			
1486 H526	Load characteristics maximum frequency	60 Hz	50 Hz	0 to 590 Hz	Set the maximum frequency of the load characteristics fault detection range.
1487 H527	Load characteristics minimum frequency	6 Hz		0 to 590 Hz	Set the minimum frequency of the load characteristics fault detection range.
1488 H531	Upper limit warning detection width	20%		0 to 400%	Set the detection width when the upper limit load fault warning is output.
				9999	Function disabled
1489 H532	Lower limit warning detection width	20%		0 to 400%	Set the detection width when the lower limit load fault warning is output.
				9999	Function disabled
1490 H533	Upper limit fault detection width	9999		0 to 400%	Set the detection width when output is shut off when the upper limit load fault occurs.
				9999	Function disabled
1491 H534	Lower limit fault detection width	9999		0 to 400%	Set the detection width when output is shut off when the lower limit load fault occurs.
				9999	Function disabled
1492 H535	Load status detection signal delay time / load reference measurement waiting time	1 s		0 to 60 s	Set the waiting time after the load fault is detected until warning output or output shutoff. In the load characteristics measurement mode, set the waiting time after the load measurement frequency is reached until the load reference is set.

Load characteristics setting (Pr. 1481 to Pr. 1487)

- Use Pr. 1481 to Pr. 1485 to set the reference value of load characteristics.
- Use Pr. 1486 "Load characteristics maximum frequency" and Pr. 1487 "Load characteristics minimum frequency" to set the output frequency range for load fault detection.

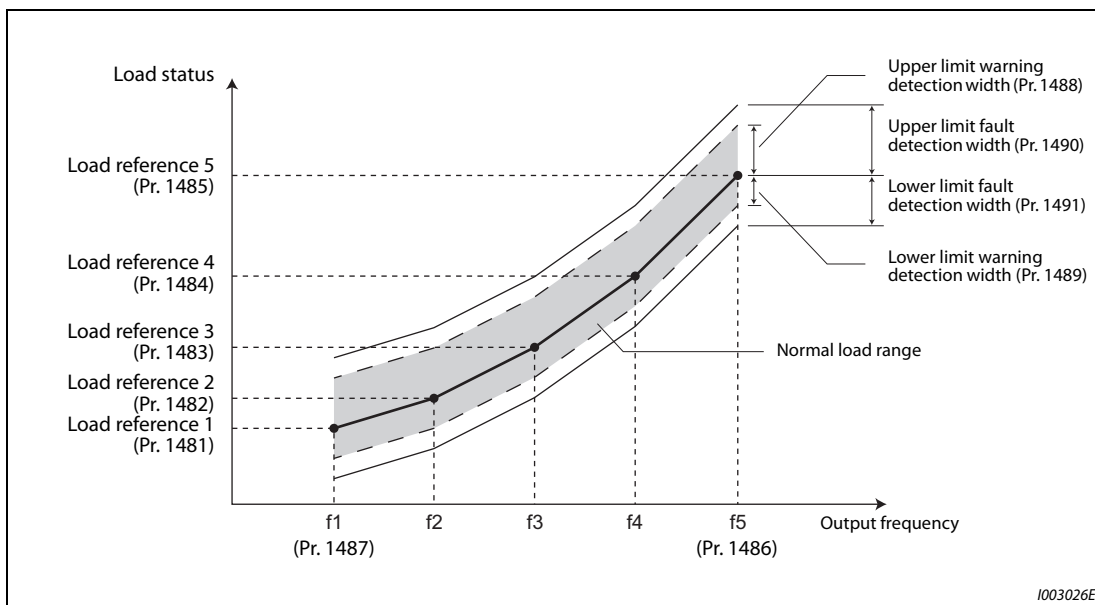


Fig. 5-71: Setting of the load characteristics and output frequency range

Automatic measurement of the load characteristics reference (Load characteristics measurement mode) (Pr. 1480)

NOTES

- Perform measurement under actual environment with the motor connected.
- Set the Pr. 1487 "Load characteristics minimum frequency" higher than the Pr. 13 "Starting frequency".
- Setting Pr. 1480 "Load characteristics measurement mode" = "1" enables automatic measurement of the load characteristics reference. (Load characteristics measurement mode)
- Use Pr. 1486 and Pr. 1487 to set the frequency band for the measurement, and set Pr. 1480 = "1". After setting, when the inverter is started, the measurement starts.
- The automatically measured load characteristics reference is written in Pr. 1481 to Pr. 1485.
- After the measurement is started, read Pr. 1480 to display the status of the measurement. If "8" appears in the tens place, the measurement has not properly completed.

Read value of Pr. 1480		Status
Tens place	Ones place	
—	1	During measurement from the starting point to Point 1
—	2	During measurement from Point 1 to Point 2
—	3	During measurement from Point 2 to Point 3
—	4	During measurement from Point 3 to Point 4

Tab. 5-84: Display of the status of the measurement (Pr. 1480)

Read value of Pr. 1480		Status
Tens place	Ones place	
—	5	During measurement from Point 4 to Point 5
—	0	Normal completion
8	1 to 5	Termination of measurement by an activation of a protective function, inverter reset, turning ON of MRS signal, turning OFF of the start command, or timeout. (The value in the ones place represents the above-mentioned measurement point.)

Tab. 5-84: Display of the status of the measurement (Pr. 1480)

- While measuring automatically, the During load characteristics measurement signal (Y213) is output. For the Y213 signal, assign the function by setting "213 (positive logic)" or "313 (negative logic)" in any of Pr. 190 to Pr. 196 (output terminal function selection).
- Setting "8888" in Pr. 1481 to Pr. 1485 enables fine adjustment of load characteristics. When setting Pr. 1481 to Pr. 1485 = "8888" during operation, the load status at that point is set in the parameter. (Only when the set frequency is within ±2 Hz of the frequency of the measurement point, and SU signal is in the ON state)

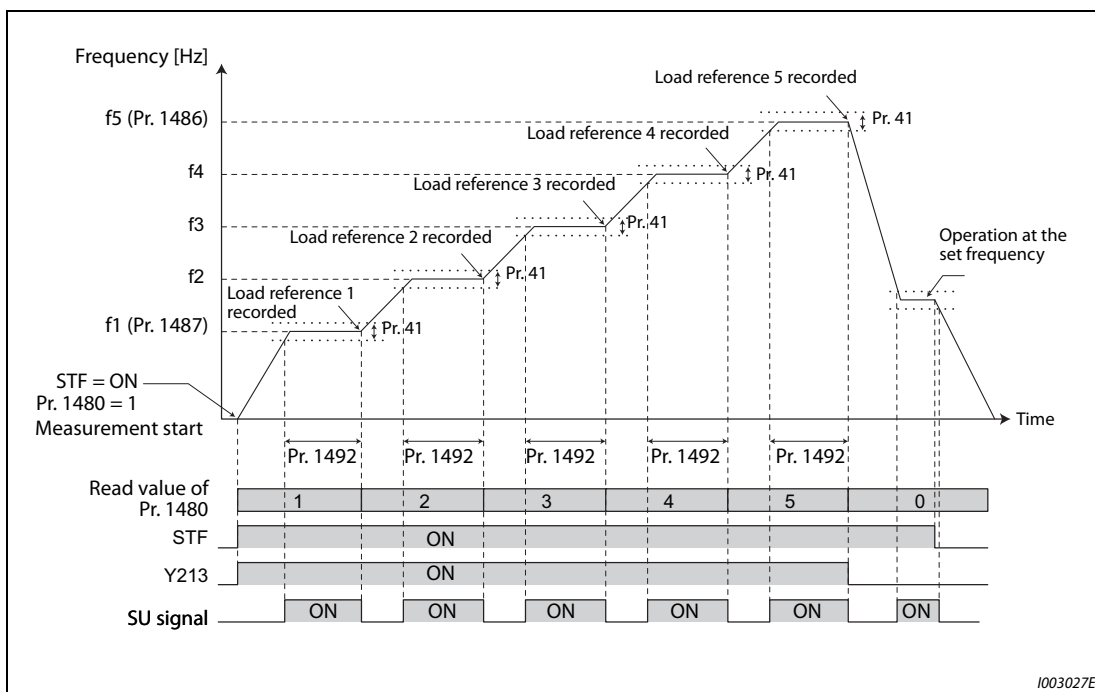


Fig. 5-72: Example of starting measurement from the stop state

NOTES

- Even if the load measurement is not properly completed, the load characteristics fault is detected based on the load characteristics found by the already-completed portion of the measurement.
- During the load characteristics measurement, the load characteristics fault detection is not performed.
- During the load characteristics measurement, linear acceleration/deceleration is performed even if the S-pattern acceleration/deceleration is set.
- Changing the terminal assignment using Pr. 190 to Pr. 196 (output terminal function selection) may affect the other functions. Set parameters after confirming the function of each terminal.

Load fault detection setting (Pr. 1488 to Pr. 1491)

- When the load is deviated from the detection width set in Pr. 1488 "Upper limit warning detection width", Upper limit warning detection signal (LUP) is output. When the load is deviated from the detection width set in Pr. 1489 "Lower limit warning detection width", Lower limit warning detection signal (LDN) is output. At the same time, Load fault warning (LDF) appears on the operation panel.
- For the LUP signal, assign the function by setting "211 (positive logic)" or "311 (negative logic)" in any of Pr. 190 to Pr. 196 (output terminal function selection). For the LDN signal, assign the function by setting "212 (positive logic)" or "312 (negative logic)" in any of Pr. 190 to Pr. 196 (output terminal function selection).
- When the load is deviated from the detection width set in Pr. 1490 "Upper limit fault detection width", the protective function (E.LUP) is activated and the inverter output is shut off. When the load is deviated from the detection width set in Pr. 1491 "Lower limit fault detection width", the protective function (E.LDN) is activated and the inverter output is shut off.
- To prevent the repetitive on/off operation of the signal due to load fluctuation near the detection range, Pr. 1492 "Load status detection signal delay time / load reference measurement waiting time" can be used to set the delay time. Even when a fault is detected out of the detection range once, the warning is not output if the characteristics value returns to the normal range from a fault state within the output delay time.

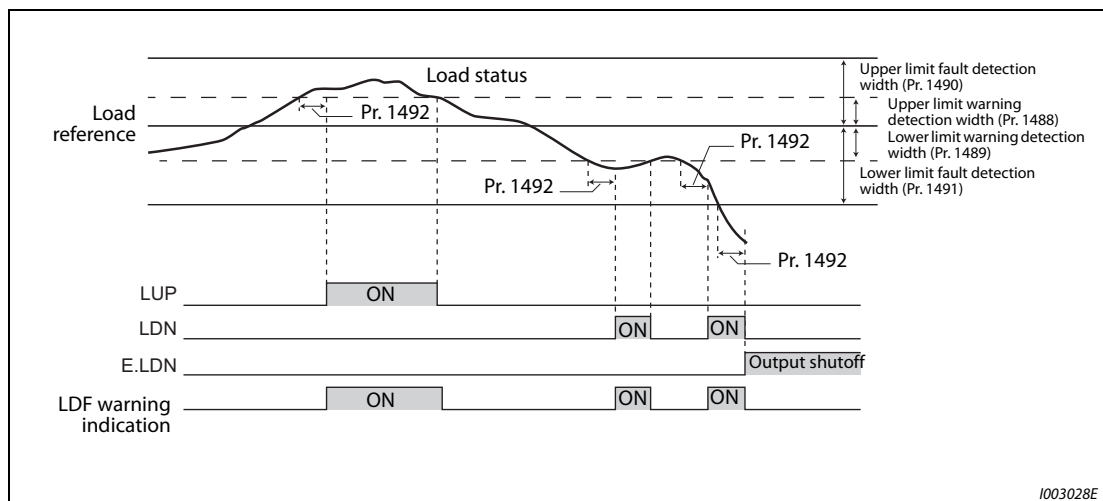


Fig. 5-73: Load status and fault detection

NOTE

Changing the terminal assignment using Pr. 190 to Pr. 196 (output terminal function selection) may affect the other functions. Set parameters after confirming the function of each terminal.

Setting example

- The load characteristics are calculated from the parameter setting and the output frequency.
- A setting example is shown below. The reference value is linearly interpolated from the parameter settings. For example, the reference when the output frequency is 30 Hz is 26%, which is linearly interpolated from values of the reference 2 and the reference 3.

Reference	Frequency	Load reference
Load characteristics reference 1	f1: load characteristics minimum frequency (Pr. 1487) = 10 Hz	Pr. 1481 = 15%
Load characteristics reference 2	$f2 = (f5 - f1)/4 + f1 = 22.5$ Hz	Pr. 1482 = 20%
Load characteristics reference 3	$f3 = (f5 - f1)/2 + f1 = 35$ Hz	Pr. 1483 = 30%
Load characteristics reference 4	$f4 = (f5 - f1) \times 3/4 + f1 = 47.5$ Hz	Pr. 1484 = 60%
Load characteristics reference 5	f5: load characteristics maximum frequency (Pr. 1486) = 60 Hz	Pr. 1485 = 100%

Tab. 5-85: Setting example for load reference

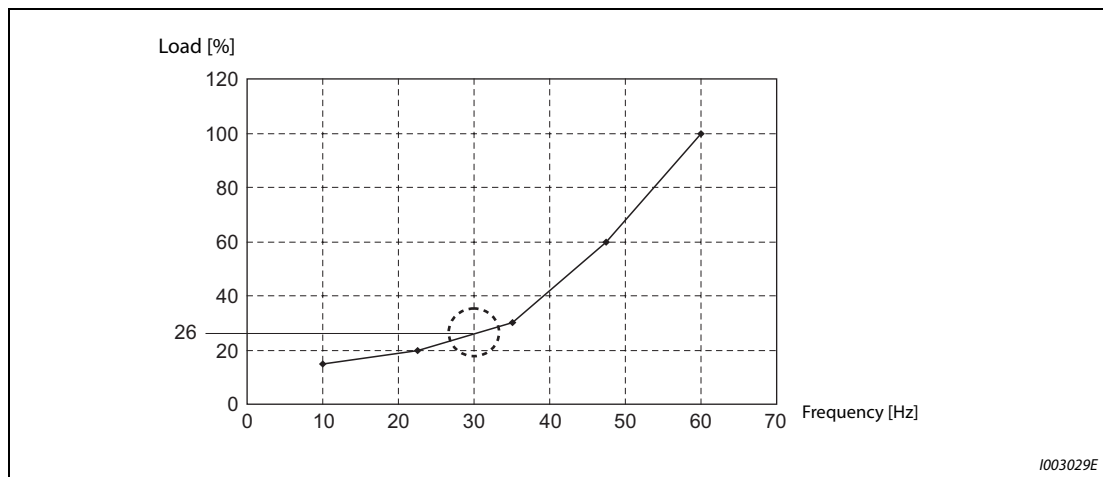


Fig. 5-74: Reference value when the output frequency is 30 Hz

NOTE

When the load reference is not set for five points, the load characteristics value is determined by linear interpolation of the set load reference values only. If there is only one load reference setting, the set load reference is used as the load reference all through the range.

Parameters referred to			
Pr. 41	Up-to-frequency sensitivity	=>	page 5-255
Pr. 190 to Pr. 196	(Output terminal function selection)	=>	page 5-231

5.7.13 Motor overspeeding detection

The Overspeed occurrence (E.OS) is activated when the motor speed exceeds the overspeed detection level. This function prevents the motor from accidentally speeding over the specified value, due to an error in parameter setting, etc.

Pr.	Name	Initial value	Setting range	Description
374 H800	Overspeed detection level	9999	0 to 590 Hz	If the motor rotation speed exceeds the speed set in Pr. 374 during PM motor control, Overspeed occurrence (E.OS) occurs, and the inverter output is shut off.
			9999	During PM motor control, E.OS occurs when the speed exceeds "the motor maximum frequency + 10 Hz" ①

① The maximum motor frequency is set in Pr. 702 "Maximum motor frequency." When Pr. 702 = "9999 (initial value)", the Pr. 84 "Rated motor frequency" setting is applied as the maximum motor frequency.

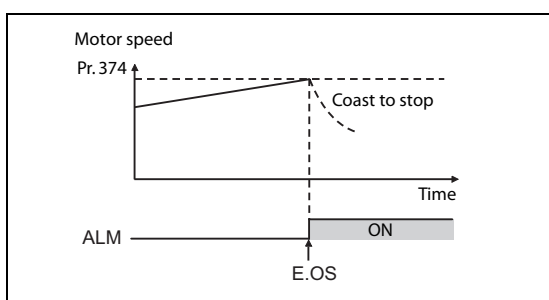


Fig. 5-75:
Overspeed detection level and alarm occurrence

I002601E

5.8 (M) Monitor display and monitor output signal

Purpose	Parameter to set			Refer to page
To display the motor speed. To set by rotations per minute.	Speed display and rotations per minute setting	P.M000 to P.M002	Pr. 37, Pr. 144, Pr. 505	5-196
To change the monitored item on the operation panel and the parameter unit	Operation panel monitored item selection, clearing the cumulative monitor	P.M020 to P.M023, P.M030, P.M031, P.M044, P.M045, P.M050 to P.M052, P.M100 to P.M104	Pr. 52, Pr. 170, Pr. 171, Pr. 268, Pr. 290, Pr. 563, Pr. 564, Pr. 774 to Pr. 776, Pr. 891, Pr. 992, Pr. 1018, Pr.1106 to Pr.1108	5-198
To change the monitored item output from the terminal FM(CA) and AM	Terminal FM(CA) function selection	P.M040 to P.M042, P.M044, P.M300, P.M301, P.D100	Pr. 54, Pr. 55, Pr. 56, Pr. 158, Pr. 290, Pr. 291, Pr. 866	5-211
To adjusting the terminal FM, terminal CA, and AM output	Terminal FM(CA), AM calibration	P.M310, P.M320, P.M321, P.M330 to P.M334	Pr. 867, Pr. 869, C0 (Pr. 900), C1 (Pr. 901), C8 (Pr. 930) to C11 (Pr. 931)	5-218
To check the effects of energy saving	Energy saving monitor	P.M023, P.M100, P.M200 to P.M207, P.M300, P.M301	Pr. 52, Pr. 54, Pr. 158, Pr. 891 to Pr. 899	5-60
To assign functions to the output terminals	Output terminal function assignment	P.M400 to P.M406, P.M410 to P.M412 P.M431	Pr. 190 to Pr. 196, Pr. 289, Pr. 313 to Pr. 315	5-231
To detect the output frequency	Up-to-frequency sensitivity Output frequency detection Low speed detection	P.M440 to P.M444	Pr. 41 to Pr. 43, Pr. 50, Pr. 870	5-240
To detect the output current	Output current detection Zero current detection	P.M460 to P.M464	Pr. 150 to Pr. 153, Pr. 166, Pr. 167	5-244
To detecting the output torque	Output torque detection	P.M470	Pr. 864	5-246
To use the remote output function	Remote output	P.M500 to P.M502	Pr. 495 to Pr. 497	5-247
To use the analog remote output function	Analog remote output	P.M530 to P.M534	Pr. 655 to Pr. 659	5-249
To output the fault code from a terminal	Fault code output function	P.M510	Pr. 76	5-252
To detect the specified output power	Pulse train output of output power	P.M520	Pr. 799	5-253
To detect the control circuit temperature.	Control circuit temperature monitor	P.M060	Pr. 663	5-254

5.8.1 Speed display and rotations per minute setting

The monitor display unit and the frequency setting on the operation panel can be switched to motor speed and machine speed.

Pr.	Name	Initial value		Setting range	Description
		FM	CA		
37 M000	Speed display	0		0	Frequency display and setting
				1 to 9998 ^①	Set the machine speed for Pr. 505.
505 M001	Speed setting reference	60 Hz	50 Hz	1 to 590 Hz	Set the reference speed for Pr. 37.
144 M002	Speed setting switchover	4		0, 2, 4, 6, 8, 10, 12, 102, 104, 106, 108, 110, 112	Set the number of motor poles when displaying the motor speed.

^① The maximum value of the setting range differs according to the Pr. 1 "Maximum frequency", Pr. 505 "Speed setting reference", and it can be calculated from the following formula.

The maximum value of Pr. 37 $65535 \times \text{Pr. 505} / \text{Pr. 1 setting value (Hz)}$.

The maximum setting value of Pr. 37 is 9998 if the result of the above formula exceeds 9998.

Display in speed (Pr. 37, Pr. 144)

- Set the number of motor poles (2, 4, 6, 8, 10, 12) for Pr. 144, or the number of motor poles + 100 (102, 104, 106, 108, 110, 112) to display the motor speed.
- The Pr. 144 setting will change automatically when setting the motor poles with Pr. 81 "Number of motor poles". Pr. 81 will not automatically change when Pr. 144 is changed.
- Example 1: Changing the initial value of Pr. 81 to "2" or "12" will change Pr. 144 from "4" to "2".
- Example 2: When setting Pr. 81 = "2" while Pr. 144 = "104", Pr. 144 will change from "104" to "102".

Display in motor speed (Pr. 37, Pr. 505)

- To display in the machine speed, set Pr. 37 to the machine speed at the frequency set in Pr. 505.

For example, when Pr. 505 = "60 Hz" and Pr. 37 = "1000", the running speed monitor will display "1000" at the running speed of 60 Hz. When running frequency is 30 Hz, "500" is displayed.

Monitor display (setting) increments

- When both Pr. 37 and Pr. 144 have been set, their priorities are as given below.
Pr. 144 = 102 to 112 > Pr. 37 = 1 to 9998 > Pr. 144 = 2 to 12
- The combination of the Pr. 37 and Pr. 144 settings as shown below determines the setting increment for each monitor. (The initial values are shown in grey shaded fields.)

Pr. 37 Setting	Pr. 144 Setting	Output frequency monitor	Set frequency monitor	Running speed monitor	Frequency setting parameter setting
0 (initial value)	0	0.01 Hz	0.01 Hz	1 r/min ①	0.01 Hz
	2 to 12	0.01 Hz	0.01 Hz	1 r/min ①	0.01 Hz
	102 to 112	1 r/min ①	1 r/min ①	1 r/min ①	1 r/min ①
1 to 9998	0	0.01 Hz	0.01 Hz	1 (machine speed ①)	0.01 Hz
	2 to 12	1 (machine speed ①)	1 (machine speed ①)	1 (machine speed ①)	1 (machine speed ①)
	102 to 112	0.01 Hz	0.01 Hz	1 r/min ①	0.01 Hz

Tab. 5-86: Setting range of parameter 37 and 144

- ① Motor speed r/min conversion formula: $\text{Frequency} \times 120 / \text{Number of motor poles (Pr. 144)}$
Machine speed conversion formula: $\text{Pr. 37} \times \text{Frequency} / \text{Pr. 505}$
For Pr. 144 in the above formula, the value is "Pr. 144 - 100" when "102 to 112" is set in Pr. 144; and the value is "4" when Pr. 37 = 0 and Pr. 144 = 0.
Pr. 505 is always set as frequency (Hz).

NOTES

The inverter's output frequency is displayed as synchronous speed under V/F control. The displayed value is "actual motor speed" + "motor slip". When Advanced magnetic flux vector control, or PM motor control is selected, the actual motor speed (estimated value by motor slip calculation) is used.

When Pr. 37 = "0" and Pr. 144 = "0", the running speed monitor is displayed with the number of motor poles 4. (Displays 1800 r/min at 60 Hz)

To change the PU main monitor (PU main display), refer to Pr. 52.

When using the machine speed display for the parameter unit (FR-PU07), do not change the speed with the up/down key if a set speed above 65535 is being displayed. The set speed may become an undetermined value.

When the FR-A8ND option is connected, the frequency display (setting) will be used regardless of the Pr. 37, Pr. 144 settings.

**CAUTION:**

Make sure to set the running speed and the number of motor poles. Otherwise, the motor might run at extremely high speed, damaging the machine.

Parameters referred to			
Pr. 1	Maximum frequency	=>	page 5-176
Pr. 52	Operation panel main monitor selection	=>	page 5-198
Pr. 81	Number of motor poles	=>	page 5-41
Pr. 800	Control method selection	=>	page 5-41

5.8.2 Monitor indicator selection using operation panel or via communication

The monitored item to be displayed on the operation panel or the parameter unit can be selected.

Pr.	Name	Initial value	Setting range	Description
52 M100	Operation panel main monitor selection	0 (output frequency)	0, 5 to 14, 17, 18, 20, 23 to 25, 34, 38, 40 to 45, 50 to 57, 61, 62, 64, 67 to 69, 81 to 96, 98, 100	Select the monitor to be displayed on the operation panel and the parameter unit. Refer to page 5-199 for the monitor description.
774 M101	Operation panel monitor selection 1	9999	1 to 3, 5 to 14, 17, 18, 20, 23 to 25, 34, 38, 40 to 45, 50 to 57, 61, 62, 64, 67 to 69, 81 to 96, 98, 100, 9999	The output frequency, output current and output voltage monitor that are displayed in monitor mode on the operation panel and the parameter unit can be switched to a specified monitor. 9999: Follows the Pr. 52 setting.
775 M102	Operation panel monitor selection 2			
776 M103	Operation panel monitor selection 3			
992 M104	Operation panel setting dial push monitor selection	0 (Set frequency)	0 to 3, 5 to 14, 17, 18, 20, 23 to 25, 34, 38, 40 to 45, 50 to 57, 61, 62, 64, 67 to 69, 81 to 96, 98, 100	Select the monitor to be displayed when the setting dial on the operation panel is pushed.
170 M020	Watt-hour meter clear	9999	0	Set "0" to clear the watt-hour meter monitor.
			10	Set the maximum value for monitoring via communication. Set it in the range of 0 and 9999 kWh.
			9999	Set the maximum value for monitoring via communication. Set it in the range of 0 and 65535 kWh.
563 M021	Energization time carrying-over times	0	(0 to 65535) (Read-only)	Displays the numbers of times that the cumulative energization time monitor exceeded 65535 h. Read-only.
268 M022	Monitor decimal digits selection	9999	0	Displays as integral value.
			1	Displays in 0.1 increments.
			9999	No function
891 M023	Cumulative power monitor digit shifted times	9999	0 to 4	Set the number of times to shift the cumulative power monitor digit. The monitor value is clamped at the maximum value.
			9999	No shift Monitor value is cleared when it exceeds the maximum value.
171 M030	Operation hour meter clear	9999	0	Set "0" to clear the operation hour monitor.
			9999	The read value is always 9999. Nothing happens when "9999" is set.
564 M031	Operating time carrying-over times	0	(0 to 65535) (Read-only)	Displays the numbers of times that the operating time monitor exceeded 65535 h. Read-only.
290 M044	Monitor negative output selection	0	0 to 7	Set the availability of output with a minus sign for the terminal AM, the operation panel display, or monitoring via communication. (Refer to page 5-209.)
1018 M045	Monitor with sign selection	9999	0	Select items to be displayed with minus signs.
			9999	
1106 M050	Torque monitor filter	9999	0 to 5 s	The filter time constant is selectable for monitoring of the torque. A larger setting results in slower response.
			9999	0.3 s filter
1107 M051	Running speed monitor filter	9999	0 to 5 s	The filter time constant is selectable for monitoring of the running speed. A larger setting results in slower response.
			9999	0.08 s filter
1108 M052	Excitation current monitor filter	9999	0 to 5 s	The filter time constant is selectable for monitoring of the motor excitation current. A larger setting results in slower response.
			9999	0.3 s filter

Monitor description list (Pr. 52, Pr. 774 to Pr. 776, Pr. 992)

- Set the monitor to be displayed on the operation panel and the parameter unit in Pr. 52, Pr. 774 to Pr. 776, Pr. 992.
- Refer to the following table and set the monitor to be displayed. (The monitor marked — cannot be selected. "○" in the [Minus (-) display] indicates a display with a minus sign.)

Types of monitor	Unit	Pr. 52, Pr. 774 to Pr. 776, Pr. 992	RS-485 communication dedicated monitor (hexadecimal)	MODBUS® RTU real time monitor	Minus (-) display	Description
Output frequency/speed [Ⓔ]	0.01 Hz/1 [Ⓔ]	1/0/100	H01	40201	○ [Ⓔ]	Displays the inverter output frequency.
Output current [Ⓔ] ⑧ ⑩	0.01 A/ 0.1 A [Ⓔ]	2/0/100	H02	40202		Displays the inverter output current effective value.
Output voltage [Ⓔ] ⑩	0.1 V	3/0/100	H03	40203		Displays the inverter output voltage.
Fault display	—	0/100	—	—		Displays 8 past faults individually.
Frequency setting value/speed setting	0.01 Hz/1 [Ⓔ]	5 ^①	H05	40205		Displays the set frequency
Running speed	1 (r/min)	6 ^①	H06	40206	○ [Ⓔ]	Displays the motor speed (by the Pr. 37, Pr. 144 settings). (Refer to page 5-196)
Motor torque	0.1%	7 ^①	H07	40207	○	Displays motor torque as a percentage (0% under V/F control), considering the rated torque as 100%.
Converter output voltage [Ⓔ]	0.1 V	8 ^①	H08	40208		Displays the DC bus voltage value.
—	—	9	H09	40209		For manufacturer setting. Do not set.
Electronic thermal O/L relay load factor	0.1%	10 ^①	H0A	40210		Displays the motor thermal cumulative value, considering the thermal operation level as 100%.
Output current peak value [Ⓔ]	0.01 A/ 0.1 A [Ⓔ]	11 ^①	H0B	40211		Saves and displays the output current monitor peak value. (Cleared with each start.)
Converter output voltage peak value [Ⓔ]	0.1 V	12 ^①	H0C	40212		Saves and displays the DC bus voltage peak value. (Cleared with each start.)
Input power	0.01 kW/ 0.1 kW [Ⓔ]	13 ^①	H0D	40213		Displays the power at the inverter input side.
Output power [Ⓔ]	0.01 kW/ 0.1 kW [Ⓔ]	14 ^①	H0E	40214		Displays the power at the inverter output side.
Load meter	0.1%	17	H11	40217		Displays torque current as a percentage, considering Pr. 56 setting value as 100%.
Motor excitation current [Ⓔ]	0.01 A/ 0.1 A [Ⓔ]	18	H12	40218		Displays the motor excitation current
Cumulative energization time [Ⓔ]	1 h	20	H14	40220		Displays the cumulative energization time since the inverter shipment. Check how many times the monitor value exceeded 65535 h with Pr. 563.

Tab. 5-87: Monitor description list (1)

Types of monitor	Unit	Pr. 52, Pr. 774 to Pr. 776, Pr. 992	RS-485 communication dedicated monitor (hexadecimal)	MODBUS® RTU real time monitor	Minus (-) display	Description
Actual operation time ②③	1 h	23	H17	40223		Displays the cumulative time since the inverter began running. The number of times the monitor value exceeded 65535 h can be checked with Pr. 564. This can be cleared with Pr. 171. (Refer to page 5-207)
Motor load factor	0.1%	24	H18	40224		Displays the output current value as a percentage, considering the inverter rated current value as 100%. Monitor value = output current monitor value / inverter rated current × 100 [%]
Cumulative power ④	0.01 kWh/ 0.1 kWh ④⑤	25	H19	40225		Displays the cumulative energy based on the output power monitor. This can be cleared with Pr. 170. (Refer to page 5-207.)
Motor output	0.01 kW/ 0.1 kW ⑤	34	H22	40234		Multiplies the output torque at that time with the motor speed, and displays the machine output for the motor shaft end.
Trace status	1	38	H26	40238		Displays the trace status. (Refer to page 5-443)
PLC function user monitor 1	According to the SD1215 setting	40	H28	40240		Displays the arbitrary monitoring item using the PLC function.
PLC function user monitor 2		41	H29	40241		Displays the following special register values.
PLC function user monitor 3		42	H2A	40242		SD1216: Displays in No. 40 SD1217: Displays in No. 41 SD1218: Displays in No. 42 (Refer to the PLC Function Programming Manual.)
Station number (RS-485 terminals)	1	43	H2B	40243		Displays which station number (0 to 31) can currently be used for communication from the RS-485 terminal block.
Station number (PU)	1	44	H2C	40244		Displays which station number (0 to 31) can currently be used for communication from the PU connector.
Station number (CC-Link)	1	45	H2D	40245		Displays which station number (0 to 31) can currently be used for CC-Link communication. Displays "0" when the FR-A8NC is not connected.
Energy saving effect	Changeable by parameter setting.	50	H32	40250		Displays the energy saving effect monitor.
Cumulative energy saving		51	H33	40251		Conversion to power saving, average power saving, price display, and percentage display can be done using parameters. (Refer to page 5-60.)
PID set point	0.1%	52	H34	40252		Displays the set point, measured value, and deviation under PID control. (Refer to page 5-368)
PID measured value	0.1%	53	H35	40253		
PID deviation	0.1%	54	H36	40254	○	
Input terminal status	—	55 ⑦	H0F ⑧	40215 ⑧		Displays input terminal ON/OFF state of the inverter. (Refer to page 5-206 for DU display.)
Output terminal status	—		H10 ⑧	40216 ⑧		Displays output terminal ON/OFF state of the inverter. (Refer to page 5-206 for DU display.)

Tab. 5-87: Monitor description list (2)

Types of monitor	Unit	Pr. 52, Pr. 774 to Pr. 776, Pr. 992	RS-485 communication dedicated monitor (hexadecimal)	MODBUS® RTU real time monitor	Minus (-) display	Description
Option input terminal status ②	—	56	—	—		Displays input terminal ON/OFF state of the digital input option (FR-A8AX) on the DU. (Refer to page 5-206 for details.)
Option output terminal status ②	—	57	—	—		Displays output terminal ON/OFF state of the digital output option (FR-A8AY) and the relay output option (FR-A8AR) on the DU. (Refer to page 5-206 for details.)
Option input terminal status 1 (for communication) ②	—	—	H3A ②	40258 ②		Input terminal X0 to X15 ON/OFF state of the digital input option (FR-A8AX) can be monitored via RS-485 communication and the communication option.
Option input terminal status 2 (for communication) ②	—	—	H3B ③	40259 ③		Input terminal DY ON/OFF state of the digital input option (FR-A8AX) can be monitored via RS-485 communication and the communication option.
Option output terminal status 1 (for communication) ②	—	—	H3C ④	40260 ④		Output terminal ON/OFF state of the digital output option (FR-A8AY) and relay output option (FR-A8AR) can be monitored via RS-485 communication and the communication option.
Motor thermal load factor	0.1%	61	H3D	40261		Displays the accumulated heat value of the motor thermal O/L relay. The motor overload trip (E.THM) occurs at 100%.
Inverter thermal load factor	0.1%	62	H3E	40262		Displays the accumulated heat value of the inverter thermal O/L relay. The inverter overload trip (E.THT) occurs at 100%.
PTC thermistor resistance	0.01 kΩ	64	H40	40264		Displays the PTC thermistor resistance when Pr. 561 "PTC thermistor protection level" ≠ 9999 (voltage monitor when Pr. 561 = 9999).
PID measured value 2	0.1%	67	H43	40267		Displays PID measured value even if PID control operating conditions are not satisfied while the PID control is enabled (Pr.128 ≠ "0"). (Refer to page 5-368)
Emergency drive status ⑦	1	68	H44	40268		Displays the emergency drive status (Refer to page 5-167)
PID input pressure value	0.1%	69	H45	40269		Displays the input pressure value of the PID input pressure control function.
32-bit cumulative power (lower 16 bits)	1 kWh	—	H4D	40277		Displays the 32-bit cumulative power value in multiples of 16 bits. Monitoring can be performed via RS-485 communication and communication options. (To find the monitor codes for each communication option, refer to the Instruction Manual of each communication option.)
32-bit cumulative power (upper 16 bits)	1 kWh	—	H4E	40278		
32-bit cumulative power (lower 16 bits)	0.01 kWh/ 0.1 kWh ⑤	—	H4F	40279		
32-bit cumulative power (upper 16 bits)	0.01 kWh/ 0.1 kWh ⑤	—	H50	40280		

Tab. 5-87: Monitor description list (3)

Types of monitor	Unit	Pr. 52, Pr. 774 to Pr. 776, Pr. 992	RS-485 communication dedicated monitor (hexadecimal)	MODBUS® RTU real time monitor	Minus (-) display	Description
BACnet reception status	1	81	H51	40281		Displays the BACnet reception status.
BACnet token pass counter	1	82	H52	40282		Displays the count of received token.
BACnet valid APDU counter	1	83	H53	40283		Displays the count of valid APDU detection.
BACnet communication error counter	1	84	H54	40284		Displays the count of communication error detection.
BACnet terminal FM/CA output level	0.1%	85	H55	40285		Displays the value set in the Analog Output object (ID = 0: Terminal FM/CA) for BACnet communication.
BACnet terminal AM output level	0.1%	86	H56	40286	○	Displays the value set in the Analog Output object (ID = 1: Terminal AM) for BACnet communication. (A display without signs displays negative values as absolute values.)
Remote output value 1	0.1%	87	H57	40287	○	Displays the setting values of Pr. 656 to Pr. 659 (analog remote output). (Refer to page 5-249.)
Remote output value 2	0.1%	88	H58	40288		
Remote output value 3	0.1%	89	H59	40289		
Remote output value 4	0.1%	90	H5A	40290		
PID manipulated variable	0.1%	91	H5B	40291	○	Displays the PID control manipulated amount. (Refer to page 5-368)
Second PID set point	0.1%	92	H5C	40292		Displays the set point, measured value, and deviation under second PID control. (Refer to page 5-368)
Second PID measured value	0.1%	93	H5D	40293		
Second PID deviation	0.1%	94	H5E	40294	○	
Second PID measured value 2	0.1%	95	H5F	40295		Displays PID measured value even if PID control operating conditions are not satisfied while the PID control is enabled (Pr.753 ≠ "0"). (Refer to page 5-368)
Second PID manipulated variable	0.1%	96	H60	40296	○	Displays the second PID control manipulated amount. (Refer to page 5-368)
Control circuit temperature	1 °C	98	H62	40298	○	Displays the temperature of the control circuit board. Without minus sign: 0 to 100 °C With minus sign: -20 to 100 °C

Tab. 5-87: Monitor description list (4)

- ① When using the monitor item as the main monitor data on the LCD operation panel (FR-LU08) or the parameter unit (FR-PU07), use Pr.774 to Pr.776 or the monitor function of the FR-LU08 or the FR-PU07 for setting.
- ② The cumulative energization time and actual operation time are accumulated from 0 to 65535 hours, then cleared, and accumulated again from 0.
- ③ The actual operation time does not increase if the cumulative running time before power OFF is less than an hour.
- ④ When using the parameter unit (FR-PU07), "kW" is displayed.
- ⑤ Differs according to capacities. (FR-F820-02330(55K) or lower, FR-F840-01160(55K) or lower / FR-F820-03160(75K) or higher, FR-F840-01800(75K) or higher)

- ⑥ Since the voltage and current display on the operation panel (FR-DU08) is shown in four digits, a monitor value of more than "9999" is displayed as "—".
- ⑦ The setting is available only for standard models.
- ⑧ When the output current is less than the specified current level (5% of the inverter rated current), the output current is monitored as 0 A. Therefore, the monitored value of an output current and output power may be displayed as "0" when using a much smaller-capacity motor compared to the inverter or in other instances that cause the output current to fall below the specified value.
- ⑨ Available when the plug-in option is connected.
- ⑩ Input terminal monitor details ("1" denotes terminal ON, "0" denotes terminal OFF, and "—" denotes undetermined value.)

b15														b0	
—	—	—	—	CS	RES	STP (STOP)	MRS	JOG	RH	RM	RL	RT	AU	STR	STF

- ⑪ Output terminal monitor details ("1" denotes terminal ON, "0" denotes terminal OFF, and "—" denotes undetermined value.)

b15														b0	
—	—	—	—	—	—	—	—	SO	ABC2	ABC1	FU	OL	IPF	SU	RUN

- ⑫ Option input terminal monitor 1 details (FR-A8AX input terminal status, "1" denotes terminal ON and "0" denotes terminal OFF.)
All are OFF when the option is not connected.

b15														b0	
X15	X14	X13	X12	X11	X10	X9	X8	X7	X6	X5	X4	X3	X2	X1	X0

- ⑬ Option input terminal monitor 2 details (FR-A8AX input terminal status. "1" denotes terminal ON, "0" denotes terminal OFF, "—" denotes undetermined value.)
All are OFF when the option is not connected.

b15														b0	
—	—	—	—	—	—	—	—	—	—	—	—	—	—	—	DY

- ⑭ Option output terminal monitor details (FR-A8AY/A8AR output terminal status. "1" denotes terminal ON, "0" denotes terminal OFF, and "—" denotes undetermined value.)
All are OFF when the option is not connected.

b15														b0	
—	—	—	—	—	—	RA3	RA2	RA1	Y6	Y5	Y4	Y3	Y2	Y1	Y0

- ⑮ The increment is 1 when Pr. 37 = "1 to 9998" or when Pr. 144 = "2 to 12" or "102 to 112". (Refer to page 5-196.)
- ⑯ The monitored values are retained even if an inverter fault occurs. Resetting will clear the retained values.
- ⑰ Parameter setting is not available for setting the monitor item as the main monitor data on the LCD operation panel (FR-LU08) or the parameter unit (FR-PU07). Use the monitor function of the FR-LU08 or the FR-PU07 for setting.
- ⑱ Setting of Pr. 1018 "Monitor with sign selection" is required. Besides, displayed without minus sign on the operation panel. Confirm the rotation direction with the [FWD] or [REV] indicator.

Monitor display for operation panel (Pr. 52, Pr. 774 to Pr. 776)

- When Pr. 52 = "0" (initial value), the monitoring of output frequency, output current, output voltage and fault display can be selected in sequence by pressing the SET key.
- The Load meter, Motor excitation current and Motor load factor are displayed on the second monitor (output current) position, among the monitors set in Pr. 52. Other monitors are displayed in the third monitor (output voltage) position.
- The monitor displayed at power ON is the first monitor (the output frequency monitor, according to the initial value). Display the monitor that will be the first monitor, and continue pressing the SET key for 1 s. (To return to the output frequency monitor, display the output frequency monitor and press SET key for 1 s.)

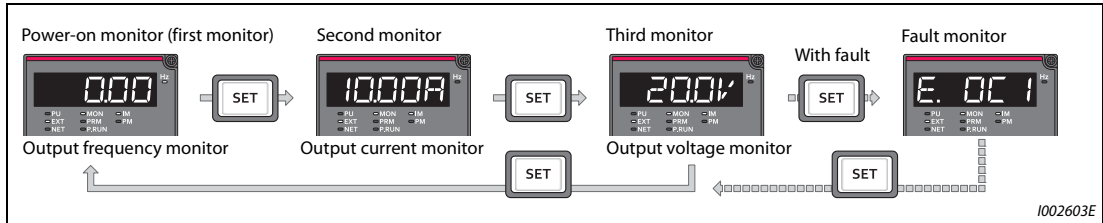


Fig. 5-76: Displaying various types of monitor

- For example, when Pr. 52 = "20" (cumulative energization time), the monitor is displayed on the operation panel as shown below.

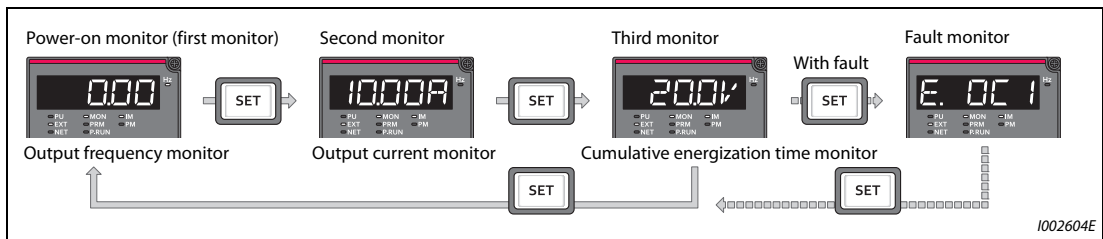


Fig. 5-77: Selection of the third monitor

- Pr. 774 sets the output frequency monitor, Pr. 775 sets the output current monitor, and Pr. 776 sets the monitor description to be displayed at the output voltage monitor position. When Pr. 774 to Pr. 776 = "9999" (initial value), the Pr. 52 setting value is used.

NOTE

On the operation panel (FR-DU08), the "Hz" unit indicator is lit while displaying the output frequency, the "Hz" flickers when displaying the set frequency.

Displaying the set frequency during stop (Pr. 52)

When Pr. 52 = "100", the set frequency is displayed during stop, and output frequency is displayed during running. (LED of Hz flickers during stop and is lit during operation.)

Pr. 52 setting	Status	Output frequency	Output current	Output voltage	Fault or alarm indication
0	During running/ stop	Output frequency	Output current	Output voltage	Fault or alarm indication
100	During stop	Set frequency ^①			
	Running	Output frequency			

Tab. 5-88: Display during running and stop

^① Displays the frequency that is output when the start command is ON. The value considers the maximum/minimum frequency and frequency jumps. It is different from the frequency setting displayed when Pr. 52 = "5".

NOTES

During an error, the output frequency at error occurrence appears.

During output shutoff by the MRS signal, the values displayed are the same as during a stop.

During offline auto tuning, the tuning state monitor takes priority.

Operation panel setting dial push display (Pr. 992)

- Use Pr. 992 to select the monitor that appears when the setting dial on the operation panel (FR-DU08) is pushed.
- When Pr. 992 = "0 (initial value)", keep pressing the setting dial when in PU operation mode or External/PU combined operation mode 1 (Pr. 79 "Operation mode selection" = "3") to show the presently set frequency.
- When Pr. 992 = "100", the set frequency is displayed during stop, and output frequency is displayed during running.

Pr. 992 setting	Status	Monitor displayed by the setting dial push
0	During running/stop	Set frequency (PU direct-in frequency)
100	During stop	Set frequency ^①
	Running	Output frequency

Tab. 5-89: Display, when the setting dial is pushed

^① Displays the frequency that is output when the start command is ON. The value considers the maximum/minimum frequency and frequency jumps. It is different from the frequency setting displayed when Pr. 992 = "5".

Operation panel (FR-DU08) I/O terminal monitor (Pr. 52)

- When Pr. 52 = "55 to 57", the I/O terminal state can be monitored on the operation panel (FR-DU08).
- The output terminal monitor is displayed on the third monitor.
- The LED is ON when the terminal is ON, and the LED is OFF when the terminal is OFF. The center line of LED is always ON.

Pr. 52 setting	Monitor description
55	Displays the I/O terminal ON/OFF state of the inverter.
56 ①	Displays input terminal ON/OFF state of the digital input option (FR-A8AX)
57 ①	Displays output terminal ON/OFF state of the digital output option (FR-A8AY) or the relay output option (FR-A8AR).

Tab. 5-90: I/O terminal monitor

- ① The setting values "56, 57" can be set even if the option is not installed. All are OFF when the option is not connected.
- On the I/O terminal monitor (Pr. 52 = "55"), the upper LEDs denote the input terminal state, and the lower LEDs denote the output terminal state.

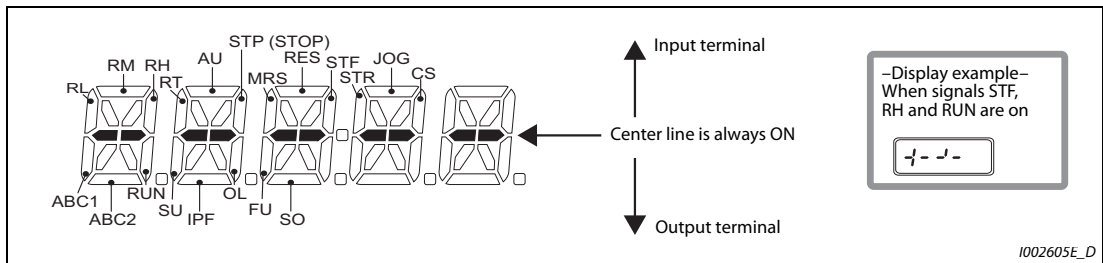


Fig. 5-78: Displaying the signal states of the I/O terminals

- The decimal point of the first digit on the LED will light for the input option terminal monitor (Pr. 52 = "56").

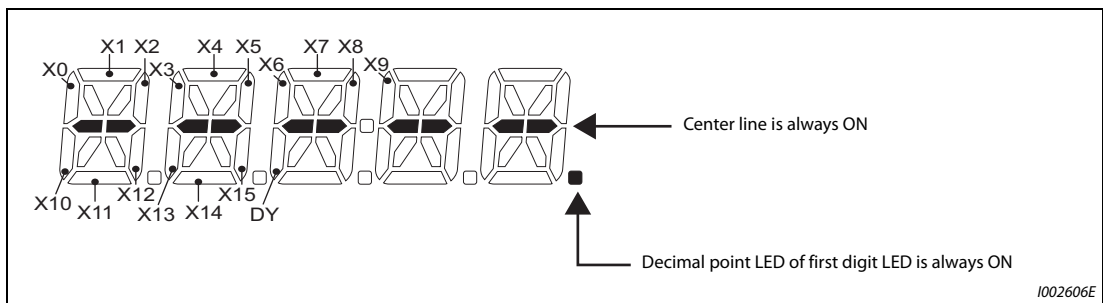


Fig. 5-79: Displaying the signal states when the input option is mounted

- The decimal point of the second digit on the LED will light for the output option terminal monitor (Pr. 52 = "57").

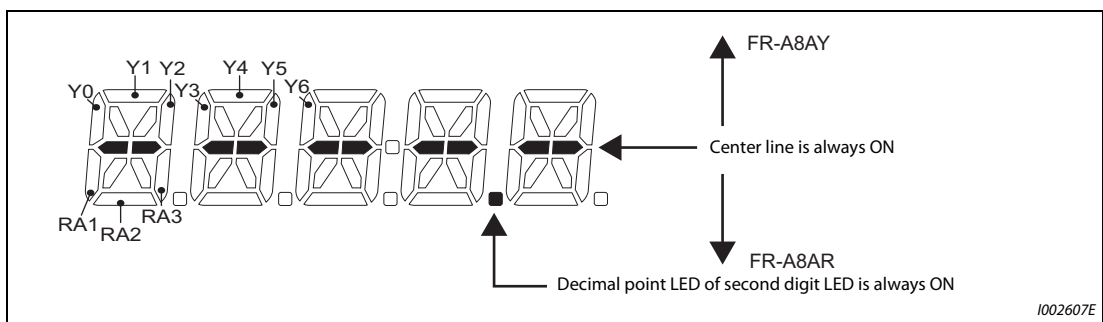


Fig. 5-80: Displaying the signal states when the output option is mounted

Cumulative power monitor and clear (Pr. 170, Pr. 891)

- On the cumulative power monitor (Pr. 52 = "25"), the output power monitor value is added up and updated in 100 ms increments. (The values are saved in EEPROM every hour.)
- Display increments and display ranges of the operation panel, parameter unit and communication (RS-485 communication, communication option) are as indicated below.

Operation panel, parameter unit ^①		Communication		
Range	Unit	Range		Unit
		Pr. 170 = 10	Pr. 170 = 9999	
0 to 999.99 kWh	0.01 kWh	0 to 9999 kWh	0 to 65535 kWh (initial value)	1 kWh
1000.0 to 9999.9 kWh	0.1 kWh			
10000 to 99999 kWh	1 kWh			

Tab. 5-91: Units and range of the cumulative energizing monitor

- ① Power is measured in the range of 0 to 99999.99 kWh, and displayed in five digits. When the monitor value exceeds "999.99", a carry occurs, for example "1000.0", so the value is displayed in 0.1 kWh increments.
- The monitor data digit can be shifted to the right by the number of Pr. 891. For example, if the cumulative power value is 1278.56 kWh when Pr. 891 = "2", the operation panel display is 12.78 (display in 100 kWh increments) and the communication data is 12.
 - If the maximum value is exceeded at Pr. 891 = "0 to 4", the monitor value is clamped at the maximum value, indicating that a digit shift is necessary. If the maximum value is exceeded at Pr. 891 = "9999", the monitor value returns to 0, and the counting starts again.
 - Writing "0" in Pr. 170 clears the cumulative power monitor.

NOTE

If "0" is written to Pr. 170, and Pr. 170 is read again, "9999" or "10" is displayed.

Cumulative energization time and actual operation time monitor (Pr. 171, Pr. 563, Pr. 564)

- Cumulative energization time monitor (Pr. 52 = "20") accumulates energization time from shipment of the inverter every one hour.
- On the actual operation time monitor (Pr. 52 = "23"), the inverter running time is added up every hour. (Time is not added up during a stop.)
- If the number of monitor value exceeds 65535, it is added up from 0. Pr. 563 allows the user to check how many times the cumulative energization time monitor has exceeded 65535h. Pr. 564 allows the use to check how many times the actual operation time monitor has exceeded 65535h.
- Writing "0" in Pr. 171 clears the actual operation time monitor. (The cumulative energization time monitor cannot be cleared.)

NOTES

The cumulative energization time does not increase if the power is turned OFF after less than an hour.

The actual operation time does not increase if the cumulative running time before power OFF is less than an hour.

If "0" is written to Pr. 171 and Pr. 171 is read again, "9999" is always displayed. Setting "9999" does not clear the actual operation time meter.

Hiding the decimal places for the monitors (Pr. 268)

The numerical figures after a decimal point displayed on the operation panel may fluctuate during analog input, etc. The decimal places can be hidden by selecting the decimal digits with Pr. 268.

Pr. 268 setting	Description
9999 (initial value)	No function
0	For the first or second decimal places (0.1 increments or 0.01 increments) of the monitor, numbers in the first decimal place and smaller are rounded to display an integral value (1 increments). The monitor value equal to or smaller than 0.99 is displayed as 0.
1	When monitoring with the second decimal place (0.01 increments), the 0.01 decimal place is dropped and the monitor displays the first decimal place (0.1 increments). When monitoring with the first decimal place, the display will not change.

Tab. 5-92: Selection of decimal digits

NOTE

The number of display digits on the cumulative energization time (Pr. 52 = "20"), actual operation time (Pr. 52 = "23"), cumulative power (Pr. 52 = "25") and cumulative energy saving (Pr. 52 = "51") does not change.

Minus sign display for the monitors (Pr. 290)

- A negative output can be selected for the monitor display of the terminal AM (analog voltage output), the operation panel, and a communication option. For a list of the monitors that can output values with minus signs, refer to the monitor description list (on page 5-199).

Pr. 290 setting	Terminal AM output	Operation panel display	Negative indication on communication options
0 (initial value)	—	—	—
1	Output with a minus sign	—	—
2	—	Displayed with minus sign	—
3	Output with a minus sign	Displayed with minus sign	—
4	—	—	Output with a minus sign
5	Output with a minus sign	—	Output with a minus sign
6	—	Output with a minus sign	Output with a minus sign
7	Output with a minus sign	Output with a minus sign	Output with a minus sign

—: Output without minus sign (positive values only)

Tab. 5-93: *Minus sign display for the monitors*

- Select items to be displayed with minus signs using Pr. 1018 "Monitor with sign selection".

Types of monitor	Pr. 1018 setting		Types of monitor	Pr. 1018 setting	
	9999	0		9999	0
Output frequency	—	○ ^①	Remote output 3	○	○
Running speed	—	○ ^①	Remote output 4	○	○
Motor torque	○	○	PID manipulated amount	○	○
PID deviation	○	○	Second PID deviation	○	○
BACnet terminal AM output level	○	○	Second PID manipulated amount	○	○
Remote output 1	○	○	Control circuit temperature	○	○
Remote output 2	○	○			

○: Displayed with minus sign,
—: Displayed without minus sign (positive only)

Tab. 5-94: *Minus sign display using Pr. 1018*

- ^① Displayed without minus sign on the operation panel. Confirm the rotation direction with the [FWD] or [REV] indicator.

NOTES

When terminal AM (analog voltage output) is "output with a minus sign", the output will be within the -10 V DC to +10 V DC range. Connect the meter with which output level is matched.

Parameter unit (FR-PU07) displays only positive values.

Monitor filter (Pr. 1106 to Pr. 1108)

The response level (filter time constant) of the following monitor indicators can be adjusted.

Pr.	Monitor number	Monitor indicator name
1106	7	Motor torque
	17	Load meter
	32	Torque command
	33	Torque current command
1107	6	Running speed
1108	18	Motor excitation current

Tab. 5-95: Monitor filter

Parameters referred to			
Pr. 30	Regenerative function selection	=>	page 5-552
Pr. 37	Motor speed display	=>	page 5-196
Pr. 144	Speed setting switchover	=>	page 5-196
Pr. 55	Frequency monitoring reference	=>	page 5-211
Pr. 56	Current monitoring reference	=>	page 5-211
Pr. 866	Torque monitoring reference	=>	page 5-211

5.8.3 Monitor display selection for terminals FM/CA and AM

The monitored statuses can be output as the following items: analog voltage (terminal AM), pulse train (terminal FM) for the FM-type inverter, analog current (terminal CA) for the CA-type inverter.

The signal (monitored item) to be output to terminal FM/CA and terminal AM can be selected.

Pr.	Name	Initial value		Setting range	Description	
		FM	CA			
54 M300	FM/CA terminal function selection	1 (output frequency)		1 to 3, 5 to 14, 17, 18, 21, 24, 34, 50, 52, 53, 61, 62, 67, 69, 70, 85, 87 to 90, 92, 93, 95, 98	Select the monitored item to be output to the terminal FM and terminal CA.	
158 M301	AM terminal function selection			1 to 3, 5 to 14, 17, 18, 21, 24, 34, 50, 52 to 54, 61, 62, 67, 69, 70, 86 to 96, 98	Select the monitored item to be output to the terminal AM.	
55 M040	Frequency monitoring reference	60 Hz	50 Hz	0 to 590 Hz	Set the full-scale value when outputting the frequency monitor value to terminals FM, CA and AM.	
56 M041	Current monitoring reference	Inverter Rated current		0 to 500 A ①	Set the full-scale value when outputting the output current monitor value to terminals FM, CA and AM.	
				0 to 3600 A ②		
866 M042	Torque monitoring reference	150%		0 to 400%	Set the full-scale value when outputting the torque monitor value to terminals FM, CA and AM.	
290 M044	Monitor negative output selection	0		0 to 7	Set the availability of output with a minus sign for the terminal AM, the operation panel display, or monitoring via communication. (Refer to page 5-209.)	
291 D100	Pulse train I/O selection	0			Pulse train input (terminal JOG)	Pulse train output (terminal FM)
				0	JOG signal ③	FM output ④
				1	Pulse train input	FM output ④
				10 ④	JOG signal ③	High-speed pulse train output (50% duty)
				11 ④	Pulse train input	High-speed pulse train output (50% duty)
				20 ④	JOG signal ③	High-speed pulse train output (ON width fixed)
				21 ④	Pulse train input	High-speed pulse train output (ON width fixed)
100 ④	Pulse train input	High-speed pulse train output (ON width fixed) Output the pulse train input without changes.				

① FR-F820-02330(55K) or lower, FR-F840-01160(55K) or lower.

② FR-F820-03160(75K) or more, FR-F840-01800(75K) or more.

③ Function assigned to Pr. 185 "JOG terminal function selection".

④ Valid only for the FM type inverters.

Monitor description list (Pr. 54, Pr. 158)

- Set Pr. 54 "FM/CA terminal function selection" for the monitor to be output to the terminal FM (pulse train output) and terminal CA (analog current output).
- Set Pr. 158 "AM terminal function selection" for the monitor to be output to the terminal AM (analog voltage output). Output with a negative sign can be made (-10 V DC to +10 V DC) from the terminal AM. "○" in the [Negative (-) output] indicates the output value is negative at the terminal AM. (For setting of the output with/without minus sign, refer to page 5-211.)
- Refer to the following table and set the monitor to be displayed. (Refer to page 5-199 for the monitor description.)

Types of monitor	Unit	Pr. 54 (FM/CA) Pr. 158 (AM) setting	Terminal FM, CA, AM Full-scale value	Negative (-) output	Remarks
Output frequency	0.01 Hz	1	Pr. 55	○ ^③	
Output current ^②	0.01 A/0.1 A ^①	2	Pr. 56		
Output voltage	0.1 V	3	200 V class: 400 V 400 V class: 800 V		
Frequency setting value	0.01 Hz	5	Pr. 55		
Running speed	1 (r/min)	6	Value is Pr. 55 converted by Pr. 37, Pr. 144. (Refer to page 5-196.)	○ ^③	Refer to page 5-196 for the running speed monitor.
Motor torque	0.1%	7	Pr. 866	○	
Converter output voltage ^②	0.1 V	8	200 V class: 400 V 400 V class: 800 V		
—	—	9	—		For manufacturer setting. Do not set.
Electronic thermal O/L relay load factor	0.1%	10	Electronic thermal O/L relay operation level (100%)		
Output current peak value	0.01 A/0.1 A ^①	11	Pr. 56		
Converter output voltage peak value	0.1 V	12	200 V class: 400 V 400 V class: 800 V		
Input power	0.01 kW/ 0.1 kW ^①	13	Rated inverter power × 2		
Output power ^②	0.01 kW/ 0.1 kW ^①	14	Rated inverter power × 2		
Load meter	0.1%	17	Pr. 866		
Motor excitation current	0.0 1 A/ 0.1 A ^①	18	Pr. 56		
Reference voltage output	—	21	—		Terminal FM: 1440 pulses/s is output when Pr. 291 = 0,1. 50 k pulses/s is output when Pr. 291 ≠ 0,1. Terminal CA: output is 20 mA Terminal AM: output is 10 V.
Motor load factor	0.1%	24	200%		
Motor output	0.01 kW/ 0.1 kW ^①	34	Rated motor capacity		
Energy saving effect	Changeable by parameter setting	50	Inverter capacity		Regarding the energy saving monitor, refer to page 5-60

Tab. 5-96: Monitor description list (1)

Types of monitor	Unit	Pr. 54 (FM/CA) Pr. 158 (AM) setting	Terminal FM, CA, AM Full-scale value	Negative (-) output	Remarks
PID set point	0.1%	52	100%		Refer to page 5-368 for the PID control.
PID measured value	0.1%	53	100%		
PID deviation	0.1%	54 ^④	100%	○	
Motor thermal load factor	0.1%	61	Motor thermal operation level (100%)		
Inverter thermal load factor	0.1%	62	Inverter thermal operation level (100%)		
PID measured value 2	0.1%	67	100%		Refer to page 5-368 for the PID control.
PID input pressure value	0.1%	69	100%		Displays the input pressure value of the PID input pressure control function.
PLC function analog output	0.1%	70	100%	○	Refer to page 5-439 for the PLC function.
BACnet terminal FM/CA output level	0.1%	85 ^⑤	100%		The value set in the Analog Output object (ID = 0: Terminal FM/CA) for BACnet communication is output.
BACnet terminal AM output level	0.1%	86 ^④	100%	○	The value set in the Analog Output object (ID = 1: Terminal AM) for BACnet communication is output. (The output is always negative regardless of the Pr.290 setting when the monitored value is negative.)
Remote output value 1	0.1%	87	1000%	○	Refer to page 5-249 for the analog remote output.
Remote output value 2	0.1%	88	1000%		
Remote output value 3	0.1%	89	1000%		
Remote output value 4	0.1%	90	1000%		
PID manipulated variable	0.1%	91 ^④	100%	○	Output with a minus sign (terminal AM)
Second PID set point	0.1%	92	100%		Refer to page 5-368 for the PID control.
Second PID measured value	0.1%	93	100%		
Second PID deviation	0.1%	94 ^④	200%	○	
Second PID measured value 2	0.1%	95	100%		
Second PID manipulated variable	0.1%	96 ^④	100%	○	
Control circuit temperature	1 °C	98	100 °C	○	Terminal FM/CA: 0 to 100°C Terminal AM: -20 to 100°C

Tab. 5-96: Monitor description list (2)

- ① Differs according to capacities. (FR-F820-02330(55K) or lower, FR-F840-01160(55K) or lower/FR-F820-03160(75K) or higher, FR-F840-01800(75K) or higher)
- ② When the output current is less than the specified current level (5% of the inverter rated current), the output current is monitored as 0 A. Therefore, the monitored value of an output current and output power may be displayed as "0" when using a much smaller-capacity motor compared to the inverter or in other instances that cause the output current to fall below the specified value.
- ③ Setting of Pr. 1018 "Monitor with sign selection" is required.
- ④ The setting is available only with terminal AM (Pr. 158).
- ⑤ The setting is available only with terminal FM/CA (Pr. 54).

Frequency monitor reference (Pr. 55)

- Set the full-scale value for outputting the monitored items of output frequency, frequency setting value to the terminals FM, CA and AM.
- For the FM-type inverters, set the full-scale value of the connected meter when the pulse speed of terminal FM is 1440 pulses/s (50k pulses/s). Set the frequency to be indicated as the full scale value on the frequency meter (1 mA analog meter) connected between terminal FM and SD. (For example, 60 Hz or 120 Hz.) Pulse speed is proportional to the output frequency of the inverter. (Maximum pulse train output is 2400 pulses/s (55k pulses/s).)

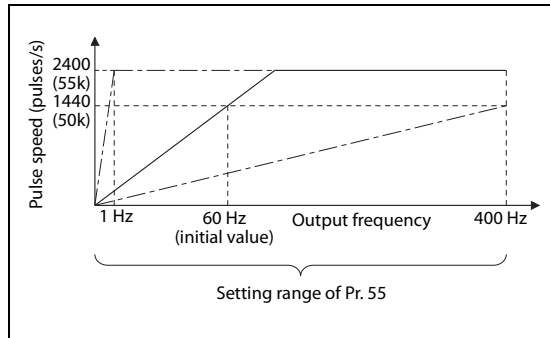


Fig. 5-81:
Frequency monitoring reference for terminal FM

1002608E

- For the CA-type inverters, set the full-scale value of the connected meter when output current of terminal CA is 20 mA. Set the frequency to be indicated as the full scale value on the meter (20 mA DC ammeter connected between terminal CA and 5; for example, 60 Hz or 120 Hz). Output current is proportional to the frequency. (The maximum output current is 20 mA DC.)

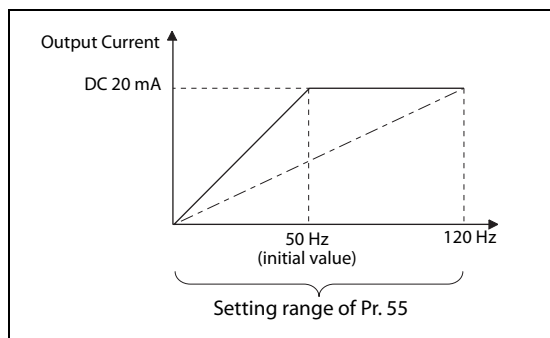


Fig. 5-82:
Frequency monitoring reference for terminal CA

1002609E

- For the calibration of terminal AM, set the full-scale value of the connected meter when output voltage of terminal FM is 10 V DC. Set the frequency to be indicated as the full scale value on the meter (10 V DC voltmeter) connected between terminal AM and 5. (For example, 60 Hz or 120 Hz) Output voltage is proportional to the frequency. (The maximum output voltage is 10 V DC.)

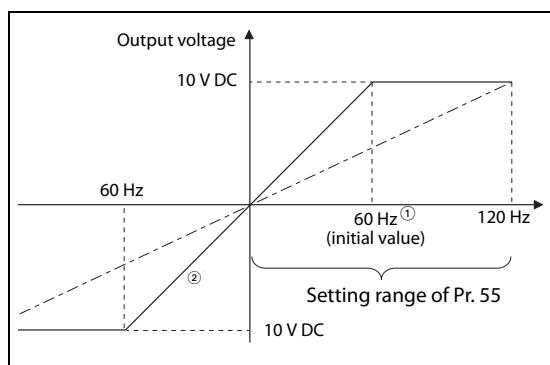


Fig. 5-83:
Frequency monitoring reference for terminal AM

1002610E

① FM type: 60 Hz; CA type: 50 Hz

② Output with a negative sign available when Pr. 290 "Monitor negative output selection" = "1, 3"

Current monitor reference (Pr. 56)

- Output current, Output current peak value, Motor excitation current and monitor from the terminals FM, CA and AM.
- For the FM-type inverters, set the full-scale value of the connected meter when the pulse speed of terminal FM is 1440 pulses/s (50k pulses/s).
Set the current to be indicated as the full scale value to the meter (1 mA analog meter) connected between terminal FM and SD.
Pulse speed is proportional to the monitored value of output current. (Maximum pulse train output is 2400 pulses/s (55k pulses/s).)
- For the CA-type inverters, set the full-scale value of the connected current meter when output current of terminals CA is 20 mA. Set the current to be indicated as the full scale value on the meter (20 mA DC ammeter) connected between terminals CA and 5. Output current is proportional to the monitored value of output current. (The maximum output current is 20 mA DC.)
- For the calibration of terminal AM, set the full-scale value of the connected current meter when the output voltage of terminal AM is 10 V DC.
Set the current to be indicated as the full scale value on the meter (10 V DC voltmeter) connected between terminal AM and 5.
Output voltage is proportional to the monitored value of output current.
(The maximum output voltage is 10 V DC.)

Torque monitor reference (Pr. 866)

- Set the full scale value when outputting the current monitor from terminal the FM, CA or AM.
- For the FM-type inverters, set the full-scale value of the connected torque meter when the pulse speed of terminal FM is 1440 pulses/s (50k pulses/s). Set the torque to be indicated as the full scale value on the meter (1 mA analog meter) connected between terminals FM and SD.
Pulse speed is proportional to the monitored value of torque. (Maximum pulse train output is 2400 pulses/s (55k pulses/s).)
- For the CA-type inverters, set the full-scale value of the connected torque meter when output current of the terminal CA is 20 mA DC.
Set the torque to be indicated as the full scale value on the meter (20 mA DC ammeter) connected between terminals CA and 5.
Output current is proportional to the monitored value of torque. (The maximum output voltage is 20 mA DC.)
- For the calibration of terminal AM, set the full-scale value of the connected torque meter when the output voltage of terminal AM is at 10 V DC.
Set the torque to be indicated as the full scale value on the meter (10 V DC voltmeter) connected between terminal AM and 5.
Output voltage is proportional to the monitored value of torque. (The maximum output voltage is 10 V DC.)

Terminal FM pulse train output (Pr. 291)

Two kinds of pulse trains can be output to the terminal FM.

- When Pr. 291 "Pulse train I/O selection" = "0 (initial value) or 1", output is made from FM, with maximum of 8 V DC and 2400 pulses/s.
The pulse width can be adjusted by using the operation panel or parameter unit and calibration parameter C0 (Pr. 900) "FM/CA terminal calibration".
- Commands can be sent (such as inverter output frequency) by connecting a 1 mA full-scale DC ammeter or a digital meter.

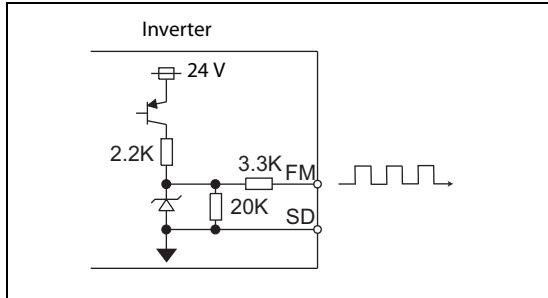


Fig. 5-84:
FM output circuit

1002611E

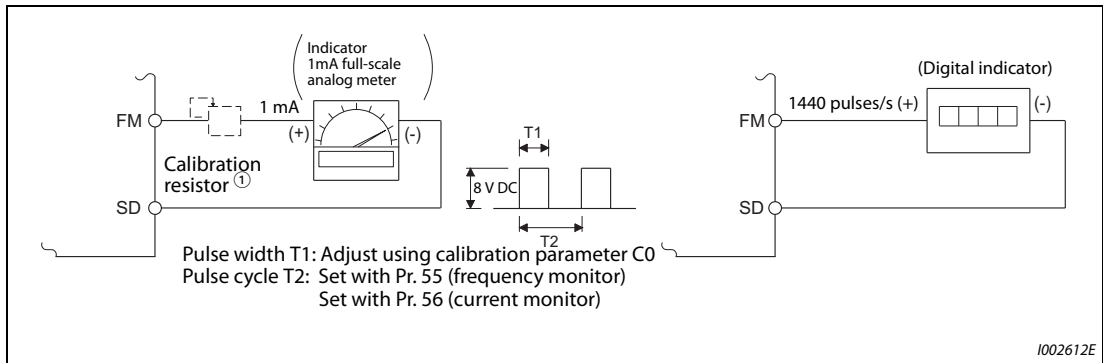


Fig. 5-85: Indicating the FM output

1002612E

- ① Not needed when the operation panel or the parameter unit is used for calibration.
Use a calibration resistor when the indicator (frequency meter) needs to be calibrated by a neighboring device because the indicator (frequency meter) needle may not deflect to full-scale if the calibration resistor is connected. However, the frequency meter needle may not deflect to full-scale if the calibration resistor is connected. In this case, calibrate additionally with the operation panel or parameter unit.
- ② In the initial setting, 1 mA full-scale and 1440 pulses/s terminal FM are used at 60 Hz.

- When Pr. 291 "Pulse train I/O selection" = "10, 11, 20, 21, 100", this is high-speed pulse train output for open collector output. A maximum pulse train of 55k pulses/s is output. There are two types of pulse width: "50% duty" and "fixed ON width"; this cannot be adjusted with the calibration parameter C0 (Pr. 900) "FM/CA terminal calibration".

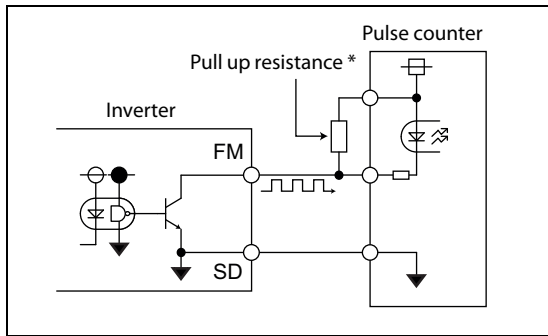
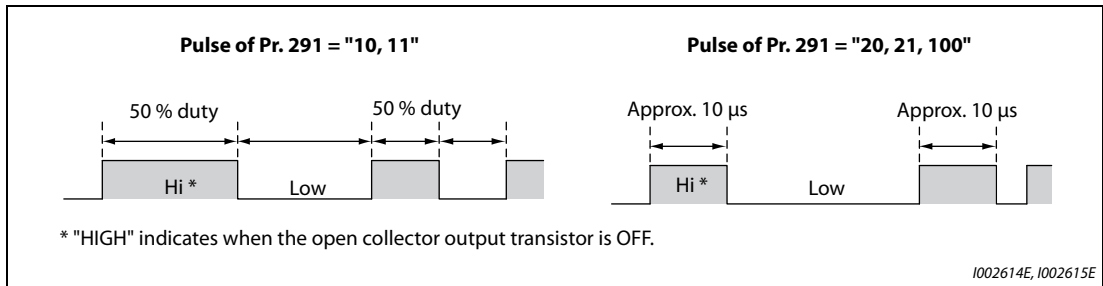


Fig. 5-86:
High-speed pulse train output circuit
(example of connection to pulse counter)

1002613E

- * The pulses may weaken due to stray capacitance in the wiring if the wiring is long, and the pulse counter will be unable to recognize the pulses. Connect the open collector output to the power source with a pull-up resistor if the wiring is too long. Check the pulse counter specs for the pull-up resistance. The resistance should be at 80 mA of the load current or less.



1002614E, 1002615E

Fig. 5-87: The two types of pulse width

- When Pr. 291 = "10, 11", the pulse cycle is 50 % duty (ON width and OFF width are the same).
- When Pr. 291 = "20, 21, 100", the pulse ON width is output at a fixed width (approx. 10 μs).
- At the "100" setting, the same pulse train from the pulse train input (terminal JOG) will be outputted. This is used when running at a synchronized speed with more than one inverter. (Refer to page 5-140.)

Item	High-speed pulse train output specifications
Output method	NPN open collector output
Voltage between collector-emitter	30 V (max.)
Maximum permissible load current	80 mA
Output pulse rate	0 to 55 kpps ①
Output resolution	3 pps (excluding jitter)

Tab. 5-97: High-speed pulse train output specifications

① 50 kpps when the monitor output value is 100%.

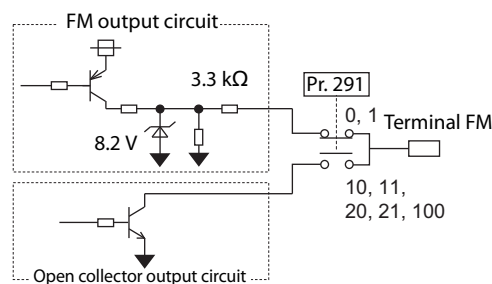
NOTES

Terminal JOG input specifications (pulse train input or contact input) can be selected with Pr. 291. When changing the setting value, be careful not to change the terminal JOG input specifications. (Refer to page 5-140 for pulse train input.)

Connect a meter between the terminals FM and SD after changing the Pr. 291 setting value. When using the pulse train of FM output (voltage output), be careful that voltage is not added to terminal FM.

A connection cannot be made to the pulse input of a source logic type.

If all parameter clear is performed when selecting the high-speed pulse train output (Pr. 291 = "10, 11, 20, 21, 100"), the terminal FM output can be changed from high-speed pulse train output to FM output (voltage output), since the Pr. 291 setting value returns to the initial value of "0". Perform all parameter clear after removing the device connected to the terminal FM.



5.8.4 Adjusting terminals FM/CA and AM

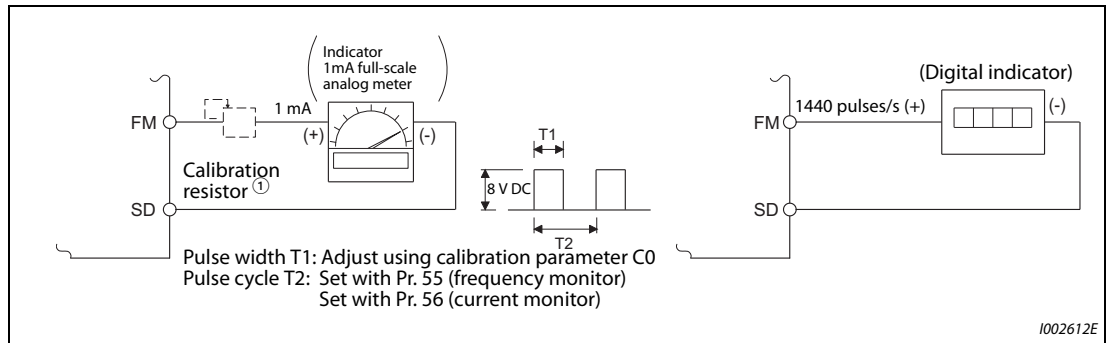
By using the operation panel or the parameter unit, terminals FM, CA and AM can be adjusted (calibrated) to the full scale.

Pr.	Name	Initial value	Setting range	Description
C0 (900) ① M310	FM/CA terminal calibration	—	—	Calibrates the scale of the meter connected to terminals FM and CA.
C1 (901) ① M320	AM terminal calibration	—	—	Calibrates the scale of the analog meter connected to terminal AM.
C8 (930) ① M330	Current output bypass signal	0%	0 to 100%	Set the signal value at the minimum analog current output.
C9 (930) ① M331	Current output bypass current	0%	0 to 100%	Set the current value at the minimum analog current output.
C10 (931) ① M332	Current output gain signal	100%	0 to 100%	Sets the signal value when the analog current output is at maximum.
C11 (931) ① M333	Current output gain current	100%	0 to 100%	Set the current value at the maximum analog current output.
867 M321	AM output filter	0.01 s	0 to 5 s	Set the terminal AM output filter.
869 M334	Current output filter	0.01 s	0 to 5 s	Set the terminal AM output filter.

① The parameter number in parentheses () is the one for use with the LCD operation panel and the parameter unit (FR-PU07).

Terminal FM calibration (C0 (Pr. 900))

- The terminal FM is preset to output pulses. By setting C0 (Pr. 900), the meter connected to the inverter can be calibrated by parameter setting without use of a calibration resistor.
- Using the pulse train output of the terminal FM, a digital display can be provided to connect a digital counter. The monitor value is 1440 pulses/s output at the full-scale value of the monitor description list (on page 5-199) (Pr. 54 "FM/CA terminal function selection").

**Fig. 5-88:** Terminal FM calibration

- ① Not needed when the operation panel or the parameter unit is used for calibration. Use a calibration resistor when the indicator (frequency meter) needs to be calibrated by a neighboring device because the indicator is located far from the inverter. However, the frequency meter needle may not deflect to full-scale if the calibration resistor is connected. In this case, perform calibration using the operation panel or parameter unit.
 - ② In the initial setting, 1 mA full-scale and 1440 pulses/s terminal FM are used at 60 Hz.
- Calibrate the terminal FM in the following procedure.
 - ① Connect an indicator (frequency meter) across terminals FM and SD of the inverter. (Note the polarity. The terminal FM is positive.)
 - ② When a calibration resistor has already been connected, adjust the resistance to "0" or remove the resistor.
 - ③ Refer to the monitored item list (page 5-199) and set Pr. 54. When the running frequency or inverter output current is selected on the monitor, set the running frequency or current value at which the output signal will be 1440 pulses/s, using Pr. 55 "Frequency monitoring reference" or Pr. 56 "Current monitoring reference" beforehand. Normally, at 1440 pulses/s the meter deflects to full-scale.
 - ④ If the meter needle does not point to maximum even at maximum output., calibrate it with C0 (Pr. 900).

NOTES

When outputting such an item as the output current, which cannot reach a 100% value easily by operation, set Pr. 54 to "21" (reference voltage output) and calibrate. 1440 pulses/s are output from the terminal FM.

When Pr. 310 "Analog meter voltage output selection" = "21", the terminal FM calibration cannot be performed. For the details of Pr. 310, refer to the Instruction Manual of FR-A8AY.
















The wiring length of the terminal FM should be 200 m at maximum.

The initial value of the calibration parameter C0 (Pr. 900) is set to 1 mA full-scale and 1440 pulses/s terminal FM pulse train output at 60 Hz. The maximum pulse train output of terminal FM is 2400 pulses/s.

When connecting a frequency meter between terminals FM-SD and monitoring the running frequency, it is necessary to change Pr. 55 to the maximum frequency, since the FM terminal output will be saturated at the initial value when the maximum frequency reaches 100 Hz or greater.

Calibration with the calibration parameter C0 (Pr. 900) cannot be done when Pr. 291 "Pulse train I/O selection" = "10, 11, 20, 21, 100" (high-speed pulse train output).

Calibration procedure for terminal FM when using the operation panel (FR-DU08)

Operation	
①	Screen at power-ON The monitor display appears.
②	Changing the operation mode Press  to choose the PU operation mode. [PU] indicator is lit. Calibration is also possible in the External operation mode.
③	Parameter setting mode Press  to choose the parameter setting mode. (The parameter number read previously appears.)
④	Calibration parameter selection Turn  until "┌. . . ." appears. Press  to display "┌ -- -- --".
⑤	Selecting the parameter number Turn  until "┌  " (C0 (Pr. 900) FM/CA terminal calibration) appears. Press  to enable the parameter setting. The monitored value of the item (initially the output frequency) selected by Pr. 54 "FM/CA terminal function selection" will appear.
⑥	Pulse output via terminal FM If stopped, press  or  to start the inverter operation. (To monitor the output frequency, motor connection is not required. When a monitor that does not require inverter operation is set in Pr. 54, calibration is also possible during a stop status.
⑦	Scale adjustment Turn  to move the meter needle to a desired position.
⑧	Setting completed Press  to enter the setting. The monitored value and "┌  " flicker alternately. <ul style="list-style-type: none"> • Turn  to read another parameter. • Press  to return to the "┌ -- -- --" display. • Press  twice to show the next parameter.

Tab. 5-98: FM terminal calibration**NOTES**

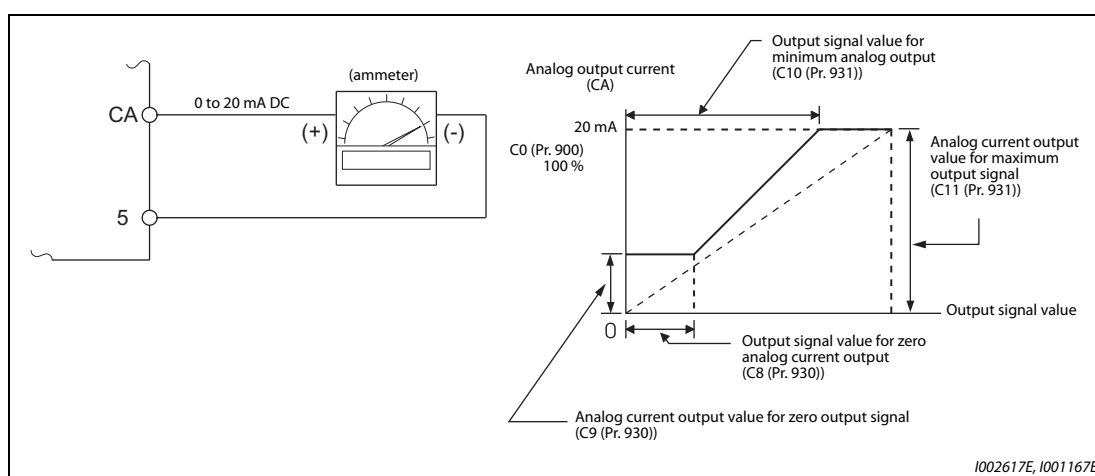
Calibration can also be made for the External operation. Set the frequency in the External operation mode, and make calibration in the above procedure.

Calibration can be performed during operation.

For the operation from the parameter unit, refer to the Instruction Manual of the parameter unit.

Terminal CA calibration (C0 (Pr. 900), C8 (Pr. 930) to C11 (Pr. 931))

- Terminal CA is initially set to provide a 20 mA DC output in the full-scale state of the corresponding monitor item.
Calibration parameter C0 (Pr. 900) allows the output current ratio (gains) to be adjusted according to the meter scale. Note that the maximum output current is 20 mA DC.
- Set a value at the minimum current output in the calibration parameters C8 (Pr. 930) and C9 (Pr. 930). Calibration parameter C10 (Pr. 931) and C11 (Pr. 931) are used to set a value at the maximum current output.
- Set the output signal values (output monitor set with Pr. 54) at zero and at the maximum current output from the terminal CA (using calibration parameters C8 (Pr. 930) and C10 (Pr. 931)). The full scale for each monitor is 100% at this time.
- Set the output current values (output monitor set with Pr. 54) at zero and at the maximum current output from the terminal CA (using calibration parameters C9 (Pr. 930) and C11 (Pr. 931)). The output current calibrated by calibration parameter C0 (Pr. 900) is 100% at this time.

**Fig. 5-89:** Terminal CA calibration

- Calibrate the terminal CA in the following procedure.
 - ① Connect a 0-20 mA DC indicator (frequency meter) across terminals CA and 5 of the inverter. (Note the polarity. The terminal CA is positive.)
 - ② Set the initial values of the calibration parameters C8 (Pr. 930) to C11 (Pr. 931). If the meter needle does not indicate zero when the current input is at zero, calibrate the meter using C8 (Pr. 930) and C9 (Pr. 930).
 - ③ Refer to the monitor description list (page 5-212) and set Pr. 54. When the running frequency or inverter output current is selected on the monitor, set the running frequency or current value at which the output signal will be 20 mA, using Pr. 55 or Pr. 56 beforehand.
 - ④ If the meter needle does not point to maximum even at maximum output, calibrate it with C0 (Pr. 900).

NOTES

When outputting such an item as the output current, which cannot reach a 100% value easily by operation, set Pr. 54 to "21" (reference voltage output) and calibrate. 20 mA DC is output from the terminal CA.

When Pr. 310 "Analog meter voltage output selection" = "21", the terminal CA calibration cannot be performed. For the details of Pr. 310, refer to the Instruction Manual of FR-A8AY.

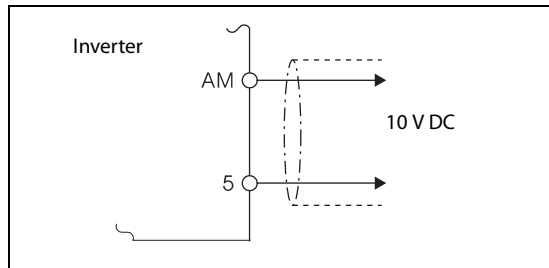
Output is possible from terminal CA even if $C8 (Pr. 930) \geq C10 (Pr. 931)$, $C9 (Pr. 930) \geq C11 (Pr. 931)$.

Adjusting the response of terminal CA (Pr. 869)

- Using Pr. 869, the output voltage response of the terminal CA can be adjusted in the range of 0 to 5 s.
- Increasing the setting stabilizes the terminal CA output more but reduces the response level. (Setting "0" sets the response level to 7 ms.)

Calibration of terminal AM (C1 (Pr. 901))

- Terminal AM is initially set to provide a 10 V DC output in the full-scale state of the corresponding monitor item. Calibration parameter C1 (Pr. 901) allows the output voltage ratio (gains) to be adjusted according to the meter scale. Note that the maximum output voltage is 10 V DC.

**Fig. 5-90:**

Connecting an analog meter to the AM output

1001168

- Calibrate the AM terminal in the following procedure.
 - ① Connect a 0-10 V DC indicator (frequency meter) across terminals AM and 5 of the inverter. (Note the polarity. The terminal AM is positive.)
 - ② Refer to the monitor description list (page 5-212) and set Pr. 158 "AM terminal function selection".
When the running frequency or inverter output current is selected on the monitor, set the running frequency or current value at which the output signal will be 10 V, using Pr. 55 or Pr. 56 beforehand.
 - ③ If the meter needle does not point to maximum even at maximum output., calibrate it with C1 (Pr. 901).

NOTES

When outputting such an item as the output current, which cannot reach a 100% value easily by operation, set Pr. 158 to "21" (reference voltage output) and calibrate. 10 V DC is output from the terminal AM.

When Pr. 306 "Analog output signal selection" = "21", the terminal AM calibration cannot be performed. For the details of Pr. 306, refer to the Instruction Manual of FR-A8AY.

Use Pr. 290 "Monitor negative output selection" to enable negative output from the terminal AM. When this is set, the output voltage range will be -10 V DC to +10 V DC. Calibrate the terminal AM with the maximum positive output value.

Adjusting the response of terminal AM (Pr. 867)

- Using Pr. 867, the output voltage response of the terminal AM can be adjusted in the range of 0 to 5 s.
- Increasing the setting stabilizes the terminal AM output more but reduces the response level. (Setting "0" sets the response level to 7 ms.)

Parameters referred to			
Pr. 54	FM/CA terminal function selection	=>	page 5-211
Pr. 55	Frequency monitoring reference	=>	page 5-211
Pr. 56	Current monitoring reference	=>	page 5-211
Pr. 158	AM terminal function selection	=>	page 5-211
Pr. 290	Monitor negative output selection	=>	page 5-211
Pr. 291	Pulse train I/O selection	=>	page 5-140

5.8.5 Energy saving monitor

From the estimated consumed power during commercial power supply operation, the energy saving effect by use of the inverter can be monitored and output.

Pr.	Name	Initial value	Setting range	Description
52 M100	Operation panel main monitor selection	0 (output frequency)	Refer to page 5-198	50: Power saving monitor 51: Cumulative power saving monitor
774 M101	Operation panel monitor selection 1	9999		
775 M102	Operation panel monitor selection 2			
776 M103	Operation panel monitor selection 3			
992 M104	Operation panel setting dial push monitor selection	0 (set frequency)		
54 M300	FM/CA terminal function selection	1 (output frequency)	Refer to page 5-211	50: Power saving monitor
158 M301	AM terminal function selection			
891 M023	Cumulative power monitor digit shifted times	9999	0 to 4	Set the number of times to shift the cumulative power monitor digit. The monitored value is clamped at the maximum value.
			9999	No shift. The monitored value is cleared when it exceeds the maximum value.
892 M200	Load factor	100%	30 to 150%	Set the load factor for the commercial power supply operation. This is multiplied by the power consumption rate (page 5-229) during commercial power supply operation.
893 M201	Energy saving monitor reference (motor capacity)	Inverter rated current	0.1 to 55 kW ^①	Set the motor capacity (pump capacity). Set when calculating the power saving power rate, average power saving rate, and power during commercial power supply operation.
			0 to 3600 kW ^②	

Pr.	Name	Initial value	Setting range	Description
894 M202	Control selection during commercial power-supply operation	0	0	Discharge damper control (fan)
			1	Inlet damper control (fan)
			2	Valve control (pump)
			3	Commercial power supply drive (fixed value)
895 M203	Power saving rate reference value	9999	0	Consider the value during commercial power supply operation as 100%.
			1	Consider Pr. 893 setting as 100%.
			9999	No function
896 M204	Power unit cost	9999	0 to 500	Set the power unit cost. The power cost savings are displayed on the energy saving monitor.
			9999	No function
897 M205	Power saving monitor average time	9999	0	Average of 30 minutes
			1 to 1000 h	Average of the set time
			9999	No function
898 M206	Power saving cumulative monitor clear	9999	0	Cumulative monitor value clear
			1	Cumulative monitor value hold
			10	Continue accumulation (communication data upper limit 9999)
			9999	Continue accumulation (communication data upper limit 65535)
899 M207	Operation time rate (estimated value)	9999	0 to 100%	This value is used for calculating the annual power saving amount. Set the annual operation ratio (consider 365 days × 24 hours as 100%).
			9999	No function

① For the FR-F820-02330(55K) or lower, and FR-F840-01160(55K) or lower.

② For the FR-F820-03160(75K) or higher, and FR-F840-01800(75K) or higher.

Energy saving monitor list

- The items that can be monitored on the power saving monitor (Pr. 52, Pr. 54, Pr. 158, Pr. 774 to Pr. 776, Pr. 992 = "50") are indicated below.
(Only [① Power saving] and [③ Average power saving] can be set to Pr. 54 (terminal FM, terminal CA) and Pr. 158 (terminal AM).)

	Energy saving monitored item	Description and formula	Increment	Parameter setting			
				Pr. 895	Pr. 896	Pr. 897	Pr. 899
①	Power saving	The difference between the estimated value of the required power during commercial power supply operation and the input power calculated with the inverter. Power supply during commercial power supply operation - input power monitor	0.01 kW/ 0.1 kW ^③	9999			
②	Power saving rate	The power saving ratio with the commercial power supply operation as 100%. $\frac{\text{① Power saving}}{\text{Power during commercial power supply operation}} \times 100$	0.1%	0	—	9999	
		The power saving ratio with Pr. 893 as 100%. $\frac{\text{② Power saving rate}}{\text{Pr. 893}} \times 100$		1			
③	Average power saving	The average power saving per hour during a predetermined time (Pr. 897). $\frac{\sum (\text{① Power saving} \times \Delta t)}{\text{Pr. 897}}$	0.01 kWh/ 0.1 kWh ^③	9999			—
④	Average power saving rate	The average power saving ratio with the commercial power supply operation as 100%. $\frac{\sum (\text{② Power saving rate} \times \Delta t)}{\text{Pr. 897}} \times 100$	0.1%	0	9999	0 to 1000 h	
		The average power saving ratio with Pr. 893 as 100%. $\frac{\text{④ Average power saving}}{\text{Pr. 893}} \times 100$		1			
⑤	Average power cost savings	The average power saving in terms of cost. ⑤ Average power saving × Pr. 896	0.01/0.1 ^③	—	0 to 500		

Tab. 5-99: Power saving monitor list

- The items that can be monitored on the cumulative energy saving monitor (Pr. 52, Pr. 774 to Pr. 776, Pr. 992 = "51") are indicated below.
(The monitor value of the cumulative monitor can be shifted to the right with Pr. 891 "Cumulative power monitor digit shifted times".)

	Energy saving monitored item	Description and formula	Increment	Parameter setting			
				Pr. 895	Pr. 896	Pr. 897	Pr. 899
⑥	Power saving amount	The cumulative power saving is added up per hour. Σ (① Power saving \times Δt)	0.01 kWh/ 0.1 kWh ① ② ③	—	9999	—	9999
⑦	Power cost saving	The power saving amount in terms of cost. ⑥ Power saving amount \times Pr. 896	0.01/0.1 ① ③	—	0 to 500		—
⑧	Annual power saving amount	Estimated value of annual power saving amount. $\frac{\text{⑥ Power saving amount}}{\text{Operation time during power saving accumulation}} \times 24 \times 365 \times \frac{\text{Pr. 899}}{100}$	0.01 kWh/ 0.1 kWh ① ② ③	—	9999	—	
⑨	Annual power cost savings	Annual power saving amount in terms of cost. ⑧ Annual power saving amount \times Pr. 896	0.01/0.1 ① ③	—	0 to 500	—	—

Tab. 5-100: Cumulative saving power monitor list

- ① For communication, (RS-485 communication, communication option), the display increments are 1. For example, "10.00 kWh" is displayed as "10" for communication data.
- ② When using the LCD operation panel or the parameter unit, "kW" is displayed
- ③ The increment differs according to capacities. (FR-F820-02330(55K) or lower, FR-F840-01160(55K) or lower / FR-F820-03160(75K) or higher, FR-F840-01800(75K) or higher.)

NOTES

The operation panel and the parameter unit has a 5-digit display. This means, for example, that when a monitor value in 0.01 units exceeds "999.99", the decimal place is moved up as in "1000.0" and the display changes to 0.1 units. The maximum display number is "99999".

The maximum value for communication (RS-485 communication, communication option) when Pr. 898 "Power saving cumulative monitor clear" = "9999" is "65535". The maximum value for the 0.01-unit monitor is "655.35", and the maximum value for the 0.1-unit monitor is "6553.5".

Power saving real-time monitor ([① Power saving] and [② Power saving rate])

- On the [① Power saving monitor], an energy saving effect as compared to the consumed power during commercial power supply operation (estimated value) is calculated and displays on the main monitor.
- In the following cases, the [① Power saving monitor] indicates "0".
 - (a) Calculated values of the power saving monitor are negative values.
 - (b) During DC injection brake operation.
 - (c) The motor is not connected (output current monitor is 0A).
- On the [② Power saving rate monitor], the power saving rate considering the consumed power during the power supply operation (estimated value) as 100% is displayed. Pr. 895 "Power saving rate reference value" needs to be set to "0". Energy saving monitor reference (motor capacity)

Average power saving monitor

([3] Average power saving], [4] Average power saving rate], [5] Average power cost savings])

- The average power saving monitors are displayed by setting a value other than 9999 in Pr. 897 "Power saving monitor average time".
- On the [3] Average power saving monitor], average power saving amount for each average time period s displayed.
- When Pr. 897 is set, the average value is updated each time the average time period elapses, with the power-ON or inverter reset as the starting point.
The power savings average value update timing signal (Y92) is inverted every time the average value is updated.

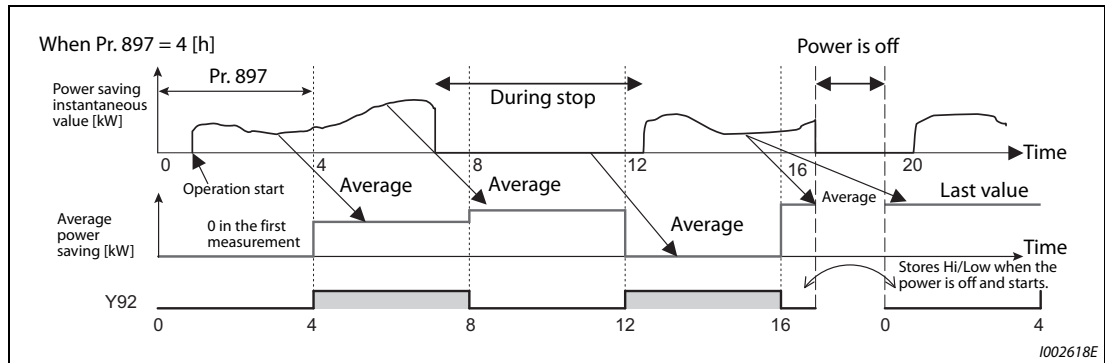


Fig. 5-91: Update of the average value

- When Pr. 895 "Power saving rate reference value" the [2] Average power saving rate] for the averaging time period is displayed on the [4] Average power saving rate] monitor.
- When the power cost per 1 kWh power amount is set in Pr. 896 "Power unit cost", the cost of the saved power ([3] Average power saving] × Pr. 896) is displayed on the [5] Average power cost savings].

Cumulative energy saving monitors ([6] Power saving amount], [7] Power cost saving], [8] Annual power saving amount], [9] Annual power saving savings]).

- On the cumulative energy saving cumulative monitors, the monitor data digit can be shifted to the right by the number of Pr. 891 "Cumulative power monitor digit shifted times". setting. For example, if the cumulative power value is 1278.56 kWh when Pr. 891 = "2", the PU/DU display is 12.78 (display in 100 kWh increments) and the communication data is 12. If the maximum value is exceeded when Pr. 891 = "0 to 4", the value is clamped at the maximum value, indicating that a digit shift is necessary. If the maximum value is exceeded when Pr. 891 = "9999", the value returns to 0, and the counting starts again. In other monitors, the value is clamped at the displayed maximum value.
- The [6] Cumulative power saving amount] monitor (6)] can measure the power during a pre-determined period. Measure with the following procedure.
 - ① Write "9999" or "10" in Pr. 898 "Power saving cumulative monitor clear".
 - ② Write "0" in Pr. 898 at the measurement start time to clear the power saving cumulative monitor value and start power saving accumulation.
 - ③ Write "1" in Pr. 898 at the measurement end time to hold the power saving cumulative monitor value.

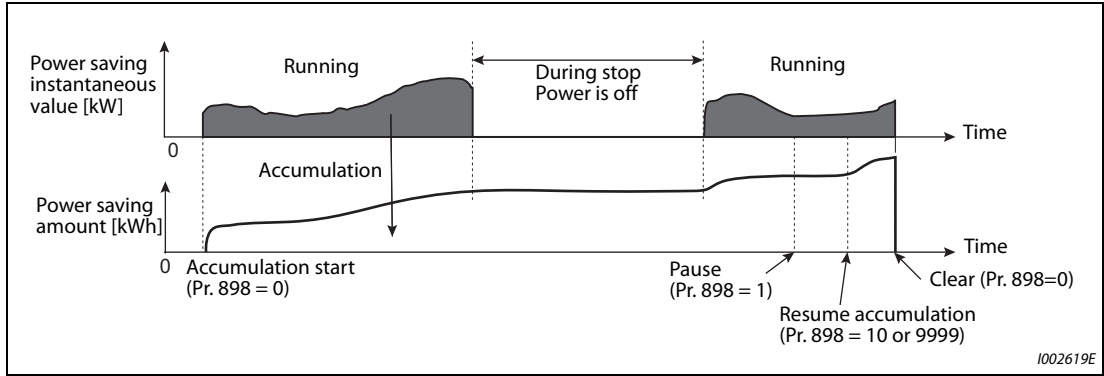


Fig. 5-92: Cumulative energy saving monitor

NOTE

The power saving cumulative monitor value is saved every hour. This means that if the power is turned OFF after less than an hour, when then the power is turned ON again, the previously saved monitor value is displayed, and accumulation starts. (In some cases, the cumulative monitor value may go down.)

Estimated power value in commercial power supply operation (Pr. 892, Pr. 893, Pr. 894)

- Select the pattern for commercial power supply operation from the four patterns of discharge damper control (fan), suction damper control (fan), valve control (pump) and commercial power driving, and set it in Pr. 894 "Control selection during commercial power-supply operation".
- Set the motor capacity (pump capacity) in Pr. 893 "Energy saving monitor reference (motor capacity)".
- As shown below, the consumed power ratio (%) during commercial power supply operation is estimated from the rotations per minute ratio for each operation pattern and rating (current output frequency/Pr. 3 "Base frequency").

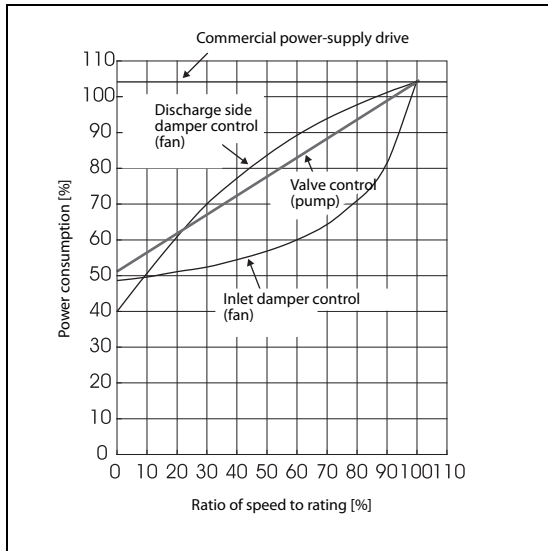


Fig. 5-93: Characteristic of the power consumption

1001181

- The estimated value of the consumed power during commercial power supply operation [kW] is calculated from the motor capacity set in Pr. 893 and Pr. 892 "Load factor" with the following formula.

$$\text{Estimated consumed power during commercial power supply operation [kW]} = \text{Pr. 893 [kW]} \times \frac{\text{Consumed power [\%]}}{100} \times \frac{\text{Pr. 892 [\%]}}{100}$$

NOTE

In commercial power supply operation, because the rotations per minute cannot rise higher than the power supply frequency, if the output frequency rises to Pr. 3 "Base frequency" or higher, it stays at a constant value.

Annual power saving amount and power cost savings (Pr. 899)

- When the operation time rate [%] (ratio of time in year that the inverter actually drives the motor) is set in Pr. 899, the annual energy saving effect can be estimated.
- When the operation pattern is determined to a certain extent, the estimated value of the annual power saving amount can be calculated by measuring the power saving in a certain measurement period.
- Refer to the following to set the operation time rate.
 - ① Estimate the average time of operation per day [h/day].
 - ② Calculate the number of operation days per year [days/year].
(Average number of operation days per month × 12 months)
 - ③ Calculate the annual operation time [h/year] from ① and ②.
Annual operation time [h/year] = average time [h/day] × number of operation days [days/year]
 - ④ Calculate the operation time rate and set it in Pr. 899.

$$\text{Operation time rate (\%)} = \frac{\text{Annual operation time [h/year]}}{24 \text{ [h/day]} \times 365 \text{ [days/year]}} \times 100 \text{ [\%]}$$

Example ▽

Setting example for operation time rate:

When operation is performed about 21 h per day for an average 16 operation days per month:

$$\text{Annual operation time} = 21 \text{ [h/day]} \times 16 \text{ [days/month]} \times 12 \text{ months} = 4032 \text{ [h/year]}$$

$$\text{Operation time rate [\%]} = \frac{4032 \text{ [h/year]}}{24 \text{ [h/day]} \times 365 \text{ [days/year]}} \times 100 \text{ [\%]} = \underline{46.03\%}$$

Set 46.03% in Pr. 899.

△

- Calculate the annual power saving amount from Pr. 899 "Operation time rate (estimated value)" and the average power saving monitor.

$$\text{Annual power saving amount [kWh/year]} = \frac{\text{With Pr. 898 = 10 or 9999, average power saving [kW] during cumulative}}{\text{power saving [kW] during cumulative}} \times 24 \text{ h} \times 365 \text{ days} \times \frac{\text{Pr. 899}}{100}$$

- When the power cost per hour is set in Pr. 896 "Power unit cost", the annual power cost savings can be monitored.

$$\text{Annual power cost saving} = \text{Annual power saving amount [kWh/year]} \times \text{Pr. 896}$$

NOTE

During regenerative driving, make calculation on the assumption that "power saving = power during commercial power supply operation (input power = 0)".

Parameters referred to			
Pr. 3	Base frequency	=>	page 5-537
Pr. 52	Operation panel main monitor selection	=>	page 5-198
Pr. 54	FM/CA terminal function selection	=>	page 5-211
Pr. 158	AM terminal function selection	=>	page 5-211

5.8.6 Output terminal function selection

Use the following parameters to change the functions of the open collector output terminals, relay output terminals, or virtual terminals of CC-Link IE Field Network Basic (for FR-F800-E).

Pr.	Name		Initial value	Initial set signal	Setting range
190 M400	RUN terminal function selection	Open collector output terminal	0	RUN (Inverter running)	0 to 5, 7, 8, 10 to 19, 25, 26, 35, 39 to 42, 45 to 54, 57, 64 to 68, 70 to 80, 82, 85, 90 to 96, 98 to 105, 107, 108, 110 to 116, 125, 126, 135, 139 to 142, 145 to 154, 157, 164 to 168, 170 to 180, 182, 185, 190 to 196, 198 to 208, 211 to 213, 215, 217 to 220, 226, 228 to 230, 242 ^③ , 300 to 308, 311 to 313, 315, 317 to 320, 326, 328 to 330, 342 ^③
191 M401	SU terminal function selection		1	SU (Up to frequency)	
192 M402	IPF terminal function selection		2 ^① 9999 ^②	IPF (Instantaneous power failure/undervoltage)	
193 M403	OL terminal function selection		3	OL (Overload warning)	
194 M404	FU terminal function selection		4	FU (Output frequency detection)	
195 M405	ABC1 terminal function selection	Relay output terminal	99	ALM (Fault)	0 to 5, 7, 8, 10 to 19, 25, 26, 35, 39 to 42, 45 to 54, 57, 64 to 68, 70 to 80, 82, 85, 90, 91, 94 to 96, 98 to 105, 107, 108, 110 to 116, 125, 126, 135, 139 to 142, 145 to 154, 157, 164 to 168, 170 to 180, 182, 185, 190, 191, 194 to 196, 198 to 208, 211 to 213, 215, 217 to 220, 226, 228 to 230, 242 ^③ , 300 to 308, 311 to 313, 315, 317 to 320, 326, 328 to 330, 342 ^③
196 M406	ABC2 terminal function selection		9999	No function	
313 ^④ M410	DO0 output selection	Option terminal	9999	No function	0 to 5, 7, 8, 10 to 19, 25, 26, 35, 39 to 42, 45 to 54, 57, 64 to 66, 68, 70 to 80, 85 to 96, 98 to 105, 107, 108, 110 to 116, 125, 126, 135, 139 to 142, 145 to 154, 157, 164 to 166, 168, 170 to 180, 185 to 196, 198 to 208, 211 to 213, 215, 217 to 220, 226, 228 to 230, 242, 300 to 308, 311 to 313, 315, 317 to 320, 326, 328 to 330, 342, 9999
314 ^④ M411	DO1 output selection		9999		
315 ^④ M412	DO2 output selection		9999		

① The initial value is for standard models.

② The initial value is for separated converter types.

③ The setting is available for FR-F800-E only.

④ The parameter is used when the CC-Link IE Field Network Basic is selected (for FR-F800-E). (Refer to page 5-618.)

Pr.	Name	Initial value	Setting range	Description
289 M431	Inverter output terminal filter	9999	5 to 50 ms	Set the time delay for the output terminal response.
			9999	No output terminal filter.

Output signal list

- The functions of the output terminals can be set.
- Refer to the following table and set each parameter.

Setting		Signal name	Function	Operation	Related parameter	Refer to page
Positive logic	Negative logic					
0	100	RUN	Inverter running	Output during operation when the inverter output frequency reaches Pr. 13 "Starting frequency" or higher.	—	5-238
1	101	SU	Up to frequency ①	Output when the output frequency reaches the set frequency.	Pr. 41	5-240
2	102	IPF	Instantaneous power failure/undervoltage ②	Output when an instantaneous power failure or undervoltage protection operation occurs.	Pr. 57	5-415, 5-423
3	103	OL	Overload warning	Output during operation of the stall prevention function.	Pr. 22, Pr. 23, Pr. 66, Pr. 148, Pr. 149, Pr. 154	5-180
4	104	FU	Output frequency detection	Output when the output frequency reaches the frequency set in Pr. 42 (Pr. 43) during reverse rotation) or higher.	Pr. 42, Pr. 43	5-240
5	105	FU2	Second output frequency detection	Output when the output frequency reaches the frequency set in Pr. 50 or higher.	Pr. 50	5-240
7	107	For manufacturer setting. Do not set.				
8	108	THP	Electronic thermal O/L relay pre-alarm	Output when the cumulative electronic thermal O/L relay value reaches 85% of the trip level. (Electronic thermal O/L relay protection (E.THT/E.THM) is activated when the value reaches 100%.)	Pr. 9	5-150
10	110	PU	PU operation mode	Output when PU operation mode is selected.	Pr. 79	5-119
11	111	RY	Inverter operation ready	Output when the reset process is completed after powering ON the inverter (when starting is possible by switching the start signal ON or during operation).	—	5-238
12	112	Y12	Output current detection	Output when the output current is higher than the Pr. 150 setting for the time set in Pr. 151 or longer.	Pr. 150, Pr. 151	5-244
13	113	Y13	Zero current detection	Output when the output current is lower than the Pr. 152 setting for the time set in Pr. 153 or longer.	Pr. 152, Pr. 153	5-244
14	114	FDN	PID lower limit	Output when the value is lower than the lower limit of PID control.	Pr. 127 to Pr. 134, Pr. 575 to Pr. 577, Pr.1370	5-353
15	115	FUP	PID upper limit	Output when the value is higher than the upper limit of PID control.		
16	116	RL	PID forward/reverse rotation output	Output during forward rotation under PID control.		
17	—	MC1	Electronic bypass MC1	Used when using the electronic bypass function.	Pr. 135 to Pr. 139, Pr. 159	5-333
18	—	MC2	Electronic bypass MC2			
19	—	MC3	Electronic bypass MC3			
25	125	FAN	Fan fault output	Output when a fan fault occurs.	Pr. 244	5-160
26	126	FIN	Heatsink overheat pre-alarm	Output when the heatsink temperature reaches about 85% of the heatsink overheat protection operation temperature.	—	6-21
35	135	TU	Torque detection	Output when the motor torque is higher than the Pr. 864 setting.	Pr. 864	5-246
39	139	Y39	Start time tuning completion	Output when tuning is completed during start-up.	Pr. 95, Pr. 574	5-327

Tab. 5-101: Output terminal function assignment (1)

Setting		Signal name	Function	Operation	Related parameter	Refer to page
Positive logic	Negative logic					
40	140	Y40	Trace status	Output during trace operation.	Pr. 1020 to Pr. 1047	5-443
41	141	FB	Speed detection	Output when the actual motor rotations per minute (estimated rotations per minute) reaches Pr. 42 (Pr. 50).	Pr. 42, Pr. 50	5-240
42	142	FB2	Second speed detection			
45	145	RUN3	Inverter running and start command is ON	Output while the inverter is running and the start command is ON.	—	5-238
46	146	Y46	During deceleration at occurrence of power failure (retained until release)	Output after the power-failure deceleration function operates. (Retained until cancelled.)	Pr. 261 to Pr. 266	5-432
47	147	PID	During PID control activated	Output during PID control.	Pr. 127 to Pr. 134, Pr. 575 to Pr. 577	5-353
48	148	Y48	PID deviation limit	Output when the absolute deviation value exceeds the limit value.	Pr. 127 to Pr. 134, Pr. 553, Pr. 554	5-353
49	149	Y49	During pre-charge operation	Output during pre-charge operation.	Pr. 127 to Pr. 134, Pr. 241, Pr. 553, Pr. 554, Pr. 575 to Pr. 577, Pr. 753 to Pr. 769, C42 to C45	5-385
50	150	Y50	During second pre-charge operation			
51	151	Y51	Pre-charge time over	Output when the pre-charge operation reaches the time limit set in Pr. 764 or Pr. 769.		
52	152	Y52	Second pre-charge time over			
53	153	Y53	Pre-charge level over	Output when the measured value before reaching the ending time during pre-charge operation is higher than the detection level set in Pr. 763 or Pr. 768.		
54	154	Y54	Second pre-charge level over			
57	157	IPM	During PM motor control	Output while the control method is PM motor control.	Pr. 71, Pr. 80, Pr. 998	5-48
64	164	Y64	During retry	Output during retry processing.	Pr. 65 to Pr. 69	5-164
65	165	Y65	Emergency drive in operation ②	Output during emergency drive operation	Pr. 514, Pr. 515, Pr. 523, Pr. 524, Pr. 1013	5-167
66	166	ALM3	Fault output during emergency drive ②	Output when a fault occurs during emergency drive operation.		
67	167	Y67	Power failure signal ③	Output when the power failure time deceleration-to-stop function is activated during output shutoff due to power failure or undervoltage.	Pr. 261 to Pr. 266	5-432
68	168	EV	24 V external power supply operation	Output while operating with a 24 V power supply input from an external source.	—	2-61
70	170	SLEEP	PID output interruption	Output during PID output suspension function operation.	Pr. 127 to Pr. 134, Pr. 575 to Pr. 577	5-353

Tab. 5-101: Output terminal function assignment (2)

Setting		Signal name	Function	Operation	Related parameter	Refer to page
Positive logic	Negative logic					
71	171	RO1	Commercial power supply side motor 1 connection	Output depending on the motor drive conditions when the multi-pump function is used.	Pr. 575 to Pr. 591	5-392
72	172	RO2	Commercial power supply side motor 2 connection RO2			
73	173	RO3	Commercial power supply side motor 3 connection RO3			
74	174	RO4	Commercial power supply side motor 4 connection			
75	175	RIO1	Inverter side motor 1 connection RIO1			
76	176	RIO2	Inverter side motor 2 connection RIO2			
77	177	RIO3	Inverter side motor 3 connection RIO3			
78	178	RIO4	Inverter side motor 4 connection RIO4			
79	179	Y79	Pulse train output of output power	Output in pulses every time the accumulated output power of the inverter reaches the Pr. 799 setting.	Pr. 799	5-253
80	180	SAFE	Safety monitor output (SAFE) signal	The SAFE signal is output when the safety stop function is activated and the internal safety circuit status is normal.	—	2-65
82	182	Y82	BACnet binary output	Enables output from the Binary Output object for BACnet communication.	Pr. 549	5-506
85	185	Y85	DC current feeding ②	Output when there is a power failure or undervoltage for the AC current.	Pr. 30	5-552
86	186	Y86	Control circuit capacitor life (for Pr. 313 to Pr. 322) ⑤	Output when the control circuit capacitor approaches the end of its life.	Pr. 255 to Pr. 259	5-91
87	187	Y87	Main circuit capacitor life (for Pr. 313 to Pr. 322) ② ⑤	Output when the main circuit capacitor approaches the end of its life.		
88	188	Y88	Cooling fan life (for Pr. 313 to Pr. 322) ⑤	Output when the cooling fan approaches the end of its life.		
89	189	Y89	Inrush current limit circuit life (for Pr. 313 to Pr. 322) ② ⑤	Output when the inrush current limit circuit approaches the end of its life.		
90	190	Y90	Life alarm	Output when any of the control circuit capacitor, main circuit capacitor and inrush current limit circuit or the cooling fan approaches the end of its life.		
91	191	Y91	Fault output 3(power-OFF signal)	Output when an error occurs due to an inverter circuit fault or connection fault.	—	5-240
92	192	Y92	Energy saving average value updated timing	Switches between ON and OFF each time the average power saving is updated when using the power saving monitor. This cannot be set in Pr. 195 or Pr. 196, Pr. 320 to Pr. 322 (relay output terminal).	Pr. 52, Pr. 54, Pr. 158, Pr. 891 to Pr. 899	5-60
93	193	Y93	Current average monitor signal	Outputs the average current and maintenance timer value as a pulse. This cannot be set in Pr. 195 or Pr. 196, Pr. 320 to Pr. 322 (relay output terminal).	Pr. 555 to Pr. 557	5-97

Tab. 5-101: Output terminal function assignment (3)

Setting		Signal name	Function	Operation	Related parameter	Refer to page
Positive logic	Negative logic					
94	194	ALM2	Fault output 2	Output when the inverter's protective function is activated to stop the output (at fault occurrence). The signal output continues even during an inverter reset, and the signal output stops after the reset release. ⑥	—	5-239
95	195	Y95	Maintenance timer signal	Output when Pr. 503 reaches the Pr. 504 setting or higher.	Pr. 503, Pr. 504	5-95
96	196	REM	Remote output	Output via terminals when certain parameters are set.	Pr. 495 to Pr. 497	5-247
98	198	LF	Alarm	Output when an alarm (fan fault or communication error warning) occurs.	Pr. 121, Pr. 244	5-160, 5-459
99	199	ALM	Fault	Output when the inverter's protective function is activated to stop the output (at fault occurrence). The signal output is stopped after a reset.	—	5-239
200	300	FDN2	Second PID lower limit	Output when the value is lower than the lower limit of second PID control.	Pr. 753 to Pr. 758	5-353
201	301	FUP2	Second PID upper limit	Output when the value is higher than the upper limit of second PID control.		
202	302	RL2	Second PID forward/reverse rotation output	Output during forward rotation under second PID control.		
203	303	PID2	Second During PID control activated	Output during second PID control.		
204	304	SLEEP2	During second PID output shutoff	Output during second PID output suspension function operation.		
205	305	Y205	Second PID deviation limit	Output when the absolute deviation value during second PID control exceeds the limit value.	Pr. 753 to Pr. 758, Pr. 1145, Pr. 1146	
206	306	Y206	Cooling fan operation command signal	Output when the cooling fan operation is commanded.	Pr. 244	5-160
207	307	Y207	Control circuit temperature signal	Output when the temperature of the control circuit board reaches the detection level or higher.	Pr. 663	
208	308	PS	PU stopped signal	Output while the PU is stopped.	Pr. 75	5-63
211	311	LUP	Upper limit warning detection	Output when the load fault upper limit warning is detected.	Pr. 1480 to Pr. 1492	5-189
212	312	LDN	Lower limit warning detection	Output when the load fault lower limit warning is detected.		
213	313	Y213	During load characteristics measurement	Output during measurement of the load characteristics.		
215	315	Y215	During cleaning	Output during operation of the cleaning function.	Pr. 1469 to Pr. 1479	5-348

Tab. 5-101: Output terminal function assignment (4)

Setting		Signal name	Function	Operation	Related parameter	Refer to page
Positive logic	Negative logic					
217	317	Y217	Priming pump operation	Outputs the signal for starting the priming pump.	Pr.1363	5-404
218	318	STIR	Stirring	Output during the stirring operation.	Pr.1364, Pr.1365	
219	319	Y219	PID upper/lower limit pre-warning	Output when the PID measured value meets the requirements of the limit pre-warning signal output conditions.	Pr.1370 to Pr.1373	
220	320	Y220	Second PID upper/lower limit pre-warning			
226	326	Y226	Auxiliary pressure pump operation	Output when the PID deviation exceeds the auxiliary pressure pump operation starting level.	Pr.1374, Pr.1375	
228	328	DRY	Dry run	Output when a dry-run state is detected.	Pr.42, Pr.43, Pr.132, Pr.1144, Pr.1370	
229	329	Y229	PID input pressure warning	Output when the pump inlet pressure reaches the warning level.	Pr.1370, Pr.1373, Pr.1377, Pr.1378, Pr.1380	
230	330	Y230	PID input pressure fault	Output when the pump inlet pressure reaches the fault level.	Pr.1370, Pr.1377, Pr.1379, Pr.1381	
242 ^⑦	342 ^⑦	LNK	Inverter-to-inverter linkup signal	Available to check that the master-slave communication is established.	Pr. 1124, Pr. 1125	5-635
9999	—	—	No function	—	—	—

Tab. 5-101: Output terminal function assignment (5)

- ① Take caution when changing the frequency setting with an analog signal or the setting dial of the operation panel (FR-DU08), because this change speed and the timing of the change speed determined by the acceleration/deceleration time setting may cause the output of the SU (up to frequency) signal to switch repeatedly between ON and OFF. (This repeating does not occur when the acceleration/deceleration time setting is "0 s".)
- ② The setting is available only for standard models.
- ③ This signal cannot be assigned to the output terminals for plug-in options (FR-A8AY, FR-A8AR).
- ④ Available when the plug-in option is connected.
- ⑤ This can be set for Pr. 313 to Pr. 322 when an option (FR-A8AY, FR-A8AR, FR-A8NC, or FR-A8NCE) is installed. For the corresponding parameters of each option, refer to the Instruction Manual of the option.
- ⑥ When the power is reset, the fault output 2 signal (ALM2) turns OFF at the same time as the power turns OFF.
- ⑦ FR-F800-E only.

NOTES

The same function may be set to more than one terminal

The terminal conducts during function operation when the setting is "0 to 99, 200 to 299", and does not conduct when the setting is "100 to 199, 300 to 399".

When Pr. 76 "Fault code output selection" = "1", the output signals of terminals SU, IPF, OL and FU operate according to Pr. 76 setting. (When the inverter's protective function is activated, the signal output switches to fault code output.)

The outputs of terminal RUN and the fault output relay are assigned according to the settings above, regardless of Pr. 76.

Changing the terminal assignment using Pr. 190 to Pr. 196 (output terminal function selection) may affect the other functions. Set parameters after confirming the function of each terminal.

Do not assign signals which repeat frequently between ON and OFF to terminals A1B1C1 or A2B2C2. The life of the relay contacts will be shortened.

Adjusting the output terminal response level (Pr. 289)

The response level of the output terminals can be delayed in a range of 5 to 50 ms. (Operation example for the RUN signal.)

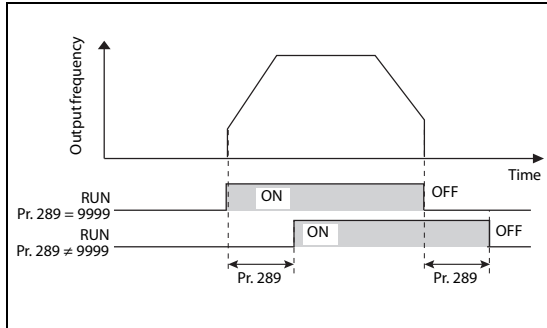


Fig. 5-94:
Adjusting the RUN signal response level

1002620E

NOTES

When Pr. 157 "OL signal output timer" is set for the Overload warning (OL) signal output, the OL signal is output when the set time of (Pr. 157 + Pr. 289) elapses.

For the output signal and the fault code output (on page 5-249) used in the PLC function (on page 5-439), the Pr. 289 setting is invalid (no filter).

Inverter operation ready signals (RY signal) and inverter running signals (RUN, RUN3 signals)

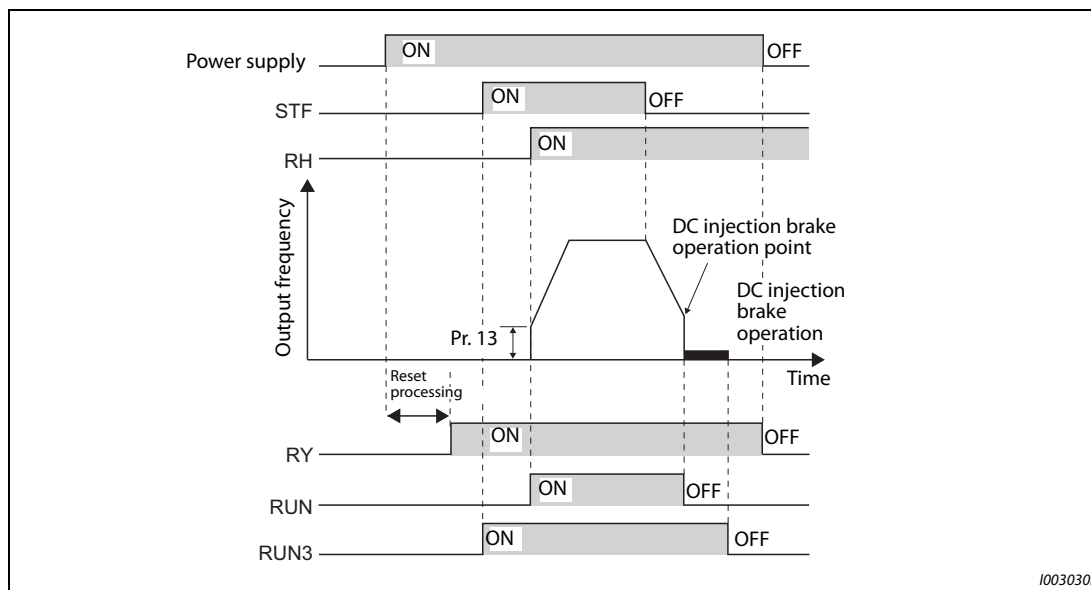


Fig. 5-95: Ready and motor running signals

- When the inverter is ready for operation, the Inverter operation ready (RY) signal turns ON (stays ON during operation.)
- When the inverter output frequency reaches Pr. 13 "Starting frequency" or higher, the Inverter running (RUN) signals turn ON. The signal is OFF while the inverter is stopped and during DC injection brake operation.
- The Inverter running and start command is ON (RUN3) signal is ON while the inverter is running or the start signal is ON. (When the start command is ON, the RUN3 signal output turns ON even while the inverter's protective function is activated or the MRS is ON.) During DC injection brake operation as well, the output is ON, and when the inverter stops, it turns OFF.

● According to the inverter condition, the ON/OFF operation of each signal is as shown below.

Output signal	Start signal OFF (during stop)	Start signal ON (during stop)	Start signal ON (running)	DC injection brake operation	Output shutoff ②		Automatic restart after instantaneous power failure		
					Start signal ON	Start signal OFF	Coasting		Restarting
							Start signal ON	Start signal OFF	
RY ③	ON	ON	ON	ON	OFF		ON ①		ON
RUN	OFF	OFF	ON	OFF	OFF		OFF		ON
RUN3	OFF	ON	ON	ON	ON	OFF	ON	OFF	ON

Tab. 5-102: Output signal output

- ① OFF during power failure or undervoltage.
- ② Output is shutoff in conditions like a fault and when the MRS signal is ON.
- ③ OFF while power is not supplied to the main circuit power supply.

- When using the RY, RUN, and RUN3 signals, refer to the following and assign the functions by Pr. 190 to Pr. 196 (output terminal function selection).

Output signal	Pr. 190 to Pr. 196 settings	
	Positive logic	Negative logic
RY	11	111
RUN	0	100
RUN3	45	145

Tab. 5-103: Assignment of the signals

NOTE

The RUN signal (positive logic) is assigned to the terminal RUN in the initial status.

Fault output signals (ALM, ALM2)

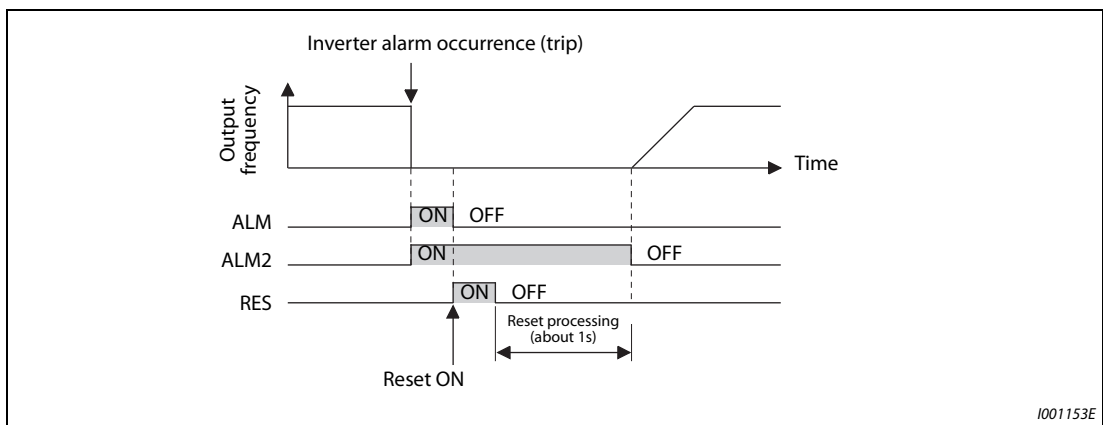


Fig. 5-96: Fault signals

- The Fault (ALM, ALM2) signals are output when the inverter protective function is activated.
- The ALM2 signal stays ON during the reset period after the fault occurs.
- To use the ALM2 signal, set "94 (positive logic) or 194 (negative logic)" in any of Pr. 190 to Pr. 196 (output terminal function selection) to assign the function to the output terminal.
- The ALM signal is assigned to the A1B1C1 contacts in the initial status.

NOTE

For the inverter fault details, refer to page 6-9.

Input MC shutoff signal (Y91)

- The Fault output 3 (Y91) signal is output when a fault originating in the inverter circuit or a connection fault occurs.
- To use the Y91 signal, set "91 (positive logic) or 191 (negative logic)" in any of Pr. 190 to Pr. 196 (output terminal function selection) to assign the function to the output terminal.
- The following table shows the faults that output the Y91 signal. (For the fault details, refer to page 6-9.)

Fault record
Inrush current limit circuit fault (E.IOH)
CPU fault (E.CPU)
CPU fault (E.6)
CPU fault (E.7)
Parameter storage device fault (E.PE)
Parameter storage device fault (E.PE2)
24 V DC power fault (E.P24)
Operation panel power supply short circuit
RS-485 terminal power supply short circuit (E.CTE)
Output side earth (ground) fault overcurrent (E.GF)
Output phase loss (E.LF)
Brake transistor alarm detection (E.BE)
Internal circuit fault(E.13/E.PBT)

Tab. 5-104: Faults that lead to Y91 signal output

Parameters referred to			
Pr. 13	Starting frequency	=>	page 5-115, page 5-117
Pr. 76	Fault code output selection	=>	page 5-252

5.8.7 Output frequency detection

The inverter output frequency is detected and output as output signals.

Pr.	Name	Initial value		Setting range	Description
		FM	CA		
41 M441	Up-to-frequency sensitivity	10%		0 to 100%	Set the level where the SU signal turns ON.
42 M442	Output frequency detection	6 Hz		0 to 590 Hz	Set the frequency where the FU (FB) signal turns ON.
43 M443	Output frequency detection for reverse rotation	9999		0 to 590 Hz	Set the frequency where the FU (FB) signal turns ON in reverse rotation.
				9999	Same as the Pr. 42 setting.
50 M444	Second output frequency detection	30 Hz		0 to 590 Hz	Set the frequency where the FU2 (FB2) signal turns ON.
870 M400	Speed detection hysteresis	0 Hz		0 to 5 Hz	Set the hysteresis width for the detected frequency.

Output up-to-frequency sensitivity (SU signal, Pr. 41)

- Up to frequency (SU) is output when the output frequency reaches the set frequency.
- The Pr. 41 value can be adjusted within the range $\pm 1\%$ to $\pm 100\%$ considering the set frequency as 100%.
- This parameter can be used to check that the set frequency has been reached, and provide signals such as the operation start signal for related equipment.

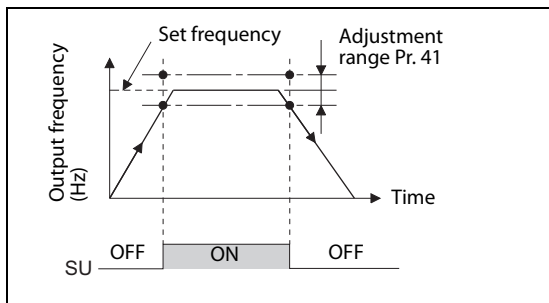


Fig. 5-97:
Output of the SU signal

1002626E

**Output frequency detection
(FU (FB) signal, FU2 (FB2) signal, Pr. 42, Pr. 43, Pr. 50)**

- Output frequency detection (FU (FB)) is output when the output frequency reaches the Pr. 42 setting or higher.
- The FU (FU2) signals can be used for electromagnetic brake operation, opening, etc. The FU (FU2) signal is output when the output frequency (frequency command) reaches the set frequency.
- During PM motor control, the FB (FB2) signal is output when the estimated actual motor speed reaches the set frequency (speed). Under V/F control and Advanced magnetic flux vector control, the FU signal and the FB signal are output at the same time.
- Frequency detection that is dedicated to reverse rotation can be set by setting the detection frequency in Pr. 43. This is useful for changing the timing of the electromagnetic brake operation during forward rotation (lifting) and reverse rotation (lowering) in operations such as lift operation.
- When Pr. 43 ≠ "9999", forward rotation uses the Pr. 42 setting and reverse rotation uses the Pr. 43 setting.
- When outputting a frequency detection signal separately from the FU (FB) signal, set the detection frequency in Pr. 50. When the output frequency reaches the Pr. 50 setting or higher, the FU2 (FB2) signal is output.

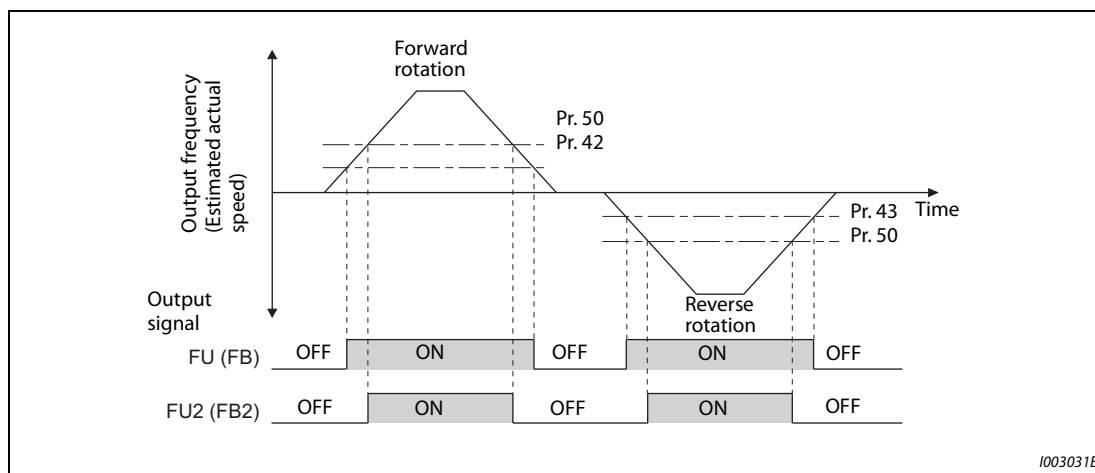


Fig. 5-98: Frequency detection for forward and reverse rotation

- For each signal, refer to the following table and assign the function by Pr. 190 to Pr. 196 (output terminal function selection).

Output signal	Pr. 190 to Pr. 196 settings		Related parameter
	Positive logic	Negative logic	
FU	4	104	42, 43
FB	41	141	
FU2	5	105	50
FB2	42	142	

Tab. 5-105: Parameter setting for frequency detection for forward and reverse rotation

Speed detection hysteresis (Pr. 870)

This function prevents chattering of the speed detection signals. When an output frequency fluctuates, the up to frequency signal (SU) and the speed detection signals (FB and FB2) may repeat ON/OFF (chatter).

Setting hysteresis to the detected frequency prevents chattering of these signals.

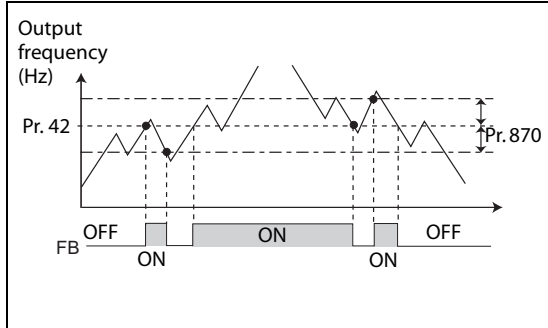
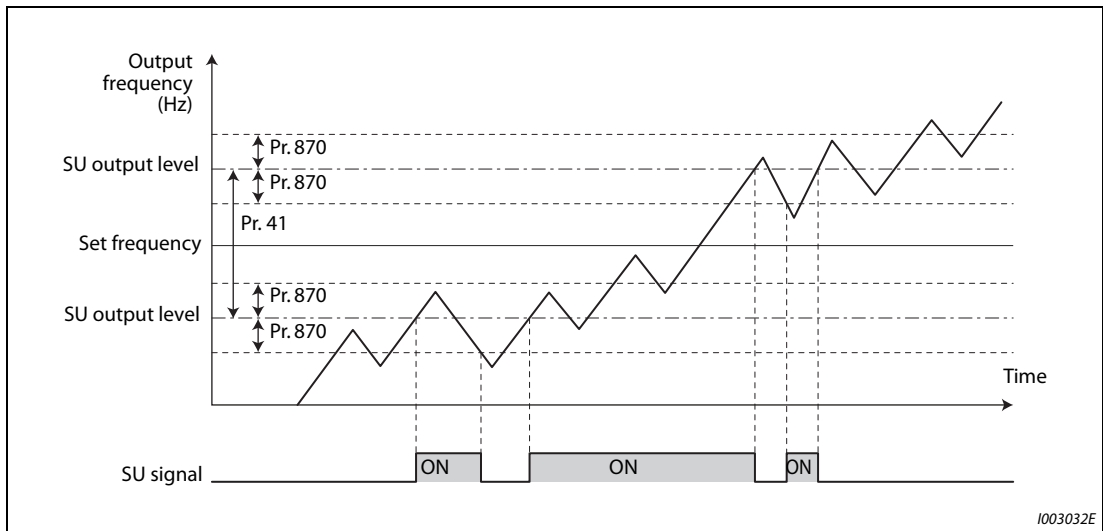


Fig. 5-99:
Example of the speed detection (FB) signal

1002629E



1003032E

Fig. 5-100: Example of the up to frequency (SU) signal

NOTES

In the initial setting, the FU signal is assigned to the terminal FU, and the SU signal is assigned to the terminal SU.

All signals turn OFF during DC injection brake, and tuning at start-up.

Each signal's reference frequency differs by the control method.

Control method	Compared frequency	
	FU, FU2	FB, FB2, SU
V/F control	Output frequency	Output frequency
Advanced magnetic flux vector control	Output frequency before the slip compensation	Output frequency before the slip compensation
PM motor control	Frequency command value	Estimated frequency (actual motor speed)

Setting a higher value in Pr. 870 slows the response of frequency detection signals (SU, FB, FB2).

Changing the terminal assignment using Pr. 190 to Pr. 196 (output terminal function selection) may affect the other functions. Set parameters after confirming the function of each terminal.

Parameters referred to		
Pr. 190 to Pr. 196	(output terminal function selection)	=> page 5-231

5.8.8 Output current detection function

The output current during inverter running can be detected and output to the output terminal.

Pr.	Name	Initial value		Setting range	Description
		FM	CA		
150 M460	Output current detection level	120%	110%	0 to 220%	Set the output current detection level. 100% is the inverter rated current.
151 M461	Output current detection signal delay time	0s		0 to 10 s	Set the output current detection time. Set the time from when the output current reaches the setting or higher until the output current detection (Y12) signal is output.
152 M462	Zero current detection level	5%		0 to 220%	Set the zero current detection level. The inverter rated current is regarded as 100%.
153 M463	Zero current detection time	0.5s		0 to 10 s	Set the time from when the output current drops to the Pr. 152 setting or lower until the zero current detection (Y13) signal is output.
166 M433	Output current detection signal retention time	0.1s		0 to 10 s	Set the retention time when the Y12 signal is ON.
				9999	Retain the Y12 signal ON status. The signal is turned OFF at the next start.
167 M464	Output current detection operation selection	0		0, 1, 10, 11	Select the operation at turn ON of the Y12 and Y13 signals.

Output current detection (Y12 signal, Pr. 150, Pr. 151, Pr. 166, Pr. 167)

- The output current detection function can be used for purposes such as overtorque detection.
- If the output during inverter running remains higher than the Pr. 150 setting for the time set in Pr. 151 or longer, the Output current detection (Y12) signal is output from the inverter's open collector or relay output terminal.
- When the Y12 signal turns ON, the ON state is retained for the time set in Pr. 166.
- When Pr. 166 = "9999", the ON state is retained until the next start.
- Setting Pr. 167 = "1" while the Y12 signal is ON does not cause E.CDO. The Pr. 167 setting becomes valid after the Y12 signal is turned OFF.
- For the Y12 signal, set "12 (positive logic) or 112 (negative logic)" in any of Pr. 190 to Pr. 196 (output terminal function selection) to assign the function to the output terminal.

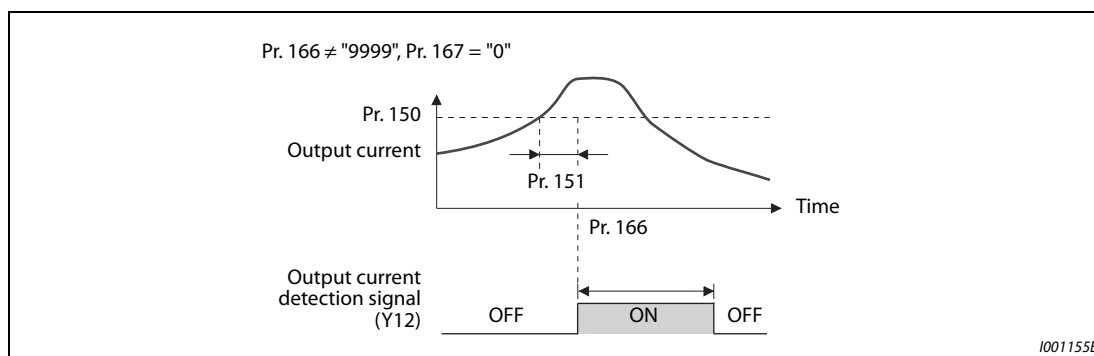


Fig. 5-101: Output current detection (Pr. 166 ≠ 9999, Pr. 167 = 0)

- Select whether the inverter output stops or the inverter operation continues when Y12 signal turns ON, by setting Pr.167.

Pr. 167 setting	When Y12 signal turns ON	When Y13 signal turns ON
0 (Initial value)	Continuous operation	Continuous operation
1	Inverter trip (E.CDO)	Continuous operation
10	Continuous operation	Inverter trip (E.CDO)
11	Inverter trip (E.CDO)	Inverter trip (E.CDO)

Tab. 5-106: Selecting the behaviour of the inverter output at switching of Y12 and Y13

Zero current detection (Y13 signal, Pr. 152, Pr. 153)

- If the output during inverter running remains lower than the Pr. 152 setting for the time set in Pr. 153 or longer, the Zero current detection (Y13) signal is output from the inverter's open collector or relay output terminal.
- Once turned ON, the zero current detection time signal (Y13) is held ON for at least 0.1s.
- If the inverter output current drops to "0", because torque is not generated, slippage due to gravity may occur, especially in a lift application. To prevent this, the Y13 signal, which closes the mechanical brake at "0" output current, can be output from the inverter.
- For the Y13 signal, set "13 (positive logic) or 113 (negative logic)" in any of Pr. 190 to Pr. 196 (output terminal function selection) to assign the function to the output terminal.
- Select whether the inverter output stops or the inverter operation continues when Y13 signal turns ON, by setting Pr.167.

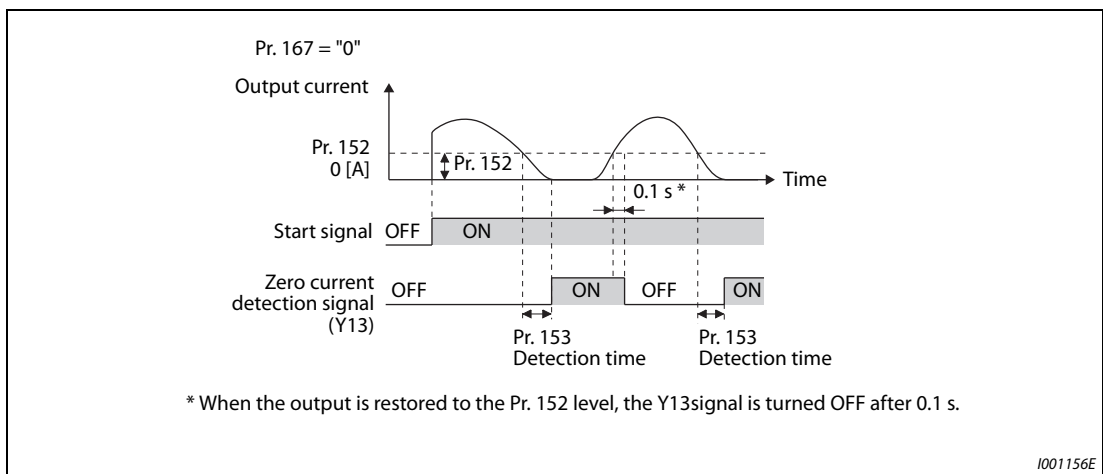


Fig. 5-102: Zero current detection

NOTES

- ▮ The signals are enabled even when online or offline auto tuning is being executed.
- ▮ The response time of the Y12 and Y13 signals is approximately 0.1 s. Note that the response time varies with the load.
- ▮ When Pr. 152 = "0", detection is disabled.
- ▮ Changing the terminal assignment using Pr. 190 to Pr. 196 (output terminal function selection) may affect the other functions. Set parameters after confirming the function of each terminal.



CAUTION:

- *The zero current detection level setting should not be too low, and the zero current detection time setting not too long. When the output current is low and torque is not generated, the detection signal may not be output.*
- *Even when using the zero current detection signal, a safety backup such as an emergency brake must be provided to prevent hazardous machine or equipment conditions.*

Parameters referred to		
	Online auto tuning	=> page 5-327
	Offline auto tuning	=> page 5-45, page 5-316
Pr. 190 to Pr. 196	(output terminal function selection)	=> page 5-231

5.8.9 Output torque detection

A signal is output when the motor torque is higher than the setting.
 This function can be used for electromagnetic brake operation, open signal, etc.

Pr.	Name	Initial value	Setting range	Description
864 M470	Torque detection	150%	0 to 400%	Set the torque value where the TU signal turns ON.

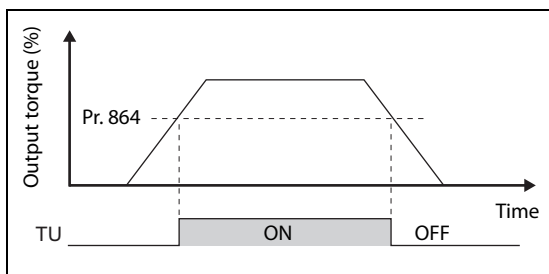


Fig. 5-103:
Torque detection

1002630E

- The Torque detection (TU) signal turns ON when the output torque reaches the detection torque value set in Pr. 864 or higher. The TU signal turns OFF when the output torque drops lower than the detection torque value.
- Pr. 864 is not available under V/F control.
- For the TU signal, set "35 (positive logic) or 135 (negative logic)" in one of Pr. 190 to Pr. 196 (output terminal function selection) to assign the function to the output terminal.

NOTE

Changing the terminal assignment using Pr. 190 to Pr. 196 (output terminal function selection) may affect the other functions. Set parameters after confirming the function of each terminal.

Parameters referred to		
Pr. 190 to Pr. 196	(output terminal function selection)	=> page 5-231

5.8.10 Remote output function

The inverter output signals can be turned ON/OFF like the remote output terminals of a programmable controller.

Pr.	Name	Initial value	Setting range	Description
495 M500	Remote output selection	0	0	Remote output data is cleared when the power supply is turned OFF
			1	Remote output data is retained when the power supply is turned OFF
			10	Remote output data is cleared when the power supply is turned OFF
			11	Remote output data is retained when the power supply is turned OFF
496 M501	Remote output data 1	0	0 to 4095	Set values for the bits corresponding to each output terminal of the inverter output terminal. (Refer to the diagram below.)
497 M502	Remote output data 2	0	0 to 4095	Set values for the bits corresponding to each output terminal of options FR-A8AY and FR-A8AR. (Refer to the diagram below.)

Remote output setting (REM signal, Pr. 496, Pr. 497)

- The output terminal can be turned ON/OFF with the Pr. 496 and Pr. 497 settings. ON/OFF control can be performed for the remote output terminal via the PU connector, RS-485 terminals and communication option.
- To assign the Remote output (REM) signal to the terminal to be used for remote output, set "96 (positive logic) or 196 (negative logic)" in any of Pr. 190 to Pr. 196 (output terminal function selection).
- Refer to the fig. 5-104, and set "1" in the terminal bit (terminal with the REM signal assigned) of Pr. 496 or Pr. 497 to turn ON the output terminal (OFF when using negative logic). Set "0" to turn OFF the output terminal (ON when using negative logic).
- For example, when Pr. 190 "RUN terminal function selection" = "96" (positive logic) and "1" (H01) is set in Pr. 496, the terminal RUN turns ON.

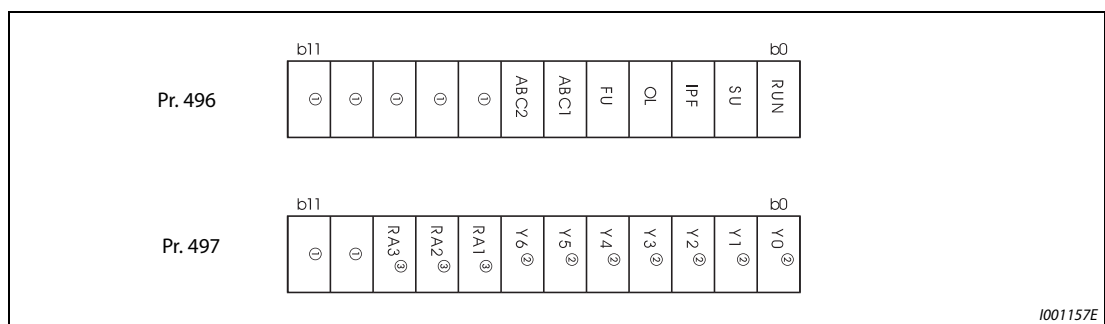
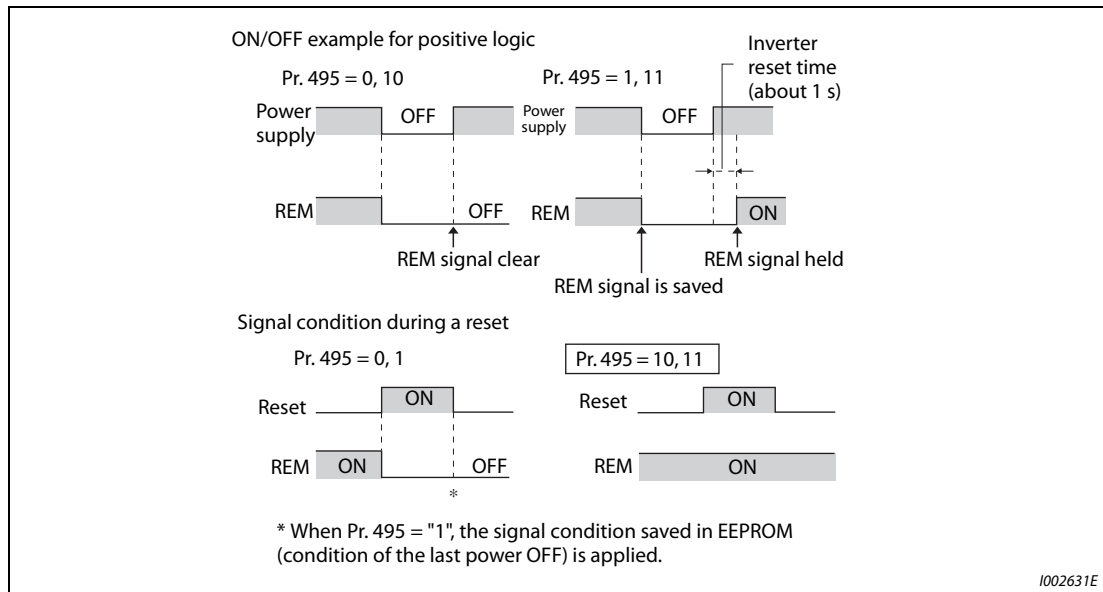


Fig. 5-104: Remote output data

- ① Any value.
- ② Y0 to Y6 are available when the extension output option (FR-A8AY) is installed.
- ③ RA1 to RA3 are available when the relay output option (FR-A8AR) is installed.

Remote output data retention (REM signal, Pr. 495)

- If the power supply is reset (including a power failure) while Pr. 495 = "0 (initial value) or 10", the REM signal output is cleared. (The terminal ON/OFF status is determined by the settings in Pr. 190 to Pr. 196.) "0" is also set in Pr. 496 and Pr. 497.
- When Pr. 495 = "1 or 11", the remote output data is saved in EEPROM before the power supply is turned OFF. This means that the signal output after power restoration is the same as before the power supply was turned OFF. However, when Pr. 495 = "1", the data is not saved during an inverter reset (terminal reset, reset request via communication).
- When Pr. 495 = "10 or 11", the signal before the reset is saved even during an inverter reset.

**Fig. 5-105:** ON/OFF example for positive logic**NOTES**

The output terminals that have not been assigned with a REM signal by Pr. 190 to Pr. 196 do not turn ON/OFF even if "0 or 1" is set in the terminal bits of Pr. 496 and Pr. 497. (ON/OFF is performed with the assigned functions.)

When Pr. 495 = "1 or 11" (remote output data retention at power OFF), take measures such as connecting R1/L11 with P/+, and S1/L21 with N/- so that the control power is retained. If the control power is not retained, the output signal after turning ON the power is not guaranteed to work. When connecting the high power factor converter FR-HC2 or the converter unit FR-CC2, assign the instantaneous power failure detection (X11) signal to an input terminal to input the IPF signal from the FR-HC2/FR-CC2 to the terminal for X11 signal.

Parameters referred to

Pr. 190 to Pr. 196 (output terminal function selection)

=> page 5-231

5.8.11 Analog remote output function

An analog value can be output from the analog output terminal.

Pr.	Name	Initial value	Setting range	Description
655 M530	Analog remote output selection	0	0	Remote output data is cleared when the power supply is turned OFF
			1	Remote output data is retained when the power supply is turned OFF
			10	Remote output data is cleared when the power supply is turned OFF
			11	Remote output data is retained when the power supply is turned OFF
656 M531	Analog remote output 1	1000%	800 to 1200%	Value output from the terminal set as "87" in terminal function selection (Pr. 54, Pr. 158)
657 M532	Analog remote output 2	1000%	800 to 1200%	Value output from the terminal set as "88" in terminal function selection (Pr. 54, Pr. 158)
658 M533	Analog remote output 3	1000%	800 to 1200%	Value output from the terminal set as "89" in terminal function selection (Pr. 54, Pr. 158)
659 M534	Analog remote output 4	1000%	800 to 1200%	Value output from the terminal set as "90" in terminal function selection (Pr. 54, Pr. 158)

Analog remote output (Pr. 656 to Pr. 659)

- The terminals FM/CA, AM and the analog output terminal of the option FR-A8AY can output the values set in Pr. 656 to Pr. 659 (Analog remote output).
- When Pr. 54 "FM/CA terminal function selection" = "87, 88, 89, or 90" (remote output), the FM type inverter can output a pulse train from the terminal FM.
- For FM output (Pr. 291 "Pulse train I/O selection" = "0 (initial value) or 1"):

$$\text{Terminal FM output [pulses/s]} = 1440 \text{ [Hz]} \times (\text{analog remote output value} - 1000)/100$$
 Where the output range is 0 to 2400 pulses/s.
- For high-speed pulse output (Pr. 291 "Pulse train I/O selection" = "10, 11, 20, or 21"):

$$\text{Terminal FM output [pulses/s]} = 50\text{K [Hz]} \times (\text{analog remote output value} - 1000)/100$$
 Where the output range is 0 to 55K pulses/s.

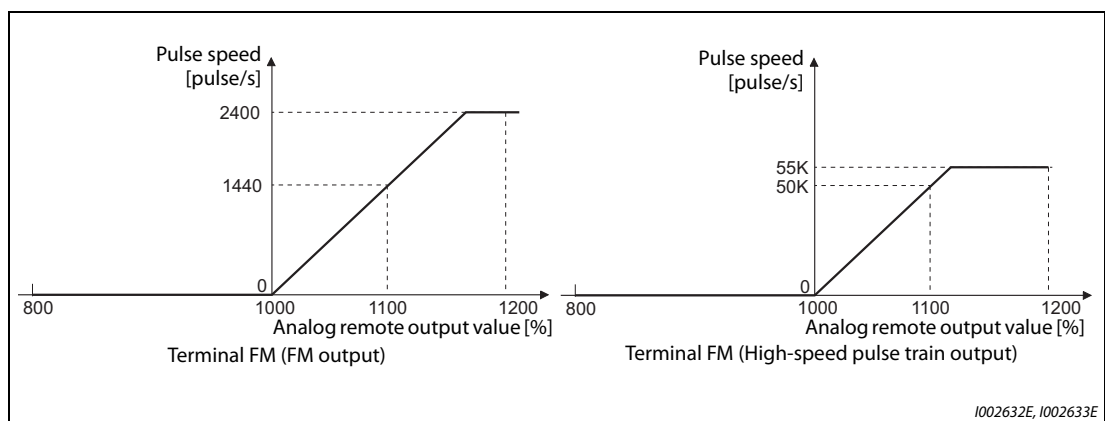


Fig. 5-106: Terminal FM output

- When Pr. 54 "FM/CA terminal function selection" = "87, 88, 89, or 90" (remote output), the CA type inverter can output any analog current from the terminal CA.
- Terminal CA output [mA] = $20 \text{ [mA]} \times (\text{analog remote output value} - 1000)/100$
Where the output range is 0 to 20 mA.

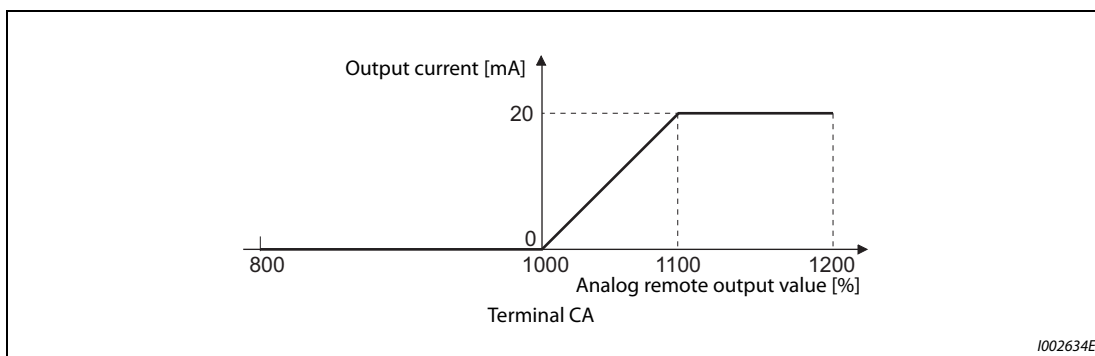


Fig. 5-107: Terminal CA output

- When Pr. 158 "AM terminal function selection" = "87, 88, 89, or 90", an analog voltage can be output from the terminal AM.
- Terminal AM output [V] = $10 \text{ [V]} \times (\text{analog remote output value} - 1000)/100$
The output range is -10 V to +10 V regardless of the Pr. 290 "Monitor negative output selection" setting.

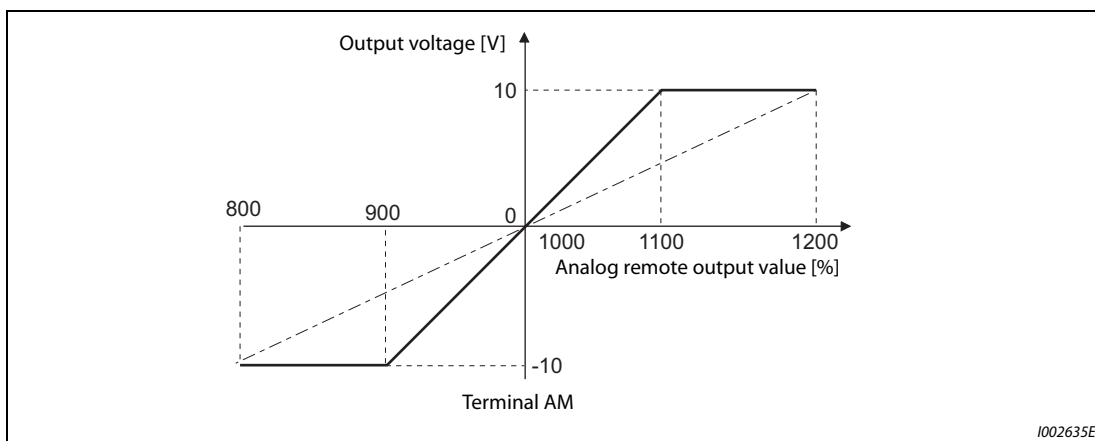
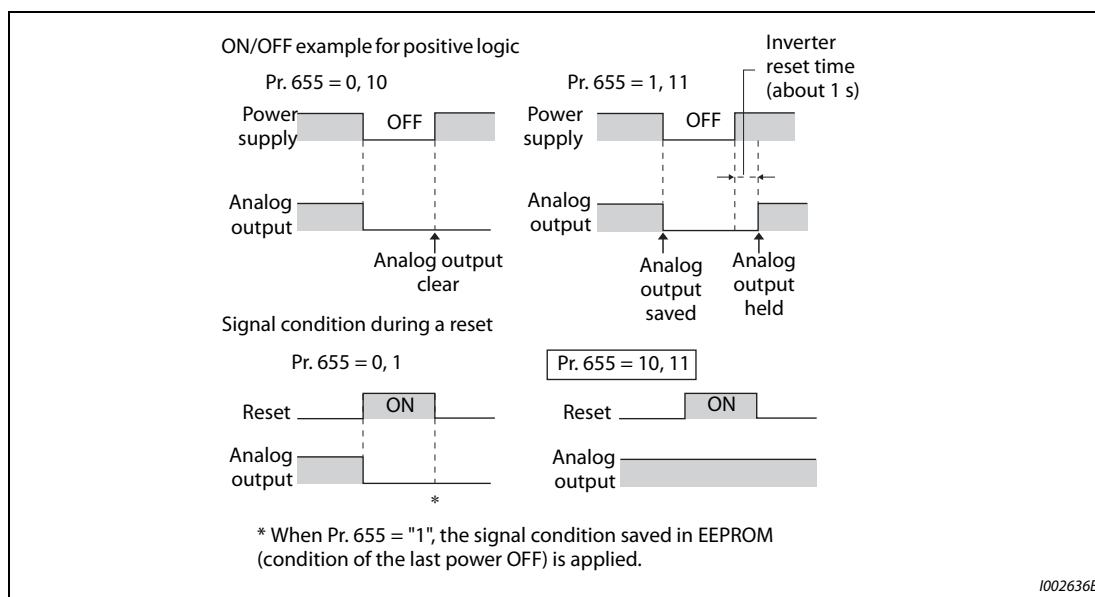


Fig. 5-108: Terminal AM output

Analog remote output data retention (Pr. 655)

- When the power supply is reset (including a power failure) while Pr. 655 "Analog remote output selection" = "0" (initial value) or 10" and, the remote analog output (Pr. 656 to Pr. 659) returns to its initial value (1000%).
- When Pr. 655 = "1 or 11", the analog remote output data is saved in EEPROM before the power supply is turned OFF. This means that the analog value output after power restoration is the same as before the power supply was turned OFF. However, when Pr. 655 = "1", the data is not saved during an inverter reset (terminal reset, reset request via communication).
- When Pr. 655 = "10 or 11", the analog output before the reset is saved even during an inverter reset.
- When the setting in Pr. 655 is changed, the remote analog output (Pr. 656 to Pr. 659) returns to its initial value (1000%).

**Fig. 5-109:** Analog remote output data retention**NOTE**

When Pr. 655 = "1 or 11" (remote analog output data retention at power OFF), take measures such as connecting R1/L11 with P/+, and S1/L21 with N/- so that the control power is retained (while power is supplied to R/L1, S/L2 and T/L3). If the control power is not retained, the analog output after turning ON the power is not guaranteed to work. When connecting the high power factor converter FR-HC2, assign the instantaneous power failure detection (X11) signal to an input terminal to input the IPF signal from the FR-HC2 to the terminal for X11 signal.

Parameters referred to			
Pr. 54	FM/CA terminal function selection	=>	page 5-211
Pr. 158	AM terminal function selection	=>	page 5-211
Pr. 290	Monitor negative output selection	=>	page 5-211
Pr. 291	Pulse train I/O selection	=>	page 5-211

5.8.12 Fault code output selection

When a fault occurs, the corresponding data can be output as a 4-bit digital signal using via an open collector output terminal.

The fault code can be read using an input module of programmable controller, etc.

Pr.	Name	Initial value	Setting range	Description
76 M510	Fault code output selection	0	0	Without fault code output
			1	With fault code output (Refer to the table below.)
			2	Fault code is output only when a fault occurs. (Refer to the table below.)

- Fault codes can be output to the output terminals by setting Pr. 76 "Fault code output selection" = "1 or 2".
- When the setting is "2", a fault code is only output when a fault occurs. In normal operation the terminal outputs the signal assigned in Pr. 191 to Pr. 194 (output terminal function selection).
- The fault codes that can be output are shown in the table below.
(0: Output transistor OFF, 1: Output transistor ON)

Operation panel indication (FR-DU08)	Output terminal operation				Fault code
	SU	IPF	OL	FU	
Normal ①	0	0	0	0	0
E.OC1	0	0	0	1	1
E.OC2	0	0	1	0	2
E.OC3	0	0	1	1	3
E.OV1 to E.OV3	0	1	0	0	4
E.THM	0	1	0	1	5
E.THT	0	1	1	0	6
E.IPF	0	1	1	1	7
E.UVT	1	0	0	0	8
E.FIN	1	0	0	1	9
E.BE	1	0	1	0	A
E. GF	1	0	1	1	B
E.OHT	1	1	0	0	C
E.OLT	1	1	0	1	D
E.OPT E.OP1	1	1	1	0	E
Other than the above	1	1	1	1	F

Tab. 5-107: Alarm codes

① When Pr. 76 = "2", the terminal outputs the signal assigned by Pr. 191 to Pr. 194.

NOTE

If an error occurs while Pr. 76 ≠ "0", the output terminals SU, IPF, OL, and FU output the signals in the table above regardless of the settings in Pr. 191 to Pr. 194 (output terminal function selection). Take caution when controlling the inverter with the output signals set by Pr. 191 to Pr. 194.

Parameters referred to	
Pr. 190 to Pr. 196 (output terminal function selection)	=> page 5-231

5.8.13 Pulse train output of output power

After power ON or inverter reset, output signal (Y79 signal) is output in pulses every time accumulated output power, which is counted after the Pr. 799 "Pulse increment setting for output power" is set, reaches the specified value (or its integral multiples).

Pr.	Name	Initial value	Setting range	Description
799 M520	Pulse increment setting for output power	1 kWh	0.1 kWh, 1 kWh, 10 kWh, 100 kWh, 1000 kWh	Pulse train output of output power (Y79) is output in pulses at every output power (kWh) that is specified.

Pulse increment setting for output power (Y79 signal, Pr. 799)

- After power ON or inverter reset, output signal (Y79 signal) is output in pulses every time accumulated output power of the inverter exceeds Pr. 799 "Pulse increment setting for output power".
- The inverter continues to count the output power at retry function or when automatic restart after instantaneous power failure function works without power OFF of output power (power failure that is too short to cause an inverter reset), and it does not reset the count.
- If power failure occurs, output power is counted from 0 kWh again.
- Assign pulse output of output power (Y79: setting value 79 (positive logic), 179 (negative logic)) to any of Pr. 190 to Pr. 196 (Output terminal function selection).

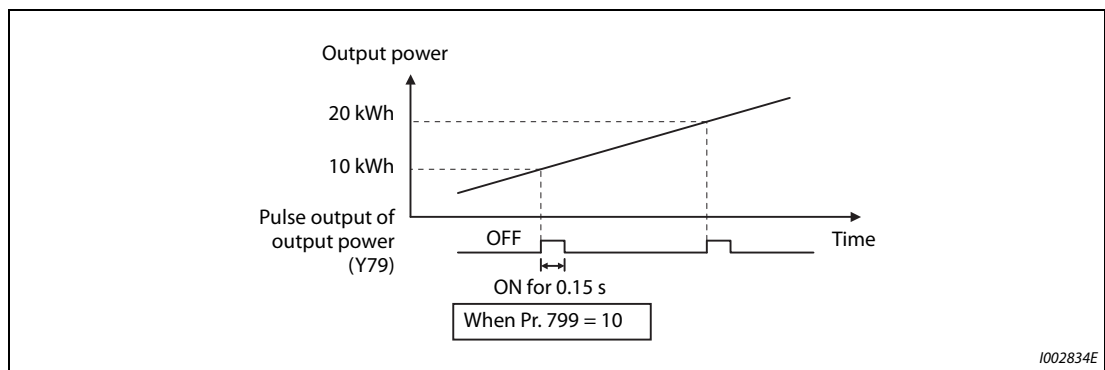


Fig. 5-110: Pulse train output of output power

NOTES

Because the accumulated data in the inverter is cleared when control power is lost by power failure or at an inverter reset, the value on the monitor cannot be used to charge electricity bill.

Changing the terminal assignment using Pr. 190 to Pr. 196 (output terminal function selection) may affect the other functions. Set parameters after confirming the function of each terminal. (Refer to page 5-231.)

In an application where the pulse outputs are frequently turned ON/OFF, do not assign the signal to the terminal ABC1 or ABC2.

Otherwise, the life of the relay contact decreases.

Parameters referred to		
Pr. 190 to Pr. 196	(output terminal function selection)	=> page 5-231

5.8.14 Detection of control circuit temperature

The temperature of the control circuit board can be monitored, and a signal can be output according to the predetermined temperature setting.

Pr.	Name	Initial value	Setting range	Description
663 M060	Control circuit temperature signal output level	0 °C	0 to 100 °C	Set the temperature where the Y207 signal turns ON.

Control circuit temperature monitor

- The operation panel, terminal FM/CA, or terminal AM can be used to monitor the temperature of the control circuit board within the range of 0 to 100 °C.
- When monitoring with the operation panel or terminal AM, the range becomes –20 to 100 °C by setting the display/output with a minus sign in Pr. 290 "Monitor negative output selection".

Control circuit temperature detection (Pr. 663, Y207 signal)

- The Y207 signal can be output when the control circuit temperature reaches the Pr. 663 setting or higher.
- For the Y207 signal, set "207 (positive logic) or 307 (negative logic)" in one of Pr. 190 to Pr. 196 (output terminal function selection) to assign the function to the output terminal.

NOTES

The Y207 signal is turned OFF when the control circuit temperature becomes 5 °C or more lower than the Pr. 663 setting.

Changing the terminal assignment using Pr. 190 to Pr. 196 (output terminal function selection) may affect the other functions. Set parameters after confirming the function of each terminal.

Parameters referred to			
Pr. 54	FM/CA terminal function selection	=>	page 5-211
Pr. 158	AM terminal function selection	=>	page 5-211
Pr. 190 to Pr. 196	(output terminal function selection)	=>	page 5-231
Pr. 290	Monitor negative output selection	=>	page 5-211

5.9 (T) Multi-Function Input Terminal Parameters

Purpose	Parameter to set			Refer to page
To inverse the rotation direction with the voltage/current analog input selection (terminals 1, 2, and 4)	Analog input selection	P.T000, P.T001	Pr. 73, Pr. 267	5-255
To assign functions to analog input terminals	Terminal 1 and terminal 4 function assignment	P.T010, P.T040	Pr. 858, Pr. 868	5-260
To adjust the main speed by the analog auxiliary input	Analog auxiliary input and compensation (addition compensation and override functions)	P.T021, P.T031, P.T050, P.T051	Pr. 73, Pr. 242, Pr. 243, Pr. 252, Pr. 253	5-261
To eliminate noise on analog inputs	Analog input filter	P.T002, P.T003, P.T005, P.T007	Pr. 74, Pr. 822, Pr. 832, Pr. 849	5-264
To adjust analog input frequency/voltage (current) (calibration)	Frequency setting voltage (current) bias and gain	P.T100 to P.T103, P.T200 to P.T203, P.T400 to P.T403, P.M043	Pr. 125, Pr. 126, Pr. 241, C2 to C7 (Pr. 902 to Pr. 905), C12 to C15 (Pr. 917 to Pr. 918)	5-266
To adjust voltage (current) of stall prevention operation level (calibration)	Stall prevention operation level setting voltage (current) bias and gain	P.T110 to P.T113, P.T410 to P.T413, P.M043	Pr. 241, C16 to C19 (Pr. 919 to Pr. 920), C38 to C41 (Pr. 932 to Pr. 933)	5-273
To continue operating at analog current input loss	4-mA input check	P.T052 to P.T054	Pr. 573, Pr. 777, Pr. 778	5-264
To assign functions to input terminals	Input terminal function selection	P.T700 to P.T711, P.T740	Pr. 178 to Pr. 189, Pr. 699	5-285
To change the input specification (NO/NC contact) of input signals	Output stop signal (MRS) input selection	P.T720	Pr. 17	5-289
	Inverter run enable signal (X10) input selection	P.T721	Pr. 599	5-555
	Power failure stop external signal (X48) input selection	P.T722	Pr. 606	5-437
To enable the second function only during the constant speed	RT signal application period selection	P.T730	Pr. 155	5-291
To assign start and forward/reverse commands to different signals	Start signal (STF/STR) operation selection	P.G106	Pr. 250	5-293

5.9.1 Analog input selection

The functions to switch the analog input terminal specifications, override function, forward/reverse rotation by the input signal polarity are selectable.

Pr.	Name	Initial value	Setting range		Description
73 T000	Analog input selection	1	0 to 5, 10 to 15	Switch 1 - OFF (initial status)	The terminal 2 input specification (0 to 5 V, 0 to 10 V, 0 to 20 mA) and terminal 1 input specification (0 to ± 5 V, 0 to ± 10 V) are selectable. Also the override and reversible operation settings are selectable.
			6, 7, 16, 17	Switch 1 - ON	
267 T001	Terminal 4 input selection	0	0	Switch 2 - ON (initial status)	Terminal 4 input, 4 to 20 mA
			1	Switch 2 - OFF	Terminal 4 input, 0 to 5 V
			2		Terminal 4 input, 0 to 10 V

Analog input specification selection

- Concerning the terminals 2 and 4 used for analog input, the voltage input (0 to 5 V, 0 to 10 V) and current input (0 to 20 mA) are selectable. To change the input specification, change the parameters (Pr. 73, Pr. 267) and voltage/current input switch settings (switches 1, 2).

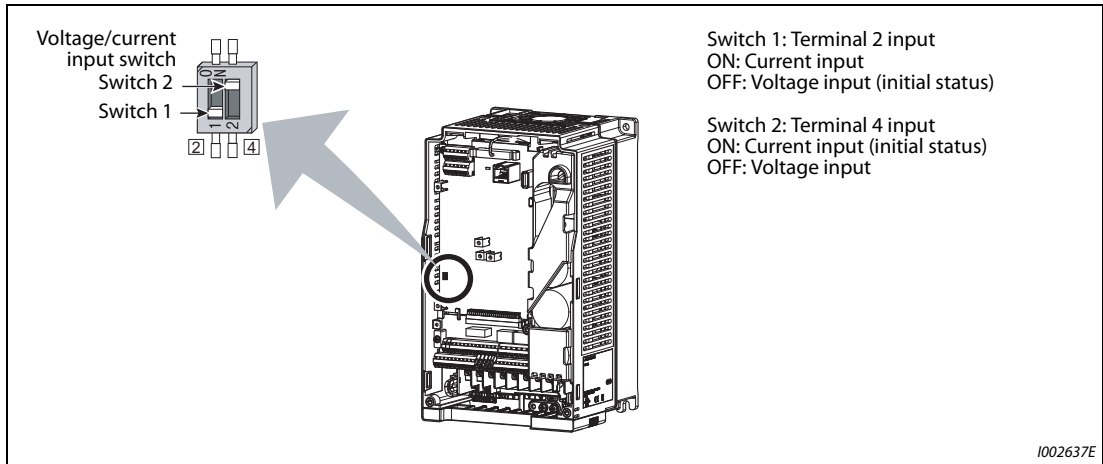


Fig. 5-111: Voltage/current input switches

- The terminal 2/4 rating specifications change depending on the voltage/current input switch settings.
Voltage input: input resistance $10\text{ k}\Omega \pm 1\text{ k}\Omega$, permissible maximum voltage 20 V DC
Current input: input resistance $245\ \Omega \pm 5\ \Omega$, permissible maximum current 30 mA
- Correctly set Pr. 73, Pr. 267 and voltage/current input switch settings so that the analog signal appropriate for the settings is input. The incorrect settings shown in the table below cause a failure. Other incorrect settings result in an incorrect operation.

Setting causing a failure		Operation
Switch setting	Terminal input	
ON (current input)	Voltage input	Causes an analog signal output circuit failure in an external device (due to increased loads on the signal output circuit of the external device).
OFF (Voltage input)	Current input	Causes an input circuit failure in the inverter (due to an increased output power in the analog signal output circuit of an external device).

Tab. 5-108: Switch settings causing a failure

NOTE

Check the voltage/current input switch number indication before setting, because it is different from the FR-F700(P) series switch number indication.

- Set the Pr. 73 and voltage/current input switch settings according to the table below. (indicates the main speed setting.)

Pr. 73 setting	Terminal 2 input	Switch 1	Terminal 1 input	Compensation input terminal compensation method	Polarity reversible
0	0 to 10 V	OFF	0 to ±10 V	Terminal 1 Addition compensation	Not applied (state in which a negative polarity frequency command signal is not accepted)
1 (initial value)	0 to 5 V	OFF	0 to ±10 V		
2	0 to 10 V	OFF	0 to ±5 V		
3	0 to 5 V	OFF	0 to ±5 V	Terminal 2 Override	
4	0 to 10 V	OFF	0 to ±10 V		
5	0 to 5 V	OFF	0 to ±5 V		
6	0 to 20 mA	ON	0 to ±10 V	Terminal 1 Addition compensation	Applied
7	0 to 20 mA	ON	0 to ±5 V		
10	0 to 10 V	OFF	0 to ±10 V		
11	0 to 5 V	OFF	0 to ±10 V		
12	0 to 10 V	OFF	0 to ±5 V		
13	0 to 5 V	OFF	0 to ±5 V		
14	0 to 10 V	OFF	0 to ±10 V		
15	0 to 5 V	OFF	0 to ±5 V		
16	0 to 20 mA	ON	0 to ±10 V	Terminal 1 Addition compensation	
17	0 to 20 mA	ON	0 to ±5 V		

Tab. 5-109: Setting of parameter 73

- Turning the Terminal 4 input selection (AU) signal ON sets terminal 4 to the main speed. With this setting, the main speed setting terminal is invalidated.
- Set the Pr. 267 and voltage/current input switch setting according to the table below.

Pr. 267 setting	Terminal 4 input	Switch 2
0 (initial value)	4 to 20 mA	ON
1	0 to 5 V	OFF
2	0 to 10 V	OFF

Tab. 5-110: Setting of parameter 267

NOTES

To enable the terminal 4, turn the AU signal ON.

Set the parameters and the switch settings so that they agree. Incorrect setting may cause a fault, failure or malfunction.

Terminal 1 (frequency setting auxiliary input) is added to the terminal 2 or 4 main speed setting signal.

When the override setting is selected, terminal 1 or 4 is set to the main speed setting, and terminal 2 is set to the override signal (0 to 5 V or 0 to 10 V, and 50% to 150%). (If the main speed of terminal 1 or 4 is not input, the compensation by terminal 2 is disabled.)

Use Pr. 125 (Pr. 126) (frequency setting gain) to change the maximum output frequency at the input of the maximum output frequency command voltage (current). At this time, the command voltage (current) need not be input.

The acceleration/deceleration time inclines up/down to the acceleration/deceleration reference frequency, so it is not affected by change of Pr. 73.

When Pr. 858 "Terminal 4 function assignment" and Pr. 868 "Terminal 1 function assignment" = "4", the terminal 1 and terminal 4 values are set to the stall prevention operation level.

After the voltage/current input signal is switched with Pr. 73, Pr. 267, and voltage/current input switches, be sure to let calibration performed.

When Pr. 561 "PTC thermistor protection level" ≠ "9999", terminal 2 does not function as an analog frequency command.

To run with an analog input voltage

- Concerning the frequency setting signal, input 0 to 5 V DC (or 0 to 10 V DC) to terminals 2 and 5. The 5 V (10 V) input is the maximum output frequency.
- The power supply 5 V (10 V) can be input by either using the internal power supply or preparing an external power supply. The internal power source is 5 V DC output between terminals 10 and 5, and 10 V DC output between terminals 10E and 5.

Terminal	Inverter internal power source voltage	Frequency setting resolution	Pr. 73 (terminal 2 input voltage)
10	5 V DC	0.030 Hz/60 Hz	0 to 5 V DC input
10E	10 V DC	0.015 Hz/60 Hz	0 to 10 V DC input

Tab. 5-111: Built-in power supply voltage

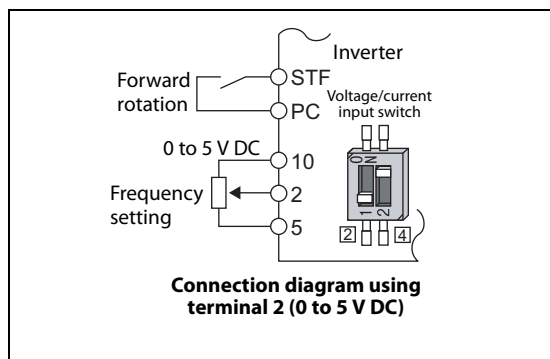


Fig. 5-112: Frequency setting by voltage 0 to 5V DC

1002638E_G

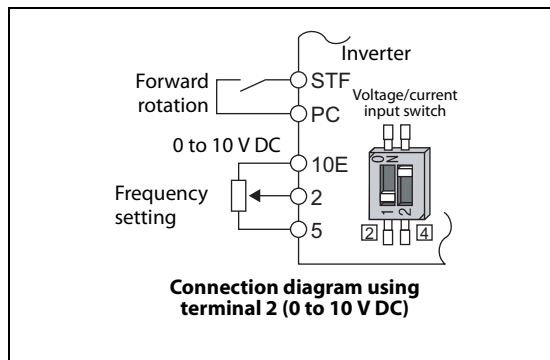


Fig. 5-113: Frequency setting by voltage 0 to 10 V DC

1002639E_G

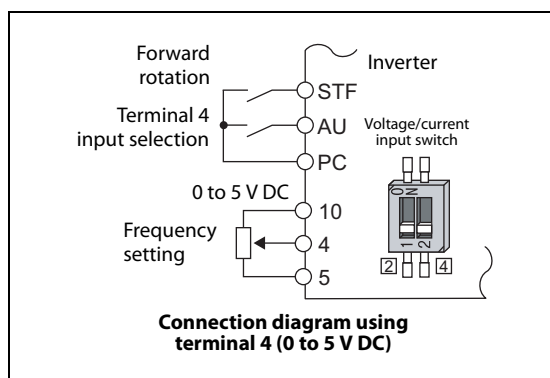


Fig. 5-114: Frequency setting by voltage 0 to 5V DC

1002640E_G

- To supply the 10 V DC input to terminal 2, set "0, 2, 4, 10, 12, or 14" in Pr. 73. (The initial value is 0 to 5 V.)
- Setting "1 (0 to 5 V DC)" or "2 (0 to 10 V DC)" in Pr. 267 and turning the voltage/current input switches OFF sets the terminal 4 to the voltage input specification. Turning ON the AU signal activates terminal 4 input.

NOTE

The wiring length of the terminal 10, 2, 5 should be 30 m at maximum.

Running with analog input current

- For constant pressure or temperature control with fans, pumps, or other devices, automatic operation is available by setting the regulator output signal 4 to 20 mA DC to between terminals 4 and 5.
- To use the terminal 4, the AU signal needs to be turned ON.

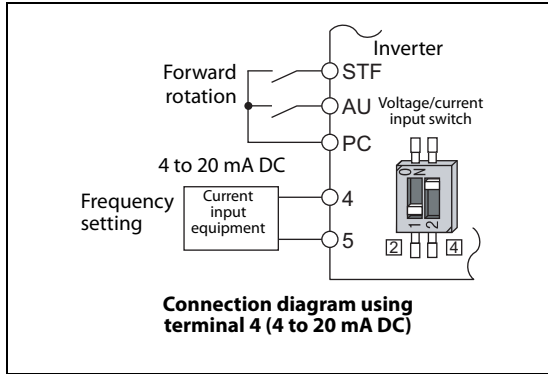


Fig. 5-115:
Frequency setting by current 4 to 20 mA DC

I002641E_G

- Setting "6, 7, 16, or 17" in Pr. 73 and turning the voltage/current input switches ON sets terminal 2 to the current input specification. Concerning the settings, the AU signal does not need to be turned ON.

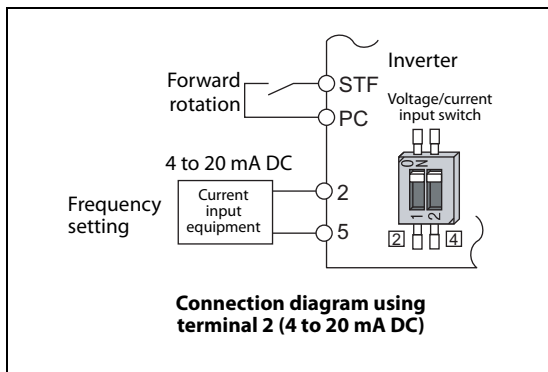


Fig. 5-116:
Frequency setting by current 4 to 20 mA DC

I002642E_G

To perform forward/reverse rotation with the analog input (polarity reversible operation)

- Setting Pr. 73 to a value of "10 to 17" enables the polarity reversible operation.
- Setting \pm input (0 to ± 5 V or 0 to ± 10 V) to the terminal 1 allows the operation of forward/reverse rotation by the polarity.

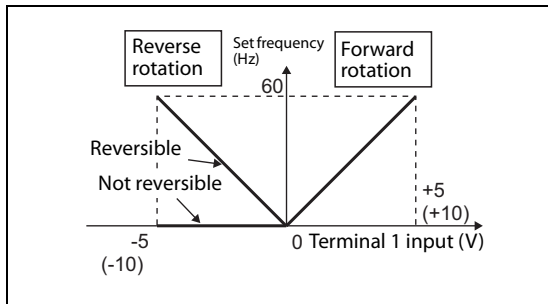


Fig. 5-117:
Compensation input characteristics when STF is ON

I002643E

Parameters referred to			
Pr. 22	Stall prevention operation level	=>	page 5-180
Pr. 125	Terminal 2 frequency setting gain frequency	=>	page 5-266
Pr. 126	Terminal 4 frequency setting gain frequency	=>	page 5-266
Pr. 252, Pr. 253	Override bias/gain	=>	page 5-261
Pr. 561	PTC thermistor protection level	=>	page 5-150
Pr. 858	Terminal 4 function assignment	=>	page 5-260
Pr. 868	Terminal 1 function assignment	=>	page 5-260

5.9.2 Analog input terminal (terminal 1, 4) function assignment

The analog input terminal 1 and terminal 4 functions are set and changeable with parameters.

Pr.	Name	Initial value	Setting range	Description
868 T010	Terminal 1 function assignment	0	0, 4, 9999	Select the terminal 1 function. (Refer to the table below.)
858 T040	Terminal 4 function assignment	0	0, 4, 9999	Select the terminal 4 function. (Refer to the table below.)

- Concerning terminal 1 and terminal 4 used for analog input, the frequency (speed) command, stall prevention operation level input, and other similar commands are usable. The functions available are different depending on Pr. 868 "Terminal 1 function assignment", Pr. 858 "Terminal 4 function assignment" as shown in the table below.

Setting value	Terminal 1 function (Pr. 868)	Terminal 4 function (Pr. 858)
0 (initial value)	Frequency setting auxiliary	Frequency command (AU signal-ON)
4	Stall prevention operation level input	Stall prevention operation level input ①
9999	—	—

—: No function

Tab. 5-112: Functions of terminals 1 and 4 depending on Pr. 858/868

① Invalid when Pr. 868 = "4"

NOTE

When Pr. 868 = "4" (stall prevention), the terminal 4 function is enabled whether the AU terminal is turned ON/OFF.

5.9.3 Analog input compensation

Addition compensation or fixed ratio analog compensation (override) with terminal 2 set to auxiliary input is applicable to the multi-speed operation or terminal 2/terminal 4 speed setting signal (main speed).

Pr.	Name	Initial value	Setting range	Description
73 T000	Analog input selection	1	0 to 3, 6, 7, 10 to 13, 16, 17	Addition compensation
			4, 5, 14, 15	Override compensation
242 T021	Terminal 1 added compensation amount (terminal 2)	100%	0 to 100%	Set the percentage of addition compensation when terminal 2 is set to the main speed.
243 T041	Terminal 1 added compensation amount (terminal 4)	75%	0 to 100%	Set the percentage of addition compensation when terminal 4 is set to the main speed.
252 T050	Override bias	50%	0 to 200%	Set the percentage of override function bias side compensation.
253 T051	Override gain	150%	0 to 200%	Set the percentage of override function gain side compensation.

Addition compensation (Pr. 242, Pr. 243)

- A compensation signal is addable to the main speed setting for such as synchronous or continuous speed control operation.
- Setting a value of "0 to 3, 6, 7, 10 to 13, 16, and 17" to Pr. 73 adds the voltage between terminals 1 and 5 to the voltage signal of the terminals 2 and 5.
- When Pr. 73 = "0 to 3, 6, or 7", and if the result of addition is negative, it is regarded as 0 and the operation is stopped. When Pr. 73 = "10 to 13, 16, or 17", the operation is reversed (polarity reversible operation) with STF signal ON.
- The terminal 1 compensation input is addable to the multi-speed setting or terminal 4 (initial value: 4 to 20 mA).
- The degree of addition compensation to terminal 2 is adjustable with Pr. 242. The degree of addition compensation to terminal 4 is adjustable with Pr. 243.
- Analog command value with use of terminal 2
= terminal 2 input + terminal 1 input × (Pr. 242/100 [%])

Analog command value with use of terminal 4
= terminal 4 input + terminal 1 input × (Pr. 243/100 [%])

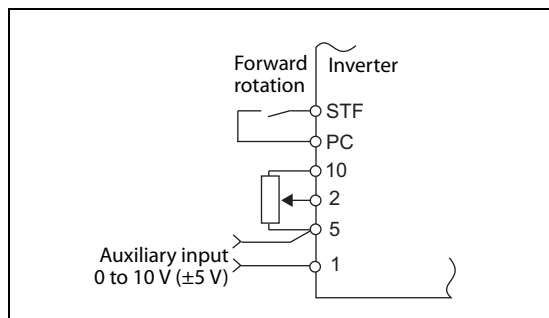


Fig. 5-118:
Example of addition compensation connection

1002644E_G

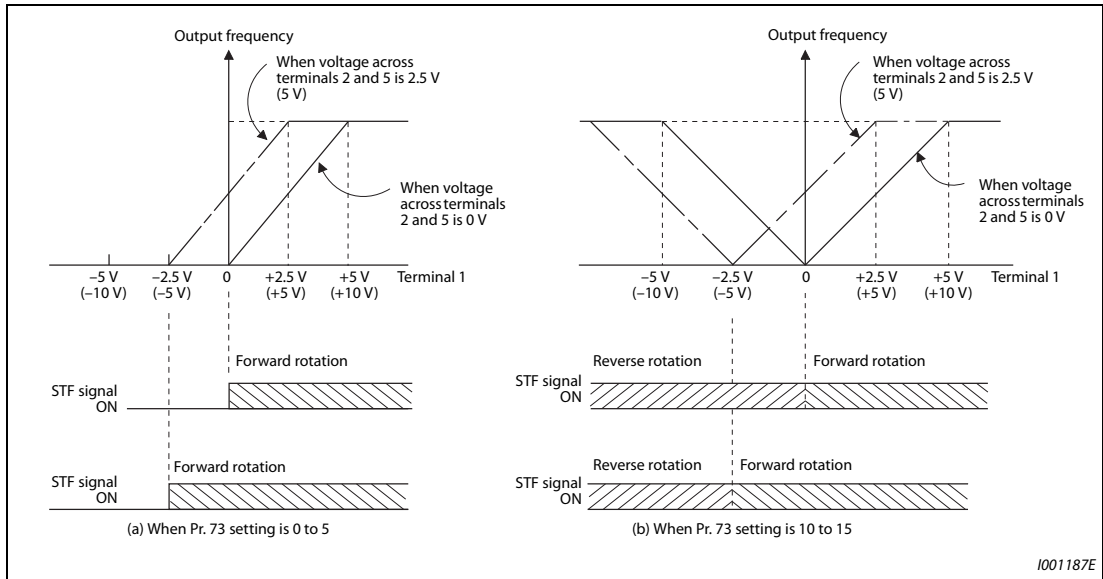


Fig. 5-119: Auxiliary input characteristics

NOTE

After changing the Pr. 73 setting, check the voltage/current input switch setting. Incorrect setting may cause a fault, failure or malfunction. (For the settings, refer to page 5-255.)

Override function (Pr. 252, Pr. 253)

- Use the override function to make the main speed changed at a specified rate.

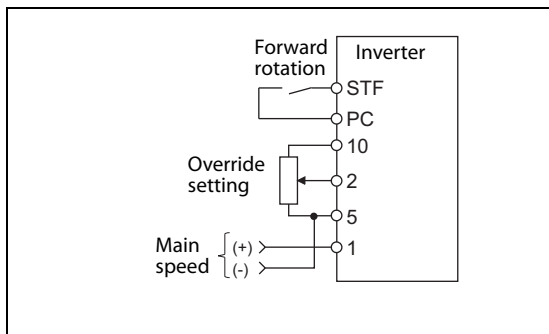


Fig. 5-120: Connection example for the override function

- Set Pr. 73 = "4, 5, 14, or 15" to select the override function.
- When the override function is selected, terminal 1 or 4 is used for the main speed setting, and terminal 2 is used for the override signal. (if the main speed is not input to the terminal 1 or 4, the compensation by terminal 2 is disabled.)
- Specify the scope of override by using Pr. 252 and Pr. 253.
- How to calculate the set frequency for override:
 - Set frequency (Hz) = Main speed setting frequency [Hz] × (Compensation [%]/100 [%])
 - Main speed setting frequency (Hz): Terminals 1 or 4 input, multi-speed setting

- Compensation (%): Terminal 2 input

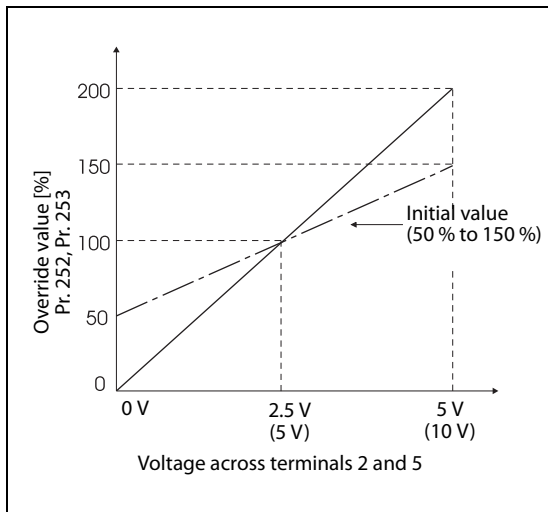


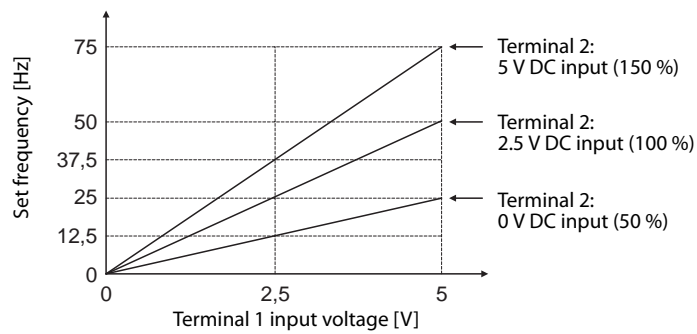
Fig. 5-121:
Override

1001189E

Example ▾

When Pr. 73 = "5"

By the terminal 1 (main speed) and terminal 2 (auxiliary) input, the setting frequency is set as shown in the figure below.



△

NOTES

To use terminal 4, the AU signal needs to be turned ON.

To make compensation input for the multi-speed operation or remote setting, set Pr. 28 "Multi-speed input compensation selection" = "1" (with compensation) (initial value "0").

After changing the Pr. 73 setting, check the voltage/current input switch setting. Incorrect setting may cause a fault, failure or malfunction. (For the settings, refer to page 5-255.)

Parameters referred to		
Pr. 28	Multi-speed input compensation selection	=> page 5-60
Pr. 73	Analog input selection	=> page 5-255

5.9.4 Analog input responsiveness and noise elimination

The frequency command responsiveness and stability are adjustable by using the analog input (terminals 1, 2, and 4) signal.

Pr.	Name	Initial value	Setting range	Description
74 T002	Input filter time constant	1	0 to 8	The primary delay filter time constant to the analog input is selectable. The higher the value, the lower the responsiveness.
822 T003	Speed setting filter 1	9999	0 to 5 s	Set the primary delay filter time constant to the external speed command (analog input command).
			9999	Use the Pr. 74 setting.
832 T005	Speed setting filter 2	9999	0 to 5 s, 9999	Second function of Pr. 822 (enabled when the RT signal is ON)
849 T007	Analog input offset adjustment	100%	0 to 200%	Make the analog speed input (terminal 2) have an offset. This prevents the motor from rotating by noise to the analog input or another cause on the speed 0 command.

Block diagram

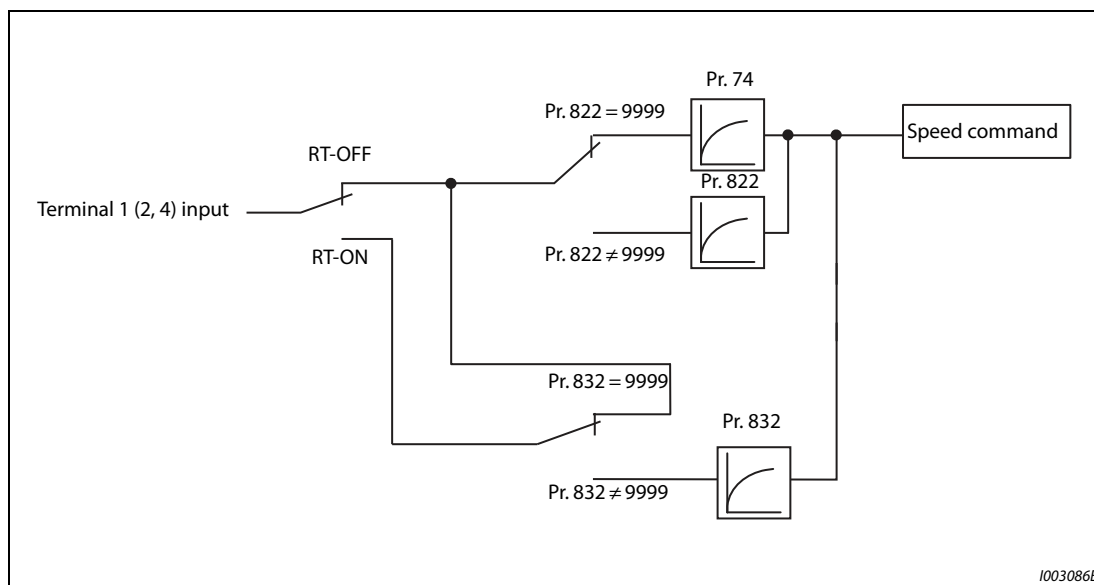


Fig. 5-122: Terminal 1 (2, 4) input block diagram

Analog input time constant (Pr. 74)

- It is effective to eliminate noise on the frequency setting circuit.
- Increase the filter time constant if steady operation cannot be performed due to noise, etc.
A larger setting results in slower response. (The time constant can be between 0 and 8, which are about 5 ms to 1 s.)

Analog speed command input time constant (Pr. 822, Pr. 832)

- Set the primary delay filter time constant to the external speed command (analog input command) by using Pr. 822 "Speed setting filter 1".
- To change the time constant, for example, in a case where only one inverter is used to switch between more than one motor, use Pr. 832 "Speed setting filter 2".
- Pr. 832 "Speed setting filter 2" is enabled when the RT signal is ON.

Analog speed command input offset adjustment (Pr. 849)

- This is used to set a range in which the motor is stopped for prevention of incorrect motor operation in a very low speed rotation by the analog input speed command.
- Regarding the Pr. 849 "Analog input offset adjustment" value 100% is 0, the offset voltage is set as described below:

100% < Pr. 849 Positive side
100% > Pr. 849 Negative side

The detailed calculation of the offset voltage is as described below:

Offset voltage [V] = Voltage at the time of 100% (5 V or 10 V ^①) × (Pr. 849 – 100)/100

^①It depends on the Pr. 73 setting.

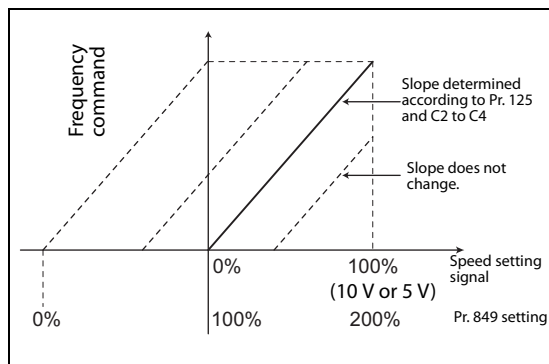


Fig. 5-123:
Offset setting

1002647E

NOTE

Under PID control, the analog input filter is invalid (no filter).

Parameters referred to			
Pr. 73	Analog input selection	=>	page 5-255
Pr. 125, C2 to C4	(bias and gain of the terminal 2 frequency setting)	=>	page 5-266

5.9.5 Frequency setting voltage (current) bias and gain

The degree (incline) of the output frequency to the frequency setting signal (0 to 5 V DC, 0 to 10 V or 4 to 20 mA) is selectable to a desired amount.

Use Pr. 73 "Analog input selection", Pr. 267 "Terminal 4 input selection", or the voltage/current input switch to switch among input 0 to 5 V DC, 0 to 10 V, and 4 to 20 mA. (Refer to page 5-255)

Pr.	Name	Initial value		Setting range	Description	
		FM	CA			
C2 (902) ① T200	Terminal 2 frequency setting bias frequency	0 Hz		0 to 590 Hz	Set the terminal 2 input bias side frequency.	
C3 (902) ① T201	Terminal 2 frequency setting bias	0%		0 to 300%	Set the converted % on the bias side voltage (current) of the terminal 2 input.	
125 (903) ① T202 T022	Terminal 2 frequency setting gain frequency	60 Hz	50 Hz	0 to 590 Hz	Set the terminal 2 input gain (maximum) frequency.	
C4 (903) ① T203	Terminal 2 frequency setting gain	100%		0 to 300%	Set the converted % on the gain side voltage (current) of the terminal 2 input.	
C5 (904) ① T400	Terminal 4 frequency setting bias frequency	0 Hz		0 to 590 Hz	Set the terminal 4 input bias side frequency.	
C6 (904) ① T401	Terminal 4 frequency setting bias	20%		0 to 300%	Set the converted % on the bias side current (voltage) of terminal 4 input.	
126 (905) ① T402 T042	Terminal 4 frequency setting gain frequency	60 Hz	50 Hz	0 to 590 Hz	Set the terminal 4 input gain (maximum) frequency.	
C7 (905) ① T403	Terminal 4 frequency setting gain	100%		0 to 300%	Set the converted % on gain side current (voltage) of terminal 4 input.	
C12 (917) ① T100	Terminal 1 bias frequency (speed)	0 Hz		0 to 590 Hz	Set the terminal 1 input bias side frequency (speed). (speed limit)	
C13 (917) ① T101	Terminal 1 bias (speed)	0%		0 to 300%	Set the converted % on bias side voltage of terminal 1 input. (speed limit)	
C14 (918) ① T102	Terminal 1 gain frequency (speed)	60 Hz	50 Hz	0 to 590 Hz	Set the terminal 1 input gain (maximum) frequency (speed). (speed limit)	
C15 (918) ① T103	Terminal 1 gain (speed)	100%		0 to 300%	Set the converted % on the gain side voltage of terminal 1 input. (speed limit)	
241 M043	Analog input display unit switchover	0		0	% display	Select the unit for analog input display
				1	V/mA display	

① The parameter number in parentheses is the one for use with the LCD operation panel and the parameter unit.

Relationship between the analog input terminal function and the calibration parameter

- Calibration parameter according to the terminal 1 function

Pr. 868 Setting	Terminal function	Calibration parameter	
		Bias setting	Gain setting
0 (initial value)	Frequency (speed) setting auxiliary	C2 (Pr. 902) "Terminal 2 frequency setting bias frequency" C3 (Pr. 902) "Terminal 2 frequency setting bias" C5 (Pr. 904) "Terminal 4 frequency setting bias frequency" C6 (Pr. 904) "Terminal 4 frequency setting bias"	Pr. 125 "Terminal 2 frequency setting gain frequency" C4 (Pr. 903) "Terminal 2 frequency setting gain" Pr. 126 "Terminal 4 frequency setting gain frequency" C7 (Pr. 905) "Terminal 4 frequency setting gain"
4	Stall prevention operation level ^①	C16 (Pr. 919) "Terminal 1 bias command (torque)" C17 (Pr. 919) "Terminal 1 bias (torque)"	C18 (Pr. 920) "Terminal 1 gain command (torque)" C19 (Pr. 920) "Terminal 1 gain (torque)"
9999	No function	—	—

Tab. 5-113: Terminal 1 functional calibration parameter

- Calibration parameter according to the terminal 4 function

Pr. 858 setting	Terminal function	Calibration parameter	
		Bias setting	Gain setting
0 (initial value)	Frequency command	C5 (Pr. 904) "Terminal 4 frequency setting bias frequency" C6 (Pr. 904) "Terminal 4 frequency setting bias"	Pr. 126 "Terminal 4 frequency setting gain frequency" C7 (Pr. 905) "Terminal 4 frequency setting gain"
4	Stall prevention operation level ^①	C38 (Pr. 932) "Terminal 4 bias command (torque)" C39 (Pr. 932) "Terminal 4 bias (torque)"	C40 (Pr. 933) "Terminal 4 gain command (torque)" C41 (Pr. 933) "Terminal 4 gain (torque)"
9999	No function	—	—

Tab. 5-114: Terminal 4 functional calibration parameter

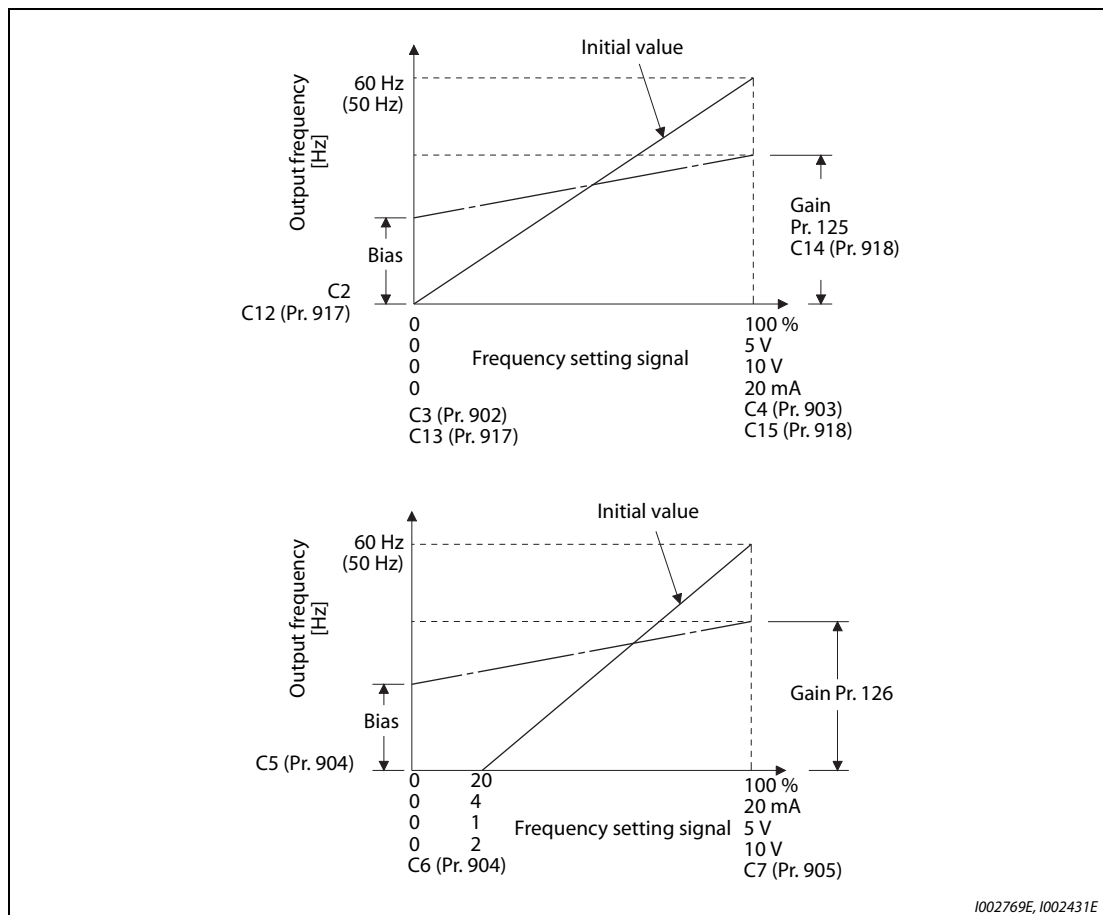
- ^① Use Pr. 148 "Stall prevention level at 0 V input" and Pr. 149 "Stall prevention level at 10 V input" to adjust the bias and gain for stall prevention operation level under V/F control and Advanced magnetic flux vector control.

To change the frequency for the maximum analog input (Pr. 125, Pr. 126)

- To change only the frequency setting (gain) for the maximum analog input voltage (current), set Pr. 125 (Pr. 126). (C2 (Pr. 902) to C7 (Pr. 905) settings do not need to be changed.)

Analog input bias/gain calibration (C2 (Pr. 902) to C7 (Pr. 905), C12 (Pr. 917) to C15 (Pr. 918))

- The "bias" and "gain" functions serve to adjust the relationship between a setting input signal and the output frequency. A setting input signal is such as 0 to 5 V DC/0 to 10 V or 4 to 20 mA DC externally input to set the output frequency.
- Set the terminal 2 input bias frequency by using C2 (Pr. 902).
(It is initially set to the frequency at 0 V.)
- Set the output frequency to the frequency command voltage (current) set by the Pr. 73 "Analog input selection" by using Pr. 125.
- Set the bias frequency of the terminal 1 input using C12 (Pr. 917).
(It is initially set to the frequency at 0 V.)
- Set the gain frequency of the terminal 1 input using C14 (Pr. 918).
(It is initially set to the frequency at 10 V.)
- Set the bias frequency of the terminal 4 input using C5 (Pr. 904).
(It is initially set to the frequency at 4 mA.)
- Set the output frequency for 20 mA of the frequency command current (4 to 20 mA) by using Pr. 26.

**Fig. 5-124:** Signal adjustment of the terminals

- There are three methods to adjust the frequency setting voltage (current) bias/gain.
 - ① (Adjust any point with application of a voltage (current) between terminals 2 and 5 (4 and 5). Refer to page 5-270.
 - ② (Adjust any point without application of a voltage (current) between terminals 2 and 5 (4 and 5). Refer to page 5-271.
 - ③ (Adjust frequency only without adjustment of voltage (current). Refer to page 5-272.

NOTES

Performing terminal 2 calibration that includes a change of the setting frequency incline changes terminal 1 setting.

Calibration with voltage input to terminal 1 sets (terminal 2 (4) analog value + terminal 1 analog value) as the analog calibration value.

Always calibrate the input after changing the voltage/current input signal with Pr. 73, Pr. 267, and the voltage/current input selection switch.

Analog input display unit changing (Pr. 241)

- The analog input display unit (%/V/mA) for analog input bias and gain calibration can be changed.
- Depending on the terminal input specification set to Pr. 73, Pr. 267, and voltage/current input switches, the display unit of C3 (Pr. 902), C4 (Pr. 903), C6 (Pr. 904), and C7 (Pr. 905) change as described below:

Analog command (terminals 2, 4) (depending on Pr. 73, Pr. 267, and voltage/current input switch)	Pr. 241 = 0 (initial value)	Pr. 241 = 1
0 to 5 V input	0 to 5 V → 0 to 100% (0.1%)	0 to 100% → 0 to 5 V (0.01 V)
0 to 10 V input	0 to 10 V → 0 to 100% (0.1%)	0 to 100% → 0 to 5 V (0.01 V) display
0 to 20 mA input	0 to 20 mA → 0 to 100% (0.1%)	0 to 100% → 0 to 20 mA (0.01 mA)

Tab. 5-115: Units when displaying the set value












NOTE

When the terminal 1 input specification (0 to ± 5 V, 0 to ± 10 V) does not agree with the main speed (terminal 2, terminal 4 input) specification (0 to 5 V, 0 to 10 V, 0 to 20 mA), and if the voltages are applied to terminal 1, the analog input is not correctly displayed. (For example, in the initial status, when 0 V is applied to terminal 2 and 10 V is applied to terminal 1, and the analog value is displayed as 5 V (100%).)

Use the inverter with the Pr. 241 = "0 (initial value)" setting. (0% display).













Frequency setting voltage (current) bias/gain adjustment method

- ① Adjust any point with application of a voltage (current) between terminals 2 and 5 (4 and 5).
(Frequency setting gain adjustment example)

Operation	
①	Screen at power-ON The monitor display appears.
②	Changing the operation mode Press  to choose the PU operation mode. [PU] indicator is lit.
③	Parameter setting mode Press  to choose the parameter setting mode. (The parameter number read previously appears.)
④	Calibration parameter selection Turn  until "┌. . . ." appears. Press  to display "┌ -- -- --".
⑤	Selecting the parameter number Turn  to choose "┌ C4 (Pr. 903) "Terminal 2 frequency setting gain" for the terminal 2. and "┌ C7 (Pr. 905) "Terminal 4 frequency setting gain" for the terminal 4.
⑥	Analog voltage (current) display Press  to display the analog voltage (current) % currently applied to the terminal 2 (4). Do not touch  until calibration is completed.
⑦	Voltage (current) application Apply a 5 V (20 mA). (Turn the external potentiometer connected across terminals 2 and 5 (terminals 4 and 5) to a desired position.)
⑧	Setting completed Press  to enter the setting. The analog voltage (current) % and "┌ C4 (┌ C7)" flicker alternately. <ul style="list-style-type: none"> • Press  to read another parameter. • Press  to return to the "┌ -- -- --" display. • Press  twice to show the next parameter.

Tab. 5-116: Bias and gain adjustment by application of an reference signal

- ② Adjust any point without application of a voltage (current) between terminals 2 and 5 (4 and 5) (Frequency setting gain adjustment example)






Operation	
①	Screen at power-ON The monitor display appears.
②	Changing the operation mode Press  to choose the PU operation mode. [PU] indicator is lit.
③	Parameter setting mode Press  to choose the parameter setting mode. (The parameter number read previously appears.)
④	Calibration parameter selection Turn  until "┌" appears. Press  to display "┌ -- -- -- --".
⑤	Selecting the parameter number Turn  to choose "┌ 4 " C4 (Pr. 903) "Terminal 2 frequency setting gain" for the terminal 2. and "┌ 7 " C7 (Pr. 905) "Terminal 4 frequency setting gain" for the terminal 4.
⑥	Analog voltage (current) display Press  to display the analog voltage (current) % currently applied to the terminal 2 (4).
⑦	Analog voltage (current) adjustment When  is turned, the gain voltage (current) % currently set to the parameter is displayed. When  until the desired gain voltage (current) % is displayed.
⑧	Setting completed Press  to enter the setting. The analog voltage (current) % and "┌ 4 (┌ 7)" flicker alternately. • Turn  to read another parameter. • Press  to return to the "┌ -- -- -- --" display. • Press  twice to show the next parameter.

Tab. 5-117: Bias and gain adjustment without application of an reference signal

NOTE

By pressing the setting dial after step ⑥, the present frequency setting bias/gain setting can be confirmed. Confirmation is not possible after executing step ⑦.

- ③ Adjust frequency only without adjustment of gain voltage (current)
(When changing the gain frequency from 60 Hz to 50 Hz)

Operation	
① Parameter selection	Turn  to choose "P. 125" (Pr. 125) for the terminal 2, and "P. 126" (Pr. 126) for the terminal 4. Press  to show the present set value. (150.00%)
② Changing the maximum frequency	Turn  to change the set value to "5000". (130.00%) Press  to enter the setting. "5000" and "P. 125 (P. 126)" flicker alternately.
③ Checking the mode/monitor	Press  three times to change to the monitor / frequency monitor.
④ Start	Turn ON the start switch (STF or STR) then turn the potentiometer (frequency setting potentiometer) clockwise slowly to full. (Refer to steps ② and ③ in section 4.6.3, page 4-26.) Operate at 50 Hz.

Tab. 5-118: Adjusting only the frequency without adjustment of a voltage (current)

NOTES

If the frequency meter (display meter) connected across the terminals FM and SD (CA and 5) does not indicate exactly 60 Hz, set the calibration parameter C0 "FM/CA terminal calibration". (Refer to page 5-218.)

If the gain and bias of voltage (current) setting voltage are too close, an error ("Er3") may be displayed at setting.

Changing C4 (Pr. 903) or C7 (Pr. 905) (gain adjustment) will not change Pr. 20.
Input to the terminal 1 (frequency setting auxiliary input) is added to the frequency setting signal.

For operation outline of the parameter unit (FR-PU07), refer to the Instruction Manual of the FR-PU07.

To set the value to 120 Hz or higher, the Pr. 18 "High speed maximum frequency" needs to be 120 Hz or higher. (Refer to page 5-176.)

Make the bias frequency setting using the calibration parameter C2 (Pr. 902) and C5 (Pr. 904). (Refer to page 5-268.)



CAUTION:

Be cautious when setting any value other than "0" as the bias frequency at 0 V (0 mA). Even if a speed command is not given, simply turning ON the start signal will start the motor at the preset frequency.

Parameters referred to			
Pr. 1	Maximum frequency	=>	page 5-176
Pr. 18	High speed maximum frequency	=>	page 5-176
Pr. 20	Acceleration/deceleration reference frequency	=>	page 5-102
Pr. 73	Analog input selection	=>	page 5-255
Pr. 267	Terminal 4 input selection	=>	page 5-255
Pr. 79	Operation mode selection	=>	page 5-119
Pr. 858	Terminal 4 function assignment	=>	page 5-260
Pr. 868	Terminal 1 function assignment	=>	page 5-260

5.9.6 Bias and gain for voltage (current) setting of stall prevention operation level



The magnitude (slope) of the stall prevention operation level can be set as desired in relation to the analog signal (0 to 5 V DC, 0 to 10 V DC, or 4 to 20 mA).

Use Pr. 73 "Analog input selection" or Pr. 267 "Terminal 4 input selection" to switch among input 0 to 5 V DC, 0 to 10 V, and 4 to 20 mA. (Refer to page 5-255.)

Pr.	Name	Initial value	Setting range	Description	
C16 (919) ① T110	Terminal 1 bias command (torque)	0%	0 to 400%	Set the stall prevention operation level of the bias side of terminal 1 input.	
C17 (919) ① T111	Terminal 1 bias (torque)	0%	0 to 300%	Set the converted % on bias side voltage of terminal 1 input.	
C18 (920) ① T112	Terminal 1 gain command (torque)	150%	0 to 400%	Set the stall prevention operation level of the gain (maximum) of terminal 1 input.	
C19 (920) ① T113	Terminal 1 gain (torque)	100%	0 to 300%	Set the converted % on the gain side voltage of terminal 1 input.	
C38 (932) ① T410	Terminal 4 bias command (torque)	0%	0 to 400%	Set the stall prevention operation level of the bias side of terminal 4 input.	
C39 (932) ① T411	Terminal 4 bias (torque)	20%	0 to 300%	Set the converted % on the bias side current (voltage) of terminal 4 input.	
C40 (933) ① T412	Terminal 4 gain command (torque)	150%	0 to 400%	Set the stall prevention operation level of the gain (maximum) of terminal 4 input.	
C41 (933) ① T413	Terminal 4 gain (torque)	100%	0 to 300%	Set the converted % on gain side current (voltage) of terminal 4 input.	
241 M043	Analog input display unit switchover	0	0	% display	Select the unit for analog input display.
			1	V/mA display	

① The parameter number in parentheses is the one for use with the LCD operation panel and the parameter unit.

Changing the function of analog input terminal

The initial value for terminal 1 used as analog input is set to speed setting auxiliary (speed limit auxiliary), and terminal 4 is set to speed command. To use the analog input terminal to input the stall prevention operation level, set Pr. 868 "Terminal 1 function assignment", and Pr. 858 "Terminal 4 function assignment" to change the function. (Refer to page 5-260.)

Relationship between the analog input terminal function and the calibration parameter

- Calibration parameter according to the terminal 1 function

Pr. 868 setting	Terminal function	Calibration parameter	
		Bias setting	Gain setting
0 (initial value)	Frequency (speed) setting auxiliary	C2 (Pr. 902) "Terminal 2 frequency setting bias frequency" C3 (Pr. 902) "Terminal 2 frequency setting bias" C5 (Pr. 904) "Terminal 4 frequency setting bias frequency" C6 (Pr. 904) "Terminal 4 frequency setting bias "	Pr. 125 "Terminal 2 frequency setting gain frequency" C4 (Pr. 903) "Terminal 2 frequency setting gain" Pr. 126 "Terminal 4 frequency setting gain frequency" C7 (Pr. 905) "Terminal 4 frequency setting gain"
4	Stall prevention operation level ①	C16 (Pr. 919) "Terminal 1 bias command (torque)" C17 (Pr. 919) "Terminal 1 bias (torque)"	C18 (Pr. 920) "Terminal 1 gain command (torque)" C19 (Pr. 920) "Terminal 1 gain (torque)"
9999	No function	—	—

Tab. 5-119: Terminal 1 functional calibration parameter

- ① Use Pr. 148 "Stall prevention level at 0 V input" and Pr.149 "Stall prevention level at 10 V input" to adjust the bias and gain for stall prevention operation level under V/F control and Advanced magnetic flux vector control.

- Calibration parameter according to the terminal 4 function

Pr. 858 setting	Terminal function	Calibration parameter	
		Bias setting	Gain setting
0 (initial value)	Frequency (speed) command	C5 (Pr. 904) "Terminal 4 frequency setting bias frequency" C6 (Pr. 904) "Terminal 4 frequency setting bias"	Pr. 126 "Terminal 4 frequency setting gain frequency" C7 (Pr. 905) "Terminal 4 frequency setting gain"
4	Stall prevention operation level ①	C38 (Pr. 932) "Terminal 4 bias command (torque)" C39 (Pr. 932) "Terminal 4 bias (torque)"	C40 (Pr. 933) "Terminal 4 gain command (torque)" C41 (Pr. 933) "Terminal 4 gain (torque)"
9999	No function	—	—

Tab. 5-120: Terminal 4 functional calibration parameter

- ① Use Pr. 148 "Stall prevention level at 0 V input" and Pr.149 "Stall prevention level at 10 V input" to adjust the bias and gain for stall prevention operation level under V/F control and Advanced magnetic flux vector control.

Change the stall prevention operation level at maximum analog input (C18 (Pr. 920), C40 (Pr. 933))

To only change the stall prevention operation level setting (gain) of the maximum analog input voltage (current), set to C18 (Pr. 920), C40 (Pr. 933).

**Calibration of analog input bias and gain
(C16 (Pr. 919) to C19 (Pr. 920), C38 (Pr. 932) to C41 (Pr. 933))**

- "Bias"/"gain" function can adjust the relation between the stall prevention operation level and the setting input signal.
Examples of setting input signals are 0 to 5 V DC, 0 to 10 V DC, or 4 to 20 mA DC, and they are externally input.
- Set the bias value of the terminal 1 input using C16 (Pr. 919).
(Shipped from factory with the stall prevention operation level for 0 V)
- Set the stall prevention operation level against the input voltage set by Pr. 73 "Analog input selection" with C18 (Pr. 920). (Initial value is 10 V.)
- Set the bias value of the terminal 4 input using C38 (Pr. 932).
(The initial value is the stall prevention operation level for 4 mA.)
- Set the the stall prevention operation level against the 20 mA for input current (4 to 20 mA) with C40 (Pr. 933).

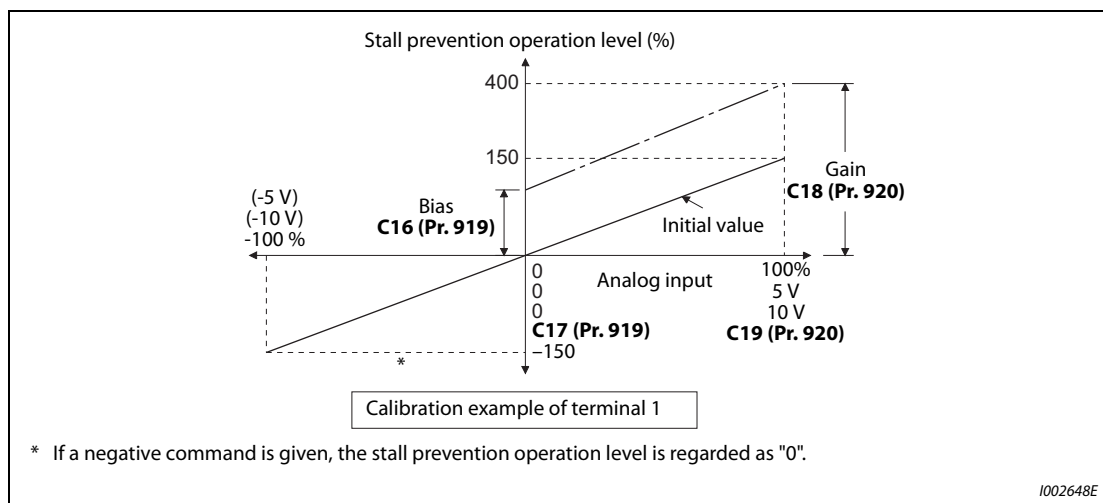


Fig. 5-125: Signal adjustment of terminal 1

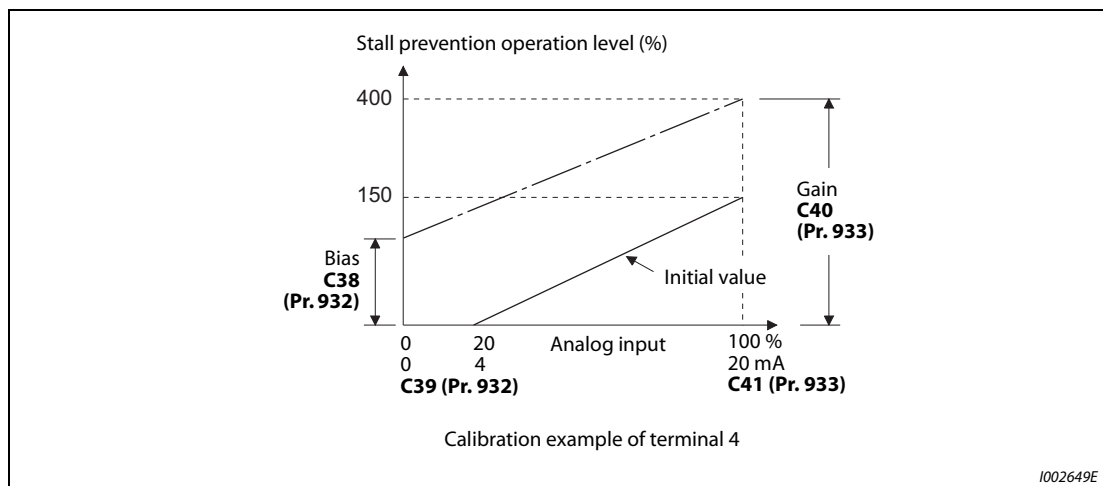


Fig. 5-126: Signal adjustment of terminal 4

- There are three methods to adjust the stall prevention operation level setting voltage (current) bias and gain.
 - ① Method to adjust arbitrary point with application of a voltage (current) between terminals 1 and 5 (4 and 5). Refer to page 5-270.
 - ② Method to adjust arbitrary point without application of a voltage (current) between terminals 1 and 5 (4 and 5). Refer to page 5-271.
 - ③ Method to adjust only stall prevention operation level without adjusting voltage (current). Refer to page 5-272.

NOTE

Always calibrate the input after changing the voltage/input signal with Pr. 73, Pr. 267, and the voltage/current input selection switch.

Analog input display unit changing (Pr. 241)






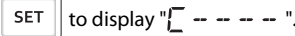

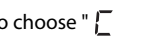
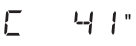








- The analog input display unit (%/V/mA) for analog input bias and gain calibration can be changed.
- Depending on the terminal input specification set to Pr. 73 and Pr. 267, the display units of C17 (Pr. 919), C19 (Pr. 920), C39 (Pr. 932), and C41 (Pr. 933) will change as shown below.

Analog command (terminals 1 and 4) (Depends on Pr. 73, Pr. 267)	Pr. 241 = 0 (initial value)	Pr. 241 = 1
0 to 5 V input	0 to 5 V → 0 to 100% (0.1%) display	0 to 100% → 0 to 5 V (0.01 V) display
0 to 10 V input	0 to 10 V → 0 to 100% (0.1%) display	0 to 100% → 0 to 10 V (0.01 V) display
0 to 20 mA input	0 to 20 mA → 0 to 100% (0.1%) display	0 to 100% → 0 to 20 mA (0.01 mA)

Tab. 5-121: Units when displaying the set value













Adjustment method for the stall prevention operation level setting voltage (current) bias and gain

- ① Adjust any point with application of a voltage (current) between terminals 1 and 5 (4 and 5).

Operation	
①	Screen at power-ON The monitor display appears.
②	Changing the operation mode Press  to choose the PU operation mode. [PU] indicator is lit. Calibration is also possible in the External operation mode.
③	Parameter setting mode Press  to choose the parameter setting mode. (The parameter number read previously appears.)
④	Calibration parameter selection Turn  until "  " appears. Press  to display "  ".
⑤	Selecting the parameter number Turn  to choose "  " (C19(Pr. 920) "Terminal 1 gain (torque)") for the terminal 1, and "  " (C41(Pr. 933) "Terminal 4 gain (torque)") for the terminal 4.
⑥	Analog voltage (current) display Press  to display the analog voltage (current) % currently applied to the terminal 1 (4). Do not touch  until calibration is completed.
⑦	Voltage (current) application Apply a 5 V (20 mA). (Turn the external potentiometer connected across terminals 1 and 5 (terminals 4 and 5) to a desired position.)
⑧	Setting completed Press  to enter the setting. The analog voltage (current) % and "  " flicker alternately. <ul style="list-style-type: none"> • Turn  to read another parameter. • Press  to return to the " " display. • Press  twice to show the next parameter.

Tab. 5-122: Bias and gain adjustment by application of an reference signal

- ② Adjust any point without application of a voltage (current) between terminals 1 and 5 (4 and 5).






Operation	
①	Screen at power-ON The monitor display appears.
②	Changing the operation mode Press  to choose the PU operation mode. [PU] indicator is lit. Calibration is also possible in the External operation mode.
③	Parameter setting mode Press  to choose the parameter setting mode. (The parameter number read previously appears.)
④	Calibration parameter selection Turn  until "C. . . ." appears. Press  to display "C - - - -".
⑤	Selecting the parameter number Turn  to choose "C 19" C19 (Pr. 920) "Terminal 1 gain (torque)" for the terminal 1, and "C 41" C41 (Pr. 933) "Terminal 4 gain (torque)" for the terminal 4.
⑥	Analog voltage (current) display Press  to display the analog voltage (current) % currently applied to the terminal 1 (4).
⑦	Analog voltage (current) adjustment When  is turned, the gain voltage (current) % currently set to the parameter is displayed. Turn  until the desired gain voltage (current) % is displayed.
⑧	Setting completed Press  to enter the setting. The analog voltage (current) % and "C 19 (C 41)" flicker alternately. <ul style="list-style-type: none"> • Turn  to read another parameter. • Press  to return to the "C - - - -" display. • Press  twice to show the next parameter.

Tab. 5-123: Bias and gain adjustment without application of an reference signal

NOTE

By pressing the setting dial after step 6, the bias/gain setting at the present stall prevention operation level can be confirmed.
Confirmation is not possible after executing step 7.

- ③ Method to adjust only stall prevention operation level without adjusting gain voltage (current).
(When changing the gain value from 150% to 130%.)

Operation	
① Parameter selection	Turn  to choose "C 18" (Pr. 920) for the terminal 1, and "C 40" (Pr. 933) for the terminal 4. Press  to show the present set value. (150.00%)
② Changing the stall prevention operation level	Turn  to change the set value to "13000". (130.00%) Press  to enter the setting. "13000" and "C 18 (C 40)" flicker alternately.
③ Checking the mode/monitor	Press  three times to change to the monitor / frequency monitor.
④ Start	Turn ON the start switch (STF or STR) to apply a voltage across terminals 1 and 5 (4 and 5). Operation is performed with 130% stall prevention operation level.

Tab. 5-124: Adjusting only the stall prevention operation level without adjustment of a voltage (current)

NOTES

If the gain and bias of the stall prevention operation level setting are too close, an error ("Er3") may be displayed at setting.

For operation outline of the parameter unit (FR-PU07), refer to the Instruction Manual of the FR-PU07.

Set the bias setting using the calibration parameter C16 (Pr. 919) or C38 (Pr. 932). (Refer to page 5-275.)

Parameters referred to			
Pr. 73	Analog input selection	=>	page 5-255
Pr. 267	Terminal 4 input selection	=>	page 5-255
Pr. 79	Operation mode selection	=>	page 5-119
Pr. 858	Terminal 4 function assignment	=>	page 5-260
Pr. 868	Terminal 1 function assignment	=>	page 5-260

5.9.7 Checking of current input on analog input terminal

When current is input to the analog input terminal 2 and terminal 4, operation when the current input has gone below the specified level (loss of analog current input) can be selected. It is possible to continue the operation even when the analog current input is lost.

Pr.	Name	Initial value	Setting range	Description
573 T052	4 mA input check selection	9999	1	Continues the operation with output frequency before the current input loss.
			2	4 mA input fault is activated when the current input loss is detected.
			3	Decelerates to stop when the current input loss is detected. After it is stopped, 4 mA input fault (E.LCI) is activated.
			4	Continues operation with the Pr. 777 setting.
			9999	No current input check
777 T053	4 mA input check operation frequency	9999	0 to 590 Hz	Set the running frequency for current input loss. (Valid when Pr. 573 = "4")
			9999	No current input check when Pr. 573 = "4"
778 T054	4 mA input check filter	0 s	0 to 10 s	Set the current input loss detection time.

Analog current input loss condition (Pr. 778)

- When the condition of current input to the terminal 4 (terminal 2) continues to be 2 mA or less for Pr. 778 setting time, it is considered as loss of analog current input and alarm (LF) signal is turned ON. The LF signal will turn OFF when the current input becomes 3 mA or higher.
- For the LF signal, set "98 (positive logic) or 198 (negative logic)" in any of Pr. 190 to Pr. 196 "output terminal function selection" to assign the function.

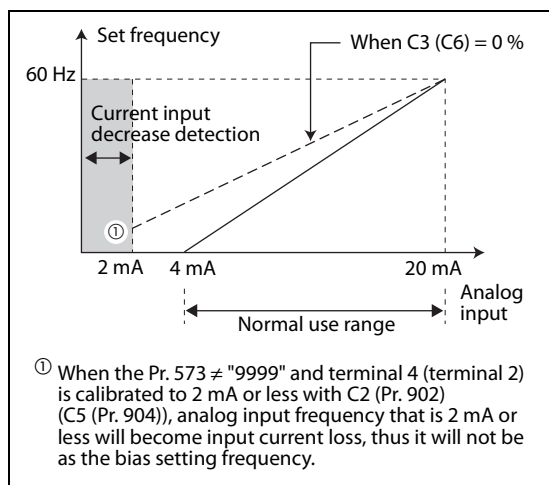


Fig. 5-127:
4mA input check of current input

I001196E

NOTE

Changing the terminal assignment using Pr. 190 to Pr. 196 (output terminal function selection) may affect the other functions. Set parameters after confirming the function of each terminal.

Continue operation at analog current input loss (Pr. 573 = "1, 4", Pr. 777)

- When Pr. 573 = "1", operation is continued with the output frequency before the current input loss.
- When Pr. 573 = "4" and Pr. 777 ≠ "9999", operation is continued with frequency set in Pr. 777.
- When the start command is turned OFF during the input current loss, deceleration stop is immediately performed, and the operation is not restored even if start command is input again.
- When the current input is restored, the LF signal is turned OFF, and operation is performed according to the current input.
- External operation

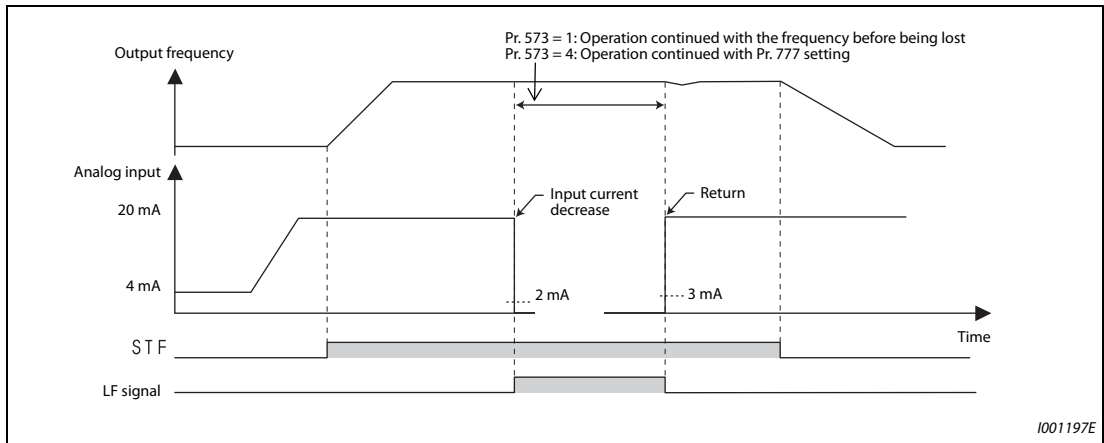


Fig. 5-128: 4mA input check during external operation (Pr. 573 = 1 or 4)

- PID control (reverse action)

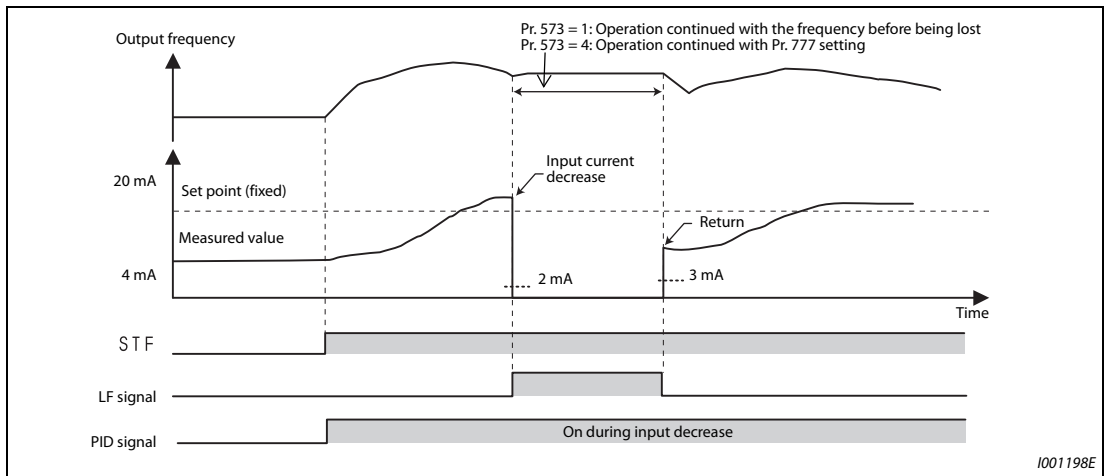


Fig. 5-129: 4mA input check during PID control (reverse action, Pr. 573 = 1 or 4)

NOTE

When the setting is changed to continuously operate after the input current loss (Pr. 573 = "1, 4"), the motor will operate as the frequency before loss is 0 Hz.

Fault output (Pr. 573 = "2")

- When the analog current input becomes 2 mA or lower, 4 mA input fault (E.LCI) will be activated and the output is shut off.
- PID control (reverse action)

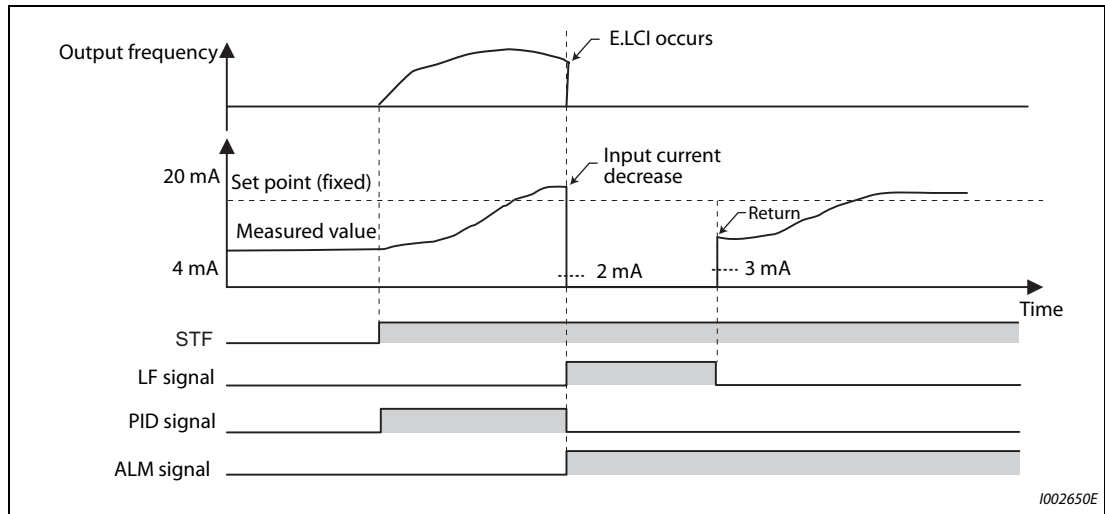


Fig. 5-130: Fault output (Pr. 573 = 2)

Fault output after deceleration to stop (Pr. 573 = "3")

- When the analog current input becomes 2 mA or lower, 4 mA input fault (E.LCI) will be activated after the deceleration stop and the output is shut off.
- When the analog current input is restored during the deceleration, it will accelerate again and operate according to the current input.
- PID control (reverse action)

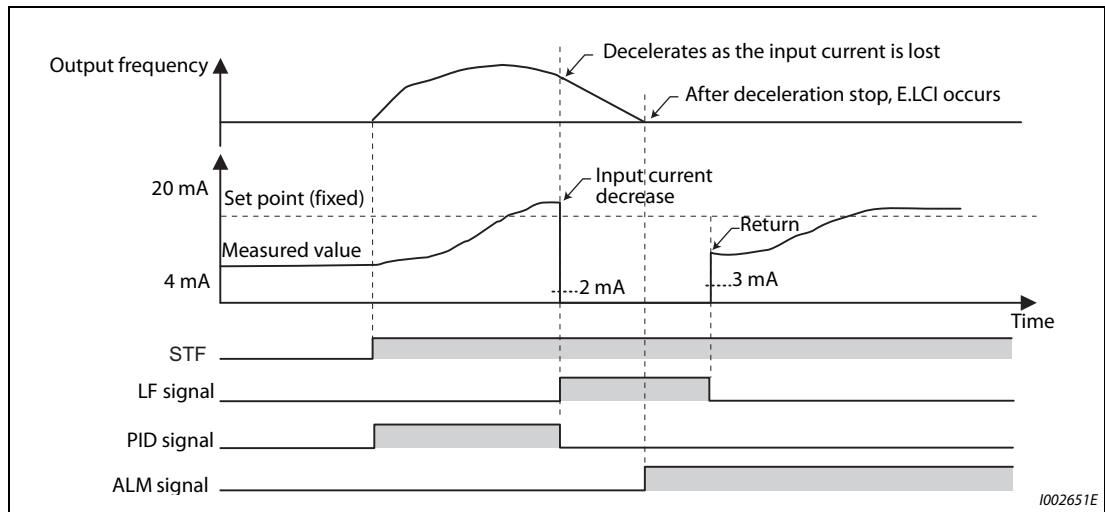


Fig. 5-131: Fault output after deceleration to stop (Pr. 573 = 3)

- The analog input current is restored during deceleration under PID control (reverse action)

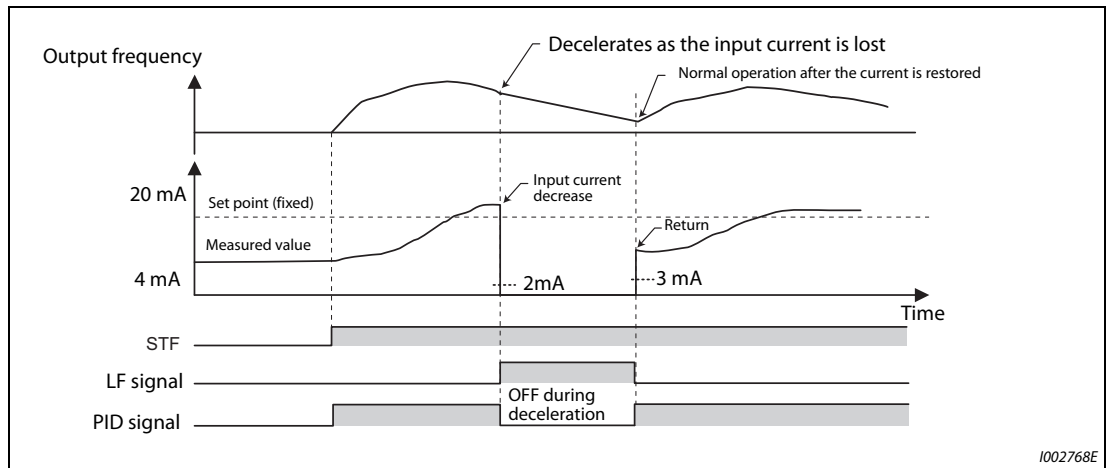


Fig. 5-132: Fault output after deceleration under PID control (reverse action) (Pr. 573 = 3)

Function related to current input check

Function	Operation	Refer to page
Minimum frequency	When the operation continues, setting of the minimum frequency against the running frequency is valid even during the current input loss.	5-176
Multi-speed operation	The multi-speed setting signal is prioritized even during current input loss (operate according to multi-speed setting even during operation in continuous frequency or during deceleration stop). When the multi-speed setting signal is turned OFF due to input current loss condition during the multi-speed operation, it will perform deceleration stop even if it is set to continue operation for current input loss.	5-60
JOG operation	JOG operation is prioritized even during current input loss (switch to JOB operation even during operation with continuous frequency or during deceleration stop). When the JOG signal is turned OFF due to input current loss condition during the JOG operation, it will perform deceleration stop even if it is set to continue operation for current input loss.	5-144
MRS signal	MRS signal is enabled even during current input loss (output is shut off with MRS signal ON even during operation with continuous frequency or during deceleration stop).	5-289
Remote setting	During operation with remote setting and transferred to operation continuation due to input current loss, acceleration, deceleration, and clear by the remote setting is invalid. They will become valid after restoring the current input loss.	5-111
Retry function	When the protective function has operated during the operation continuation due to current input loss, and retry was a success, operation will continue without clearing the operation continuation frequency.	5-164
Added compensation, override compensation	During operation with added compensation or override compensation and transferred to operation continuation due to input current loss, added compensation and override compensation will become invalid. They will become valid after restoring the current input loss.	5-261
Input filter time constant	Current input loss is detected with the value before the filter. Operation continuation before the input loss will use the value after the filter.	5-264
PID control	PID calculation is stopped during the current input loss. However, PID control will not be disabled (normal operation). During the pre-charge, end determination or fault determination by the pre-charge function will not be performed when the current input loss occurs. Sleep function is prioritized even during current input loss. When the clearing condition of the sleep function is met during the current input loss, operation is restored with continuation frequency.	5-353
Power failure stop	The power failure stop function is prioritized even if power failure current input loss is detected. Set frequency after the power failure stop and re-acceleration is the operation continuation frequency at the current input loss. When the E.LCI generation at the time of current input loss is selected, E.LCI will be generated after the power failure stop.	5-432
Traverse function	Traverse operation is performed based on frequency even during the operation continuation during current input loss.	5-346

Tab. 5-125: Functions related to the 4mA input check function

Parameters referred to			
Pr. 73	Analog input selection	=>	page 5-255
Pr. 267	Terminal 4 input selection	=>	page 5-255

5.9.8 Input terminal function selection

Use the following parameters to select or change the input terminal functions.

Pr.	Name	Initial value	Initial signal	Setting range
178 T700	STF terminal function selection	60	STF (Forward rotation command)	0 to 8, 10 to 14, 16, 18, 24, 25, 28, 37 to 40, 46 to 48, 50, 51, 60, 62, 64 to 67, 70 to 73, 77 to 81, 84, 94 to 98, 9999
179 T7001	STR terminal function selection	61	STR (Reverse rotation command)	0 to 8, 10 to 14, 16, 18, 24, 25, 28, 37 to 40, 46 to 48, 50, 51, 61, 62, 64 to 67, 70 to 73, 77 to 81, 84, 94 to 98, 9999
180 T702	RL terminal function selection	0	RL (Low-speed operation command)	0 to 8, 10 to 14, 16, 18, 24, 25, 28, 37 to 40, 46 to 48, 50, 51, 62, 64 to 67, 70 to 73, 77 to 81, 84, 94 to 98, 9999
181 T703	RM terminal function selection	1	RM (Middle-speed operation command)	
182 T704	RH terminal function selection	2	RH (High-speed operation command)	
183 T705	RT terminal function selection	3	RT (Second function selection)	
184 T706	AU terminal function selection	4	AU (Terminal 4 input selection)	
185 T707	JOG terminal function selection	5	JOG (Jog operation selection)	
186 T708	CS terminal function selection	9999	No function	
187 T709	MRS terminal function selection	24 ^①	MRS (Output stop)	
		10 ^②	X10 (Inverter run enable signal)	
188 T710	STOP terminal function selection	25	STP (STOP) (Start self-holding selection)	
189 T711	RES terminal function selection	62	RES (Inverter reset)	

Pr.	Name	Initial value	Setting range	Description
699 T740	Input terminal filter	9999	5 to 50 ms	Set the time to delay the input terminal response.
			9999	No input terminal filter

① The initial value is for standard models.

② The initial value is for separated converter types.

NOTES

Using the SOURCE/SINK jumper (and the particular connection of the PC/SD terminal as a reference point), the input terminals can be changed between positive switching (source logic) or negative switching (sink logic) depending on regional requirements.

Connection diagrams in this Instruction Manual appear with the control logic of the input terminal as source logic, unless otherwise specified. (For the control logic, refer to page 2-50.)

Input terminal function assignment

- Using Pr. 178 to Pr. 189, set the functions of the input terminals
- Refer to the following table and set the parameters.

Setting	Signal name	Function	Related parameter	Refer to page	
0	RL	Pr. 59 = 0 (initial value)	Low-speed operation command	Pr. 4 to Pr. 6, Pr. 24 to Pr. 27, Pr. 232 to Pr. 239	5-60
		Pr. 59 ≠ 0 ①	Remote setting (setting clear)	Pr. 59	5-111
1	RM	Pr. 59 = 0 (initial value)	Middle-speed operation command	Pr. 4 to Pr. 6, Pr. 24 to Pr. 27, Pr. 232 to Pr. 239	5-60
		Pr. 59 ≠ 0 ①	Remote setting (deceleration)	Pr. 59	5-111
2	RH	Pr. 59 = 0 (initial value)	High-speed operation command	Pr. 4 to Pr. 6, Pr. 24 to Pr. 27, Pr. 232 to Pr. 239	5-60
		Pr. 59 ≠ 0 ①	Remote setting (acceleration)	Pr. 59	5-111
3	RT	Second function selection	Pr. 44 to Pr. 51, Pr. 450 to Pr. 463, Pr. 569, Pr. 832, etc.	5-291	
4	AU	Terminal 4 input selection	Pr. 267	5-255	
5	JOG	Jog operation selection	Pr. 15, Pr. 16	5-144	
6	CS	Selection of automatic restart after instantaneous power failure, flying start	Pr. 57, Pr. 58, Pr. 162 to Pr. 165, Pr. 299, Pr. 611	5-415, 5-423	
		Electronic bypass function	Pr. 57, Pr. 58, Pr. 135 to Pr. 139, Pr. 159	5-333	
7	OH	External thermal relay input ②	Pr. 9	5-150	
8	REX	15-speed selection (Combination with multi-speeds of RL, RM, and RH)	Pr. 4 to Pr. 6, Pr. 24 to Pr. 27, Pr. 232 to Pr. 239	5-60	
10	X10	Inverter run enable signal (FR-HC2/FR-CV/FR-CC2 connection)	Pr. 30, Pr. 599	5-552	
11	X11	FR-HC2/FR-CC2 connection, instantaneous power failure detection	Pr. 30	5-552	
12	X12	PU operation external interlock	Pr. 79	5-119	
13	X13	External DC injection brake operation start	Pr. 10 to Pr. 12	5-545	
14	X14	PID control valid terminal	Pr. 127 to Pr. 134, Pr. 575 to Pr. 577	5-353	
16	X16	PU/External operation switchover (External operation with X16-ON)	Pr. 79, Pr. 340	5-119	
18	X18	V/F switchover (V/F control with X18-ON)	Pr. 80, Pr. 81, Pr. 800	5-41	
24	MRS	Output stop	Pr. 17	5-289	
		Electronic bypass function	Pr. 57, Pr. 58, Pr. 135 to Pr. 139, Pr. 159	5-333	
25	STP (STOP)	Start self-holding selection	Pr. 250	5-293	
28	X28	Start-time tuning start external input	Pr. 95	5-327	
37	X37	Traverse function selection	Pr. 592 to Pr. 597	5-346	
38	PDI1	PID multistage set point setting 1	Pr. 1460 to Pr. 1466	5-353	
39	PDI2	PID multistage set point setting 2			
40	PDI3	PID multistage set point setting 3			
46	TRG	Trace trigger input	Pr. 1020 to Pr. 1047	5-443	
47	TRC	Trace sampling start/end	Pr. 1020 to Pr. 1047	5-443	
48	X48	Power failure stop external	Pr. 261 to Pr. 266, Pr. 294, Pr. 668	5-432	
50	SQ	Sequence start	Pr. 414	5-439	
51	X51	Fault clear	Pr. 414	5-439	
60	STF	Forward rotation command (Assignable to the STF terminal (Pr. 178) only)	Pr. 250	5-293	
61	STR	Reverse rotation command (Assignable to the STR terminal (Pr. 179) only)	Pr. 250	5-293	
62	RES	Inverter reset	Pr. 75	5-63	
64	X64	During retry	Pr. 127 to Pr. 134	5-353	

Tab. 5-126: Input terminal function assignment (1)

Setting	Signal name	Function	Related parameter	Refer to page
65	X65	PU/NET operation switchover (PU operation with X65-ON)	Pr. 79, Pr. 340	5-119
66	X66	External/NET operation switchover (NET operation with X66-ON)	Pr. 79, Pr. 340	5-119
67	X67	Command source switchover (Command by Pr. 338, Pr. 339 enabled with X67-ON)	Pr. 338, Pr. 339	5-130
70	X70	DC feeding operation permission ^④	Pr. 30	5-552
71	X71	DC feeding cancel ^④	Pr. 30	5-552
72	X72	PID P control switchover	Pr. 127 to Pr. 134, Pr. 575 to Pr. 577	5-353
73	X73	Second PID P control switchover	Pr. 127 to Pr. 134, Pr. 575 to Pr. 577	5-353
77	X77	Pre-charge end command	Pr. 760 to Pr. 764	5-385
78	X78	Second pre-charge end command	Pr. 765 to Pr. 769	5-385
79	X79	Second PID forward/reverse action switchover	Pr. 753 to Pr. 758	5-353
80	X80	Second PID control valid terminal	Pr. 753 to Pr. 758	5-353
81	PGT	PID gain tuning start/forced end	Pr. 1211 to Pr. 1219	5-373
84	X84	Emergency drive execution command ^④	Pr. 514, Pr. 515, Pr. 523, Pr. 524, Pr. 1013	5-167
94	X94	Control signal input for main circuit power supply MC	Pr. 30, Pr. 137, Pr. 248, Pr. 254	5-342
95	X95	Converter unit fault input	Pr. 57, Pr. 58, Pr. 135 to Pr. 139, Pr. 159	5-333
96	X96	Converter unit fault input (E.OHT, E.CPU) input		
97	X97	Cleaning valid	Pr. 1469 to Pr. 1479	5-348
98	X98	Cleaning trigger		
9999	—	No function	—	—

Tab. 5-126: Input terminal function assignment (2)

- ① When Pr. 59 "Remote function selection" ≠ "0", functions of the RL, RM, and RH signals will be changed as in the table.
- ② OH signal will operate with the relay contact "open".
- ③ Available when the plug-in option is connected. For details, refer to the Instruction Manual of the option.
- ④ The setting is available only for standard models.

NOTES

Same function can be assigned to two or more terminals. In this case, the logic of terminal input is OR.

Priority of the speed command is JOG > multi-speed setting (RH, RM, RL, REX) > PID (X14).

When the (X10) signal is not set up, Pr. 79 "Operation mode selection" = "7", and PU operation external interlock (X12) signal is Inverter run enable signal.

Same signal is used to assign multi-speed (7 speed) and remote setting. Setting cannot be performed individually.

When the terminal assignment is changed using Pr. 178 to Pr. 189 (input terminal function selection), the terminal name will be different, which may result in an error of wiring, or affect other functions. Set parameters after confirming the function of each terminal.

Adjusting the response of input terminal (Pr. 699)

Response of the input terminal can be delayed in a range between 5 to 50 ms. (Example of STF signal operation)

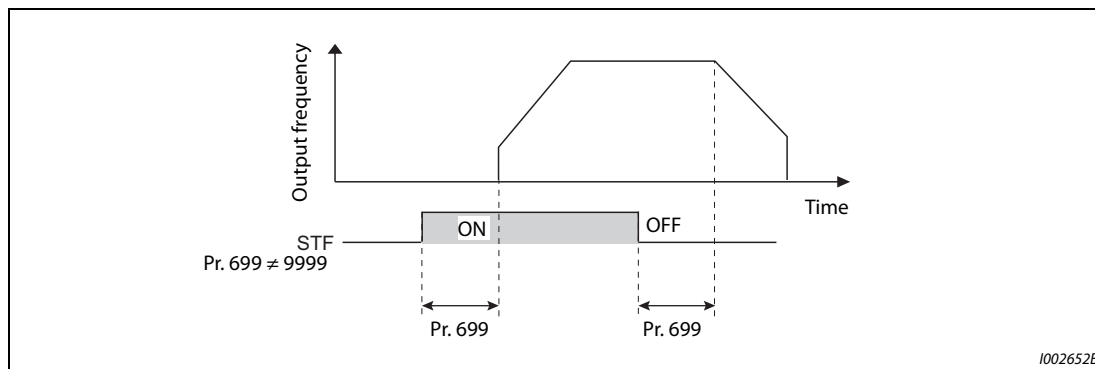


Fig. 5-133: Adjusting the response of input terminal (Pr. 699)

NOTE

Setting of Pr. 699 is disabled (no filter) in the following cases:

- Input terminal is already turned ON when the power is turned ON
- Input signal used for the PLC function
- Inverter run enable signal (X10) signal

5.9.9 Inverter output shutoff signal

The inverter output can be shut off with the MRS signal. The logic of the MRS signal can also be selected.

Pr.	Name	Initial value	Setting range	Description
17 T720	MRS input selection	0	0	Normally open input
			2	Normally closed input (NC contact input specification)
			4	External terminal: Normally closed input (NC contact input specification) Communication: Normally open input

About output shutoff signal (MRS signal)

- When the Output stop (MRS) signal is turned ON while operating the inverter, inverter output is instantaneously shut off.
- The response time of the MRS signal is within 2 ms.

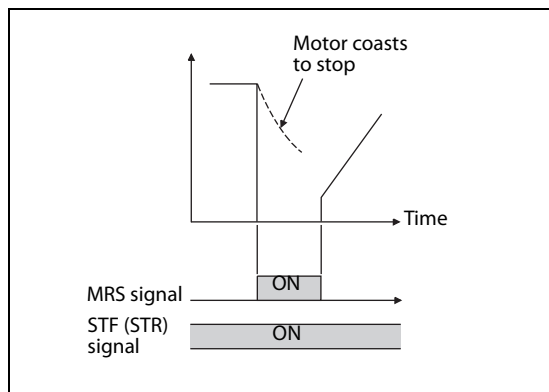


Fig. 5-134:
Output shutoff signal

I002653E

- Terminal MRS may be used as described below.
 - To use a mechanical brake (e.g. electromagnetic brake) to stop the motor
The inverter output is shut off when the mechanical brake operates.
 - To provide interlock to disable operation by the inverter
With the MRS signal ON, the inverter cannot be operated even if the start signal is entered into the inverter.
 - To coast the motor to a stop
When the start signal is turned OFF, the inverter decelerates the motor to a stop in the preset deceleration time, but when the MRS signal is turned ON, the motor coasts to a stop.

MRS signal logic inversion (Pr. 17 = "2")

When Pr.17 = "2", the MRS signal can be changed to normally closed (NC contact) specification. The inverter will shut off the output with MRS signal turned ON (opened).

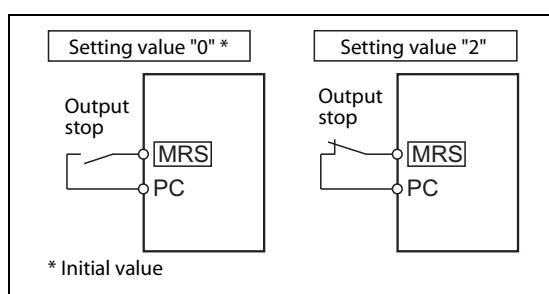


Fig. 5-135:
Connection of the MRS terminal in source logic

I002772E_G

Assigning a different action for each MRS signal input via communication and external terminal (Pr. 17 = "4")

When Pr. 17 = "4", the MRS signal from an external terminal can be set as the normally closed (NC contact) input, and the MRS signal from communication as the normally open (NO contact) input. This function is useful to perform operation by communication with MRS signal from external terminal remained ON.

External MRS	Communication MRS	Pr. 17 setting		
		0	2	4
OFF	OFF	Operation enabled	Output shutoff	Output shutoff
OFF	ON	Output shutoff	Output shutoff	Output shutoff
ON	OFF	Output shutoff	Output shutoff	Operation enabled
ON	ON	Output shutoff	Operation enabled	Output shutoff

Tab. 5-127: Output shutoff by external terminal or communication

NOTES

The MRS signal is assigned to the terminal MRS in the initial status. By setting "24" in either Pr. 178 to Pr. 189 (input terminal function selection), the RT signal can be assigned to the other terminal.

When using an external terminal to input the MRS signal, the MRS signal shuts off the output in any of the operation modes.

MRS signal is valid from either of communication or external, but when the MRS signals is to be used as Inverter run enable signal (X10), it is required to input from external.

When the terminal assignment is changed using Pr. 178 to Pr. 189 (input terminal function selection), the terminal name will be different, which may result in an error of wiring, or affect other functions. Set parameters after confirming the function of each terminal.

Parameters referred to		
Pr. 178 to Pr. 189	(input terminal function selection)	=> page 5-285

5.9.10 Selecting operation condition of the second function selection signal (RT)

Second function can be selected by the RT signal.

Operating condition (validity condition) for second (third) function can be also set.

Pr.	Name	Initial value	Setting range	Description
155 T730	RT signal function validity condition selection	0	0	Second function is immediately enabled with ON of RT signal.
			10	Second function will be enabled while RT signal is ON and running in constant speed. (Disabled while accelerating or decelerating)

- Turning ON the Second function selection (RT) signal enables the second functions.
- The following table lists application examples of the second functions.
 - Switching between regular use and emergency use
 - Switching between heavy load and light load
 - Change the acceleration/deceleration time by break point acceleration/deceleration
 - Switching characteristics of main motor and sub motor

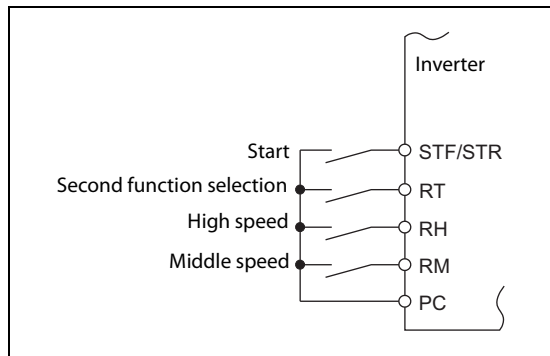


Fig. 5-136:
Connection diagram for second function selection

I002655E_G

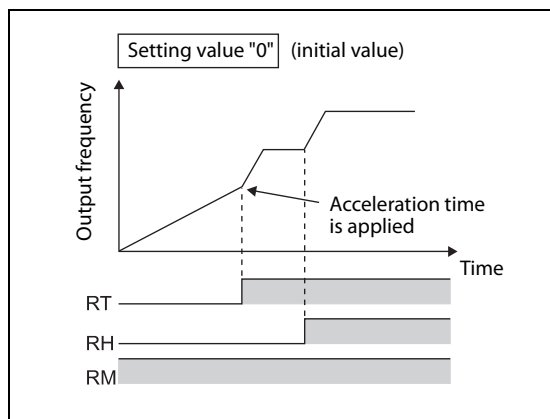


Fig. 5-137:
Example of second acceleration/deceleration time

I001146E

- When the RT signal is ON, the following second functions are selected at the same time.

Function	First function Parameter number	Second function Parameter number	Refer to page
Torque boost	Pr. 0	Pr. 46	5-535
Base frequency	Pr. 3	Pr. 47	5-537
Acceleration time	Pr. 7	Pr. 44	5-102
Deceleration time	Pr. 8	Pr. 44, Pr. 45	5-102
Electronic thermal O/L relay	Pr. 9	Pr. 51	5-150
Free thermal	Pr. 600 to Pr. 604	Pr. 692 to Pr. 696	
Motor permissible load level ^①	Pr. 607	Pr. 608	5-150
Stall prevention	Pr. 22	Pr. 48, Pr. 49	5-180
Applicable motor ^①	Pr. 71	Pr. 450	5-297
Motor constant ^①	Pr. 80 to Pr. 84, Pr. 89 to Pr. 94, Pr. 298, Pr. 702, Pr. 706, Pr. 707, Pr. 711, Pr. 712, Pr. 717, Pr. 721, Pr. 724, Pr. 725, Pr. 859	Pr. 453 to Pr. 457, Pr. 560, Pr. 569, Pr. 458 to Pr. 462, Pr. 738 to Pr. 747, Pr. 860	5-303, 5-316
Offline auto tuning ^①	Pr. 96	Pr. 463	5-303, 5-316
Online auto tuning ^①	Pr. 95	Pr. 574	5-327
PID control	Pr. 127 to Pr. 134	Pr. 753 to Pr. 758	5-353
PID Pre-charge function	Pr. 760 to Pr. 764	Pr. 765 to Pr. 769	5-385
Speed control gain	Pr. 820, Pr. 821	Pr. 830, Pr. 831	5-55
Analog input filter	Pr. 822, Pr. 826	Pr. 832, Pr. 836	5-264
Torque control gain	Pr. 824, Pr. 825	Pr. 834, Pr. 835	5-55
Torque detection filter	Pr. 827	Pr. 837	5-59

Tab. 5-128: Functions, that can be set as second functions

- ^① The function can be changed by switching the RT signal ON/OFF while the inverter is stopped. If a signal is switched during operation, the operation method changes after the inverter stops, (Pr. 450 ≠ 9999).

NOTES

RT signal is assigned to the terminal RT in the initial status. Set "3" in any of Pr. 178 to Pr. 189 (input terminal function selection) to assign the RT signal to another terminal.

Changing the terminal assignment using Pr. 178 to Pr. 189 (input terminal function selection) may affect the other functions. Set parameters after confirming the function of each terminal.

Parameters referred to		
Pr. 178 to Pr. 189	(input terminal function selection)	=> page 5-285

5.9.11 Start signal operation selection

Operation of start signal (STF/STR) can be selected.

Select the stopping method (deceleration to stop or casting) at turn-OFF of the start signal.
Use this function to stop a motor with a mechanical brake at turn-OFF of the start signal.

Pr.	Name	Initial value	Setting range	Description	
				Start signal (STF/STR)	Stop operation (Refer to page 5-293)
250 G106	Stop selection	9999	0 to 100 s	STF signal: Forward rotation start STR signal: Reverse rotation start	Turn OFF the start signal and it will coast to stop after the specified time period. When set to 1000 s to 1100 s, it will coast to stop after (Pr. 250 – 1000) s.
			1000 s to 1100 s	STF signal: Start signal STR signal: Forward/reverse rotation signal	
			9999	STF signal: Forward rotation start STR signal: Reverse rotation start	It will perform deceleration stop when the start signal is turned OFF.
			8888	STF signal: Start signal STR signal: Forward/reverse rotation signal	

2-wire type (STF, STR signal)

- The following figure shows the connection in 2-wire type.
- As an initial setting, forward/reverse rotation signals (STF/STR) acts as both start and stop signals. Either one turned ON will be enabled, and the operation will follow that signal. The motor will perform a deceleration stop when both are turned OFF (or both are turned ON) during the operation.
- There are methods such as inputting 0 to 10 V DC between the speed setting input terminals 2 and 5, or Pr. 4 to Pr. 6 (multi-speed setting (fast, medium, slow)) for the frequency setting signal. (For multi-speed operation, refer to page 5-60.)
- By setting Pr. 250 = "1000 to 1100, 8888", STF signal becomes start command and STR signal becomes forward/reverse command.

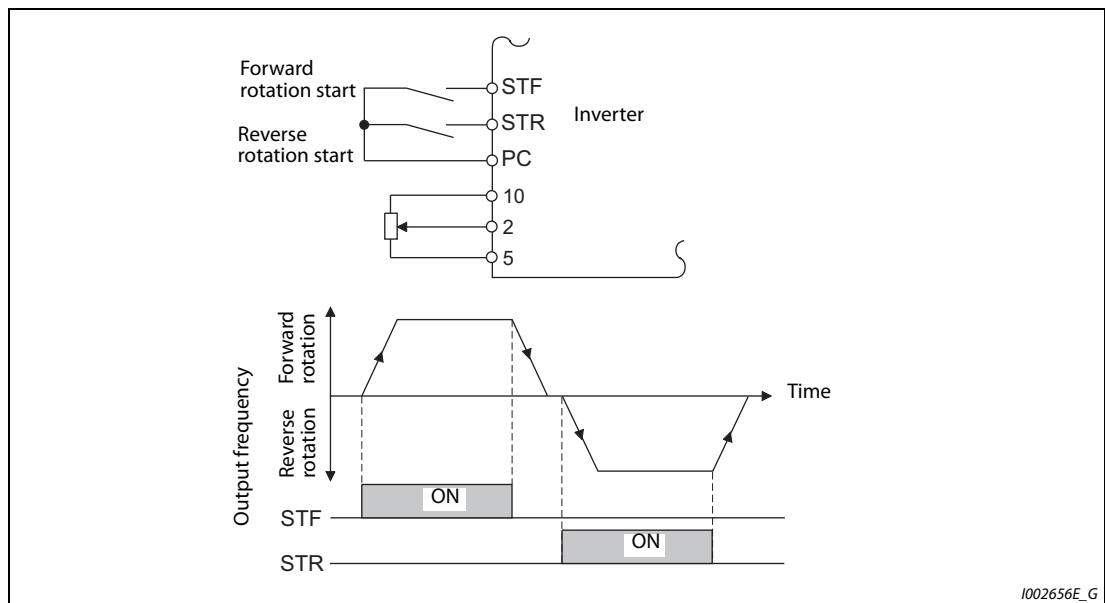


Fig. 5-138: 2-wire type connection example (Pr. 250 = "9999")

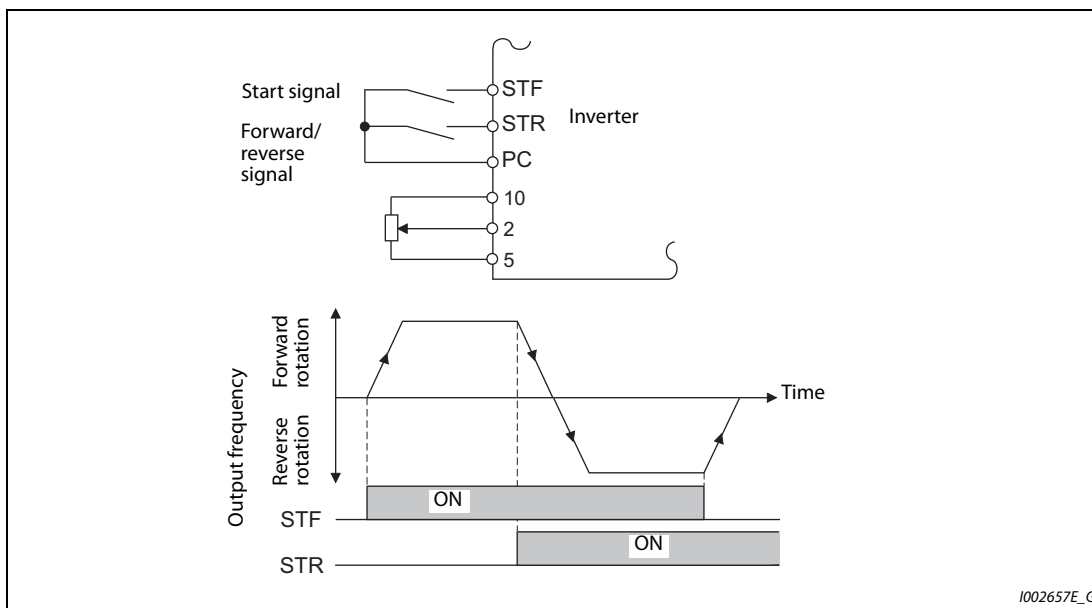


Fig. 5-139: 2-wire type connection example (Pr. 250 = "8888")

NOTES

By setting Pr. 250 = "0 to 100, 1000 to 1100", it will perform coast to stop when the start command is turned OFF. (Refer to page 5-293.)

The STF and STR signals are assigned to the STF and STR terminals in the initial status. STF signal can be assigned to a terminal by Pr. 178 "STF terminal function selection", and STR signal can be assigned to a terminal by Pr. 179 "STR terminal function selection".

3-wire type (STF, STR, STP (STOP) signal)

- The following figure shows the connection in 3-wire type.
- Start self-holding function is enabled when the STP (STOP) signal is turned ON. In such case, forward/reverse signal will only operate as start signal.
- Even if start signal (STF or STR) is turned ON and then OFF, the start signal will be maintained and it will start. To change the rotation direction, turn STR (STF) ON once and then OFF.
- Inverter will perform deceleration stop by turning the STP (STOP) signal OFF once.

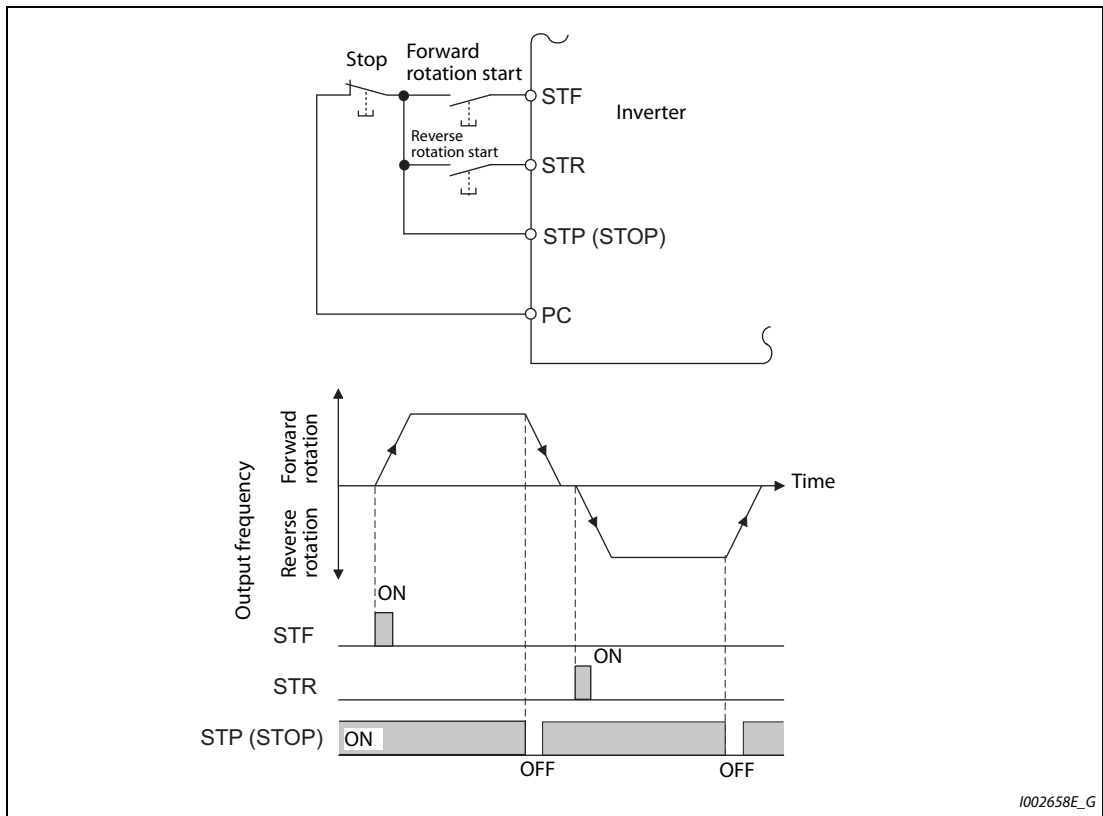


Fig. 5-140: 3-wire type connection example (Pr. 250 = "9999")

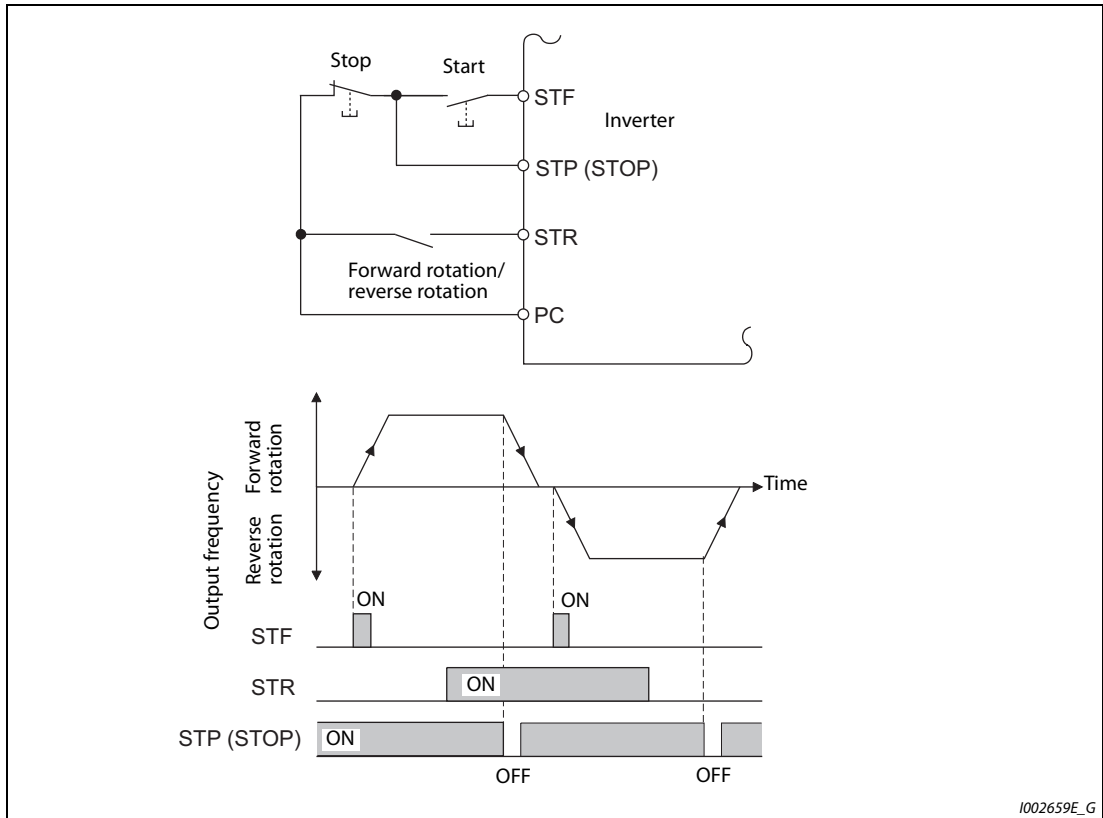


Fig. 5-141: 3-wire type connection example (Pr. 250 = "8888")

NOTES

The STP (STOP) signal is assigned to the STP (STOP) terminal by the initial setting. Set "25" in any of Pr. 178 to Pr. 189 to assign the STP (STOP) signal to another terminal.

When the JOG operation is enabled by turning ON the JOG signal, STP (STOP) signal will be disabled.

Even when the output is stopped by turning ON the MRS signal, self-holding function is not cancelled.

Start signal selection

STF	STR	Pr. 250 setting and inverter condition	
		0 to 100 s, 9999	1000 s to 1100 s, 8888
OFF	OFF	Stop	Stop
OFF	ON	Reverse rotation	
ON	OFF	Forward rotation	Forward rotation
ON	ON	Stop	Reverse rotation

Tab. 5-129: Start signal selection

Parameters referred to			
Pr. 4 to Pr. 6	(multi-speed setting)	=>	page 5-60
Pr. 178 to Pr. 189	(input terminal function selection)	=>	page 5-285

5.10 (C) Motor constant parameters

Purpose	Parameter to set			Refer to page
To select the motor to be used	Applicable motor	P.C100, P.C200	Pr. 71, Pr. 450	5-297
To run by maximizing the performance of the induction motor	Offline auto tuning	P.C000, P.C100 to P.C105, P.C107, P.C108, P.C110, P.C120 to P.C126, P.C200 to P.C205, P.C207, P.C208, P.C210, P.C220 to P.C226	Pr. 9, Pr. 51, Pr. 71, Pr. 80 to Pr. 84, Pr. 90 to Pr. 94, Pr. 96, Pr. 453 to Pr. 463, Pr. 684, Pr. 707, Pr. 724, Pr. 744, Pr. 745, Pr. 859, Pr. 860	5-45
To run by maximizing the performance of the PM motor	PM motor offline auto tuning	P.C000, P.C100 to P.C108, P.C110, P.C120, P.C122, P.C123, P.C126, P.C130 to P.C133, P.C150, P.C182, P.C185, P.C200 to P.C208, P.C210, P.C220, P.C222, P.C223, P.C226, P.C230 to P.C233, P.C282, P.C285	Pr. 9, Pr. 51, Pr. 71, Pr. 80, Pr. 81, Pr. 83, Pr. 84, Pr. 90, Pr. 92, Pr. 93, Pr. 96, Pr. 450, Pr. 453, Pr. 454, Pr. 456 to Pr. 458, Pr. 460, Pr. 461, Pr. 463, Pr. 684, Pr. 702, Pr. 706, Pr. 707, Pr. 711, Pr. 712, Pr. 717, Pr. 721, Pr. 724, Pr. 725, Pr. 738 to Pr. 747, Pr. 788, Pr. 859, Pr. 860, Pr. 1002	5-316
To perform high accuracy operation without being affected by temperature and high-torque/ultra-low speed	Online auto tuning	P.C111, P.C211	Pr. 95, Pr. 574	5-45

5.10.1 Applied motor

By setting the applied motor type, the thermal characteristic appropriate for the motor can be selected.

When using a constant-torque or PM motor, the electronic thermal O/L relay is set according to the used motor.

If the Advanced magnetic flux vector control or PM motor control is selected, the motor constant necessary for control (SF-PR, SF-JR, SF-HR, SF-JRCA, SF-HRCA, MM-EFS, MM-THE4, etc.) is also selected at the same time.

Pr.	Name	Initial value	Setting range	Description
71 C100	Applied motor	0	0 to 6, 13 to 16, 20, 23, 24, 40, 43, 44, 50, 53, 54, 70, 73, 74, 3210, 213, 214, 240, 243, 244, 8090, 8093, 8094, 9090, 9093, 9094	By selecting a motor, the thermal characteristic and motor constant of each motor are set.
450 C200	Second applied motor	9999	0, 1, 3 to 6, 13 to 16, 20, 23, 24, 40, 43, 44, 50, 53, 54, 70, 73, 74, 210, 213, 214, 240, 243, 244, 8093, 8094, 9090, 9093, 9094	Set it when using the second motor. (the same specifications as Pr. 71)
			9999	The function is disabled.

Setting the applied motor

Refer to the following list and set the parameters according to the applied motor.

Pr. 71	Pr. 450	Motor	Constant value range when performing offline auto tuning (increment)	Operational characteristic of the electronic thermal O/L relay			
				Standard	Constant-torque	PM	
0 (Pr. 71 initial value)		Standard motor (such as SF-JR)	Pr. 82 (Pr. 455) and Pr. 859 (Pr. 860) <ul style="list-style-type: none"> • 0 to 500 A, 9999 (0.01 A) ① • 0 to 3600 A, 9999 (0.1 A) ② Pr. 90 (Pr. 458) and Pr. 91 (Pr. 459) <ul style="list-style-type: none"> • 0 to 50 Ω, 9999 (0.001 Ω) ① • 0 to 400 mΩ, 9999 (0.01 mΩ) ② Pr. 92 (Pr. 460) and Pr. 93 (Pr. 461) (Induction motor) <ul style="list-style-type: none"> • 0 to 6000 mH, 9999 (0.1 mH) ① • 0 to 400 mH, 9999 (0.01 mH) ② Pr. 92 (Pr. 460) and Pr. 93 (Pr. 461) (PM motor) <ul style="list-style-type: none"> • 0 to 500 mH, 9999 (0.01 mH) ① • 0 to 50 mH, 9999 (0.001 mH) ② Pr. 94 (Pr. 462) <ul style="list-style-type: none"> • 0 to 100%, 9999(0.1%) ① • 0 to 100%, 9999(0.01%) ② Pr. 706 (Pr. 738) <ul style="list-style-type: none"> • 0 to 5000 mV/(rad/s), 9999 (0.1 mV/(rad/s)) 	○			
1		Constant-torque motor (SF-JRCA, etc.)			○		
2	—	Standard motor (such as SF-JR) Adjustable 5 points V/F (Refer to page 5-542.)			○		
20		Mitsubishi standard motor (SF-JR 4P 1.5 kW or lower)				○	
40		Mitsubishi high-efficiency motor SF-HR			○		
50		Mitsubishi constant-torque motor SF-HRCA				○	
70		Mitsubishi high-performance energy-saving motor SF-PR				○	
210		IPM motor MM-EFS (1500 r/min specification)/MM-THE4				○	
240		IPM motor MM-EFS (3000 r/min specification)				○	
8090		IPM motor (other than MM-EFS/MM-THE4)				○	
9090		SPM motor				○	
3 (4) ③		Standard motor (such as SF-JR)		Pr. 82 (Pr. 455), Pr. 859 (Pr. 860), Pr. 90 (Pr. 458), Pr. 91 (Pr. 459), Pr. 92 (Pr. 460), Pr. 93 (Pr. 461), Pr. 94 (Pr. 462) and Pr. 706 (Pr. 738) <ul style="list-style-type: none"> • Internal data value 0 to 65534, 9999 (1) The display increment can be changed in Pr. 684.	○		
13 (14) ③		Constant-torque motor (SF-JRCA, etc.)				○	
23 (24) ③		Mitsubishi standard motor (SF-JR 4P 1.5 kW or lower)					○
43 (44) ③		Mitsubishi high-efficiency motor SF-HR			○		
53 (54) ③		Mitsubishi constant-torque motor SF-HRCA				○	
73 (74) ③		Mitsubishi high-performance energy-saving motor SF-PR				○	
213 (214) ③		IPM motor MM-EFS (1500 r/min specification)/MM-THE4				○	
243 (244) ③		IPM motor MM-EFS (3000 r/min specification)				○	
8093 (8094) ③		IPM motor (other than MM-EFS/MM-THE4)				○	
9093(9094) ③		SPM motor				○	

Tab. 5-130: Setting of parameter Pr. 71 and Pr. 450 (1)

Pr. 71	Pr. 450	Motor	Constant value range when performing offline auto tuning (increment)		Operational characteristic of the electronic thermal O/L relay		
					Standard	Constant-torque	PM
5		Standard motor	Star connection	Pr. 82 (Pr. 455) and Pr. 859 (Pr. 860) • 0 to 500 A, 9999 (0.01 A) ① • 0 to 3600 A, 9999 (0.1 A) ②	○		
15		Constant-torque motor					○
6		Standard motor	Delta connection	Pr. 90 (Pr. 458) and Pr. 91 (Pr. 459) • 0 to 50 Ω, 9999 (0.001 Ω) ① • 0 to 400 mΩ, 9999 (0.01 mΩ) ②	○		
16		Constant-torque motor					
—	9999 (initial value)	No second applied motor					

Tab. 5-130: Setting of parameter Pr. 71 and Pr. 450 (2)

- ① For the FR-F820-02330(55K) or lower and FR-F840-01160(55K) or lower.
 ② For the FR-F820-03160(75K) or higher and FR-F840-01800(75K) or higher.
 ③ The same operation is performed for both settings.

NOTES

Regardless of the Pr. 71 (Pr. 450) setting, offline auto tuning can be performed according to Pr. 96 (Pr. 463) "Auto tuning setting/status". (Refer to page 5-45 for offline auto tuning.)

Using two types of motors (RT signal, Pr. 450)

- When using two types of motors with one inverter, set Pr. 450 "Second applied motor".
- The setting value "9999" (initial value) disables second applied motor.
- If Pr. 450 \neq 9999, the following parameters will be enabled by turning ON the Second function selection (RT) signal.

Function	RT signal ON (second motor)	RT signal OFF (first motor)
Electronic thermal O/L relay	Pr. 51	Pr. 9
Applied motor	Pr. 450	Pr. 71
Motor capacity	Pr. 453	Pr. 80
Number of motor poles	Pr. 454	Pr. 81
Motor excitation current	Pr. 455	Pr. 82
Rated motor voltage	Pr. 456	Pr. 83
Rated motor frequency	Pr. 457	Pr. 84
Motor constant (R1)	Pr. 458	Pr. 90
Motor constant (R2)	Pr. 459	Pr. 91
Motor constant (L1)/d-axis inductance (Ld)	Pr. 460	Pr. 92
Motor constant (L2)/q-axis inductance (Lq)	Pr. 461	Pr. 93
Motor constant (X)	Pr. 462	Pr. 94
Auto tuning setting/status	Pr. 463	Pr. 96
Frequency search gain	Pr. 560	Pr. 298
Online auto tuning selection	Pr. 574	Pr. 95
Induced voltage constant (ϕ f)	Pr. 738	Pr. 706
Motor Ld decay ratio	Pr. 739	Pr. 711
Motor Lq decay ratio	Pr. 740	Pr. 712
Starting resistance tuning compensation	Pr. 741	Pr. 717
Starting magnetic pole position detection pulse width	Pr. 742	Pr. 721
Maximum motor frequency	Pr. 743	Pr. 702
Motor inertia (integer)	Pr. 744	Pr. 707
Motor inertia (exponent)	Pr. 745	Pr. 724
Motor protection current level	Pr. 746	Pr. 725
Torque current/Rated PM motor current	Pr. 860	Pr. 859

Tab. 5-131: Validation of parameters by the RT signal**NOTES**

The RT signal is a second function selection signal. The RT signal also enables other second functions. (Refer to page 5-291.)

The RT signal is assigned to the terminal RT in the initial status. Set "3" in any of Pr. 178 to Pr. 189 (input terminal function selection) to assign the RT signal to another terminal.

Changing the terminal assignment using Pr. 178 to Pr. 189 (input terminal function selection) may affect the other functions. Set parameters after confirming the function of each terminal.

Automatic change of torque boost for the SF-PR motor

- When the SF-PR motor is selected (Pr. 71 = "70, 73, or 74"), the Pr. 0 "Torque boost" setting is automatically changed to enable output of the 6 Hz 150% torque under V/F control by setting Pr. 81 "Number of motor poles" according to the number of the SF-PR motor poles.

NOTES

When using the automatic change of torque boost for the SF-PR motor, set Pr. 14 "Load pattern selection" = "0".

When the Pr. 0 setting is changed from its initial value, the automatic change is not performed.

Automatic change of Pr. 0 "Torque boost" and Pr. 12 "DC injection brake operation voltage"

When initial values are set in Pr. 0 and Pr. 12, the Pr. 0 and Pr. 12 settings are automatically changed to the values in the table below by changing the Pr. 71 setting.

Inverter		Pr. 0 value (%) after automatic change						Pr. 12 value (%) after automatic change		
FR-F820-[]	FR-F840-[]	Standard motor ^①	Constant-torque motor ^②	SF-PR ^③				Standard motor ^①	Constant-torque motor ^②	SF-PR ^③
				Pr. 81 ≠ 2, 4, 6	Pr. 81 = 2	Pr. 81 = 4	Pr. 81 = 6			
00046(0.75K)	00023(0.75K)	6	6	4	7.4	6	6.4	4	4	4
00077(1.5K)	00038(1.5K)	4	4	3	5.8	5	3.7	4	4	2.5
00105(2.2K)	00052(2.2K)	4	4	2.5	6	4.5	3.3	4	4	2.5
00167(3.7K)	00083(3.7K)	4	4	2.5	6.4	4.5	4.2	4	4	2.5
00250(5.5K)	00126(5.5K)	3	2	2	4.5	3.7	3.3	4	2	2
00340(7.5K)	00170(7.5K)	3	2	2	4.4	4.5	3.8	4	2	2
00490(11K)	00250(11K)	2	2	1.5	3.5	3.3	3.5	2	2	1.5
00630(15K)	00310(15K)	2	2	1.5	4.5	3	3.5	2	2	1.5
00770(18.5K)	00380(18.5K)	2	2	1.5	4	3.2	3	2	2	1.5
00930(22K)	00470(22K)	2	2	1.5	2.5	3.4	3	2	2	1
01250(30K)	00620(30K)	2	2	1	3	2	2.5	2	2	1
01540(37K)	00770(37K)	2	2	1	2	2.5	2.6	2	2	1
01870(45K)	00930(45K)	1.5	1.5	1	2	2	2.4	2	2	1
02330(55K)	01160(55K)	1.5	1.5	0.7	2	2	0.7	2	2	1
03160(75K) or higher	01800(75K) or higher	1	1	1	1	1	1	1	1	1

Tab. 5-132: Automatic change of Pr. 0 and Pr. 12 by changing Pr. 71 setting

- ① When changed to Pr. 71 = "0, 2 to 6, 20, 23, 24, 40, 43, or 44" (standard motor)
- ② When changed to Pr. 71 = "1, 13 to 16, 50, 53, or 54" (constant-torque motor)
- ③ When changed to Pr. 71 = "70, 73, or 74" (SF-PR)

NOTE

When the Pr. 0 and Pr. 12 settings are changed from their initial values, automatic change is not performed.

When the SF-PR motor is selected (Pr. 71="70, 73, or 74"), the output current may become large due to a small load by setting Pr. 81 "Number of motor poles" according to the number of the SF-PR motor poles.

When the SF-PR motor is used, the output current tends to increase compared with the case where the SF-JR or SF-HR motor is used. With its torque boost value automatically changed, the output current could increase depending on the load conditions.

When the protective function, such as the electronic thermal O/L relay (E.THT, E.THM) or the stall prevention (OL, E.OLT), etc. is activated, adjust the Pr. 0 "Torque boost setting" according to the load.

**CAUTION:**

Make sure to set this parameter correctly according to the motor used. Incorrect setting may cause the motor and inverter to overheat and burn.

Parameters referred to			
Pr. 0	Torque boost	=>	page 5-535
Pr. 12	DC injection brake operation voltage	=>	page 5-545
Pr. 14	Load pattern selection	=>	page 5-539
Pr. 96	Auto tuning setting/status	=>	page 5-45
Pr. 100 to Pr. 109	(Adjustable 5 points V/F)	=>	page 5-542
Pr. 178 to Pr. 189	(input terminal function selection)	=>	page 5-285
Pr. 684	Tuning data unit switchover	=>	page 5-45

5.10.2 Offline auto tuning

The offline auto tuning enables the optimal operation of an motor.

What is offline auto tuning?

Under Advanced magnetic flux vector control operation, measuring motor constants automatically (offline auto tuning) enables optimal operation of motors even when motor constants vary, when a motor of another company is used or when the wiring distance is long.

For the offline auto tuning for a PM motor, refer to page 5-316.

Pr.	Name	Initial value	Setting range	Description
684 C000	Tuning data unit switchover	0	0	Internal data converted value
			1	The value is indicated with "A, Ω, mH or %".
71 C100	Applied motor	0	0 to 6, 13 to 16, 20, 23, 24, 40, 43, 44, 50, 53, 54, 70, 73, 74, 210, 213, 214, 240, 243, 244, 8090, 8093, 8094, 9090, 9093, 9094	By selecting a motor, the thermal characteristic and motor constant of each motor are set.
80 C101	Motor capacity	9999	0.4 to 55 kW ^①	Set the applied motor capacity.
			0 to 3600 kW ^②	
			9999	V/F control
81 C102	Number of motor poles	9999	2, 4, 6, 8, 10, 12	Set the number of motor poles.
			9999	V/F control
9 C103	Electronic thermal O/L relay	Inverter rated current	0 to 500 A ^①	Set the rated motor current.
			0 to 3600 A ^②	
83 C104	Rated motor voltage	200/ 400 V ^③	0 to 1000 V	Set the rated motor voltage (V).
84 C105	Rated motor frequency	9999	10 to 400 Hz	Set the rated motor frequency (Hz).
			9999	Use the value set in Pr. 3 "Base frequency".
707 C107	Motor inertia (integer)	9999	10 to 999, 9999	Set the motor inertia. 9999: Uses the constant value of Mitsubishi motor (SF-PR, SF-JR, SF-HR, SF-JRCA, SF-HRCA and so on).
724 C108	Motor inertia (exponent)	9999	0 to 7, 9999	
96 C110	Auto tuning setting/status	0	0	No offline auto tuning
			1	Performs offline auto tuning without rotating the motor
			11	Performs offline auto tuning without rotating the motor (V/f control, IPM motor MM-EFS/MM-THE4) (Refer to page 5-316)
			101	Performs offline auto tuning by rotating the motor

Pr.	Name	Initial value	Setting range	Description
90 C120	Motor constant (R1)	9999	0 to 50 Ω, 9999 ^{① ④}	Tuning data (The value measured by offline auto tuning is automatically set.) 9999: Uses the constant value of Mitsubishi motor (SF-PR, SF-JR, SF-HR, SF-JRCA, SF-HRCA and so on).
			0 to 400 mΩ, 9999 ^{② ④}	
91 C121	Motor constant (R2)	9999	0 to 50 Ω, 9999 ^{① ④}	
			0 to 400 mΩ, 9999 ^{② ④}	
92 C122	Motor constant (L1)/ d-axis inductance (Ld)	9999	0 to 6000 mH, 9999 ^{① ④}	
			0 to 400 mH, 9999 ^{② ④}	
93 C123	Motor constant (L2)/ q-axis inductance (Lq)	9999	0 to 6000 mH, 9999 ^{① ④}	
			0 to 400 mH, 9999 ^{② ④}	
94 C124	Motor constant (X)	9999	0 to 100%, 9999 ^④	
82 C125	Motor excitation current	9999	0 to 500 A, 9999 ^{① ④}	
			0 to 3600 A, 9999 ^{② ④}	
859 C126	Torque current/ Rated PM motor current	9999	0 to 500 A, 9999 ^①	
			0 to 3600 A, 9999 ^②	
298 A711	Frequency search gain	9999	0 to 32767	The offline auto tuning automatically sets the gain required for the frequency search.
			9999	Uses the constant value of Mitsubishi motor (SF-PR, SF-JR, SF-HR, SF-JRCA, SF-HRCA and so on).
450 C200	Second applied motor	9999	0, 1, 3 to 6, 13 to 16, 20, 23, 24, 40, 43, 44, 50, 53, 54, 70, 73, 74, 210, 213, 214, 240, 243, 244, 8090, 8093, 8094, 9090, 9093, 9094	Set this parameter when using the second motor. (the same specifications as Pr. 71).
			9999	The function is disabled.
453 C201	Second motor capacity	9999	0.4 to 55 kW ^①	Set the capacity of the second motor.
			0 to 3600 kW ^③	
			9999	V/F control
454 C202	Number of second motor poles	9999	2, 4, 6, 8, 10, 12	Set the number of poles of the second motor.
			9999	V/F control
51 C203	Second electronic thermal O/L relay	9999	0 to 500 A ^①	This function is enabled when the RT signal is ON.
			0 to 3600 A ^③	Set the rated motor current.
			9999	Second electronic thermal O/L relay disabled
456 C204	Rated second motor voltage	200/400 V ^③	0 to 1000 V	Set the rated voltage (V) of the second motor.
457 C205	Rated second motor frequency	9999	10 to 400 Hz	Set the rated frequency (Hz) of the second motor.
			9999	Use the Pr. 84 "Rated motor frequency" setting.
744 C207	Second motor inertia (integer)	9999	10 to 999, 9999	Set the inertia of the second motor. 9999:
745 C208	Second motor inertia (exponent)	9999	10 to 7, 9999	Uses the constant value of Mitsubishi motor (SF-PR, SF-JR, SF-HR, SF-JRCA, SF-HRCA and so on).
463 C210	Second motor auto tuning setting/status	0	0	No auto tuning for the second motor.
			1	Performs offline auto tuning without rotating the second motor
			11	Performs offline auto tuning without rotating the motor (V/f control, IPM motor MM-EFS/MM-THE4) (Refer to page 5-316)
			101	Performs offline auto tuning by rotating the second motor

Pr.	Name	Initial value	Setting range	Description
458 C220	Second motor constant (R1)	9999	0 to 50 Ω, 9999 ① ④	Tuning data of the second motor (The value measured by offline auto tuning is automatically set.) 9999: Uses the constant value of Mitsubishi motor (SF-PR, SF-JR, SF-HR, SF-JRCA, SF-HRCA and so on).
			0 to 400 mΩ, 9999 ② ④	
459 C221	Second motor constant (R2)	9999	0 to 50 Ω, 9999 ① ④	
			0 to 400 mΩ, 9999 ② ④	
460 C222	Second motor constant (L1) / d-axis inductance (Ld)	9999	0 to 6000 mH, 9999 ① ④	
			0 to 400 mH, 9999 ② ④	
461 C223	Second motor constant (L2) / q-axis inductance (Lq)	9999	0 to 6000 mH, 9999 ① ④	
			0 to 400 mH, 9999 ② ④	
462 C224	Second motor constant (X)	9999	0 to 100%, 9999 ④	
455 C225	Second motor excitation current	9999	0 to 500 A, 9999 ① ④	
			0 to 3600 A, 9999 ② ④	
860 C226	Second motor torque current/ Rated PM motor current	9999	0 to 500 A, 9999 ① ④	
			0 to 3600 A, 9999 ② ④	
560 A712	Second frequency search gain	9999	0 to 32767	The offline auto tuning automatically sets the gain required for the frequency search of the second motor.
			9999	Uses the constant value of Mitsubishi motor (SF-PR, SF-JR, SF-HR, SF-JRCA, SF-HRCA and so on).

① For the FR-F820-02330(55K) or lower and FR-F840-01160(55K) or lower.

② For the FR-F820-03160(75K) or higher and FR-F840-01800(75K) or higher.

③ Differs according to the voltage class. (200 V/400 V)

④ The setting range and unit change according to the Pr. 71 (Pr. 450) setting.

NOTES

The function is enabled under Advanced magnetic flux vector control.

Even if a motor other than Mitsubishi standard motors (SF-JR 0.4 kW or higher), high-efficiency motors (SF-HR 0.4 kW or higher), Mitsubishi constant-torque motors (SF-JRCA 4P, SF-HRCA 0.4 kW to 55 kW), or Mitsubishi high-performance energy-serving motor (SF-PR), such as other manufacturers' induction motors, SF-JRC, SF-TH, etc., is used, or when the wiring length is long (approx. 30 m or longer), a motor can run with the optimum operation characteristics by using the offline auto tuning function.

Tuning is enabled even when a load is connected to the motor.

During offline auto tuning, the motor rotation can be locked (Pr. 96 = "1") or unlocked (Pr. 96 = "101"). The tuning is more accurate when the motor can rotate (unlocked).

Reading/writing of the motor constants tuned by offline auto tuning are enabled. The offline auto tuning data (motor constants) can be copied to another inverter with the operation panel.

The offline auto tuning status can be monitored with the operation panel and the parameter unit.

Before performing offline auto tuning

Check the following points before performing offline auto tuning:

- A value other than "9999" is set in Pr. 80 and Pr. 81, and Advanced magnetic flux vector control.
- A motor is connected. (The motor should not be rotated by the force applied from outside during the tuning.)
- For the motor capacity, the rated motor current should be equal to or less than the inverter rated current. (It must be 0.4 kW or higher.) If a motor with substantially low rated current compared with the inverter rated current is used, speed and torque accuracies may deteriorate due to torque ripples, etc. Set the rated motor current to about 40% or higher of the inverter rated current.
- The target motor is other than a high-slip motor, a high-speed motor, or a special motor.
- The highest frequency is 400 Hz.
- The motor may rotate slightly even if the offline auto tuning without motor rotation (Pr. 96 "Auto tuning setting/status" = "1") is selected. (The slight motor rotation does not affect the tuning performance.) Fix the motor securely with a mechanical brake, or before tuning, make sure that it is safe even if the motor rotates. (Caution is required especially in vertical lift applications.)
- Check the following points for the offline auto tuning with motor rotation (Pr. 96 "Auto tuning setting/status" = "101").
Torque is not sufficient during tuning.
The motor can be rotated up to the speed close to the rated speed.
The mechanical brake is released.
- Offline auto tuning is not performed correctly when the surge voltage suppression filter (FR-ASF-H/FR-BMF-H) are inserted between the inverter and motor. Be sure to remove them before performing tuning.

Setting

- To perform tuning, set the following parameters about the motor.

First motor Pr.	Second motor Pr.	Name	Initial value	Description
80	453	Motor capacity	9999 (V/F control)	Set the motor capacity (kW).
81	454	Number of motor poles	9999 (V/F control)	Set the number of motor poles (2 to 12).
9	51	Electronic thermal O/L relay	Inverter rated current	Set the rated motor current (A).
83	456	Rated motor voltage	200 V/400 V ①	Set the rated motor voltage (V) printed on the motor's rating plate.
84	457	Rated motor frequency	9999	Set the rated motor frequency (Hz). When the setting is "9999", the Pr. 3 "Base frequency" setting is used.
71	450	Applied motor	0 (standard motor)	Set this parameter according to the motor. ② Three types of motor constant setting ranges, units and tuning data can be stored according to settings.
96	463	Auto tuning setting/status	0	Set "1" or "101". 1: Performs tuning without rotating the motor. (Excitation noise occurs at this point.) 101: Performs tuning by rotating the motor. The motor can rotate up to the speed near the rated motor frequency.

Tab. 5-133: Set the parameters before performing tuning

- ① Differs according to the voltage class. (200 V/400 V)
- ② According to the Pr. 71 setting, the range of the motor constant parameter setting values and units can be changed. Set the Pr. 71 "Applied motor setting" according to the motor to be used and the motor constant setting range. (For other setting values of Pr. 71, refer to page 5-297.)

Motor		Pr. 71 setting		
		Motor constant parameter mH, % and A unit setting	Motor constant parameter Internal data setting	Motor constant parameter Ω , m Ω and A unit setting
Mitsubishi standard motor Mitsubishi high-efficiency motor	SF-JR and SF-TH	0 (initial value)	3 (4)	—
	SF-JR 4P 1.5 kW or lower	20	23 (24)	—
	SF-HR	40	43 (44)	—
	Others	0 (initial value)	3 (4)	—
Mitsubishi constant-torque motor	SF-JRCA 4P and SF-TH (constant-torque)	1	13 (14)	—
	SF-HRCA	50	53 (54)	—
	Other (SF-JRC, etc.)	1	13 (14)	—
Mitsubishi high-performance energy-saving motor	SF-PR	70	73(74)	—
Other manufacturer's standard motor	—	0 (initial value)	3 (4)	5 (star connection motor) 6 (delta connection motor)
Other manufacturer's constant-torque motor	—	1	13 (14)	15 (star connection motor) 16 (delta connection motor)

Tab. 5-134: Motor selection

NOTES

If Pr. 11 "DC injection brake operation time" = "0" or Pr. 12 "DC injection brake operation voltage" = "0", offline auto tuning is performed considering Pr. 11 or Pr. 12 is set to the initial value.

If "star connection" or "delta connection" is incorrectly selected in Pr. 71, Advanced magnetic flux vector control is not performed normally.

- For tuning accuracy improvement, set the following parameters when the motor constants are known in advance.

First motor Pr.	Second motor Pr.	Name	Mitsubishi motor (SF-JR, SF-HR, SF-JRCA, SF-HRCA)	Other motors
707	744	Motor inertia (integer)	9999 (initial value)	Motor inertia ^① $J_m = \text{Pr. 707} \times 10^{(-\text{Pr. 724})} [\text{kg/m}^2]$
724	745	Motor inertia (exponent)		

Tab. 5-135: Parameter settings to improve the tuning accuracy

- ^① The setting is valid only when a value other than "9999" is set in both Pr. 707 (Pr. 744) and Pr. 724 (Pr. 745).

Performing tuning

NOTE

Before performing tuning, check the monitor display of the operation panel or the parameter unit if the inverter is in the state ready for tuning. (Refer to (2) below.) Turning ON the start command while tuning is unavailable starts the motor.

- In the PU operation mode, press FWD/REV key on the operation panel.
For External operation, turn ON the start command (STF signal or STR signal). Tuning will start.

NOTES

Satisfy the required inverter start conditions to start offline auto tuning. For example, stop the input of MRS signal.

To force tuning to end, use the MRS or RES signal or press STOP/RESET key on the operation panel. (Turning the start signal (STF signal or STR signal) OFF also ends tuning.)

During offline auto tuning, only the following I/O signals are valid (initial value):

- Input terminals <effective signals>: STP (STOP), OH, MRS, RT, RES, STF, STR, S1 and S2
- Output terminals: RUN, OL, IPF, FM/CA, AM, A1B1C1 and SO

When the rotation speed and the output frequency are selected for terminals FM/CA and AM, the progress status of offline auto tuning is output in fifteen steps from FM/CA and AM.

Do not perform ON/OFF switching of the Second function selection (RT) signal during offline auto tuning. Auto tuning will not be performed properly.

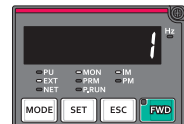
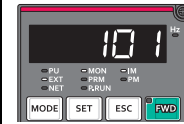
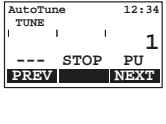
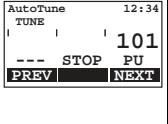
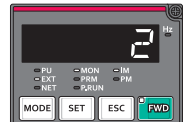
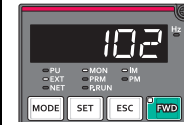
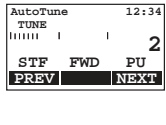
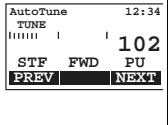
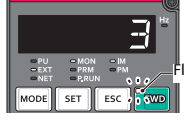
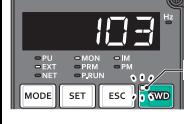
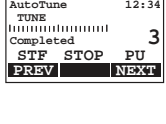
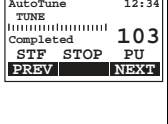
When the offline auto tuning is selected (Pr. 96 "Auto tuning setting/status" = "101"), the motor rotates. Take caution and ensure the safety.

Since the Inverter running (RUN) signal turns ON when tuning is started, pay close attention especially when a sequence which releases a mechanical brake by the RUN signal has been designed.

When executing offline auto tuning, input the run command after switching ON the main circuit power (R/L1, S/L2, T/L3) of the inverter.

While Pr. 79 "Operation mode selection" = "7", turn the PU operation external interlock (X12) signal ON to tune in the PU operation mode.

- Monitor is displayed on the operation panel during tuning as below.

Pr. 96 setting value	1	101	1	101
	Operation panel (FR-DU08) display		LCD operation panel (FR-LU08) display	
(1) Setting				
(2) During tuning				
(3) Normal completion				

Tab. 5-136: Display during tuning (monitor display)

- Note: Offline auto tuning time (with the initial setting)

Offline auto tuning setting	Time
No motor rotation (Pr. 96 = "1")	Approx. 25 to 120 s (The time depends on the inverter capacity and motor type.)
With motor rotation (Pr. 96 = "101")	Approx. 40 s (The following offline auto tuning time is set according to the acceleration/ deceleration time setting. Offline auto tuning time = acceleration time + deceleration time + approx. 30 s)

Tab. 5-137: Offline auto tuning time (when the initial value is set)

- When offline auto tuning ends, press STOP/RESET key on the operation panel during PU operation. For External operation, turn OFF the start signal (STF signal or STR signal). This operation resets the offline auto tuning, and the PU's monitor display returns to the normal indication. (Without this operation, next operation cannot be started.)

NOTES

The motor constants measured once in the offline auto tuning are stored as parameters and their data are held until the offline auto tuning is performed again. However, the tuning data is cleared by performing all parameter clear.

Changing Pr. 71 (Pr. 450) after tuning completion will change the motor constant. For example, if Pr. 71 = "3" is set after tuning is performed with Pr. 71 = "0", the tuning data becomes invalid. Set Pr. 71 = "0" again for using the tuning data.

- If offline auto tuning has ended in error (see the table below), motor constants are not set. Perform an inverter reset and restart tuning.

Error display	Error cause	Countermeasures
8	Forced end	Set Pr. 96 = "1" or "101" and try again.
9	Inverter protective function operation	Make the setting again.
91	The current limit (stall prevention) function is activated.	Set the acceleration/deceleration time longer. Set Pr. 156 = "1".
92	The converter output voltage has dropped to 75% of the rated voltage.	Check for the power supply voltage fluctuation. Check the Pr. 84 "Rated motor frequency" setting.
93	Calculation error The motor is not connected.	Check the Pr. 83 and Pr. 84 settings. Check the motor wiring and make the setting again.
94	Rotation tuning frequency setting error (The frequency command for the tuning was given to exceed the maximum frequency setting, or to be in the frequency jump range.)	Check the Pr. 1 "Maximum frequency" and Pr. 31 to Pr. 36 Frequency jump settings.

Tab. 5-138: Error display of offline auto tuning

- When tuning is ended forcibly by pressing STOP/RESET key or turning OFF the start signal (STF or STR) during tuning, offline auto tuning does not end properly. (The motor constants have not been set.)
Perform an inverter reset and restart tuning.
- If using a motor falling under the following conditions, set the value of Pr. 9 "Electronic thermal O/L relay" as shown below after tuning is complete.
 - If the rated power supply of the motor is 200/220 V(400/440 V) 60 Hz, set the rated motor current multiplied by 1.1 in Pr. 9.
 - If using a motor with a temperature detector such as PTC thermistor and Klixon and performs motor overheat protection, set Pr. 9 = "0" (disables the motor overheat protection feature of the inverter).

NOTES

An instantaneous power failure occurring during tuning will result in a tuning error. After power is restored, the inverter starts normal operation. Therefore, when STF (STR) signal is ON, the motor runs in the forward (reverse) rotation.

Any alarm occurring during tuning is handled as in the normal operation. Note that even if a retry operation has been set, retry is not performed.

The set frequency monitor displayed during the offline auto tuning is 0 Hz



CAUTION:

- **Note that the motor may start running suddenly.**
- **For the offline auto tuning in vertical lift applications, etc., caution is required to avoid falling due to insufficient torque.**

Changing the motor constant

- If the motor constant is known, the motor constant can be set directly or set using data measured through offline auto tuning.
- According to the Pr. 71 (Pr. 450) setting, the range of the motor constant parameter setting values and units can be changed. The setting values are stored in the EEPROM as motor constant parameters, and three types of motor constants can be stored.

Changing the motor constant (if setting the Pr. 92 and Pr. 93 motor constants in units of mH)

- Set Pr. 71 as shown below.

Motor		Pr. 71 setting
Mitsubishi standard motor Mitsubishi high-efficiency motor	SF-JR	0 (initial value)
	SF-JR 4P 1.5 kW or lower	20
	SF-HR	40
Mitsubishi constant-torque motor	SF-JRCA 4P	1
	SF-HRCA	50
Mitsubishi high-performance energy-saving motor	SF-PR	70

Tab. 5-139: Motor selection

- Use the following formula to find the Pr. 94 setting value and set a given value as the motor constant parameter.

$$\text{The setting value of Pr. 94} = \left(1 - \frac{M^2}{L1 \times L2}\right) \times 100(\%)$$

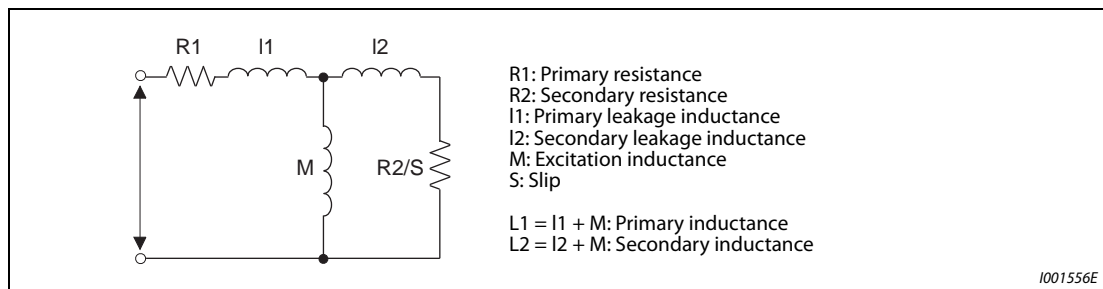


Fig. 5-142: Equivalent circuit diagram of the motor

First motor Pr.	Second motor Pr.	Name	Setting range	Setting increments	Initial value
82	455	Motor excitation current (No-load current)	0 to 500 A, 9999 ^①	0.01 A ^①	9999
			0 to 3600 A, 9999 ^②	0.1 A ^②	
90	458	Motor constant (R1)	0 to 50 Ω, 9999 ^①	0.001 Ω ^①	
			0 to 400 mΩ, 9999 ^②	0.01 mΩ ^②	
91	459	Motor constant (R2)	0 to 50 Ω, 9999 ^①	0.001 Ω ^①	
			0 to 400 mΩ, 9999 ^②	0.01 mΩ ^②	
92	460	Motor constant (L1)/d-axis inductance (Ld)	0 to 6000 mH, 9999 ^①	0.1 mH ^①	
			0 to 400 mH, 9999 ^②	0.01 mH ^②	
93	461	Motor constant (L2)/q-axis inductance (Lq)	0 to 6000 mH, 9999 ^①	0.1 mH ^①	
			0 to 400 mH, 9999 ^②	0.01 mH ^②	
94	462	Motor constant (X)	0 to 100%, 9999	0.1% ^①	
				0.01% ^②	
859	860	Torque current/Rated PM motor current	0 to 500 A, 9999 ^①	0.01A ^①	
			0 to 3600 A, 9999 ^②	0.1 A ^②	
298	560	Frequency search gain	0 to 32767, 9999	1	

Tab. 5-140: Parameter setting ranges

① For the FR-F820-02330(55K) or lower and FR-F840-01160(55K) or lower.

② For the FR-F820-03160(75K) or higher and FR-F840-01800(75K) or higher.

NOTE

If "9999" is set, tuning data will be invalid and the constant values for Mitsubishi motors (SF-PR, SF-JR, SF-HR, SF-JRCA, SF-HRCA and so on) are used.

Changing the motor constant (if setting motor constants in the internal data of the inverter)

- Set Pr. 71 as follows.

Motor	Pr. 71 setting	
Mitsubishi standard motor Mitsubishi high-efficiency motor	SF-JR and SF-TH	3 (4)
	SF-JR 4P 1.5 kW or lower	23 (24)
	SF-HR	43 (44)
	Others	3 (4)
Mitsubishi constant-torque motor	SF-JRCA 4P SF-TH (constant-torque)	13 (14)
	SF-HRCA	53 (54)
	Other (SF-JRC, etc.)	13 (14)
Mitsubishi high-performance energy-saving motor	SF-PR	73 (74)
Other manufacturer's standard motor	—	3 (4)
Other manufacturer's constant-torque motor	—	13 (14)

Tab. 5-141: Motor selection

- Set a given value as the motor constant parameter. The displayed increments of the read motor constants can be changed with Pr. 684 "Tuning data unit switchover".

First motor Pr.	Second motor Pr.	Name	Pr. 684 = 0 (initial value)		Pr. 684 = 1		Initial value
			Setting range	Setting increments	Range indication	Unit indication	
82	455	Motor excitation current	0 to ***, 9999	1	0 to 500 A, 9999 ^①	0.01 A ^①	9999
					0 to 3600 A, 9999 ^②	0.1 A ^②	
90	458	Motor constant (R1)			0 to 50 Ω, 9999 ^①	0.001 Ω ^①	
					0 to 400 mΩ, 9999 ^②	0.01 mΩ ^②	
91	459	Motor constant (R2)			0 to 50 Ω, 9999 ^①	0.001 Ω ^①	
					0 to 400 mΩ, 9999 ^②	0.01 mΩ ^②	
92	460	Motor constant (L1)/ d-axis inductance (Ld)			0 to 6000 mH, 9999 ^①	0.1 mH ^①	
					0 to 400 mH, 9999 ^②	0.01 mH ^②	
93	461	Motor constant (L2)/ q-axis inductance (Lq)			0 to 6000 mH, 9999 ^①	0.1 mH ^①	
					0 to 400 mH, 9999 ^②	0.01 mH ^②	
94	462	Motor constant (X)	0 to 100%, 9999	0.1% ^①			
				0.01% ^②			
859	860	Torque current/ Rated PM motor current	0 to 500 A, 9999 ^①	0.01 A ^①			
			0 to 3600 A, 9999 ^②	0.1 A ^②			
298	560	Frequency search gain	0 to 32767, 9999	1	0 to 32767, 9999	1	

Tab. 5-142: Parameter setting ranges

① For the FR-F820-02330(55K) or lower and FR-F840-01160(55K) or lower.

② For the FR-F820-03160(75K) or higher and FR-F840-01800(75K) or higher.

NOTES

As the motor constants measured in the offline auto tuning have been converted into internal data (***), refer to the following setting example when making setting:

Setting example:

To slightly increase the Pr. 90 value (5%)

If Pr. 90 = "2516" is displayed, the value is calculated with $2516 \times 1.05 = 2641.8$.

Therefore set Pr. 90 = "2642".

(The value displayed has been converted into a value for internal use. Hence, simple addition of a given value to the displayed value has no significance.)

If "9999" is set, tuning data will be invalid and the constant values for Mitsubishi motors (SF-PR, SF-JR, SF-HR, SF-JRCA, SF-HRCA and so on) are used.

Changing the motor constant (if setting the Pr. 92 and Pr. 93 motor constants in units of [Ω])

- Set Pr. 71 as shown below.

Applicable motor	Pr. 71 setting	
	Star connection motor	Delta connection motor
Standard motor	5	6
Constant-torque motor	15	16

- Set a given value as the motor constant parameter.

$$I_q = \sqrt{I_{100}^2 - I_0^2}$$

I_q = torque current, I_{100} = rated current, I_0 = no load current

First motor Pr.	Second motor Pr.	Name	Setting range	Setting increments	Initial value
82	455	Motor excitation current (No-load current)	0 to 500 A, 9999 ^①	0.01 A ^①	9999
			0 to 3600 A, 9999 ^②	0.1 A ^②	
90	458	Motor constant (r1)	0 to 50 Ω, 9999 ^①	0.001 Ω ^①	
			0 to 400 mΩ, 9999 ^②	0.01 mΩ ^②	
91	459	Motor constant (r2)	0 to 50 Ω, 9999 ^①	0.001 Ω ^①	
			0 to 400 mΩ, 9999 ^②	0.01 mΩ ^②	
92	460	Motor constant (x1)	0 to 50 Ω, 9999 ^①	0.001 Ω ^①	
			0 to 3600 mΩ, 9999 ^②	0.01 mΩ ^②	
93	461	Motor constant (x2)	0 to 50 Ω, 9999 ^①	0.001 Ω ^①	
			0 to 3600 mΩ, 9999 ^②	0.01 mΩ ^②	
94	462	Motor constant (xm)	0 to 500 Ω, 9999 ^①	0.01 Ω	
			0 to 100 Ω, 9999 ^②		
859	860	Torque current/Rated PM motor current	0 to 500 A, 9999 ^①	0.01 A ^①	
			0 to 3600 A, 9999 ^②	0.1 A ^②	
298	560	Frequency search gain	0 to 32767, 9999	1	

Tab. 5-143: Parameter setting ranges

① For the FR-F820-02330(55K) or lower and FR-F840-01160(55K) or lower.

② For the FR-F820-03160(75K) or higher and FR-F840-01800(75K) or higher.

NOTES

If "star connection" or "delta connection" is incorrectly selected in Pr. 71, Advanced magnetic flux vector control is not performed normally.

If "9999" is set, tuning data will be invalid and the constant values for Mitsubishi motors (SF-PR, SF-JR, SF-HR, SF-JRCA, SF-HRCA and so on) are used.

Tuning the second applied motor

- When one inverter switches the operation between two different motors, set the second motor in Pr. 450 "Second applied motor". (Refer to page 5-297.) In the initial setting, no second motor is applied.
- Turning ON the RT signal will enable the parameter settings for the second motor as shown below.

Function	RT signal ON (second motor)	RT signal OFF (first motor)
Motor capacity	Pr. 453	Pr. 80
Number of motor poles	Pr. 454	Pr. 81
Motor excitation current	Pr. 455	Pr. 82
Rated motor voltage	Pr. 456	Pr. 83
Rated motor frequency	Pr. 457	Pr. 84
Motor constant (R1)	Pr. 458	Pr. 90
Motor constant (R2)	Pr. 459	Pr. 91
Motor constant (L1)/d-axis inductance (Ld)	Pr. 460	Pr. 92
Motor constant (L2)/q-axis inductance (Lq)	Pr. 461	Pr. 93
Motor constant (X)	Pr. 462	Pr. 94
Auto tuning setting/status	Pr. 463	Pr. 96
Frequency search gain	Pr. 560	Pr. 298

Tab. 5-144: Validation of parameters by the RT signal

NOTES

The RT signal is assigned to the terminal RT in the initial status. Set "3" in any of Pr. 178 to Pr. 189 (input terminal function selection) to assign the RT signal to another terminal.

Changing the terminal assignment using Pr. 178 to Pr. 189 (input terminal function selection) may affect the other functions. Set parameters after confirming the function of each terminal.

Parameters referred to			
Pr. 1	Maximum frequency	=>	page 5-176
Pr. 9	Electronic thermal O/L relay	=>	page 5-150
Pr. 31 to Pr. 36	Frequency jump	=>	page 5-178
Pr. 71	Applied motor	=>	page 5-297
Pr. 156	Stall prevention operation selection	=>	page 5-180
Pr. 178 to Pr. 189	(input terminal function selection)	=>	page 5-285
Pr. 190 to Pr. 196	(output terminal function selection)	=>	page 5-231

5.10.3 Offline auto tuning for a PM motor (motor constants tuning)

The offline auto tuning for a PM motor enables the optimal operation of a PM motor.

What is offline auto tuning?

Under PM motor control, setting motor constants automatically (offline auto tuning) enables optimal operation of motors even when motor constants vary or when the wiring distance is long. IPM and SPM motors other than IPM motor MM-EFS/MM-THE4 can also be used.

For the offline auto tuning under Advanced magnetic flux vector control, refer to page 5-45.

Pr.	Name	Initial value	Setting range	Description
684 C000	Tuning data unit switchover	0	0	Internal data converted value
			1	The value is indicated with "A, Ω, mH or mV".
1002 C150	Lq tuning target current adjustment coefficient	9999	50 to 150%	Perform adjustment if the overcurrent protective function is activated during tuning.
			9999	No adjustment
71 C100	Applied motor	0	0 to 6, 13 to 16, 20, 23, 24, 40, 43, 44, 50, 53, 54, 70, 73, 74, 210, 213, 214, 240, 243, 244, 8090, 8093, 8094, 9090, 9093, 9094	By selecting a motor, the thermal characteristic and motor constant of each motor are set.
80 C101	Motor capacity	9999	0.4 to 55 kW ^①	Applied motor capacity setting.
			0 to 3600 kW ^②	
			9999	V/F control
81 C102	Number of motor poles	9999	2, 4, 6, 8, 10, 12	Set the number of motor poles.
			9999	V/F control
9 C103	Electronic thermal O/L relay	Inverter rated current	0 to 500 A ^①	Set the rated motor current.
			0 to 3600 A ^②	
83 C104	Rated motor voltage	200/ 400 V ^③	0 to 1000 V	Set the rated motor voltage (V).
84 C105	Rated motor frequency	9999	10 to 400 Hz	Set the rated motor frequency (Hz).
			9999	The MM-EFS/MM-THE4 constant is used when the IPM motor MM-EFS/MM-THE4 is selected, and the inverter internal data is used when a PM motor other than MM-EFS/MM-THE4 is selected. Use the correct setting according to the motor specification.
702 C106	Maximum motor frequency	9999	0 to 400 Hz	Set the maximum frequency of the motor.
			9999	The MM-EFS/MM-THE4 motor maximum frequency is used when the IPM motor MM-EFS/MM-THE4 is selected, and Pr. 84 setting is used when a PM motor other than MM-EFS/MM-THE4 is selected.
707 C107	Motor inertia (integer)	9999	10 to 999, 9999	Set the motor inertia.
724 C108	Motor inertia (exponent)	9999	0 to 7, 9999	9999: Uses MM-EFS/MM-THE4 inertia for IPM motor MM-EFS/MM-THE4
96 C110	Auto tuning setting/status	0	0, 101	No offline auto tuning.
			1	Performs offline auto tuning without rotating the motor (motor other than IPM motor MM-EFS/MM-THE4).
			11	Performs offline auto tuning without rotating the motor (V/F control, IPM motor MM-EFS/MM-THE4).

Pr.	Name	Initial value	Setting range	Description
90 C120	Motor constant (R1)	9999	0 to 50 Ω , 9999 ① ④	Tuning data (The value measured by offline auto tuning is automatically set.) 9999: Uses the MM-EFS/MM-THE4 constant for the IPM motor MM-EFS/MM-THE4, and the inverter internal data for a PM motor other than MM-EFS/MM-THE4.
			0 to 400 m Ω , 9999 ② ④	
92 C122	Motor constant (L1)/ d-axis inductance (Ld)	9999	0 to 500 mH, 9999 ① ④	
			0 to 50 mH, 9999 ② ④	
93 C123	Motor constant (L2)/ q-axis inductance (Lq)	9999	0 to 500 mH, 9999 ① ④	
			0 to 50 mH, 9999 ② ④	
859 C126	Torque current/ Rated PM motor current	9999	0 to 500 A, 9999 ① ④	
			0 to 3600 A, 9999 ② ④	
706 C130	Induced voltage constant (phi f)	9999	0 to 5000 mV/(rad/s) ④	Set this parameter according to the PM motor specifications.
			9999	The value calculated by the motor constant parameter setting is used.
711 C131	Motor Ld decay ratio	9999	0 to 100%, 9999	Tuning data (The value measured by offline auto tuning is automatically set.) 9999: Uses the MM-EFS/MM-THE4 constant for the IPM motor MM-EFS/MM-THE4, and the inverter internal data for a PM motor other than MM-EFS/MM-THE4.
712 C132	Motor Lq decay ratio	9999	0 to 100%, 9999	
717 C182	Starting resistance tuning compensation	9999	0 to 200%, 9999	
721 C185	Starting magnetic pole position detection pulse width	9999	0 to 6000 μ s, 10000 to 16000 μ s, 9999	
725 C133	Motor protection current level	9999	100 to 500%	Set the maximum current (OCT) level of the motor.
			9999	Uses the MM-EFS/MM-THE4 constant for the IPM motor MM-EFS/MM-THE4, and 200% for a PM motor other than MM-EFS/MM-THE4.
450 C200	Second applied motor	9999	0, 1, 3 to 6, 13 to 16, 20, 23, 24, 40, 43, 44, 50, 53, 54, 70, 73, 74, 210, 213, 214, 240, 243, 244, 8090, 8093, 8094, 9090, 9093, 9094	Set this parameter when using the second motor. (the same specifications as Pr. 71).
			9999	The function is disabled.
453 C201	Second motor capacity	9999	0.4 to 55 kW ①	Set the capacity of the second motor.
			0 to 3600 kW ②	
			9999	V/F control
454 C202	Number of second motor poles	9999	2, 4, 6, 8, 10, 12	Set the number of poles of the second motor.
			9999	V/F control
51 C203	Second electronic thermal O/L relay	9999	0 to 500 A ①	Set the rated current of the second motor.
			0 to 3600 A ②	
			9999	Second electronic thermal O/L relay disabled.
456 C204	Rated second motor voltage	200/400 V ③	0 to 1000 V	Set the rated voltage (V) of the second motor.
457 C205	Rated second motor frequency	9999	10 to 400 Hz	Set the rated frequency (Hz) of the second motor.
			9999	The MM-EFS/MM-THE4 constant is used when the IPM motor MM-EFS/MM-THE4 is selected for the second motor, and the inverter internal data is used when a PM motor other than MM-EFS/MM-THE4 is selected. Use the correct setting according to the motor specification.

Pr.	Name	Initial value	Setting range	Description
743 C206	Second motor maximum frequency	9999	0 to 400 Hz	Set the maximum frequency of the second motor.
			9999	The maximum frequency of an MM-EFS/MM-THE4 motor when MM-EFS/MM-THE4 is selected. The setting value of Pr. 457 is used for non-MM-EFS/MM-THE4 motors.
744 C207	Second motor inertia (integer)	9999	10 to 999, 9999	Set the inertia of the second motor. 9999: Uses MM-EFS/MM-THE4 inertia for IPM motor MM-EFS/MM-THE4, and MM-EFS inertia for non-MM-EFS/MM-THE4 motors.
745 C208	Second motor inertia (exponent)	9999	0 to 7, 9999	
463 C210	Second motor auto tuning setting/status	0	0, 101	No auto tuning for the second motor.
			1	Performs offline auto tuning without rotating the second motor (motor other than the IPM motor MM-EFS/MM-THE4).
			11	Performs offline auto tuning without rotating the motor (for IPM motor MM-EFS/MM-THE4).
458 C220	Second motor constant (R1)	9999	0 to 50 Ω, 9999 ^{①④}	Tuning data of the second motor (The value measured by offline auto tuning is automatically set.) 9999: Uses the MM-EFS/MM-THE4 constant for the IPM motor MM-EFS/MM-THE4, and the inverter internal data for a PM motor other than MM-EFS/MM-THE4.
			0 to 400 mΩ, 9999 ^{②④}	
460 C222	Second motor constant (L1) / d-axis inductance (Ld)	9999	0 to 500 mH, 9999 ^{①④}	
			0 to 50 mH, 9999 ^{②④}	
461 C223	Second motor constant (L2) / q-axis inductance (Lq)	9999	0 to 500 mH, 9999 ^{①④}	
			0 to 50 mH, 9999 ^{②④}	
860 C226	Second motor torque current/ Rated PM motor current	9999	0 to 500 A, 9999 ^{①④}	
			0 to 3600 A, 9999 ^{②④}	
738 C230	Second motor induced voltage constant (phi f)	9999	0 to 5000 mV/(rad/s) ^④	Set this parameter according to the PM motor specifications.
			9999	Value calculated based on the tuning data.
739 C231	Second motor Ld decay ratio	9999	0 to 100%, 9999	Tuning data of the second motor. (The value measured by offline auto is automatically set.) 9999: Uses the MM-EFS/MM-THE4 constant for the IPM motor MM-EFS/MM-THE4, and the inverter internal data for a PM motor other than MM-EFS/MM-THE4.
740 C232	Second motor Lq decay ratio	9999	0 to 100%, 9999	
741 C282	Second starting resistance tuning compensation	9999	0 to 200%, 9999	
742 C285	Second motor magnetic pole detection pulse width	9999	0 to 6000 μs, 10000 to 16000 μs, 9999	
746 C233	Second motor protection current level	9999	100 to 500%	Set the maximum current (OCT) level of the second motor.
			9999	Uses the MM-EFS/MM-THE4 constant for the IPM motor MM-EFS/MM-THE4, and 200% for a PM motor other than MM-EFS/MM-THE4.

① For the FR-F820-02330(55K) or lower and FR-F840-01160(55K) or lower.

② For the FR-F820-03160(75K) or higher and FR-F840-01800(75K) or higher.

③ Differs according to the voltage class. (200 V/400 V)

④ The setting range and unit change according to the Pr. 71 (Pr. 450) setting.

NOTES

The settings are valid under the PM motor control.

The offline auto tuning enables the operation with SPM motors and IPM motors other than MM-EFS/MM-THE4. (When a PM motor other than the IPM motor MM-EFS/MM-THE4 is used, always perform the offline auto tuning.)

Tuning is enabled even when a load is connected to the motor.

Reading/writing of the motor constants tuned by offline auto tuning are enabled. The offline auto tuning data (motor constants) can be copied to another inverter with the operation panel.

The offline auto tuning status can be monitored with the operation panel and the parameter unit.

Before performing offline auto tuning

Check the following points before performing offline auto tuning.

- The PM motor control is selected.
- A motor is connected. Note that the motor should be at a stop at a tuning start. (The motor should not be rotated by the force applied from outside during the tuning.)
- For the motor capacity, the rated motor current should be equal to or less than the inverter rated current. (It must be 0.4 kW or higher.) If a motor with substantially low rated current compared with the inverter rated current is used, speed and torque accuracies may deteriorate due to torque ripples, etc. Set the rated motor current to about 40% or higher of the inverter rated current.
- The maximum frequency under PM motor control is 400 Hz.
- The motor may rotate slightly even if the offline auto tuning without motor rotation (Pr. 96 "Auto tuning setting/status" = "1 or 11") is selected. (It does not affect the tuning performance.) Fix the motor securely with a mechanical brake, or before tuning, make sure that it is safe even if the motor rotates. (Caution is required especially in vertical lift applications.)

Setting

- To perform tuning, set the following parameters about the motor.

First motor Pr.	Second motor Pr.	Name	Setting for a PM motor other than MM-EFS/MM-THE4	Setting for MM-EFS/MM-THE4
80	453	Motor capacity	Motor capacity (kW)	Set by the IPM parameter initialization (Refer to page 5-49.)
81	454	Number of motor poles	The number of motor poles (2 to 12)	
9	51	Electronic thermal O/L relay	Rated motor current (A)	
84	457	Rated motor frequency	Rated motor frequency (Hz)	
83	456	Rated motor voltage	Rated motor voltage (V)	Rated motor voltage (V) written on the motor's rated plate
71	450	Applied motor	8090, 8093 (IPM motor) 9090, 9093 (SPM motor) ①	210, 213 ①② 240, 243 ①③
96	463	Auto tuning setting/status	1	11

Tab. 5-145: Set the parameters before performing tuning

- ① Set Pr. 71 "Applied motor" according to the motor to be used. According to the Pr. 71 setting, the range of the motor constant parameter setting values and units can be changed. (For other setting values of Pr. 71, refer to page 5-297.)
- ② Setting value for the MM-EFS (1500 r/min specification) or the MM-THE4.
- ③ Setting value for the MM-EFS (3000 r/min specification).

Motor		Pr. 71 setting	
		Motor constant parameter Ω , mH and A unit setting	Motor constant parameter Internal data setting
IPM motor	MM-EFS (1500 r/min specification)/ MM-THE4	210	213 (214)
	MM-EFS (3000 r/min specification)	240	243 (244)
	Other than MM-EFS/MM-THE4	8090	8093 (8094)
SPM motor		9090	9093 (9094)

Tab. 5-146: Motor selection

NOTES

If PM motor control is performed, tuning cannot be performed even when Pr. 96 = "101" is set. If MM-EFS/MM-THE4 is set to the applied motor, tuning cannot be performed even when Pr. 96 = "1, 101" is set.

- For the tuning accuracy improvement, set the following parameter when the motor constant is known in advance.

First motor Pr.	Second motor Pr.	Name	Setting for a PM motor other than MM-EFS/MM-THE4	Setting for MM-EFS/MM-THE4
702	743	Maximum motor frequency	The maximum motor frequency [Hz]	9999 (initial value)
707	744	Motor inertia (integer)	Motor inertia ①	9999 (initial value)
724	745	Motor inertia (exponent)	$J_m = \text{Pr. 707} \times 10^{(-\text{Pr. 724})}$ [kg/m ²]	
725	746	Motor protection current level	Maximum current level of the motor [%]	9999 (initial value)

Tab. 5-147: Parameter settings to improve the tuning accuracy

- ① The setting is valid only when both of the Pr. 707 (Pr. 744) and Pr. 724 (Pr. 745) settings are other than "9999".

Performing tuning

NOTE

Before performing tuning, check the monitor display of the operation panel or the parameter unit if the inverter is in the state ready for tuning. Turning ON the start command while tuning is unavailable starts the motor.

- In the PU operation mode, press FWD/REV key on the operation panel.
For External operation, turn ON the start command (STF signal or STR signal). Tuning will start.

NOTES

Satisfy the required inverter start conditions to start offline auto tuning. For example, stop the input of MRS signal.

To force tuning to end, use the MRS or RES signal or press STOP/RESET key on the operation panel. (Turning the start signal (STF signal or STR signal) OFF also ends tuning.)

During offline auto tuning, only the following I/O signals are valid (initial value):

- Input terminals <effective signals>: STP (STOP), OH, MRS, RT, RES, STF, STR, S1 and S2
- Output terminals: RUN, OL, IPF, FM/CA, AM, A1B1C1 and SO

When the rotation speed and the output frequency are selected for terminals FM/CA and AM, the progress status of offline auto tuning is output in fifteen steps from FM/CA and AM.

Do not perform ON/OFF switching of the Second function selection (RT) signal during offline auto tuning. Auto tuning will not be performed properly.

A motor with 14 or more poles cannot be tuned.

Since the Inverter running (RUN) signal turns ON when tuning is started, pay close attention especially when a sequence which releases a mechanical brake by the RUN signal has been designed.

When executing offline auto tuning, input the run command after switching ON the main circuit power (R/L1, S/L2, T/L3) of the inverter.

While Pr. 79 "Operation mode selection" = "7", turn the PU operation external interlock (X12) signal ON to tune in the PU operation mode.

- Monitor is displayed on the operation panel during tuning as below.

Pr. 96 (Pr. 463) Setting	1	11	1	11
	Operation panel (FR-DU08) display		LCD operation panel (FR-LU08) display	
(1) Setting				
(2) During tuning				
(3) Normal completion				

Tab. 5-148: Display during tuning (monitor display)

- When offline auto tuning ends, press STOP/RESET key on the operation panel during PU operation. For External operation, turn OFF the start signal (STF signal or STR signal).

This operation resets the offline auto tuning, and the PU's monitor display returns to the normal indication.

(Without this operation, next operation cannot be started.)

NOTES

The motor constants measured once in the offline auto tuning are stored as parameters and their data are held until the offline auto tuning is performed again. However, the tuning data is cleared by performing all parameter clear.

Changing Pr. 71 after tuning completion will change the motor constant. For example, if Pr. 71 = "8093" is set after tuning is performed with Pr. 71 = "8090", the tuning data becomes invalid. Set Pr. 71 = "8090" again for using the tuning data.

- If offline auto tuning has ended in error (see the table below), motor constants are not set. Perform an inverter reset and restart tuning.

Error display	Error cause	Countermeasures
8	Forced end	Set Pr. 96 (Pr. 463) = "1" or "11" and try again.
9	Inverter protective function operation	Make the setting again.
92	The converter output voltage has dropped to 75% of the rated voltage.	Check for the power supply voltage fluctuation. Check the Pr. 84 "Rated motor frequency" setting.
93	Calculation error. The motor is not connected.	Check the motor wiring and make the setting again.
94	Rotation tuning frequency setting error (The frequency command for the tuning was given to exceed the maximum frequency setting, or to be in the frequency jump range.)	Check the Pr. 1 "Maximum frequency" and Pr. 31 to Pr. 36 Frequency jump settings.

Tab. 5-149: Settings for Pr. 96 (Pr. 463)

- When tuning is ended forcibly by pressing STOP/RESET key or turning OFF the start signal (STF or STR) during tuning, offline auto tuning does not end properly. (The motor constants have not been set.)
Perform an inverter reset and restart tuning.

NOTES

An instantaneous power failure occurring during tuning will result in a tuning error. After power is restored, the inverter starts normal operation. Therefore, when STF (STR) signal is ON, the motor runs in the forward (reverse) rotation.

Any alarm occurring during tuning is handled as in the normal operation. However, if the retry function is set, no retry is performed even when a protective function that performs a retry is activated.

The set frequency monitor displayed during the offline auto tuning is 0 Hz.



CAUTION:

Note that the motor may start running suddenly.

Parameters in which tuning results are set after tuning

First motor Pr.	Second motor Pr.	Name	Other than MM-EFS/MM-THE4 Pr. 96 (Pr.4 63) = 1	V/F control or MM-EFS/MM-THE4 Pr. 96 (Pr. 463) = 11	Description
90	458	Motor constant (R1)	○	○	Resistance per phase
92	460	Motor constant (L1)/ d-axis inductance (Ld)	○	—	d-axis inductance
93	461	Motor constant (L2)/ q-axis inductance (Lq)	○	—	q-axis inductance
711	739	Motor Ld decay ratio	○	—	d-axis inductance decay ratio
712	740	Motor Lq decay ratio	○	—	q-axis inductance decay ratio
717	741	Starting resistance tuning compensation	○	○	
721	742	Starting magnetic pole position detection pulse width	○	—	When the setting value is 10000 or more: With polarity inversion for compensation, voltage pulse (Pr. setting minus 10000) μs
859	860	Torque current/ Rated PM motor current	○	—	
96	463	Auto tuning setting/status	○	○	

Tab. 5-150: *Setting of motor constants after tuning***Tuning adjustment (Pr. 1002)**

The overcurrent protective function may be activated during Lq tuning for an easily magnetically saturated motor (motor with a large Lq decay ratio). In such case, adjust the target flowing current used for tuning with Pr. 1002 "Lq tuning target current adjustment coefficient".

Changing the motor constants

- If the motor constant is known, the motor constant can be set directly or set using data measured through offline auto tuning.
- According to the Pr. 71 (Pr. 450) setting, the range of the motor constant parameter setting values and units can be changed. The setting values are stored in the EEPROM as motor constant parameters, and two types of motor constants can be stored.

Changing the motor constants (if setting motor constants in units of [Ω], [mH] or [A])

- Set Pr. 71 as shown below.

Motor		Pr. 71 setting
IPM motor	MM-EFS (1500 r/min specification)/MM-THE4	210
	MM-EFS (3000 r/min specification)	240
	Other than MM-EFS/MM-THE4	8090
SPM motor		9090

Tab. 5-151: Motor selection

- Set a given value as the motor constant parameter.

First Pr.	Second Pr.	Name	Setting range	Setting increments	Initial value
90	458	Motor constant (R1)	0 to 50 Ω , 9999 ^①	0.001 Ω ^①	9999
			0 to 400 m Ω , 9999 ^②	0.01 m Ω ^②	
92	460	Motor constant (L1)/ d-axis inductance (Ld)	0 to 500 mH, 9999 ^①	0.01 mH ^①	
			0 to 50 mH, 9999 ^②	0.001 mH ^②	
93	461	Motor constant (L2)/ q-axis inductance (Lq)	0 to 500 mH, 9999 ^{①s}	0.01 mH ^①	
			0 to 50 mH, 9999 ^②	0.001 mH ^②	
706	738	Induced voltage constant (phi f)	0 to 5000 mV/(rad/s), 9999	0.1 mV/(rad/s)	
859	860	Torque current/ Rated PM motor current	0 to 500 A, 9999 ^①	0.01 A ^①	
			0 to 3600 A, 9999 ^②	0.1 A ^②	

Tab. 5-152: Parameter setting ranges

① For the FR-F820-02330(55K) or lower and FR-F840-01160(55K) or lower.

② For the FR-F820-03160(75K) or higher and FR-F840-01800(75K) or higher.

NOTE

Setting "9999" disables the tuning data. The MM-EFS/MM-THE4 constant is used for the IPM motor MM-EFS/MM-THE4, and the inverter internal constant is used for a PM motor other than MM-EFS/MM-THE4.

Changing the motor constants (if setting motor constants in the internal data of the inverter)

- Set Pr. 71 as follows.

Motor		Pr. 71 setting
IPM motor	MM-EFS (1500 r/min specification)/MM-THE4	213 (214)
	MM-EFS (3000 r/min specification)	243 (244)
	Other than MM-EFS/MM-THE4	8093 (8094)
SPM motor		9093 (9094)

Tab. 5-153: Motor selection

- Set a given value as the motor constant parameter. The displayed increments of the read motor constants can be changed with Pr. 684 "Tuning data unit switchover".

First motor Pr.	Second motor Pr.	Name	Pr. 684 = 0 (initial value)		Pr. 684 = 1		Initial value
			Setting range	Setting increments	Range indication	Unit indication	
90	458	Motor constant (R1)	0 to ***, 9999	1	0 to 50 Ω, 9999 ^①	0.001 Ω ^①	9999
					0 to 400 mΩ, 9999 ^②	0.01 mΩ ^②	
92	460	Motor constant (L1)/ d-axis inductance (Ld)			0 to 500 mH, 9999 ^①	0.01 mH ^①	
					0 to 50 mH, 9999 ^②	0.001 mH ^②	
93	461	Motor constant (L2)/ q-axis inductance (Lq)			0 to 500 mH, 9999 ^①	0.01 mH ^①	
					0 to 50 mH, 9999 ^②	0.001 mH ^②	
706	738	Induced voltage constant (phi f)			0 to 5000 mV/s/rad, 9999	0.1 mV/ (rad/s)	
859	860	Torque current/ Rated PM motor current			0 to 500 A, 9999 ^①	0.01 A ^①	
			0 to 3600 A, 9999 ^②	0.1 A ^②			

Tab. 5-154: Parameter setting ranges

- ① For the FR-F820-02330(55K) or lower and FR-F840-01160(55K) or lower.
- ② For the FR-F820-03160(75K) or higher and FR-F840-01800(75K) or higher.

NOTES

As the motor constants measured in the offline auto tuning have been converted into internal data (****), refer to the following setting example when making setting:

Setting example:

To slightly increase Pr. 90 value (5%)

If Pr. 90 = "2516" is displayed

The value can be calculated with "2516 × 1.05 = 2641.8". Therefore set Pr. 90 = "2642".

(The value displayed has been converted into a value for internal use. Hence, simple addition of a given value to the displayed value has no significance)

Setting "9999" disables the tuning data. The MM-EFS/MM-THE4 constant is used for the IPM motor MM-EFS/MM-THE4, and the inverter internal constant is used for a PM motor other than MM-EFS/MM-THE4.

Parameters referred to			
Pr. 9	Electronic thermal O/L relay	=>	page 5-150
Pr. 71	Applied motor	=>	page 5-297
Pr. 178 to Pr. 189	(input terminal function selection)	=>	page 5-285

5.10.4 Online auto tuning

If online auto tuning is selected under Advanced magnetic flux vector control, favorable torque accuracy is retained by adjusting temperature even when the resistance value varies due to increase in the motor temperature.

Pr.	Name	Initial value	Setting range	Description
95 C111	Online auto tuning selection	0	0	Do not perform online auto tuning
			1	Perform online auto tuning at startup
574 C211	Second motor online auto tuning	0	0 and 1	Select online auto tuning for the second motor. (same as Pr. 95)

Performing online auto tuning at startup (setting value "1")

- By promptly tuning the motor status at startup, accurate operation without being affected by motor temperature is achieved. Also high torque can be provided at very low speed and stable operation is possible.
- When using Advanced magnetic flux vector control (Pr. 80 "Motor capacity," Pr. 81 "Number of motor poles", select the online auto tuning at start.
- Make sure to perform offline auto tuning before performing online auto tuning.
- Operation method
 - ① Perform offline auto tuning. (Refer to page 5-45.)
 - ② Check that Pr. 96 "Auto tuning setting/status" = "3 or 103 (offline auto tuning completion)".
 - ③ Set Pr. 95 "Online auto tuning selection" = "1 (online auto tuning at start)".
 - ④ Check that the following parameters are set before starting operation.

Pr.	Description
9	Uses both rated motor current and electronic thermal O/L relay.
71	Applicable motor
80	Motor capacity (with the rated motor current equal to or lower than the inverter rated current) ^①
81	Number of motor poles

Tab. 5-155: Related Parameters

- ① If a motor with substantially low rated current compared with the inverter rated current is used, speed and torque accuracies may deteriorate due to torque ripples, etc. Set the rated motor current to about 40% or higher of the inverter rated current.
- ⑤ In the PU operation mode, press FWD/REV key on the operation panel.
For External operation, turn ON the start command (STF signal or STR signal).

NOTES

When performing online auto tuning at startup for a lift, consider using an external terminal. The tuning is completed in at most approximately 500 ms after starting. However, during this time, it is possible that not enough torque is provided and caution is required to prevent the object from dropping. Use of the start-time tuning start (X28) signal is recommended to perform tuning. (Refer to page 5-328.)

Perform online auto tuning at startup when the motor is stopped.

The online auto tuning is disabled when the MRS signal is being input, the setting speed is Pr. 13 "Starting frequency" or lower (V/F control, Advanced magnetic flux vector control), an inverter fault is occurring, or the inverter's startup condition is not satisfied.

Online auto tuning does not operate during deceleration and restart from DC injection brake operation.

It is disabled during JOG operation.

If automatic restart after instantaneous power failure is selected, automatic restart is prioritized. (Online auto tuning at startup does not run during frequency search.)

If automatic restart after instantaneous power failure is used together, perform online auto tuning while stopping operation with the X28 signal. (Refer to page 5-328.)

Zero current detection and output current detection are enabled during online auto tuning.

No RUN signal is output during online auto tuning. The RUN signal is turned ON at operation startup.

If the time between the inverter stop and restart is within 4 s, tuning is performed at startup but its result will not be applied.

**Online auto tuning at startup using the external terminal
(setting value "1", X28 signal and Y39 signal)**

- Before turning ON the start signal (STF or STR), online auto tuning can be performed by turning ON the Start-time tuning start external input (X28) signal in a stopped status. Such operation will minimize the startup delay by turning at start.
- Perform offline auto tuning and set Pr. 95 = "1" (tuning at start).
- When Start time tuning completion (Y39) is OFF, tuning at start can be performed with X28 signal.
- Up to 500 ms can be taken to complete tuning at startup.
- To use the X28 signal, set "28" in any of Pr. 178 to Pr. 189 (Input terminal function selection) to assign the function to an input terminal.

- To use the Y39 signal, set "39 (positive logic) or 139 (negative logic)" in any of Pr. 190 to Pr. 196 (output terminal function selection) to assign function to an output terminal.

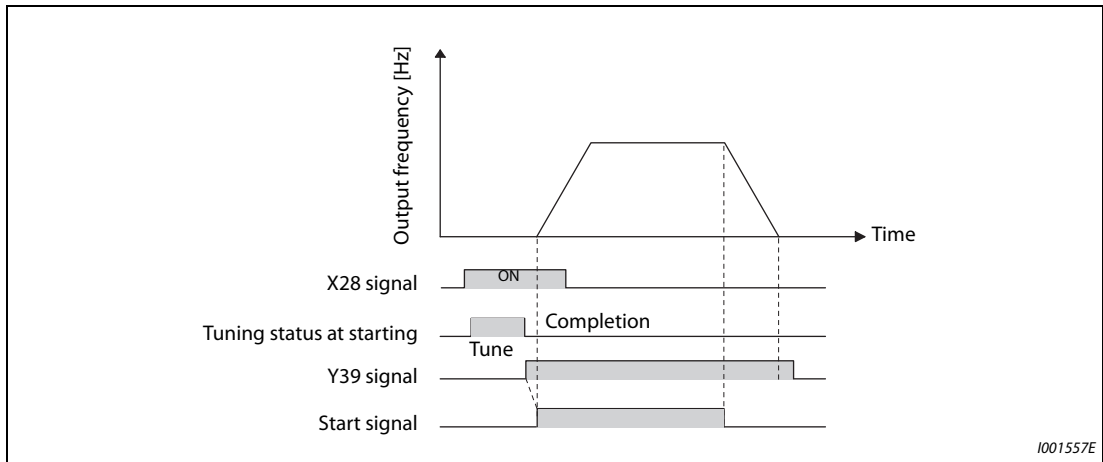


Fig. 5-143: Start of online auto tuning using an external signal

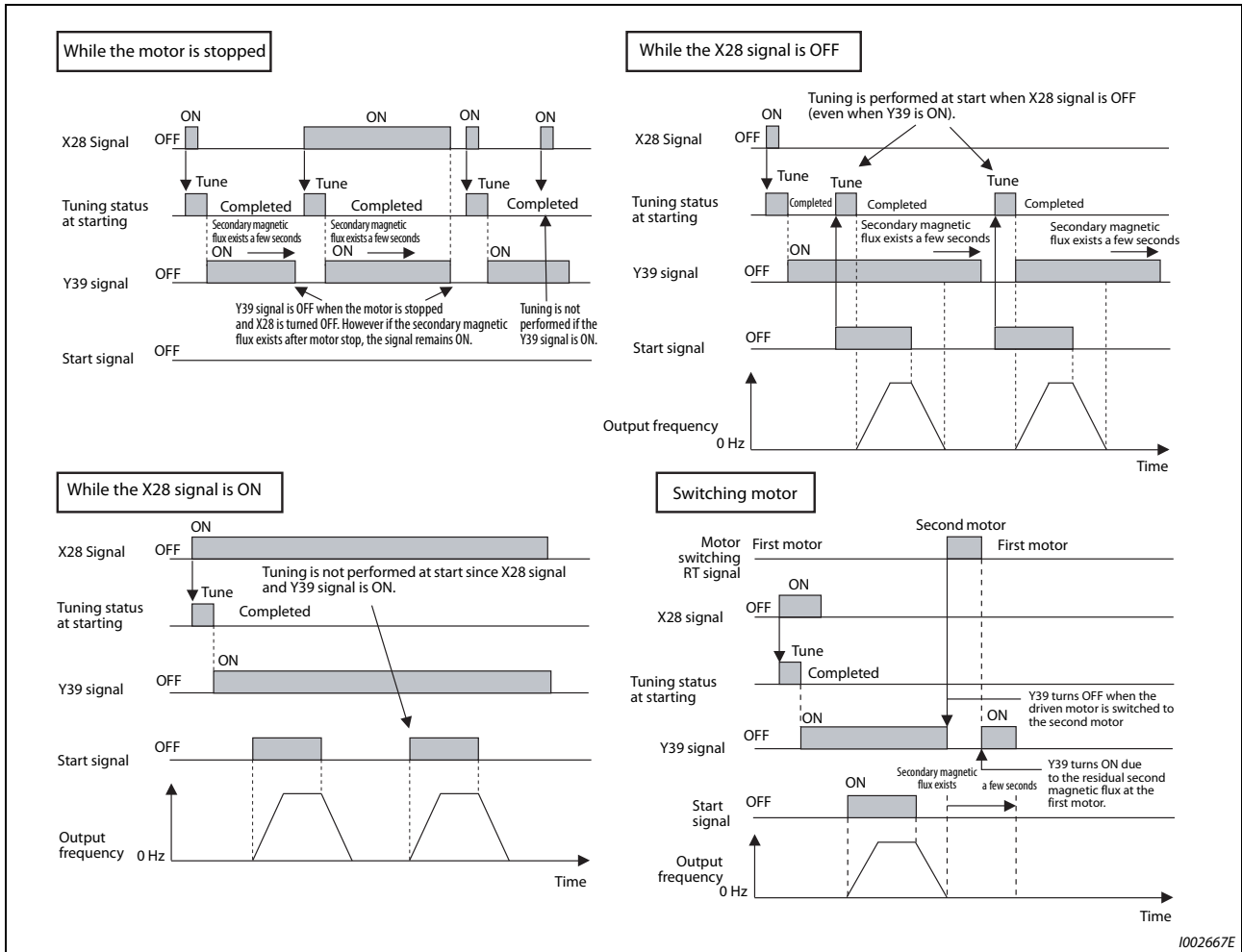


Fig. 5-144: Timing chart of online auto tuning

NOTES

The Y39 signal remains ON as long as there is second flux even after the motor is stopped.

The X28 signal is disabled while the Y39 signal is ON.

The STF and STR signals are enabled after completing tuning at start.

The Inverter running (RUN) signal is not turned ON during online auto tuning. The RUN signal is turned ON after starting up.

It is disabled during V/F control or PM motor control.

Changing the terminal assignment using Pr. 178 to Pr. 189 (input terminal function selection) and Pr. 190 to Pr. 196 (output terminal function selection) may affect other functions. Set parameters after confirming the function of each terminal.

Tuning the second applied motor (Pr. 574)

When switching two different motors by one inverter, set the second motor in Pr. 450 "Second applied motor". (In the initial setting, no second motor is applied. (Refer to page 5-297.))

Pr. 574 is enabled when the Second function selection (RT) signal is turned ON.

Pr.	Description
450	Applicable motor
453	Motor capacity (with the rated motor current equal to or lower than the inverter rated current) ①
454	Number of motor poles

Tab. 5-156: *Related Parameters*

- ① If a motor with substantially low rated current compared with the inverter rated current is used, speed and torque accuracies may deteriorate due to torque ripples, etc. Set the rated motor current to about 40% or higher of the inverter rated current.

NOTES

The RT signal is a second function selection signal. The RT signal also enables other second functions. (Refer to page 5-285.)

The RT signal is assigned to the terminal RT in the initial status. Set "3" in any of Pr. 178 to Pr. 189 (input terminal function selection) to assign the RT signal to another terminal.

Changing the terminal assignment using Pr. 178 to Pr. 189 (input terminal function selection) may affect the other functions. Set parameters after confirming the function of each terminal.

Parameters referred to			
Pr. 9	Electronic thermal O/L relay	=>	page 5-150
Pr. 71	Applied motor	=>	page 5-297
Pr. 80	Motor capacity	=>	page 5-41, page 5-45, page 5-316
Pr. 81	Number of motor poles	=>	page 5-41, page 5-45, page 5-316
Pr. 96	Auto tuning setting/status	=>	page 5-45, page 5-316
Pr. 178 to Pr. 189	(input terminal function selection)	=>	page 5-285
Pr. 190 to Pr. 196	(output terminal function selection)	=>	page 5-231

5.11 (A) Application parameters

Purpose	Parameter to set			Refer to page
To operate by switching between the inverter and the commercial power supply operation	Electronic bypass function	P.A000 to P.A005	Pr. 135 to Pr. 139, Pr. 159	5-333
To reduce the standby power	Self power management	P.A002, P.A006, P.A007, P.E300	Pr. 30, Pr. 137, Pr. 248, Pr. 254	5-342
To strengthen or weaken the frequency at a constant cycle	Traverse operation	P.A300 to P.A305	Pr. 592 to Pr. 597	5-346
To remove stains on the impellers or fans of pumps by repeating a forward/reverse rotation	Cleaning function	P.A420 to P.A430	Pr. 1469 to Pr. 1479	5-348
To perform process control, such as for the pump flow volume and air volume	Multi-pump function (Advanced PID function)	P.A400 to P.A414, P.A442	Pr. 578 to Pr. 591, Pr. 1370, Pr. 1376	5-392
	PID pre-charge function	P.A616 to P.A620, P.A626, P.A656 to P.A660, P.A666	Pr. 760 to Pr. 769, Pr.1132, Pr.1133	5-385
	PID display adjustment	P.A630 to P.A633, P.A670 to P.A673	C42 to C45 (Pr. 934, Pr. 935), Pr. 1136 to Pr. 1139	5-381
	PID control	P.A442, P.A600 to P.A607, P.A610 to P.A615, P.A621 to P.A625, P.A640 to P.A644, P.A650 to P.A655, P.A661 to P.A665, P.A683 to P.A689	Pr. 127 to Pr. 134, Pr. 553, Pr. 554, Pr. 575 to Pr. 577, Pr. 609, Pr. 610, Pr. 753 to Pr. 758, Pr.1015, Pr. 1134, Pr. 1135, Pr. 1140, Pr. 1141, Pr. 1143 to Pr. 1149, Pr. 1370, Pr.1460 to Pr.1466	5-353
	PID control enhanced functions	P.A440 to P.A456, P.A627 to P.A629, P.F031	Pr.111, Pr.1361 to Pr.1375, Pr.1377 to Pr.1381	5-404
To set the constant optimal for PID control	PID gain tuning	P.A690 to P.A698	Pr.1211 to Pr.1219	5-373
To continue operating at analog current input loss	4 mA input check	P.A680 to P.A682	Pr. 573, Pr. 777, Pr. 778	5-280
To restart without stopping the motor at instantaneous power failure	Automatic restart after instantaneous power failure / flying start function for induction motors	P.A700 to P.A705, P.A710, P.F003	Pr. 57, Pr. 58, Pr. 162 to Pr. 165, Pr. 299, Pr. 611	5-415
	Frequency search accuracy improvement (V/F control, offline auto tuning)	P.A700, P.A711, P.A712, P.C110, P.C210	Pr. 96, Pr. 162, Pr. 298, Pr. 463, Pr. 560	5-316
	Automatic restart after instantaneous power failure / flying start function for IPM motors	P.A700, P.A702, P.F003, P.F004	Pr. 57, Pr. 162, Pr. 611	5-423
To decelerate the motor to a stop at instantaneous power failure	Power failure time deceleration-to-stop function	P.A730 to P.A735, P.A785	Pr. 261 to Pr. 266, Pr. 294	5-432
To operate with sequence program	PLC function	P.A800 to P.A804, P.A811 to P.A860	Pr. 414 to Pr. 417, Pr. 498, Pr. 1150 to Pr. 1199	5-439
To store the inverter running status to a USB memory device	Trace function	P.A900 to P.A906, P.A910 to P.A920, P.A930 to P.A939	Pr. 1020 to Pr. 1047	5-443

5.11.1 Electronic bypass function

The inverter contains complicated sequence circuits for switching between the commercial power supply operation and inverter operation. Therefore, interlock operation of the magnetic contactor for switching can be easily performed by simply inputting start, stop, and automatic switching selection signals.

Pr.	Name	Initial value	Setting range	Description
57 A702	Restart coasting time	9999	0	Coasting time differs according to the inverter capacity. ①
			0.1 to 30 s	Set the waiting time for the inverter to perform a restart at power restoration after an instantaneous power failure.
			9999	No restart
58 A703	Restart cushion time	1 s	0 to 60 s	Set the voltage cushion time for restart.
135 A000	Electronic bypass sequence selection	0	0	Without electronic bypass sequence
			1	With electronic bypass sequence
136 A001	MC switchover interlock time	1 s	0 to 100 s	Set the operation interlock time for MC2 and MC3.
137 A002	Start waiting time	0.5 s	0 to 100 s	Set a time period that is a little longer than the time period from the ON signal input to the actual pick-up operation of MC3 (0.3 to 0.5 s).
138 A003	Bypass selection at a fault	0	0	Inverter output stop (motor coasting) at inverter failure
			1	Automatic switchover to commercial power supply operation at inverter failure. (Switchover is not possible when an external thermal relay (E.OHT) or CPU fault (E.CPU) is occurring.)
139 A004	Automatic switchover frequency from inverter to bypass operation	9999	0 to 60 Hz	Set the frequency where the inverter operation is switched to commercial power supply operation. The inverter operation is performed from a start to Pr. 139 setting, then it switches automatically to the commercial power supply operation when the output frequency is equal to or above Pr. 139.
			9999	Without automatic switchover
159 A005	Automatic switchover frequency range from bypass to inverter operation	9999	0 to 10 Hz	Set the frequency where the commercial power supply operation, which has been switched from the inverter operation with Pr. 139, switches back to inverter operation. When the frequency command becomes less than (Pr. 139 – Pr. 159), the motor switches automatically to inverter operation and operates at the frequency of the frequency command. Turning OFF the inverter start command (STF/STR) also switches the operation to the inverter operation.
			9999	To switch the commercial power supply operation, which has been switched from the inverter operation with Pr. 139, to the inverter operation again, the inverter start command (STF/STR) is turned OFF. The operation switches to the inverter operation, and the motor decelerates to a stop.

① The coasting time when Pr. 57 = "0" is as shown below. (When Pr. 162 "Automatic restart after instantaneous power failure selection" is set to the initial value.)

FR-F820-00077(1.5K) or lower and FR-F840-00038(1.5K):0.5 s

FR-F820-00105(2.2K) to FR-F820-00340(7.5K) and

FR-F840-00052(2.2K) to FR-F840-00170(7.5K):1 s

FR-F820-00490(11K) to FR-F820-02330(55K) and

FR-F840-00250(11K) to FR-F840-01160(55K):3.0 s

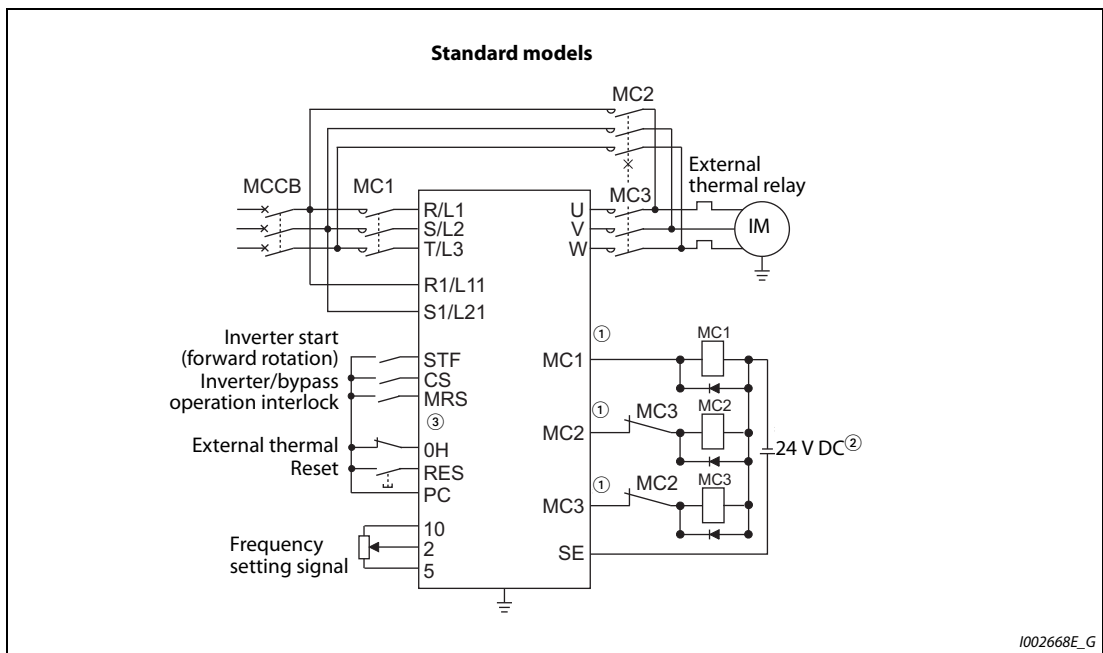
FR-F820-03160(75K) or higher and FR-F840-01800(75K) or higher:5.0 s

Electronic bypass sequence function

- When operating the motor at 60 Hz (or 50 Hz), the motor can be more efficiently operated with a commercial power supply. In addition, if the motor cannot be stopped for a long period of time even for an inverter maintenance and inspection, it is recommended that a commercial power supply circuit be installed.
- When switching between inverter operation and commercial power supply operation, commercial power supply may be accidentally applied to the output side of the inverter. To avoid such situation, provide an interlock where the magnetic contactor at the commercial power supply side turns ON at turn OFF of the magnetic contactor at the inverter output side. The inverter's electronic bypass sequence that outputs timing signals for the magnetic contactors can act as a complicated interlock between the commercial power supply operation and the inverter operation.

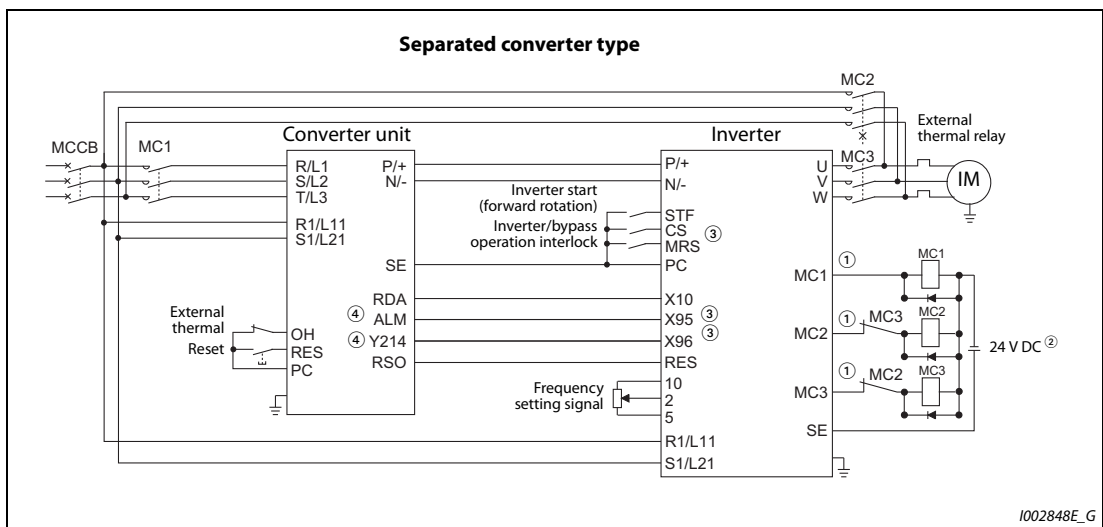
Connection diagram

- A typical connection diagram of the electronic bypass sequence is shown below.



I002668E_G

Fig. 5-145: Electronic bypass sequence connection diagram (Standard models)



I002848E_G

Fig. 5-146: Electronic bypass sequence connection diagram (Separated converter type)

- ① Be careful of the capacity of the sequence output terminals.
The applied terminals differ by the settings of Pr. 190 to Pr. 196 (output terminal function selection).

Output terminal capacity	Output terminal permissible load
Open collector output of inverter (RUN, SU, IPF, OL, FU)	24 V DC 0.1 A
Inverter relay output (A1-C1, B1-C1, A2-B2, B2-C2)	230 V AC 0.3 A
Relay output option (FR-A8AR)	30 V DC 0.3 A

- ② When connecting a DC power supply, insert a protective diode.
When connecting an AC power supply, use the relay output option (FR-A8AR) and use contact outputs.
- ③ The applied terminals differ by the settings of Pr. 180 to Pr. 189 (input terminal function selection).
- ④ To use the signal, assign the function to the output terminal Pr. 190 to Pr. 195 (output terminal function selection) of the converter unit. It is recommended, that the wiring of the ALM signal is always proof against wire breaks. High signal = no fault.

NOTES

Use the electronic bypass function in External operation mode. In addition, the wiring terminals R1/L11 and S1/L21 must be connected to a separate power source that does go through MC1. Be sure to connect using a separate power supply.

Be sure to provide a mechanical interlock for MC2 and MC3.

- Operation of magnetic contactor (MC1, MC2, MC3)

Magnetic contactor	Installation location	Operation		
		During commercial power supply operation	During inverter operation	During inverter fault
MC1	Between power supply and inverter input side	Shorted	Shorted	Open (short by reset)
MC2	Between power supply and motor	Shorted	Open	Open (Selected by Pr. 138. Always open when the external thermal relay is operating.)
MC3	Between inverter output side and motor	Open	Shorted	Open

Tab. 5-157: Operations of magnetic contactors

- The input signals are as shown below.

Signal	Applied terminal	Function	Operation	MC operation ^⑧		
				MC1 ^⑥	MC2	MC3
MRS	MRS ^①	Selects whether or not operation is available. ^②	ON Electronic bypass operation available	○	—	—
			OFF Electronic bypass operation not available	○	×	Invariance
CS	CS	Inverter/commercial power supply operation switchover ^③	ON Inverter operation	○	×	○
			OFF Commercial power supply operation	○	○	×
STF (STR)	STF (STR)	Inverter operation command (Disabled during commercial power supply operation) ^④	ON Forward rotation (reverse rotation)	○	×	○
			OFF Stop	○	×	○
OH	Set one of Pr. 180 to Pr. 189 to "7".	External thermal relay input	ON Motor normal	○	—	—
			OFF Motor fault	×	×	×
RES	RES	Operation status reset ^⑤	ON Reset	Invariance	×	Invariance
			OFF Normal operation	○	—	—
X95/X96	Set "95" and "96" in any of Pr.180 to Pr.189.	Converter unit fault / Converter unit fault (E.CPU, E.OHT)	X95 signal OFF, X96 signal OFF Converter fault (E.OHT, E.CPU)	×	×	×
			X95 signal ON, X96 signal ON Converter normal	○	—	—
			X95 signal OFF, X96 signal ON Converter fault (other than E.OHT or E.CPU)	×	— ^⑦	×

Tab. 5-158: Input signals

- ① For separated converter types, the X10 signal is assigned to the terminal MRS in the initial setting. For the MRS signal, set "24" to any of Pr. 180 to Pr. 189 (input terminal function selection) to assign the function to another terminal.
- ② When the MRS signal is OFF, neither the commercial power supply operation nor the inverter operation can be performed.
- ③ Terminal CS is initially set to "no function". To enable CS signal, set "6" in Pr.186 "CS terminal function selection" to assign the function to a terminal. The CS signal operates only when the MRS signal is ON.
- ④ STF(STR) operates only when the MRS and CS signals are both ON.
- ⑤ The RES signal can be used for reset input acceptance with Pr. 75 "Reset selection/disconnected PU detection/PU stop selection". When RES signal and another input signal are simultaneously input, the MC operation by the RES signal has a higher priority.
- ⑥ MC1 turns OFF at an inverter fault.
- ⑦ When Pr. 138 = "0 (electronic bypass invalid at a fault)", MC2 is OFF. When Pr. 138 = "1 (electronic bypass valid at a fault)", MC2 is ON.
- ⑧ MC operation
- : MC-ON
 - ×: MC-OFF
 - : During inverter operation, MC2-OFF, MC3-ON
During commercial power supply operation, MC2-ON, MC3-OFF
 - Invariance: The status before changing the signal ON or OFF is held.

- The output signals are as shown below.

Signal	Applied terminal (Pr. 190 to Pr. 196 setting)	Description
MC1	17	Operation output signal of the magnetic contactor MC1 on the inverter's input side.
MC2	18	Operation output signal of the magnetic contactor MC2 for the commercial power supply operation.
MC3	19	Operation output signal of the magnetic contactor MC3 on the inverter's output side.

Tab. 5-159: Output signals

Electronic bypass operation sequence

- Example of operation sequence without automatic bypass sequence (Pr. 139 = "9999")

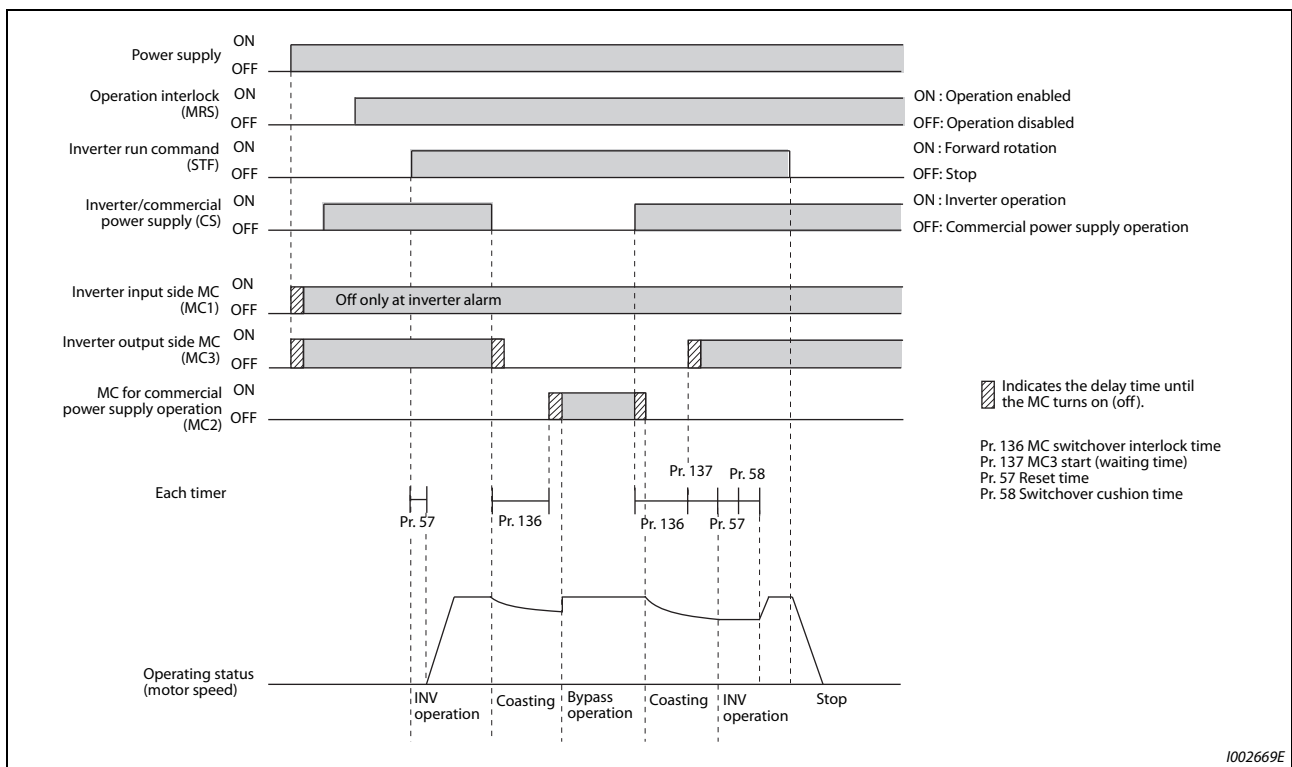


Fig. 5-147: Signal timing when there is no automatic switchover sequence

- Example of operation sequence with automatic bypass sequence (Pr. 139 ≠ "9999", Pr. 159 = "9999")

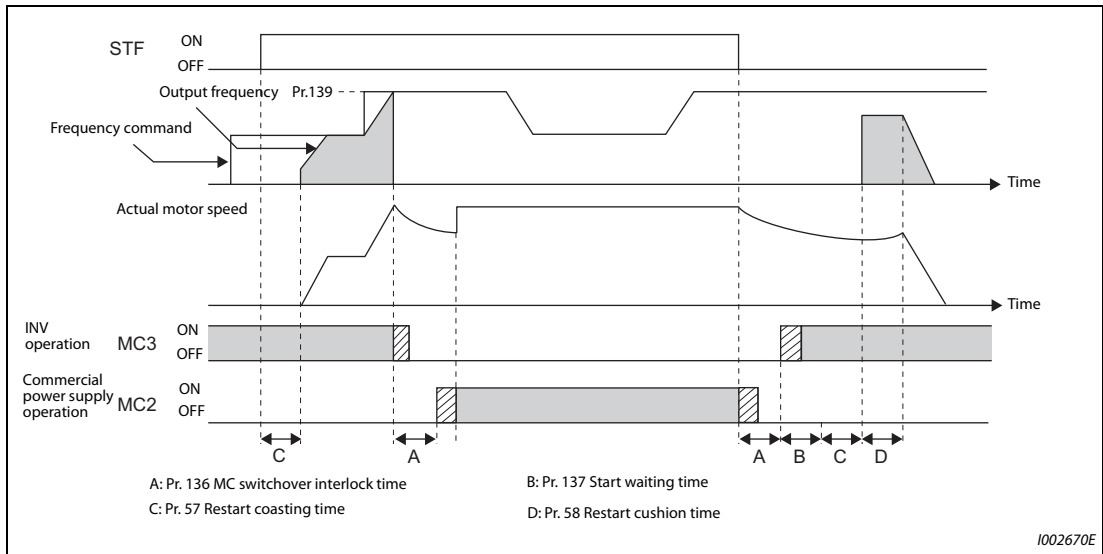


Fig. 5-148: Signal timing when there is automatic switchover sequence

- Example of operation sequence with automatic bypass sequence (Pr. 139 ≠ "9999", Pr. 159 ≠ "9999")

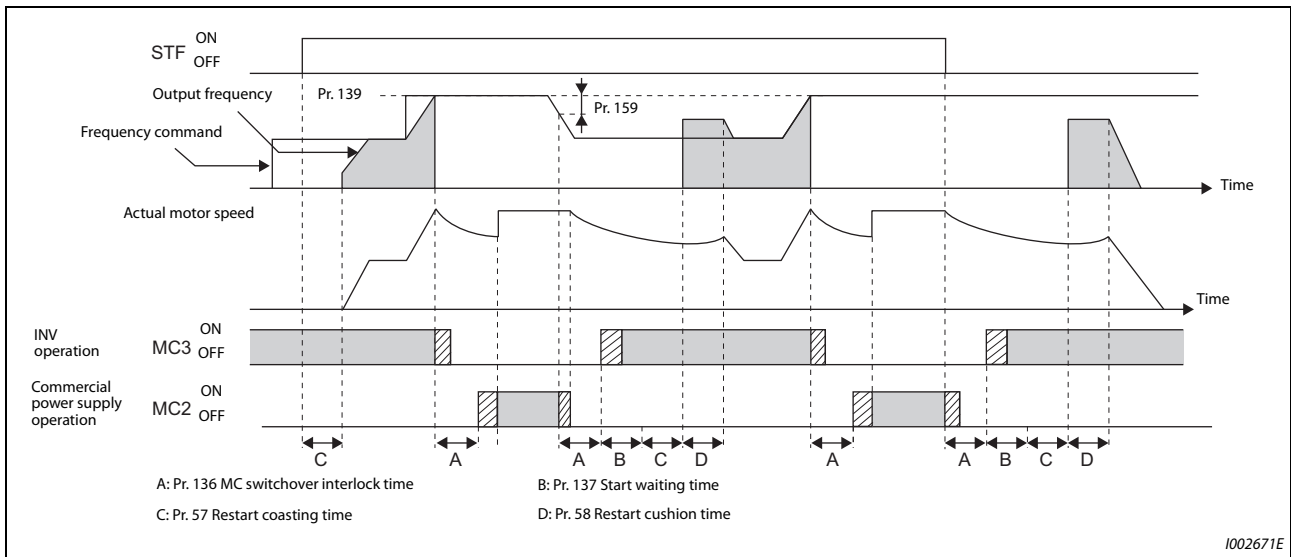


Fig. 5-149: Signal timing when there is automatic switchover sequence

Operation

● Procedure for operation

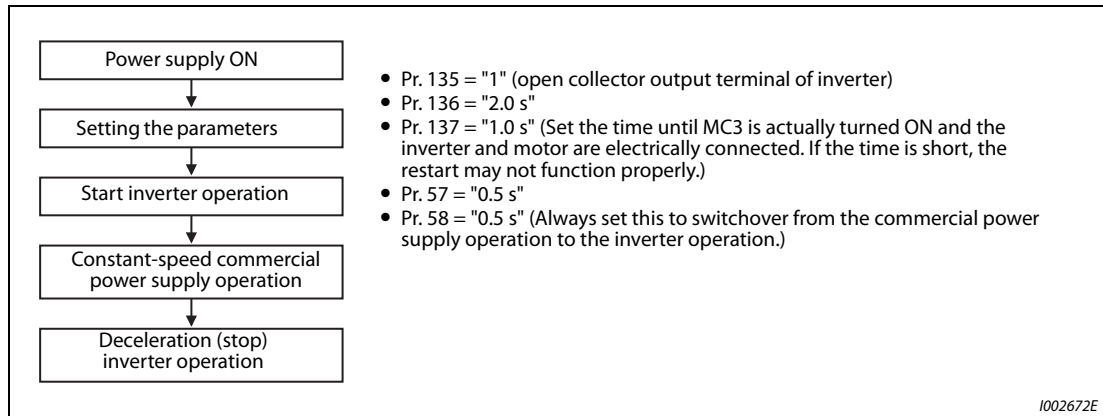


Fig. 5-150: Operation procedure

● Signal operation after setting parameters

Status	MRS	CS	STF	MC1	MC2	MC3	Remarks
Power ON	OFF (OFF)	OFF (OFF)	OFF (OFF)	OFF → ON (OFF → ON)	OFF (OFF)	OFF → ON (OFF → ON)	External operation mode (PU operation mode)
At start (Inverter)	OFF → ON	OFF → ON	OFF → ON	ON	OFF	ON	
During constant-speed operation (commercial power supply)	ON	ON → OFF	ON	ON	OFF → ON	ON → OFF	MC2 turns ON after MC3 turns OFF. Waiting time is 2 s (while coasting).
For deceleration, switched to the inverter operation (inverter)	ON	OFF → ON	ON	ON	ON → OFF	OFF → ON	MC3 turns ON after MC2 turns OFF. Waiting time is 4 s (while coasting).
Stop	ON	ON	ON → OFF	ON	OFF	ON	

Tab. 5-160: Signals after parameter setting

NOTES

Connect the control power (R1/L11, S1/L21) in front of the input-side MC1. If the control power is connected behind the input-side MC1, the electronic bypass sequence function will not operate.

The electronic bypass sequence function is only enabled when Pr. 135 = "1" and in the External operation mode or combined operation mode (PU speed command and External operation command with Pr. 79 = "3"). MC1 and MC3 turn ON when Pr. 135 = "1" and in an operation mode other than mentioned above.

MC3 turns ON when the MRS and CS signals are ON and the STF(STR) signal is OFF. If the motor was coasted to a stop from commercial power supply operation at the previous stop, the motor starts running only after waiting the time set in Pr. 137.

Inverter operation is only available when the MRS, STF(STR), and CS signals are ON. In all other cases (when the MRS signal is ON), commercial power supply operation is available.

When the CS signal is OFF, the motor switches to the commercial power supply operation. However, when the STF(STR) signal is OFF, the motor decelerates to a stop during inverter operation.

From the point where MC2 and MC3 are both turned OFF, there is a waiting time set in Pr. 136, till MC2 or MC3 is turned ON.

Even when the electronic bypass sequence is enabled (Pr. 135 = "1"), the Pr. 136 and Pr. 137 settings are ignored in PU operation mode.
In addition, the input terminals (STF, CS, MRS, OH) return to perform their normal functions.

When the electronic bypass sequence function (Pr. 135 = "1") and PU operation interlock function (Pr. 79 = "7") are used at the same time, the MRS signal is shared with the PU operation external interlock if the X12 signal is not assigned. (The inverter operation is available when the MRS and CS signals are ON.)

Set the acceleration time to the level that does not activate the stall prevention operation.

When switching to the commercial power supply operation while a failure such as an output short circuit is occurring between the magnetic contactor MC3 and the motor, the damage may further spread. When a failure occurs between the MC3 and motor, make sure to provide a protection circuit, such as using the OH signal input.

Changing the terminal functions with Pr. 178 to Pr. 189 and Pr. 190 to Pr. 196 may affect other functions. Set parameters after confirming the function of each terminal.

Switching with the electronic bypass sequence is not available during retry. Switching occurs after the retry. When the electronic bypass is valid at a fault (Pr. 138 = "1"), switching occurs also during retry.

When the electronic bypass sequence function and the retry function of the converter unit are used at the same time for the separated converter type, set 101 or more in the number of retries at fault occurrence (Pr.67) on the converter unit side.

When a value less than 100 is set, ALM signal does not turn ON until the retry count is exceeded. In this case, the electronic bypass at a fault is not performed until the retry count is exceeded.

Operation in combination with the self power management function for the separated converter type

When the self power management function is used with the separated converter type, the input signal operations are as follows.

X95 (Converter unit fault)	X96 (Converter unit fault (E.OHT, E.CPU))	X94 (Control signal for main circuit power supply MC)	MC operation ^③			Converter status
			MC1	MC2	MC3	
OFF	OFF	ON	○ ^②	×	×	Converter fault (E.OHT (Pr. 248 = "2"))
		OFF	×	×	×	Converter fault (E.OHT (Pr. 248 = "1"), E.CPU)
ON	ON	ON	○ ^②	—	—	Converter normal
OFF	ON ON OFF		○ ^②	— ^①	×	Converter fault (other than the circuit failure fault or E.OHT) (Pr. 248 = "2")
			×	— ^①	×	Converter fault (other than E.OHT or E.CPU)

Tab. 5-161: Input signals of self power management function with separated converter type

- ① When Pr. 138="0 (electronic bypass invalid at a fault)", MC2 is OFF. When Pr. 138 = "1 (electronic bypass valid at a fault)", MC2 is ON.
- ② The self power management operation is effective.
- ③ MC operation
- : MC-ON
 - ×: MC-OFF
 - : During inverter operation, MC2-OFF, MC3-ON
During commercial power supply operation, MC2-ON, MC3-OFF

Parameters referred to			
Pr. 11	DC injection brake operation time	=>	page 5-545
Pr. 57	Restart coasting time	=>	page 5-415, page 5-423
Pr. 58	Restart cushion time	=>	page 5-415
Pr. 79	Operation mode selection	=>	page 5-119
Pr. 178 to Pr. 189	(input terminal function selection)	=>	page 5-285
Pr. 190 to Pr. 196	(output terminal function selection)	=>	page 5-231

5.11.2 Self power management

By turning ON the magnetic contactor (MC) on the input side before the motor is started and turning OFF the MC after the motor is stopped, power is not supplied to the main circuit, reducing the standby power.

Pr.	Name	Initial value	Setting range	Description
248 A006	Self power management selection	0	0	Self power management function disabled
			1	Self power management function enabled (main circuit OFF at protective function activation)
			2	Self power management function enabled (main circuit OFF at protective function activation due to a circuit failure)
137 A002	Start waiting time	0.5 s	0 to 100 s	Set a time period that is a little longer than the time period from the ON signal input to the actual pick-up operation of MC1 (0.3 to 0.5 s).
254 A007	Main circuit power OFF waiting time	600 s	1 to 3600 s	Set the waiting time until the main circuit power supply is turned OFF after the motor is stopped.
			9999	The main circuit power supply is turned OFF only when the protective function selected by Pr. 248 is activated.
30 E300	Regenerative function selection	0	100, 101	Power supply to the inverter: AC (terminals R, S, and T) When power is supplied only to the control circuit, and then switched to be supplied to both the control and main circuits, inverter reset is not performed.
			0 to 2, 10, 11, 20, 21, 102, 110, 111, 120, 121	For other settings, refer to page 5-552.

Connection diagram

- Terminal R1, S1 inputs

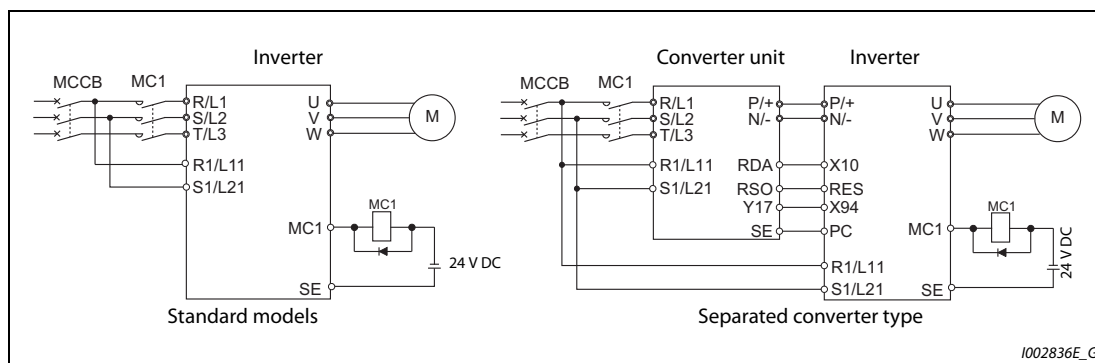


Fig. 5-151: Power input via terminals R1 and S1

● 24 V external power supply input

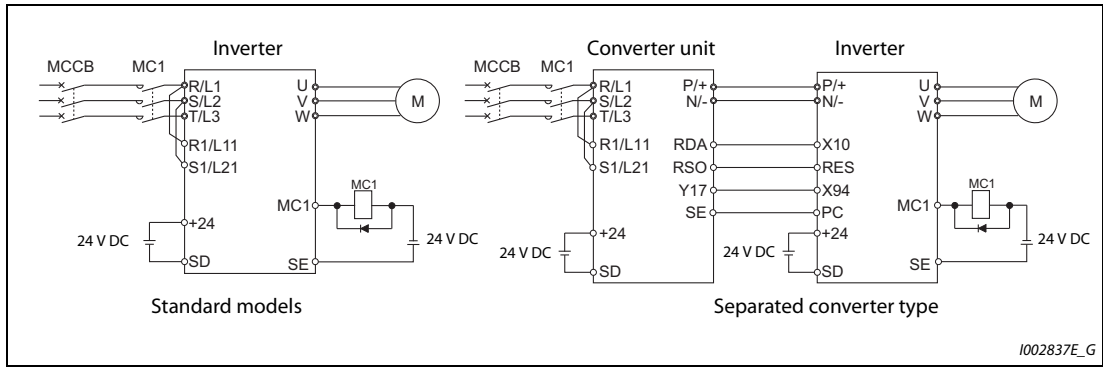


Fig. 5-152: Power input via external 24 V power supply

Operation of the self power management function

- This function controls the magnetic contactor (MC) on the input side using the output relay to reduce the standby power during inverter stop. With the terminals R1/L11 and S1/L21 (refer to page 2-58) and 24 V external power supply input (refer to page 2-61), the main circuit power supply and control circuit power supply are separated, and the MC for main circuit power supply is controlled by the electronic bypass MC1 signal.
- Set Pr. 248 "Self power management selection" = "1 or 2", Pr. 30 "Regenerative function selection" ≠ "20, 21, 120, or 121" (other than DC feeding mode 2), and Pr. 190 to Pr. 196 (output terminal function selection) = "17 (positive logic)" to assign the Electronic bypass MC1 (MC1) signal to an output terminal.
- After the inverter is stopped and the time set in Pr. 11 "DC injection brake operation time" and Pr. 254 "Main circuit power OFF waiting time" have passed, turning OFF the MC1 signal releases the MC on the input side (main circuit power supply OFF). Set Pr. 254 to prevent frequent MC operation.
- Turning ON the start signal turns ON the MC1 signal and closes the MC on the input side (main circuit power supply ON). After the time set in Pr. 137 "Start waiting time" has passed, the inverter starts. Set time slightly longer (about 0.3 to 0.5 s) than the time period from the MC1-ON to the actual pick-up operation of the MC is turned ON in Pr. 137.

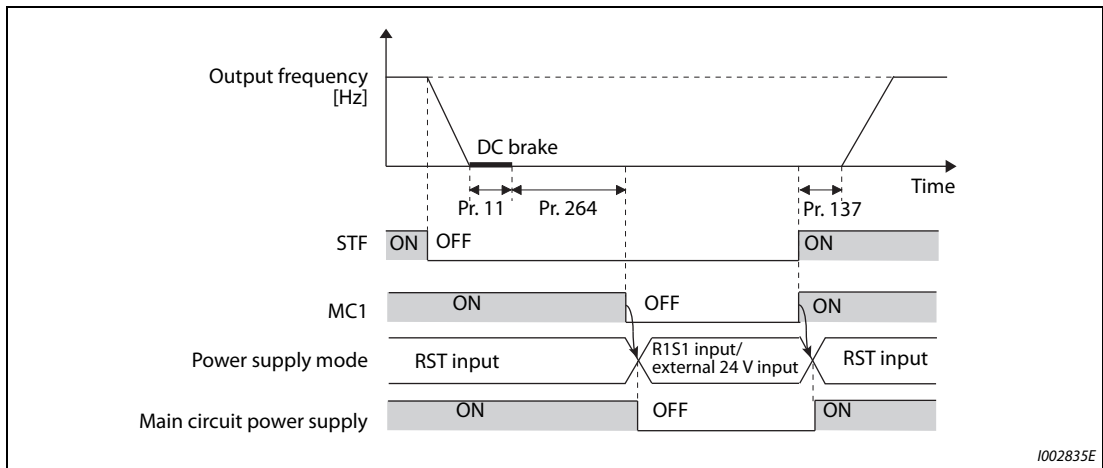


Fig. 5-153: Timing diagram of the self power management function

- When the protective function of the inverter is activated, the MC1 signal is immediately turned OFF according to the Pr. 248 setting. (The MC1 signal is turned OFF before the time set in Pr. 254 has passed.)

- When Pr. 248 = "1", the MC1 signal is turned OFF when the protective function is activated due to any cause.
- When Pr. 248 = "2", the MC1 signal is turned OFF only when the protective function is activated due to an error resulted from a failure in the inverter circuit or a wiring error (refer to the following table). (For the alarm details, refer to page 6-9.)

Fault record
Inrush current limit circuit fault (E.IOH)
CPU fault (E.CPU)
CPU fault (E.6)
CPU fault (E.7)
Parameter storage device fault (E.PE)
Parameter storage device fault (E.PE2)
24 VDC power fault (E.P24)
Operation panel power supply short circuit
RS-485 terminals power supply short circuit (E.CTE)
Output side earth (ground) fault overcurrent (E.GF)
Output phase loss (E.LF)
Brake transistor alarm detection (E.BE)
Internal circuit fault (E.13/E.PBT)

Tab. 5-162: Fault record at Pr. 248 = "2"

- To enable the self power management function for the separated converter type, enable the self power management function also on the converter unit side. To activate the self power management function when a converter unit fault occurs, connect the terminal to which Y17 signal of the converter unit is assigned and the terminal to which X94 signal of the inverter is assigned.

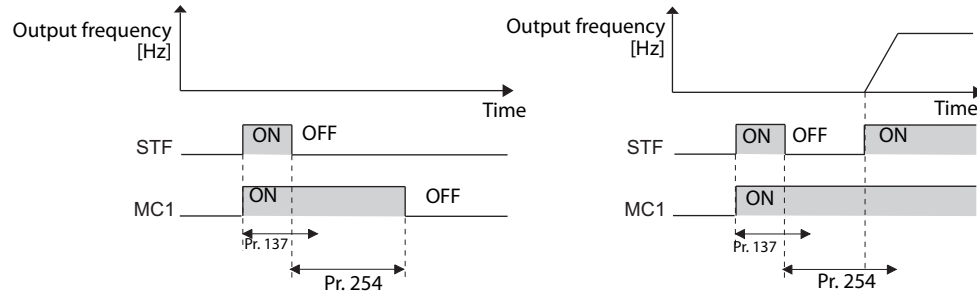
Y17 output signal (on the converter unit side)	MC1 output signal (inverter side)	MC1 output signal actual operation	Main circuit power supply
OFF	OFF	OFF	Stop
OFF	ON	OFF	Stop
ON	OFF	OFF	Stop
ON	ON	ON	Supplied

Tab. 5-163: Signals Y17 and MC1 for self power management function with separated converter type

NOTES

When the start signal is turned OFF before the time set in Pr. 137 has passed after the start signal is turned ON, the inverter does not start and the MC1 signal is turned OFF after the time set in Pr. 254 has passed.

If the start signal is turned ON again before the time set in Pr. 254 has passed, the inverter immediately starts outputting.



At inverter reset, the status of the MC1 signal is held and operation of the magnetic contactor is not performed.

When the inverter stops the output due to, for example, the Output stop (MRS) signal, the MC1 signal is turned OFF after the time set in Pr. 254 has passed.

During the stop, turning ON the External DC injection brake operation start signal (X13) and Pre-excitation/servo ON signal (LX) turns ON the MC1 signal.

To avoid inverter reset when starting to supply power to the main circuit when power is already supplied only to the control circuit, set 100 or more in Pr. 30. (For the separated converter type, setting Pr. 30 of the converter unit is also required.)

When supplying power to the main circuit is started when power is supplied only to the control circuit, there is a little waiting time before starting.

Repeated operation of the magnetic contactor due to frequent start and stop or activation of the protective function may shorten the inverter life.

Changing the terminal assignment using Pr. 178 to Pr. 189 (input terminal function selection) and Pr. 190 to Pr. 196 (output terminal function selection) may affect the other functions. Set parameters after confirming the function of each terminal.

Parameters referred to			
Pr. 11	DC injection brake operation time	=>	page 5-545
Pr. 30	Regenerative function selection	=>	page 5-552
Pr. 190 to Pr. 196	(output terminal function selection)	=>	page 5-231

5.11.3 Traverse function

The traverse operation, which oscillates the frequency at a constant cycle, is available.

Pr.	Name	Initial value	Setting range	Description
592 A300	Traverse function selection	0	0	Traverse function invalid
			1	Traverse function valid only in External operation mode
			2	Traverse function valid regardless of the operation mode
593 A301	Maximum amplitude amount	10%	0 to 25%	Level of amplitude during traverse operation
594 A302	Amplitude compensation amount during deceleration	10%	0 to 50%	Compensation amount during amplitude inversion (from acceleration to deceleration)
595 A303	Amplitude compensation amount during acceleration	10%	0 to 50%	Compensation amount during amplitude inversion (from deceleration to acceleration)
596 A304	Amplitude acceleration time	5 s	0.1 to 3600 s	Time period of acceleration during traverse operation
597 A305	Amplitude deceleration time	5 s	0.1 to 3600 s	Time period of deceleration during traverse operation

- Setting Pr. 592 "Traverse function selection" = "1 or 2" will enable the traverse function.
- Assigning the Traverse function selection (X37) signal to the input terminal will enable the traverse function only when the X37 signal is ON. (When the X37 signal is not assigned, the traverse function is always available.) To input the X37 signal, set "37" in any of Pr.178 to Pr.189 (input terminal function selection) to assign the function to a terminal.

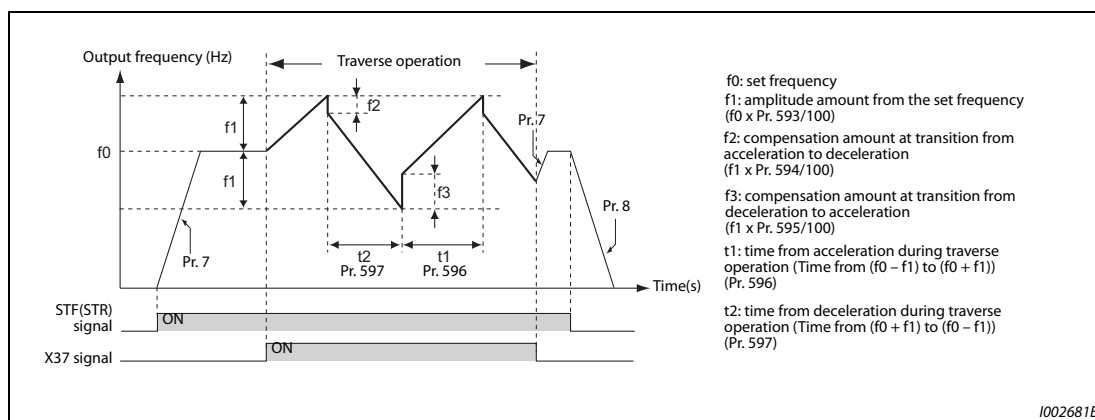


Fig. 5-154: Traverse function

- The motor accelerates to the set frequency f_0 according to the normal Pr. 7 "Acceleration time" at turn ON of the start command (STF or STR).
- When the output frequency reaches f_0 and the X37 signal turns ON, the inverter begins traverse operation and accelerates to $f_0 + f_1$. The acceleration time at this time is according to the Pr. 596 setting. (If the X37 signal turns ON before the output frequency reaches f_0 , traverse operation begins after the output frequency reaches f_0 .)
- After the inverter accelerates to $f_0 + f_1$, this is compensated with f_2 ($f_1 \times \text{Pr. 594}$), and the inverter decelerates to $f_0 - f_1$. The deceleration time at this time is according to the Pr. 597 setting.
- After the inverter decelerates to $f_0 - f_1$, this is compensated with f_3 ($f_1 \times \text{Pr. 595}$), and the inverter accelerates again to $f_0 + f_1$.

- When the X37 signal turns OFF during traverse operation, the inverter accelerates/decelerates to f_0 according to the normal acceleration/deceleration time (Pr. 7, Pr. 8). If the start command (STF or STR) is turned OFF during traverse operation, the inverter decelerates to a stop according to the normal deceleration time (Pr. 8).

NOTES

If the set frequency (f_0) and traverse operation parameters (Pr. 598 to Pr. 597) are changed during traverse operation, this is applied in operations after the output frequency reaches f_0 before the change was made.

If the output frequency exceeds Pr. 1 "Maximum frequency" or Pr. 2 "Minimum frequency" during traverse operation, the output frequency is clamped at the maximum/minimum frequency when the set pattern exceeds the maximum/minimum frequency.

When the traverse function and S-pattern acceleration/deceleration (Pr. 29 \neq "0") are selected, S-pattern acceleration/deceleration operation occurs only in the range operated at the normal acceleration/deceleration time (Pr. 7, Pr. 8). Acceleration/deceleration during traverse operation is performed linearly.

If stall prevention activates during traverse operation, traverse operation stops and normal operation begins. When stall prevention operation is completed, the inverter accelerates/decelerates to f_0 at the normal acceleration/deceleration time (Pr. 7, Pr. 8). After the output frequency reaches f_0 , the traverse operation begins again.

If the value of the amplitude inversion compensation amount (Pr. 594, Pr. 595) is too large, an overvoltage trip or stall prevention occurs, and pattern operation cannot be performed as set.

Changing the terminal assignment using Pr. 178 to Pr. 189 (input terminal function selection) may affect the other functions. Set parameters after confirming the function of each terminal.

Parameters referred to			
Pr. 3	Base frequency	=>	page 5-537
Pr. 180 to Pr. 186	(input terminal function selection)	=>	page 5-285
Pr. 190 to Pr. 195	(output terminal function selection)	=>	page 5-231

5.11.4 Cleaning function

This is a function to remove stains or foreign matter on the impellers or fans of pumps by setting a forward/reverse rotation sequence.

Pr.	Name	Initial value	Setting range	Description
1469 A420	Number of cleaning times monitor	0	0 to 255	Displays the number of cleaning times. (Read-only)
1470 A421	Number of cleaning times setting	0	0 to 255	Set the number of cleaning times.
1471 A422	Cleaning trigger selection	0	0 to 15	Select the condition to start cleaning.
1472 A423	Cleaning reverse rotation frequency	30 Hz	0 to 590 Hz	Set the reverse rotation frequency for cleaning operation.
1473 A424	Cleaning reverse rotation operation time	5 s	0 to 3600 s	Set the operating time after the cleaning reverse rotation frequency is reached.
1474 A425	Cleaning forward rotation frequency	9999	0 to 590 Hz	Set the forward rotation frequency for cleaning operation.
			9999	As set in Pr.1472.
1475 A426	Cleaning forward rotation operation time	9999	0 to 3600 s	Set the operating time after the cleaning forward rotation frequency is reached.
			9999	As set in Pr.1473.
1476 A427	Cleaning stop time	5 s	0 to 3600 s	Set the stop time when the rotation is switched from forward to reverse or from reverse to forward.
1477 A428	Cleaning acceleration time	9999	0 to 3600 s	Set the acceleration time during cleaning.
			9999	Acceleration time for normal operation
1478 A429	Cleaning deceleration time	9999	0 to 3600 s	Set the deceleration time during cleaning.
			9999	Deceleration time for normal operation
1479 A430	Cleaning time trigger	0	0	Time trigger disabled
			0.1 to 6000 h	Cleaning is performed at a set time interval.

Outline of the cleaning operation

- Setting a number in Pr. 1470 "Number of cleaning times setting" enables the cleaning function.
- The cleaning operation is started when the trigger set in Pr. 1471 or Pr. 1479 occurs, or when X98 signal turns ON.
When the cleaning is started initially, the operation in the opposite direction to the start command is performed.

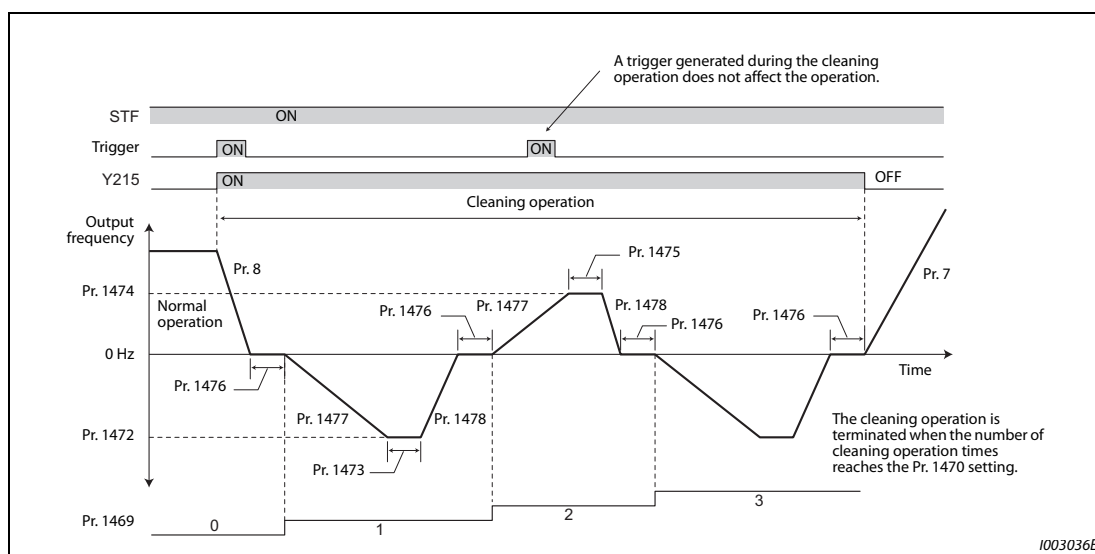


Fig. 5-155: Signal timing for cleaning operation

- When the number of times of cleaning operation is an odd number, the operation in the opposite direction to the start command is performed. When the number of cleaning times is an even number, the operation in the start command direction is performed.
- When the motor rotation direction is restricted in Pr. 78 "Reverse rotation prevention selection", rotation is performed not in the prohibited direction but in the permitted direction.

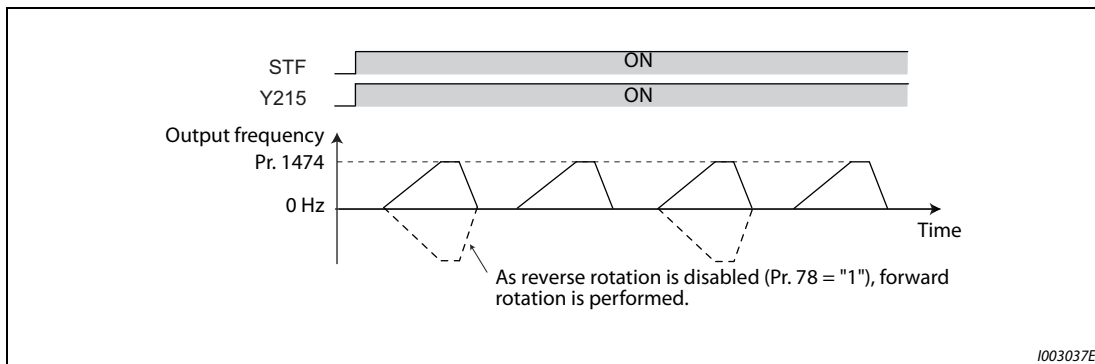


Fig. 5-156: Output frequency with reverse rotation prevention

- Use Pr. 1472 "Cleaning reverse rotation frequency "and Pr. 1474 "Cleaning forward rotation frequency" to set the running frequency for cleaning operation, and use Pr. 1473 "Cleaning reverse rotation operation time" and Pr. 1475 "Cleaning forward rotation operation time" to set the operating time after the cleaning running frequency is reached.
- Use Pr. 1477 "Cleaning acceleration time" and Pr. 1478 "Cleaning deceleration time" to set the acceleration/deceleration time during cleaning operation.
- Y215 signal turns ON during cleaning operation. For the Y215 signal, assign the function by setting "215 (positive logic)" or "315 (negative logic)" in any of Pr. 190 to Pr. 196 (output terminal function selection).

Cleaning trigger selection (Pr. 1471, Pr. 1479, X98 signal)

- Use Pr. 1471 "Cleaning trigger selection" the trigger to start cleaning operation. As set in Pr. 1471, cleaning operation is started when any of the applicable trigger conditions is satisfied.

Pr. 1471 setting	Trigger factor	Value in each bit		Remarks
		0	1	
Bit 0	Start trigger	Trigger disabled	Trigger enabled	Turning ON of the start command is defined as a trigger. ①⑥⑦
Bit 1	Output current	Trigger disabled	Trigger enabled	Turning ON of Y12 signal is defined as a trigger. ②⑤
Bit 2	PID upper/lower limit	Trigger disabled	Trigger enabled	Turning ON of FUP, FDN, FUP2, or FDN2 signal is defined as a trigger. ③⑤
Bit 3	Load warning	Trigger disabled	Trigger enabled	Turning ON of LUP or LDN signal is defined as a trigger. ④⑤
—	X98 signal input	—		Turning ON of X98 signal is defined as a trigger. (This trigger is always enabled by assigning X98 signal to an input terminal.)
—	Time trigger	—		When Pr. 1479 ≠ "0", the trigger is enabled.

Tab. 5-164: Cleaning operation and trigger condition

- ① The ON state at power-ON or inverter reset is not regarded as a trigger.
- ② Use Pr. 150 and Pr. 151 to set the detection level. (Refer to page 5-244.)
- ③ Use Pr. 131, Pr. 132, Pr. 1143, and Pr. 1144 to set the detection level. When the frequency reflection is not provided for the PID setting, or when the function is disabled, a trigger does not occur. (Refer to page 5-353.)

- ④ Set the load characteristics fault detection function. When the function is disabled, a trigger does not occur. (Refer to page 5-189.)
- ⑤ The output signal can be used as a trigger if the signal is not assigned to a terminal.
- ⑥ When the automatic restart after instantaneous power failure is set for every start, or when the online auto tuning is enabled, cleaning is started upon completion of the set operations.
- ⑦ While the self power management is enabled, the start trigger is disabled.

● Convert a bit image (binary) of the trigger factor into a decimal value, and set the value in Pr. 1471.

Pr. 1471		bit 3	bit 2	bit 1	bit 0
Decimal	Binary				
15	1111	○	○	○	○
14	1110	○	○	○	×
13	1101	○	○	×	○
12	1100	○	○	×	×
11	1011	○	×	○	○
10	1010	○	×	○	×
9	1001	○	×	×	○
8	1000	○	×	×	×
7	0111	×	○	○	○
6	0110	×	○	○	×
5	0101	×	○	×	○
4	0100	×	○	×	×
3	0011	×	×	○	○
2	0010	×	×	○	×
1	0001	×	×	×	○
0	0000	×	×	×	×

○: Trigger enabled, ×: Trigger disabled

Tab. 5-165: Settings of Pr. 1471

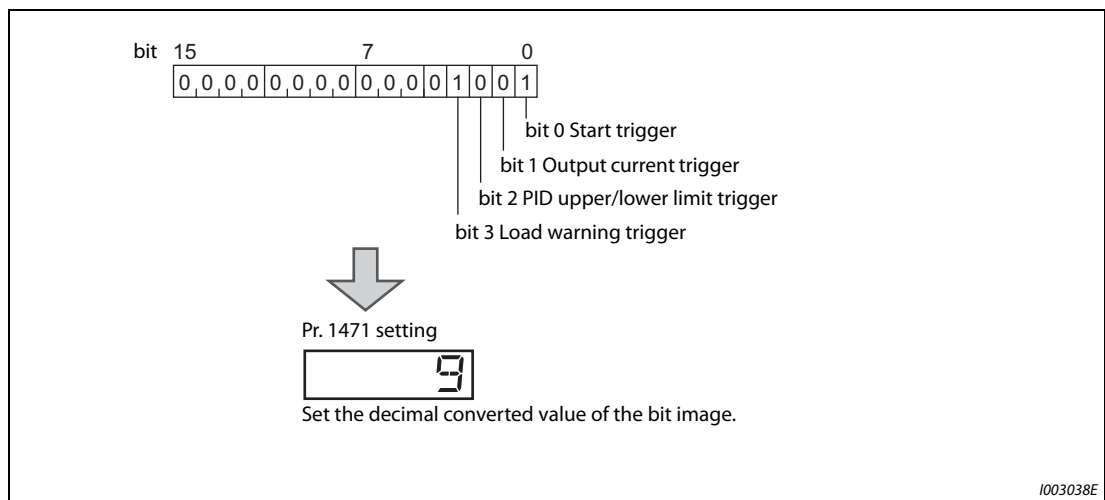


Fig. 5-157: Bit 0 to 3 of Pr. 1471 setting

● Turning ON of X98 signal can be used as a trigger to start the cleaning operation. For the X98 signal input, set "98" in any of Pr. 178 to Pr. 189 to assign the function.

- When using the cleaning function for the purpose of periodic maintenance in such applications that require continuous pump operation for a long time, use a time trigger. The time trigger is enabled by setting a time period before starting the cleaning operation in Pr. 1479 "Cleaning time trigger". The timer starts when the timer starting condition is satisfied, and the cleaning operation is performed at a time interval set in Pr. 1479.
- Starting conditions of the timer for a time trigger
 - When the start command turns ON
 - When the cleaning ends

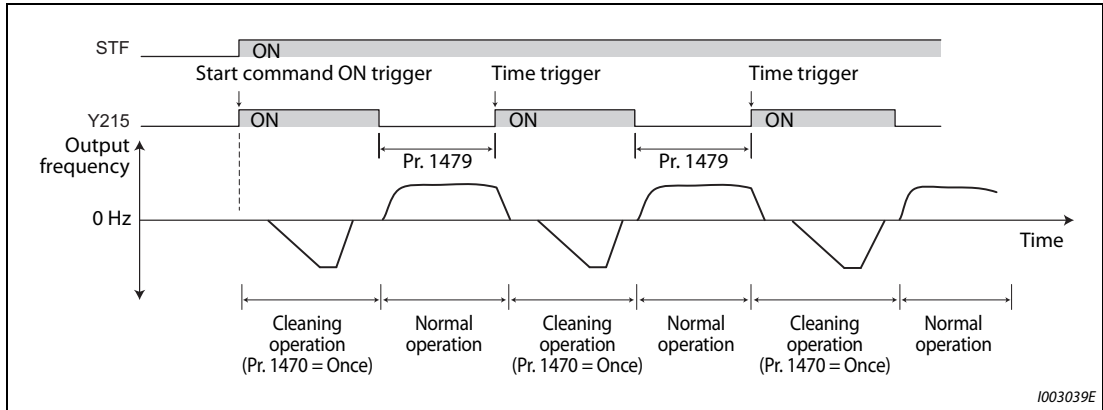


Fig. 5-158: Starting conditions of the timer for a time trigger

Cleaning operation by the cleaning signal (X97 signal)

- When the X97 signal is assigned to an input terminal, the cleaning operation can be finished when the cleaning signal (X97) is turned from ON to OFF.
- For the X97 signal input, set "97" in any of Pr. 178 to Pr. 189 to assign the function.

Pr. 1470 setting	X97 signal		Cleaning operation	Cleaning end condition
	Assignment	ON/OFF		
0	Optional	Optional	Invalid	—
Other than 0	Not assigned	—	Enabled	After cleaning is performed for the number of times set in Pr. 1470
		OFF	Invalid	—
	Assigned	ON	Enabled	<ul style="list-style-type: none"> ● After cleaning is performed for the number of times set in Pr. 1470 ● When X97 signal turns OFF

Tab. 5-166: Finishing the cleaning operation with cleaning signal (X97)

NOTES

When a trigger occurs during the following operations, the cleaning operation is started upon completion of the following operations.

Automatic restart after instantaneous power failure, online auto tuning at startup

The following functions are disabled during cleaning operation:

PID control automatic switchover frequency, PID control SLEEP function, pre-charge fault, determination of pre-charge ending with parameters, PID gain tuning, electronic bypass with the automatic switchover frequency of the inverter (Pr. 139), automatic switchover of auxiliary motors of the multi-pump function, output stop function (Pr. 522), restart at every start during cleaning

When the stall prevention is activated during acceleration of the cleaning function, the operation is shifted to the cleaning deceleration operation.

If the number of cleaning times set in Pr. 1470 is an even number, the operation is shifted to the normal operation after the cleaning forward/reverse operation time (Pr. 1473/Pr. 1475) of the final cleaning operation has elapsed.

Changing the terminal assignment with Pr. 178 to Pr. 189 and Pr. 190 to Pr. 196 may affect other functions. Set parameters after confirming the function of each terminal.

Parameters referred to			
Pr. 7	Acceleration time	=>	page 5-102
Pr. 8	Deceleration time	=>	page 5-102
Pr. 178 to Pr. 189	(input terminal function selection)	=>	page 5-285
Pr. 190 to Pr. 196	(output terminal function selection)	=>	page 5-231

5.11.5 PID control

Process control such as flow rate, air volume or pressure are possible on the inverter.

A feedback system can be configured and PID control can be performed using the terminal 2 input signal or parameter setting value as the set point, and the terminal 4 input signal as the feedback value.

Pr.	Name	Initial value	Setting range	Description
127 A612	PID control automatic switchover frequency	9999	0 to 590 Hz	Set the value at which control is automatically switched to PID control.
			9999	Without PID control automatic switchover function
128 A610	PID action selection	0	0, 10, 11, 20, 21, 50, 51, 60, 61, 70, 71, 80, 81, 90, 91, 100, 101, 1000, 1001, 1010, 1011, 2000, 2001, 2010, 2011	Select how to input the deviation value, measured value and set point, and forward and reverse action.
129 A613	PID proportional band	100%	0.1 to 1000%	If a narrow proportional band is set (small parameter setting value), the manipulated amount changes considerably by slight changes in the measured value. As a result, response improves as the proportional band becomes narrower, though stability worsens as shown by the occurrence of hunting. Gain $K_p=1/\text{proportional band}$
			9999	Without proportional band
130 A614	PID integral time	1 s	0.1 to 3600 s	With deviation step input, this is the time (Ti) used for obtaining the same manipulated amount as proportional band (P) by only integral (I) action. Arrival to the set point becomes quicker the shorter an integral time is set, though hunting is more likely to occur.
			9999	Without integral control
131 A601	PID upper limit	9999	0 to 100%	Sets the upper limit. The FUP signal is output when the feedback value exceeds this setting. The maximum input (20 mA/5 V/10 V) of the measured value (terminal 4) is equivalent to 100%.
			9999	No function
132 A602	PID lower limit	9999	0 to 100%	Set the lower limit. The FDN signal is output when the measured value falls below the setting range. The maximum input (20 mA/5 V/10 V) of the measured value (terminal 4) is equivalent to 100%.
			9999	No function
133 A611	PID action set point	9999	0 to 100%	Set the set point during PID control.
			9999	Set point set by Pr. 128.
134 A615	PID differential time	9999	0.01 to 10 s	With deviation ramp input, this is the time (Td) used for obtaining the manipulated amount only by proportional action (P). Response to changes in deviation increase greatly as the differential time increases.
			9999	Without differential control
553 A603	PID deviation limit	9999	0 to 100%	The Y48 signal is output when the absolute value of the deviation exceeds the deviation limit value.
			9999	No function
554 A604	PID signal operation selection	0	0 to 7, 10 to 17	The action when the upper or lower limit for a measured value input is detected or when a limit for the deviation is detected can be selected. The operation for PID output suspension function can be selected.
575 A621	Output interruption detection time	1 s	0 to 3600 s	If the status where the output frequency after PID calculation is less than the Pr. 576 setting is continuously the Pr. 575 set time or more, inverter running is suspended.
			9999	Without output interruption function

Pr.	Name	Initial value	Setting range	Description	
576 A622	Output interruption detection level	0 Hz	0 to 590 Hz	Set the frequency at which output interruption is performed.	
577 A623	Output interruption cancel level	1000%	900 to 1100%	Level at which the PID output suspension function is released. Set "Pr. 577 – 1000%".	
609 A624	PID set point/deviation input selection	2	1	Input of set point, deviation value from terminal 1	
			2	Input of set point, deviation value from terminal 2	
			3	Input of set point, deviation value from terminal 4	
			4	Input of set point, deviation value via CC-Link communication	
			5	Input of set point, deviation value by PLC function	
610 A625	PID measured value input selection	3	1	Terminal 1 input	Direct input of the measured value
			2	Terminal 2 input	
			3	Terminal 4 input	
			4	CC-Link communication input	
			5	PLC function input	
			101	Terminal 1 input	Input of the square root of the measured value
			102	Terminal 2 input	
			103	Terminal 4 input	
			104	CC-Link communication input	
			105	PLC function input	
1015 A607	Integral stop selection at limited frequency	0	0	Integral stopped at limited frequency, integral cleared during output interruption	
			1	Integral continued at limited frequency, integral cleared during output interruption	
			10	Integral stopped at limited frequency, integral stopped during output interruption	
			11	Integral continued at limited frequency, integral stopped during output interruption	
1370 A442	Detection time for PID limiting operation	0 s	0 to 900 s	Set the time from when the measured value input exceeds the Pr. 131 or Pr. 132 setting until the FUP or FDN signal is output.	
1460 A683	PID multistage set point 1	9999	0 to 100%	Seven set points can be set according to the combination of the PDI1, PDI2, and PDI3 signals. 9999: Not selected	
1461 A684	PID multistage set point 2				
1462 A685	PID multistage set point 3				
1463 A686	PID multistage set point 4				
1464 A687	PID multistage set point 5				
1465 A688	PID multistage set point 6				
1466 A689	PID multistage set point 7				

Pr.	Name	Initial value	Setting range	Description	
753 A650	Second PID action selection	0	0, 10, 11, 20, 21, 50, 51, 60, 61, 70, 71, 80, 81, 90, 91, 100, 101, 1000, 1001, 1010, 1011, 2000, 2001, 2010, 2011	Refer to Pr. 128.	Set the second PID control. For how to enable the second PID control, refer to page 5-391.
754 A652	Second PID control automatic switchover frequency	9999	0 to 600 Hz, 9999	Refer to Pr. 127.	
755 A651	Second PID action set point	9999	0 to 100%, 9999	Refer to Pr. 133.	
756 A653	Second PID proportional band	100	0.1 to 1000%, 9999	Refer to Pr. 129.	
757 A654	Second PID integral time	1 s	0.1 to 3600 s, 9999	Refer to Pr. 130.	
758 A655	Second PID differential time	9999	0.01 to 10 s, 9999	Refer to Pr. 134.	
1140 A664	Second PID set point/ deviation input selection	2	1 to 5	Refer to Pr. 609.	
1141 A665	Second PID measured value input selection	3	1 to 5, 101 to 105	Refer to Pr. 610.	
1143 A641	Second PID upper limit	9999	0 to 100%, 9999	Refer to Pr. 131.	
1144 A642	Second PID lower limit	9999	0 to 100%, 9999	Refer to Pr. 132.	
1145 A643	Second PID deviation limit	9999	0 to 100%, 9999	Refer to Pr. 553. (Y205 signal is output.)	
1146 A644	Second PID signal operation selection	0	0 to 3, 10 to 13	Refer to Pr. 554.	
1147 A661	Second output interruption detection time	1 s	0 to 3600 s, 9999	Refer to Pr. 575.	
1148 A662	Second output interruption detection level	0 Hz	0 to 600 Hz	Refer to Pr. 576.	
1149 A663	Second output interruption cancel level	1000%	900 to 1100%	Refer to Pr. 577.	

Basic configuration of PID control

- Pr. 128 = "10, 11" (deviation value signal input)

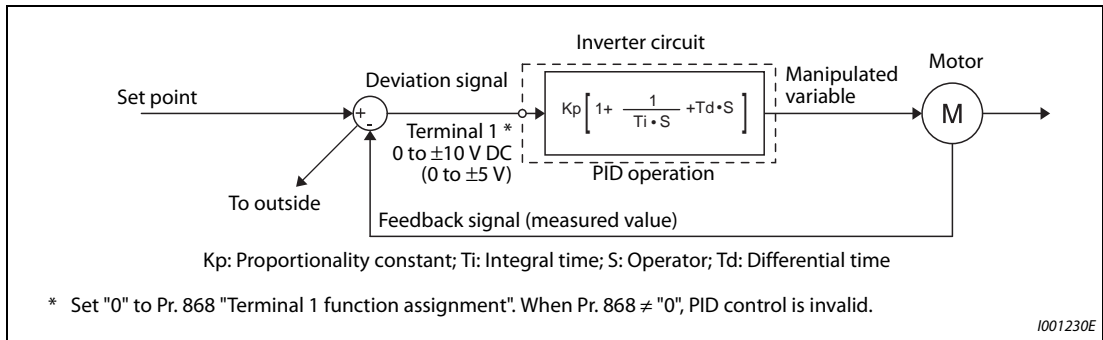


Fig. 5-159: System configuration when Pr. 128 = 10, 11 (using an external (PID) controller)

- Pr. 128 = "20, 21" (measured value input)

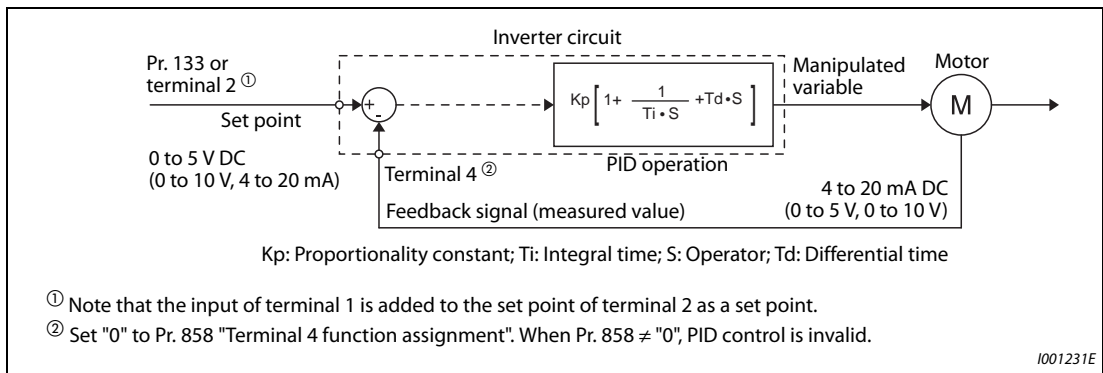


Fig. 5-160: System configuration when Pr. 128 = 20 or 21 (set/feedback value at the inverter)

PID action outline

- PI action

PI action is a combination of proportional action (P) and integral action (I), and applies a manipulated amount according to the size of the deviation and transition or changes over time.

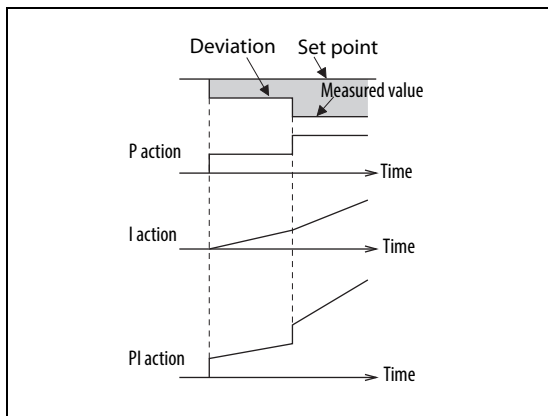


Fig. 5-161: Operation example for stepped changes of measured value

1002689E

NOTE

PI action is the result of P and I actions being added together.

● PD action

PD action is a combination of proportional action (P) and differential action (D), and applies a manipulated amount according to the speed of the deviation to improve excessive characteristics.

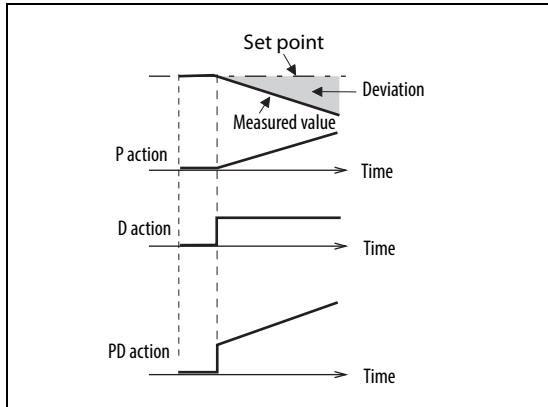


Fig. 5-162:
Operation example for proportional changes of measured value

1002687E

NOTE

PD action is the result of P and D actions being added together.

● PID action

PID action is a combination of PI and PD action, which enables control that incorporates the respective strengths of these actions.

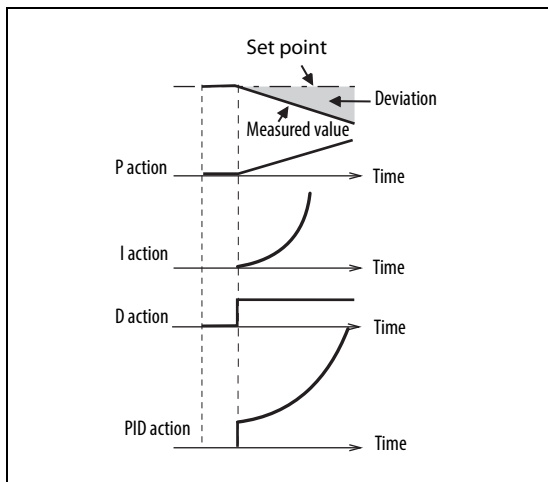


Fig. 5-163:
Operation example for proportional changes of measured value

1002688E

NOTE

PID action is the result of all P, I and D actions being added together.

● Reverse action

When deviation $X = (\text{set point} - \text{measured value})$ is a plus value, the manipulated amount (output frequency) is increased, and when the deviation is a minus value, the manipulated amount is decreased.

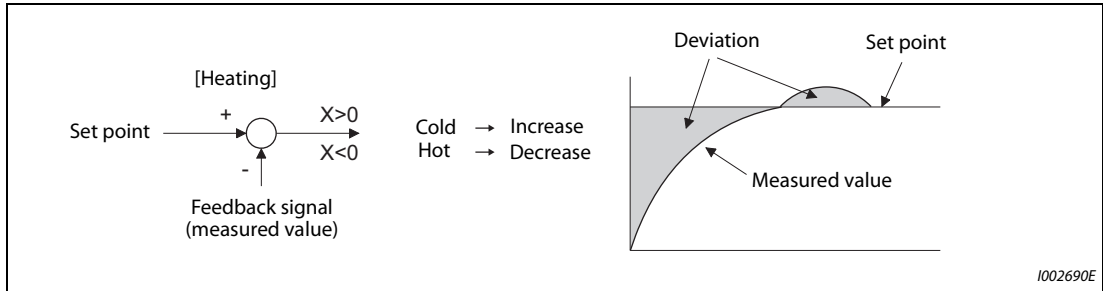


Fig. 5-164: Heating

● Forward action

When deviation $X = (\text{set point} - \text{measured value})$ is a minus value, the manipulated amount (output frequency) is increased, and when the deviation is a plus value, the manipulated amount is decreased.

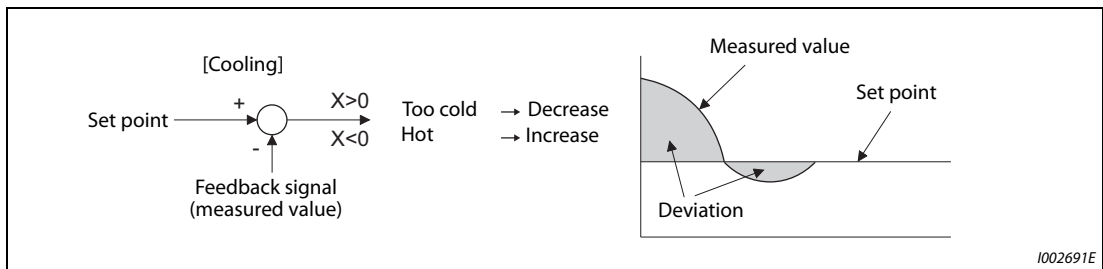


Fig. 5-165: Cooling

Relationship between deviation and manipulated amount (output frequency)

PID action setting	Deviation	
	Plus	Minus
Reverse action	↗	↘
Forward action	↘	↗

Tab. 5-167: Relationships between deviation and manipulated variable

Connection diagram

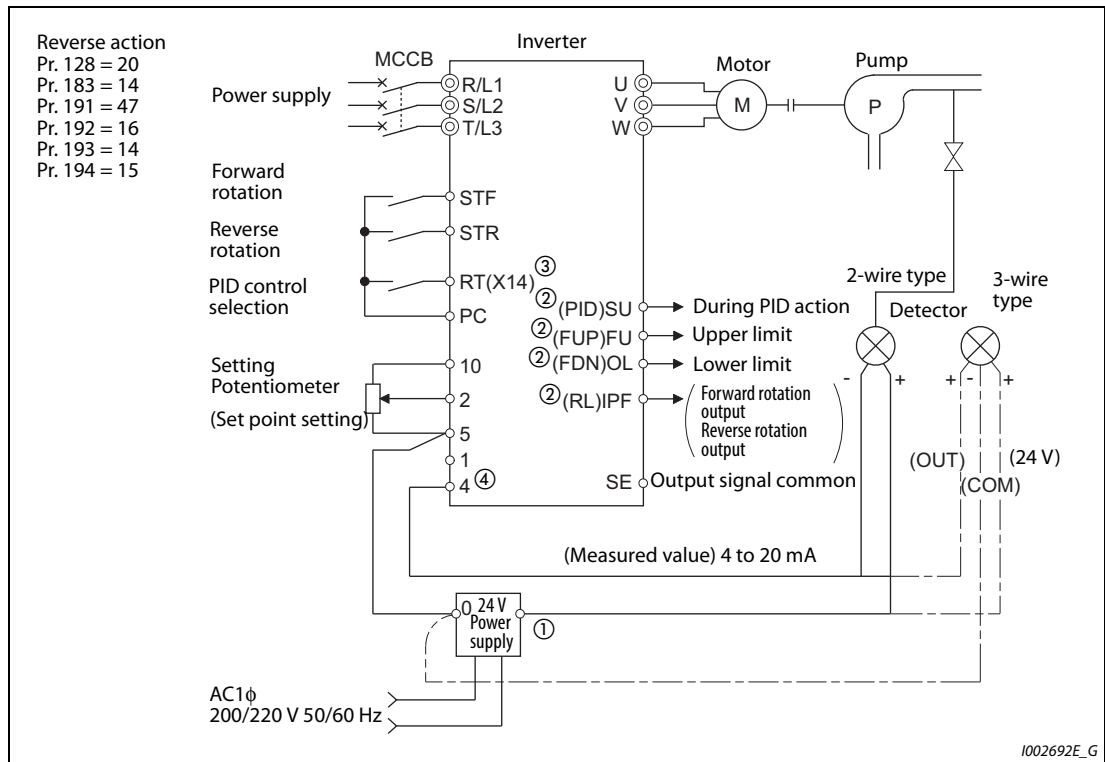


Fig. 5-166: Connection diagram in source logic

- ① Prepare a power supply matched to the power supply specification of the detector.
- ② The output signal terminal to be used differs according to the Pr. 190 to Pr. 196 (output terminal function selection) setting.
- ③ The input signal terminal to be used differs according to the Pr. 178 to Pr. 189 (input terminal function selection) setting.
- ④ The AU signal need not be input.

Selection of deviation value, measured value and set point input method, and PID action method (Pr. 128, Pr. 609, Pr. 610)

- Using Pr. 128, select the input method for the PID set point, measured value detected by the meter, and externally calculated deviation. Also, select forward or reverse action.
- Switch the power voltage/current specifications of terminals 2 and 4 by Pr. 73 "Analog input selection" or Pr. 267 "Terminal 4 input selection" to match the specification of the input device. After changing the Pr. 73 and Pr. 267 settings, check the voltage/current input selection switch. Incorrect setting may cause a fault, failure or malfunction. (Refer to page page 5-255 for the setting.)

Pr. 128 setting	Pr. 609 Pr. 610	PID action	Set point input	Measured value input	Deviation input	
0	Invalid	PID invalid	—	—	—	
10		Reverse action	—	—	Terminal 1	
11		Forward action	—	—	Terminal 1	
20		Reverse action	Terminal 2 or Pr. 133 ①	Terminal 4	—	
21		Forward action				
50	Invalid	Reverse action	—	—	CC-Link communication ②, BACnet communication	
51		Forward action				
60		Reverse action	CC-Link communication ②, BACnet communication	CC-Link communication ②, BACnet communication	—	
61		Forward action				
70		Reverse action	—	—	PLC function (with frequency reflected)	
71		Forward action				
80		Reverse action	PLC function (with frequency reflected) ③	PLC function (with frequency reflected) ③	—	
81		Forward action				
90		Reverse action	—	—	PLC function (without frequency reflected) ③	
91		Forward action				
100		Reverse action	PLC function (without frequency reflected) ③	PLC function (without frequency reflected) ③	—	
101		Forward action				
1000		Valid	Reverse action	According to Pr. 609 ①	According to Pr. 610	—
1001			Forward action			
1010			Reverse action	—	—	According to Pr. 609
1011	Forward action					
2000	Reverse action (without frequency reflected)		According to Pr. 609 ①	According to Pr. 610	—	
2001	Forward action (without frequency reflected)					
2010	Reverse action (without frequency reflected)		—	—	According to Pr. 609	
2011	Forward action (without frequency reflected)					

Tab. 5-168: Related parameters

- ① When Pr. 133 ≠ "9999", the Pr. 133 setting is valid.
- ② For the details of CC-Link communication, refer to the Instruction Manual of the option FR-A8NC, FR-A8NCE.
- ③ For the details of the PLC function, refer to the PLC Function Programming Manual.

- The set point/deviation input method can also be flexibly selected by Pr. 609 "PID set point/deviation input selection" and the measured value input method can be selected by Pr. 610 "PID measured value input selection". Selection by Pr. 609 and Pr. 610 is valid when Pr. 128 = "1000 to 2011".

Setting value		Command source	Input method
Pr. 609	Pr. 610		
1	1	Terminal 1 ①	Direct input
2	2	Terminal 2 ①	
3	3	Terminal 4 ①	
4	4	CC-Link communication	
5	5	PLC function	
—	101	Terminal 1 ①	Square root input
—	102	Terminal 2 ①	
—	103	Terminal 4 ①	
—	104	CC-Link communication	
—	105	PLC function	

Tab. 5-169: Setting of Pr. 609 and Pr. 610

- ① When the same command source has been selected for the set point and measured value using Pr. 609 and Pr. 610, set point input is invalid. (The inverter runs at set point 0%)
- When Pr. 610 "PID measured value input selection" = "101 to 105", the square root of the input value is used as the measured value.

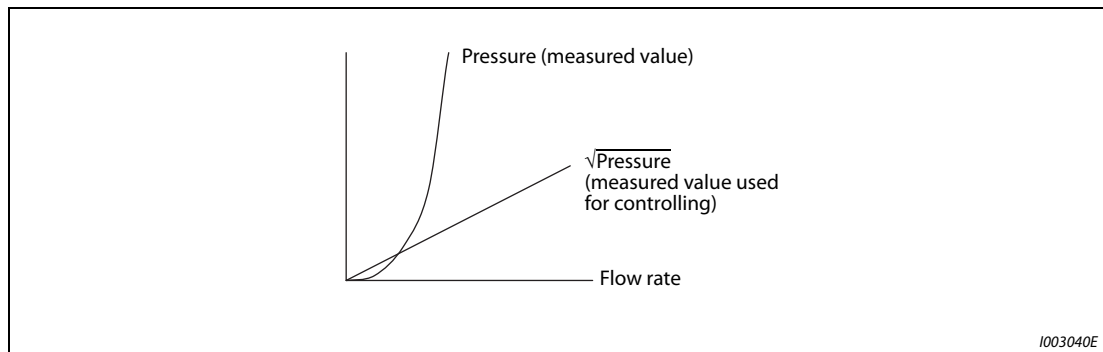


Fig. 5-167: $Flow\ rate \propto \sqrt{Pressure}$

NOTE

When terminals 2 and 4 are selected for deviation input, perform bias calibration using C3 and C6 to prevent a minus voltage from being entered as the deviation input signal. Input of a minus voltage might damage devices and the inverter.

- The following shows the relationship between the input values of the analog input terminals and set point, measured value and deviation. (Calibration parameter initial values)

Input terminal	Inspect specification ①	Relationship with analog input			Calibration parameter
		Set point	Result	Deviation	
Terminal 2	0 to 5 V	0 V = 0% 5 V = 100%	0 V = 0% 5 V = 100%	0 V = 0% 5 V = 100%	Pr. 125, C2 to C4
	0 to 10 V	0 V = 0% 10 V = 100%	0 V = 0% 10 V = 100%	0 V = 0% 10 V = 100%	
	0 to 20 mA	0 mA = 0% 20 mA = 100%	0 mA = 0% 20 mA = 100%	0 V = 0% 20 mA = 100%	
Terminal 1	0 to ±5 V	-5 V to 0 V = 0% 5 V = +100%	-5 V to 0 V = 0% 5 V = +100%	-5 V = -100% 0 V = 0% 5 V = +100%	When Pr. 128 = "10", Pr. 125, C2 to C4. When Pr. 128 ≥ "1000", C12 to C15.
	0 to ±10 V	-10 V to 0 V = 0% 10 V = +100%	-10 V to 0 V = 0% 10 V = +100%	-10 V = -100% 0 V = 0% 10 V = +100%	
Terminal 4	0 to 5 V	0 V to 1 V = 0% 5 V = 100%	0 V to 1 V = 0% 5 V = 100%	0 V = -20% 1 V = 0% 5 V = 100%	Pr. 126, C5 to C7
	0 to 10 V	0 V to 2 V = 0% 10 V = 100%	0 V to 2 V = 0% 10 V = 100%	0 V = -20% 1 V = 0% 10 V = 100%	
	0 to 20 mA	0 to 4 mA = 0% 20 mA = 100%	0 to 4 mA = 0% 20 mA = 100%	0 V = -20% 4 mA = 0% 20 mA = 100%	

Tab. 5-170: Relationship between the signals

① Can be changed by Pr. 73 and Pr. 267 and the voltage/current input switch. (Refer to page 5-255.)

NOTE

Always perform calibration after changing the voltage/input specification with Pr. 73, Pr. 267, and the voltage/current input selection switch.

Multistage set point input (Pr. 1460 to Pr. 1466)

- The set point can be selected by combining the ON/OFF status of the PDI1 to PDI3 signals. Up to eight set points can be selected. Use Pr. 1460 "PID multistage set point 1" to Pr. 1466 "PID multistage set point 7" to set the target values for selection.
- When "9999" is set in the selected multistage set point parameter, PID control is performed according to the Pr. 128, Pr. 609, and Pr. 133 settings.

Selected set point	PDI1 ①	PDI2 ①	PDI3 ①	Parameter for setting
—	OFF	OFF	OFF	As set in the Pr. 128 and Pr. 609 PID settings. As set Pr.1 33 when Pr. 133 ≠ "9999".
Multistage set point 1	ON	OFF	OFF	Pr. 1460
Multistage set point 2	OFF	ON	OFF	Pr. 1461
Multistage set point 3	ON	ON	OFF	Pr. 1462
Multistage set point 4	OFF	OFF	ON	Pr. 1463
Multistage set point 5	ON	OFF	ON	Pr. 1464
Multistage set point 6	OFF	ON	ON	Pr. 1465
Multistage set point 7	ON	ON	ON	Pr. 1466

Tab. 5-171: Multistage set point

① When functions are not assigned to the input terminals, the signals are treated as OFF.

NOTES

The multistage set point input is not available for the second PID.

The priority of the set point input is as follows: Pr. 1460 to Pr. 1466 > Pr. 133 > Pr. 128.

Input/output signals

- Assigning the PID control valid terminal signal (X14) to the input terminal by Pr. 178 to Pr. 189 (input terminal function selection) enables PID control to be performed only when the X14 signal is turned ON. When the X14 signal is OFF, regular inverter running is performed without PID action.
- Input signal

Signal	Function	Pr. 178 to Pr. 189 setting	Description
X14	PID control valid terminal	14	When the signal is assigned to the input terminal, PID control is enabled when the signal is ON.
X80	Second PID control valid terminal	80	
PDI1	PID multistage set point setting 1	38	The set point set in Pr. 1460 to Pr. 1466 can be selected by combining the ON/OFF status of the signals.
PDI2	PID multistage set point setting 2	39	
PDI3	PID multistage set point setting 3	40	
X64	During retry	64	PID control is switched between forward and reverse action without changing parameters by turning ON the signal.
X79	Second PID forward/reverse action switchover	79	
X72	PID P control switchover	72	Integral and differential values can be reset by turning the signal ON.
X73	Second PID P control switchover	73	

Tab. 5-172: Input signals and parameter settings

- Output signal

Signal	Function	Pr. 190 to Pr. 196 setting value		Description
		Positive logic	Negative logic	
FUP	PID upper limit	15	115	Output when the measured value signal exceeds Pr. 131 "PID upper limit" (Pr. 1143 "Second PID upper limit").
FUP2	Second PID upper limit	201	301	
FDN	PID lower limit	14	114	Output when the measured value signal exceeds Pr. 132 "PID lower limit" (Pr. 1144 "Second PID lower limit").
FDN2	Second PID lower limit	200	300	
RL	PID forward/reverse rotation output	16	116	"Hi" is output when the output display of the parameter unit is forward rotation (FWD), and "Low" is output when the display is reverse rotation (REV) and stop (STOP).
RL2	Second PID forward/reverse rotation output	202	302	
PID	During PID control activated	47	147	Turns ON during PID control. When the PID calculation result is not reflected to the output frequency (Pr. 128 < "2000"), the PID signal turns OFF at turn OFF of the start signal. When the PID calculation result is reflected to the output frequency (Pr. 128 ≥ "2000"), the PID signal turns ON regardless of the start signal status during PID calculation.
PID2	Second During PID control activated	203	303	
SLEEP	PID output interruption	70	170	Set Pr. 575 "Output interruption detection time" (Pr. 1147 "Second output interruption detection time") ≠ "9999". This signal turns ON when the PID output suspension function is activated.
SLEEP2	During second PID output shutoff	204	304	

Tab. 5-173: Output signals and parameter settings

NOTE

Changing the terminal functions with Pr. 178 to Pr. 189 and Pr. 190 to Pr. 196 may affect other functions. Set parameters after confirming the function of each terminal.

PID automatic switchover control (Pr. 127)

- The system can be started up more quickly by starting up without PID control activated.
- When Pr. 127 "PID control automatic switchover frequency" is set, the startup is made without PID control until the output frequency reaches the Pr. 127 setting. Once the PID control starts, the PID control is continued even if the output frequency drops to Pr. 127 setting or lower.

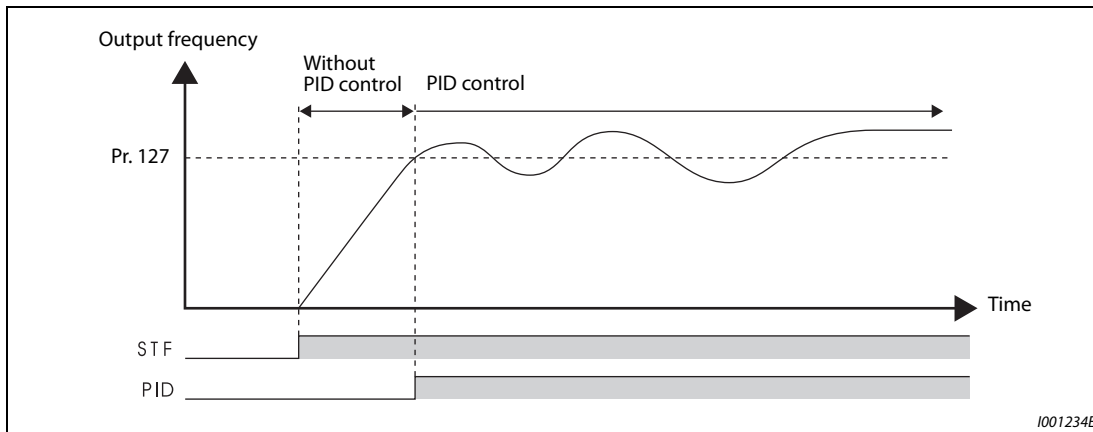


Fig. 5-168: Automatic switchover to PID control

Selection of action at a communication error and SLEEP function stop selection (FUP signal, FDN signal, Y48 signal, Pr. 554)

- Using Pr. 554 "PID signal operation selection", set the action when the measured value input exceeds the upper limit (Pr. 131 "PID upper limit") or lower limit (Pr. 132 "PID lower limit"), or when the deviation input exceeds the permissible value (Pr. 553 "PID deviation limit").
- Set the time from when the measured value input exceeds the Pr.131 or Pr.132 setting until the FUP or FDN signal is output in Pr. 1370 "Detection time for PID limiting operation".
- Set Pr. 554 to select the operation when the FUP/FDN or Y48 signal is output, and the operation when the sleep function is activated.

Pr. 554 setting	Inverter operation		
	At FUP signal, FDN signal output ①	At Y48 signal output ①	At SLEEP operation start
0 (Initial value)	Signal output only	Signal output only	Coasts to stop
1	Signal output + output shutoff (E.PID) ②		
2	Signal output only	Signal output + output shutoff (E.PID) ②	
3	Signal output + output shutoff (E.PID) ②		
4	Signal output + deceleration stop (E.PID) ③	Signal output only	
5	Signal output + deceleration stop (restart) ④		
6	Signal output + deceleration stop (E.PID) ③	Signal output + output shutoff (E.PID) ②	
7	Signal output + deceleration stop (restart) ④		
10	Signal output only	Signal output only	Deceleration stop
11	Signal output + output shutoff (E.PID) ②		
12	Signal output only	Signal output + output shutoff (E.PID) ②	
13	Signal output + output shutoff (E.PID) ②		
14	Signal output + deceleration stop (E.PID) ③	Signal output only	
15	Signal output + deceleration stop (restart) ④		
16	Signal output + deceleration stop (E.PID) ③	Signal output + output shutoff (E.PID) ②	
17	Signal output + deceleration stop (restart) ④		

Tab. 5-174: Stop action at SLEEP function

- ① When each of Pr. 131, Pr. 132 and Pr. 553 corresponding to each of the FUP, FDN and Y48 signals is set to "9999" (function not activated), signal output and protective function are disabled.
- ② At the same time with the signal output, the protective function (E.PID) is activated.
- ③ At the same time with the signal output, deceleration is performed using the normal deceleration time. After the deceleration stop, the protective function (E.PID) is activated.
- ④ At the same time with the signal output, deceleration is performed using the normal deceleration time. When the measured value returns to normal, operation can be restarted.

● Example chart

Protective function (E.PID) activation at the same time with the signal output (Pr. 554 = "1, 3, 11, or 13") / Protective function activation after the deceleration stop (Pr. 554 = "4, 6, 14, or 16") (reverse action)

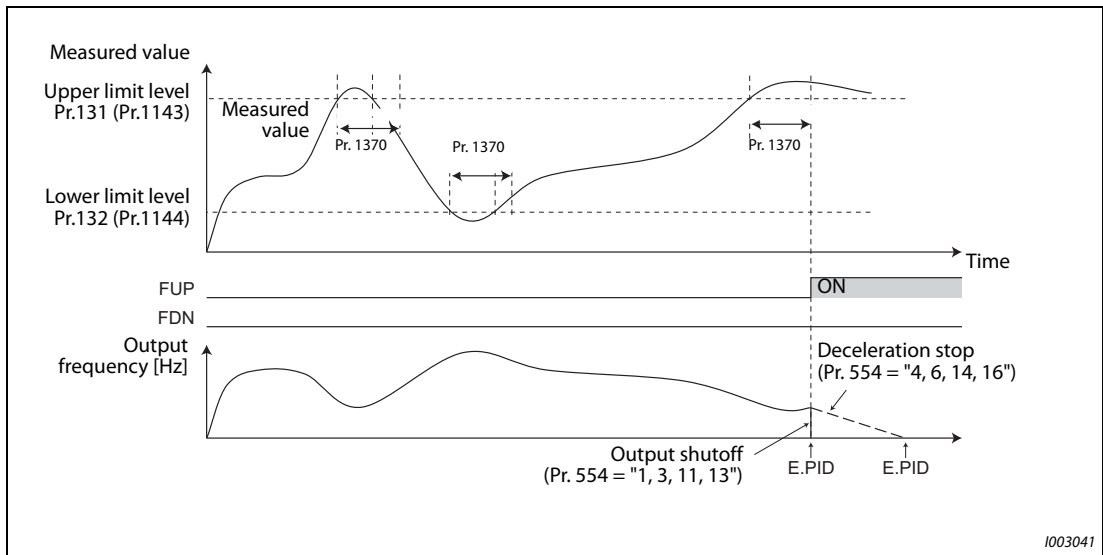


Fig. 5-169: Example chart of protective function activation

● Example chart:

Deceleration stop (restart) at the signal output (Pr. 554 = "5, 7, 15, or 17") (reverse action)

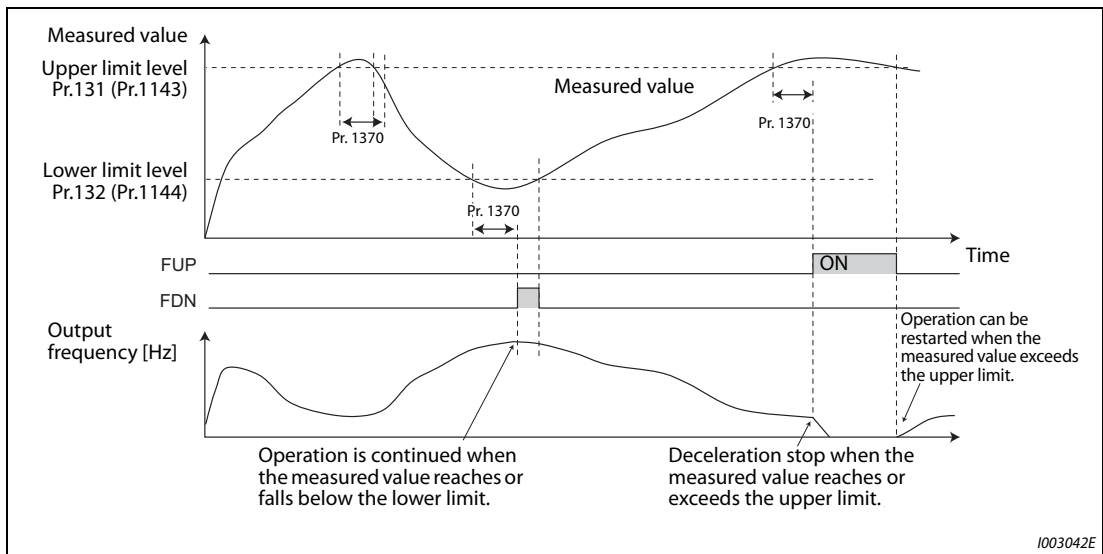


Fig. 5-170: Example chart of deceleration stop (restart)

PID output suspension function (SLEEP function) (SLEEP signal, Pr. 575 to Pr. 577)

- When a status where the output frequency after PID calculation is less than Pr. 576 "Output interruption detection level" has continued for the time set in Pr. 575 "Output interruption detection time" or longer, inverter running is suspended. This allows the amount of energy consumed in the inefficient low-speed range to be reduced.
- When the deviation (for instance, the set point - measured value) reaches the PID output shutoff release level (Pr. 577 setting value -1000%) while the PID output suspension function is activated, the PID output suspension function is released, and PID control operation is automatically restarted.
- Whether to allow motor to coast to a stop or perform a deceleration stop when SLEEP operation is started can be selected using Pr. 554.
- While the PID output suspension function is activated, the PID output interruption signal (SLEEP) is output. During this time, the inverter running signal (RUN) turns OFF and the During PID control activated signal (PID) turns ON.
- For the terminal used for the SLEEP signal, set "70 (positive logic)" or "170 (negative logic)" in any of Pr. 190 to Pr. 196 (output terminal function selection).

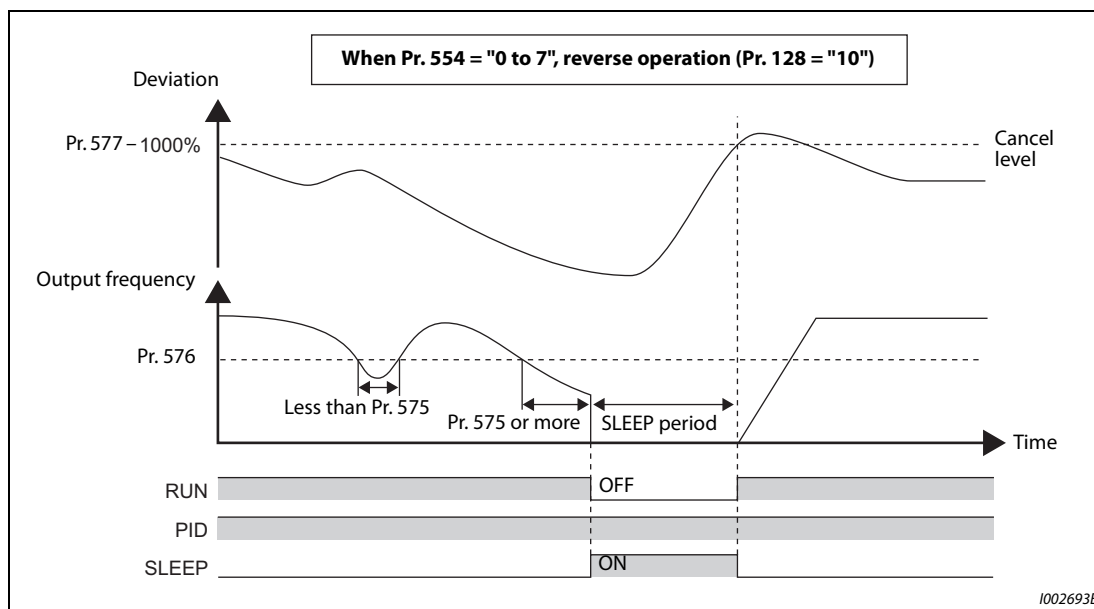


Fig. 5-171: Output interruption (SLEEP function)

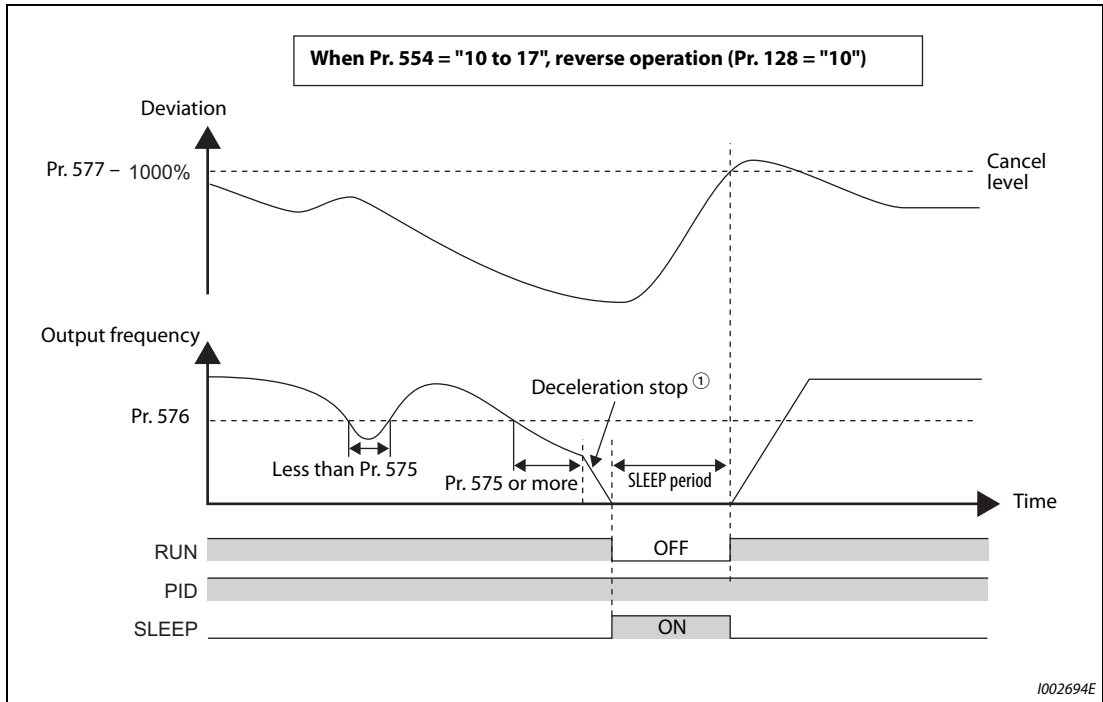


Fig. 5-172: Output interruption (SLEEP function)

① When the PID output shutoff release level is reached during a deceleration stop, output shutoff is released, operation is re-accelerated and PID control is continued. During deceleration Pr. 576 "Output interruption detection level" is invalid.

NOTES

- ▮ The stirring function during the PID sleep prevents clogging of the pump while the SLEEP function is activated. (Refer to page 5-404.)
- ▮ The PID sleep boost function maintains the sleep state for a long period of time. (Refer to page 5-404.)

Integral stop selection at limited frequency (Pr. 1015)

The operation for the integral term can be selected when the frequency is restricted by the upper/lower limit, or the manipulated amount is limited to ±100% during PID control.

The operation during output shutoff can be selected for the integral term using the PID output suspension function (SLEEP function).

Pr. 1015 setting	Operation at limited frequency	Operation during output interruption
0 (initial value)	Integral stop	Integral clear
1	Integral continuation	Integral clear
10	Integral stop	Integral stop
11	Integral continuation	Integral stop

Tab. 5-175: Settings of Pr. 1015

PID monitor function

- This function displays the PID control set point, measured value and deviation on the operation panel, and can output these from the terminals FM, AM and CA.
- An integral value indicating a negative % can be displayed on the deviation monitor. 0% is displayed as 1000. (These values cannot be output on the deviation monitor from terminals FM and CA.)
- Set the following values to Pr. 52 "Operation panel main monitor selection", Pr. 774 to Pr. 776 (Operation panel monitor selection), Pr. 992 "Operation panel setting dial push monitor selection", Pr. 54 "FM/CA terminal function selection" and Pr. 158 "AM terminal function selection" for each monitor.

Parameter settings	Monitor description	Minimum increment	Monitor range			Remarks
			Terminal FM/CA	Terminal AM	Operation panel	
52	PID set point	0.1%	0 to 100% ①			"0" is displayed at all times when PID control is based in deviation input.
92	Second PID set point					
53	PID measured value	0.1%	0 to 100% ①			
93	Second PID measured value					
67	PID measured value 2	0.1%	0 to 100% ①			Displays PID measured value even if PID control operating conditions are not satisfied while the PID control is enabled. "0" is displayed at all times when PID control is based in deviation input.
95	Second PID measured value 2					
54	PID deviation	0.1%	Setting not available	-100% to 100% ① ②	900% to 1100% or -100% to 100% ①	Using Pr. 290 "Monitor negative output selection", minus values can be output to the terminal AM and displayed on the operation panel. Even if minus display is enabled, the display range is 900% to 1100% in monitors on the operation panel. (0% is offset and displayed as 1000%.)
94	Second PID deviation					
91	PID manipulated variable	0.1%	Setting not available	-100% to 100% ②	900% to 1100% or -100% to 100%	
96	Second PID manipulated variable					

Tab. 5-176: PID monitor function

- ① When C42 (Pr. 934) and C44 (Pr. 935) are set, the minimum increment changes from unit % to no unit, and the monitor range can be changed. (Refer to page 5-381.)
- ② When the minus value display is set disabled using Pr. 290, the terminal AM output becomes "0".

Adjustment procedure

Enable PID control	When Pr. 128 ≠ "0", PID control is enabled. Set the set point, measured value and deviation input methods at Pr. 128, Pr. 609 and Pr. 610.
Setting the parameter	Adjust the PID control parameters of Pr. 127, Pr. 129 to Pr. 134, Pr. 553, Pr. 554, Pr. 575 to Pr. 577.
PID gain tuning	Pr. 129, Pr. 130 and Pr. 134 are adjusted automatically by PID gain tuning. (Refer to page 5-373.)
Terminal setting	Set the I/O terminals for PID control. (Pr. 178 to Pr. 189 (input terminal function selection), Pr. 190 to Pr. 196 (output terminal function selection))
Turn the X14 signal ON	When the X14 signal is assigned to the input terminal, PID control is enabled by the X14 signal turning ON.
Start	

Calibration example

Adjust room temperature to 25 °C by PID control using a detector that outputs 4 mA at 0 °C and 20 mA at 50 °C.)

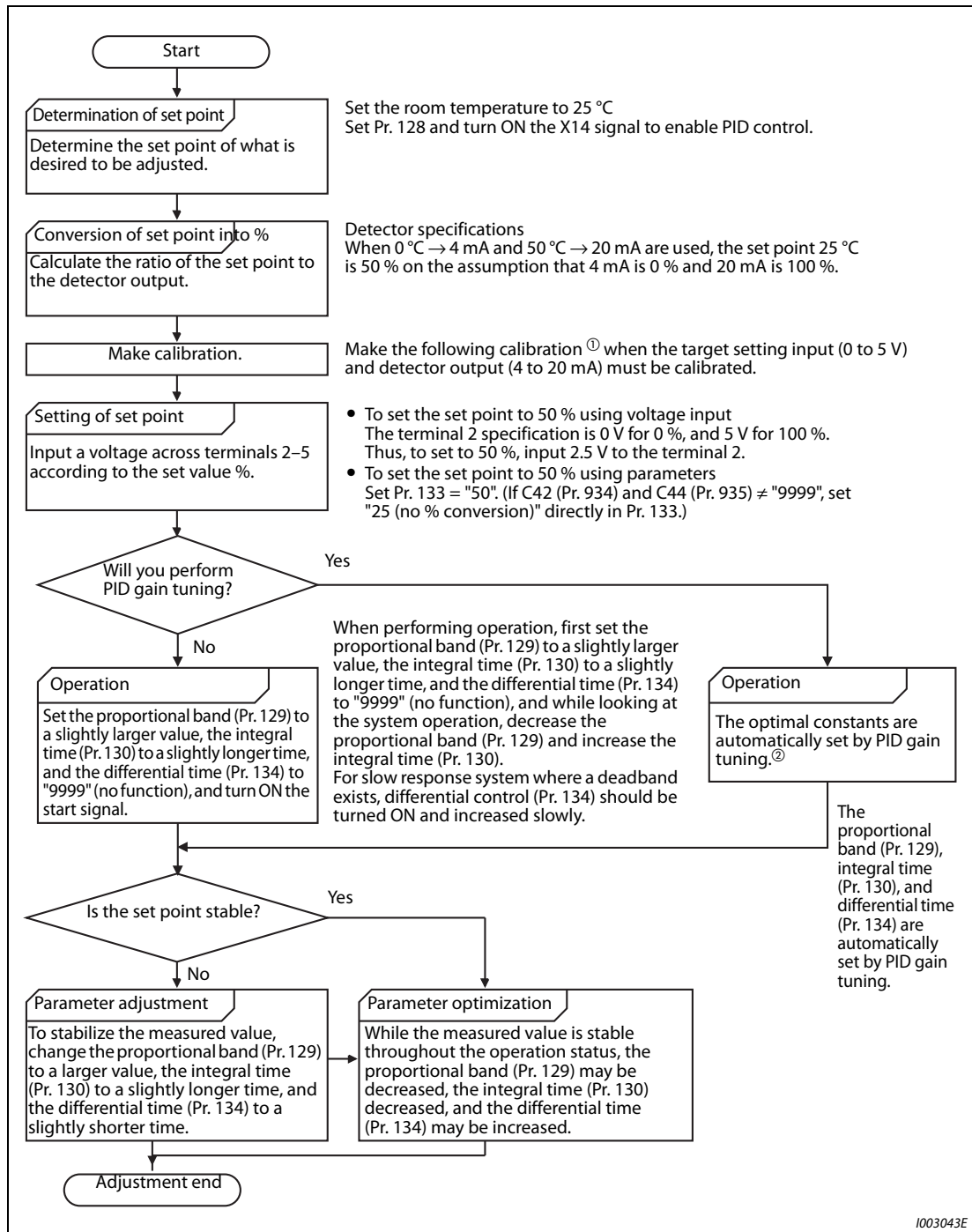


Fig. 5-173: Calibration example

① When calibration is required

Calibrate detector output and set point input by Pr. 125, C2 (Pr. 902) to C4 (Pr. 903) (terminal 2) or Pr. 126, C5 (Pr. 904) to C7 (Pr. 905) (terminal 4).

When both C42 (Pr. 934) and C44 (Pr. 935) are other than "9999", calibrate the detector output and set point input by Pr. 934 and Pr. 935 (terminal 4).

(For the details, refer to page 5-266.)

Make calibration in the PU operation mode during an inverter stop.

② For the PID gain tuning, refer to page 5-373.

- Calibrating set point input

Example ▾

To enter the set point on terminal 2

- ① Apply the input (for example, 0 V) of set point setting 0% across terminals 2 and 5.
- ② Using C2 (Pr. 902), enter the frequency (for example, 0 Hz) to be output by the inverter when the deviation is 0%.
- ③ Using C3 (Pr. 902), set the voltage value at 0%.
- ④ Apply the input (for example, 5 V) of set point setting 100% across terminals 2 and 5.
- ⑤ Using Pr. 125, enter the frequency (for example, 60 Hz) to be output by the inverter when the deviation is 100%.
- ⑥ Using C4 (Pr. 903), set the voltage value at 100%.

△

NOTE

When the set point is set at Pr. 133, the setting frequency of C2 (Pr. 902) is equivalent to 0% and the setting frequency of Pr. 125 (Pr. 903) is equivalent to 100%.

- Calibrating measured value input

- ① Apply the input (for example, 4 mA) of measured value 0% across terminals 4 and 5.
- ② Perform calibration by C6 (Pr. 904).
- ③ Apply the input (for example, 20 mA) of measured value 100% across terminals 4 and 5.
- ④ Perform calibration by C7 (Pr. 905).

NOTES

Set the frequencies set at C5 (Pr. 904) and Pr. 126 to each of the same values set at C2 (Pr. 902) and Pr. 125.

The display unit for analog input can be changed from "%" to "V" or "mA". (Refer to page 5-269.)

- The figure below shows the results of having performed the calibration above.

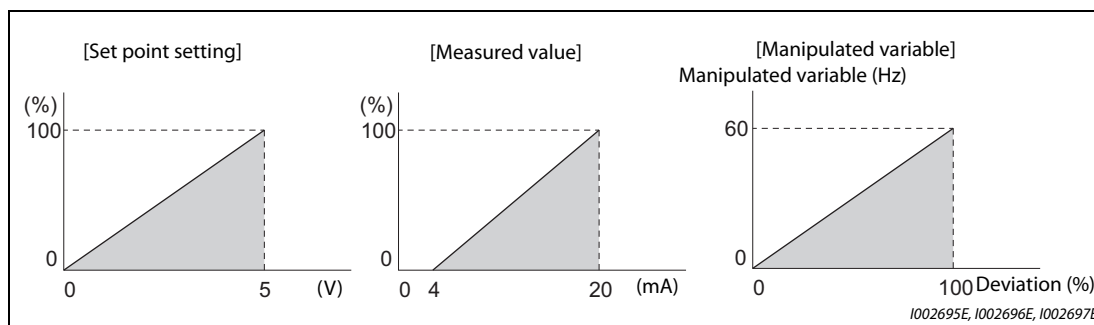


Fig. 5-174: Input calibration

Setting multiple PID functions

- When the second PID function is set, two sets of PID functions can be switched for use. The PID setting is selected as shown in the table below.

Pr.128 setting (First PID setting)	Pr. 753 setting (Second PID setting)	Pr.155 setting ①	RT signal	PID setting applied to the output frequency
"0" or not applied to the frequency	"0" or not applied to the frequency	—	—	Control other than PID control
"0" or not applied to the frequency	Applied to the frequency	—	—	Second PID setting
Applied to the frequency	"0" or not applied to the frequency	—	—	First PID setting
Applied to the frequency	Applied to the frequency	0	OFF	First PID setting
			ON	Second PID setting
		10	—	First PID setting

Tab. 5-177: Selection of PID settings

- ① While Pr. 155 = "0", the second function is enabled immediately after RT signal turns ON. While Pr. 155 = "10", the second function is enabled only during constant speed operation when RT signal turns ON. (Refer to page 5-291 for the details.)

- The second PID function parameters and signals function in the same way as the following parameters and signals of the first PID function. Refer to the first PID function when setting the second PID functions.

Classification	First PID function parameters		Second PID function parameters	
	Pr.	Name	Pr.	Name
Parameter	127	PID control automatic switchover frequency	754	Second PID control automatic switchover frequency
	128	PID action selection	753	Second PID action selection
	129	PID proportional band	756	Second PID proportional band
	130	PID integral time	757	Second PID integral time
	131	PID upper limit	1143	Second PID upper limit
	132	PID lower limit	1144	Second PID lower limit
	133	PID action set point	755	Second PID action set point
	134	PID differential time	758	Second PID differential time
	553	PID deviation limit	1145	Second PID deviation limit
	554	PID signal operation selection	1146	Second PID signal operation selection
	575	Output interruption detection time	1147	Second output interruption detection time
	576	Output interruption detection level	1148	Second output interruption detection level
	577	Output interruption cancel level	1149	Second output interruption cancel level
	609	PID set point/deviation input selection	1140	Second PID set point/deviation input selection
610	PID measured value input selection	1141	Second PID measured value input selection	

Tab. 5-178: Parameters for setting multiple PID functions

Classification	First PID function parameters		Second PID function parameters	
	Signal	Name	Signal	Name
Input signal	X14	PID control valid terminal	X80	Second PID control valid terminal
	X64	During retry	X79	Second PID forward/reverse action switchover
	X72	PID P control switchover	X73	Second PID P control switchover
Output signal	FUP	PID upper limit	FUP2	Second PID upper limit
	FDN	PID lower limit	FDN2	Second PID lower limit
	RL	PID forward/reverse rotation output	RL2	Second PID forward/reverse rotation output
	PID	During PID control activated	PID2	Second During PID control activated
	SLEEP	PID output interruption	SLEEP2	During second PID output shutoff
	Y48	PID deviation limit	Y205	Second PID deviation limit

Tab. 5-179: I/O signals for setting multiple PID functions

NOTES

Even if the X14 signal is ON, PID control is stopped and multi-speed or JOG operation is performed when the RH, RM, RL, or REX signal (multi-speed operation) or JOG signal (JOG operation) is input.

PID control is invalid under the following settings.
Pr. 79 "Operation mode selection" = "6" (Switchover mode)

Note that input to the terminal 1 is added to the terminals 2 and 4 inputs. For example when Pr. 128 = "20 or 21", the terminal 1 input is considered as a set point and added to the set point of the terminal 2.

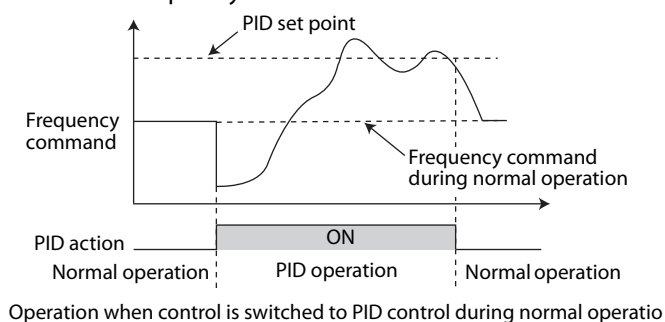
To use terminal 4 and 1 inputs in PID control, set "0" (initial value) to Pr. 858 "Terminal 4 function assignment" and Pr. 868 "Terminal 1 function assignment". When a value other than "0", PID control is invalid.

Changing the terminal assignment using Pr. 178 to Pr. 189 or Pr. 190 to Pr. 196 may affect other functions. Set parameters after confirming the function of each terminal.

When PID control is selected, the minimum frequency becomes the frequency of Pr. 902 and the maximum frequency becomes the frequency of Pr. 903.
(The Pr. 1 "Maximum frequency" and Pr. 2 "Minimum frequency" settings also are valid.)

During PID operation, the remote operation function is invalid.

When control is switched to PID control during normal operation, the frequency during that operation is not carried over, and the value resulting from PID calculation referenced to 0 Hz becomes the command frequency.



Parameters referred to			
Pr. 59	Remote function selection	=>	page 5-111
Pr. 73	Analog input selection	=>	page 5-255
Pr. 79	Operation mode selection	=>	page 5-119
Pr. 178 to Pr. 189	(input terminal function selection)	=>	page 5-285
Pr. 190 to Pr. 196	(output terminal function selection)	=>	page 5-231
Pr. 290	Monitor negative output selection	=>	page 5-211
C2 (Pr. 902) to C7 (Pr. 905)	Frequency setting voltage (current) bias/gain	=>	page 5-266

5.11.6 PID gain tuning

Changing the PID control manipulated amount and measuring the PID control response enable automatic setting of the constant optimal for PID control.

For tuning, use the step response method or the limit cycle method.

Pr.	Name	Initial value	Setting range	Description
1211 A690	PID gain tuning timeout time	100 s	1 to 9999 s	Set the time after the PID gain tuning starts until a timeout error occurs.
1212 A691	Step manipulated amount	1000%	900 to 1100%	Set the step manipulated amount when using the step response method to perform the PID gain tuning.
1213 A692	Step response sampling cycle	1 s	0.01 to 600 s	Set the cycle for sampling of measurement values when using the step response method to perform the PID gain tuning.
1214 A693	Timeout time after the maximum slope	10 s	1 to 9999 s	Set the time after the measurement of the maximum slope until the completion of the tuning when using the step response method to perform the PID gain tuning.
1215 A694	Limit cycle output upper limit	1100%	900 to 1100%	Set the upper limit value of the two-position output when using the limit cycle method to perform the PID gain tuning.
1216 A695	Limit cycle output lower limit	1000%	900 to 1100%	Set the lower limit value of the two-position output when using the limit cycle method to perform the PID gain tuning.
1217 A696	Limit cycle hysteresis	1%	0.1 to 10%	Set the hysteresis of the set point when using the limit cycle method to perform the PID gain tuning.
1218 A697	PID gain tuning setting	0	0, 100 to 102, 111, 112, 121, 122, 200 to 202, 211, 212, 221, 222	Select the target loop, method, and control adjustment method for the PID gain tuning.
1219 A698	PID gain tuning start/status	0	0	PID gain tuning function disabled
			1	PID gain tuning start
			2	During PID gain tuning (read only)
			8	PID gain tuning forced end
			9, 90 to 96	Tuning error (read only)

Step response method

- In the step response method, the manipulated amount is changed step by step for the real system. From the change in the measured values, the maximum slope (R) and the equivalent waste time (L) are calculated to determine each constant.

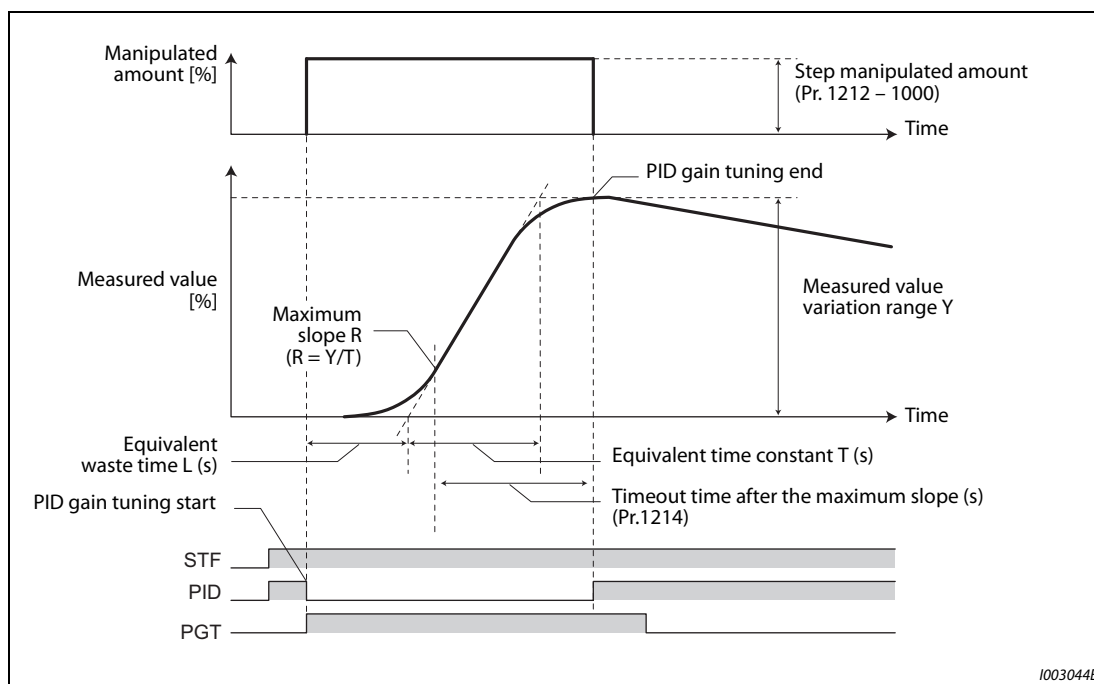


Fig. 5-175: Timing diagram of step response method

- The step manipulated amount (Pr. 1212 – 1000) is added to the present manipulated amount.
- The measured value is taken for every sampling cycle of step response (Pr. 1213). From the variation between the measured values (Y) and the time (t), the maximum slope (R) is calculated.
- The measurement ends when the timeout time after the maximum slope (Pr.1214) elapsed after the maximum slope is obtained.
- After the integral term is cleared, PID control is performed with the constant to which the change has been applied (the constant used before PID gain tuning when a fault occurs).

Limit cycle method

- In the limit cycle method, the two-position ON/OFF operation is performed three times for output of the manipulated amount for the real system. From the vibration waveform data of the measured values, the vibration amplitude (Xc) and the vibration cycle (Tc) are measured. Based on the measured values, each constant is determined.
- In the limit cycle method, less influence of the noise of the measured values is given as compared in the step response method, and a stable tuning result can be obtained.

Example ▽

Measured value ≤ set point (reverse action)

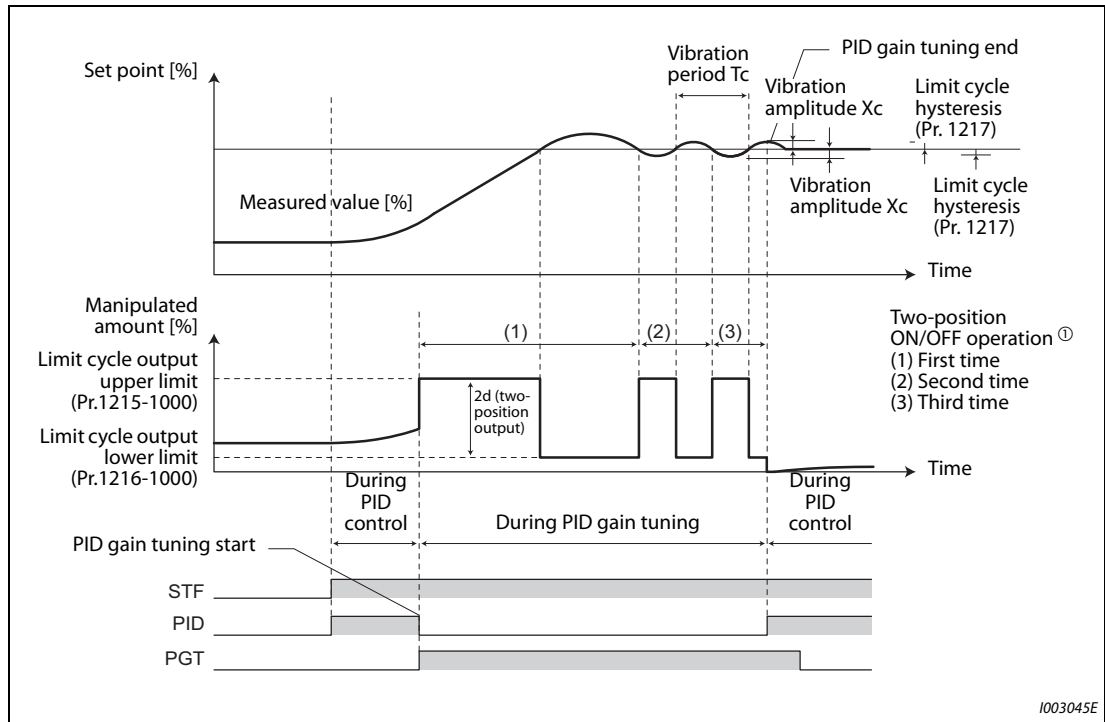


Fig. 5-176: Timing diagram of the example

① Details of the two-position ON/OFF operation

PID control operation	Initial output of the manipulated amount	Two-position ON/OFF operation
Reverse action	When measured value ≤ set point Manipulated amount = Upper limit of the output (Pr.1215 - 1000)	Using measured value ≥ set point + hysteresis (Pr.1217) Manipulated amount = Lower limit of the output (Pr. 1216 - 1000)
	When measured value > set point Manipulated amount = Lower limit of the output (Pr.1216 - 1000)	Using measured value ≤ set point - hysteresis (Pr.1217) Manipulated amount = Upper limit of the output (Pr.1215 - 1000)
Forward action	When measured value ≤ set point Manipulated amount = Lower limit of the output (Pr.1216 - 1000)	Using measured value ≥ set point + hysteresis (Pr.1217) Manipulated amount = Upper limit of the output (Pr.1215 - 1000)
	When measured value > set point Manipulated amount = Upper limit of the output (Pr.1215 - 1000)	Using measured value ≤ set point - hysteresis (Pr.1217) Manipulated amount = Lower limit of the output (Pr.1216 - 1000)

Tab. 5-180: Details of the two-position ON/OFF operation

- The manipulated amount is output at the limit cycle output upper limit (Pr. 1215 - 1000). (When measured value > set point, the manipulated amount is once output at the limit cycle lower limit (Pr. 1216 - 1000), and then after set point > measured value is achieved, the manipulated amount is output at the limit cycle output upper limit (Pr. 1215 - 1000).)
- The two-position ON/OFF operation is repeated three times. From the waveform data of the values measured for output of the second and third two-position operation, the vibration amplitude (Xc) and the vibration cycle (Tc) are measured.

- From the vibration amplitude (X_c) and the vibration cycle (T_c), the threshold sensitivity (K_u) and the threshold cycle (T_u) are calculated.
- Each constant is calculated using a formula depending on the Pr. 1218 setting, and PID gain tuning is finished.
- After the integral term is cleared, PID control is performed with the constant to which the change has been applied (the constant used before PID gain tuning when a fault occurs).

△

NOTES

Confirm that the measured values are stable when performing PID gain tuning with the step response method. When the measured values are unstable, the tuning result may not be accurate.

Accurate measurement of the maximum slope may not be achieved if the Pr. 1213 setting is small in the step response method.

PID gain tuning operation setting (Pr. 1218)

Set the PID gain tuning operation in this parameter. The digit in the hundreds place represents the target PID loop. The digit in the tens place represents the tuning method. The digit in the ones place represents the control adjustment method.

Pr.1218 setting value	Target PID	Tuning method	Control adjustment method	
0 (initial value)	PID gain tuning function disabled			
100	First PID	Step response method	P control adjustment	
101			PI control adjustment	
102			PID control adjustment	
111		Limit cycle method (set-point control)	PI control adjustment	
112			PID control adjustment	
121		Limit cycle method (follow-up control)	PI control adjustment	
122			PID control adjustment	
200		Second PID	Step response method	P control adjustment
201				PI control adjustment
202	PID control adjustment			
211	Limit cycle method (set-point control)		PI control adjustment	
212			PID control adjustment	
221	Limit cycle method (follow-up control)		PI control adjustment	
222			PID control adjustment	

Tab. 5-181: Settings of Pr. 1218

Parameter setting for each PID gain tuning method

Set the following parameters according to the selected tuning method (step response method / limit cycle method).

Pr.	Tuning method		Item	Description
	Step response method	Limit cycle method		
128 (753)	○	○	PID action selection	Select the PID action.
1218	○	○	PID gain tuning setting	Select the PID gain tuning operation.
1211	○	○	PID gain tuning timeout time	Set the timeout time for PID gain tuning. A timeout error occurs when the elapsed time exceeds the setting.
1212	○	—	Step manipulated amount	Set the step manipulated amount for PID gain tuning.
1213	○	—	Step response sampling cycle	Set the cycle for sampling of measurement values for PID gain tuning.
1214	○	—	Timeout time after the maximum slope	Set the timeout time after the maximum slope measurement for PID gain tuning. The measurement for tuning is completed when the elapsed time exceeds the setting.
1215	—	○	Limit cycle output upper limit	Set the upper limit value of the two-position output for PID gain tuning.
1216	—	○	Limit cycle output lower limit	Set the lower limit value of the two-position output for PID gain tuning. (When the setting exceeds the Pr.1215 setting, a tuning error occurs.)
1217	—	○	Limit cycle hysteresis	Set the hysteresis of the set point for PID gain tuning.

○: Parameter to set

Tab. 5-182: Parameter setting for each PID gain tuning method

Execution of PID gain tuning (Pr. 1219, PGT signal)

- While the PID gain tuning function is enabled (Pr.1218 ≠ "0"), PID gain tuning is started when any of the following operations is performed during PID control.
 - Turning ON the PID gain tuning start/forced end signal (PGT).
 - Setting Pr.1219 "PID gain tuning start/status" = "1".
 - Selecting the PID gain tuning start (1.RUN) in the function menu on the operation panel (FR-DU08).

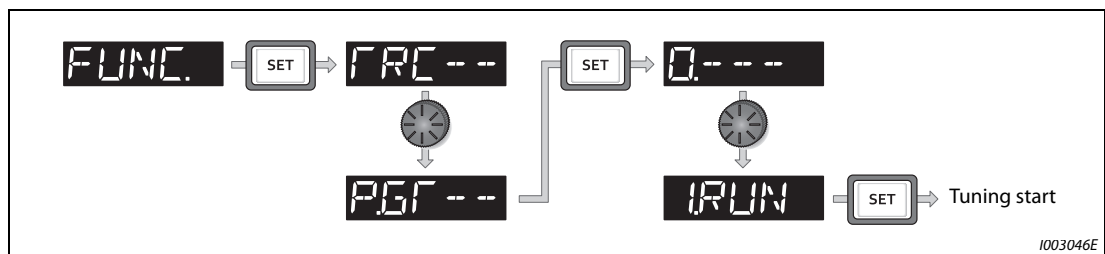


Fig. 5-177: Selection of PID gain tuning start

- To use the PGT signal, set "81" in any of Pr. 178 to Pr. 189 (input terminal function selection) to assign the function to an input terminal.

- The PID gain tuning status can be checked with the read value of Pr. 1219 or the PID gain tuning status monitor. The PID gain tuning status monitor is displayed instead of the output voltage monitor.

Status monitor	PID gain tuning status
2	During tuning
3	Tuning completed
8	Tuning forced end

Tab. 5-183: PID gain tuning status monitor

- When PID gain tuning is completed, the following parameters are automatically set.

Pr.	Name	Step response method			Limit cycle method	
		P control	PI control	PID control	PI control	PID control
129 (756)	PID	○	○	○	○	○
130 (757)	PID integral	—	○	○	○	○
134 (758)	PID differential time	—	—	○	—	○

○: The calculation result is applied. —: "9999" is set.

Tab. 5-184: Automatically set parameters after completion of PID gain tuning

- To forcibly terminate the tuning during PID gain tuning, perform any of the following operations.
 - Turning OFF the PID gain tuning start/forced end signal (PGT).
 - Setting Pr. 1219 "PID gain tuning start/status" = "8".
 - Selecting the PID gain tuning forced end (8.END) in the function menu on the operation panel (FR-DU08).
 - Turn the power supply OFF, reset the inverter, or turn OFF the start command.

NOTES

By PID gain tuning, the settings of the PID constant parameters (Pr. 129, Pr. 130, Pr. 134, Pr. 756 to Pr. 758) are automatically changed. Before performing PID gain tuning, record the PID constant parameter settings before tuning as required.

PID gain tuning also requires setting of the PID upper limit (Pr. 131 or Pr. 1143), PID lower limit (Pr. 132 or Pr. 1144), PID deviation limit (Pr. 553 or Pr. 1145).

Changing the terminal assignment with Pr. 178 to Pr. 189 may affect other functions. Set parameters after confirming the function of each terminal.

By PID gain tuning, the amount of operation is changed considerably. In some applications such as a winding machine, materials may be affected.

PID gain tuning error

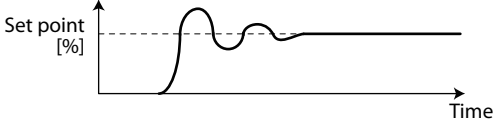
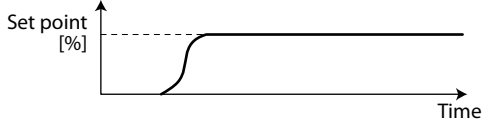
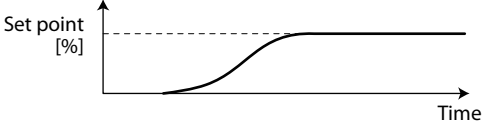
When the read value of Pr. 1219 or the PID gain tuning status monitor display is "9, 90 to 96", tuning has not been properly completed due to a tuning error. Remove the cause of the tuning error, and perform tuning again.

Monitor value	Error definition	Cause of tuning error	Corrective action for error
9	Termination of tuning due to activation of an inverter protective function	An inverter protective function is activated.	Remedy the cause. (Refer to page 6-9.)
90	Input upper limit error	The measured value is higher than the PID upper limit (Pr. 131 or Pr. 1143).	Change the Pr. 131 or Pr. 1143 setting as appropriate.
91	Input lower limit error	The measured value is lower than the PID lower limit (Pr. 132 or Pr. 1144).	Change the Pr. 132 or Pr. 1144 setting as appropriate.
92	Deviation limit error	The deviation exceeded the PID deviation limit (Pr. 553 or Pr. 1145).	Change the Pr. 553 or Pr. 1145 setting as appropriate.
93	Timeout error	Tuning is not terminated within the time set in Pr. 1211 after the start of PID gain tuning.	Change the Pr. 1211 setting as appropriate.
94	Calculation error	The tuning calculation is inconsistent.	In the step response method, change the Pr. 1212 and Pr. 1213 settings as appropriate. In the limit cycle method, change the Pr. 1217 setting as appropriate.
95	Setting error	<ul style="list-style-type: none"> • PID control is disabled during tuning. • The PID control setting has been changed during tuning. • In the limit cycle method, the Pr. 1215 setting is equal to or lower than the Pr. 1216 setting. 	<ul style="list-style-type: none"> • Enable PID control. • Change the Pr. 1215 and Pr. 1216 settings as appropriate.
96	PID mode error	<ul style="list-style-type: none"> • PID gain tuning has been started during automatic switchover or pre-charge operation. • A stall prevention or regeneration avoidance operation occurred during PID gain tuning. • A condition for output shutoff by the SLEEP function was satisfied during PID gain tuning. • Frequency fluctuation occurred because of the frequency jump, maximum frequency, or minimum frequency during PID gain tuning. 	Change the setting of each function as appropriate.

Tab. 5-185: Corrective actions for PID gain tuning errors

Fine adjustment after PID gain tuning

If fine adjustment is required after completion of PID gain tuning, adjust the proportional band (Pr. 129 or Pr. 756), integral time (Pr. 130 or Pr. 757), and differential time (Pr. 134 or Pr. 758).

Status of measurement values	Adjustment method
<p>The response is fast, but vibrations are observed.</p> <p>Measured value [%]</p>  <p>Set point [%]</p> <p>Time</p>	<ul style="list-style-type: none">• Increase the proportional band (Pr. 129 or Pr. 756). (Smaller proportional effect)• Increase the integral time (Pr. 130 or Pr. 757). (Smaller integral effect)
<p>Optimal</p> <p>Measured value [%]</p>  <p>Set point [%]</p> <p>Time</p>	—
<p>Response is low</p> <p>Measured value [%]</p>  <p>Set point [%]</p> <p>Time</p>	<ul style="list-style-type: none">• Decrease the proportional band (Pr. 129 or Pr. 756). (Larger proportional effect)• Decrease the integral time (Pr. 130 or Pr. 757). (Larger integral effect)

Tab. 5-186: Adjustment methods after completion of PID gain tuning

NOTE

When the differential operation is used, adjust the differential time (Pr. 134 or Pr. 758) while checking the stability and the response. (Increasing the differential time makes the differential effect larger, and decreasing the differential time makes the differential effect smaller.)

5.11.7 Changing the display increment of numerical values used in PID control

When LCD operation panel (FR-LU08) or the parameter unit (FR-PU07) is used, the display unit of parameters and monitored items related to PID control can be changed to various units.

Pr.	Name	Initial value	Setting range	Description	
759 A600	PID unit selection	0	0 to 43	Change the PID control-related display unit that is displayed on the LCD operation panel (FR-LU08) or the parameter unit (FR-PU07).	
			9999	Without display unit switching	
C42 A630 (934) ①	PID display bias coefficient	9999	0 to 500	Set the coefficient of the bias side (minimum) of measured value input.	
			9999	Displayed in %.	
C43 A631 (934) ①	PID display bias analog value	20%	0 to 300%	Set the converted % of the bias side (minimum) current/voltage of measured value input.	
C44 A632 (935) ①	PID display gain coefficient	9999	0 to 500	Set the coefficient of the gain side (maximum) of measured value input.	
			9999	Displayed in %.	
C45 A633 (935) ①	PID display gain analog value	100%	0 to 300%	Set the converted % of the gain side (maximum) current/voltage of measured value input.	
1136 A670	Second PID display bias coefficient	9999	0 to 500	Refer to C42(934)	Second PID control
			9999		
1137 A671	Second PID display bias analog value	20%	0 to 300%	Refer to C43(934)	
1138 A672	Second PID display gain coefficient	9999	0 to 500	Refer to C44(935)	
			9999		
1139 A673	Second PID display gain analog value	100%	0 to 300%	Refer to C45(935)	
1142 A640	Second PID unit selection	9999	0 to 43, 9999	Refer to Pr. 759	

① The parameter number in parentheses is the one for use with the LCD operation panel and the parameter unit.

Calibration of PID display bias and gain(C42 (Pr. 934) to C45 (Pr. 935))

- When both C42 (Pr. 934) and C44 (Pr. 935) ≠ "9999", the bias and gain values for the set point, measured value and deviation in PID control can be calibrated.
- "Bias"/"gain" function can adjust the relation between PID displayed coefficient and measured value input signal that is externally input. Examples of these measured value input signals are 0 to 5 V DC, 0 to 10 V DC, or 4 to 2 mA DC.
- Set the value that is displayed when the PID measured value (control amount) is 0% to C42 (Pr. 934) and the value that is displayed when the PID measured value (control amount) is 100% to C44 (Pr. 935).

- When both of C42 (Pr. 934) and C44 (Pr. 935) ≠ "9999" and Pr. 133 is set as the set point, the setting of C42 (Pr. 934) is treated as 0%, and C44 (Pr. 935) as 100%.

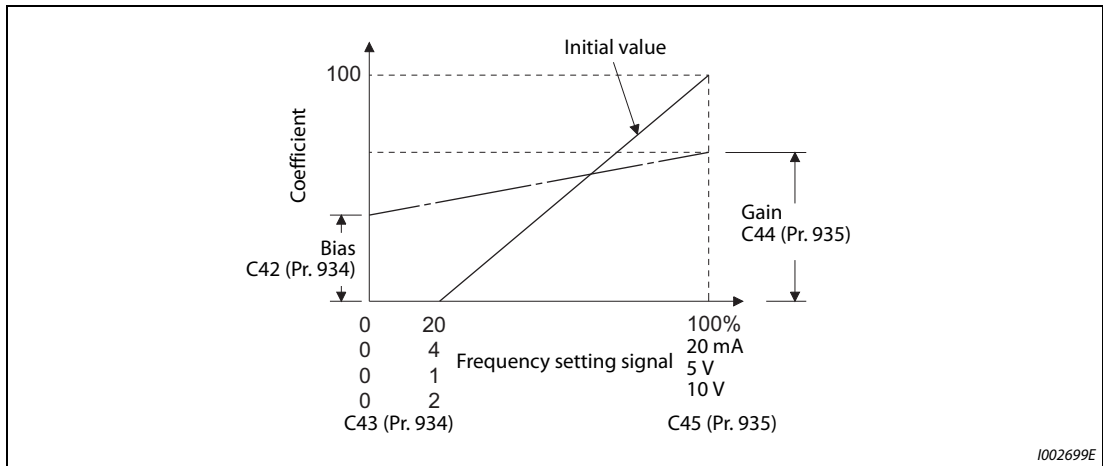


Fig. 5-178: PID bias and gain

- There are three methods to adjust the PID display bias/gain.
 - ① Method to adjust any point by application of a current (voltage) to the measured value input terminal
 - ② Method to adjust any point without application of a current (voltage) to the measured value input terminal
 - ③ Method to adjust only the display coefficient without adjustment of current (voltage)

(Refer to page 5-266 for details on ① to ③), and make the necessary adjustments by considering C7 (Pr. 905) as C45 (Pr. 935) and Pr. 126 as C44 (Pr. 935).

NOTE

Always calibrate the input after changing the voltage/current input specification with Pr. 73 and Pr. 267, and the voltage/current input selection switch.

- Take caution when the following condition is satisfied because the inverter recognizes the deviation value as negative (positive) value even though a positive (negative) deviation is given: Pr. 934 (PID bias coefficient) > Pr. 935 (PID gain coefficient)
 To perform a reverse action, set Pr. 128 "PID action selection" to forward action. Alternatively, to perform a forward action, set Pr. 128 to reverse action.

Pr. 934 < Pr. 935 (normal setting)		Pr. 934 ≥ Pr. 935	
Reverse action	Reverse action setting to Pr. 128	Reverse action	Forward action setting to Pr. 128
Forward action	Forward action setting to Pr. 128	Forward action	Reverse action setting to Pr. 128
PID output shutoff release level	Pr. 577 – 1000	PID output shutoff release level	1000 – Pr. 577

Tab. 5-187: Special conditions for parameter settings

Example ▾

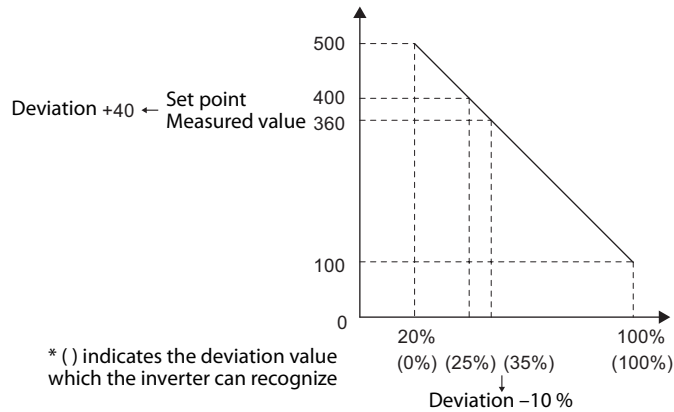
Set the following:

Pr. 934 = "500", 20% (4 mA is applied), Pr. 935 = "100", 100% (20 mA is applied).

When the set point=400 and the measured value = 360, the deviation is +40 (>0), but the inverter recognizes the deviation as -10% (<0). Because of this, operation amount does not increase in the reverse operation setting.

The operation amount increases when the forward operation is set.

To perform PID output shutoff release at deviation of +40 or higher, set Pr. 577 = "960".



△

- The display of the following parameters is changed according to the C42 (Pr. 934), C44 (Pr. 935), Pr. 1136, and Pr. 1138 settings.

Pr.	Name	Pr.	Name
131	PID upper limit	1143	Second PID upper limit
132	PID lower limit	1144	Second PID lower limit
133	PID action set point	755	Second PID action set point
553	PID deviation limit	1145	Second PID deviation limit
577	Output interruption cancel level	1149	Second output interruption cancel level
761	Pre-charge ending level	766	Second pre-charge ending level
763	Pre-charge upper detection level	768	Second pre-charge upper detection level

Tab. 5-188: Influence of C42 (Pr. 934), C44 (Pr. 935), Pr. 1136, and Pr. 1138 on other parameter displays

Changing the PID display coefficient of the LCD operation panel (FR-LU08), parameter unit (FR-PU07) (Pr. 759)

Use Pr. 759 "PID unit selection" to change the unit displayed on FR-LU08 or FR-PU07. For the coefficient set in C42 (Pr. 934) to C44 (Pr. 935), the displayed units can be changed to the following units.

Pr. 759 setting	Displayed unit description	Unit name	Pr. 759 setting	Displayed unit description	Unit name
9999	%	%	22	ftM	Feet per Minute
0	—	Not displayed	23	ftS	Feet per Second
1	K	Kelvin	24	m/M	Meter per Minute
2	C	Degree Celsius	25	m/S	Meter per Second
3	F	Degree Fahrenheit	26	lbH	Pound per Hour
4	PSI	Pound-force per Square Inch	27	lbM	Pound per Minute
5	MPa	Mega Pascal	28	lbS	Pound per Second
6	kPa	Kilo Pascal	29	iWC	Inch Water Column
7	Pa	Pascal	30	iWG	Inch Water Gauge
8	bar	Bar	31	fWG	Feet of Water Gauge
9	mbr	Millibar	32	mWG	Meter of Water Gauge
10	GPH	Gallon per Hour	33	iHg	Inches of Mercury
11	GPM	Gallon per Minute	34	mHg	Millimeters of Mercury
12	GPS	Gallon per Second	35	kgH	Kilograms per Hour
13	L/H	Liter per Hour	36	kgM	Kilograms per Minute
14	L/M	Liter per Minute	37	kgS	Kilograms per Second
15	L/S	Liter per Second	38	ppm	Pulse per Minute
16	CFH	Cubic Feet per Hour	39	pps	Pulse per Second
17	CFM	Cubic Feet per Minute	40	kW	Kilo Watt
18	CFS	Cubic Feet per Second	41	hp	Horse Power
19	CMH	Cubic Meter per Hour	42	Hz	Hertz
20	CMM	Cubic Meter per Minute	43	rpm	Revolutions per Minute
21	CMS	Cubic Meter per Second			

Tab. 5-189: Changing the unit displayed on FR-LU08 or FR-PU07

5.11.8 PID pre-charge function

This function drives the motor at a certain speed before starting PID control. This function is useful for a pump with a long hose. Without this function, PID control would start before the pump is filled with water, and proper control would not be performed.

Pr.	Name	Initial value	Setting range	Description
760 A616	Pre-charge fault selection	0	0	Fault indication with output shutoff immediately after pre-charge fault occurs.
			1	Fault indication with deceleration stop after pre-charge fault occurs.
761 A617	Pre-charge ending level	9999	0 to 100%	Set the measured amount to end the pre-charge operation.
			9999	Without pre-charge ending level
762 A618	Pre-charge ending time	9999	0 to 3600 s	Set the time to end the pre-charge operation.
			9999	Without pre-charge ending time
763 A619	Pre-charge upper detection level	9999	0 to 100%	Set the upper limit for the pre-charged amount. A pre-charge fault occurs when the measured value exceeds the setting during pre-charging.
			9999	Without pre-charge upper limit level
764 A620	Pre-charge time limit	9999	0 to 3600 s	Set the time limit for the pre-charged amount. A pre-charge fault occurs when the pre-charge time exceeds the setting.
			9999	Without pre-charge time limit
1132 A626	Pre-charge change increment amount	9999	0 to 100%	Set the change increment amount per second after the automatic switchover frequency is reached. (for vertical pumps).
			9999	Constant-speed operation after the automatic switchover frequency is reached (for horizontal pumps).
765 A656	Second pre-charge fault selection	0	0, 1	Refer to Pr. 760.
766 A657	Second pre-charge ending level	9999	0 to 100%, 9999	Refer to Pr. 761.
767 A658	Second pre-charge ending time	9999	0 to 3600 s, 9999	Refer to Pr. 762.
768 A659	Second pre-charge upper detection level	9999	0 to 100%, 9999	Refer to Pr. 763.
769 A660	Second pre-charge time limit	9999	0 to 3600 s, 9999	Refer to Pr. 764.
1133 A666	Second pre-charge change increment amount	9999	0 to 100%, 9999	Refer to Pr. 1132.

Set the second pre-charge function.
The second pre-charge function is valid when the RT signal is ON.

Operation selection for the pre-charge function

- To enable the pre-charge function when PID control is enabled, set the pre-charge end conditions at Pr. 761 "Pre-charge ending level" and at Pr. 762 "Pre-charge ending time", or set "77" to Pr. 178 to Pr. 189 (input terminal function selection). When operation is started, the inverter runs at the frequency set to Pr. 127 "PID control automatic switchover frequency" to enter the pre-charge state.
- Pre-charge ends and PID control starts after a pre-charge ending condition is satisfied.
- The pre-charge function is also activated at a start after release of a PID output suspension (SLEEP) state or MRS (output shutoff). The PID output suspension (SLEEP) function is not activated until the started pre-charge operation ends.
- During pre-charge operation, the During pre-charge operation (Y49) signal is output. For the terminal used for Y49 signal output, set "49 (positive logic)" or "149 (negative logic)" in any of Pr. 190 to Pr. 196 (Output terminal function selection) to assign the function.
- The pre-charge function valid/invalid settings and pre-charge ending conditions are as follows:

Pr. 127 setting	Pre-charge ending condition setting			Pre-charge function	Valid pre-charge ending condition ^①		
	Pr. 761 setting	Pr. 762 setting	X77 signal				
9999	—	—	—	Disabled	—		
Other than 9999	9999	9999	Not assigned		Enabled	—	—
			Assigned	—		Time	—
		Other than 9999	Not assigned	—		Time	X77
			Assigned	Result		—	—
	Other than 9999	9999	Not assigned	Result		—	X77
			Assigned	Result		Time	—
		Other than 9999	Not assigned	Result		Time	—
			Assigned	Result		Time	X77

Tab. 5-190: Settings of the pre-charge function

^① When two or more ends conditions are satisfied, the pre-charge operation ends by the first-satisfied condition.

NOTES

During the pre-charge operation, it is regarded as integrated value = estimated value. The motor speed may drop shortly from the automatic switchover frequency depending on the parameter settings.

Parameter changes and switchover to the second PID control are applied immediately. If PID control has not started when the settings were changed, PID control starts with changed settings. (If PID control has already started, these settings do not apply. If the changed settings already satisfies a condition to start PID control, the PID control starts as soon as these are changed.)

The pre-charge also ends when PID control is set to invalid, the start command has been turned OFF, and output has been shut off.

Example of pre-charge operation

- When the measured amount reaches the pre-charge ending level (Pr. 761 "Pre-charge ending level" ≠ "9999")
The pre-charge operation ends when the measured value reaches the Pr. 761 setting or higher, then the PID control is performed.
 - When Pr. 1132 "Pre-charge change increment amount" = "9999" (horizontal pumps)

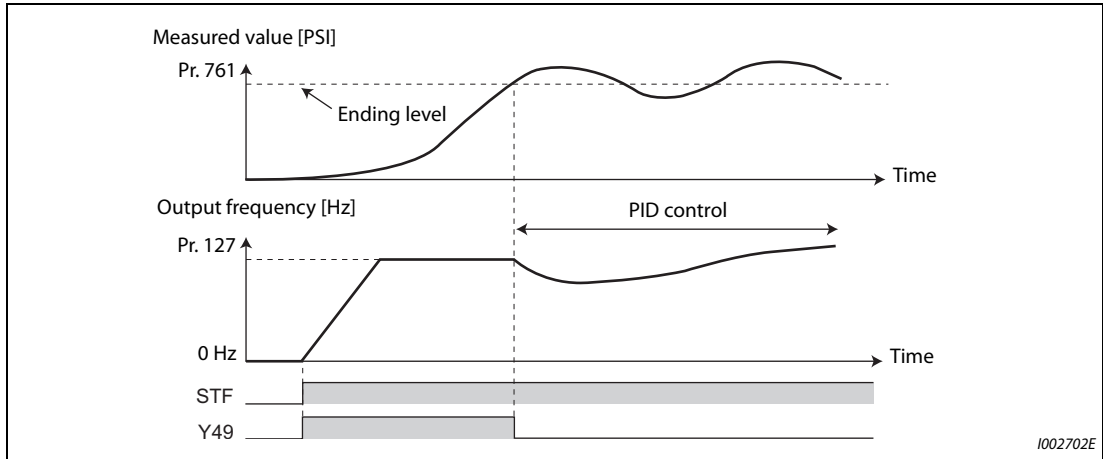


Fig. 5-179: Pre-charge ending level (Pr. 761 ≠ 9999, Pr. 1132 = "9999")

- When Pr. 1132 "Pre-charge change increment amount" ≠ "9999" (vertical pumps)
PID control is performed so that the change increment amount of the set point equals the Pr.1132 setting after the automatic switchover frequency is reached until the pre-charge ending condition is satisfied. (Although PID control is performed after the automatic switchover frequency is reached until the pre-charge ends, the status is regarded as the one during pre-charge.)

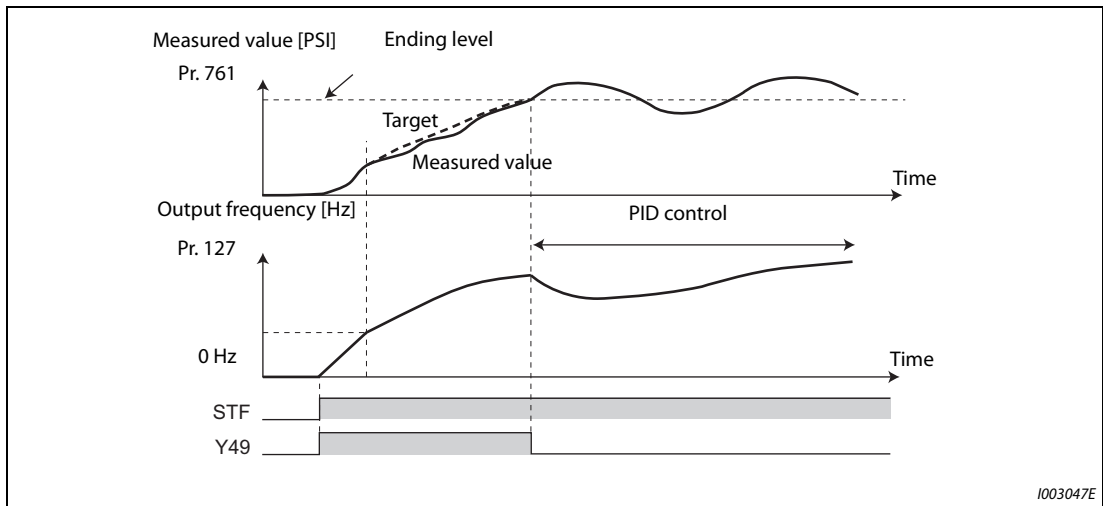


Fig. 5-180: Pre-charge ending level (Pr. 761 ≠ 9999, Pr. 1132 ≠ "9999")

- When the elapsed time reaches the pre-charge ending time (Pr. 762 "Pre-charge ending time" ≠ "9999")
The pre-charge operation ends when the pre-charge time reaches the Pr. 762 setting or higher, then the PID control is performed.

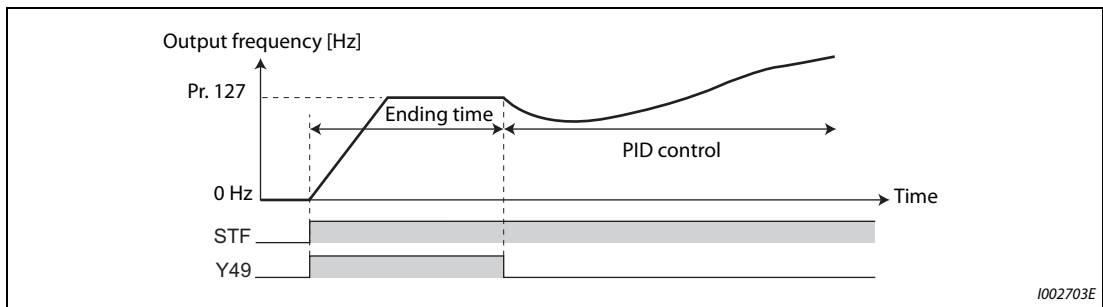


Fig. 5-181: Pre-charge ending time (Pr. 762 ≠ 9999)

- When the signal is input to end the pre-charge operation
When the X77 signal turns ON, the pre-charge operation ends, and the PID control starts. (If a start command is given while the X77 signal is ON, the pre-charge operation is not performed, and PID control starts.)

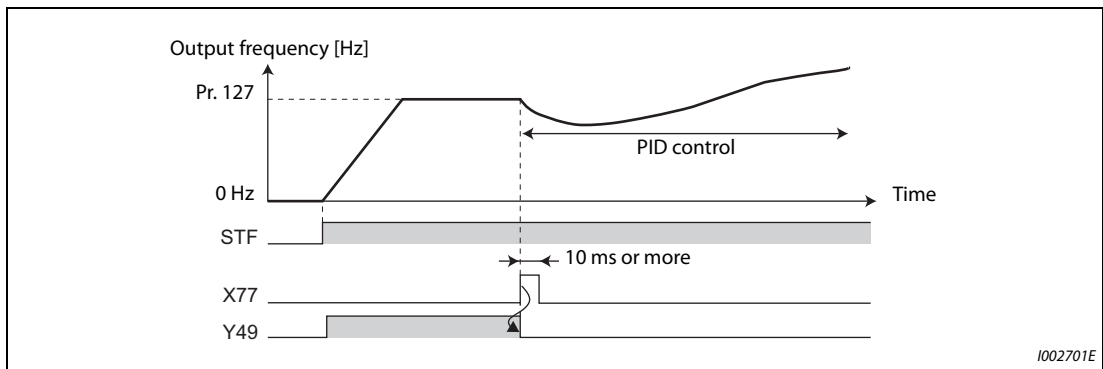


Fig. 5-182: Assignment of signal X77 (Pr. 178 to Pr. 189)

NOTES

- When the PID output suspension (SLEEP) function is in use, and the X77 signal is set to valid after this function is released, set the X77 signal to OFF after checking that the during pre-charge operation signal (Y49) is OFF.
- When the PID output suspension (SLEEP) function is in use, and PID control is to be performed immediately after this function is released, leave the X77 signal ON until PID control ends.
- When the pre-charge operation is valid, the pre-charge operation is performed at the output shut-off cancellation (MRS signal, etc.). (The pre-charge operation is also performed in the case of instantaneous power failure when the automatic restart after instantaneous power failure is valid.)
- When the control method is changed to PID control from a control with higher priority in frequency command (multi-speed setting, Jog operation, etc.), the motor is accelerated/decelerated until its speed reaches the automatic switchover frequency (Pr. 127), and the pre-charge is performed.

Operation setting at pre-charge fault

- The protective function can be activated when limit values are exceeded if the time limit is set at Pr. 764 "Pre-charge time limit" and the measured value limit level is set at Pr. 762 "Pre-charge ending time".
- Whether to shut off output immediately after the protective function is activated or after a deceleration stop can be selected by Pr. 760 "Pre-charge fault selection".
- When the time limit is exceeded, the Pre-charge time over (Y51) signal is output. When the measured value limit level is exceeded, the Pre-charge level over (Y53) signal is output. For the Y51 signal, set "51 (positive logic)" or "151 (negative logic)" to Pr. 190 to Pr. 196 (output terminal function selection), and for the Y53 signal, set "53 (positive logic)" or "153 (negative logic)" in Pr. 190 to Pr. 196 (output terminal function selection) to assign the functions to terminals.

NOTES

For Pr. 764 "Pre-charge time limit", set a value greater than Pr. 762 "Pre-charge ending time".

For Pr. 763 "Pre-charge upper detection level", set a value greater than Pr. 761 "Pre-charge ending level".

- Example of protective function by time limit (Pr. 760 = "0")

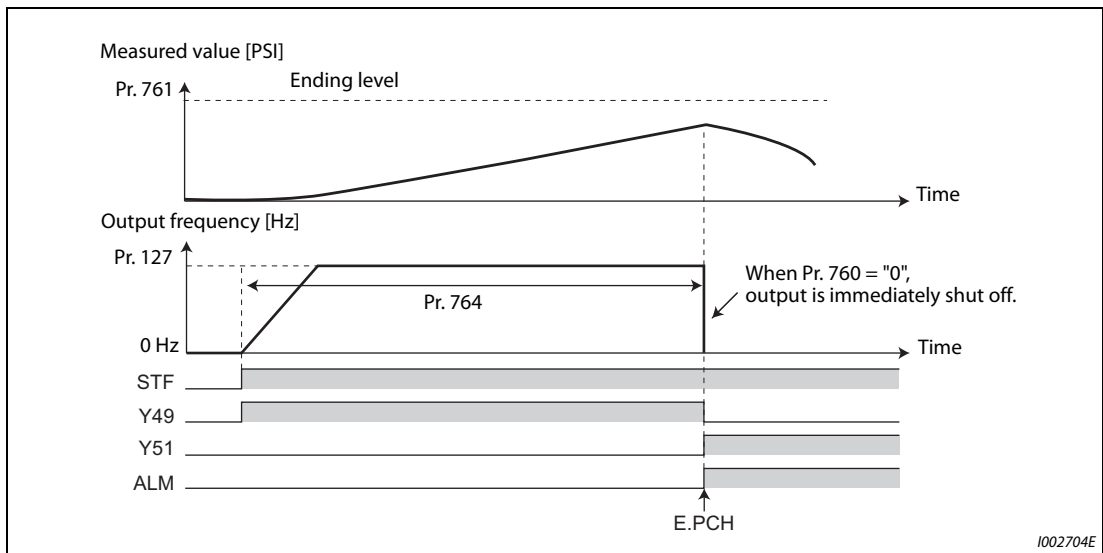


Fig. 5-183: Reaching of pre-charge time limit

- Example of protective function measured value limit (Pr. 760 = "1")

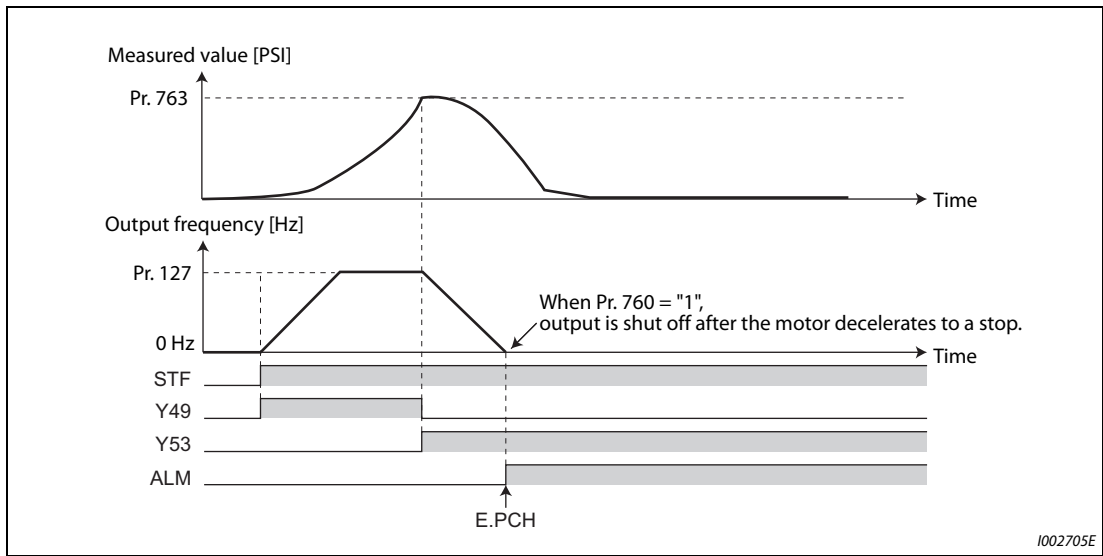


Fig. 5-184: Reaching of pre-charge limit by the measured amount

Setting multiple PID pre-charge functions

- When the second pre-charge function is set, two sets of pre-charge functions can be switched for use. The second pre-charge function is enabled by turning ON the RT signal.
- The second pre-charge function parameters and signals function in the same way as the following parameters and signals of the first pre-charge function. Refer to the first pre-charge function when setting the second pre-charge functions.

Classification	First pre-charge function parameters		Second pre-charge function parameters	
	Pr.	Name	Pr.	Name
Parameter	760	Pre-charge fault selection	765	Second pre-charge fault selection
	761	Pre-charge ending level	766	Second pre-charge ending level
	762	Pre-charge ending time	767	Second pre-charge ending time
	763	Pre-charge upper detection level	768	Second pre-charge upper detection level
	764	Pre-charge time limit	769	Second pre-charge time limit
	1132	Pre-charge change increment amount	1133	Second pre-charge change increment amount

Tab. 5-191: Parameters for setting multiple PID pre-charge functions

Classification	First pre-charge function parameters		Second pre-charge function parameters	
	Signal	Name	Signal	Name
Input signal	X77	Pre-charge end command	X78	Second pre-charge end command
Output signal	Y49	During pre-charge operation	Y50	During second pre-charge operation
	Y51	Pre-charge time over	Y52	Second pre-charge time over
	Y53	Pre-charge level over	Y54	Second pre-charge level over

Tab. 5-192: I/O signals for multiple PID pre-charge functions

NOTES

The second PID pre-charge function is valid also when the first pre-charge function is set to invalid and the second pre-charge function is set.

When "10" (second function enabled only during constant-speed operation) is set to Pr. 155, the second PID function is not selected even if the RT signal turns ON.

5.11.9 Multi-pump function (Advanced PID function)

PID control function can adjust the volume of water, etc. by controlling pumps. When the motor output is insufficient, auxiliary motors can be driven by the commercial power supply. Up to three auxiliary motors can be connected.

Pr.	Name	Initial value		Setting range	Description
		FM	CA		
578 A400	Auxiliary motor operation selection	0		0	No auxiliary motor operation
				1 to 3	Set the number of auxiliary motors to be run.
579 A401	Motor connection function selection	0		0	Basic system
				1	Alternative system
				2	Direct system
				3	Alternative direct system
580 A402	MC switching interlock time	1 s		0 to 100 s	Set the MC switchover interlock time.
581 A403	Start waiting time	1 s		0 to 100 s	Set the time from when the MC is switched until it starts. Set this time a little longer than the MC switching time.
582 A404	Auxiliary motor connection-time deceleration time	1 s		0 to 3600 s	Used to decrease the output frequency of the inverter when a motor connection occurs. Set the deceleration time for decreasing the output frequency.
				9999	The output frequency is not decreased when a motor connection occurs.
583 A405	Auxiliary motor disconnection-time acceleration time	1 s		0 to 3600 s	Used to increase the output frequency of the inverter when a motor connection occurs. Set the acceleration time for increasing the output frequency.
				9999	The output frequency is not increased when a motor connection occurs.
584 A406	Auxiliary motor 1 starting frequency	60 Hz	50 Hz	0 to 590 Hz	Set the frequency to start the auxiliary motor.
585 A407	Auxiliary motor 2 starting frequency	60 Hz	50 Hz		
586 A408	Auxiliary motor 3 starting frequency	60 Hz	50 Hz		
587 A409	Auxiliary motor 1 stopping frequency	0 Hz		0 to 590 Hz	Set the frequency to stop the auxiliary motor.
588 A410	Auxiliary motor 2 stopping frequency	0 Hz			
589 A411	Auxiliary motor 3 stopping frequency	0 Hz			
590 A412	Auxiliary motor start detection time	5 s		0 to 3600 s	Set the delay time until the auxiliary motor is started.
591 A413	Auxiliary motor stop detection time	5 s		0 to 3600 s	Set the delay time until the auxiliary motor is stopped.
1370 A442	Detection time for PID limiting operation	0 s		0 to 900 s	Set the time until the auxiliary motor is stopped when the PID overpressure control function is used.
1376 A414	Auxiliary motor stopping level	9999		0 to 100%	Set the level for stopping the auxiliary motor by the PID overpressure control function.
				9999	The PID overpressure control function is disabled.

NOTES

Refer to page 5-353 to set PID control.

When using the SLEEP function, refer to page 5-366 to set the function.

Multi-pump function control method

Use Pr. 579 "Motor connection function selection" to select the control method for the multi-pump function. Use Pr. 578 "Auxiliary motor operation selection" to set the number of auxiliary motors.

Pr. 579 setting	Control method	Description
0	Basic system	The motor driven by the inverter is always fixed. Commercial power supply operation of auxiliary motors is available by turning on and off the MC between the power supply and the motor depending on the output frequency of the inverter.
1	Alternative system	The motor driven by the inverter is fixed during operation. Commercial power supply operation of auxiliary motors is available by turning on and off the MC between the power supply and the motor depending on the output frequency of the inverter. When output is shut off by the SLEEP function, the MC between the inverter and the motor is switched to switch the motor to be driven by the inverter.
2	Direct system	When the start signal is turned ON, the motor is started by the inverter. When the conditions to start the next motor are established, MCs between the inverter and the motor and the power supply and the motor are switched to change the operation of the motor driven by the inverter to commercial power supply operation, and the next motor is started by the inverter. When conditions to stop motors are established while auxiliary motors are running, the motor started first (currently driven by the commercial power supply) is stopped first, and then the other motors are stopped.
3	Alternative direct system	When the start signal is turned ON, the motor is started by the inverter. When the conditions to start the next motor are established, MCs between the inverter and the motor and the power supply and the motor are switched to change the operation of the motor driven by the inverter to commercial power supply operation, and the next motor is started by the inverter. When conditions to stop motors are established while auxiliary motors are running, the motor driven by the inverter is decelerated to stop, and operation of a motor currently driven by the commercial power supply is switched to the inverter-driven operation after frequency search. To perform frequency search when the motor operation is switched from commercial power supply operation to inverter-driven operation, set Pr. 57 "Restart coasting time" ≠ "9999".

Tab. 5-193: Settings of Pr. 579

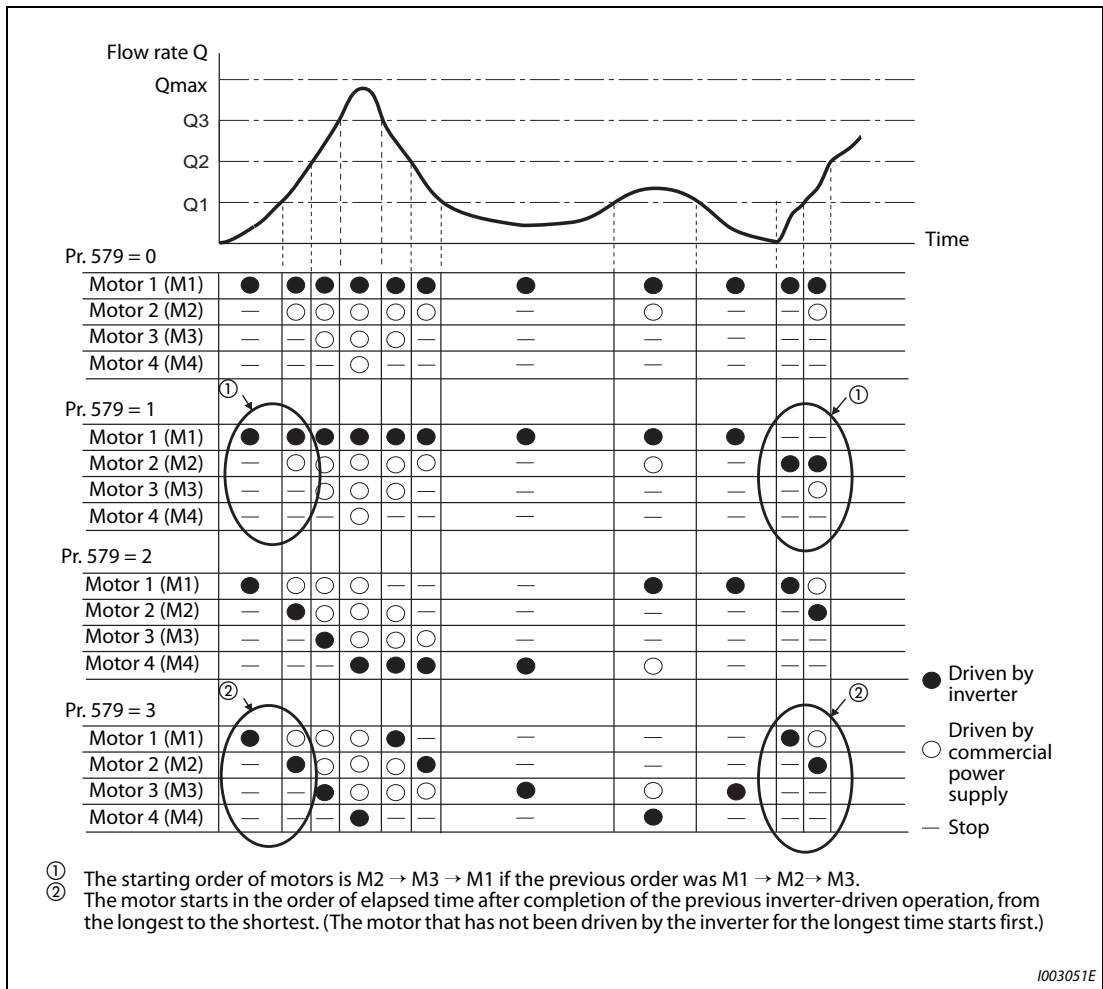


Fig. 5-185: Flow control by auxiliary motors

NOTES

- | The motor 1 (M1) starts first when power is turned ON for the first time or after inverter reset.
- | When the Pr. 578 or Pr. 579 setting has been changed, the motor 1 (M1) starts first.

Connection diagram

- Basic system (Pr. 579 = "0")

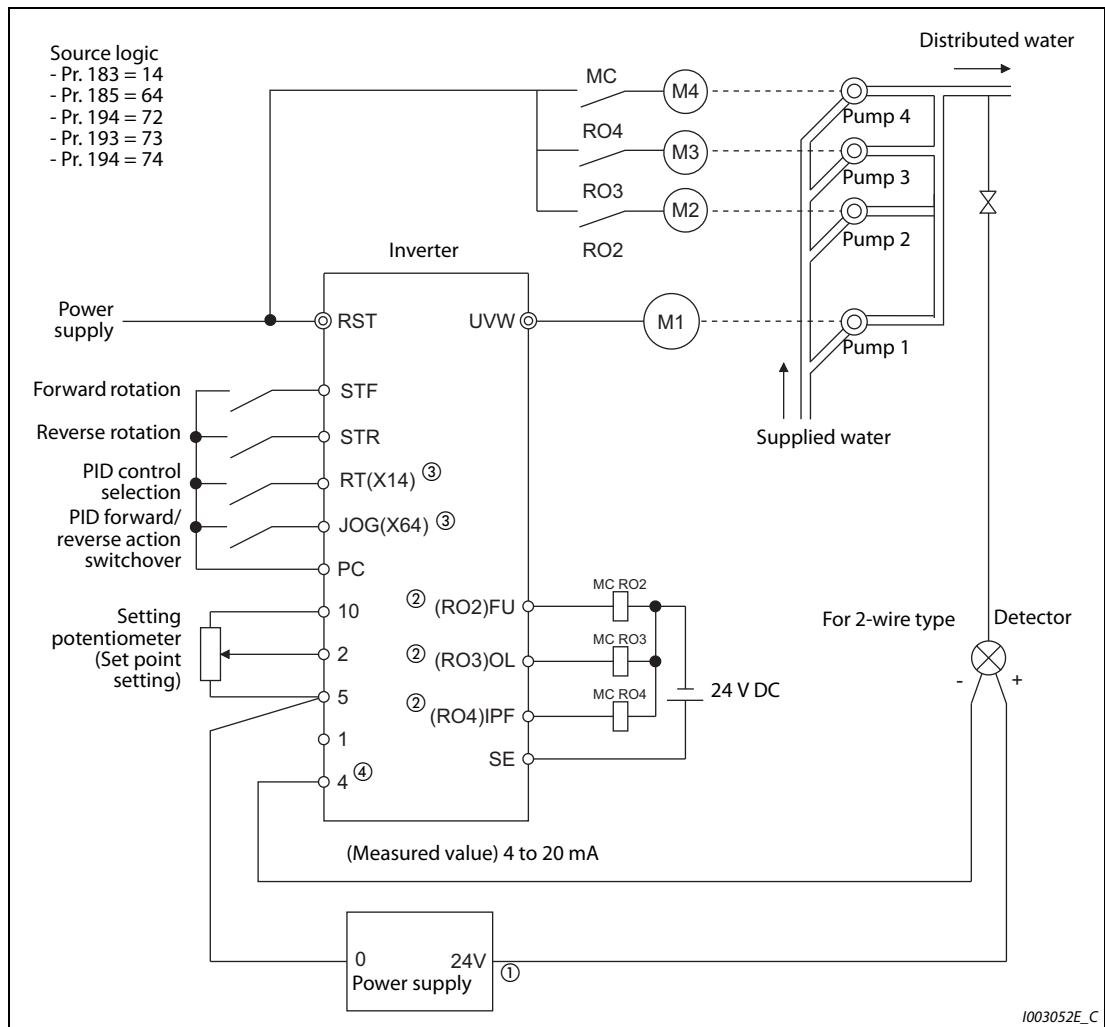


Fig. 5-186: Connection diagram multi-pump function (basic system)

- ① Prepare the power supply in accordance with the power supply specifications of the detector.
- ② The applied output signal terminals differ by the settings of Pr. 190 to Pr. 196 (output terminal function selection).
- ③ The applied input signal terminals differ by the settings of Pr. 178 to Pr. 189 (input terminal function selection).
- ④ There is no need to input AU signal.

- Alternative system (Pr. 579 = "1"), direct system (Pr. 579 = "2"), alternative direct system (Pr. 579 = "3")

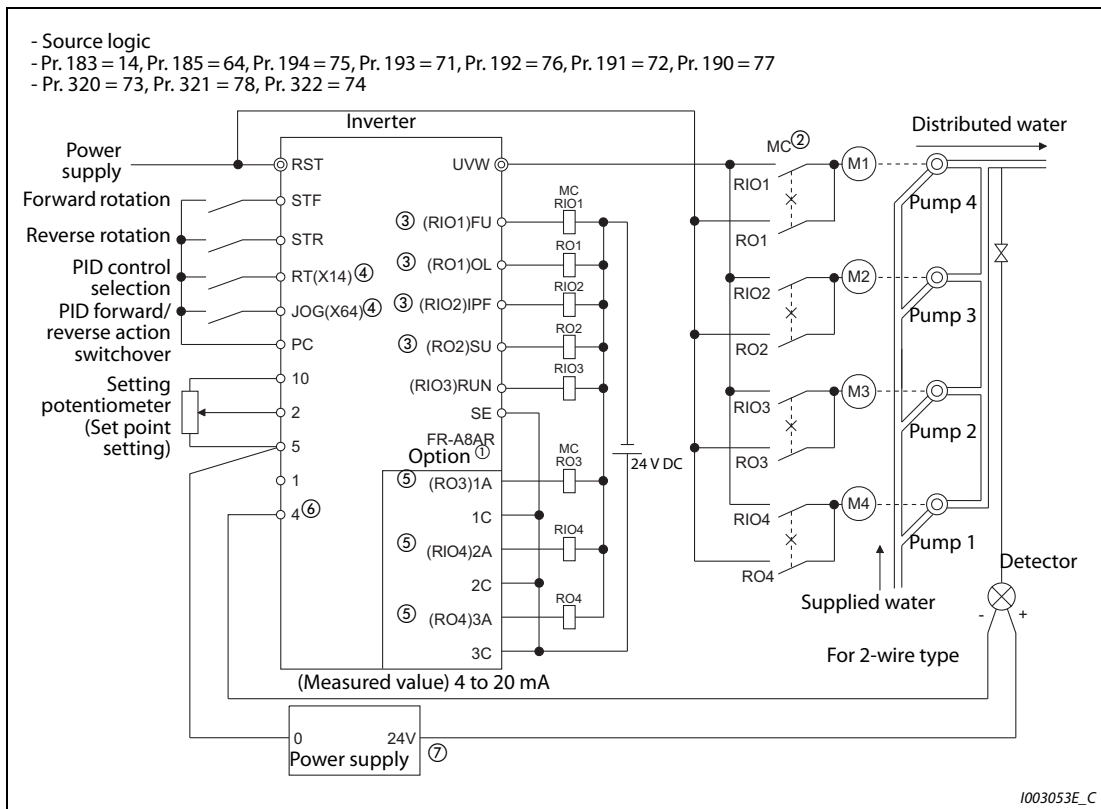


Fig. 5-187: Connection diagram multi-pump function (alternative system, direct system, alternative direct system)

- ① When driving three or more motors, use the plug-in option (FR-A8AR).
- ② Always provide mechanical interlocks for the MC.
- ③ The applied output signal terminals differ by the settings of Pr. 190 to Pr. 196 (output terminal function selection).
- ④ The applied input signal terminals differ by the settings of Pr. 178 to Pr. 189 (input terminal function selection).
- ⑤ The applied output signal terminals differ by the settings of Pr. 320 to Pr. 322 (RA output selection).
- ⑥ There is no need to input AU signal.
- ⑦ Prepare the commercial power supply in accordance with the power supply specifications of the detector.

I/O signals

- When the PID control valid (X14) signal is assigned to the input terminal by setting Pr. 178 to Pr. 189 (input terminal function selection), the multi-pump function is enabled only at turn-ON of the X14 signal.
- Use Pr. 190 to Pr. 196 (output terminal function selection) or plug-in option (FR-A8AR) to assign functions of motor control signal to Pr. 320 to Pr. 322 (RA output selection). (Only positive logic is available.)

Output signal	Pr.190 to Pr.196 and Pr.320 to Pr.322 settings		Function
	Positive logic	Negative logic	
SLEEP	70	170 ^①	PID output interruption
RO1	71	— ^②	Commercial power supply side motor 1 connection RO1
RO2	72	— ^②	Commercial power supply side motor 2 connection RO2
RO3	73	— ^②	Commercial power supply side motor 3 connection RO3
RO4	74	— ^②	Commercial power supply side motor 4 connection RO4
RIO1	75	— ^②	Inverter side motor 1 connection RIO1
RIO2	76	— ^②	Inverter side motor 2 connection RIO2
RIO3	77	— ^②	Inverter side motor 3 connection RIO3
RIO4	78	— ^②	Inverter side motor 4 connection RIO4

Tab. 5-194: I/O signals

- ① The value cannot be set in Pr. 320 to Pr. 322.
 ② Negative logic cannot be set.

Motor switchover timing

- Switchover timing at a start (stop) of an auxiliary motor 1 in the basic system (Pr. 579="0") and alternative system (Pr. 579 = "1")

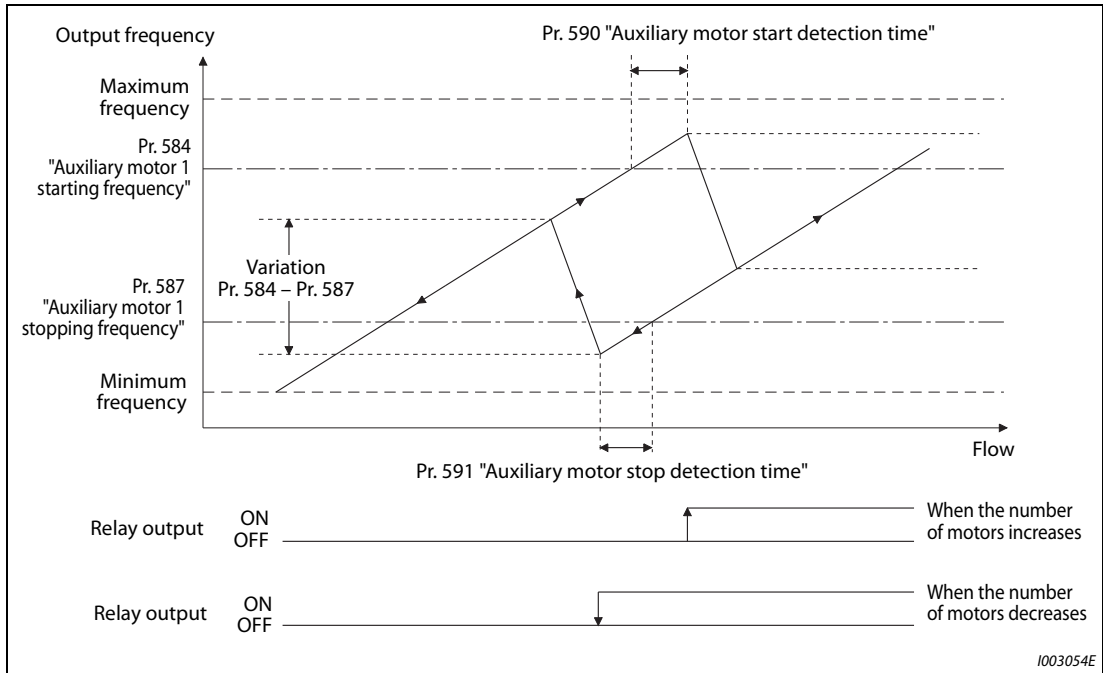


Fig. 5-188: Switchover timing at a start (stop) of an auxiliary motor 1 (basic system, alternative system)

- Switchover timing at a start (stop) of an auxiliary motor 1 in the direct system (Pr. 579 = "2") and alternative direct system (Pr. 579 = "3")

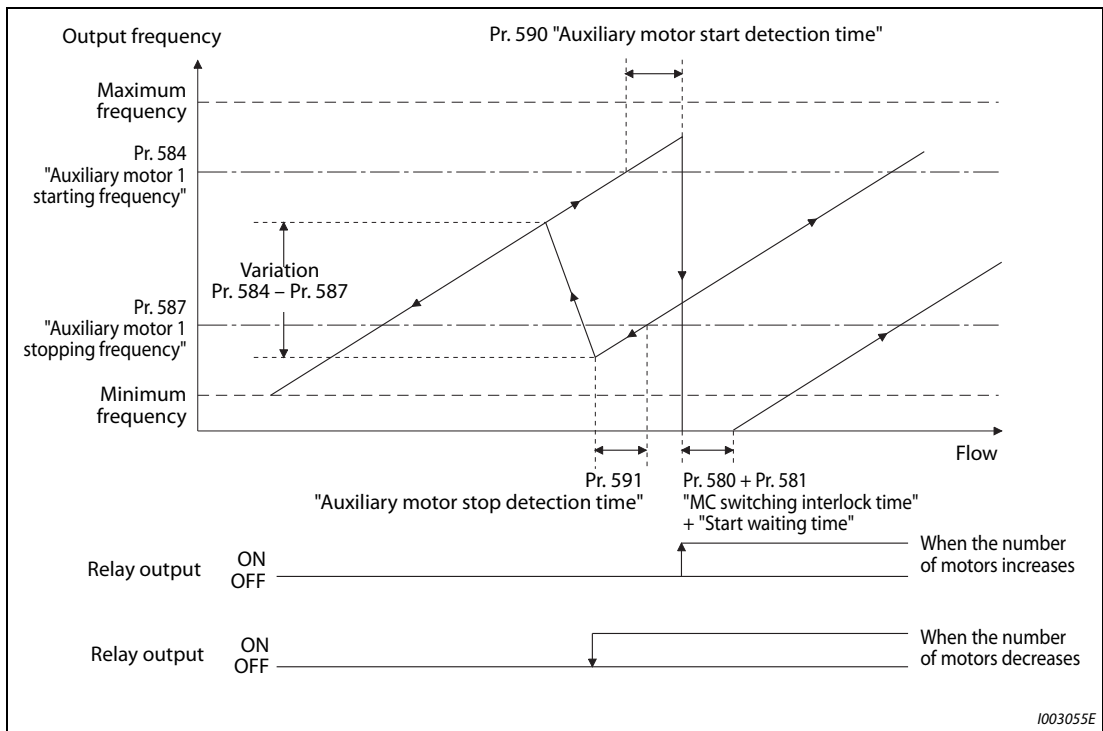


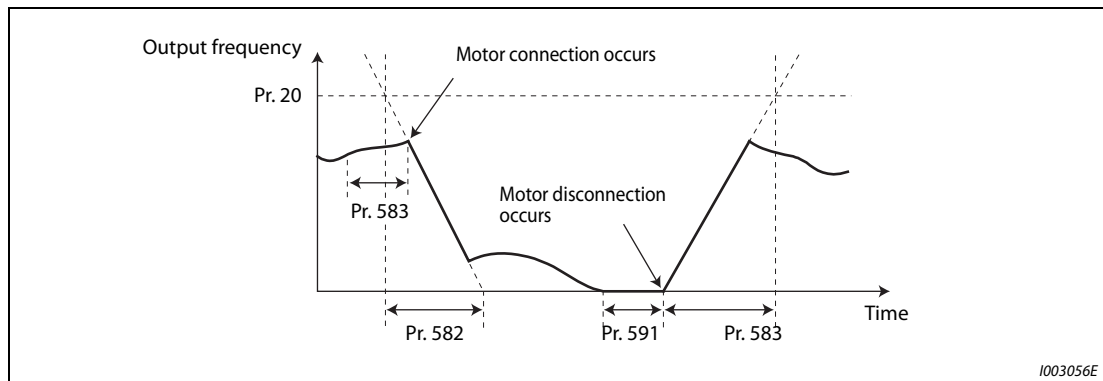
Fig. 5-189: Switchover timing at a start (stop) of an auxiliary motor 1 (direct system, alternative direct system)

Waiting time setting at MC switchover (Pr. 580, Pr. 581)

- Set a waiting time for switchover of MC for the direct system (Pr. 579="2") or alternative direct system (Pr.579="3").
- Set the MC switching time (for example, the time after RIO1 turns OFF until RO1 turns ON) in Pr. 580 "MC switching interlock time".
- Set the time after the MC switchover until the motor starts (for example, the time after RIO1 turns OFF and RIO2 turns ON until the inverter output starts) in Pr. 581 "Start waiting time". Set this time a little longer than the MC switching time.

Acceleration/deceleration time when an auxiliary motor is connected and disconnected (Pr. 582, Pr. 583)

- Use Pr. 582 "Auxiliary motor connection-time deceleration time" to set the deceleration time for forcibly decreasing the output frequency of the inverter when an auxiliary motor connection occurs. Set the deceleration time in Pr. 582 from Pr. 20 "Acceleration/deceleration reference frequency" to stop. The output frequency is not forcibly changed when Pr. 582="9999".
- Use Pr. 583 "Auxiliary motor disconnection-time acceleration time" to set the acceleration time for forcibly increasing the output frequency of the inverter when an auxiliary motor disconnection occurs. Set the acceleration time in Pr. 583 from stop to Pr. 20 "Acceleration/deceleration reference frequency". The output frequency is not forcibly changed when Pr. 583="9999".

**Fig. 5-190:** Acceleration/deceleration time**Starting auxiliary motors (Pr. 584 to Pr. 586, Pr. 590)**

- Use Pr. 584 to Pr. 586 to set the output frequency of the inverter at which the commercial power supply operation motors are started. When output frequency equals to or higher than the setting continues for longer than the time set in Pr. 590 "Auxiliary motor start detection time", auxiliary motors driven by the commercial power supply are started.
- To set the starting frequency, use Pr. 584 "Auxiliary motor 1 starting frequency" for the first auxiliary motor, and use Pr. 585 "Auxiliary motor 2 starting frequency" for the second motor, and use Pr. 586 "Auxiliary motor 3 starting frequency" for the third motor.
- The starting sequence depends on the Pr. 579 "Motor connection function selection" setting.

Stopping auxiliary motors (Pr. 587 to Pr. 589, Pr. 591)

- Use Pr. 587 to Pr. 589 to set the output frequency of the inverter at which the commercial power supply operation motors are stopped. When output frequency equals to or lower than the setting continues for longer than the time set in Pr. 591 "Auxiliary motor stop detection time", auxiliary motors driven by the commercial power supply are stopped.
- To set the stopping frequency, use Pr. 587 "Auxiliary motor 1 stopping frequency" for the first auxiliary motor, and use Pr. 588 "Auxiliary motor 2 stopping frequency" for the second motor, and use Pr. 589 "Auxiliary motor 3 stopping frequency" for the third motor.
- The stopping sequence depends on the Pr. 579 "Motor connection function selection" setting.

Timing diagram

- When using four motors in the basic system (Pr. 579 = "0")

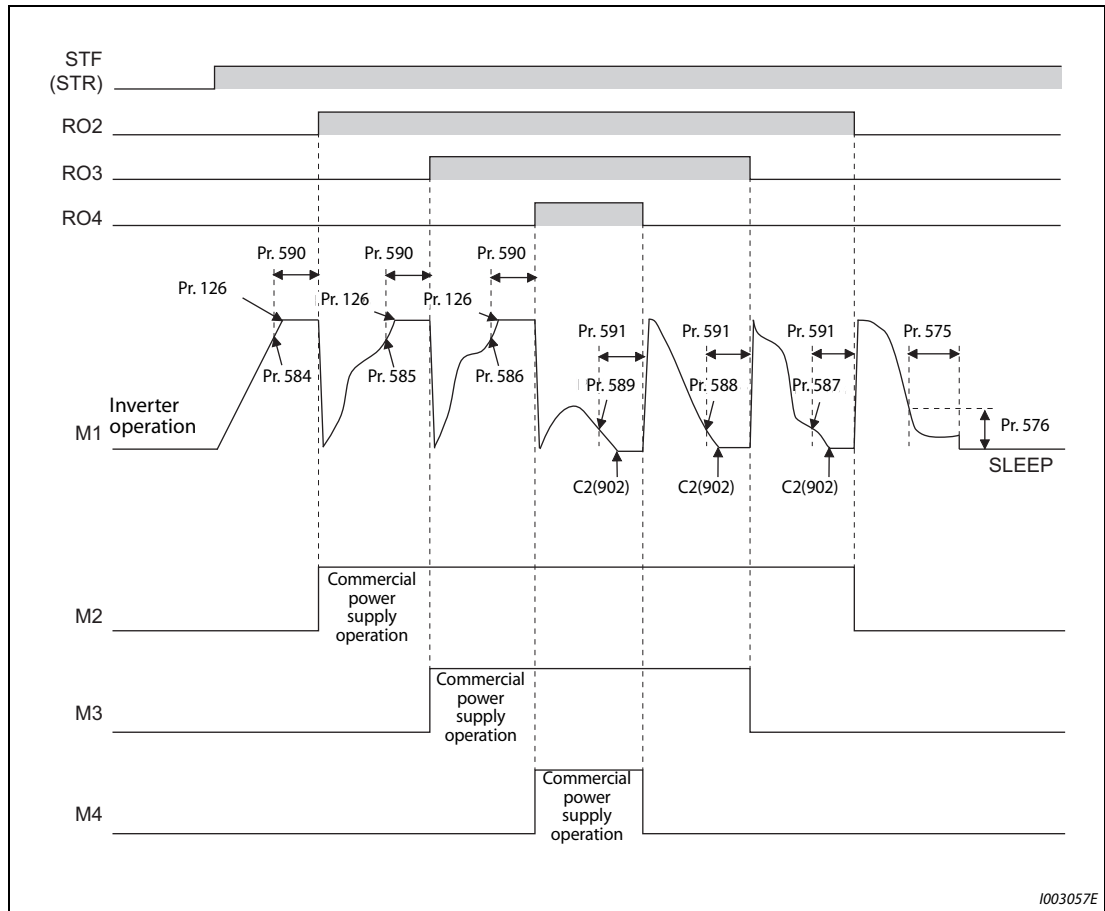


Fig. 5-191: Timing diagram when using four motors (basic system)

- When using two motors in the alternative system (Pr. 579 = "1")

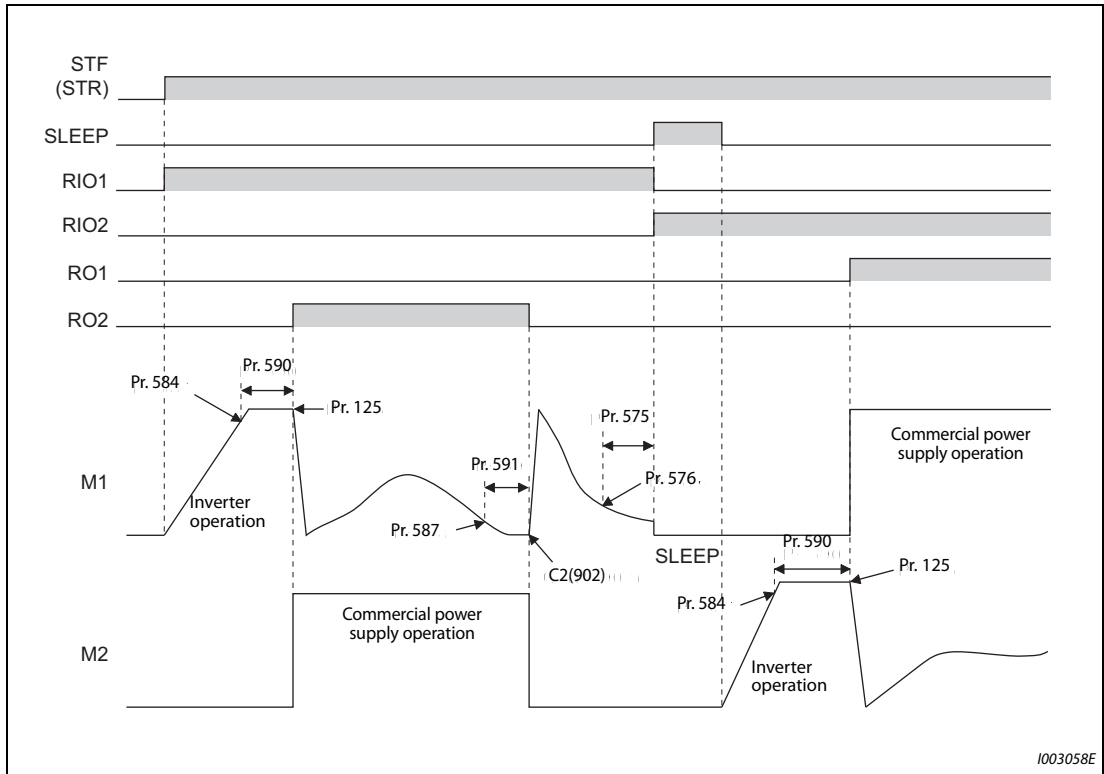


Fig. 5-192: Timing diagram when using two motors (alternative system)

- When using two motors in the direct system (Pr. 579 = "2")

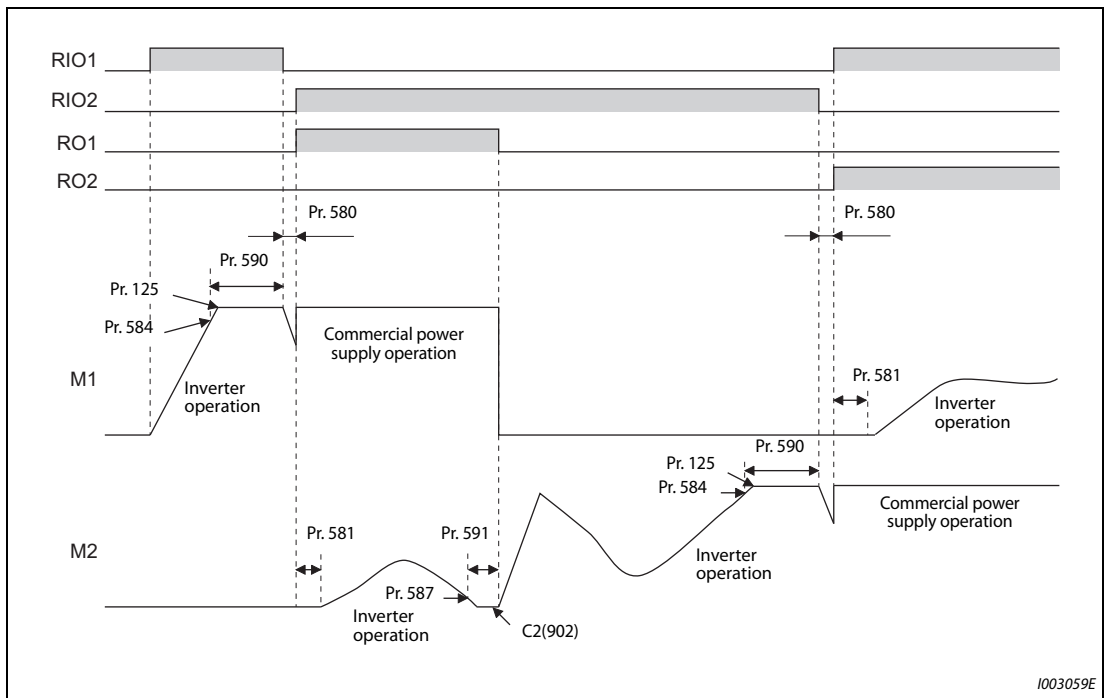


Fig. 5-193: Timing diagram when using two motors (direct system)

NOTES

When a start signal is turned OFF while running, MC (RO1 to RO4) turns OFF and the motor decelerates.

When a protective function is activated while running, MC (RO1 to RO4) turns OFF and the inverter output is shut off.

- When using two motors in the alternative direct system (Pr. 579 = "3")

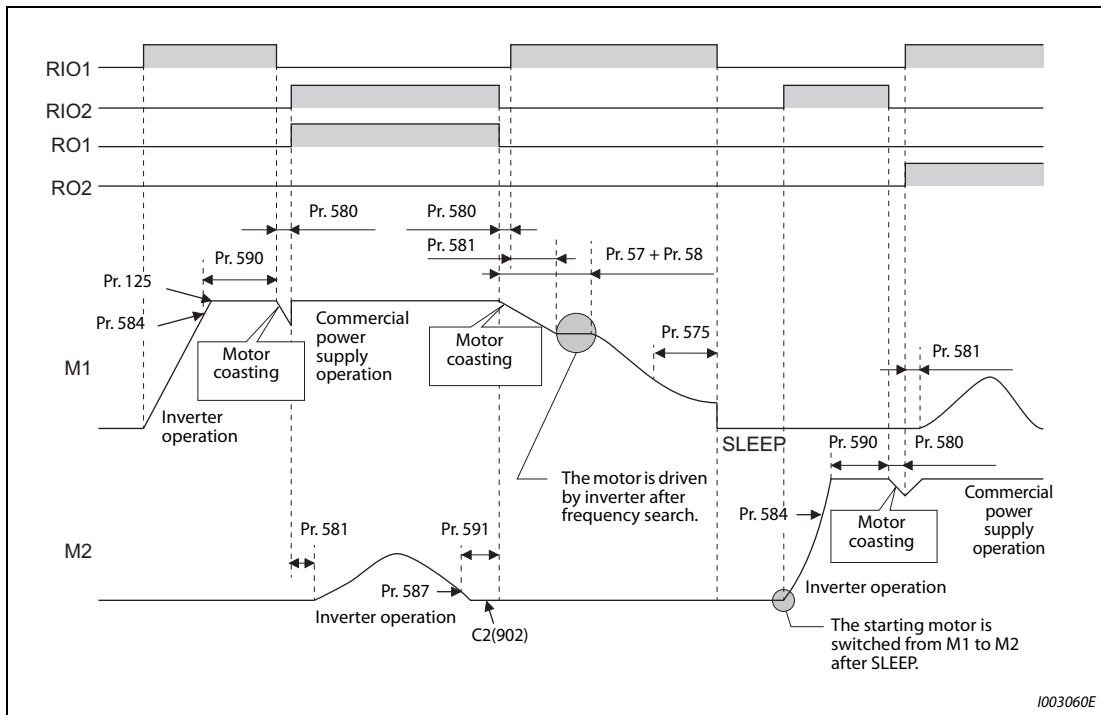


Fig. 5-194: Timing diagram when using two motors (alternative direct system)

NOTES

When the start signal is turned OFF during operation, the inverter-driven motor is decelerated to stop. The motors under commercial power supply operation are switched over to inverter-driven operation one at a time and decelerated to stop after frequency search in order from the longest operation time.

When a protective function is activated while running, MC (RO1 to RO4) turns OFF and the inverter output is shut off.

When the MRS signal is turned ON during operation, the inverter output is shut off and the running motors coast to a stop. Although the motor with the longest operating time of the commercial power supply operation is switched to the inverter operation after elapse of time set in Pr. 591 "Auxiliary motor stop detection time", the output shutoff status remains. When the MRS signal is turned OFF, the inverter-driven operation starts after frequency search.

If the starting signal is turned ON during deceleration regardless of the Pr. 579 setting, the multi-pump operation is performed again.

PID overpressure control (Pr. 1370 and Pr. 1376)

- When the main valve is suddenly closed in the multi-pump function system, a sudden increase of the pipe pressure may occur, and the pipes may be broken. To prevent fracture of the pipes, all auxiliary motors are stopped when the feedback value exceeds the predetermined level.
- When the PID measured value reaches or exceeds the Pr. 1376 "Auxiliary motor stopping level" and the elapsed time exceeds the Pr. 1370 "Detection time for PID limiting operation" while the multi-pump function is activated, all operating auxiliary motors are disconnected and allowed to coast to a stop regardless of the Pr. 579 "Motor connection function selection" setting. The motor driven by the inverter continues its operation.
- After the auxiliary motor is stopped, the motor operation does not start while the PID measured value is equal to Pr. 1376 setting or more even when the auxiliary motor starting condition is satisfied.

NOTES

The PID overpressure control function can be used when PID control is performed (reverse action only) by the set point or measured value input using the multi-pump function.

Either the first or the second PID measured value is used according to the PID control selection. When the control switches between the first PID control and second PID control, the measured value to be used is also switched to continue the control operation.

Parameters referred to			
Pr. 20	Acceleration/deceleration reference frequency	=>	page 5-102
Pr. 21	Acceleration/deceleration time increments	=>	page 5-102
Pr. 57	Restart coasting time	=>	page 5-415
Pr. 58	Restart cushion time	=>	page 5-415
Pr. 178 to Pr. 189	(input terminal function selection)	=>	page 5-285
Pr. 190 to Pr. 196	(output terminal function selection)	=>	page 5-231

5.11.10 PID control enhanced functions

PID control enhanced functions can be used to perform PID control according to applications.
(For the details of the PID control, refer to page 5-353.)

Pr.	Name	Initial value	Setting range	Description
1361 A440	Detection time for PID output hold	5 s	0 to 900 s	Set the time from when the deviation falls within the PID output hold range until the PID output is held.
1362 A441	PID output hold range	9999	0 to 50%	Set the range in which the PID output is held.
			9999	The PID output holding is disabled.
1363 A447	PID Priming time	9999	0 to 360 s	Set the time from when the priming operation starts until the main pump starts.
			9999	The PID priming pump function is disabled.
1364 A448	Stirring time during sleep	15 s	0 to 3600 s	Set the stirring time.
1365 A449	Stirring interval time	0 h	0 to 1000 h	Set the interval time for the stirring operation.
1366 A627	Sleep boost level	9999	0 to 100%	Increase the set point before the PID output suspension function is activated.
			9999	The PID sleep boost function is disabled.
1367 A628	Sleep boost waiting time	0 s	0 to 360 s	Set the waiting time for the sleep boost operation.
1368 A629	Output interruption cancel time	0 s	0 to 360 s	Set the time from when the deviation reaches the output interruption cancel level until the output is started.
111 F031	Check valve deceleration time	9999	0 to 3600 s	Set the deceleration time for the check valve deceleration function.
			9999	The check valve deceleration function is disabled.
1369 A446	Check valve closing completion frequency	9999	0 to 120 Hz	Set the frequency at which the check valve deceleration stops.
			9999	The check valve deceleration function is disabled.
1370 A442	Detection time for PID limiting operation	0 s	0 to 900 s	Set the time from when the measured value input exceeds the Pr.131 or Pr.132 setting until the FUP or FDN signal is output.
1371 A443	PID upper/lower limit pre-warning level range	9999	0 to 50%	Set the operation range for the PID upper/lower limit pre-warning function.
			9999	The PID upper/lower limit pre-warning function is disabled.
1372 A444	PID measured value control set point change amount	5%	0 to 50%	Set the set point change amount for the PID upper/lower limit pre-warning operation.
1373 A445	PID measured value control set point change rate	0%	0 to 100%	Set the set point change rate for the PID upper/lower limit pre-warning operation.
1374 A450	Auxiliary pressure pump operation starting level	1000%	900 to 1100%	Set the deviation level for operating the auxiliary pressure pump.
1375 A451	Auxiliary pressure pump operation stopping level	1000%	900 to 1100%	Set the deviation level for stopping the auxiliary pressure pump.
1376 A414	Auxiliary motor stopping level	9999	0 to 100%	Set the level for stopping the auxiliary motor by the PID overpressure control function.
			9999	The PID overpressure control function is disabled.
1377 A452	PID input pressure selection	9999	1	Terminal 1 pressure input
			2	Terminal 2 pressure input
			3	Terminal 4 pressure input
			9999	The PID input pressure control function is disabled.
1378 A453	PID input pressure warning level	20%	0 to 100%	Set the input pressure warning level.
1379 A454	PID input pressure fault level	9999	0 to 100%	Set the input pressure fault level.
			9999	The input pressure fault detection is disabled.

Pr.	Name	Initial value	Setting range	Description
1380 A455	PID input pressure warning set point change amount	5%	0 to 100%	Set the set point change amount when the pressure reaches the input pressure warning level.
1381 A456	PID input pressure fault operation selection	0	0	The protective function (E.PID) for the input pressure fault is activated.
			1	A deceleration stop is performed when the input pressure fault occurs.

PID output hold (Pr. 1361 and Pr. 1362)

- The manipulated amount (PID output) can be fixed when the fluctuation of the deviation is small. This function eliminates unnecessary acceleration/deceleration, which is effective to reduce the power consumption.
- When the deviation falls within the Pr. 1362 "PID output hold range" and the elapsed time exceeds the Pr. 1361 "Detection time for PID output hold", the manipulated amount (PID output) is fixed at the output frequency at that time.
- Even if the deviation falls out of the PID output hold range, the manipulated amount (PID output) is kept during the detection time for PID output hold.

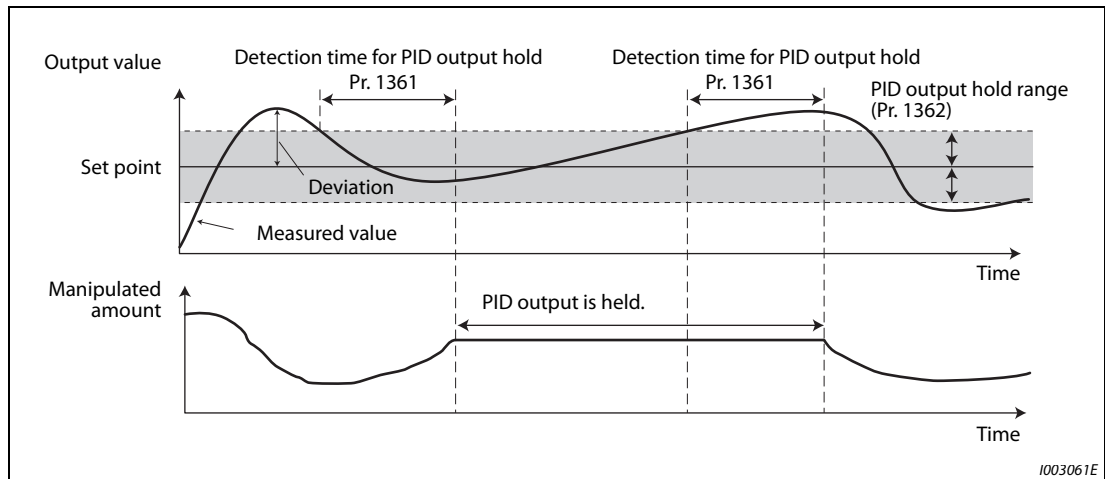


Fig. 5-195: PID output hold

NOTES

While the PID output is held, calculation is not performed for the P term, I term, and D term. For the P and I terms, the values at the start of the holding period are kept. The D term is set to "0".

When the control switches between the first PID control and second PID control, the PID output holding state is cancelled.

The PID output holding function is disabled in the following cases:

When Pr. 1362 = "9999", while the PID setting is not applied to the frequency, during the sleep function, at switching to the auxiliary motor in the multi-pump function, during PID gain tuning, and during the sleep boost.

Stirring function during the PID sleep (Pr. 1364 and Pr. 1365)

- This function starts the pump periodically to prevent clogging of the pump while the PID output suspension function (sleep function) is activated.
- When the sleep function is activated and the elapsed time exceeds the Pr. 1365 "Stirring interval time", the pump is operated at the stirring frequency (Pr. 232 or Pr. 233). The pump decelerates to stop when the elapsed time exceeds the Pr. 1364 "Stirring time during sleep". The interval time count for the second time onward starts after the previous deceleration stop is completed.

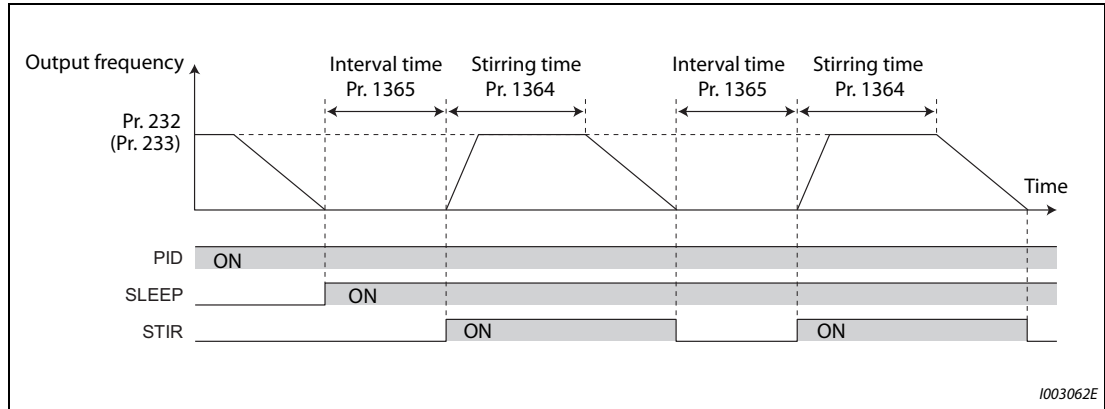


Fig. 5-196: Stirring function during PID sleep

- The rotation direction depends on the Pr. 232 and Pr. 233 settings.

Stirring frequency		Rotation direction	Remarks
Pr. 232 setting	Pr. 233 setting		
9999	9999	—	The stirring function during the PID sleep is disabled.
0 to 590 Hz	Arbitrary	Command direction	Pr. 232 frequency is used for stirring.
9999	0 to 590 Hz	Opposite to the command direction	Pr. 233 frequency is used for stirring.

Tab. 5-195: Settings of parameters 232 and 233

- The stirring signal (STIR) turns ON during the stirring operation. For the STIR signal, set "218 (positive logic)" or "318 (negative logic)" in any of Pr. 190 to Pr. 196 (output terminal function selection) to assign the function.
- When Pr. 579 "Motor connection function selection" = "1 or 3" (multi-pump function), the starting order of the motors is changed when the sleep function is activated. The stirring operation during the sleep is applied to the motor to be started first next time. For example, when the previous starting order was M1 → M2 → M3 → M4, and the next starting order of motors is M2 → M3 → M4 → M1, stirring operation during the sleep will be applied to the M2 motor.
- When the auxiliary motor starting condition is satisfied by the stirring operation during the sleep while the multi-pump function is used, the stirring operation continues. The auxiliary motor does not start.

NOTES

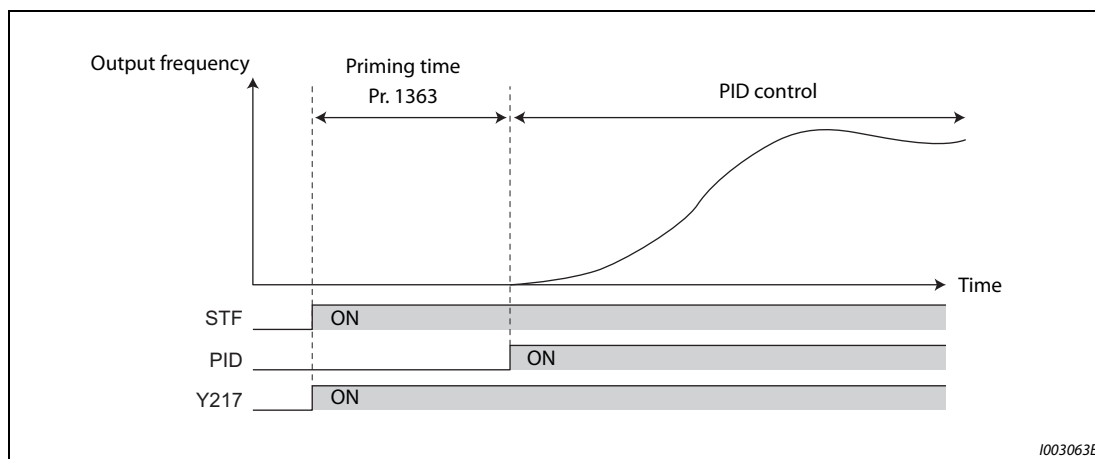
When the control switches between the first PID control and second PID control during the sleep function, the interval time and the stirring time timer are carried over.

When the sleep function cancellation condition is satisfied, the sleep function is cancelled, and the stirring function during the sleep is also cancelled.

Changing the terminal assignment using Pr. 190 to Pr. 196 (output terminal function selection) may affect the other functions. Set parameters after confirming the function of each terminal.

PID priming pump function (Pr. 1363)

- This function starts the priming pump first before starting the main pump so that the main pump does not intake air at start.
- When the start command is turned ON after setting Pr. 1363 "PID Priming time" \neq "9999", the priming pump operation signal (Y217) turns ON to start the priming pump. When the elapsed time exceeds the Pr. 1363 setting, the main pump starts.
- The priming pump continues operation during operation of the main pump. When the STF signal is turned OFF to stop the main pump, the priming pump also stops.
- For the Y217 signal, set "217 (positive logic)" or "317 (negative logic)" in any of Pr. 190 to Pr. 196 (output terminal function selection) to assign the function.

**Fig. 5-197:** Priming operation**NOTES**

The priming operation is performed at every startup.

When the operation is restarted after inverter reset by a protective function activation, the priming operation is performed.

When the inverter is restarted by the retry operation at a fault occurrence, the priming pump operation is continued and after the restart, the PID control operation is performed without waiting for the priming time.

When the control switches between the first PID control and second PID control during the priming time, the priming time is carried over.

The PID priming pump function is enabled when the PID setting is applied to the frequency.

Even when the inverter emergency stop operation (output shutoff by the MRS signal, etc.) is performed, the PID priming pump function operation continues while the power is supplied to the control circuit. For the emergency stop operation, configure another circuit to stop the priming pump.

Changing the terminal assignment using Pr. 190 to Pr. 196 (output terminal function selection) may affect the other functions. Set parameters after confirming the function of each terminal.

PID auxiliary pressure pump function (Pr. 1374 and Pr. 1375)

- This function enables signal output to activate an auxiliary pressure pump when the pump flow rate is low in the system which constantly requires a high pressure.
- When the deviation exceeds the auxiliary pressure pump operation starting level (Pr. 1374 "Auxiliary pressure pump operation starting level" – 1000%) after the PID output suspension function (sleep function) is activated, the auxiliary pressure pump starts and the auxiliary pressure pump operation signal (Y226) turns ON.
- When the deviation falls below the auxiliary pressure pump operation stopping level (Pr. 1375 "Auxiliary pressure pump operation stopping level" – 1000%) during the auxiliary pressure pump operation, the auxiliary pressure pump stops.
- For the Y226 signal, set "226 (positive logic)" or "326 (negative logic)" in any of Pr. 190 to Pr. 196 (output terminal function selection) to assign the function.

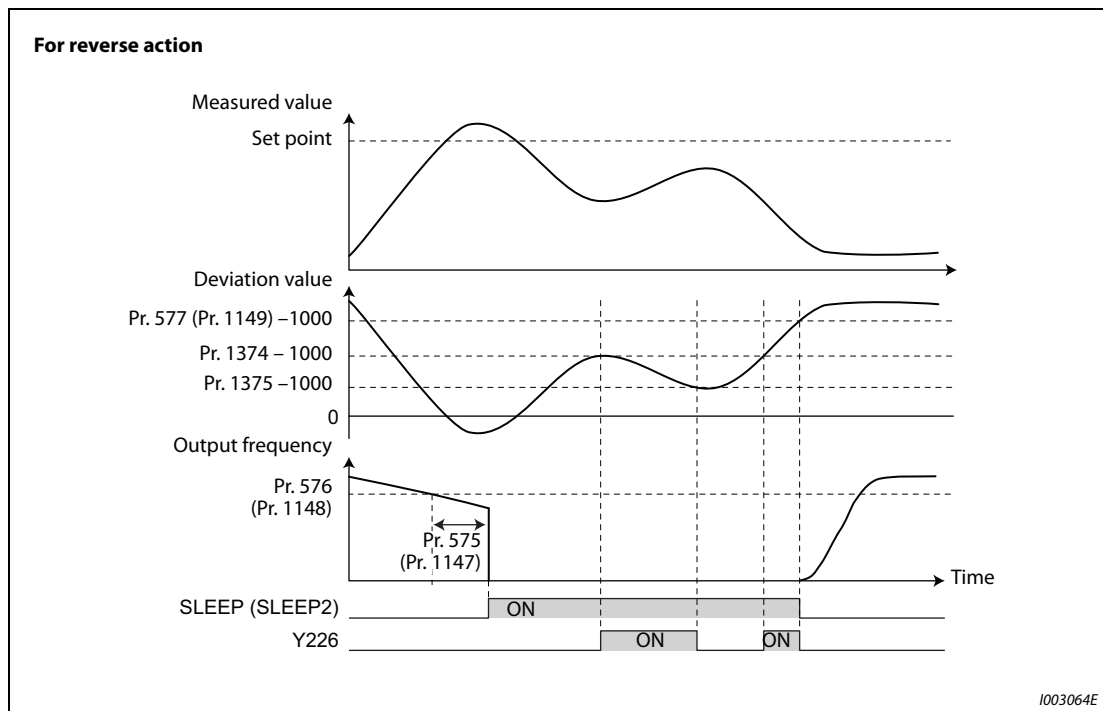


Fig. 5-198: PID auxiliary pressure pump function

NOTES

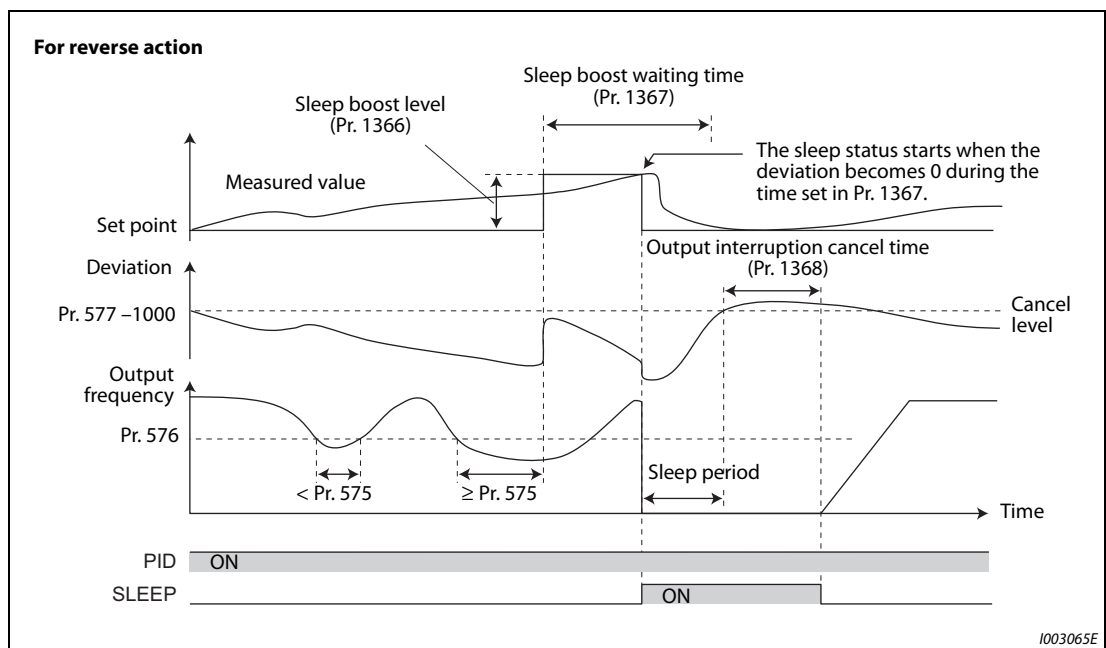
The recommended settings of Pr. 577 (Pr. 1149), Pr. 1374, and Pr. 1375 are as follows:
Pr. 577 (Pr. 1149) > Pr. 1374 > Pr. 1375

Even when the inverter emergency stop operation (output shutoff by the MRS signal, etc.) is performed, the PID auxiliary pressure pump function operation continues while the power is supplied to the control circuit. For the emergency stop operation, configure another circuit to stop the auxiliary pressure pump.

Changing the terminal assignment using Pr. 190 to Pr. 196 (output terminal function selection) may affect the other functions. Set parameters after confirming the function of each terminal.

PID sleep boost (Pr. 1366 to Pr. 1368)

- The pump pressure can be increased before the PID output suspension function (sleep function) is activated. This function is useful to prevent frequent repetition of starting and stopping of the pump, and to keep the sleep state for a long period of time.
- When the normal condition to activate the sleep function is satisfied (the output frequency is less than Pr. 576 setting for the time set in Pr. 575 or longer), the PID set point automatically increases by the amount set in Pr. 1366 "Sleep boost level".
- When the measured value reaches to the set point during Pr. 1367 "Sleep boost waiting time", the sleep function is activated. Then, the set point returns to its original value from the sleep boost set point.
- When the measured value does not reach to the sleep boost set point after the time set in Pr. 1367 passes, PID control continues without activating the sleep function.
- When the deviation remains at the Pr. 577 setting or higher for the time set in Pr. 1368 "Output interruption cancel time", the inverter output restarts.

**Fig. 5-199:** PID sleep boost

Check valve deceleration function (Pr. 111 and Pr. 1369)

- When the pump is stopped, slow deceleration can be applied to the predetermined section to prevent the water hammer sound caused by closing the valve.
- The Pr. 111 "Check valve deceleration time" setting is applied to the section between Pr. 2 "Minimum frequency" and Pr. 1369 "Check valve closing completion frequency".

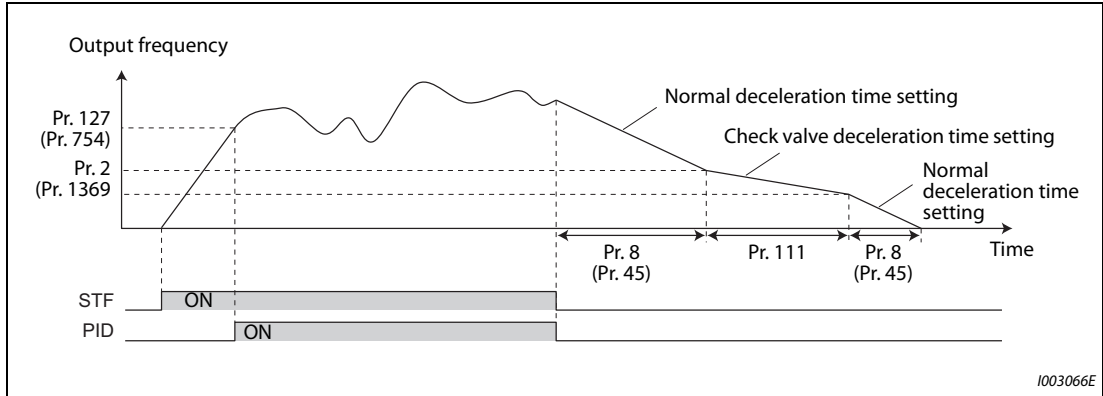


Fig. 5-200: Check valve deceleration function

NOTES

- | The check valve deceleration function is enabled when the PID setting is applied to the frequency.
- | When the Pr. 1369 setting is higher than the Pr. 2 setting, the normal deceleration time (Pr. 8 or Pr. 45) setting is applied.

PID upper/lower limit pre-warning (Pr. 1370 to Pr. 1373)

- The set point can be changed to prevent increase of the measured value before PID upper limit (FUP) or PID lower limit (FDN) is detected.
- When the measured value reaches and remains at the pre-warning level set in Pr. 1371 "PID upper/lower limit pre-warning level range" for the time set in Pr. 1370 "Detection time for PID limiting operation", the PID upper/lower limit pre-warning signal (Y219) or the second PID upper/lower limit pre-warning signal (Y220) is output. Also, the set point is changed by the amount set in Pr. 1372 "PID measured value control set point change amount".
- Set the rate (%/s) for changing the set point by the Pr. 1372 setting value in Pr. 1373 "PID measured value control set point change rate". When the measured value falls within the normal range, the set point returns to its original value.
- For the Y219 and Y220 signals, assign the functions to output terminals using the Pr. 190 to Pr. 196 (output terminal function selection).

Output signal	Pr.190 to Pr.196 setting	
	Positive logic	Negative logic
Y219	219	319
Y220	220	320

Tab. 5-196: Signal assignment of Y219 and Y220

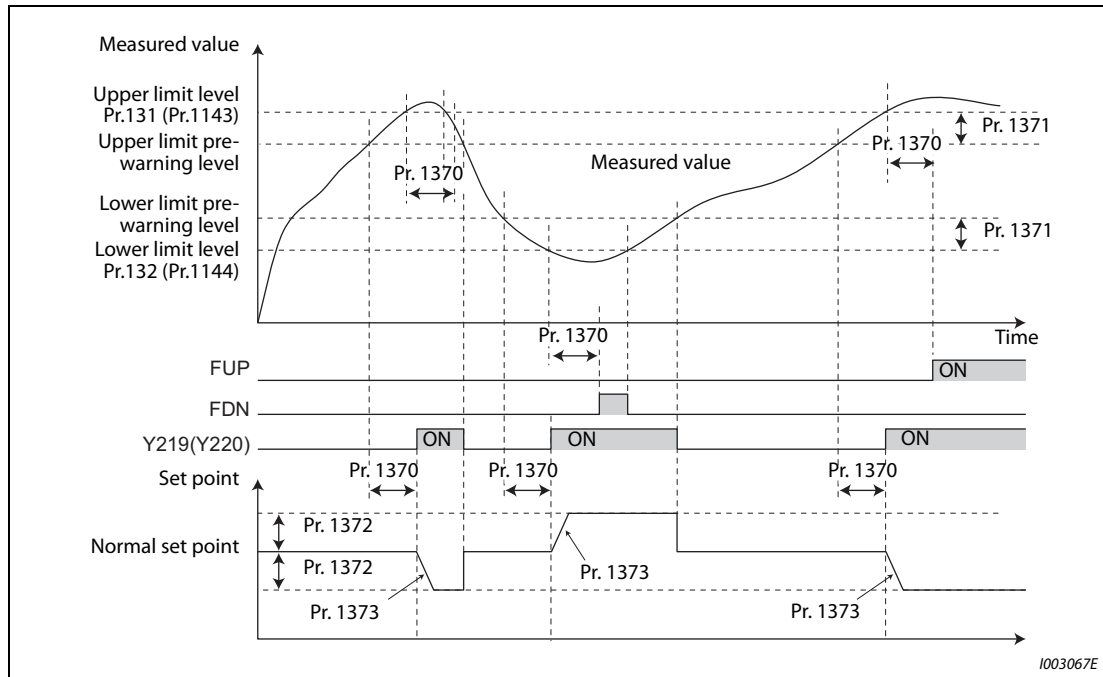


Fig. 5-201: PID upper/lower limit pre-warning

NOTES

When Pr. 554 = "5, 7, 15, or 17" and a deceleration stop is performed by the FUP/FDN signal detection, the set point changed by the Pr. 1372 setting value remains effective.

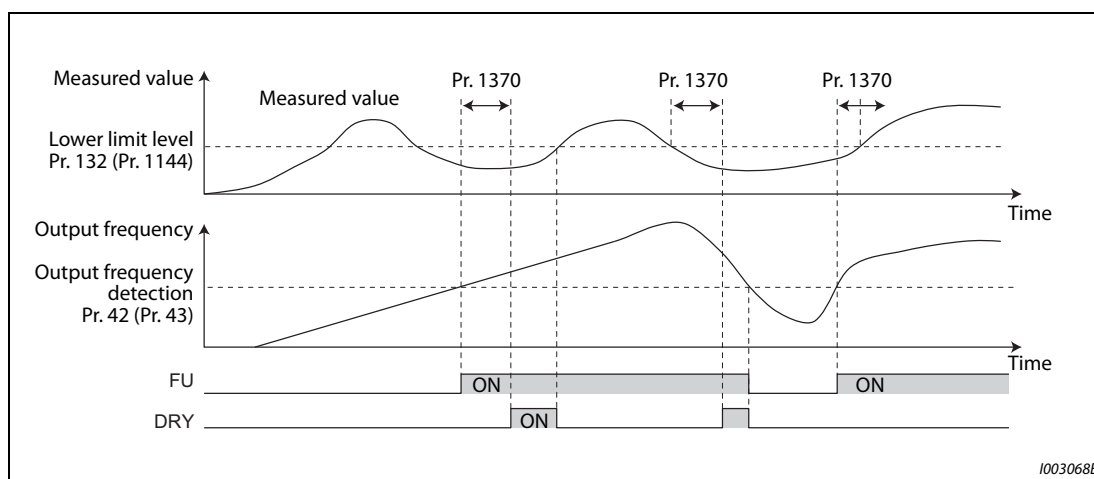
The set point change by the PID upper/lower limit pre-warning function is enabled when the PID setting is applied to the frequency.

When the control switches between the first PID control and second PID control while the set point is changed by the Pr. 1372 setting value or while the Y219 (Y220) signal is output, the set point returns to its original value.

When the upper limit or lower limit is disabled (Pr.131 or Pr.132 = "9999"), the upper/lower limit pre-warning function is not activated.

PID dry run monitoring function (Pr. 1370)

- This function can prevent operation without water in the pipes by monitoring the flow rate (measured value) inside the pipes. When the flow rate decreases while the FU signal is ON, an output signal is sent for notification.
- The dry run signal (DRY) is output during PID control when the measured value is lower than the lower limit (Pr. 132 or Pr. 1144) and the output frequency is higher than the setting in Pr. 42 "Output frequency detection" or Pr. 43 "Output frequency detection for reverse rotation" (FU signal ON) for the time set in Pr. 1370 "Detection time for PID limiting operation".
- For the DRY signal, set "228 (positive logic)" or "328 (negative logic)" in any of Pr. 190 to Pr. 196 (output terminal function selection) to assign the function.
- The PID dry run monitoring function is enabled for the reverse action.

**Fig. 5-202:** PID dry run monitoring function**NOTE**

The PID dry run monitoring function is enabled when the PID setting is applied to the frequency.

PID input pressure control (Pr. 1370, Pr. 1373, and Pr. 1377 to Pr. 1381)

- In order to prevent air intake and cavitation inside the pump, this function controls the pump inlet pressure so that there is no water shortage.
- To enable the PID input pressure control function, set the terminal for the pressure input in Pr. 1377 "PID input pressure selection". (Select a terminal different from the one used for inputting the set point, measured value, or deviation.)

Pr. 1377 setting	Pressure input terminal	Remarks
1	Terminal 1	Set Pr. 868="0 (initial value)".
2	Terminal 2	—
3	Terminal 4	Set Pr. 858="0 (initial value)".
9999 (Initial value)	The PID input pressure control function is disabled.	—

Tab. 5-197: Settings of Pr. 1377

- When the input pressure measured at the inlet remains lower than the Pr. 1378 "PID input pressure warning level" for the time set in Pr. 1370 "Detection time for PID limiting operation", the PID input pressure warning signal (Y229) is output. Also, the set point is changed by the amount set in Pr. 1380 "PID input pressure warning set point change amount".
- Set the rate (%/s) for changing the set point by the Pr. 1380 setting value in Pr. 1373 "PID measured value control set point change rate". When the input pressure falls within the normal range, the set point returns to its original value.
- When the input pressure measured at the inlet remains lower than the Pr. 1379 "PID input pressure fault level" for the time set in Pr. 1370 "Detection time for PID limiting operation", the operation for the abnormal input pressure starts and the PID input pressure fault signal (Y230) is output.
- Select the operation for the abnormal input pressure in Pr. 1381.

Pr. 1381 setting	Operation for the abnormal input pressure	Y230 signal
0 (Initial value)	Output shutoff by the protective function (E.PID) activation	The signal is output at the same time with the protective function.
1	Deceleration stop (Operation can be restarted when the input pressure returns to normal.)	The signal is output after a deceleration stop.

Tab. 5-198: Settings of Pr. 1381

- For the Y229 and Y230 signals, assign the functions to output terminals using the Pr. 190 to Pr. 196 (output terminal function selection).

Output signal	Pr. 190 to Pr. 196 setting	
	Positive logic	Negative logic
Y229	229	329
Y230	230	330

Tab. 5-199: Signal assignment of Y229 and Y230

- To monitor the input pressure, set "69" in the monitor selection parameters. (0.1% increments)

Monitor type	Parameter setting			Communication monitor code	
	Pr. 52, Pr. 774 to Pr. 776, and Pr. 992 (Operation panel indication)	Pr. 54 (Terminal FM/CA output)	Pr. 158 (Terminal AM output)	RS-485 communication dedicated monitor (hexadecimal)	MODBUS® RTU real time monitor
PID input pressure value	69	69	69	H45	40269

Tab. 5-200: PID input pressure monitor

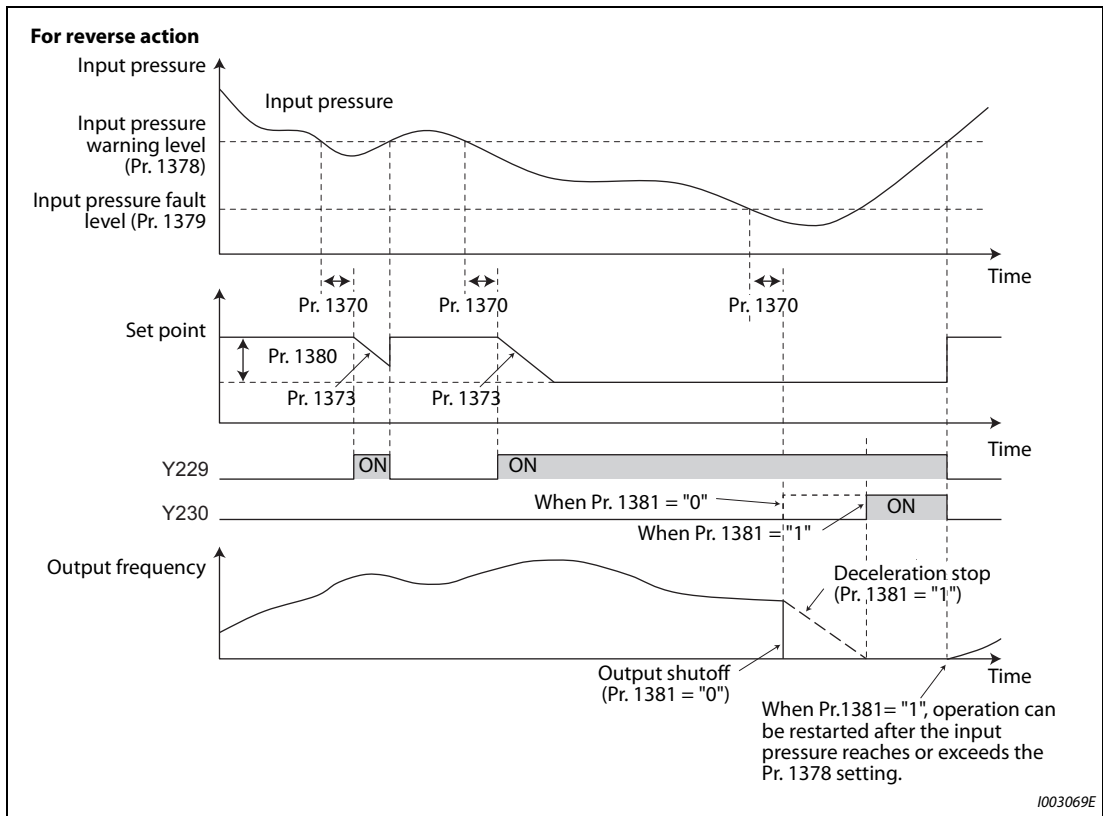


Fig. 5-203: PID input pressure control

NOTES

When the control switches between the first PID control and second PID control while the set point is changed by the Pr. 1380 setting value or while the Y229/Y230 signal is output, the set point returns to its original value or the signal turns OFF, and the detection restarts.

When the PID input pressure control function and the PID upper/lower limit pre-warning function are used simultaneously, each function may change the set point. When the set point change is attempted by both functions, the change by the PID input pressure control function has priority.

When the PID input pressure control function and the PID sleep boost function are used simultaneously, each function may change the set point. When the set point change is attempted by both functions, the change by the PID input pressure control function has priority. (The sleep state is established without applying the set point change by the PID sleep boost function.)

5.11.11 Automatic restart after instantaneous power failure/flying start with an induction motor

The inverter can be restarted without stopping the motor in the following conditions:

- when switching from commercial power supply operation over to inverter running,
- when an instantaneous power failure occurs during inverter running,
- when the motor is coasting at start.

Pr.	Name	Initial value		Setting range	Description
		FM	CA		
162 A700	Automatic restart after instantaneous power failure selection	0		0 (2)	Frequency search only performed at the first start
				1	Reduced voltage start only at the first start (no frequency search)
				3	Frequency search only performed at the first start (reduced impact restart)
				10 (12)	Frequency search at every start
				11	Reduced voltage start at every start (no frequency search)
				13	Frequency search at every start (reduced impact restart)
299 A701	Rotation direction detection selection at restarting	9999		0	Without rotation direction
				1	With rotation direction
				9999	When Pr. 78 = "0", with rotation direction When Pr. 78 = "1, 2" without rotation direction
57 A702	Restart coasting time	9999		0	Coasting time differs according to the inverter capacity. ^①
				0.1 to 30 s	Set the waiting time for the inverter to perform a restart at power restoration after an instantaneous power failure.
				9999	No restart
58 A703	Restart cushion time	1 s		0 to 60 s	Set the voltage cushion time for restart.
163 A704	First cushion time for restart	0 s		0 to 20 s	Set the voltage cushion time for restart. Consider this matched to the size of the load (moment of inertia/torque)
164 A705	First cushion voltage for restart	0%		0 to 100%	
165 A710	Stall prevention operation level for restart	120%	110%	0 to 400%	Set the stall prevention operation level at a restart operation on the assumption that the inverter rated current is 100%.
611 F003	Acceleration time at a restart	9999		0 to 3600 s	Set the acceleration time that takes to reach Pr. 20 "Acceleration/deceleration reference frequency" setting at a restart.
				9999	Standard acceleration time (for example, Pr. 7) is applied as the acceleration time at restart.

^① The coasting time when Pr. 57 = "0" is as shown below. (When Pr. 162, Pr. 570 are set to the initial value.)

FR-F820-00077(1.5K) or lower and FR-F840-00038(1.5K) or lower: 0.5 s

FR-F820-00105(2.2K) to FR-F820-00340(7.5K) and

FR-F840-00052(2.2K) to FR-F840-00170(7.5K): 1 s

FR-F820-004900(11K) to FR-F820-02330(55K),

FR-F840-00250(11K) to FR-F840-01160(55K): 3.0 s

FR-F820-03160(75K) or higher and FR-F840-01800(75K) or higher: 5.0 s

Automatic restart after instantaneous power failure function

- The inverter output is shut off at the activation of the instantaneous power failure protection (E.IPF) or undervoltage protection (E.UVT). (Refer to page page 6-9 for E.IPF or E.UVT.)
- When E.IPF or E.UVT is activated, the instantaneous power failure (IPF)/undervoltage signal is output.
- The IPF signal is assigned to terminal IPF in the initial setting. To assign the IPF signal to a different terminal, set "2 (positive logic) or 102 (negative logic)" to any of Pr. 190 to Pr. 196 (Output terminal function selection).
- When the automatic restart after instantaneous power failure function is selected, motor restarts at the power restoration after an instantaneous power failure or undervoltage. (E.IPF and E.UVT are not activated.)

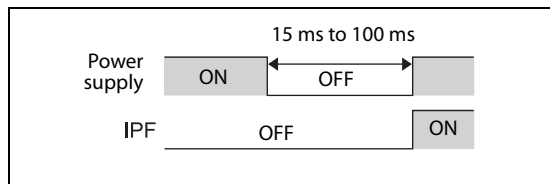
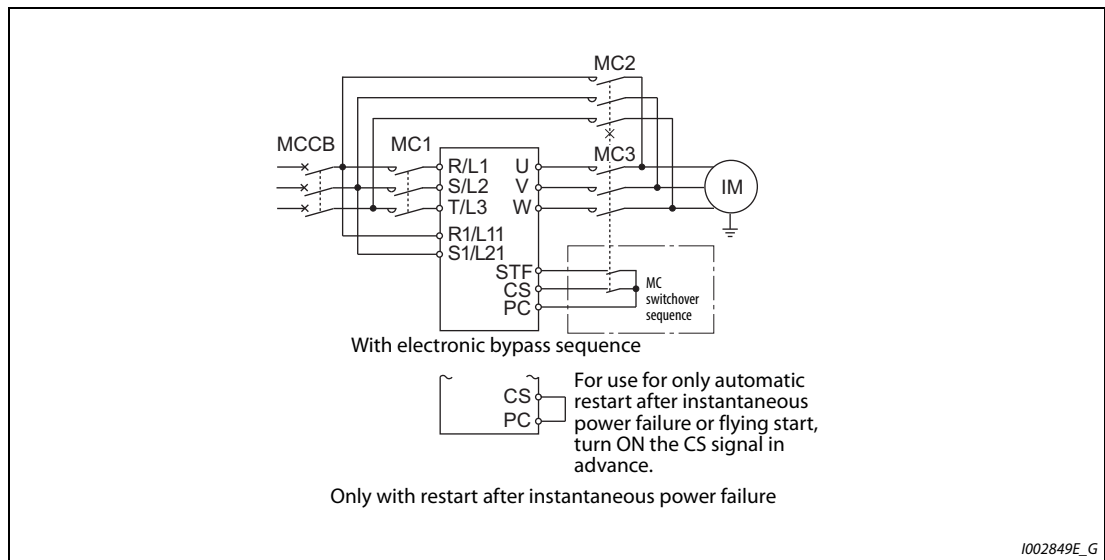


Fig. 5-204:
IPF signal

I001353E

Connection (CS signal)

- When the automatic restart after instantaneous power failure / flying start signal (CS) is assigned to the input terminal by setting Pr.178 to Pr.189 (input terminal function selection), restart operation is enabled at turn-ON of the CS signal.
- When the CS signal is assigned to an input terminal and Pr. 57 "Restart coasting time" ≠ "9999" (with restart), the inverter cannot be operated while the CS signal remains OFF.

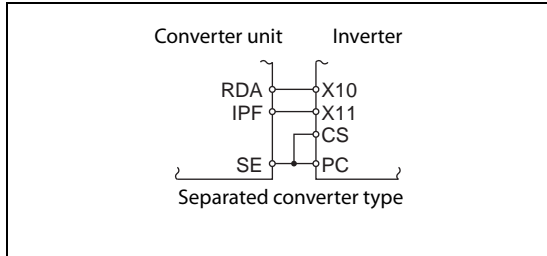


I002849E_G

Fig. 5-205: Connection example

- Separated converter types detect the instantaneous power failure on the converter unit side. Perform wiring so that the IPF signal transmitted from the converter unit is input to the terminal to which the X11 signal is assigned. On the converter unit side, enable the restart operation. (For setting the converter unit, refer to the Instruction Manual of the converter unit.)

- For the terminal to be used for the X10 and X11 signal, set "10" (X10), "11" (X11) in Pr. 178 to Pr. 189 and assign the function. (For separated converter types, the X10 signal is assigned to the terminal MRS in the initial setting.)
- For the X10 signal of separated converter types, NC contact input specification is selected in the initial setting. Set Pr. 599 = "0" to change the input specification to NO contact.

**Fig. 5-206:**

Connecting the signals X10, X11, CS

I002850E_G

NOTES

Changing the terminal assignment using Pr. 178 to Pr. 189 may affect other functions. Set parameters after confirming the function of each terminal.

If the CS signal is not assigned to any input terminal, solely setting Pr. 57 will enable the restart operation at all times.

Setting for the automatic restart after instantaneous power failure operation (Pr. 162)

The Pr. 162 settings and the instantaneous power failure automatic restart operation under each operation mode are as shown below.

Pr. 162 setting	Restart operation	V/F control, Advanced magnetic flux vector control	PM motor control
0 (initial value), (2) ^①	At first start	Frequency search	Frequency search for PM motor (Refer to page 5-423)
1	At first start	Reduced voltage start	
3	At first start	Frequency search (reduced impact restart)	
10, (12) ^①	At every start	Frequency search	
11	At every start	Reduced voltage start	
13	At every start	Frequency search (reduced impact restart)	

Tab. 5-201: Setting of Pr. 162

^① The same operation is performed for the both settings

Restart operation with frequency search (Pr. 162 = "0, 2, 3, 10, 12, 13", Pr. 299)

- When Pr. 162 = "0 (initial value), 2, 3, 10, 12, 13", the motor speed is detected at a power restoration so that the motor can re-start smoothly.
- The encoder also detects the rotation direction so that the motor can re-start smoothly even during the reverse rotation.
- Whether or not to detect the rotation direction can be selected by Pr. 299 "Rotation direction detection selection at restarting".
If the motor capacity is different from the inverter capacity, set Pr. 299 = "0 (no rotation direction detection)".
- When the rotation direction is detected, the following operation is performed according to the Pr. 78 "Reverse rotation prevention selection" setting.

Pr. 299 setting	Pr. 78 setting		
	0	1	2
9999 (initial value)	○	×	×
0	×	×	×
1	○	○	○

○: With rotation direction detection, X: Without rotation direction detection

Tab. 5-202: Rotation direction direction

- By setting "3, 13" in Pr. 162, the restart can be made smoother with even less impact than when "0, 2, 10, 12" is set in Pr. 162. When the inverter is restarted with "3, 13" set to Pr. 162, offline auto tuning is required. (For details on offline auto tuning of Advanced magnetic flux vector control, refer to page 5-303, and for details on offline auto tuning of V/F control, refer to page 5-427.)

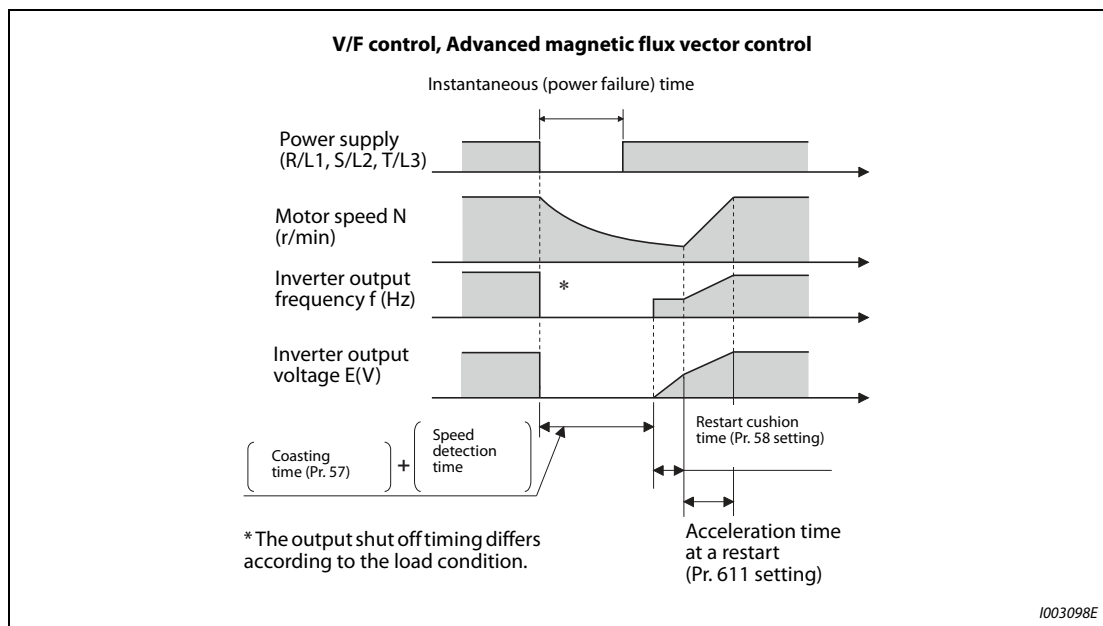


Fig. 5-207: Automatic restart in different operation modes

NOTES

The rotation speed detection time (frequency search) changes according to the rotation speed of the motor. (maximum 1 s)

When the inverter capacity is two ranks or greater than the motor capacity, the overcurrent protective function (E.O.C□) is sometimes activated and prevents the inverter from restarting.

If two or more motors are connected to one inverter, this function operates abnormally. (The inverter does not restart successfully.)

Because a DC injection brake is applied instantaneously at speed detection during a restart, the speed might drop if the moment of inertia (J) of the load is small.

If reverse operation is detected when "1" (reverse rotation disabled) is set to Pr. 78, operation decelerates by reverse rotation and then changes to forward rotation when the start command is forward rotation. The inverter does not restart when the start command is reverse rotation.

When "3, 13" is set to Pr. 162, limit the wiring length to within 100 m.

Restart operation without frequency search (Pr. 162 = "1, 11")

When Pr. 162 = "1 or 11", reduced voltage start is used for the restart operation. In this method, the voltage is raised gradually while keeping the output frequency level at the level before the instantaneous failure, regardless of the motor's coasting speed.

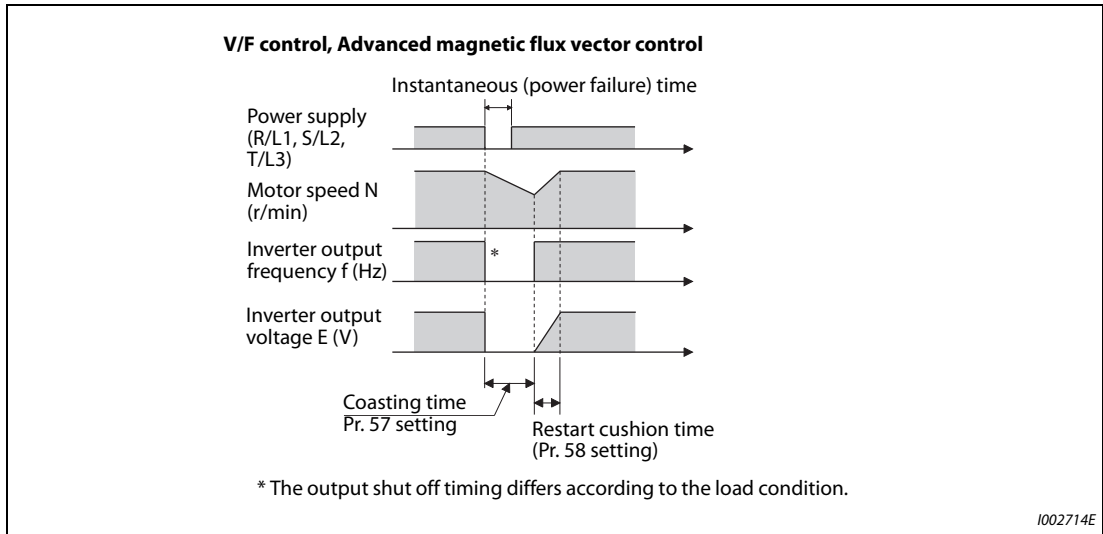


Fig. 5-208: Automatic restart without frequency search (Pr. 162 = 1/11)

NOTE

This restart method uses the output frequency that was active before the instantaneous power failure stored in memory. If the instantaneous power failure time is 0.2 s or more, the output frequency can no longer be stored and held in memory, so the restart is performed from Pr. 13 "Starting frequency" (initial value is 1.5 Hz).

Restart at every start (Pr. 162 = "10 to 13")

When "10 to 13" is set in Pr. 162, a restart operation is performed at each start and automatic restart after instantaneous power failure (Pr. 57 start after the reset time has elapsed). When "0 (initial value) to 3" is set in Pr. 162, a restart operation is performed at the first start after a power-ON, and from the second power-ON onwards, a start from the starting frequency is performed.

Automatic restart operation of MRS (X10) signal

The restart operation after restoration from output shutoff by the MRS (X10) signal is as shown in the table below according to the Pr. 30 setting.

Pr. 30 setting	Operation after restoration from output shutoff by the MRS (X10) signal
2, 10, 11, 102, 110, 111	Restart operation (starting from the coasting speed)
Other than the above	Starting from Pr.13 Starting frequency.

Tab. 5-203: Operation selection after output shutoff

NOTES

When output is shut off using safety stop function (terminals S1 and S2), the inverter restarts in the same way as when output is shut off by MRS (X10) signal.

Adjustment of restart coasting time (Pr. 57)

- Coasting time is the time from the motor speed detection to the restart operation start.
- To enable restart operation, set "0" to Pr. 57 "Restart coasting time". If "0" is set to Pr. 57, the coasting time is automatically set to the following value. Generally, this setting does not interfere with inverter operation.

Pr. 162 setting	200 V class FR-F820-□														
	00046 (0.75K)	00077 (1.5K)	00105 (2.2K)	00167 (3.7K)	00250 (5.5K)	00340 (7.5K)	00490 (11K)	00630 (15K)	00770 (18.5K)	00930 (22K)	01250 (30K)	01540 (37K)	01870 (45K)	02330 (55K)	03160 (75K) or higher
	400 V class FR-F840-□														
	00023 (0.75K)	00038 (1.5K)	00052 (2.2K)	00083 (3.7K)	00126 (5.5K)	00170 (7.5K)	00250 (11K)	00310 (15K)	00380 (18.5K)	00470 (22K)	00620 (30K)	00770 (37K)	00930 (45K)	01160 (55K)	01800 (75K) or higher
Other than 3, 13	0.5		1				3					5			
3, 13	1		2				3					5			

Tab. 5-204: Restart waiting time

- Inverter operation is sometimes hindered by the size of the moment of inertia (J) of the load or running frequency. Adjust this coasting time within the range 0.1 s to 30 s to match the load specification.
- Set the waiting time when the sine wave filter is used (Pr. 72 "PWM frequency selection" = "25") to 3 s or more.

Restart cushion time (Pr. 58)

- The cushion time is the time takes to raise the voltage to the level required for the specified speed after the motor speed detection (output frequency before instantaneous power failure when Pr. 162 = "1 or 11").
- Normally, the motor runs at the initial value as it is. However, adjust to suit the moment of inertia (J) of the load or the size of the torque.

Adjustment of restart operation (Pr. 163 to Pr. 165, Pr. 611)

- The voltage cushion time at a restart can be adjusted by Pr. 163 and Pr. 164 as shown in the figure on the left.
- The stall prevention operation level at a restart operation can be set at Pr. 165.
- Using Pr. 611, the acceleration time to reach Pr. 20 "Acceleration/deceleration reference frequency" after a restart operation can be set. This can be set individually from the normal acceleration time.

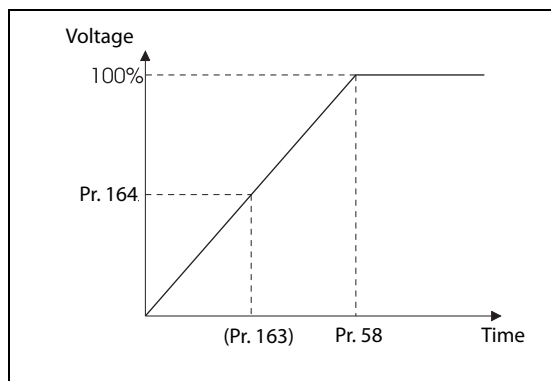


Fig. 5-209:
Voltage rise at automatic restart

I001170E

NOTES

- Changing the Pr. 21 setting does not affect the Pr. 611 setting increment.
- Changing the terminal assignment using Pr. 178 to Pr. 189 (input terminal function selection) may affect the other functions. Set parameters after confirming the function of each terminal.
- When the restart operation is selected, undervoltage (E.UVT) and instantaneous power failure (E.IPF) of the fault output signals become invalid.
- The SU and FU signals are not output during the restart. These signals are output after the restart cushion time passes.
- Restart operation is also performed after the inverter reset is released or after the retry by the retry function occurs.



CAUTION:

- **Provide a mechanical interlock for MC1 and MC2. The inverter will be damaged if power supply is input to the inverter output section.**
- **When the automatic restart after instantaneous power failure function is selected, the motor suddenly starts (after reset time passes) when an instantaneous power failure occurs. Stay away from the motor and machinery. Apply the supplied CAUTION stickers to easily visible places when automatic restart after instantaneous power failure has been selected.**

Parameters referred to			
Pr. 7	Acceleration time	=>	page 5-102
Pr. 21	Acceleration/deceleration time increments	=>	page 5-102
Pr. 13	Starting frequency	=>	page 5-115, page 5-117
Pr. 65, Pr. 67 to Pr. 69	Retry function	=>	page 5-164
Pr. 78	Reverse rotation prevention selection	=>	page 5-139
Pr. 178 to Pr. 189	(input terminal function selection)	=>	page 5-285

5.11.12 Automatic restart after instantaneous power failure/flying start with an IPM motor

When using the IPM motor MM-EFS/MM-THE4, the inverter operation can be restarted without stopping the motor operation.

When the automatic restart after instantaneous power failure function is selected, the motor driving is resumed in the following situations:

- When power comes back ON during inverter driving after an instantaneous power failure
- When the motor is coasting at start

Pr.	Name	Initial value	Setting range	Description
57 A702	Restart coasting time	9999	0	No coasting time
			0.1 to 30 s	Set the waiting time for the inverter to perform a restart after restoring power due to an instantaneous power failure.
			9999	No restart
162 A700	Automatic restart after instantaneous power failure selection	0	0, 1, 2, 3	Frequency search only performed at the first start
			10, 11, 12, 13	Frequency search at every start
611 F003	Acceleration time at a restart	9999	0 to 3600 s	Set the acceleration time to reach Pr. 20 "Acceleration/ deceleration reference frequency" at restart.
			9999	Standard acceleration time (for example, Pr. 7) is applied as the acceleration time at restart.

Automatic restart after instantaneous power failure function

- The inverter output is shut off at the activation of the instantaneous power failure protection (E.IPF) or undervoltage protection (E.UVT). (Refer to page 6-9 for E.IPF or E.UVT.)
- When E.IPF or E.UVT is activated, the instantaneous power failure/undervoltage (IPF) signal is output.
- The IPF signal is assigned to terminal IPF in the initial status. By setting "2 (positive logic) or 102 (negative logic)" in any of Pr. 190 to Pr. 196 (output terminal function selection), the IPF signal can be assigned to another terminal.
- When the automatic restart after instantaneous power failure function is selected, motor driving is resumed at the power restoration after an instantaneous power failure or undervoltage. (E.IPF and E.UVT are not activated.)

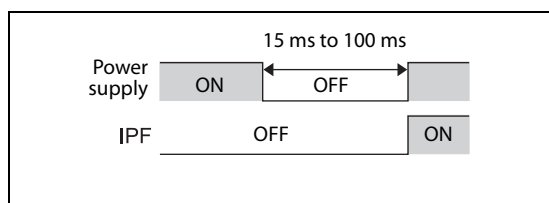


Fig. 5-210:
IPF signal

I001353E

Connection (CS signal)

- Restart is enabled at turn-ON of the automatic restart after instantaneous power failure/flying start (CS) signal.
- The inverter operation is disabled at turn-OFF of the CS signal while Pr. 57 "Restart coasting time" ≠ "9999" (with restart).

NOTES

Changing the terminal assignment may affect other functions. Set parameters after confirming the function of each terminal.

If the CS signal is not assigned to any input terminal, solely setting Pr. 57 will enable the restart operation at all times.

If the restart operation is selected, instantaneous power failure protection (E.IPF) is disabled while the fault output signal is output at an instantaneous power failure.

The SU and FU signals are not output during the restart. These signals are output after the restart cushion time passes.

Restart operation is also performed after the inverter reset is released or after the retry by the retry function occurs.

Selection of restart operation (Pr. 162)

- At a power restoration, the encoder detects the motor speed by a frequency search so that the inverter can re-start smoothly.
- The encoder also detects the rotation direction so that the inverter can re-start smoothly even during the reverse rotation.
- When "10 (11, 12, 13)" is set in Pr. 162, a restart operation is performed at each start and automatic restart after instantaneous power failure. When "0 (1, 2)" is set to Pr. 162, a restart operation is performed at the first start after a power-ON, and from the second power-ON onwards, a start from the starting frequency is performed.

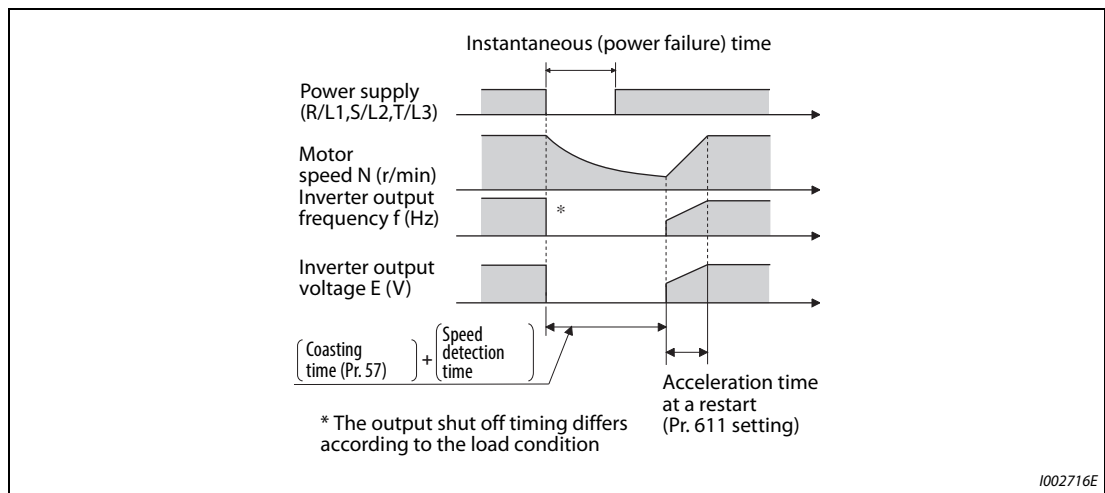


Fig. 5-211: Restart operation

NOTES

Because a DC injection brake is applied instantaneously at speed detection during a restart, the speed might drop if the moment of inertia (J) of the load is small.

Restart operation with reduced voltage is not available for PM motor control.

Restart coasting time (Pr. 57)

- The coasting time is the time up till detection of the motor speed and start of restart control.
- To enable restart operation, set "0" (no coasting time) in Pr. 57 "Restart coasting time". Generally, this setting does not interfere with inverter operation.
- Inverter operation is sometimes hindered by the size of the moment of inertia (J) of the load or running frequency. Adjust this coasting time within the range 0.1 s to 30 s to match the load specification.

Adjustment of restart operation (Pr. 611)

- Using Pr. 611, the acceleration time to reach Pr. 20 "Acceleration/deceleration reference frequency" after a restart operation can be set. This can be set individually from the normal acceleration time.

NOTES

Changing the Pr. 21 "Acceleration/deceleration time increments" setting does not affect the Pr. 611 setting increment.

A PM motor is a motor with interior permanent magnets. Regression voltage is generated when the motor coasts at an instantaneous power failure or at a flying start. The inverter's DC bus voltage rises if the motor coasts fast or makes a flying start in this condition.

When using the automatic restart after instantaneous power failure function (Pr. 57 ≠ "9999"), it is recommended to also use the regenerative avoidance function (Pr. 882 "Regeneration avoidance operation selection" = "1") to make startups stable. If the overvoltage protective function (E.OV□) still occurs with the regeneration avoidance function, also use the retry function (Pr. 67).

During PM motor control, the automatic restart after instantaneous power failure function operates only when an MM-EFS/MM-THE4 IPM motor is connected
When a regeneration unit is used, the frequency search may not be available if the rotation speed is about 10% higher than the rating.

**WARNING:**

- **An IPM motor is a motor with interior permanent magnets. High voltage is generated at motor terminals while the motor is running. Do not touch motor terminals and other parts until the motor stops to prevent an electric shock.**
- **When the automatic restart after instantaneous power failure function is selected, the motor suddenly starts (after reset time passes) when an instantaneous power failure occurs. Stay away from the motor and machinery. Apply the supplied CAUTION stickers to easily visible places when automatic restart after instantaneous power failure has been selected.**

Parameters referred to

Pr. 13	Starting frequency	=>	page 5-115, page 5-117
Pr. 65, Pr. 67 to Pr. 69	Retry function	=>	page 5-164
Pr. 78	Reverse rotation prevention selection	=>	page 5-139
Pr. 178 to Pr. 189	(input terminal function selection)	=>	page 5-285
Pr. 882	Regeneration avoidance operation selection	=>	page 5-560

5.11.13 Offline auto tuning for a frequency search

During V/F control or when driving the IPM motor MM-EFS/MM-THE4, the accuracy of the "frequency search", which is used to detect the motor speed for the automatic restart after instantaneous power failure and flying start, can be improved.

Pr.	Name	Initial value	Setting range	Description
162 A700	Automatic restart after instantaneous power failure selection	0	0 (2)	Frequency search only performed at the first start
			1	Reduced voltage start only at the first start (no frequency search)
			3	Frequency search only performed at the first start (reduced impact restart)
			10 (12)	Frequency search at every start
			11	Reduced voltage start at every start (no frequency search)
			13	Frequency search at every start (reduced impact restart)
298 A711	Frequency search gain	9999	0 to 32767	The offline auto tuning automatically sets the gain required for the frequency search.
			9999	Uses the constant value of Mitsubishi motor (SF-PR, SF-JR, SF-HR, SF-JRCA, SF-HRCA, MM-EFS/MM-THE4 and so on).
560 A712	Second frequency search gain	9999	0 to 32767	The offline auto tuning automatically sets the gain required for the frequency search of the second motor.
			9999	Uses the constant value of Mitsubishi motor (SF-PR, SF-JR, SF-HR, SF-JRCA, SF-HRCA, MM-EFS/MM-THE4 and so on).
96 C110	Auto tuning setting/status	0	0	No offline auto tuning.
			1, 101	Perform offline auto tuning for the Advanced magnetic flux vector control. (Refer to page 5-45.)
			11	Performs offline auto tuning without rotating the motor (V/F control, PM motor control (IPM motor MM-EFS/MM-THE4)).
90 C120	Motor constant (R1)	9999	0 to 50 Ω, 9999 ^①	Tuning data (The value measured by offline auto tuning is automatically set.) 9999: Uses the constant value of Mitsubishi motor (SF-PR, SF-JR, SF-HR, SF-JRCA, SF-HRCA, MM-EFS/MM-THE4 and so on).
			0 to 400 mΩ, 9999 ^②	
463 C210	Second motor auto tuning setting/status	0	0	No auto tuning for the second motor.
			1, 101	Performs offline auto tuning for the second motor.
			11	Performs offline auto tuning without rotating the motor (for IPM motor MM-EFS/MM-THE4).
458 C220	Second motor constant (R1)	9999	0 to 50 Ω, 9999 ^①	Tuning data of the second motor (same as Pr. 90)
			0 to 400 mΩ, 9999 ^②	

① For the FR-F820-02330(55K) or lower and FR-F840-01160(55K) or lower.

② For the FR-F820-03160(75K) or higher and FR-F840-01800(75K) or higher.

Offline auto tuning when performing a frequency search by V/F control (reduced impact restart)

When the frequency search (reduced impact restart) is selected by setting Pr. 162 "Automatic restart after instantaneous power failure selection" = "3 or 13", perform offline auto tuning.

Before executing offline auto tuning

Check the following points before performing offline auto tuning:

- V/F control or PM motor control (IPM motor MM-EFS/MM-THE4) is selected.
- A motor is connected. (The motor should not be rotated by the external force applied from outside during the tuning.)
- The motor with the rated motor current equal to or less than the inverter rated current is used. (It must be 0.4 kW or higher.)
If a motor with substantially low rated current compared with the inverter rated current is used, speed and torque accuracies may deteriorate due to torque ripples, etc. Set the rated motor current to about 40% or higher of the inverter rated current.
- The target motor is other than a high-slip motor, a high-speed motor, or a special motor.
- The motor may run slightly without actually turning during offline auto-tuning (Pr. 96 "Auto tuning setting/status" = "11"), so either firmly secure the motor by the mechanical brake or check to see if turning the motor will cause any safety problems. (Attention is required for lifts, in particular.) The motor turning slightly will not affect tuning performance.
- Offline auto tuning is not performed correctly when the surge voltage suppression filter (FR-ASF-H/FR-BMF-H) and sine wave filter (MT-BSL/BSC) are inserted between the inverter and motor. Be sure to remove them before performing tuning.

Setting

- ① Set Pr. 96 "Auto tuning setting/status" = "11".
- ② Set the rated motor current (initial value is inverted rated current) to Pr. 9 "Electronic thermal O/L relay". (Refer to page 5-150.)
- ③ Set Pr. 71 "Applied motor" according to the motor to be used.

Motor		Pr. 71 setting
Mitsubishi standard motor Mitsubishi high-efficiency motor	SF-JR and SF-TH	0 (3, 4)
	SF-JR 4P 1.5 kW or lower	20 (23, 24)
	SF-HR	40 (43, 44)
	Others	0 (3, 4)
Mitsubishi constant-torque motor	SF-JRCA 4P SF-TH (constant-torque)	1 (13, 14)
	SF-HRCA	50 (53, 54)
	Other (SF-JRC, etc.)	1 (13, 14)
Mitsubishi high-performance energy-saving motor	SF-PR	70 (73, 74)
Mitsubishi IPM motor	MM-EFS (1500 r/min specification)/MM-THE4	210 (213, 214)
	MM-EFS (3000 r/min specification)	240 (243, 244)
Other manufacturer's standard motor	—	0 (3, 4)
Other manufacturer's constant-torque motor	—	1 (13, 14)

Tab. 5-205: Motor selection

Performing tuning**NOTE**

Before performing tuning, check the monitor display of the operation panel or the parameter unit if the inverter is in the state ready for tuning. Turning ON the start command while tuning is unavailable starts the motor.

- In the PU operation mode, press FWD/REV key on the operation panel.
For External operation, turn ON the start command (STF signal or STR signal). Tuning will start. (At this time, excitation noise occurs.)

NOTES

It takes about 10 seconds for tuning to complete. (The time depends on the inverter capacity and motor type.)

Satisfy the required inverter start conditions to start offline auto tuning. For example, stop the input of MRS signal.

To force tuning to end, use the MRS or RES signal or press STOP/RESET key on the operation panel. (Turning the start signal (STF signal or STR signal) OFF also ends tuning.)

During offline auto tuning, only the following I/O signals are valid (initial value):

- Input terminals <valid signals> STP (STOP), OH, MRS, RT, RES, STF, STR, S1 and S2
- Output terminals: RUN, OL, IPF, FM/CA, AM, A1B1C1 and SO

When the rotation speed and the output frequency are selected for terminals FM/CA and AM, the progress status of offline auto tuning is output in fifteen steps from FM/CA and AM.


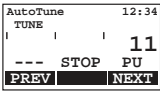
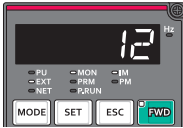
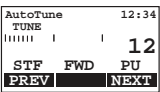
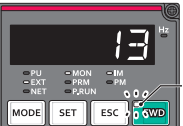
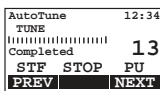
During execution of offline auto tuning, do not switch the second function selection signal (RT) ON or OFF. Auto tuning is not executed properly.

Since the RUN signal turns ON when tuning is started, caution is required especially when a sequence which releases a mechanical brake by the RUN signal has been designed

When executing offline auto tuning, input the run command after switching ON the main circuit power (R/L1, S/L2, T/L3) of the inverter.

While Pr. 79 "Operation mode selection" = "7", turn the PU operation external interlock (X12) signal ON to tune in the PU operation mode.

- Monitor is displayed on the operation panel during tuning as below.

Status	Operation panel (FR-DU08) display	LCD operation panel (FR-LU08) display
Setting		
Tuning in progress		
Normal end	 Flickering	

Tab. 5-206: Display during tuning (monitor display)

- When offline auto tuning ends, press STOP/RESET key on the operation panel during PU operation. For External operation, turn OFF the start signal (STF signal or STR signal).
- This operation resets the offline auto tuning, and the PU's monitor display returns to the normal indication.
- (Without this operation, next operation cannot be started.)
- At tuning completion, the tuning results are set in the following parameters:

Parameter	Name
90	Motor constant (R1)
298	Frequency search gain
96	Auto tuning setting/status

Tab. 5-207: Set parameters

NOTE

The motor constants measured once in the offline auto tuning are stored as parameters and their data are held until the offline auto tuning is performed again. However, the tuning data is cleared when performing all parameter clear.

- If offline auto tuning has ended in error (see the table below), motor constants are not set. Perform an inverter reset and restart tuning.

Error display	Error cause	Countermeasures
8	Forced end	Set "11" to Pr. 96 and retry.
9	Inverter protective function operation	Make the setting again.
91	The current limit (stall prevention) function is activated.	Set the acceleration/deceleration time longer. Set Pr. 156 "Stall prevention operation selection" = "1".
92	The converter output voltage fell to 75% of the rated value.	Check for the power supply voltage fluctuation.
93	Calculation error The motor is not connected.	Check the motor wiring and make the setting again.
94	Rotation tuning frequency setting error (The frequency command for the tuning was given to exceed the maximum frequency setting, or to be in the frequency jump range.)	Check the Pr. 1 "Maximum frequency" and Pr. 31 to Pr. 36 Frequency jump settings.

Tab. 5-208: Error display

- When tuning is ended forcibly by pressing STOP/RESET key or turning OFF the start signal (STF or STR) during tuning, offline auto tuning does not end properly. (The motor constants have not been set.)
- Perform an inverter reset and restart tuning.
- If using a motor falling under the following conditions, set the value of Pr. 9 "Electronic thermal O/L relay" as shown below after tuning is complete.
 - If the rated power supply of the motor is 200/220 V(400/440 V) 60 Hz, set the rated motor current multiplied by 1.1 in Pr. 9.
 - For a motor with a PTC thermistor, thermal protector or other thermal detection, set "0" (motor overheat protection by inverter invalid) in Pr. 9 to protect the motor from overheating.

NOTES

- An instantaneous power failure occurring during tuning will result in a tuning error. After power is restored, the inverter goes into the normal operation. Therefore, when STF (STR) signal is ON, the motor runs in the forward (reverse) rotation.
- Any alarm occurring during tuning is handled as in the normal operation. Note that even if a retry operation has been set, retry is not performed.
- The set frequency monitor displayed during the offline auto tuning is 0 Hz.

Tuning the second applied motor (Pr. 463)

- When performing operation where two motors are switched between one inverter, set the second motor in Pr. 450 "Second applied motor", set Pr. 463 "Second motor auto tuning setting/status" = "11", and perform tuning of the second motor.
- Turning ON the RT signal will enable the parameter settings for the second motor as shown below.

Function	RT signal ON (second motor)	RT signal OFF (first motor)
Motor constant (R1)	Pr. 458	Pr. 90
Auto tuning setting/status	Pr. 463	Pr. 96
Frequency search gain	Pr. 560	Pr. 298

Tab. 5-209: Turn on the RT signal to enable the parameters for the second motor

NOTES

The RT signal is assigned to the terminal RT in the initial status. Set "3" in any of Pr. 178 to Pr. 189 (input terminal function selection) to assign the RT signal to another terminal.

Changing the terminal assignment using Pr. 178 to Pr. 189 (input terminal function selection) may affect the other functions. Set parameters after confirming the function of each terminal.

**CAUTION:**

- **Note that the motor may start running suddenly.**
- **For the offline auto tuning in vertical lift applications, etc., caution is required to avoid falling due to insufficient torque.**

Parameters referred to

Pr. 9	Electronic thermal O/L relay	=>	page 5-150
Pr. 65, Pr. 67 to Pr. 69	Retry function	=>	page 5-164
Pr. 71	Applied motor	=>	page 5-297
Pr. 79	Operation mode selection	=>	page 5-119
Pr. 156	Stall prevention operation selection	=>	page 5-180
Pr. 178 to Pr. 189	(input terminal function selection)	=>	page 5-285

5.11.14 Power failure time deceleration-to-stop function

At instantaneous power failure or undervoltage, the motor can be decelerated to a stop or to the set frequency for the re-acceleration.

Pr.	Name	Initial value		Setting range	Description
		FM	CA		
261 A730	Power failure stop selection	0		0	Power failure time deceleration-to-stop function disabled
				1, 2, 11, 12, 21, 22	Power failure time deceleration-to-stop function enabled Select action at an undervoltage or when a power failure occurs.
262 A731	Subtracted frequency at deceleration start	3 Hz		0 to 20 Hz	Normally, the motor runs at the initial value as it is. However, adjust to suit the size of the load specification (moment of inertia, torque).
263 A732	Subtraction starting frequency	60 Hz	50 Hz	0 to 590 Hz	When output frequency \geq Pr. 263 The motor decelerates from the "output frequency - Pr. 262" When output frequency $<$ Pr. 263 Deceleration from the output frequency
				9999	The motor decelerates from the "output frequency - Pr. 262".
264 A733	Power-failure deceleration time 1	5 s		0 to 3600	Set the slope applicable from the deceleration start to the Pr. 266 set frequency.
265 A734	Power-failure deceleration time 2	9999		0 to 3600	Set the slope applicable for the frequency range starting at Pr. 266 and downward.
				9999	Same as Pr. 264.
266 A735	Power failure deceleration time switchover frequency	60 Hz	50 Hz	0 to 590 Hz	Set the frequency at which the slope during deceleration switches from the Pr. 264 setting to the Pr. 265 setting.
294 A785	UV avoidance voltage gain	100%		0 to 200%	Adjust the response at undervoltage avoidance operation. Setting a large value improves the response to changes in the bus voltage.
668 A786	Power failure stop frequency gain	100%		0 to 200%	Adjust the response level for the operation where the deceleration time is automatically adjusted.
606 T722	Power failure stop external signal input selection	1		0	Normally open input (NO contact input specification)
				1	Normally closed input (NC contact input specification)

Connection and parameter setting

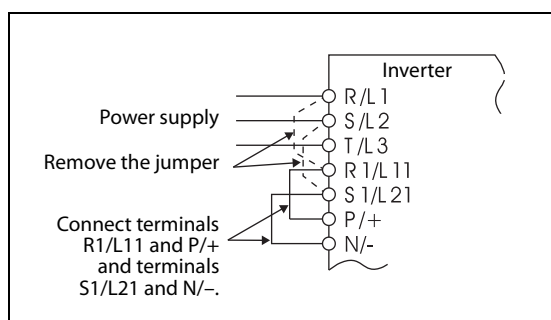


Fig. 5-212:
Connection of the standard model

I001172E

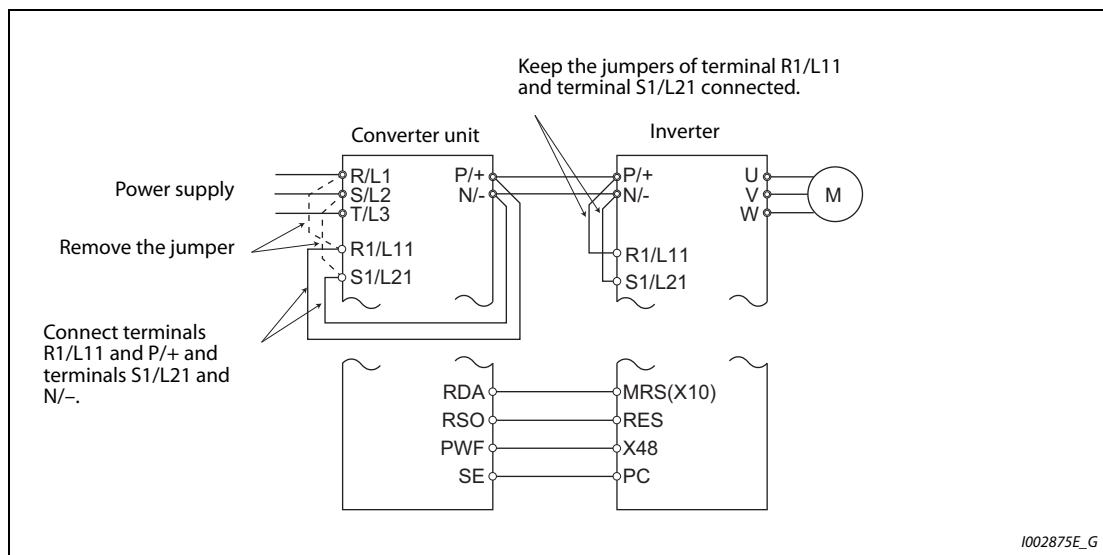


Fig. 5-213: Connection of the separated converter type inverter

- For the standard model, remove the jumpers between terminals R/L1 and R1/L11 and terminals S/L2 and S1/L21, and connect terminals R1/L11 and P/+ and terminals S1/L21 and N/-.
- If an undervoltage, power failure or input phase loss occurs when Pr. 261 "Power failure stop selection" \neq "0", the motor decelerates to a stop.
- The power failure time deceleration stop function operates as follows at an input phase loss.

Pr. 261	Pr. 872	Operation when an input phase loss occurs
0	0	Continuous operation
	1	Input phase loss (E.ILT)
1, 2	0	Continuous operation
	1	Deceleration stop
21, 22	—	Deceleration stop

Tab. 5-210: Operation at input phase loss depending on Pr. 261 and Pr. 872

- For the separated converter type, remove the jumpers between terminals R/L1 and R1/L11 and terminals S/L2 and S1/L21 of the converter unit, and connect terminals R1/L11 and P/+ and terminals S1/L21 and N/-. Do not remove the jumpers of terminal R1/L11 and terminal S1/L21 of the inverter. (In the initial status of the separated converter type, terminals P/+ and R1/L11 and terminals N/- and S1/L21 are connected.)
- For the separated converter type, connect the terminal to which PWF signal of the converter unit is assigned and the terminal to which X48 signal of the inverter is assigned. Also, set Pr. 261 of the converter unit in accordance with the inverter setting. (Refer to the Instruction Manual of the converter unit.)

Outline of operation of deceleration stop at a power failure

- If an undervoltage or power failure occurs, the output frequency is turned OFF only for the frequency set to Pr. 262 "Subtracted frequency at deceleration start".
- The motor decelerates for the time set to Pr. 264 "Power-failure deceleration time 1". (The deceleration time setting is the time it takes for the motor to stop from Pr. 20 "Acceleration/deceleration reference frequency".)
- Change the deceleration time (slope) to the stop using Pr. 265 "Power-failure deceleration time" 2 when the frequency is too low to obtain the regenerative energy or in other instances.

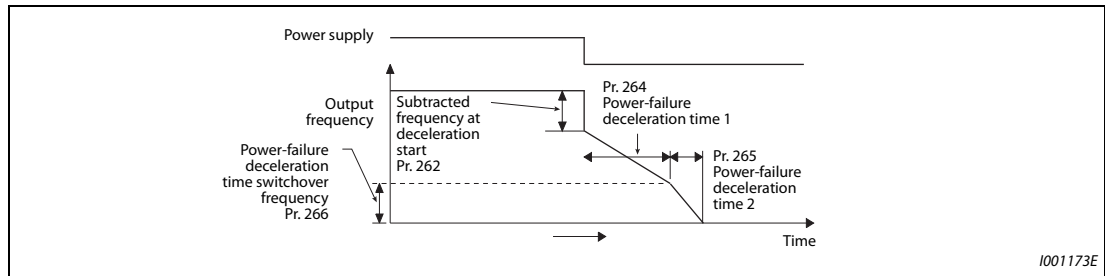


Fig. 5-214: Parameters for stop selection at power failure

Action setting at undervoltage and power failure

- Set Pr. 261 to select the action at an undervoltage and power failure.

Pr. 261 Setting	Action at undervoltage and power failure	Power restoration during deceleration at occurrence of power failure	Deceleration stop time	Undervoltage avoidance function
0	Coasts to stop	Coasts to stop	—	—
1	Deceleration stop	Deceleration stop	According to Pr. 262 to Pr. 266 setting	Not used
2		Re-acceleration		Not used
11		Deceleration stop		With
12		Re-acceleration		With
21		Deceleration stop	Automatic adjustment of deceleration time	Not used
22		Re-acceleration		Not used

Tab. 5-211: Setting of Pr. 261

Power failure stop function (Pr. 261 = "1, 11, 21")

Even if power is restored during deceleration triggered by a power failure, deceleration stop is continued after which the inverter stays stopped. To restart operation, turn the start signal OFF then ON again.

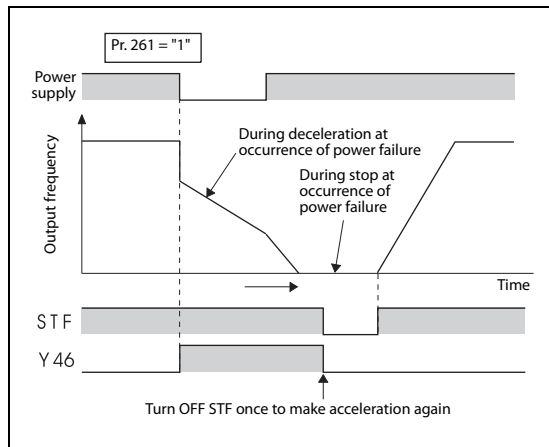
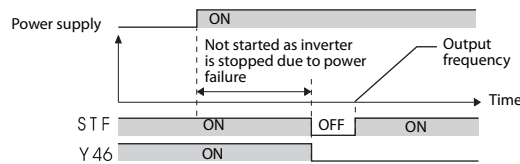


Fig. 5-215:
Power restoration

I001174E

NOTES

If the automatic restart after instantaneous power failure is selected (Pr. 57 "Restart coasting time" \neq "9999") while the power failure time deceleration-to-stop function is set enabled (Pr. 261 = "1, 11, or 21"), the power failure time deceleration-to-stop function is disabled.



When the power failure time deceleration-to-stop function is enabled (Pr. 261 = "1, 11, 21"), the inverter will not start even if the power is turned ON or inverter reset is performed with the start signal (STR/STF) ON. Turn OFF the start signal once and then ON again to make a start.

Continuous operation function at instantaneous power failure (Pr. 261 = "2, 12, 22")

- The motor re-accelerates to the set frequency if the power restores during the deceleration to stop.
- Combining with the automatic restart after instantaneous power failure function enables a power failure time deceleration stop and re-acceleration at a power restoration.
If the power is restored after stoppage by a power failure, a restart operation is performed when automatic restart after instantaneous power failure (Pr. 57 ≠ "9999") is selected.

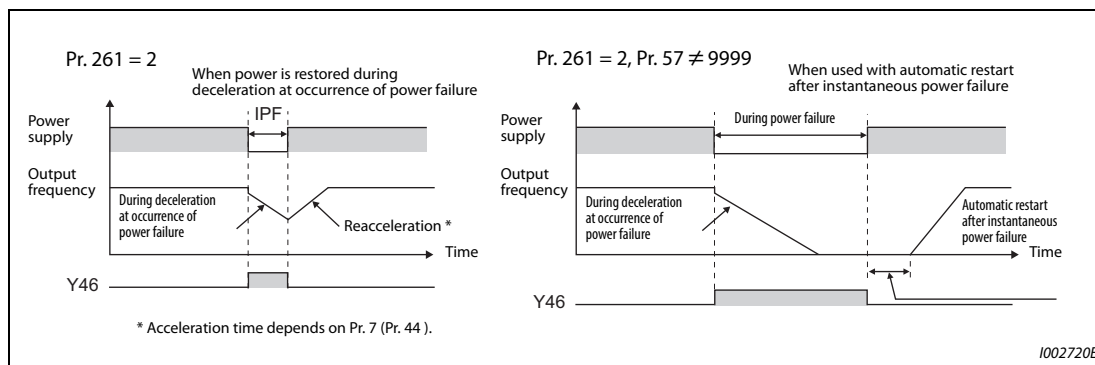


Fig. 5-216: Operation continuation at instantaneous power failure

Undervoltage avoidance function (Pr. 261 = "11, 12", Pr. 294)

- If "11, 12" is set to Pr. 261, the deceleration time is adjusted (shortened) to prevent an undervoltage from occurring during deceleration at occurrence of power failure.
- Adjust the downward frequency slope and the response level using Pr. 294 "UV avoidance voltage gain". Setting a large value improves the response to the bus voltage.

Automatic adjustment of deceleration time (Pr. 261 = "21, 22", Pr. 294, Pr. 668)

- When "21, 22" is set to Pr. 261, the deceleration time is automatically adjusted to keep (DC bus) voltage constant in the converter when the motor decelerates to a stop at a power failure. Setting of Pr. 262 to Pr. 266 is not required.
- If a phenomenon such as motor vibration occurs during operation of the deceleration time automatic adjustment function, adjust the response level by setting the Pr. 668 "Power failure stop frequency gain". Increasing the setting improves the response to change in the bus voltage. However, the output frequency may become unstable.
- If setting Pr. 294 "UV avoidance voltage gain" lower does not suppress the vibration, set Pr. 668 lower.

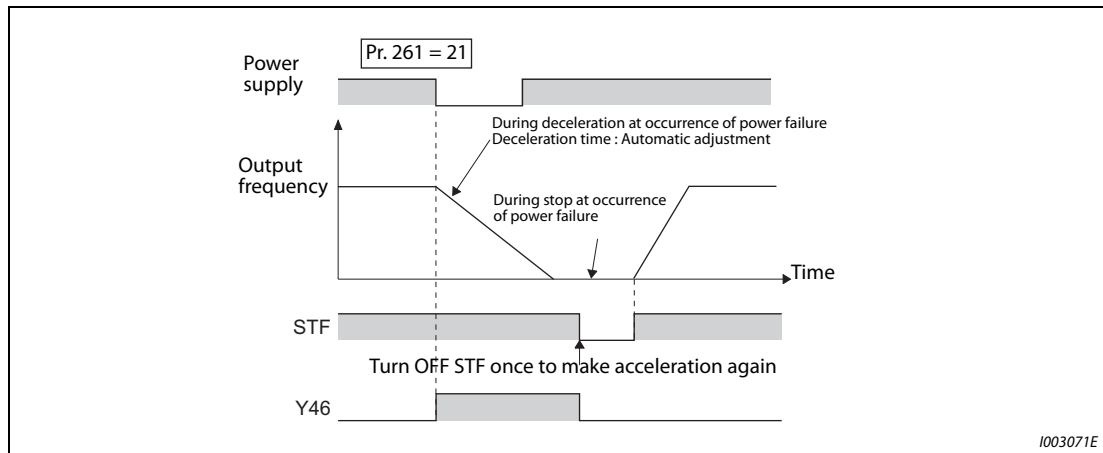


Fig. 5-217: Automatic adjustment of deceleration time

Deceleration stop by the power failure stop external signal (X48)

- By turning OFF X48 signal, the power failure time deceleration-to-stop function is activated. This function is used, for example, when an external power failure detection circuit is installed.
- To use the power failure time deceleration-to-stop function for the separated converter type, use X48 signal. Connect the terminal to which PWF signal of the converter unit is assigned and the terminal to which X48 signal of the inverter is assigned.
- In the initial setting, X48 signal is used with the normally closed (NC contact) input specification. Use Pr. 606 "Power failure stop external signal input selection" to change the specification to the normally open (NO contact) input.
- To use the X48 signal, set "48" in any of Pr. 178 to Pr. 189 (Input terminal function selection) to assign the function to an input terminal.

During deceleration at occurrence of power failure signal (Y46)

- After deceleration by a power failure, the inverter is not restarted even though the start command is input. Check the during deceleration at occurrence of power failure signal (Y46) at a power failure. (for example, when input phase loss protection (E.I.LF) occurs)
- The Y46 signal is turned ON during deceleration at occurrence of power failure and in a stop status after deceleration at a power failure.
- For the Y46 signal, assign the function by setting "46 (positive logic)" or "146 (negative logic)" in any of Pr. 190 to Pr. 196 (Output terminal function selection).

Power failed signal (Y67 signal)

- Y67 signal turns ON when the output is shut off due to detection of power failure (power supply fault) or undervoltage, or the power failure time deceleration-to-stop function is activated.
- To use the Y67 signal, assign the function by setting "67 (positive logic)" or "167 (negative logic)" in any of Pr. 190 to Pr. 196 (output terminal function selection).

NOTES

When "2" is set to Pr. 30 "Regenerative function selection" (for instance, when FR-HC2, FR-CV is used), the deceleration-to-stop function is invalid at a power failure.

If the "output frequency – Pr. 262" at undervoltage or at power failure is a negative value, it is regarded as 0 Hz. (DC injection brake operation is performed without deceleration.)

The power failure time deceleration stop function is disabled during a stop or when the breaker is tripped.

The Y46 signal turns ON if an undervoltage occurs even if a deceleration at a power failure has not occurred. For this reason, the Y46 signal is sometimes output instantaneously when the power supply is turned OFF. This is not a fault.

When the power failure time deceleration-to-stop function is selected, undervoltage protection (E.UVT), instantaneous power failure protection (E.IPF) and input phase loss protection (E.ILF) are not invalid.

When the load is high during PM motor control, an undervoltage sometimes causes the inverter to coast to a stop.

Changing the terminal assignment using Pr. 178 to Pr. 189 (input terminal function selection) or Pr. 190 to Pr. 196 (output terminal function selection) may affect the other functions. Set parameters after confirming the function of each terminal.

**CAUTION:**

- ***Even if the power failure time deceleration stop function is set, some loads might cause the inverter to trip and the motor to coast.***
- ***The motor will coast if sufficient regenerative power is not obtained from the motor.***

Parameters referred to			
Pr. 12	DC injection brake operation voltage	=>	page 5-545
Pr. 20	Acceleration/deceleration reference frequency	=>	page 5-102
Pr. 21	Acceleration/deceleration time increments	=>	page 5-102
Pr. 30	Regenerative function selection	=>	page 5-552
Pr. 57	Restart coasting time	=>	page 5-415, page 5-423
Pr. 190 to Pr. 196	(output terminal function selection)	=>	page 5-231
Pr. 872	Input phase loss protection selection	=>	page 5-163

5.11.15 PLC function

The inverter can be run in accordance with a sequence program.

In accordance with the machine specifications, a user can set various operation patterns: inverter movements at signal inputs, signal outputs at particular inverter statuses, and monitor outputs, etc.

Pr.	Name	Initial value	Setting range	Description	
414 A800	PLC function operation selection	0	0	PLC function disabled	
			1	PLC function enabled The SQ signal is enabled by input from a command source (external input terminal/communication).	
			2		The SQ signal is enabled by input from an external input terminal.
415 A801	Inverter operation lock mode setting	0	0	The inverter start command is enabled regardless of the operating status of the sequence program.	
			1	The inverter start command is enabled only while the sequence program is running.	
416 A802	Pre-scale function selection	0	0 to 5 Unit scale factor 0: No function 1: × 1 2: × 0.1 3: × 0.01 4: × 0.001 5: × 0.0001	When the pulse train is input from terminal JOG, the number of sampled pulses can be converted. The result of conversion is stored to SD1236. "Number of sampled pulses" = "input pulse value per count cycle" × "pre-scale setting value (Pr. 417)" × "unit scale factor (Pr. 416)"	
417 A803	Pre-scale setting value	1	0 to 32767	Pre-scale setting value	
498 A804	PLC function flash memory clear	0	0, 9696 (0 to 9999)	0: Clears the flash memory fault display (no operation after writing while the flash memory is in normal operation).	Write
				9696: Clears the flash memory (no operation Write after writing during flash memory fault).	
				Other than 0 and 9696: Outside of the setting range	
				0: Normal display	Read
				1: The flash memory has not been cleared because the PLC function is enabled.	
9696: During flash memory clearing operation or flash memory fault					
1150 to 1199 A810 to A859	User parameters 1 to 50	0	0 to 65535	Desired values can be set. Because devices D206 to D255 used by the PLC function can be mutually accessed, the values set to Pr. 1150 to Pr. 1199 can be used by the sequence program. The result of performing calculation by a sequence program can also be monitored by Pr. 1150 to Pr. 1199.	

Outline of PLC function

- To enable the PLC function, set "1" or "2" in Pr. 414 "PLC function operation selection". When "2" is set in Pr. 414, the sequence startup (SQ) signal from the external input terminal is valid regardless of the setting of the Pr. 338 "Communication operation command source". (The Pr. 414 setting change becomes valid after inverter reset.)
- Switch the execution key (RUN/STOP) of the sequence program by turning the SQ signal ON/OFF. The sequence program can be executed by turning the SQ signal ON. To input the SQ signal, set "50" in any of Pr. 178 to Pr. 189 (input terminal function selection) to assign the function to a terminal.
- When "1" is set in Pr. 415 "Inverter operation lock mode setting", the inverter can be operated only when the sequence program is running. By changing the PLC program status from RUN to STOP during inverter operation, the motor decelerates to stop.
To stop the inverter operation at the STOP status of the PLC program while performing auto operation using SD1148 (or SM1200 to 1211) of the PLC program, set Pr. 415 = "1".
- For reading or writing sequence programs, use FR Configurator2 on the personal computer connected to the inverter via RS-485 communication or USB. (When Pr. 414 ≠ "0", sequence programs can be read from or written to FR Configurator2.)

NOTE

For the details of the PLC function, refer to the PLC Function Programming Manual and the Instruction Manual of FR Configurator2.

Copying the PLC function project data to USB memory

- This function copies the PLC function project data to a USB memory device. The PLC function project data copied in the USB memory device can be copied to other inverters. This function is useful in backing up the parameter setting and for allowing multiple inverters to operate by the same sequence programs.
- Refer to page 2-68 for an outline of the USB communication function.

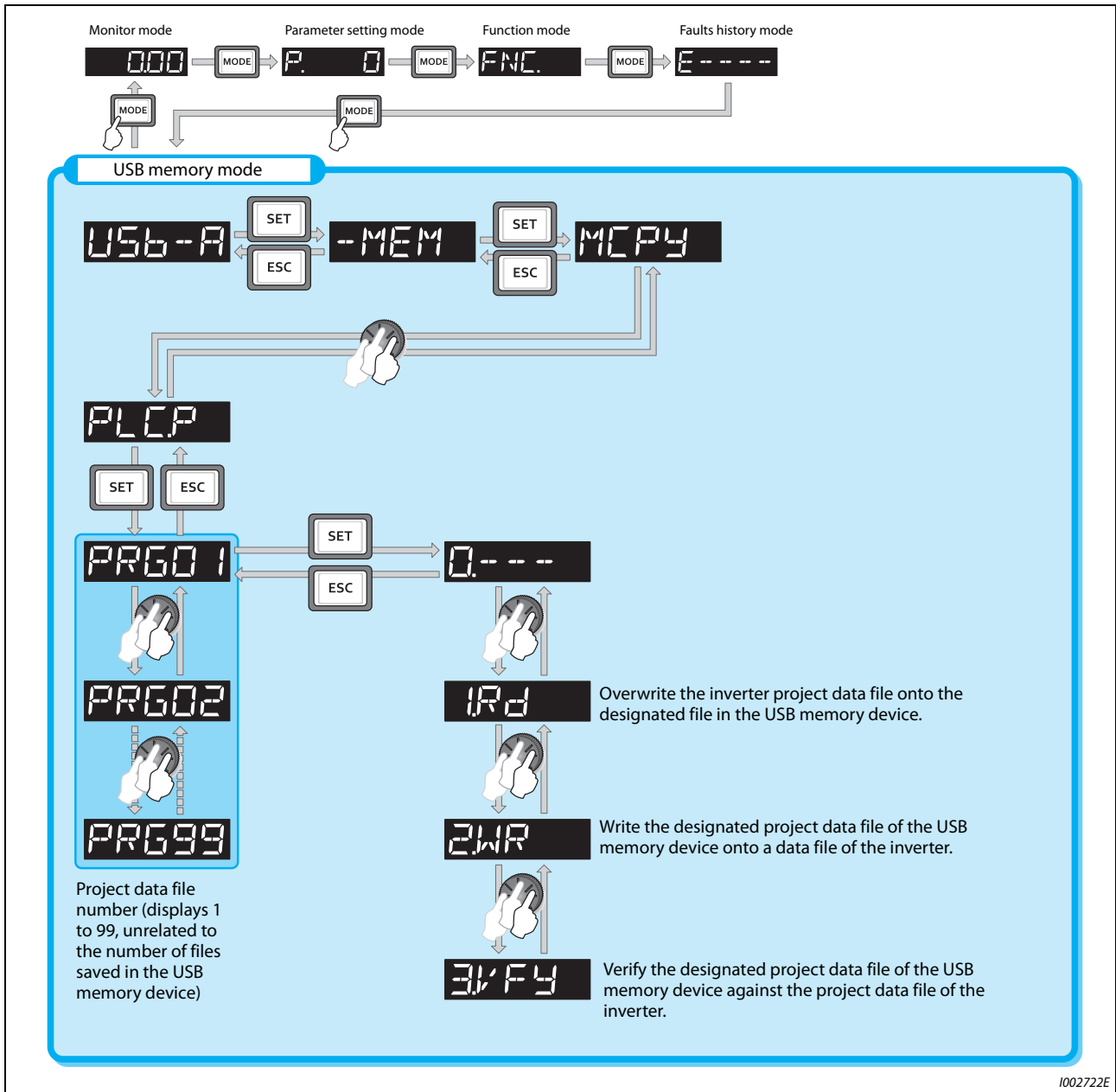


Fig. 5-218: Copying the PLC function project data to USB memory

1002722E

- The following data can be copied by copying the project data via USB memory.

Extension	File type	Copy from inverter to USB memory	Copy from USB memory to inverter
.QPA	Parameter file	Supported	Supported
.QPG	Program file	Supported	Supported
.C32	Function block source information	Supported	Supported
.QCD	Global text comment information	Supported	Supported
.DAT	Project management information	Supported	Not available
.TXT	Copy information	Supported	Not available

Tab. 5-212: Data, that can be copied

NOTE

If the project data of the PLC function is locked with a password using FR Configurator2, copying to the USB memory device and verification are disabled. Also if set to write-disabled, writing to the inverter is disabled. For the details of the PLC function, refer to the PLC Function Programming Manual and the Instruction Manual of FR Configurator2.

Parameters referred to			
Pr. 338	Communication operation command source	=>	page 5-130

5.11.16 Trace function

- The operating status of the inverter can be traced and saved on a USB memory device.
- Saved data can be monitored by FR Configurator2, and the status of the inverter can be analysed.

Pr.	Name	Initial value	Setting range	Description
1020 A900	Trace operation selection	0	0	Without trace operation
			1	Sampling start
			2	Forced trigger
			3	Sampling stop
			4	Transfer of data to USB memory device
1021 A901	Trace mode selection	0	0	Memory mode
			1	Memory mode (automatic transfer)
			2	Recorder mode
1022 A902	Sampling cycle	2	0 to 9	Set the sampling cycle. 0: 0.125 ms, 1: 0.252 ms, 2: 1 ms, 3: 2 ms, 4: 5 ms, 5: 10 ms, 6: 50 ms, 7: 100 ms, 8: 500 ms, 9: 1 s (Regarding the setting value "0 and 1", the cycle varies by the control mode.)
1023 A903	Number of analog channels	4	1 to 8	Select the number of analog channels to be sampled.
1024 A904	Sampling auto start	0	0	Manual sampling start
			1	Sampling starts automatically when the power supply is turned ON or at a reset
1025 A905	Trigger mode selection	0	0	Fault trigger
			1	Analog trigger
			2	Digital trigger
			3	Analog or digital trigger (OR logic)
			4	Both analog and digital trigger (AND logic)
1026 A906	Number of sampling before trigger	90%	0 to 100%	Set the percentage of the pre-trigger sampling time with respect to the overall sampling time.
1027 A910	Analog source selection (1ch)	201	1 to 3, 5 to 14, 17, 18, 20, 23, 24, 34, 40 to 42, 52 to 54, 61, 62, 64, 67 to 69, 81 to 96, 98, 201 to 213, 230 to 232, 237, 238	Select the analog data (monitor) to be sampled on each channel.
1028 A911	Analog source selection (2ch)	202		
1029 A912	Analog source selection (3ch)	203		
A1030 A913	Analog source selection (4ch)	204		
1031 A914	Analog source selection (5ch)	205		
1032 A915	Analog source selection (6ch)	206		
1033 A916	Analog source selection (7ch)	207		
1034 A917	Analog source selection (8ch)	208		
1035 A918	Analog trigger channel	1	1 to 8	Select the analog channel to be the trigger.
1036 A919	Analog trigger operation selection	0	0	Sampling starts when the value of the analog monitor exceeds the value set at the trigger level (Pr. 1037)
			1	Sampling starts when the value of the analog monitor falls below the value set at the trigger level (Pr. 1037)
1037 A920	Analog trigger level	1000	600 to 1400	Set the level at which the analog trigger turns ON. The trigger level is the value obtained by subtracting 1000 from the set value.

Pr.	Name	Initial value	Setting range	Description
1038 A930	Digital source selection (1ch)	1	1 to 255	Select the digital data (I/O signal) to be sampled on each channel.
1039 A931	Digital source selection (2ch)	2		
1040 A932	Digital source selection (3ch)	3		
1041 A933	Digital source selection (4ch)	4		
1042 A934	Digital source selection (5ch)	5		
1043 A935	Digital source selection (6ch)	6		
1044 A936	Digital source selection (7ch)	7		
1045 A937	Digital source selection (8ch)	8		
1046 A938	Digital trigger channel	1	1 to 8	Select the digital channel to be the trigger.
1047 A939	Digital trigger operation selection	0	0	Trace starts when the signal turns ON
			1	Trace starts when the signal turns OFF

Operation outline

- This function samples the status (analog monitor and digital monitor) of the inverter, traces the sampling data when a trigger (trace start condition) is generated, and saves the resulting trace data.
- When the trace function is set enabled, samplings are collected and the inverter goes into the pre-trigger status.
- In the pre-trigger status, samples are collected, and the trigger standby status is entered when sufficient samples for the number of pre-trigger samples have been collected.
- When the trigger is generated in the trigger standby status, the trace is started and the trace data is saved.

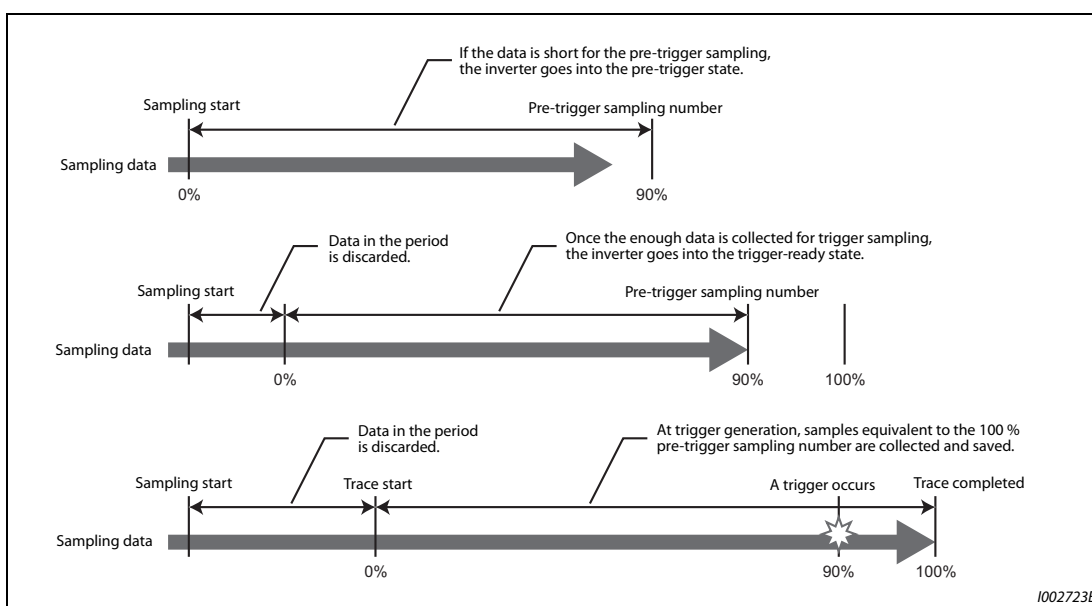


Fig. 5-219: Trace function

Selection of trace mode (Pr. 1021)

- Select how to save the trace data which results from sampling the inverter status.
- There are two trace data save methods, memory mode and recorder mode.

Pr. 1021 setting	Mode	Description
0	Memory mode	In this mode, trace data is saved sequentially to internal RAM on the inverter. If automatic transfer is set, the trace data in internal RAM is transferred to USB memory device when the trigger is being generated.
1	Memory mode (automatic transfer)	Data can be transferred to a USB memory device as long as data is held in internal RAM. Trace data in internal RAM is cleared when the power supply is turned OFF or when the inverter is reset.
2	Recorder mode	In this mode, trace data is saved directly to USB memory device. Sampling data is fixed at eight analog channels and eight digital channels. The sampling cycle in this mode is longer than in the memory mode. (1 ms or longer)

Tab. 5-213: Selection of trace mode**NOTES**

When the trace function is used in the recorder mode, use a USB memory device having at least 1 GB of free space.

Data transferred to USB is saved in the "TRC" folder under the "FR_INV" folder.

Up to 99 sets of trace data can be saved in the USB memory device. When data transfer to USB memory device reaches 99 sets of trace data, data is successively overwritten starting with the older data.

Setting of sampling cycle (interval) and number of sampling channels (Pr. 1022, Pr. 1023)

- Set the sampling cycle (interval).
The shortest cycle in the recorder mode is 1 ms. When the recorder mode is set, sampling is performed at a sampling cycle of 1 ms even if "0, 1" is set to Pr. 1022 "Sampling cycle".
- When the memory mode is set, the number of analog channels to sample can be set in the Pr. 1023 "Number of analog channels". Start setting from the smaller channel number. Up to eight channels can be set. The sampling time becomes shorter the more channels are set.
The number of channels is always 8 when the recorder mode is used or when digital channels are used.
- The sampling time differs according to the sampling cycle and number of sampling channels.

Number of channels	Memory mode sampling time	
	Minimum (Pr. 1022 = "0")	Maximum (Pr. 1022 = "9")
1	213 ms	1704 s
2	160 ms	1280 s
3	128 ms	1024 s
4	106.5 ms	852 s
5	91.8 ms	728 s
6	80.0 ms	640 s
7	71.8 ms	568 s
8	60 ms	512 s

Tab. 5-214: Memory mode sampling time

Analog source (monitored item) selection

- Select the analog sources (monitored items) to be set to Pr. 1027 to Pr. 1034 from the table below.

Setting value	Monitored item ^①	Minus sign display ^②	Trigger level criterion ^③
1	Output frequency/speed		④
2	Output current		④
3	Output voltage		④
5	Frequency setting value/speed setting		④
6	Running speed		④
7	Motor torque		④
8	Converter output voltage		④
9 ^⑤	Regenerative brake duty		④
10	Electronic thermal O/L relay load factor		④
11	Output current peak value		④
12	Converter output voltage peak value		④
13	Input power		④
14	Output power		④
17	Load meter		④
18	Motor excitation current		④
20	Cumulative energization time		65535
23	Actual operation time		65535
24	Motor load factor		④
34	Motor output		④
40	PLC function user monitor 1	○	④
41	PLC function user monitor 2	○	④
42	PLC function user monitor 3	○	④
52	PID set point		④
53	PID measured value		④
54	PID deviation	○	④
61	Motor thermal load factor		④
62	Inverter thermal load factor		④
64	PTC thermistor resistance		Pr. 561
67	PID measured value 2		④
68	Emergency drive status		65535
69	PID input pressure value		④
81	BACnet reception status		65535
82	BACnet token pass counter		65535
83	BACnet valid APDU counter		65535
84	BACnet communication error counter		65535
85	BACnet terminal FM/CA output level		100%
86	BACnet terminal AM output level		100%
87	Remote output value 1	○	④
88	Remote output value 2	○	④
89	Remote output value 3	○	④
90	Remote output value 4	○	④
91	PID manipulated variable	○	④
92	Second PID set point		④
93	Second PID measured value		④
94	Second PID deviation	○	④
95	Second PID measured value 2		④
96	Second PID manipulated variable	○	④
98	Control circuit temperature	○	④
201	* Output frequency (high speed)		Pr. 84
202	* U Phase Output Current	○	⑦
203	* V Phase Output Current	○	⑦
204	* W Phase Output Current	○	⑦
205	* Converter Output Voltage		○
206	* Output Current (all three phases)		⑦
207	* Excitation Current (A)		⑦
208	* Torque Current (A)		⑦
209	Terminal 2		100%
210	Terminal 4		100%
211	Terminal 1	○	100%
212	* Excitation Current (%)	○	100%
213	* Torque Current (%)	○	100%
230	* Output Frequency (signed)	○	Pr. 84
231	* Motor Speed	○	⑥
232	* Speed Command	○	⑥
237	* Excitation Current Command	○	100%
238	* Torque Current Command	○	100%

Tab. 5-215: Analog source (monitored item) selection

- ① "*" shows a monitored item with a high-speed sampling cycle.
- ② "○" shows that the display with a minus sign is available.
- ③ Indicates a criterion at 100% when the analog trigger is set.
- ④ Refer to Terminal FM, CA, AM Full-scale value (page 5-212).
- ⑤ The setting is available only for standard models.
- ⑥ Rated motor frequency × 120 / number of motor poles

⑦ The reference current for the trigger level is as follows:

Model FR-F820-□	Trigger level reference current [A]	Model FR-F840-□	Trigger level reference current [A]	Model FR-F842-□	Trigger level reference current [A]
00046(0.75K)	3	00023(0.75K)	1.5	07700(355K)	610
00077(1.5K)	5	00038(1.5K)	2.5	08660(400K)	683
00105(2.2K)	8	00052(2.2K)	4	09620(450K)	770
00167(3.7K)	11	00083(3.7K)	6	10940(500K)	866
00250(5.5K)	17.5	00126(5.5K)	9	12120(560K)	962
00340(7.5K)	24	00170(7.5K)	12		
00490(11K)	33	00250(11K)	17		
00630(15K)	46	00310(15K)	23		
00770(18.5K)	61	00380(18.5K)	31		
00930(22K)	76	00470(22K)	38		
01250(30K)	90	00620(30K)	44		
01540(37K)	115	00770(37K)	57		
01870(45K)	145	00930(45K)	71		
02330(55K)	175	01160(55K)	86		
03160(75K)	215	01800(75K)	110		
03800(90K)	288	02160(90K)	144		
04750(110K)	346	02600(110K)	180		
		03250(132K)	216		
		03610(160K)	260		
		04320(185K)	325		
		04810(220K)	361		
		05470(250K)	432		
		06100(280K)	481		
		06830(315K)	547		

Tab. 5-216: Reference current for trigger level (FR-F820/F840/F842)

Digital source (monitored item) selection

Select the digital sources (input/output signals) to be set to Pr. 1038 to Pr. 1045 from the table below. When a value other than the below, 0 (OFF) is applied for display.

Setting value	Signal name	Remarks	Setting value	Signal name	Remarks
0	—	—	101	RUN	For the details of the signals, refer to page 5-231.
1	STF	For the details of the signals, refer to page 5-285.	102	SU	
2	STR		103	IPF	
3	AU		104	OL	
4	RT		105	FU	
5	RL		106	ABC1	
6	RM		107	ABC2	
7	RH		121	DO0	For the details of the signals, refer to the Instruction Manual of FR-A8AY (option).
8	JOG		122	DO1	
9	MRS		123	DO2	
10	STP (STOP)		124	DO3	
11	RES	125	DO4		
12	CS	126	DO5		
21	X0	For the details of the signals, refer to the Instruction Manual of FR-A8AX (option).	127	DO6	For the details of the signals, refer to the Instruction Manual of FR-A8AR (option).
22	X1		128	RA1	
23	X2		129	RA2	
24	X3		130	RA3	
25	X4				
26	X5				
27	X6				
28	X7				
29	X8				
30	X9				
31	X10				
32	X11				
33	X12				
34	X13				
35	X14				
36	X15				
37	DY				

Tab. 5-217: Digital source (monitored item) selection

Trigger setting (Pr. 1025, Pr. 1035 to Pr. 1037, Pr. 1046, Pr. 1047)

- Set the trigger generating conditions and trigger target channels.

Pr. 1025 setting	Trigger generating conditions	Selection of trigger target channel
0	Trace starts when inverter enters an fault status (protective function activated)	—
1	Trace starts when analog monitor satisfies trigger conditions	Pr. 1035
2	Trace starts when digital monitor satisfies trigger conditions	Pr. 1046
3	Trace starts when either of analog or digital monitor satisfies trigger conditions (OR)	Pr. 1035, Pr. 1046
4	Trace starts when both of analog or digital monitor satisfies trigger conditions (AND)	Pr. 1035, Pr. 1046

Tab. 5-218: Trigger setting

- Set the trigger generation conditions for the analog monitor.

Pr. 1036 setting	Trigger generation conditions	Trigger level setting
0	Sampling starts when the analog data targeted for the trigger exceeds the value specified at the trigger level	Set the trigger level by Pr. 1037 (-400% to 400%) ^①
1	Sampling starts when the analog data targeted for the trigger has fallen below the value specified at the trigger level	

Tab. 5-219: Trigger generation conditions for the analog monitor

^① For Pr. 1037, set the number obtained by adding 1,000 to the trigger level.






- Set the trigger generation conditions for the digital monitor.

Pr. 1047 setting	Trigger generation conditions
0	Trace starts when the digital data targeted for the trigger turns ON
1	Trace starts when the digital data targeted for the trigger turns OFF

Tab. 5-220: Trigger generation conditions for the digital monitor

Start of sampling and copying of data (Pr. 1020, Pr. 1024)

- Set the trace operation. The trace operation is set by one of two ways, by setting Pr. 1020 "Trace operation selection" and by setting in the trace mode on the operation panel.
- When "1" is set in Pr. 1020, sampling is started.
- When "2" is set in Pr. 1020, a trigger is regarded as having been generated (for instance, a forced trigger), sampling is stopped and the trace is started.
- When "3" is set in Pr. 1020, sampling is stopped.
- When "4" is set in Pr. 1020, the trace data in internal RAM is transferred to a USB memory device. (Trace data cannot be transferred during sampling.)
- To automatically start sampling when the power supply is turned ON or at a recovery after an inverter reset, set "1" to Pr. 1024 "Sampling auto start".

Pr. 1020 setting	Setting by trace mode	Operation
0		Sampling standby
1		Sampling start
2		Forced trigger (sampling stop)
3		Sampling stop
4		Data transmission

Tab. 5-221: Trace mode settings

- Trace operation can also be set in the trace mode on the operation panel.

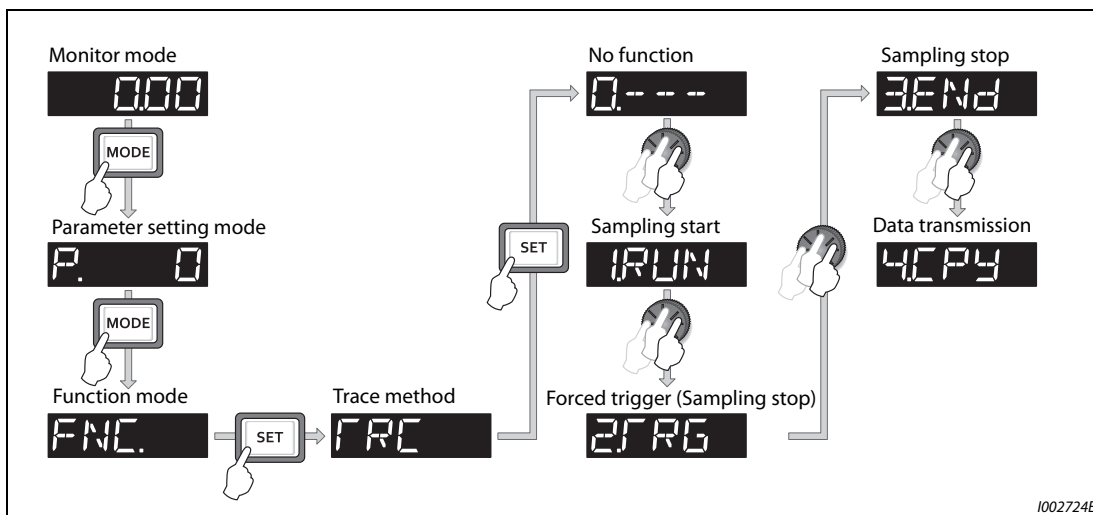


Fig. 5-220: Selection of the trace mode settings

Selection of trace operation by input terminal (TRG signal, TRC signal)

- Trace operation can be selected by signal inputs.
- A forced trigger can be applied when the Trace trigger input (TRG) signal is ON.
- Sampling is started and stopped by the Trace sampling start/end (TRC) signal turning ON and OFF, respectively.
- To input the TRG signal, set "46" in any of Pr. 178 to Pr. 189 (input terminal function selection), and to input the TRC signal, set "47" to assign the function to a terminal.

NOTE

Changing the terminal assignment using Pr. 178 to Pr. 189 (input terminal function selection) may affect the other functions. Set parameters after confirming the function of each terminal.

Monitoring the trace status

- The trace status can be monitored on the operation panel by setting "38" in Pr. 52 "Operation panel main monitor selection"; Pr. 774 to Pr. 776 (Operation panel monitor selection), or Pr. 992 "Operation panel setting dial push monitor selection".

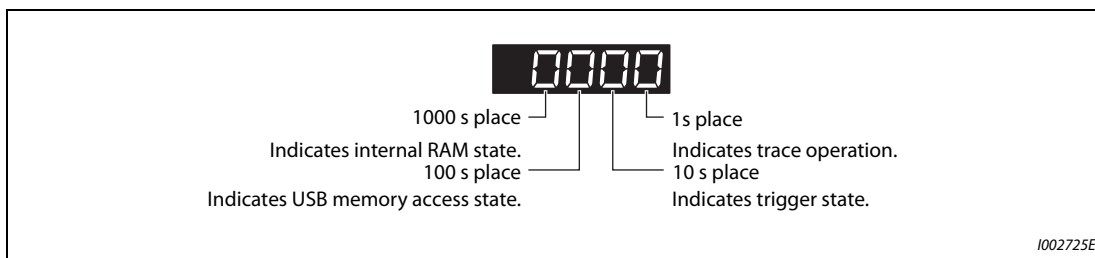


Fig. 5-221: Monitoring the trace status

Monitor value	Trace status			
	1000s place	100s place	10s place	1s place
0 or no display ①	No trace data in internal RAM	USB memory not accessed	Trigger not detected	Trace stopped
1	Trace data in internal RAM	USB memory being accessed	Trigger detected	Trace operation
2	—	USB memory transfer error	—	—
3	—	USB buffer overrun	—	—

Tab. 5-222: Trace status

① The "0(s)" to the left of the leftmost non-zero digit is (are) not shown in the monitor display. For example, if no trace data is in internal RAM, the USB memory is not accessed, no trigger is detected, and the trace operation is performed, "1" appears (not "0001").

- When copying the traced data to a USB memory device, the operating status of the USB host can be checked with the inverter LED. For the overview of the USB communication function, refer to page 2-68.

LED status	Operating status
OFF	No USB connection.
ON	The communication is established between the inverter and the USB device.
Flickering rapidly	Traced data is being transmitted. (In the memory mode, transmission command is being issued. In the recorder mode, sampling is being performed.)
Flickering slowly	Error in the USB connection.

Tab. 5-223: Operating status of the USB host

- During trace operation, the trace status signal (Y40) can be output. To use the Y40 signal, set "40 (positive logic) or 140 (negative logic)" in any of Pr. 190 to Pr. 196 (output terminal function selection) to assign the function to the output terminal.

NOTE

Changing the terminal assignment using Pr. 190 to Pr. 196 (output terminal function selection) may affect the other functions. Set parameters after confirming the function of each terminal.

Parameters referred to			
Pr. 52	Operation panel main monitor selection	=>	page 5-198
Pr. 178 to Pr. 189	(input terminal function selection)	=>	page 5-285

5.12 (N) Operation via communication and its settings

Purpose	Parameter to set			Refer to page
To start operation via communication	Initial setting of operation via communication	P.N000, P.N001, P.N010 to P.N014	Pr. 549, Pr. 342, Pr. 349, Pr. 500 to Pr. 502, Pr. 779	5-459
To operate via communication from PU connector	Initial setting of computer link communication (PU connector)	P.N020 to P.N028	Pr. 117 to Pr. 124	5-467
To operate via communication from RS-485 terminals	Initial setting of computer link communication (RS-485 terminals)	P.N030 to P.N038	Pr. 331 to Pr. 337, Pr. 341	
	MODBUS® RTU communication specification	P.N002, P.N030, P.N031, P.N034, P.N080,	Pr. 539, Pr. 331, Pr. 332, Pr. 334, Pr. 343,	5-488
	BACnet MS/TP protocol	P.N030, P.N031, P.N050 to P.N054	Pr.331, Pr.332, Pr.390, Pr.726 to Pr.729	5-506
To communicate via Ethernet connector (FR-F800-E)	Initial setting of Ethernet communication	P.N600 to P.N603, P.N610 to P.N613, P.N630 to P.N632, P.N641 to P.N644, P.N650, P.N651, P.N660 to P.N666, P.N670 to P.N675	Pr. 1424 to Pr. 1429, Pr. 1431, Pr. 1432, Pr. 1434 to Pr. 1455	5-522
	CC-Link IE Field Network Basic	P.N100, P.N103	Pr. 541, Pr. 544	5-610
Operation via communication using the inverter-to-inverter link function (FR-F800-E)	Inverter-to-inverter link function	P.N681, P.N682	Pr. 1124, Pr. 1125	5-635
To Communicate using USB (FR Configurator2)	USB communication	P.N040, P.N041	Pr. 547, Pr. 548	5-467
To connect a GOT	GOT automatic recognition	P.N020, P.N030	Pr.117, Pr.331	5-532

5.12.1 Wiring and configuration of PU connector

Using the PU connector enables communication operation from a personal computer, etc.

When the PU connector is connected with a personal, FA or other computer by a communication cable, a user program can run and monitor the inverter or read and write to parameters.

PU connector pin-outs

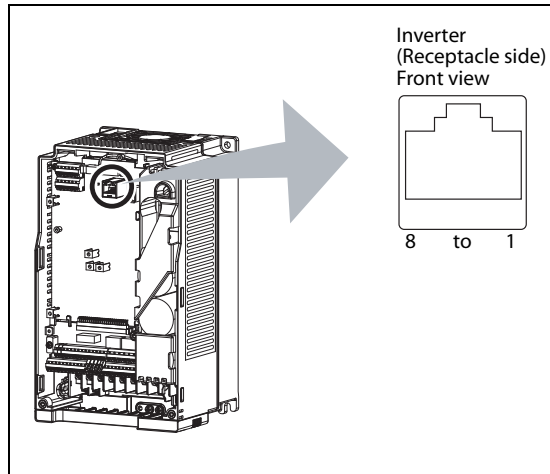


Fig. 5-222:
PU connector pin-outs

1002726E

Pin number	Name	Description
1	SG	Earth (ground) (connected to terminal 5)
2	—	Operation panel power supply
3	RDA	Inverter receive+
4	SDB	Inverter send-
5	SDA	Inverter send+
6	RDB	Inverter receive-
7	SG	Earth (ground) (connected to terminal 5)
8	—	Operation panel power supply

Tab. 5-224: *PU connector (terminal description)*

NOTES

Pins No. 2 and 8 provide power to the operation panel or parameter unit. Do not use these pins during RS-485 communication.

Do not connect the PU connector to the computer's LAN board, FAX modem socket or telephone modular connector. The product could be damaged due to differences in electrical specifications.

Wiring and configuration of PU connector communication system

System configuration

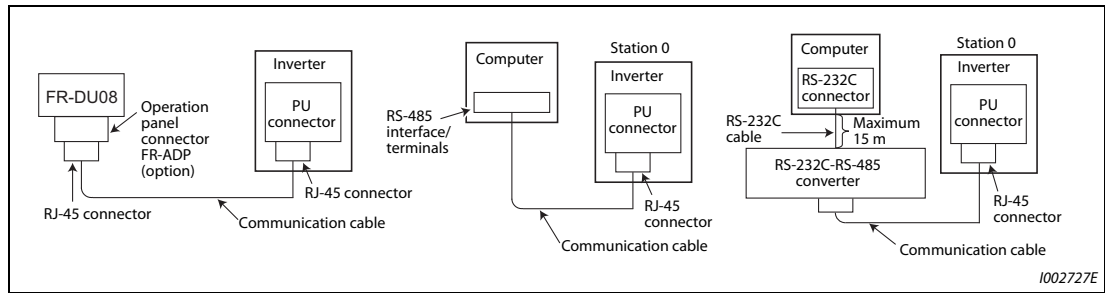


Fig. 5-223: Connecting to the PU connector

● Wiring of computer by RS-485

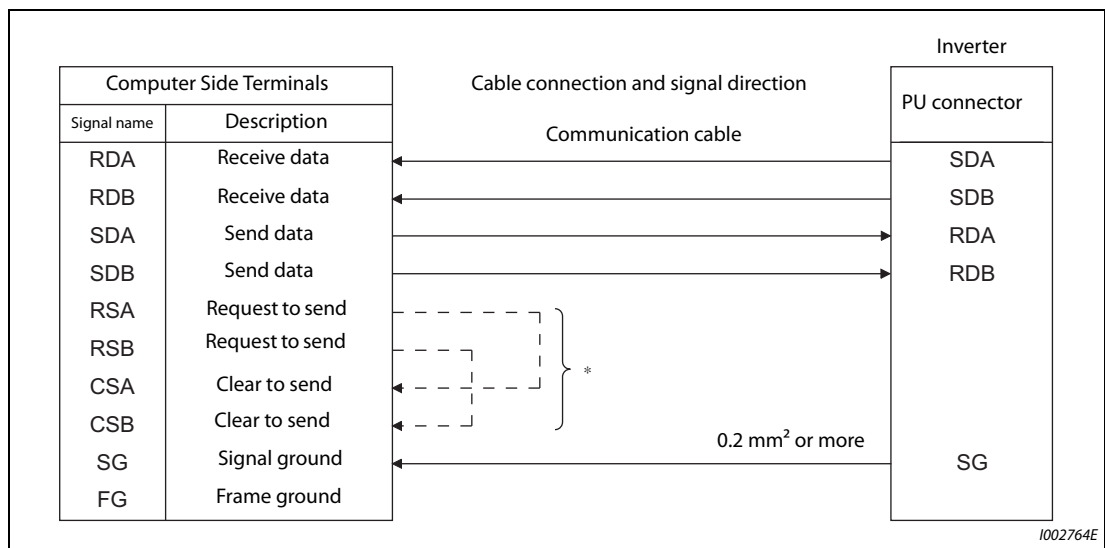


Fig. 5-224: Connection to an inverter

* Make connection in accordance with the Instruction Manual of the computer to be used with. Fully check the terminal numbers of the computer since they vary with the model.

NOTES

When performing RS-485 communication with multiple inverters, use the RS-485 terminals. (Refer to page 5-457.)

Computer-inverter connection cable

Refer to the following for the connection cable (RS-232C ↔ RS-485 converter) between the computer with an RS-232C interface and an inverter.

Commercially available products (as of February 2015)

Model	Manufacturer
Interface embedded cable DAFXIH-CAB (D-SUB25P for personal computer side) DAFXIH-CABV (D-SUB9P for personal computer side) + Connector conversion cable DINV-485CAB (for inverter side) ①	Diatrend Corp.
Interface embedded cable dedicated for inverter DINV-CABV ①	

① The conversion cable cannot connect multiple inverters. (The computer and inverted are connected in a 1:1 pair.) This product is a RS-232C ↔ RS-485 conversion cable that has a built-in converter. No additional cable or connector is required. For the product details, contact the manufacturer.

Refer to the following table when fabricating the cable on the user side.

Commercially available products (as of February 2015)

Name	Model	Manufacturer
Communication cable	SGLPEV-T (Cat5e/300m) 24AWG × 4P ②	Mitsubishi Cable Industries, Ltd.
RJ-45 connector	5-554720-3	Tyco Electronics

② Do not use pins No. 2 and 8 of the communication cable.

5.12.2 Wiring and configuration of RS-485 terminals

RS-485 terminal layout

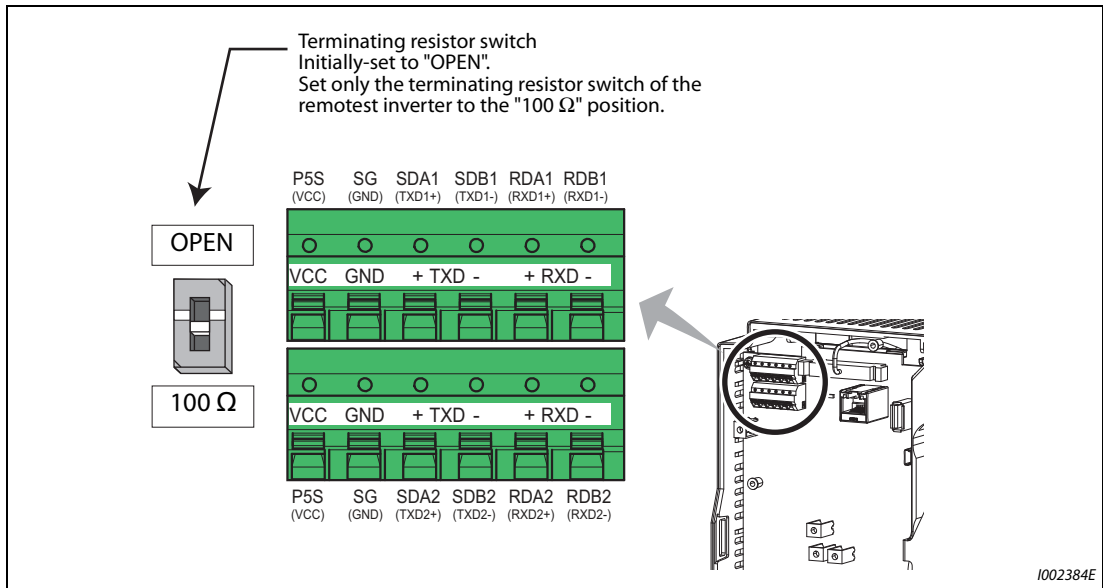


Fig. 5-225: RS-485 terminals layout

Name	Description
RDA1 (RXD1+)	Inverter receive +
RDB1 (RXD1 -)	Inverter receive -
RDA2 (RXD2+)	Inverter receive + (for branch)
RDB2 (RXD2 -)	Inverter receive - (for branch)
SDA1 (TXD1+)	Inverter send +
SDB1 (TXD1-)	Inverter send -
SDA2 (TXD2+)	Inverter send + (for branch)
SDB2 (TXD2 -)	Inverter send -(for branch)
P5S (VCC)	5 V Permissible load current 100 mA
SG (GND)	Earthing (grounding) (connected to terminal SD)

Tab. 5-225: RS-485 terminal description

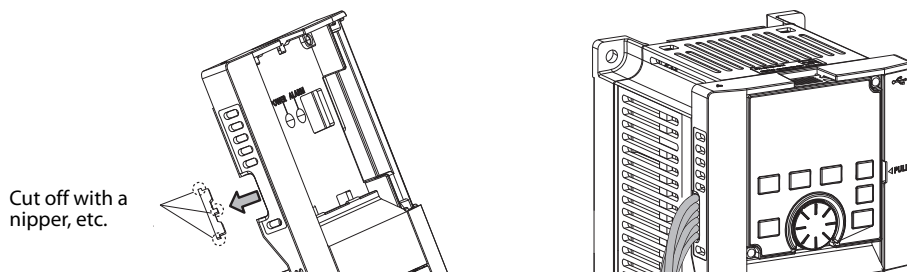
Connection of RS-485 terminals and wires

The size of RS-485 terminal block is the same as the control circuit terminal block. Refer to page 2-53 for the wiring method.

NOTES

To avoid malfunction, keep the RS-485 terminal wires away from the control circuit board.

When the FR-F820-01250(30K) or lower, or the FR-F840-00620(30K) or lower is used with a plug-in option, lead the wires through the hole on the side face of the front cover for wiring of the RS-485 terminals.



When the FR-F820-01540(37K) or higher, or the FR-F840-00770(37K) or higher is used with a plug-in option, lead the wires on the left side of the plug-in option for wiring of the RS-485 terminals.

Upon delivery the FR-F800-E inverter models are not equipped with the RS-485 terminal block.

System configuration of RS-485 terminals

- Computer and inverter connection (1:1)

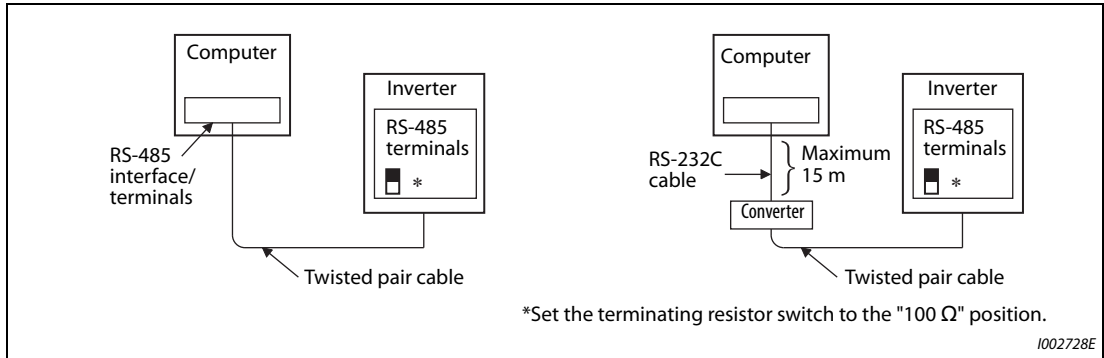


Fig. 5-226: Connection of a computer to one inverter

- Combination of computer and multiple inverters (1:n)

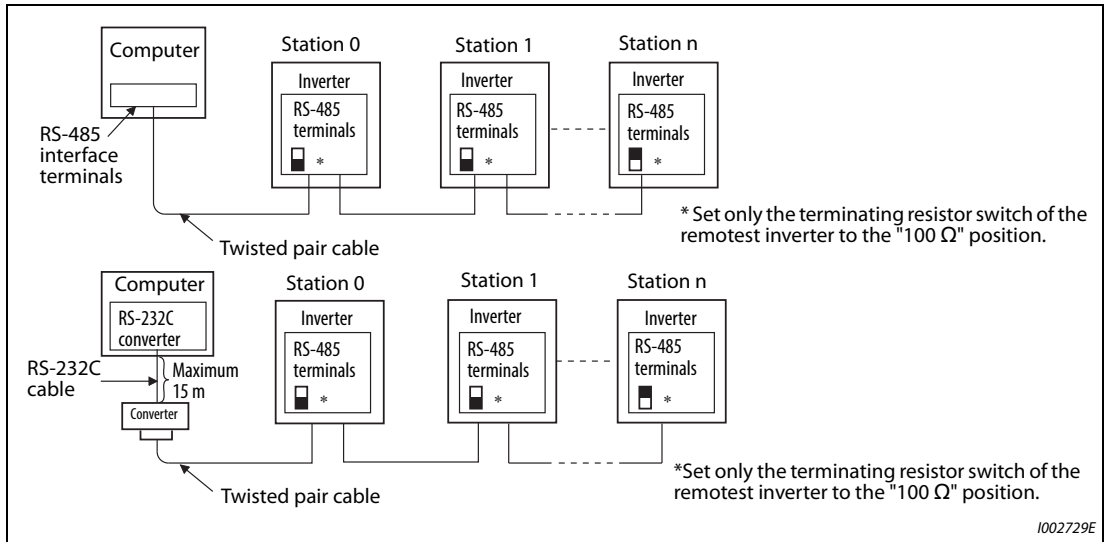


Fig. 5-227: Connection of a computer to several inverters

How to wire RS-485 terminals

- 1 inverter and 1 computer with RS-485 terminals

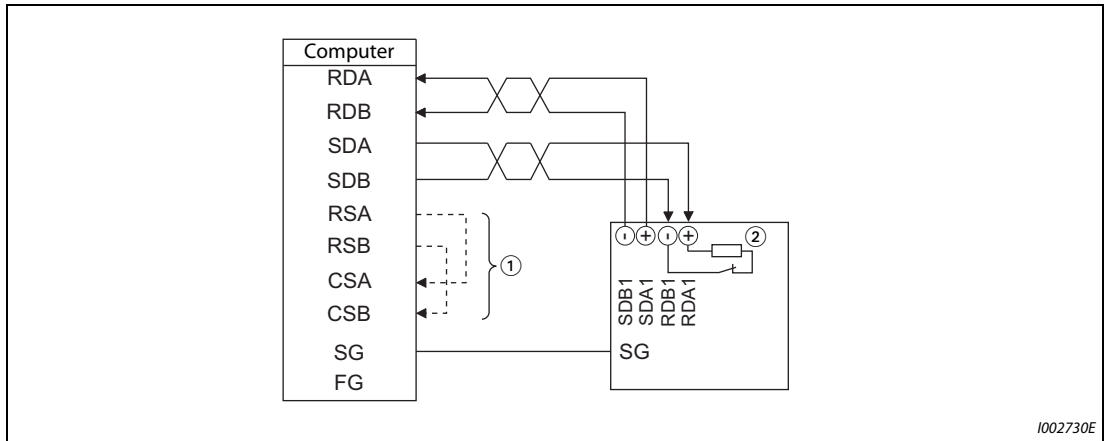


Fig. 5-228: Connection to one inverter

● Multiple inverters and 1 computer with RS-485 terminals

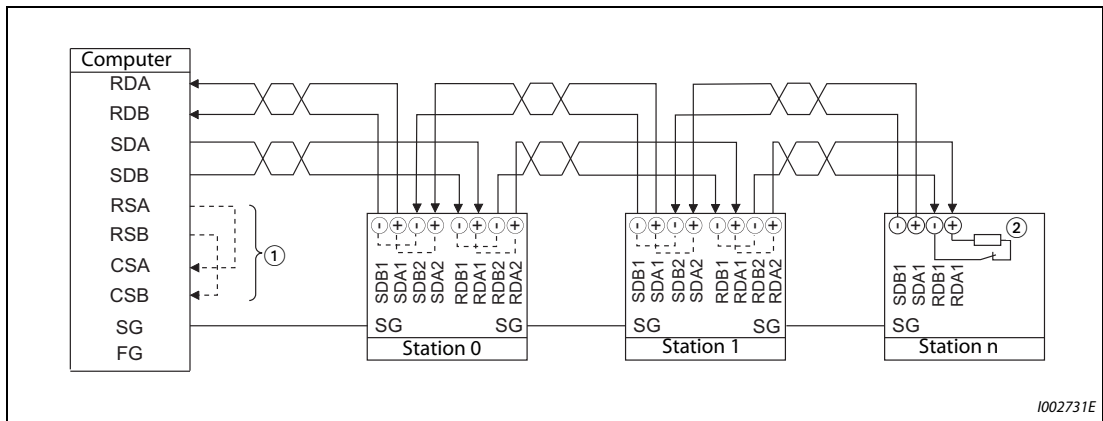
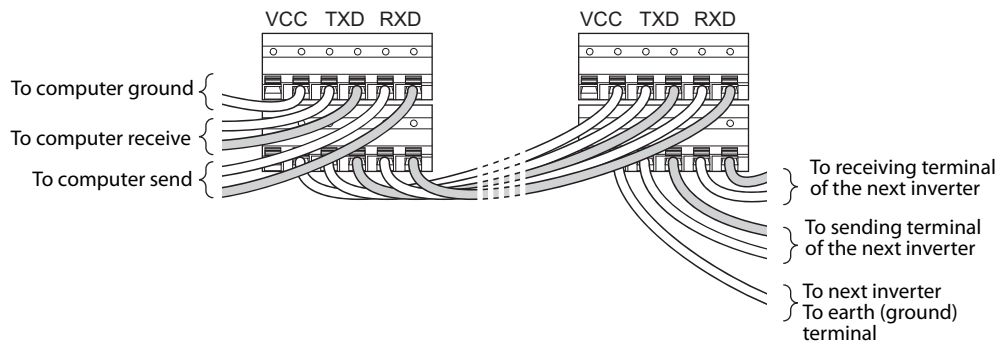


Fig. 5-229: Connection to several inverter

- ① Make connection in accordance with the Instruction Manual of the computer to be used with. Fully check the terminal numbers of the computer since they vary with the model.
- ② For the inverter farthest from the computer, set the terminating resistor switch to ON (100 Ω side).

NOTE

For branching, connect the wires as shown below.



Two-wire type connection

If the computer is 2-wire type, a connection from the inverter can be changed to 2-wire type by passing wires across reception terminals and transmission terminals of the RS-485 terminals.

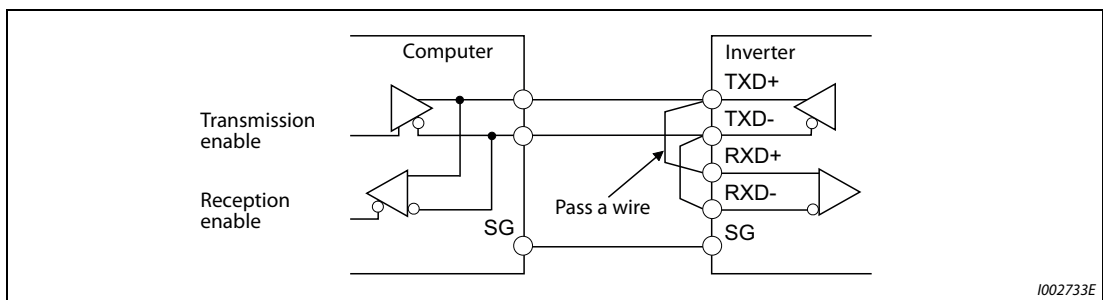


Fig. 5-230: 2-wire type connection

NOTE

A program should be created so that transmission is disabled (receiving state) when the computer is not sending and reception is disabled (sending state) during sending to prevent the computer from receiving its own data.

5.12.3 Initial setting of operation via communication

Set the action when the inverter is performing operation via communication.

- Set the communication protocol. (Mitsubishi inverter protocol/MODBUS® RTU protocol)
- Set the action at fault occurrence or at writing of parameters

Pr.	Name	Initial value	Setting range	Description												
549 N000	Protocol selection	0	0	Mitsubishi inverter protocol (computer link)												
			1	MODBUS® RTU protocol												
			2	BACnet MS/TP protocol												
342 N001	Communication EEPROM write selection	0	0	Parameter values written by communication are written to the EEPROM and RAM.												
			1	Parameter values written by communication are written to the RAM only.												
349 N010 ①③	Communication reset selection	0	0	Enables the error reset function in any operation mode.												
			1	Enables the error reset function only in the Network operation mode.												
500 N011 ①	Communication error execution waiting time	0 s	0 to 999.8 s	Set the time from when the communication line error occurs until the inverter starts the operation for the communication error (when a communication option is used).												
501 N012 ①	Communication error occurrence count display	0	0	Displays the communication error occurrence count (when a communication option is used)												
502 N013 ④	Stop mode selection at communication error	0	0	<table border="1"> <thead> <tr> <th>At fault occurrence</th> <th>At fault removal</th> </tr> </thead> <tbody> <tr> <td>Coasts to stop "E.SER" (FR-F800-E: "E.EHR") display ② ALM signal output</td> <td>Stays stopped "E.SER" (FR-F800-E: "E.EHR") display ②</td> </tr> <tr> <td>Deceleration stop "E.SER" (FR-F800-E: "E.EHR") display after stop ② ALM signal output after stop</td> <td>Stays stopped "E.SER" (FR-F800-E: "E.EHR") display ②</td> </tr> <tr> <td>Deceleration stop "E.SER" (FR-F800-E: "E.EHR") display after stop ②</td> <td>Automatic restart function</td> </tr> <tr> <td>Operation continued at the set frequency of Pr. 779</td> <td>Normal operation</td> </tr> <tr> <td>Operation continued at the set frequency of Pr. 779 "CF" display</td> <td>Normal operation</td> </tr> </tbody> </table>	At fault occurrence	At fault removal	Coasts to stop "E.SER" (FR-F800-E: "E.EHR") display ② ALM signal output	Stays stopped "E.SER" (FR-F800-E: "E.EHR") display ②	Deceleration stop "E.SER" (FR-F800-E: "E.EHR") display after stop ② ALM signal output after stop	Stays stopped "E.SER" (FR-F800-E: "E.EHR") display ②	Deceleration stop "E.SER" (FR-F800-E: "E.EHR") display after stop ②	Automatic restart function	Operation continued at the set frequency of Pr. 779	Normal operation	Operation continued at the set frequency of Pr. 779 "CF" display	Normal operation
				At fault occurrence	At fault removal											
				Coasts to stop "E.SER" (FR-F800-E: "E.EHR") display ② ALM signal output	Stays stopped "E.SER" (FR-F800-E: "E.EHR") display ②											
				Deceleration stop "E.SER" (FR-F800-E: "E.EHR") display after stop ② ALM signal output after stop	Stays stopped "E.SER" (FR-F800-E: "E.EHR") display ②											
				Deceleration stop "E.SER" (FR-F800-E: "E.EHR") display after stop ②	Automatic restart function											
Operation continued at the set frequency of Pr. 779	Normal operation															
Operation continued at the set frequency of Pr. 779 "CF" display	Normal operation															
0	Coasts to stop "E.SER" (FR-F800-E: "E.EHR") display ② ALM signal output	Stays stopped "E.SER" (FR-F800-E: "E.EHR") display ②														
1	Deceleration stop "E.SER" (FR-F800-E: "E.EHR") display after stop ② ALM signal output after stop	Stays stopped "E.SER" (FR-F800-E: "E.EHR") display ②														
2	Deceleration stop "E.SER" (FR-F800-E: "E.EHR") display after stop ②	Automatic restart function														
3	Operation continued at the set frequency of Pr. 779	Normal operation														
4	Operation continued at the set frequency of Pr. 779 "CF" display	Normal operation														
779 N014	Operation frequency during communication error	9999	0 to 590 Hz	Set the frequency to be run at a communication error occurrence.												
			9999	The motor runs at the frequency used before the communication error.												

① The setting is available only when a communication option is installed.

② During communication using the communication option, "E.OP1" or "E.1" is displayed.

③ FR-F800-E: The parameter is used when the CC-Link IE Field Network Basic is selected (refer to page 5-610).

④ FR-F800-E: The parameter setting is valid when Pr. 1431 "Ethernet signal loss detection function selection" = "3" or Pr. 1432 "Ethernet communication check time interval" = "9999" during Ethernet communication.

NOTE

For details regarding the stop mode selection at communication error for the different settings of Pr. 502 refer to tab. 5-227.

Setting the communication protocol (Pr. 549)

- Select the communication protocol.
- The MODBUS® RTU protocol can be used by communication from the RS-485 terminals (from the Ethernet connector for FR-F800-E).

Pr. 549 setting	Communication protocol
0(initial value)	Mitsubishi inverter protocol (computer link)
1	MODBUS® RTU protocol
2	BACnet MS/TP protocol

Tab. 5-226: Protocol selection**Communication EEPROM write selection (Pr. 342)**

- When parameter write is performed via the inverter PU connector, RS-485 terminal, USB communication, the Ethernet connector (FR-F800-E only), or a communication option, the parameters storage device can be changed from EEPROM + RAM to RAM only. Use this function if parameter settings are changed frequently.
- When changing the parameter values frequently, set "1" in Pr. 342 "Communication EEPROM write selection" to write them to the RAM only. The life of the EEPROM will be shorter if parameter write is performed frequently with the setting unchanged from "0 (initial value)" (EEPROM write).

NOTES

Turning OFF the inverter's power supply clears the modified parameter settings when Pr. 342 = "1 (write to RAM only)". Therefore, the parameter values at next power-ON are the values last stored in EEPROM.

The parameter setting written in RAM cannot be checked on the operation panel. (The values displayed on the operation panel are the ones stored in EEPROM.)

Operation selection at a communication error (Pr. 502, Pr. 779)

- For communication using RS-485 terminals, via the Ethernet connector (FR-F800-E only), or a communication option, operation at a communication error can be selected. The operation is active under the Network operation mode.
- Select the stop operation at the retry count excess (Pr. 335, only with Mitsubishi inverter protocol) or at a signal loss detection (Pr. 336, Pr. 539).
- For FR-F800-E: The operation at a communication error can be selected with Pr. 502 when Pr. 1431 "Ethernet signal loss detection function selection" = "3" or Pr. 1432 "Ethernet communication check time interval" = "9999" during Ethernet communication.
- When a communication error is detected while communication with the RS-485 terminals is performed, the alarm (LF) signal is output to an output terminal of the inverter. To use the LF signal, set "98 (positive logic) or 198 (negative logic)" in any of Pr. 190 to Pr. 196 (output terminal function selection) to assign the function to the output terminal. (While communication is performed with a communication option, LF signal is output only when "3 or 4" is set in Pr. 502.)
- For FR-F800-E: When a communication error is detected during communication via the Ethernet connector while Pr. 1431 "Ethernet signal loss detection function selection" = "2 or 3", the alarm (LF) signal is output to an output terminal of the inverter. To use the LF signal, set "98 (positive logic) or 198 (negative logic)" in any of Pr. 190 to Pr. 196 (output terminal function selection) to assign the function to the output terminal. (While communication is performed with a communication option, LF signal is output only when "3 or 4" is set in Pr. 502.)

Error definition	Pr. 502 setting	At fault occurrence			At fault removal		
		Operating status	Indication	Fault (ALM) signal	Operating status	Indication	Fault (ALM) signal
Communication line	0 (initial value)	Coasts to stop	E.SER ^① E.EHR ^{①③}	ON	Stop status continues	E.SER ^① / E.EHR ^{①③}	ON
	1	Deceleration stop	E.SER after stop ^① / E.EHR after stop ^{①③}	ON after stop			
	2			OFF	Automatic restart function ^②	Normal display	OFF
	3	Operation continued at the set frequency of Pr. 779	Normal display	OFF	Normal operation	Normal display	OFF
	4			CF			
Communication option itself (When a communication option is used)	0, 3	Coasts to stop	E.1	ON	Stop status continues	E.1	ON
	1, 2	Deceleration stop	E.1 after stop	ON after stop			
	4	Operation continued at the set frequency of Pr. 779	CF	OFF	Operation continued at the set frequency of Pr. 779	CF	OFF

Tab. 5-227: Stop mode selection

- ① During communication using the communication option, "E.OP1" is displayed.
 ② When the communication error is removed during deceleration, the motor re-accelerates.
 ③ FR-F800-E only

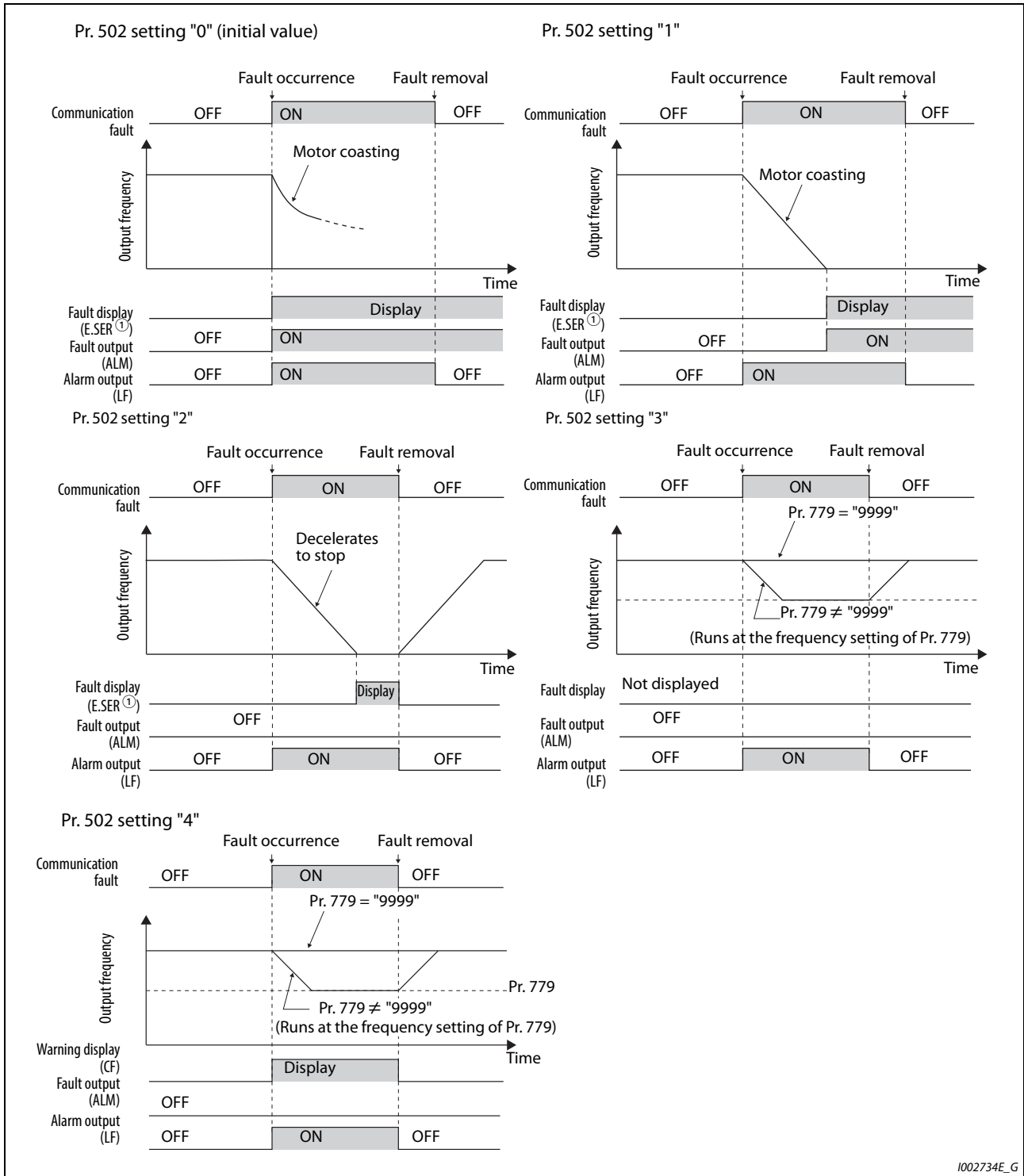


Fig. 5-231: Operation selection at a communication error

① During communication using the communication option, "E.OP1" is displayed. For FR-F800-E: "E.EHR" is displayed, during communication using the communication option, "E.OP1" is displayed.)

NOTE When the Pr. 1431 setting is changed to a value other than "3" after the operation defined by the Pr. 502 setting starts, the operation will be changed according to the Pr. 1431 setting.

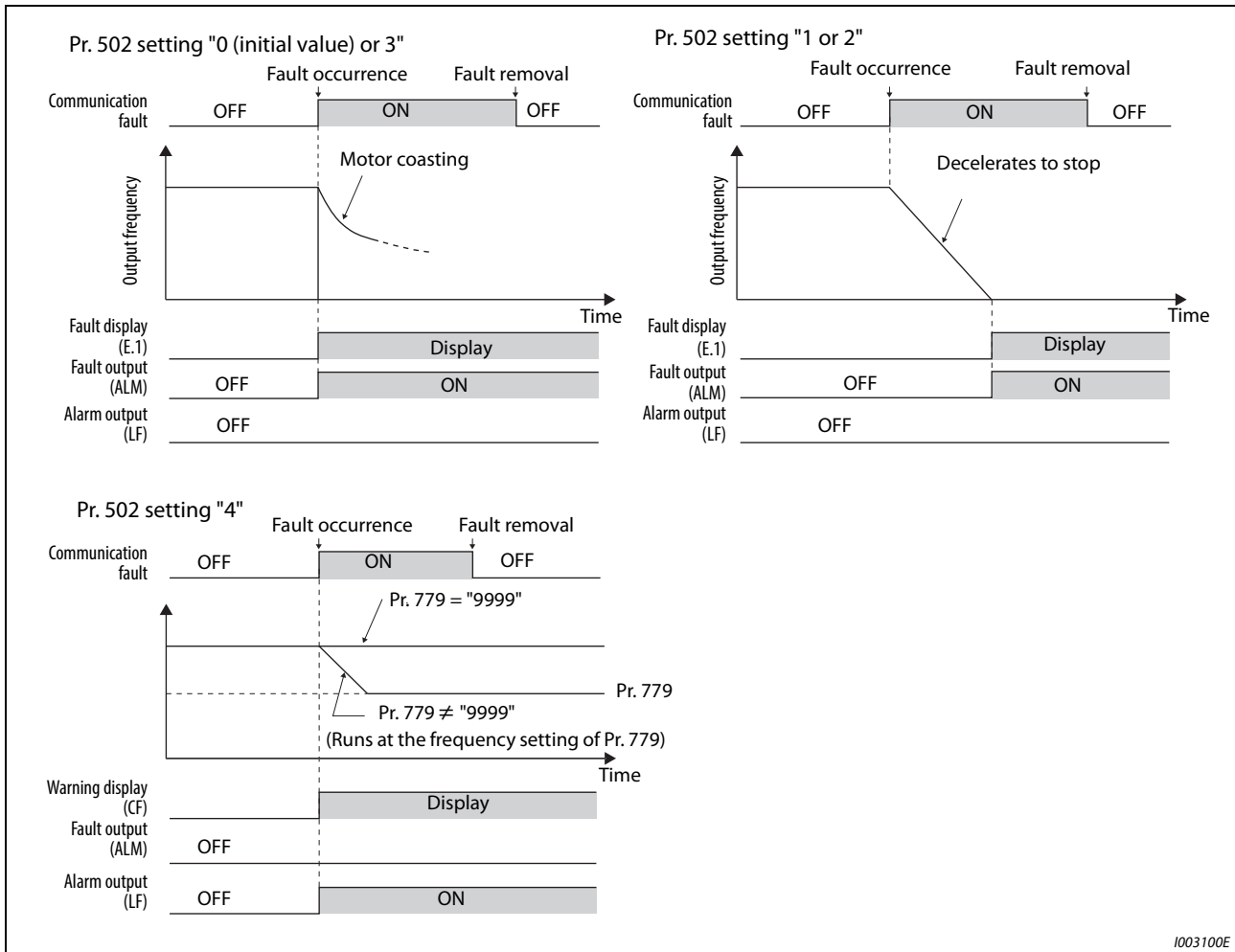


Fig. 5-232: Operation selection at a communication option fault

NOTES

When a communication option is used, the protective function [E.OP1 (fault data: HA1)] is activated at error occurrences on the communication line. The protective function [E.1 (fault data: HF1)] is activated at error occurrences in the communication circuit inside the option.

Fault output indicates the Fault signal (ALM) and an alarm bit output.

When the fault output is set enabled, fault records are stored in the faults history. (A fault record is written to the faults history at a fault output.)

When the fault output is not set enabled, fault record is overwritten to the faults history of the faults history temporarily but not stored.

After the fault is removed, the fault indication goes back to normal indication on the monitor, and the faults history goes back to the previous status.

If Pr. 502 ≠ "0" the normal deceleration time setting (settings like Pr. 8, Pr. 44, and Pr. 45) is applied as the deceleration time. Normal acceleration time setting (settings like Pr. 7 and Pr. 44) is applied as the acceleration time for restart.

When Pr. 502 = "2, 3 or 4", the inverter operates with the start command and the speed command, which were used before the fault.

NOTES

If a communication line error occurs, then the error is removed during deceleration while Pr. 502 = "2", the motor re-accelerates from that point. (When a communication option is used, acceleration does not restart at a communication option error.)

The Pr. 502 and Pr. 779 settings are valid when communication is performed via the RS-485 terminals, via the Ethernet connector (FR-F800-E only), or a communication option.

These parameters are valid under the Network operation mode.

- When performing communication with RS-485 terminals, set Pr. 551 "PU mode operation command source selection" ≠ "1".
- When performing communication via the Ethernet connector (FR-F800-E only), set Pr. 551 "PU mode operation command source selection" ≠ "5".

Pr. 502 is valid for the device that has the command source under the Network operation mode. If a communication option is installed while Pr. 550 = "9999 (initial value)", a communication error in RS-485 terminals (for FR-F800-E: an Ethernet connector communication error) occurs and Pr. 502 becomes invalid.

For FR-F800-E: If the communication error setting is disabled with the settings of Pr. 502 = "3" and Pr. 1432 = "9999", the inverter does not continue its operation at the frequency set in Pr. 779 when a communication error occurs.

If the communication error setting is disabled with Pr. 502 = "3 or 4", Pr. 335 = "9999", and Pr. 539 = "9999", the inverter does not continue its operation with the frequency set by Pr. 779 at a communication error.

If a communication error occurs while continuous operation at Pr. 779 is selected with Pr. 502 = "3 or 4", the inverter operates at the frequency set in Pr. 779 even though the speed command source is at the external terminals.

Example:

If a communication error occurs while Pr. 339 = "2" and the RL signal is input through an external terminal, the operation is continued at the frequency set in Pr. 779.

**CAUTION:**

When Pr. 502 = "3" and a communication line error occurs, or Pr. 502 = "4" and a communication line error or a communication option fault occurs, the operation continues. When setting "3 or 4" in Pr. 502, provide a safety stop countermeasure other than via communication. For example, input a signal through an external terminal (RES, MRS, or X92) or press the PU stop on the operation panel (refer to page 4-2).

Waiting time for the communication line error output after a communication error (Pr. 500)

- Waiting time for the communication error output after a communication line error occurrence can be set.
- When a communication line error occurs and lasts longer than the time set in Pr. 500, it is recognized as a communication error. If the communication returns to normal within the time, it is not recognized as a communication error, and the operation continues.

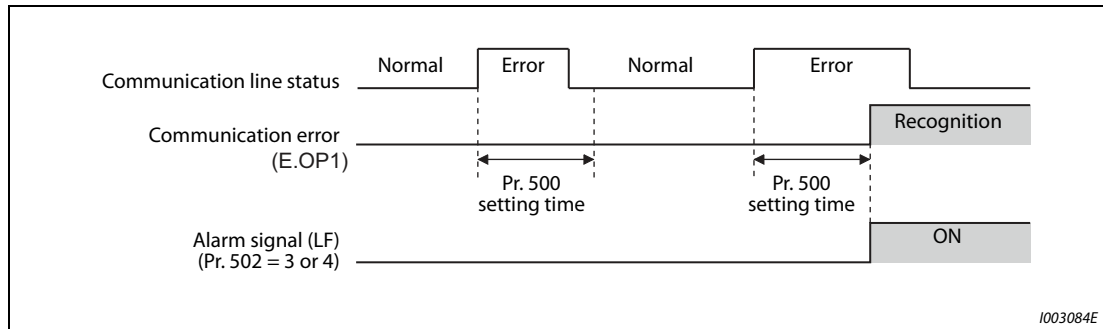


Fig. 5-233: Recognition of a communication error depending on Pr. 500 setting

NOTES

The communication option error (E. 1) is not included in the targets of Pr. 500.

Operations at communication error occurrences can be selected with Pr. 502 "Stop mode selection at communication error". (Refer to page 5-460.)

Displaying and clearing the communication error count (Pr. 501)

- The cumulative count of communication error occurrences can be displayed. Write "0" to clear this cumulative count.
- At the point of communication line error occurrence, Pr. 501 "Communication error occurrence count display" is incremented by 1

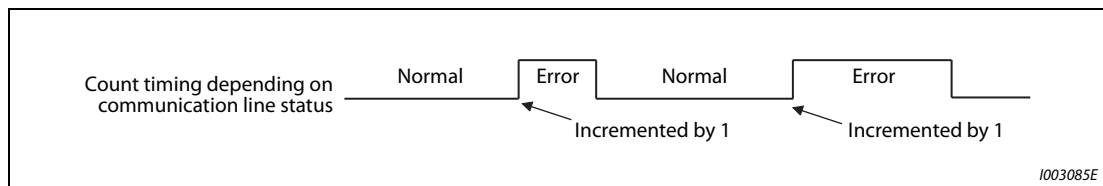


Fig. 5-234: Communication error count

NOTE

Communication error count is temporarily stored in the RAM memory. The error count is stored in EEPROM only once per hour. If power reset or inverter reset is performed, Pr. 501 setting will be the one that is last stored to EEPROM depending on the reset timing.

Error reset operation selection at inverter fault (Pr. 349)

In the External operation mode or the PU operation mode, use this parameter to disable an error reset command sent through the Ethernet network (CC-Link IE Field Network Basic) or from a communication option.

Pr. 349 setting	Description
0 (initial value)	Error reset is enabled independently of operation mode
1	Error reset is enabled only in the network operation mode

Tab. 5-228: Pr. 349 settings

Operation mode switching and communication startup mode (Pr. 79, Pr. 340)

- Operation mode switching conditions
 - The inverter is at a stop.
 - Both the STF and STR signals are off.
 - The Pr. 79 "Operation mode selection" is correct.
(Set with the operation panel of the inverter) (refer to page 5-119).)
- The operation mode at power ON and at restoration from instantaneous power failure can be selected. Set a value other than "0" in Pr. 340 "Communication startup mode selection" to select the network operation mode (refer to page 5-128).
- After started in network operation mode, parameter write from the network is enabled.

NOTES

Change of the Pr. 340 setting is valid when powering on or resetting the inverter.

Pr. 340 can be changed with the operation panel independently of the operation mode.

When setting a value other than 0 in Pr. 340, make sure that the communication settings of the inverter are correct.

Parameters referred to			
Pr. 7	Acceleration time	=>	page 5-102
Pr. 8	Deceleration time	=>	page 5-102
Pr. 79	Operation mode selection	=>	page 5-119
Pr. 335	RS-485 communication retry count	=>	page 5-467
Pr. 336	RS-485 communication check time interval	=>	page 5-467
Pr. 340	Communication startup mode selection	=>	page 5-128
Pr. 539	MODBUS® RTU communication check time interval	=>	page 5-488
Pr. 550	NET mode operation command source selection	=>	page 5-130
Pr. 551	PU mode operation command source selection	=>	page 5-130
Pr. 1431 (FR-F800-E only)	Ethernet signal loss detection function selection	=>	page 5-522
Pr. 1432 (FR-F800-E only)	Ethernet communication check time interval	=>	page 5-522

5.12.4 Initial settings and specifications of RS-485 communication

Use the following parameters to perform required settings for the RS-485 communication between the inverter and a personal computer.

- There are two types of communication, communication using the inverter's PU connector and communication using the RS-485 terminals.
- Parameter setting, monitoring, etc. can be performed with the Mitsubishi inverter protocol, MODBUS® RTU protocol, and BACnet protocol.
- To make communication between the personal computer and inverter, setting of the communication specifications must be made to the inverter in advance.
Data communication cannot be made if the initial settings are not made or if there is any setting error.

[Parameters related to PU connector communication]

Pr.	Name	Initial value	Setting range	Description	
117 N020	PU communication station number	0	0 to 31	Specify the inverter station number. Set the inverter station numbers when two or more inverters are connected to one personal computer.	
118 N021	PU communication speed	192	48, 96, 192, 384, 576, 768, 1152	Set the communication speed. The setting value × 100 equals the communication speed. For example, if 192 is set, the communication speed is 19200 bps.	
N022	PU communication data length	0	0	Data length 8 bits	
			1	Data length 7 bits	
N023	PU communication stop bit length	1	0	Stop bit length 1 bit	
			1	Stop bit length 2 bits	
119	PU communication stop bit length / data length	1	0	Stop bit length 1 bit	Data length 8 bits
			1	Stop bit length 2 bits	
			10	Stop bit length 1 bit	Data length 7 bits
			11	Stop bit length 2 bits	
120 N024	PU communication parity check	2	0	Without parity check	
			1	With parity check at odd numbers	
			2	With parity check at even numbers	
121 N025	Number of PU communication retries	1	0 to 10	Set the permissible number of retries for unsuccessful data reception. If the number of consecutive errors exceeds the permissible value, the inverter will trip.	
			9999	If a communication error occurs, the inverter will not trip.	
122 N026	PU communication check time interval	9999	0	No PU connector communication	
			0.1 to 999.8 s	Set the interval of the communication check (signal loss detection) time. If a no-communication state persists for longer than the permissible time, the inverter will trip.	
			9999	No communication check (signal loss detection)	
123 N027	PU communication waiting time setting	9999	0 to 150 ms	Set the waiting time between data transmission to the inverter and the response.	
			9999	Set with communication data.	
124 N028	PU communication CR/LF selection	1	0	Without CR/LF	
			1	With CR	
			2	With CR/LF	

[Parameters related to communication with the RS-485 terminals]

Pr.	Name	Initial value	Setting range	Description
331 N030	RS-485 communication station number	0	0 to 31 (0 to 247) ① ②	Set the inverter station number. (Same specifications as Pr. 117)
332 N031	RS-485 communication speed	96	3, 6, 12, 24, 48, 96, 192, 384, 576, 768, 1152 ③	Select the communication speed. (Same specifications as Pr. 118)
N032	RS-485 communication data length	0	0, 1	Select the data length. (Same specifications as P.N022) ④
N033	RS-485 communication stop bit length	1	0, 1	Select the stop bit length. (Same specifications as P.N023) ⑤
333	RS-485 communication stop bit length / data length	1	0, 1, 10, 11	Select the stop bit length and data bit length. (Same specifications as Pr. 119) ④ ⑤
334 N034	RS-485 communication parity check selection	2	0, 1, 2	Select the parity check specifications. (Same specifications as Pr. 120)
335 N035 ⑥	RS-485 communication retry count	1	0 to 10, 9999	Set the permissible number of retries for unsuccessful data reception. (Same specifications as Pr. 121)
336 N036 ⑥	RS-485 communication check time interval	0 s	0	RS-485 communication is available, but the inverter trips in the NET operation mode.
			0.1 to 999.8 s	Set the interval of the communication check (signal loss detection) time. (Same specifications as Pr. 122)
			9999	No communication check (signal loss detection)
337 N037 ⑥	RS-485 communication waiting time setting	9999	0 to 150 ms, 9999	Set the waiting time between data transmission to the inverter and the response. (Same specifications as Pr. 123)
341 N038 ⑥	RS-485 communication CR/LF selection	1	0, 1, 2	Select the presence/absence of CR/LF. (Same specifications as Pr. 124)

- ① When "1" (MODBUS® RTU protocol) is set in Pr. 549, the setting range within parentheses is applied.
- ② When a value outside the setting range is set, the inverter operates at the initial value.
- ③ When Pr. 549 = "2" (BACnet MS/TP protocol), the setting range is "96 to 1152".
- ④ In the MODBUS® RTU protocol, the data length is fixed at 8 bits.
- ⑤ In the MODBUS® RTU protocol, Pr. 334 setting is applied as the stop bit length. (Refer to page 5-488.)
- ⑥ In the MODBUS® RTU protocol, this is invalid.

NOTES

The monitored items and parameter settings can be read during communication with the Pr. 336 "RS-485 communication check time interval" = "0 (initial value)" setting, but such operation will become faulty once the operation mode is changed to the NET operation mode. When the NET operation mode is selected as the start-up operation mode, communication is performed once, then a Communication fault (inverter) (E.SER) occurs. To perform operation or parameter writing via communication, set "9999" or a large setting value in Pr. 336. (The setting value is determined by the computer program.) (Refer to page 5-478.)

Always reset the inverter after making the initial settings of the parameters. After changing the communication-related parameters, communication cannot be made until the inverter is reset.

Upon delivery the FR-F800-E inverter models are not equipped with the RS-485 terminal block.

5.12.5 Mitsubishi inverter protocol (computer link communication)

Parameter settings and monitoring are possible by using the Mitsubishi inverter protocol (computer link communication) via inverter PU connector and the RS-485 terminals. Upon delivery the FR-F800-E inverter models are not equipped with the RS-485 terminal block.

Communication specifications

The communication specifications are given below.

Item	Description	Related Parameter
Communication protocol	Mitsubishi protocol (computer link)	Pr. 551
Conforming standard	EIA-485 (RS-485)	—
Connectable units	1:N (maximum 32 units), setting is 0 to 31 stations	Pr. 117 Pr. 331
Communication Speed	PU connector	Selected among 4800/9600/19200/38400 bps
	RS-485 terminals	Selected among 300/600/1200/2400/4800/9600/19200/38400/38400/57600/76800/115200 bps
Control procedure	Asynchronous system	—
Communication method	Half-duplex system	—
Communication specifications	Character system	ASCII (7 bits or 8 bits can be selected.)
	Start bit	1 bit
	Stop bit length	1 bit or 2 bits can be selected.
	Parity check	Check (at even or odd numbers) or no check can be selected.
	Error check	Sum code check
	Terminator	CR/LF (presence/absence selectable)
Waiting time setting	Selectable between presence and absence	Pr. 123 Pr. 337

Tab. 5-229: Communication specifications

Communication procedure

Data communication between the computer and inverter is made in the following procedure.

- ① Request data is sent from the computer to the inverter. (The inverter will not send data unless requested.)
- ② After waiting for the waiting time,
- ③ The inverter sends reply data to the computer in response to the computer request.
- ④ After waiting for the inverter data processing time,
- ⑤ An answer from the computer in response to reply data (③) of the inverter is transmitted. (Even if (⑤) is not sent, subsequent communication is made properly.)

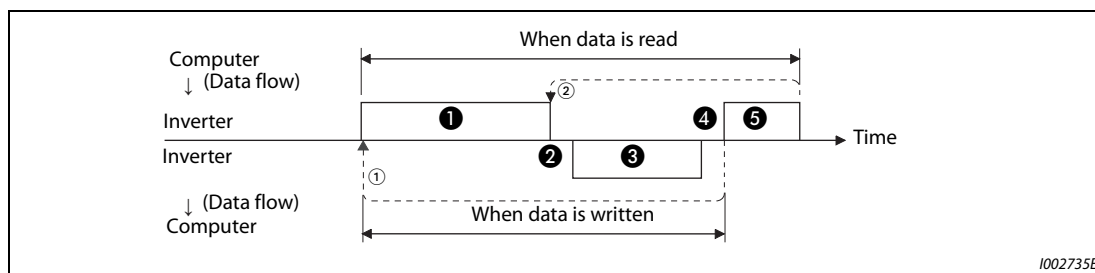


Fig. 5-235: Schematic diagram of data exchange

- ① If a data error is detected and a retry must be made, perform retry operation with the user program. The inverter trips if the number of consecutive retries exceeds the parameter setting.
- ② On receipt of a data error occurrence, the inverter returns reply data (③) to the computer again. The inverter trips if the number of consecutive data errors reaches or exceeds the parameter setting.

Communication operation presence/absence and data format types

- Data communication between the computer and inverter is made in ASCII code (hexadecimal code).
- Communication operation presence/absence and data format types are as follows.

Symbol	Operation	Operation command	Operation frequency	Multi command	Parameter write	Inverter reset	Monitor	Parameter read	
①	Communication request is sent to the inverter in accordance with the user program in the computer.	A, A1	A	A2	A	A	B	B	
②	Inverter data processing time	With	With	With	With	Without	With	With	
③	Reply data from the inverter (Data ①) is checked for an error)	No error ① (Request accepted)	C	C	C1 ③	C	C ②	E, E1, E2, E3	E
		With error (Request rejected)	D	D	D	D	D ②	D	D
④	Computer processing delay time	10 ms or more							
⑤	Answer from computer in response to reply data ③ (Data ③ is checked for error)	No error ① (No inverter processing)	Without	Without	Without (C)	Without	Without	Without (C)	Without (C)
		With error (Inverter outputs ③ again.)	Without	Without	F	Without	Without	F	F

Tab. 5-230: Communication and data format

- ① In the communication request data from the computer to the inverter, 10 ms or more is also required after "no data error (ACK)". (Refer to page 5-475.)
- ② Reply from the inverter to the inverter reset request can be selected. (Refer to page 5-481.)
- ③ At mode error, and data range error, C1 data contains an error code. (Refer to page 5-487.) Except for those errors, the error is returned with data format D.

● Data writing format

- ① Communication request data from the computer to the inverter

Format	Number of characters																		
	1	2	3	4	5	6	7	8	9	10	11	12	13	14	15	16	17	18	19
A	ENQ ①	Inverter station No. ②		Instruction code		③	Data				Sum check		④						
A1	ENQ ①	Inverter station No. ②		Instruction code		③	Data		Sum check		④								
A2	ENQ ①	Inverter station No. ②		Instruction code		③	Send data type	Receive data type	Data1				Data2				Sum check		④

- ③ Reply data from the inverter to the computer (No data error detected)

Format	Number of characters																		
	1	2	3	4	5	6	7	8	9	10	11	12	13	14	15	16	17	18	19
C	ACK ①	Inverter station No. ②		④															
C1	STX ①	Inverter station No. ②		Send data type	Receive data type	Error code 1	Error code 2	Data1				Data2				ETX ①	Sum check		④

- ③ Reply data from the inverter to the computer (Data error detected)

Format	Number of characters				
	1	2	3	4	5
D	NAK ①	Inverter station No. ②		Error code	④

- ① Indicates a control code.
- ② Specifies the inverter station numbers in the range of H00 to H1F (stations 0 to 31) in hexadecimal.
- ③ When Pr. 123 and Pr. 337 (Waiting time setting) ≠ 9999, create a communication request data without "waiting time" in the data format. (The number of characters decreases by 1.)
- ④ CR, LF code: When data is transmitted from the computer to the inverter, codes CR (carriage return) and LF (line feed) are automatically set at the end of a data group on some computers. In this case, setting must be also made on the inverter according to the computer. Whether the CR and LF codes will be present or absent can be selected using Pr. 124 and Pr. 341 (CR/LF selection).

● Data reading format

- ① Communication request data from the computer to the inverter

Format	Number of characters								
	1	2	3	4	5	6	7	8	9
B	ENQ ①	Inverter station No. ②		Instruction code		③	Sum check		④

- ③ Reply data from the inverter to the computer (No data error detected)

Format	Number of characters												
	1	2	3	4	5	6	7	8	9	10	11	12	13
E	STX ①	Inverter station No. ②		Read data			ETX ①	Sum check		④			
E1	STX ①	Inverter station No. ②		Read data		ETX ①	Sum check		④				
E2	STX ①	Inverter station No. ②		Read data					ETX ①	Sum check		④	

Format	Number of characters											
	1	2	3	4 to 23				24	25	26	27	
E3	STX ①	Inverter station No. ②		Read data (Inverter model information)					ETX ①	Sum check		④

- ③ Reply data from the inverter to the computer (Data error detected)

Format	Number of characters				
	1	2	3	4	5
D	NAK ①	Inverter station No. ②		Error code	④

- ⑤ Transmission data from the computer to the inverter when reading data

Format	Number of characters			
	1	2	3	4
C (No data error detected)	ACK ①	Inverter station No. ②		④
F (Data error detected)	NAK ①	Inverter station No. ②		④

① Indicates a control code.

② Specifies the inverter station numbers in the range of H00 to H1F (stations 0 to 31) in hexadecimal.

③ When Pr. 123 and Pr. 337 (Waiting time setting) ≠ 9999, create a communication request data without "waiting time" in the data format. (The number of characters decreases by 1.)

④ CR, LF code: When data is transmitted from the computer to the inverter, codes CR (carriage return) and LF (line feed) are automatically set at the end of a data group on some computers. In this case, setting must be also made on the inverter according to the computer. Whether the CR and LF codes will be present or absent can be selected using Pr. 124 or Pr. 341 (CR/LF selection).

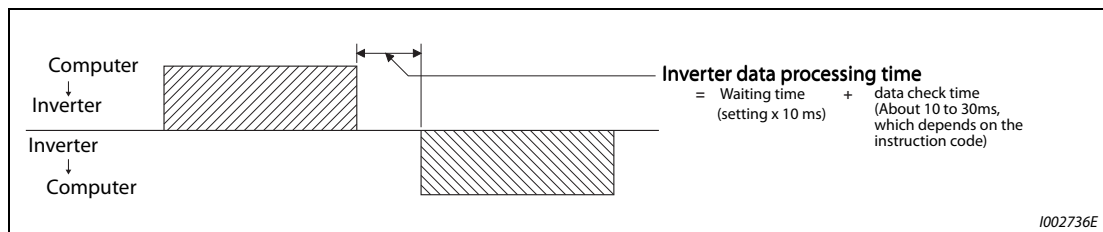
Data definitions

● Control code

Signal name	ASCII Code	Description
STX	H02	Start Of Text (Start of data)
ETX	H03	End Of Text (End of data)
ENQ	H05	Inquiry (Communication request)
ACK	H06	Acknowledge (No data error detected)
LF	H0A	Line Feed
CR	H0D	Carriage Return
NAK	H15	Negative Acknowledge (Data error detected)

Tab. 5-231: Control codes

- Inverter station number
- Specify the station number of the inverter which communicates with the computer.
- Instruction code
- Specify the processing request, for example, operation or monitoring, given by the computer to the inverter. Hence, the inverter can be run and monitored in various ways by specifying the instruction code appropriately. (Refer to page 5-481.)
- Data
- Indicates the data such as frequency and parameters transferred to and from the inverter. The definitions and ranges of set data are determined in accordance with the instruction codes. (Refer to page 5-481.)
- Waiting time
- Specify the waiting time between the receipt of data at the inverter from the computer and the transmission of reply data. Set the waiting time in accordance with the response time of the computer in the range of 0 to 150 ms in 10 ms increments. (For example; 1=10 ms, 2= 20 ms)

**Fig. 5-236:** Specifying the waiting time**NOTES**

When Pr. 123 or Pr. 337 (Waiting time setting) \neq "9999", create a communication request data without "waiting time" in the data format. (The number of characters decreases by 1.)

The data check time varies depending on the instruction code. (Refer to page 5-475.)

● Sum check code

The sum check code is a 2-digit ASCII (hexadecimal) representing the lower 1 byte (8 bits) of the sum (binary) derived from the checked ASCII data.

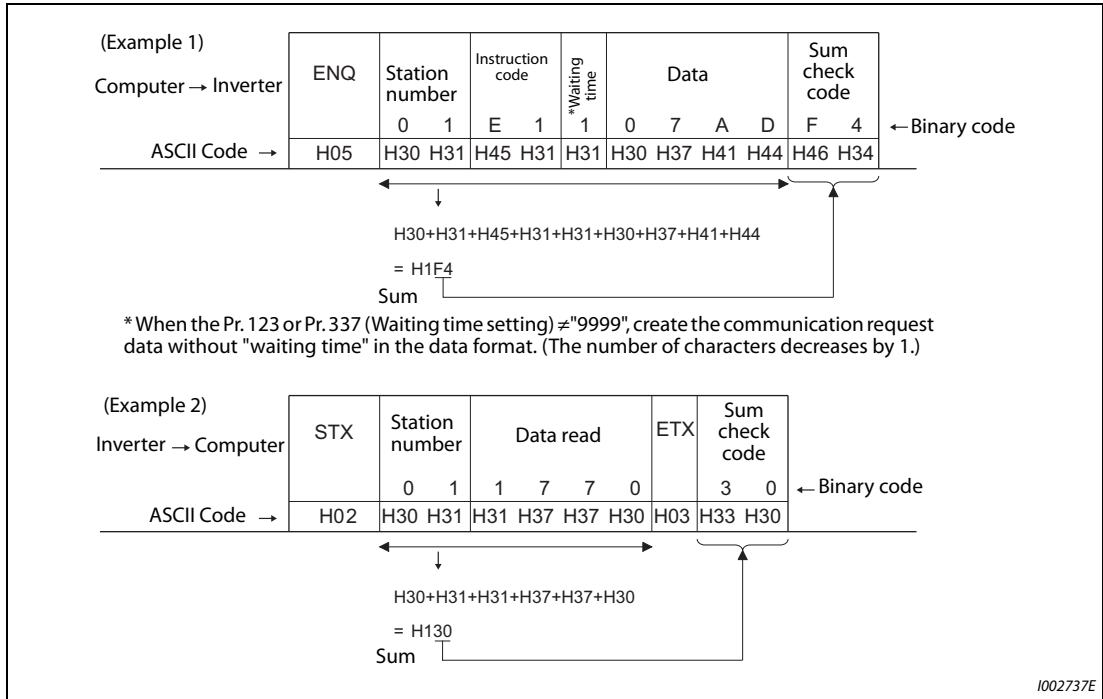


Fig. 5-237: Sum check code (examples)

● Error code

If any error is found in the data received by the inverter, its error definition is sent back to the computer together with the NAK code.

Error Code	Error Item	Error Description	Inverter Operation
H0	Computer NAK error	The number of errors consecutively detected in communication request data from the computer is greater than the permissible number of retries.	Trips (E.PUE/E.SER) if error occurs continuously more than the permissible number of retries.
H1	Parity error	The parity check result does not match the specified parity.	
H2	Sum check error	The sum check code in the computer does not match that of the data received by the inverter.	
H3	Protocol error	The data received by the inverter has a grammatical mistake. Or, data receive is not completed within the predetermined time. CR or LF is not as set in the parameter.	
H4	Framing error	The stop bit length differs from the initial setting.	
H5	Overrun error	New data has been sent by the computer before the inverter completes receiving the preceding data.	
H6	—	—	—
H7	Character error	The character received is invalid (other than 0 to 9, A to F, control code).	Does not accept the received data, but the inverter does not trip.
H8	—	—	—
H9	—	—	—
HA	Mode error	Parameter write was attempted in other than the computer link operation mode, when operation command source is not selected or during inverter operation.	Does not accept the received data, but the inverter does not trip.
HB	Instruction code error	The specified instruction code does not exist.	
HC	Data range error	Invalid data has been specified for parameter writing, running frequency setting, etc.	
HD	—	—	—
HE	—	—	—
HF	Normal (no error)	—	—

Tab. 5-232: Error codes

Response time

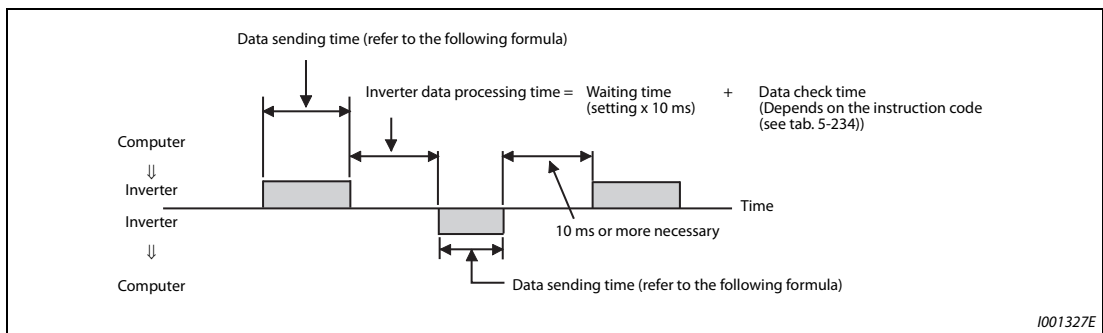


Fig. 5-238: Response time

Formula for data transmission time

$$\frac{1}{\text{Communication speed (bps)}} \times \text{Number of data characters (Refer to page 5-470)} \times \text{Communication specifications (Total number of bits) = data transmission time (s) (Refer to the following.)}$$

● Communication specifications

Name		Number of bits
Stop bit length		1 bit
		2 bits
Data Length		7 bits
		8 bits
Parity check	With	1 bit
	Without	0 bits

Tab. 5-233: Communication specifications

NOTES

| In addition to the above, 1 start bit is necessary.

| Minimum number of total bits: 9 bits, maximum number of total bits: 12 bits.

● Data check time

Item	Check time
Various monitors, operation command, Frequency setting (RAM)	< 12 ms
Parameter read/write, Frequency setting (EEPROM)	< 30 ms
Parameter clear / all clear	< 5 s
Reset command	No answer

Tab. 5-234: Data check time

Retry count setting (Pr. 121, Pr. 335)

- Set the permissible number of retries at data receive error occurrence. (Refer to page 5-475 for data receive error for retry.)
- When the data receive errors occur consecutively and the number of retries exceeds the permissible number setting, a communication fault (PU connector communication: E.PUE, RS-485 terminal communication: E.SER) occurs and the inverter trips.
- When a data transmission error occurs while "9999" is set, the inverter does not trip but outputs the alarm (LF) signal.
To use the LF signal, set "98 (positive logic) or 198 (negative logic)" in any of Pr. 190 to Pr. 196 (output terminal function selection) to assign the function to an output terminal.

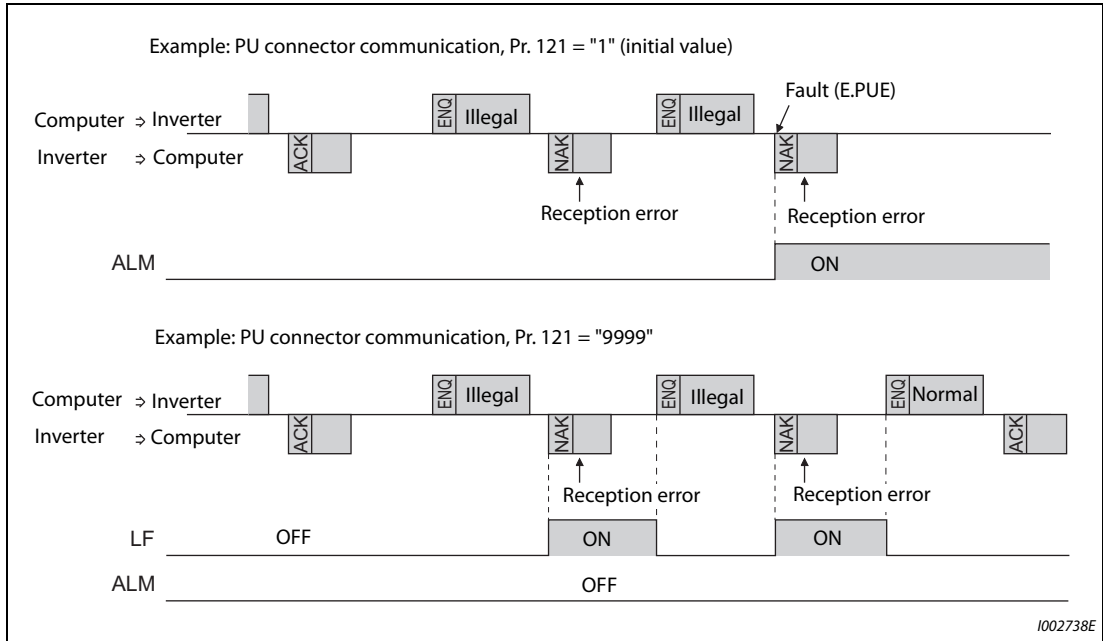


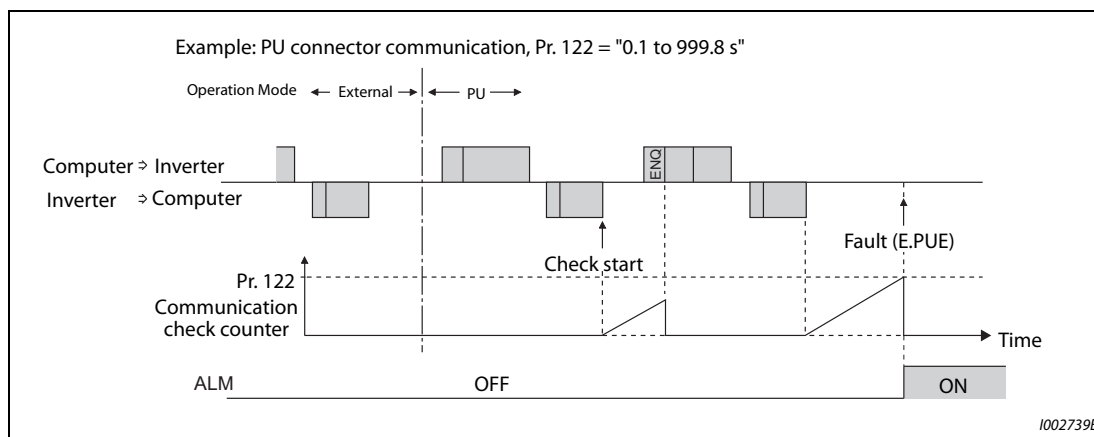
Fig. 5-239: Data transmission error

NOTE

For the RS-485 terminal communication, the operation at a communication error occurrence depends on the Pr. 502 "Stop mode selection at communication error" setting. (Refer to page 5-459.)

Signal loss detection (Pr. 122, Pr. 336 "RS-485 communication check time interval")

- If a signal loss (communication stop) is detected between the inverter and computer as a result of a signal loss detection, a communication fault (PU connector communication: E.PUE, RS-485 terminal communication: E.SER) occurs and the inverter trips.
- When the setting is "9999", communication check (signal loss detection) is not made.
- When the setting is "0", communication from the PU connector is not possible. In the case of communication by RS-485 terminals, reading, etc. of monitors and parameters is possible, though a communication error (E.SER) occurs instantly when the Network operation mode is switched to.
- A signal loss detection is made when the setting is any of "0.1 s to 999.8 s". To make a signal loss detection, it is necessary to send data (for details on control codes, refer to page 5-473) from the computer within the communication check time interval. (The inverter makes a communication check (clearing of communication check counter) regardless of the station number setting of the data sent from the master).
- Communication check is started at the first communication in the operation mode having the operation source (PU operation mode for PU connector communication in the initial setting or Network operation mode for RS-485 terminal communication).

**Fig. 5-240:** Open cable detection**Instructions for the program**

- When data from the computer has any error, the inverter does not accept that data. Hence, in the user program, always insert a retry program for data error.
- All data communication, for example, run command or monitoring, are started when the computer gives a communication request. The inverter does not return any data without the computer's request. Hence, design the program so that the computer gives a data read request for monitoring, etc. as required.

- Program example: To switch to the Network operation mode

Microsoft® Visual C++® (Ver.6.0) programming example

```

#include <stdio.h>
#include <windows.h>

void main(void){
    HANDLE          hCom;          // Communication handle
    DCB             hDcb;          // Structure for setting communication settings
    COMMTIMEOUTS   hTim;          // Structure for setting timeouts

    char            szTx[0x10];    // Send buffer
    char            szRx[0x10];    // Receive buffer
    char            szCommand[0x10]; // Command
    int             nTx,nRx;        // For storing buffer size
    int             nSum;           // For calculating sum code
    BOOL            bRet;
    int             nRet;
    int             i;

    //**** Open COM1 port ****
    hCom = CreateFile("COM1", (GENERIC_READ | GENERIC_WRITE), 0, NULL, OPEN_EXISTING, FILE_ATTRIBUTE_NORMAL, NULL);
    if(hCom != NULL) {
        //****Set COM1 port communication ****
        GetCommState(hCom,&hDcb); // Get current communication information
        hDcb.DCBlength = sizeof(DCB); // Structure size setting
        hDcb.BaudRate = 19200; // Communication speed = 19200 bps
        hDcb.ByteSize = 8; // Data length = 8 bits
        hDcb.Parity = 2; // Parity check at even numbers
        hDcb.StopBits = 2; // Stop bit = 2 bits
        bRet = SetCommState(hCom,&hDcb); // Setting of changed communication information
        if(bRet == TRUE) {
            //**** Set COM1 port timeout ****
            GetCommTimeouts(hCom,&hTim); // Get current timeout values
            hTim.WriteTotalTimeoutConstant = 1000; // Write timeout 1 second
            hTim.ReadTotalTimeoutConstant = 1000; // Read timeout 1 second
            hTim.ReadTotalTimeoutConstantSetCommTimeouts(hCom,&hTim); // Setting of changed timeout values
            //**** Setting of command for switching the station number 1 inverter to the Network operation mode ****
            sprintf(szCommand,"01FB10000"); // Send data (NET operation write)
            nTx = strlen(szCommand); // Send data size
            //**** Generate sum code ****
            nSum = 0; // Initialize sum data
            for(i = 0;i < nTx;i++) {
                nSum += szCommand[i]; // Calculate sum code
                nSum &= (0xff); // Mask data
            }

            //**** Generate send data ****
            memset(szTx,0,sizeof(szTx)); // Initialize send buffer
            memset(szRx,0,sizeof(szRx)); // Initialize receive buffer
            sprintf(szTx,"%5s%02X",szCommand,nSum); // ENQ code + send data + sum code
            nTx = 1 + nTx + 2; // ENQ code + number of send data + number of sum codes

            nRet = WriteFile(hCom,szTx,nTx,&nTx,NULL);
            //**** Send ****
            if(nRet != 0) {
                nRet = ReadFile(hCom,szRx,sizeof(szRx),&nRx,NULL);
                //**** Receive ****
                if(nRet != 0) {
                    //**** Display receive data ****
                    for(i = 0;i < nRx;i++) {
                        printf("%02X ",(BYTE)szRx[i]); // Output received data to console
                        // Display ASCII code in Hexadecimal! In case of 0, "30" is displayed.
                    }
                    printf("\n\r");
                }
            }
        }
        CloseHandle(hCom); // Close communication port
    }
}

```

General flowchart

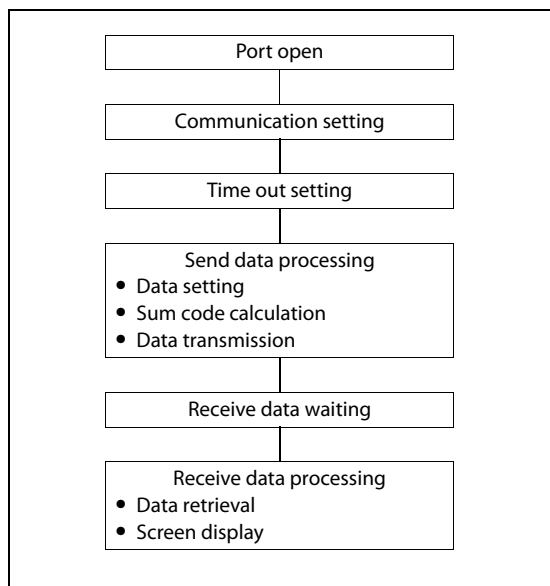


Fig. 5-241:
General flow



CAUTION:

- **Always set the communication check time interval before starting operation to prevent hazardous conditions.**
- **Data communication is not started automatically but is made only once when the computer provides a communication request. If communication is disabled during operation due to signal cable breakage etc., the inverter cannot be stopped. When the communication check time interval has elapsed, the inverter will trip (E.PUE, E.SER). The inverter can be coasted to a stop by switching ON the RES signals or by switching the power OFF.**
- **If communication is broken due to signal cable breakage, computer fault etc., the inverter does not detect such a fault. This should be fully noted.**

Setting items and set data

After completion of parameter settings, set the instruction codes and data, then start communication from the computer to allow various types of operation control and monitoring.

Refer to page 5-505 for data formats (A, A1, A2, B, C, C1, D, E, E1, E2, E3, F).

Item	Read/Write	Instruction code	Data description	Number of data digits (Format) ①																																																								
Operation mode	Read	H7B	H0000: Network operation H0001: External operation H0002: PU operation, External/PU combined operation, PUJOG operation	4 digits (B,E/D)																																																								
	Write	HFB	H0000: Network operation H0001: External operation H0002: PU operation (RS-485 communication operation via PU connector)	4 digits (A,C/D)																																																								
Monitor	Output frequency/speed	Read	H6F	H0000 to HFFFF: Output frequency in 0.01Hz increments (The display can be changed to the rotations per minute using Pr. 37, Pr. 144. (Refer to page 5-196))	4 digits (B,E/D)																																																							
	Output current	Read	H70	H0000 to HFFFF: Output current (hexadecimal) Increment 0.01 A (FR-F820-02330(55K) or lower, FR-F840-01160(55K) or lower) Increment 0.1 A (FR-F820-03160(75K) or higher, FR-F840-01800(75K) or higher)	4 digits (B,E/D)																																																							
	Output voltage	Read	H71	H0000 to HFFFF: Output voltage (hexadecimal) in 0.1 V increments	4 digits (B,E/D)																																																							
	Special monitor	Read	H72	H0000 to HFFFF: Monitor data selected in the instruction code HF3	4 digits (B,E/D)																																																							
	Special monitor selection No.	Read	H73	Monitor selection data (Refer to page 5-198 for details on selection No.)	2 digits (B,E1/D)																																																							
		Write	HF3		2 digits (A1,C/D)																																																							
	Fault record	Read	H74 to H77	<p>H0000 to HFFFF: Two latest fault records</p> <p>H74 <table border="1" style="display: inline-table; vertical-align: middle;"><tr><td style="text-align: center;">b15</td><td style="text-align: center;">b8</td><td style="text-align: center;">b7</td><td style="text-align: center;">b0</td></tr><tr><td colspan="2">Second fault in past</td><td colspan="2">Latest fault</td></tr></table></p> <p>H75 <table border="1" style="display: inline-table; vertical-align: middle;"><tr><td colspan="2">Fourth fault in past</td><td colspan="2">Third fault in past</td></tr></table></p> <p>H76 <table border="1" style="display: inline-table; vertical-align: middle;"><tr><td colspan="2">Sixth fault in past</td><td colspan="2">Fifth fault in past</td></tr></table></p> <p>H77 <table border="1" style="display: inline-table; vertical-align: middle;"><tr><td colspan="2">Eighth fault in past</td><td colspan="2">Seventh fault in past</td></tr></table></p> <p>Fault record display example (instruction code H74)</p> <p>With the read data H30A0 (Last fault : THT) (Present fault : OPT)</p> <p><table border="1" style="display: inline-table; vertical-align: middle;"><tr><td style="text-align: center;">b15</td><td style="text-align: center;">b8</td><td style="text-align: center;">b7</td><td style="text-align: center;">b0</td></tr><tr><td style="text-align: center;">0</td><td style="text-align: center;">0</td><td style="text-align: center;">1</td><td style="text-align: center;">1</td><td style="text-align: center;">0</td><td style="text-align: center;">0</td><td style="text-align: center;">0</td><td style="text-align: center;">0</td><td style="text-align: center;">1</td><td style="text-align: center;">0</td><td style="text-align: center;">1</td><td style="text-align: center;">0</td><td style="text-align: center;">0</td><td style="text-align: center;">0</td><td style="text-align: center;">0</td><td style="text-align: center;">0</td></tr><tr><td colspan="8">Last fault (H30)</td><td colspan="8">Present fault (HA0)</td></tr></table></p> <p>(Refer to page 6-5 for details on fault record read data.)</p>	b15	b8	b7	b0	Second fault in past		Latest fault		Fourth fault in past		Third fault in past		Sixth fault in past		Fifth fault in past		Eighth fault in past		Seventh fault in past		b15	b8	b7	b0	0	0	1	1	0	0	0	0	1	0	1	0	0	0	0	0	Last fault (H30)								Present fault (HA0)							
b15	b8	b7	b0																																																									
Second fault in past		Latest fault																																																										
Fourth fault in past		Third fault in past																																																										
Sixth fault in past		Fifth fault in past																																																										
Eighth fault in past		Seventh fault in past																																																										
b15	b8	b7	b0																																																									
0	0	1	1	0	0	0	0	1	0	1	0	0	0	0	0																																													
Last fault (H30)								Present fault (HA0)																																																				
Operation command (extended)	Write	HF9	Control input commands such as forward rotation signal (STF) and reverse rotation signal (STR) can be set. (For the details, refer to page 5-485.)	4 digits (A, C/D)																																																								
Operation command	Write	HFA		2 digits (A1, C/D)																																																								

Tab. 5-235: Setting of the instruction codes and data (1)

Item	Read/Write	Instruction code	Data description	Number of data digits (Format) ①
Inverter status monitor (extended)	Read	H79	The states of the output signals such as forward rotation, reverse rotation and inverter running (RUN) can be monitored. (For the details, refer to page 5-486.)	4 digits (B,E/D)
Inverter status monitor	Read	H7A		2 digits (B,E1/D)
Set frequency (RAM)	Read	H6D	Read the set frequency/speed from the RAM or EEPROM. H0000 to HFFFF: Set frequency in 0.01Hz increments (The display can be changed to the rotations per minute using Pr. 37, Pr. 144. (Refer to page 5-196))	4 digits (B,E/D)
Set frequency (EEPROM)		H6E		
Set frequency (RAM)	Write	HED	Write the set frequency/speed into the RAM or EEPROM. H0000 to HE678 (0 to 590.00Hz): frequency in 0.01Hz increments (The display can be changed to the rotations per minute using Pr. 37, Pr. 144. (Refer to page 5-196)) To change the set frequency consecutively, write data to the inverter RAM. (Instruction code: HED)	4 digits (A, C/D)
Set frequency (RAM, EEPROM)		HEE		
Inverter reset	Write	HFD	H9696: Inverter reset As the inverter is reset at the start of communication by the computer, the inverter cannot send reply data back to the computer.	4 digits (A, C/D)
			H9966: Inverter reset When data is sent normally, ACK is returned to the computer, and then the inverter is reset.	4 digits (A, D)
Faults history batch clear	Write	HF4	H9696: Faults history batch clear	4 digits (A, C/D)
Parameter clear All parameter clear	Write	HFC	All parameters return to initial values. Whether to clear communication parameters or not can be selected according to the data. <ul style="list-style-type: none"> Parameter clear H9696: Communication parameters are cleared. H5A5A: Communication parameters are not cleared.② All parameter clear H9966: Communication parameters are cleared. H55AA: Communication parameters are not cleared.② For the details of whether or not to clear parameters, refer to page A-5. When a clear is performed with H9696 or H9966, communication related parameter settings also return to the initial values. When resuming the operation, set the parameters again. Performing a clear will clear the instruction code HEC, HF3, and HFF settings. Only H9966 and H55AA (all parameter clear) are valid during the password lock (refer to page 5-76).	4 digits (A, C/D)
Parameter	Read	H00 to H63	Refer to the instruction code (page A-5) and write and/or read parameter values as required.	4 digits (B,E/D)
	Write	H80 to HE3	When setting Pr. 100 and later, the link parameter extended setting must be set.	4 digits (A, C/D)
Link parameter Extended setting	Read	H7F	Parameter settings are switched according to the H00 to H0D settings.	2 digits (B,E1/D)
	Write	HFF	For details of the settings, refer to the instruction code (page A-5).	2 digits (A1, C/D)
Second parameter changing (instruction code HFF = 1, 9)	Read	H6C	When setting the calibration parameters ③ H00: Frequency ④ H01: Parameter-set analog value H02: Analog value input from terminal	2 digits (B,E1/D)
	Write	HEC		2 digits (A1, C/D)
Multi command	Write/Read	HF0	Available for writing 2 commands, and monitoring 2 items for reading data (refer to page 5-487 for detail)	10 digits (A2, C1/D)

Tab. 5-235: Setting of the instruction codes and data (2)

Item		Read/Write	Instruction code	Data description	Number of data digits (Format) ①
Inverter model monitor	Inverter model	Read	H7C	Reading inverter model in ASCII code. "H20" (blank code) is set for blank area Example of "FR-F840-1 (FM type)" H46, H52, H2D, H46, H38, H34, H30, H2D, H31, H20, H20H20	20 digits (B, E3/D)
	Capacity	Read	H7D	Reading inverter ND rated capacity in ASCII code. Data is read in increments of 0.1kW, and rounds down to 0.01kW increments "H20" (blank code) is set for blank area Example: 0.75K..... " 7" (H20, H20, H20, H20, H20, H37)	6 digits (B, E2/D)

Tab. 5-235: Setting of the instruction codes and data (3)

- ① Refer to page 5-470 for data formats (A, A1, A2, B, C, C1, D, E, E1, E2, E3, F)
- ② Turning OFF the power supply while clearing parameters with H5A5A or H55AA returns the communication parameter settings to the initial settings.
- ③ Refer to the calibration parameter list below for details on calibration parameters.
- ④ The gain frequency can be also written using Pr. 125 (instruction code: H99) or Pr. 126 (instruction code: H9A).

NOTES

- Set 65520 (HFFF0) as a parameter value "8888" and 65535 (HFFFF) as "9999".
- For the instruction codes HFF, HEC and HF3, their values are held once written but cleared to zero when an inverter reset or all clear is performed.
- When a 32-bit parameter setting or monitored value is read and the read value exceeds HFFFF, the reply data will be HFFFF.

Example ▾

When reading the C3 (Pr. 902) and C6 (Pr. 904) settings from the inverter of station No. 0.

	Computer send data	Inverter send data	Description
①	ENQ 00 FF 0 01 70	ACK 00	Set "H01" in the extended link parameter
②	ENQ 00 EC 0 01 79	ACK 00	Set "H01" in second parameter changing
③	ENQ 00 5E 0 0A	STX 00 0000 ETX 20	C3 (Pr. 902) is read. 0% is read.
④	ENQ 00 60 0 F6	STX 00 0000 ETX 20	C6 (Pr. 904) is read. 0% is read.

Tab. 5-236: Example for data transmission

To read/write C3 (Pr. 902) or C6 (Pr. 904) after inverter reset or parameter clear, execute from ① again.



List of calibration parameters

Pr.	Name	Instruction code		
		Read	Write	Extended
C2 (902)	Terminal 2 frequency setting bias frequency	5E	DE	1
C3 (902)	Terminal 2 frequency setting bias	5E	DE	1
125 (903)	Terminal 2 frequency setting gain frequency	5F	DF	1
C4 (903)	Terminal 2 frequency setting gain	5F	DF	1
C5 (904)	Terminal 4 frequency setting bias frequency	60	E0	1
C6 (904)	Terminal 4 frequency setting bias	60	E0	1
126 (905)	Terminal 4 frequency setting gain frequency	61	E1	1
C7 (905)	Terminal 4 frequency setting gain	61	E1	1
C12 (917)	Terminal 1 bias frequency (speed)	11	91	9
C13 (917)	Terminal 1 bias (speed)	11	91	9
C14 (918)	Terminal 1 gain frequency (speed)	12	92	9
C15 (918)	Terminal 1 gain (speed)	12	92	9
C16 (919)	Terminal 1 bias command (torque)	13	93	9
C17 (919)	Terminal 1 bias (torque)	13	93	9
C18 (920)	Terminal 1 gain command (torque)	14	94	9
C19 (920)	Terminal 1 gain (torque)	14	94	9
C8 (930)	Current output bias signal	1E	9E	9
C9 (930)	Current output bias current	1E	9E	9
C10 (931)	Current output gain signal	1F	9F	9
C11 (931)	Current output gain current	1F	9F	9
C38 (932)	Terminal 4 bias command (torque)	20	A0	9
C39 (932)	Terminal 4 bias (torque)	20	A0	9
C40 (933)	Terminal 4 gain command (torque)	21	A1	9
C41 (933)	Terminal 4 gain (torque)	21	A1	9
C42 (934)	PID display bias coefficient	22	A2	9
C43 (934)	PID display bias analog value	22	A2	9
C44 (935)	PID display gain coefficient	23	A3	9
C45 (935)	PID display gain analog value	23	A3	9

Tab. 5-237: Calibration parameters

Operation command

Item	Instruction code	Bit length	Description ^{①④}	Example
Operation command	HFA	8 bits	b0: AU (Terminal 4 input selection) b1: Forward rotation command b2: Reverse rotation command b3: RL (Low-speed operation command) b4: RM (Middle-speed operation command) b5: RH (High-speed operation command) b6: RT (Second function selection) b7: MRS (Output stop) ^②	[Example 1] H02 Forward rotation b7 b0 0 0 0 0 0 0 1 0 [Example 2] H00 Stop b7 b0 0 0 0 0 0 0 0 0
Operation command (extended)	HF9	16 bits	b0: AU (Terminal 4 input selection) b1: Forward rotation command b2: Reverse rotation command b3: RL (Low-speed operation command) b4: RM (Middle-speed operation command) b5: RH (High-speed operation command) b6: RT (Second function selection) b7: MRS (Output stop) ^② b8: JOG (Jog operation selection) ^③ b9: CS (No function) ^③ b10: STP (STOP) (Start self-holding selection) ^③ b11: RES (Inverter reset) ^③ b12 to b15: —	[Example 1] H0002 Forward rotation b15 b0 0 0 0 0 0 0 0 0 0 0 0 0 0 0 1 0 [Example 2] H0800 low speed operation (When Pr. 189 RES terminal function selection is set to "0") b15 b0 0 0 0 0 1 0 0 0 0 0 0 0 0 0 0 0

Tab. 5-238: Operation commands

- ① The signal within parentheses () is the initial status. The description changes depending on the setting of Pr. 180 to Pr. 184, Pr. 187 (input terminal function selection) (page 5-285).
- ② The inverter run enable signal is in the initial status for the separated converter type.
- ③ JOG operation/automatic restart after instantaneous power failure/start self-holding selection/reset cannot be controlled over a network, so in the initial status bit8 to bit11 are invalid. To use bit8 to bit11, change the signal by Pr. 185, Pr. 186, Pr. 188, or Pr. 189 (input terminal function selection) (page 5-285). (A reset can be executed by the instruction code HFD.)
- ④ In RS-485 communication from the PU connector, only the forward rotation command and reverse rotation command can be used.

Inverter status monitor

Item	Instruction code	Bit Length	Description ^①	Example																														
Inverter status monitor	H7A	8 bits	b0: RUN (Inverter running) b1: During forward rotation b2: During reverse rotation b3: SU (Up to frequency) b4: OL (Overload warning) b5: IPF (Instantaneous power failure/undervoltage) ^② b6: FU (Output frequency detection) b7: ABC1 (Fault)	[Example 1] H02 --- During forward rotation b7 b0 <table border="1" style="margin-left: auto; margin-right: auto;"> <tr> <td>0</td><td>0</td><td>0</td><td>0</td><td>0</td><td>0</td><td>0</td><td>1</td><td>0</td> </tr> </table> [Example 2] H80 --- Stop at fault occurrence b7 b0 <table border="1" style="margin-left: auto; margin-right: auto;"> <tr> <td>1</td><td>0</td><td>0</td><td>0</td><td>0</td><td>0</td><td>0</td><td>0</td><td>0</td> </tr> </table>	0	0	0	0	0	0	0	1	0	1	0	0	0	0	0	0	0	0												
0	0	0	0	0	0	0	1	0																										
1	0	0	0	0	0	0	0	0																										
Inverter status monitor (extended)	H79	16 bits	b0: RUN (Inverter running) b1: During forward rotation b2: During reverse rotation b3: SU (Up to frequency) b4: OL (Overload warning) b5: IPF (Instantaneous power failure/undervoltage) ^② b6: FU (Output frequency detection) b7: ABC1 (Fault) b8: ABC2 (—) b9: Safety monitor output b10 to b14: — b15: Fault occurrence	[Example 1] H0002 --- During forward rotation b15 <table border="1" style="margin-left: auto; margin-right: auto;"> <tr> <td>0</td><td>0</td><td>0</td><td>0</td><td>0</td><td>0</td><td>0</td><td>0</td><td>0</td><td>0</td><td>0</td><td>0</td><td>0</td><td>0</td><td>0</td> </tr> </table> [Example 2] H8080 --- Stop at fault occurrence b15 <table border="1" style="margin-left: auto; margin-right: auto;"> <tr> <td>1</td><td>0</td><td>0</td><td>0</td><td>0</td><td>0</td><td>0</td><td>0</td><td>0</td><td>1</td><td>0</td><td>0</td><td>0</td><td>0</td><td>0</td> </tr> </table>	0	0	0	0	0	0	0	0	0	0	0	0	0	0	0	1	0	0	0	0	0	0	0	0	1	0	0	0	0	0
0	0	0	0	0	0	0	0	0	0	0	0	0	0	0																				
1	0	0	0	0	0	0	0	0	1	0	0	0	0	0																				

Tab. 5-239: Inverter status monitor

① The signal within parentheses () is the initial status. The description changes depending on the setting of Pr. 190 to Pr. 196 (output terminal function selection).

② No function is assigned in the initial status for the separated converter type.

Multi command (HF0)

- Sending data format from computer to inverter

Format	Number of characters																		
	1	2	3	4	5	6	7	8	9	10	11	12	13	14	15	16	17	18	19
A2	ENQ	Inverter station No.		Instruction Code (HF0)	Wait- ing time	Send data type ①	Receive data type ②	Data1 ③				Data2 ③				Sum check	CR/LF		

- Reply data format from inverter to computer (No data error detected)

Format	Number of characters																		
	1	2	3	4	5	6	7	8	9	10	11	12	13	14	15	16	17	18	19
C1	STX	Inverter station No.	Send data type ①	Receive data type ②	Error code 1 ⑤	Error code 2 ⑤	Data1 ④				Data2 ④				ETX	Sum check	CR/LF		

- ① Specify the data type of sending data (from computer to inverter).
 ② Specify the data type of reply data (from inverter to computer).
 ③ Combination of data 1 and data 2 for sending

Data type	Data 1	Data 2	Remarks
0	Operation command (extended)	Set frequency (RAM)	Run command (extended) is same as instruction code HF9 (Refer to page 5-485)
1	Operation command (extended)	Set frequency (RAM, EEPROM)	

- ④ Combination of data 1 and data 2 for reply

Data type	Data 1	Data 2	Remarks
0	Inverter status monitor (extended)	Output frequency (speed)	Inverter status monitor (extended) is same as instruction code H79. (Refer to page 5-486.) Replies the monitor item specified in instruction code HF3 for special monitor. (Refer to page 5-198.)
1	Inverter status monitor (extended)	Special monitor	

- ⑤ Error code for sending data 1 is set in error code 1, and error code for sending data 2 is set in error code 2.
 Mode error (HA), instruction code error (HB), data range error (HC) or no error (HF) is replied. (Refer to page 6-5 for the details of the error codes.)

5.12.6 MODBUS® RTU communication specification

Operation by MODBUS® RTU communication or parameter setting is possible by using the MODBUS® RTU communication protocol from the RS-485 terminals of the inverter.

Pr.	Name	Initial value	Setting range	Description
331 N030	RS-485 communication station number	0	0	Broadcast communication
			1 to 247	Inverter station number specification Set the inverter station numbers when two or more inverters are connected to one personal computer.
332 N031	RS-485 communication speed	96	3, 6, 12, 24, 48, 96, 192, 384, 576, 768, 1152	Set the communication speed. The setting value × 100 equals the communication speed. For example, if 96 is set, the communication speed is 9600 bps.
334 N034	RS-485 communication parity check selection	2	0	Without parity check Stop bit length 2 bits
			1	With parity check at odd numbers Stop bit length 1 bit
			2	With parity check at even numbers Stop bit length 1 bit
343 N080	Communication error count	0	—	Displays the communication error count during MODBUS® RTU communication. Read-only.
539 N002	MODBUS® RTU communication check time interval	9999	0	MODBUS® RTU communication, but the inverter trips in the NET operation mode.
			0.1 to 999.8 s	Set the interval of the communication check (signal loss detection) time. (same specifications as Pr. 122)
			9999	No communication check (signal loss detection)
549 N000	Protocol selection	0	0	Mitsubishi inverter protocol (computer link)
			1	MODBUS® RTU protocol
			2	BACnet MS/TP protocol

NOTES

To use the MODBUS® RTU protocol, set "1" to Pr. 549 "Protocol selection".

If MODBUS® RTU communication is performed from the master to the address 0 (station number 0), the data is broadcasted, and the inverter does not send any reply to the master. To obtain replies from the inverter, set Pr. 331 "RS-485 communication station number" ≠ "0 (initial value)". Some functions are disabled in broadcast communication. (Refer to page 5-491.)

If a communication option is mounted with Pr. 550 "NET mode operation command source selection" = "9999 (initial value)", commands (operation commands) transmitted via RS-485 terminals become invalid. (Refer to page 5-130.)

Upon delivery the FR-F800-E inverter models are not equipped with the RS-485 terminal block.

Communication specifications

- The communication specifications are given below.

Item	Description	Related parameter	
Communication protocol	MODBUS® RTU protocol	Pr. 549	
Conforming standard	EIA-485 (RS-485)	—	
Connectable units	1:N (maximum 32 units), setting is 0 to 247 stations	Pr. 331	
Communication Speed	Selected among 300/600/1200/2400/4800/9600/19200/38400/57600/76800/115200 bps	Pr. 332	
Control procedure	Asynchronous system	—	
Communication method	Half-duplex system	—	
Communication specifications	Character system	Binary (fixed at 8 bits)	—
	Start bit	1 bit	—
	Stop bit length	Select from the following three types: No parity check, stop bit length 2 bits	Pr. 334
	Parity check	Odd parity check, stop bit length 1 bit Even parity check, stop bit length 1 bit	
	Error check	CRC code check	—
Terminator	Not used	—	
Waiting time setting	Not used	—	

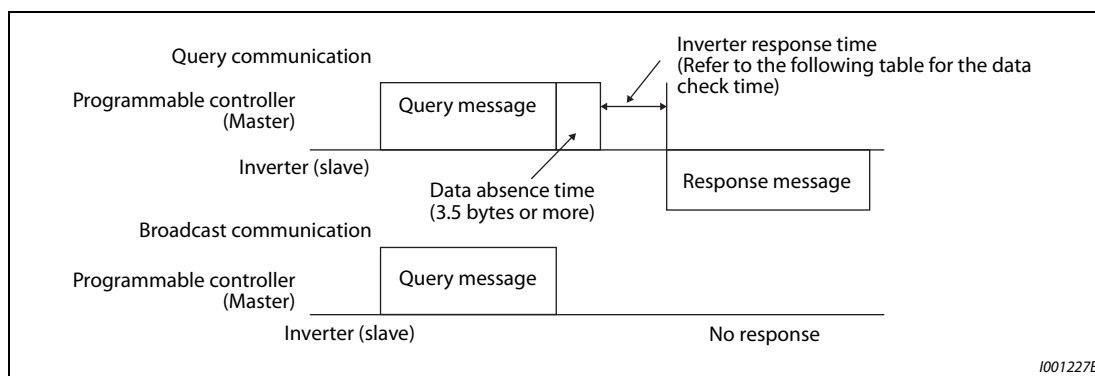
Tab. 5-240: Communication specifications

Outline

- The MODBUS® communication protocol was developed by Modicon for programmable controllers.
- The MODBUS® protocol uses exclusive message frames to perform serial communication between a master and slaves. These exclusive message frames are provided with a feature called "functions" that allows data to be read or written. These functions can be used to read or write parameters from the inverter, write input commands to the inverter or check the inverter's operating status, for example. This product classifies the data of each inverter into holding register area (register address 40001 to 49999). The master can communicate with inverters (for instance, slaves) by accessing pre-assigned holding register addresses.

NOTE

There are two serial transmission modes, the ASCII (American Standard Code for Information Interchange) mode and the RTU (Remote Terminal Unit) mode. However, this product supports only the RTU mode, which transfers 1 byte data (8 bits) as it is. Also, only communication protocol is defined by the MODBUS® protocol. Physical layers are not stipulated.

Message format**Fig. 5-242:** Message format

- Data check time

Item	Check time
Various monitors, operation command, Frequency setting (RAM)	< 12 ms
Parameter read/write, Frequency setting (EEPROM)	< 30 ms
Parameter clear / all clear	< 5 s
Reset command	No answer

Tab. 5-241: Data check time

- Query
A message is sent to the slave (for instance, the inverter) having the address specified by the master.
- Normal Response
After the query from the master is received, the slave executes the request function, and returns the corresponding normal response to the master.
- Error Response
When an invalid function code, address or data is received by the slave, the error response is returned to the master.
This response is appended with an error code that indicates the reason why the request from the master could not be executed.
This response cannot be returned for errors, detected by the hardware, frame error and CRC check error.
- Broadcast
The master can broadcast messages to all slaves by specifying address 0. All slaves that receive a message from the master execute the requested function. With this type of communication, slaves do not return a response to the master.

NOTE

During broadcast communication, functions are executed regardless of the set inverter station number (Pr. 331).

Message frame (protocol)

● Communication method

Basically, the master sends a Query message (question), and slaves return the Response message (response). At normal communication, the Device address and Function code are copied as they are, and at erroneous communication (illegal function code or data code), bit7 (= 80 h) of the Function code is turned ON, and the error code is set at Data bytes.

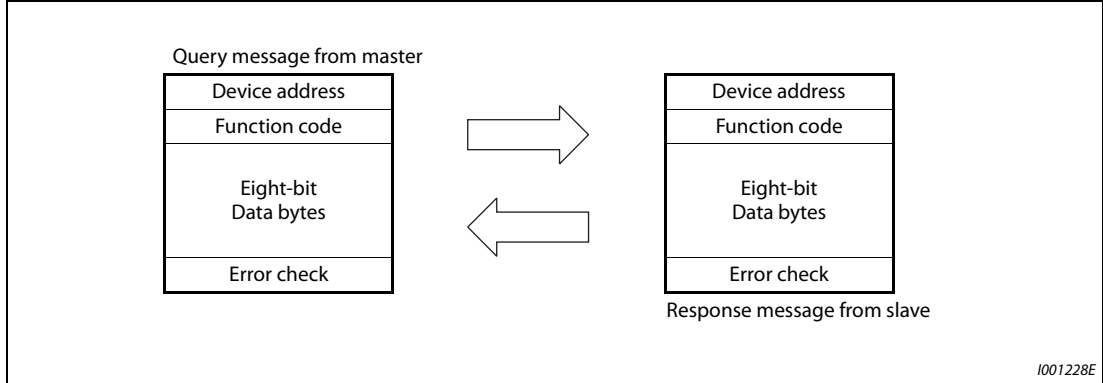


Fig. 5-243: Data transmission

Message frames comprise of the four message fields shown in the figures above.

A slave recognizes message data as a message by the message data being prefixed and appended with a no data time of 3.5 characters (T1: start/end).

● Details of protocol

The following table explains the four message fields.

Start	Address	Function	Data	CRC check		End
T1	8 bits	8 bits	n × 8 bits	L 8 bits	H 8 bits	T1

Message field	Description
Address field	0 to 247 can be set in single byte lengths (8 bits). Set "0" when sending broadcast messages (instructions to all addresses), and "1 to 247" to send messages to individual slaves. The address set by the master is also returned when the response from the slave is. The value set to Pr. 331 "RS-485 communication station number" is the slave address.
Function field	1 to 255 can be set in single byte lengths (8 bits) for the function code. The master sets the function to be sent to the slave as the request, and the slave performs the requested operation. "Function code list" summarizes the supported function codes. An error response is generated when a function code other than "Function code list" is set. At a response from the slave, the function code set by the master is returned in the case of a normal response. At an error response, H80 + the function code is returned.
Data field	The format changes according to the function code. (Refer to page 5-492.) The data, for example, includes the byte count, number of bytes and accessing content of holding registers.
CRC check field	Errors in the received message frame are detected. Errors are detected in the CRC check, and the message is appended with data 2 bytes long. When the message is appended with the CRC, the lower bytes are appended first, followed by the upper bytes. The CRC value is calculated by the sender that appends the message with the CRC. The receiver recalculates the CRC while the message is being received, and compares the calculation result against the actual value that was received in the error check field. If the two values do not match, the result is treated as an error.

Tab. 5-242: Protocol details

Function code list

Function name	Read/Write	Code	Outline	Broadcast communication	Message format reference page
Read holding register	Read	H03	The data of the holding registers is read. The various data of the inverter can be read from MODBUS® registers. System environmental variable (Refer to page 5-499.) Real time monitor (Refer to page 5-199.) Faults history (Refer to page 5-503.) Model information monitor (Refer to page 5-503.) Inverter parameters (Refer to page 5-501.)	Not available	5-493
Preset single register	Write	H06	Data is written to holding registers. Data can be written to MODBUS® registers to output instructions to the inverter or set parameters. System environmental variable (Refer to page 5-499.) Inverter parameters (Refer to page 5-501.)	Available	5-494
Diagnostics	Read	H08	Functions are diagnosed. (communication check only) A communication check can be made since the query message is sent and the query message is returned as it is as the return message (subfunction code H00 function). Subfunction code H00 (Return Query Data)	Not available	5-495
Preset multiple registers	Write	H10	Data is written to consecutive multiple holding registers. Data can be written to consecutive multiple MODBUS® registers to output instructions to the inverter or set parameters. System environmental variable (Refer to page 5-499.) Inverter parameters (Refer to page 5-501.)	Available	5-496
Read holding register access log	Read	H46	The number of registers that were successfully accessed by the previous communication is read. Queries by function codes H03 and H10 are supported. The number and start address of holding registers successfully accessed by the previous communication are returned. "0" is returned for both the number and start address for queries other than function code H03 and H10.	Not available	5-497

Tab. 5-243: Function code list

Read holding register (reading of data of holding registers) (H03 or 03)

● Query message

① Slave address	② Function	③ Starting address		④ No. of points		CRC check	
(8 bits)	H03 (8 bits)	H (8 bits)	L (8 bits)	H (8 bits)	L (8 bits)	L (8 bits)	H (8 bits)

● Normal response (Response message)

① Slave address	② Function	⑤ Byte count	⑥ Data				CRC check	
(8 bits)	H03 (8 bits)	(8 bits)	H (8 bits)	L (8 bits)	...	(n × 16 bits)	L (8 bits)	H (8 bits)

● Query message setting

Message	Description
① Slave address	Set the address to send messages to. Broadcast communication is not possible. (Invalid when "0" is set.)
② Function	Set H03.
③ Starting address	Set the address from which to start reading of data from the holding register. Start address = start register address (decimal) – 40001 For example, when start register address 0001 is set, the data of holding register address 40002 is read.
④ No. of points	Set the number of holding registers to read. Data can be read from up to 125 registers.

Tab. 5-244: Description of the query message

● Content of normal response

Message	Description
⑤ Byte count	The setting range is H02 to HFA (2 to 250). Twice the number of reads specified by ④ is set.
⑥ Data	The amount of data specified by ④ is set. Read data is output Hi bytes first followed by Lo bytes, and is arranged as follows: data of start address, data of start address + 1, data of start address + 2, and so forth.

Tab. 5-245: Description of normal response**Example** ▾

Read the register values of 41004 (Pr. 4) to 41006 (Pr. 6) from slave address 17 (H11).

Query message

Slave address	Function	Starting address		No. of points		CRC check	
H11 (8 bits)	H03 (8 bits)	H03 (8 bits)	HEB (8 bits)	H00 (8 bits)	H03 (8 bits)	H77 (8 bits)	H2B (8 bits)

Response message

Slave address	Function	Byte count	Data						CRC check	
H11 (8 bits)	H03 (8 bits)	H06 (8 bits)	H17 (8 bits)	H70 (8 bits)	H0B (8 bits)	HB8 (8 bits)	H03 (8 bits)	HE8 (8 bits)	H2C (8 bits)	HE6 (8 bits)

Read value

Register 41004 (Pr. 4): H1770 (60.00 Hz)

Register 41005 (Pr. 5): H0BB8 (30.00 Hz)

Register 41006 (Pr. 6): H03E8 (10.00 Hz)



Preset single register (writing of data to holding registers) (H06 or 06)

- The content of the "system environmental variables" and "inverter parameters" assigned to the holding register area (refer to the register list (page 5-499)) can be written.
- Query message

① Slave address	② Function	③ Register address		④ Preset data		CRC check	
(8 bits)	H06 (8 bits)	H (8 bits)	L (8 bits)	H (8 bits)	L (8 bits)	L (8 bits)	H (8 bits)

- Normal response (Response message)

① Slave address	② Function	③ Register address		④ Preset data		CRC check	
(8 bits)	H06 (8 bits)	H (8 bits)	L (8 bits)	H (8 bits)	L (8 bits)	L (8 bits)	H (8 bits)

- Query message setting

Message	Description
① Slave address	Set the address to send messages to. Setting "0" enables broadcast communication.
② Function	Set H06.
③ Register address	Set the address from data is written to the holding register. Register address = holding register address (decimal) - 40001 For example, when register address 0001 is set, data is written to holding register address 40002.
④ Preset data	Set the data to write to the holding register. Write data is fixed at 2 bytes.

Tab. 5-246: Description of the query message

- Content of normal response
With a normal response, the content is the same as ① to ④ (including the CRC check) query messages.
In the case of broadcast communication, no response is returned.

Example ▾

Write 60 Hz (H1770) to 40014 (running frequency) of slave address 5 (H05).

Query message

Slave address	Function	Register address		Preset data		CRC check	
H05 (8 bits)	H06 (8 bits)	H00 (8 bits)	H0D (8 bits)	H17 (8 bits)	H70 (8 bits)	H17 (8 bits)	H99 (8 bits)

Normal response (Response message)

Same data as query message.

**NOTE**

With broadcast communication, no response is generated even if a query is executed, so when the next query is made, it must be made after waiting for the inverter data processing time after the previous query is executed.

Diagnostics (diagnosis of functions) (H08 or 08)

- A communication check can be made since the query message is sent and the query message is returned as it is as the return message (subfunction code H00 function).
Subfunction code H00 (Return Query Data)
- Query message

① Slave address	② Function	③ Subfunction		④ Data		CRC check	
(8 bits)	H08 (8 bits)	H00 (8 bits)	H00 (8 bits)	H (8 bits)	L (8 bits)	L (8 bits)	H (8 bits)

- Normal response (Response message)

① Slave address	② Function	③ Subfunction		④ Data		CRC check	
(8 bits)	H08 (8 bits)	H00 (8 bits)	H00 (8 bits)	H (8 bits)	L (8 bits)	L (8 bits)	H (8 bits)

- Query message setting

Message	Description
① Slave address	Set the address to send messages to. Broadcast communication is not possible. (Invalid when "0" is set.)
② Function	Set H08.
③ Subfunction	Set H0000.
④ Data	Any data 2 bytes long can be set. Setting range is H0000 to HFFFF.

Tab. 5-247: Description of the query message

- Content of normal response
With a normal response, the content is the same as ① to ④ (including the CRC check) query messages.

NOTE

With broadcast communication, no response is generated even if a query is executed, so when the next query is made, it must be made after waiting for the inverter data processing time after the previous query is executed.

Preset multiple registers (writing of data to multiple holding registers) (H10 or 16)

- Data can be written to multiple holding registers.
- Query message

① Slave address	② Function	③ Starting address		④ No. of registers		⑤ Byte count	⑥ Data			CRC check	
(8 bits)	H10 (8 bits)	H (8 bits)	L (8 bits)	H (8 bits)	L (8 bits)	(8 bits)	H (8 bits)	L (8 bits)	... (n × 2 × 8 bits)	L (8 bits)	H (8 bits)

- Normal response (Response message)

① Slave address	② Function	③ Starting address		④ No. of registers		CRC check	
(8 bits)	H10 (8 bits)	H (8 bits)	L (8 bits)	H (8 bits)	L (8 bits)	L (8 bits)	H (8 bits)

- Query message setting

Message	Description
① Slave address	Set the address to send messages to. Setting "0" enables broadcast communication.
② Function	Set H10.
③ Starting address	Set the address from which to start writing of data to the holding register. Start address = start register address (decimal) - 40001 For example, when start register address 0001 is set, the data of holding register address 40002 is read.
④ No. of points	Set the number of holding registers to write to. Data can be written to up to 125 registers.
⑤ Byte count	The setting range is H02 to HFA (2 to 250). Set twice the value specified by d.
⑥ Data	Set the amount of data specified by d. Set write data Hi bytes first followed by Lo bytes, and arrange it as follows: data of start address, data of start address+1, data of start address+2, and so forth.

Tab. 5-248: Description of the query message

- Content of normal response
With a normal response, the content is the same as ① to ④ (including the CRC check) query messages.

Example ▽

Write 0.5 s (H05) to 41007 (Pr. 7) and 1 s (H0A) to 41008 (Pr. 8) of slave address 25 (H19).

Query message

Slave address	Function	Starting address		No. of points		Byte count	Data				CRC check
H19 (8 bits)	H10 (8 bits)	H03 (8 bits)	HEE (8 bits)	H00 (8 bits)	H02 (8 bits)	H04 (8 bits)	H00 (8 bits)	H05 (8 bits)	H00 (8 bits)	H0A (8 bits)	H86 (8 bits)

Normal response (Response message)

Slave address	Function	Starting address		No. of points		CRC check	
H19 (8 bits)	H10 (8 bits)	H03 (8 bits)	HEE (8 bits)	H00 (8 bits)	H02 (8 bits)	H22 (8 bits)	H61 (8 bits)



Read holding register access log (H46 or 70)

- Queries by function codes H03 and H10 are supported.
The number and start address of holding registers successfully accessed by the previous communication are returned.
"0" is returned for both the number and start address for queries other than the function codes.
- Query message

① Slave address	② Function	CRC check	
(8 bits)	H46 (8 bits)	L (8 bits)	H (8 bits)

- Normal response (Response message)

① Slave address	② Function	③ Starting address		④ No. of points		CRC check	
(8 bits)	H46 (8 bits)	H (8 bits)	L (8 bits)	H (8 bits)	L (8 bits)	L (8 bits)	H (8 bits)

- Query message setting

Message	Description
① Slave address	Set the address to send messages to. Broadcast communication is not possible. (Invalid when "0" is set.)
② Function	Set H46.

Tab. 5-249: Description of the query message

- Content of normal response

Message	Description
③ Starting address	The start address of the holding register that was successfully accessed is returned. Start address = start register address (decimal) – 40001 For example, when start address 0001 is returned, the holding register address that was successfully accessed is 40002.
④ No. of points	The number of holding registers that were successfully accessed is returned.

Tab. 5-250: Description of normal response**Example** ▾

Read the successful register start address and number of successful accesses from slave address 25 (H19).

Query message

Slave address	Function	CRC check	
H19 (8 bits)	H46 (8 bits)	H8B (8 bits)	HD2 (8 bits)

Normal response (Response message)

Slave address	Function	Starting address		No. of points		CRC check	
H19 (8 bits)	H10 (8 bits)	H03 (8 bits)	HEE (8 bits)	H00 (8 bits)	H02 (8 bits)	H22 (8 bits)	H61 (8 bits)

Two successful reads of start address 41007 (Pr. 7) are returned.



Error response

- An error response is returned if the query message received from the master contains an illegal function, address or data.
No response is returned for parity, CRC, overrun, framing, and Busy errors.

NOTE

No response is also returned in the case of broadcast communication.

- Error response (Response message)

① Slave address	② Function	③ Exception code	CRC check	
(8 bits)	H80 + Function (8 bits)	(8 bits)	L (8 bits)	H (8 bits)

	Message	Description
①	Slave address	Set the address received from the master.
②	Function	The function code requested by the master + H80 is set.
③	Exception code	The codes in the following table are set.

Tab. 5-251: Description of response data

- Error code list

Code	Error item	Error description
01	ILLEGAL FUNCTION	The query message from the master is set with a function code that cannot be handled by the slave.
02	ILLEGAL DATA ADDRESS ①	The query message from the master is set with a register address that cannot be handled by the inverter. (No parameter, parameter cannot be read, parameter cannot be written)
03	ILLEGAL DATA VALUE	The query message from the master is set with data that cannot be handled by the inverter. (Out of parameter write range, a mode is specified, other error)

Tab. 5-252: Error code list

- ① An error does not occur in the following cases:

- Function code H03 (read data of holding register)
When there are 1 or more number of reads (No. of Points) and there is 1 or more holding register from where data can be read
- Function code H10 (write data to multiple holding registers)
When there are 1 or more number of writes (No. of Points) and there is 1 or more holding registers to which data can be written.

In other words, when function code H03 or H10 is used and multiple holding registers are accessed, an error will not occur even if a non-existent holding register or holding register that cannot be read or written is accessed.

NOTE

An error will occur if all accesses holding registers do not exist. The data read value of non-existent holding registers is 0, and data is invalid when written to non-existent holding registers.

Error detection of message data

The following errors are detected in message data from the master. The inverter is not tripped even if an error is detected.

Error item	Error description	Inverter operation
Parity error	The data received by the inverter is different from the specified parity (Pr. 334 setting).	When this error occurs, Pr. 343 is incremented by one. When this error occurs, the LF signal is output.
Framing error	The data received by the inverter is different from the stop bit length (Pr. 334) setting.	
Overrun error	The next data has been sent by the master before the inverter completes receiving the preceding data.	
Message frame error	The data length of the message frame is checked, and an error is generated if the received data length is less than 4 bytes.	
CRC check error	An error is generated if the data in the message frame does not match the calculation result.	

Tab. 5-253: Error check items

NOTE

The LF signal can be assigned to an output terminal by setting Pr. 190 to Pr. 196 (output terminal function selection). Changing the terminal assignment may affect other functions. Set parameters after confirming the function of each terminal.

MODBUS® register

- System environmental variables

Register	Definition	Read/Write	Remarks
40002	Inverter reset	Write	Any value can be written
40003	Parameter clear	Write	Set H965A for the write value.
40004	All parameter clear	Write	Set H99AA for the write value.
40006	Parameter clear ①	Write	Set H5A96 for the write value.
40007	All parameter clear ①	Write	Set HAA99 for the write value.
40009	Inverter status/control input command ②	Read/Write	Refer to the following.
40010	Operation mode/inverter setting ③	Read/Write	Refer to the following.
40014	Running frequency (RAM value)	Read/Write	The display can be changed to the rotations per minute using Pr. 37, Pr. 144. (Refer to page 5-196.)
40015	Running frequency (EEPROM value)	Write	

Tab. 5-254: System environment variable

- ① Communication parameter settings are not cleared.
- ② At a write, the data is set as the control input command.
At a read, the data is read as the inverter running status.
- ③ At a write, the data is set as the operation mode setting.
At a read, the data is read as the operation mode setting.

Bit	Definition	
	Control input command	Inverter status
0	Stop command	RUN (Inverter running) ③
1	Forward rotation command	During forward rotation
2	Reverse rotation command	During reverse rotation
3	RH (High-speed operation command) ①	SU (Up to frequency) ③
4	RM (Middle-speed operation command) ①	OL (Overload warning) ③
5	RL (Low-speed operation command) ①	IPF (Instantaneous power failure/undervoltage) ③ ④
6	JOG (Jog operation selection) ①	FU (Output frequency detection) ③
7	RT (Second function selection) ①	ABC1 (Fault) ③
8	AU (Terminal 4 input selection) ①	ABC2 (—) ③
9	CS (No function) ①	Safety monitor output
10	MRS (Output stop) ① ②	0
11	STP (STOP) (Start self-holding selection) ①	0
12	RES (Inverter reset) ①	0
13	0	0
14	0	0
15	0	Fault occurrence

Tab. 5-255: Inverter status/control input command

- ① The signal within parentheses () is the initial status. The description changes depending on the setting of Pr. 180 to Pr. 189 (input terminal function selection) (page 5-285).
For each of the assigned signals, some signals are enabled by NET and some are disabled. (Refer to page 5-137.)
- ② The inverter run enable signal is in the initial status for the separated converter type.
- ③ The signal within parentheses () is the initial status. The description changes depending on the setting of Pr. 190 to Pr. 196 (output terminal function selection) (page 5-231).
- ④ No function is assigned in the initial status for the separated converter type.

Mode	Read value	Write value
EXT	H0000	H0010 ①
PU	H0001	H0011 ①
EXT JOG	H0002	—
PU JOG	H0003	—
NET	H0004	H0014
PU+EXT	H0005	—

Tab. 5-256: Operation mode/inverter setting

- ① Enable/disable parameter writing by Pr. 79 and Pr. 340 settings. For the details, refer to page 5-128.

Restrictions in each operation mode conform with the computer link specification.

- Real-time monitor
Refer to page 5-198 for the register numbers and monitored items of the real time monitor.

● Parameters

Pr.	Register	Name	Read/Write	Remarks
0 to 999	41000 to 41999	For details on parameter names, refer to the parameter list (page 5-2).	Read/Write	The parameter number + 41000 is the register number.
C2 (902)	41902	Terminal 2 frequency setting bias (frequency)	Read/Write	
C3 (902)	42092	Terminal 2 frequency setting bias (analog value)	Read/Write	Analog value (%) set to C3 (902)
	43902	Terminal 2 frequency setting bias (terminal analog value)	Read	Analog value (%) of voltage (current) applied to terminal 2
125 (903)	41903	Terminal 2 frequency setting gain (frequency)	Read/Write	
C4 (903)	42093	Terminal 2 frequency setting gain (analog value)	Read/Write	Analog value (%) set to C4 (903)
	43903	Terminal 2 frequency setting gain (terminal analog value)	Read	Analog value (%) of voltage (current) applied to terminal 2
C5 (904)	41904	Terminal 4 frequency setting bias (frequency)	Read/Write	
C6 (904)	42094	Terminal 4 frequency setting bias (analog value)	Read/Write	Analog value (%) set to C6 (904)
	43904	Terminal 4 frequency setting bias (terminal analog value)	Read	Analog value (%) of current (voltage) applied to terminal 4
126 (905)	41905	Terminal 4 frequency setting gain (frequency)	Read/Write	
C7 (905)	42095	Terminal 4 frequency setting gain (analog value)	Read/Write	Analog value (%) set to C7 (905)
	43905	Terminal 4 frequency setting gain (terminal analog value)	Read	Analog value (%) of current (voltage) applied to terminal 4
C12 (917)	41917	Terminal 1 bias frequency (speed)	Read/Write	
C13 (917)	42107	Terminal 1 bias (speed)	Read/Write	Analog value (%) set to C13 (917)
	43917	Terminal 1 bias (speed) (terminal analog value)	Read	Analog value (%) of voltage applied to terminal 1
C14 (918)	41918	Terminal 1 gain frequency (speed)	Read/Write	
C15 (918)	42108	Terminal 1 gain (speed)	Read/Write	Analog value (%) set to C15 (918)
	43918	Terminal 1 gain (speed) (terminal analog value)	Read	Analog value (%) of voltage applied to terminal 1
C16 (919)	41919	Terminal 1 bias command (torque)	Read/Write	
C17 (919)	42109	Terminal 1 bias (torque)	Read/Write	Analog value (%) set to C17 (919)
	43919	Terminal 1 bias (torque) (terminal analog value)	Read	Analog value (%) of voltage applied to terminal 1
C18 (920)	41920	Terminal 1 gain command (torque)	Read/Write	
C19 (920)	42110	Terminal 1 gain (torque)	Read/Write	Analog value (%) set to C19 (920)
	43920	Terminal 1 gain (torque) (terminal analog value)	Read	Analog value (%) of voltage applied to terminal 1
C8 (930)	41930	Current output bias signal	Read/Write	
C9 (930)	42120	Current output bias current	Read/Write	Analog value (%) set to C9 (930)
C10 (931)	41931	Current output gain signal	Read/Write	
C11 (931)	42121	Current output gain current	Read/Write	Analog value (%) set to C11 (931)

Tab. 5-257: Parameters (1)

Pr.	Register	Name	Read/Write	Remarks
C38 (932)	41932	Terminal 4 bias command (torque)	Read/Write	
C39 (932)	42122	Terminal 4 bias (torque)	Read/Write	Analog value (%) set to C39 (932)
	43932	Terminal 4 bias (torque) (terminal analog value)	Read	Analog value (%) of current (voltage) applied to terminal 4
C40 (933)	41933	Terminal 4 gain command (torque)	Read/Write	
C41 (933)	42123	Terminal 4 gain (torque)	Read/Write	Analog value (%) set to C41 (933)
	43933	Terminal 4 gain (torque) (terminal analog value)	Read	Analog value (%) of current (voltage) applied to terminal 4
C42 (934)	41934	PID display bias coefficient	Read/Write	
C43 (934)	42124	PID display bias analog value	Read/Write	Analog value (%) set to C43 (934)
	43934	PID display bias analog value (terminal analog value)	Read	Analog value (%) of current (voltage) applied to terminal 4
C44 (935)	41935	PID display gain coefficient	Read/Write	
C45 (935)	42125	PID display gain analog value	Read/Write	Analog value (%) set to C45 (935)
	43935	PID display gain analog value (terminal analog value)	Read	Analog value (%) of current (voltage) applied to terminal 4
1000 to 1999	45000 to 45999	For details on parameter names, refer to the parameter list (page 5-2).	Read/Write	The parameter number + 44000 is the register number.

Tab. 5-257: Parameters (2)

● Faults history

Register	Definition	Read/Write	Remarks
40501	Faults history 1	Read/Write	Data is 2 bytes and so is stored in "H0000". The lowest 1 byte can be referred to for the error code. (For details on error codes, refer to page 6-5.) The faults history is batch-cleared by writing to register 40501. Set any value for the data.
40502	Faults history 2	Read	
40503	Faults history 3	Read	
40504	Faults history 4	Read	
40505	Faults history 5	Read	
40506	Faults history 6	Read	
40507	Faults history 7	Read	
40508	Faults history 8	Read	

Tab. 5-258: Faults history

● Model information monitor

Register	Definition	Read/Write	Remarks
44001	Model (First and second characters)	Read	Reading inverter type in ASCII code. "H20" (blank code) is set for blank area. Example of FR-F840-1 (FM type) H46, H52, H2D, H46, H38, H34, H30, H2D, H31, H20 ... H20
44002	Model (Third and fourth characters)	Read	
44003	Model (Fifth and sixth characters)	Read	
44004	Model (Seventh and eighth characters)	Read	
44005	Model (Ninth and tenth characters)	Read	
44006	Model (Eleventh and twelfth characters)	Read	
44007	Model (Thirteenth and fourteenth characters)	Read	
44008	Model (Fifteenth and sixteenth characters)	Read	
44009	Model (Seventeenth and eighteenth characters)	Read	
44010	Model (Nineteenth and twentieth characters)	Read	
44011	Capacity (First and second characters)	Read	Reading inverter capacity in ASCII code. Data is read in increments of 0.1 kW, and rounds down to 0.01 kW increments. "H20" (blank code) is set for blank area. Example: 0.75K "7" (H20, H20, H20, H20, H20, H37)
44012	Capacity (Third and fourth characters)	Read	
44013	Capacity (Fifth and sixth characters)	Read	

Tab. 5-259: Inverter type monitor

NOTE

When a 32-bit parameter setting or monitored value is read and the read value exceeds HFFFF, the reply data will be HFFFF.

Pr. 343 "Communication error count"

The communication error occurrence count can be checked.

Parameter	Setting range	Minimum setting range	Initial value
343	(Read only)	1	0

Tab. 5-260: Number of communication errors

NOTE

The communication error count is temporarily stored in the RAM memory. The value is not stored in EEPROM, and so is cleared to 0 when power is reset and the inverter is reset.

Output signal LF "alarm output (communication error warning)"

During a communication error, the alarm signal (LF signal) is output by open collector output. Assign the terminal to be used using any of Pr. 190 to Pr. 196 (output terminal function selection).

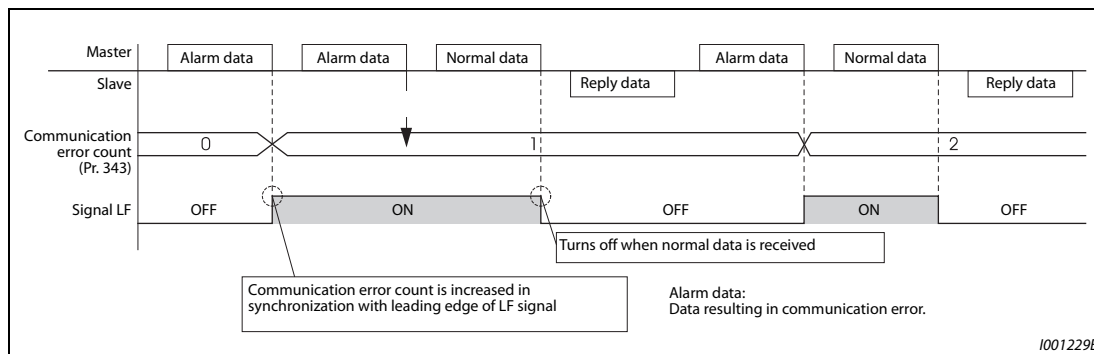


Fig. 5-244: Output of the LF signal

NOTE

The LF signal can be assigned to an output terminal by setting Pr. 190 to Pr. 196. Changing the terminal assignment may affect other functions. Set parameters after confirming the function of each terminal.

Signal loss detection (Pr. 539 "MODBUS® RTU communication check time interval")

- If a signal loss (communication) is detected between the inverter and the master as a result of a signal loss detection, an inverter communication fault (E.SER) occurs and the inverter trips.
- When the setting is "9999", communication check (signal loss detection) is not made.
- When the setting is "0", reading, etc. of monitors and parameters is possible, though a Communication fault (inverter) (E.SER) occurs instantly when the Network operation mode is switched to.
- A signal loss detection is made when the setting is any of "0.1 s to 999.8 s". To make a signal loss detection, it is necessary to send data from the master within the communication check time interval. (The inverter makes a communication check (clearing of communication check counter) regardless of the station number setting of the data sent from the master).
- The communication check is made from the first communication in the Network operation mode (can be changed by Pr. 551 "PU mode operation command source selection").
- The communication check time by query communication includes a no data time (3.5 bytes). This no data time differs according to the communication speed, so take this time no data time into consideration when setting the communication check time.

Example ▾

RS-485 terminal communication, Pr. 539 = "0.1 to 999.8s"

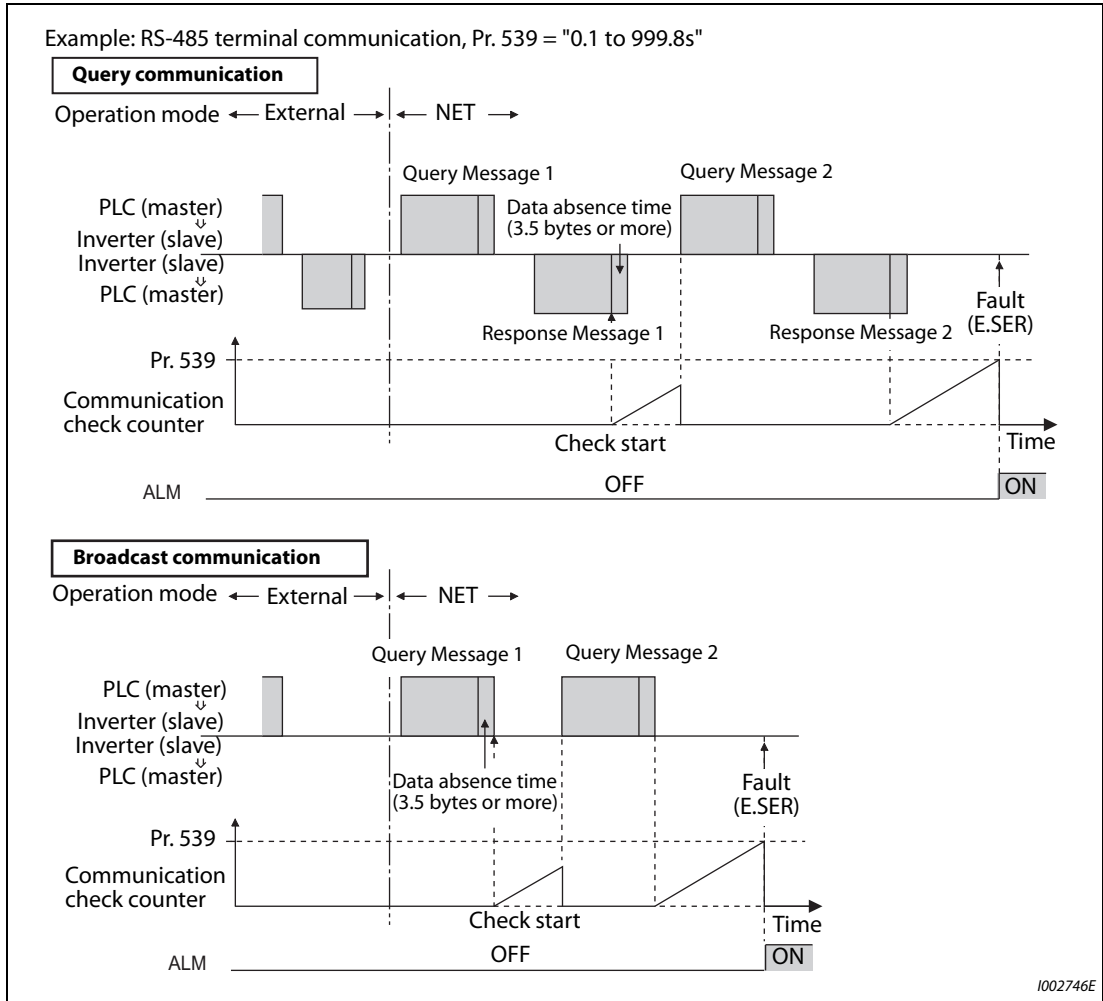


Fig. 5-245: Signal loss detection



NOTE

For the RS-485 terminal communication, the operation at a communication error occurrence depends on the Pr. 502 "Stop mode selection at communication error" setting. (Refer to page 5-459.)

5.12.7 BACnet MS/TP protocol

Using BACnet MS/TP protocol, communication operation and parameter setting are available from the RS-485 terminals of the inverter.

Pr. No.	Name	Initial Value		Setting Range	Description
52 M100	Operation panel main monitor selection	0		0, 5 to 14, 17, 18, 20, 23 to 25, 34, 38, 40 to 45, 50 to 57, 61, 62, 64, 67 to 69	<ul style="list-style-type: none"> • 81: BACnet reception status • 82: BACnet token pass counter (Displays the count of received token) • 83: BACnet valid APDU counter (Displays the count of valid APDU detection) • 84: BACnet communication error counter (Displays the count of communication error) • 85: Terminal FM/CA output level (Same display as Analog output 0) • 86: Terminal AM output level (Same display as Analog output 1) The count of the setting values "82" and "83" returns to "0" if the count exceeds "9999". The upper limit of the count of the setting value "84" is "9999".
774 M101	Operation panel monitor selection 1	9999		1 to 3, 5 to 14, 17, 18, 20, 23 to 25, 34, 38, 40 to 45, 50 to 57, 61, 62, 64, 67 to 69, 81 to 96, 98, 100	
775 M102	Operation panel monitor selection 2				
776 M103	Operation panel monitor selection 3				
331 N030	RS-485 communication station number	0		0 to 127 ^①	Set the inverter station number (node).
332 N031	RS-485 communication speed	96		96, 192, 384, 576, 768, 1152 ^{① ②}	Set the communication speed. The setting value × 100 equals the communication speed. For example, the communication speed is 9600 bps when the setting value is "96".
390 N054	% setting reference frequency	50Hz		1 to 590 Hz	Set a reference frequency of the set frequency.
549 N000	Protocol selection	60 Hz	50 Hz	0	Mitsubishi inverter (computer link) protocol
				1	MODBUS [®] RTU protocol
				2	BACnet MS/TP protocol
726 N050	Auto Baudrate/Max Master	255		0 to 255	Auto baud rate (bit7) 0: Inactive 1: Active) Max Master (bit0 to bit6) setting range: 0 to 127 Maximum address for master node
727 N051	Max Info Frames	1		1 to 255	Set the maximum number of frames that the inverter can transmit while it owns the token.
728	Device instance number (Upper 3 digit)	0		0 to 419 (0 to 418)	Device identifier When the combination of Pr.728 and Pr.729 is not within "0 to 4194302", the setting is out of range. Example: When Pr. 728 = "419", setting range of Pr. 729 is "0 to 4302". When Pr. 729 = "4303" or more, setting range of Pr. 728 is "0 to 418".
729	Device instance number (Lower 4 digit)	0		0 to 9999 (0 to 4302)	

^① When the set value is outside of the setting range, the initial value is applied.

^② When the Auto baudrate is used, the communication speed is changed to the detected communication speed.

Communication specifications

The specifications conform to the BACnet standard of physical medium EIA-485.

Item	Description
Physical medium	EIA-485 (RS-485)
Connection port	RS-485 terminal (PU connector is not available)
Data transfer method	NRZ encoding
Baud rate	9600 bps, 19200 bps, 38400 bps, 57600 bps, 76800 bps, 115200 bps
Start bit	Fixed to 1bit
Data length	Fixed to 8bits
Parity bit	Fixed to none
Stop bit	Fixed to 1bit
Network topology	Bus topology
Communication method	Token passing (token bus) Master-slave (only the master is available for this product)
Communication protocol	MS/TP (master-slave/token passing LAN)
Maximum connection	255 (up to 32 for one segment, addition with a repeater is available)
Node number	0 to 127
Master	0 to 127 (this product is the master)
Supported property of BACnet standard object type	Refer to page 5-510
Supported BIBBs (Annex K)	Refer to page 5-520
BACnet standard device profile (Annex L)	Refer to page 5-520
Segmentation	Not supported
Device address binding	Not supported

Tab. 5-261: BACnet communication specifications

NOTES

This product conforms to BACnet Application Specific Controller (B-ASC).

This product is designed for multiple master network, therefore 2-wire type connection is supported.

Node with network bias resistors

- This product is a node with local bias resistors. Therefore at least one node must be a node with network bias resistors in the network configuration.
- When configuring the network with only this products, refer to the following, and make the node with network bias resistors. (When using two sets in one segment, insert them into both ends of the network.)

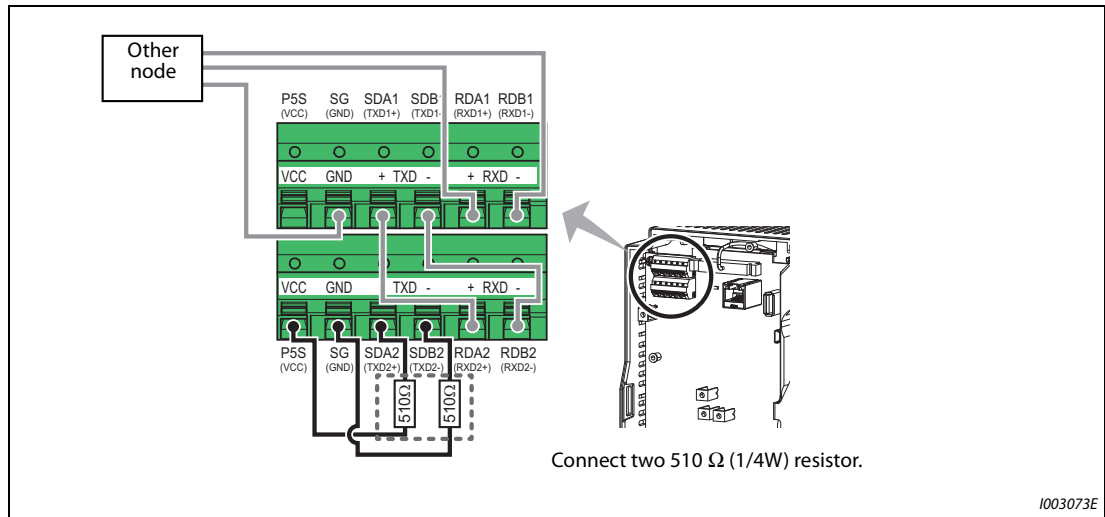


Fig. 5-246: Connecting the network bias resistors to the frequency inverter

BACnet reception status monitor (Pr. 52)

Set Pr. 52 = "81" to monitor the BACnet communication status on the operation panel.

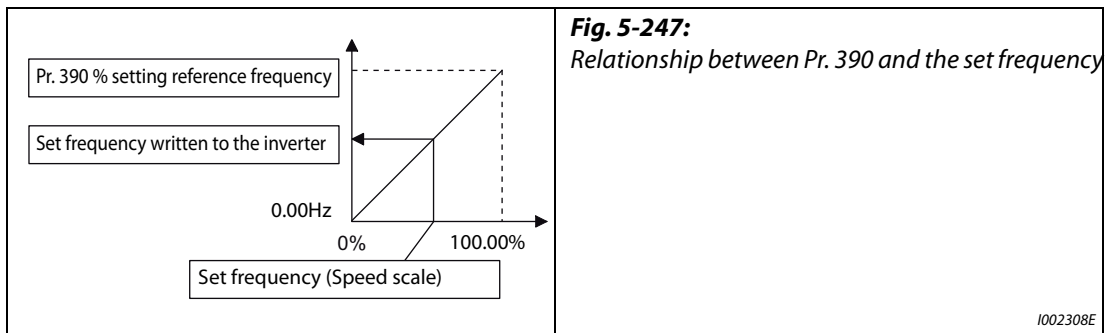
Monitor value	Status	Description	LF signal output
0	Idle	Never had BACnet communication	OFF
1	Automatic baud rate recognition	Automatic baud rate recognition (Communication error during automatic baud rate recognition is not counted)	OFF
2	Not joined the network	Waiting for a token to the own node	OFF
10	Data to the own node	Received a token to the own node	OFF
11		Received a supported request to the own node (including broadcasting)	OFF
12		Received an unsupported request to the own node (including broadcasting)	OFF
20	Data to the other node	Received a token to other nodes	OFF
30	Node separated	Separated from token passing after joined in it	OFF
90	Error data	Detected a communication error	ON
91		Protocol error (LPDU, NPDU, APDU are not following the format regulations.)	ON

Tab. 5-262: BACnet status monitor

% setting reference frequency (Pr. 390)

Set a reference frequency of the set frequency. The setting value of Pr. 390 "% setting reference frequency" is 100% reference. The ratio of the frequency command is converted to the set frequency in the following formula:

$$\text{Set frequency} = \% \text{ setting reference frequency} \times \text{Speed scale (Refer to page 5-512)}$$



NOTES

- | The % setting reference frequency cannot be set at less than the minimum frequency resolution of the inverter.
- | The set frequency is written to RAM.
- | The set frequency is applied at the writing of Speed scale. (The set frequency is not applied at the setting of Pr. 390.)

Automatic baud rate recognition (Pr. 726 "Auto Baudrate/Max Master")

Automatic changing of baud rate is available with Pr. 726 setting. When Pr. 726="128 to 255", turn the power ON from OFF or reset the inverter to start automatic baud rate recognition.

Pr. 726 setting	Operation
0 to 127	Automatic baud rate recognition is invalid. (Using Pr. 332 setting for baud rate)
128 to 255	Inverter monitors the data on the communication bus, and automatically switches the baud rate. The recognized baud rate is written to Pr. 332.

Tab. 5-263: Pr. 726 settings

NOTES

- | After the baud rate recognition, the recognized baud rate is written in EEPROM as the Pr. 332 setting regardless of the Pr. 342 "Communication EEPROM write selection" setting.
- | The BACnet status monitor displays "1" during automatic baud rate recognition.
- | The communication error monitor count is not performed during automatic baud rate recognition.
- | During automatic baud rate recognition, the inverter does not transmit data, but only accepts data.
- | The baud rate switching operation cannot be finished if the inverter is not connected to the communication bus. (BACnet protocol will not be established.)
- | The baud rate switching operation cannot be finished if the inverter is continuously receiving abnormal data during automatic baud rate switching. (BACnet protocol will not be established.)

Supported property of BACnet standard object type

R: Read only

W: Read/Write (Commandable values not supported)

C: Read/Write (Commandable values supported)

Property	Object support condition						
	Analog input	Analog output	Analog value	Binary input	Binary output	Binary value	Device
APDU timeout							R
Application software version							R
Database revision							R
Device address binding							R
Event state	R	R	R	R	R	R	
Firmware revision							R
Max APDU length accepted							R
Max info frames							W
Max master							W
Model name							R
Number of APDU retries							R
Object identifier	R	R	R	R	R	R	R
Object list							R
Object name	R	R	R	R	R	R	R
Object type	R	R	R	R	R	R	R
Out of service	R	R	R	R	R	R	
Polarity				R	R		
Present value	R	C	C ^①	R	C	C ^①	
Priority array		R	R ^②		R	R ^②	
Protocol object types supported							R
Protocol revision							R
Protocol services supported							R
Protocol version							R
Relinquish default		R	R		R	R	
Segmentation supported							R
Status flags	R	R	R	R	R	R	
System status							R
Unit	R	R	R				
Vendor identifier							R
Vendor name							R

Tab. 5-264: Overview of BACnet standard object types

① This property is commandable for some instances of this object. Otherwise it is read/write.

② This property is supported only for instances of this object where the Present Value property is commandable.

Supported BACnet object

● Analog input

Object identifier	Object name	Present value access type ^①	Description	Unit
0	Terminal 1	R	Represents actual input voltage of terminal 1. (The range varies depending on the Pr. 73 and Pr. 267 settings. -10 to +10 V (-100% to +100%), -5 to +5 V (-100% to +100%))	percent (98)
1	Terminal 2	R	Represents actual input voltage (or input current) of terminal 2. (The range varies depending on the Pr. 73 and Pr. 267 settings. 0 to 10 V (0% to 100%), 0 to 5 V (0% to 100%), 0 to 20 mA (0% to 100%))	percent (98)
2	Terminal 4	R	Represents actual input voltage (or input current) of terminal 4. (The range varies depending on the Pr. 73 and Pr. 267 settings. 2 to 10 V (0% to 100%), 1 to 5 V (0% to 100%), 4 to 20 mA (0% to 100%))	percent (98)

Tab. 5-265: Object assignment for analog inputs

- ① R: Read only,
W: Read/Write (Commandable values not supported),
C: Read/Write (Commandable values supported)

● Analog output

Object identifier	Object name	Present value access type ^①	Description	Unit
0	Terminal FM (CA)	C	Controls actual output current level of terminal FM/CA. Control is available when Pr. 54 "FM/CA terminal function selection" = "85" ^② . (Setting range: 0 to 200%)	percent (98)
1	Terminal AM	C	Controls actual output voltage level of terminal AM. Control is available when Pr. 158 "AM terminal function selection" = "86" ^② . (Setting range: -200 to 200%)	percent (98)

Tab. 5-266: Object assignment for analog outputs

- ① R: Read only,
W: Read/Write (Commandable values not supported),
C: Read/Write (Commandable values supported)
Values written to the objects that support the commandable values are stored in the Priority Array, even when "Write Access Denied" is returned due to inconsistency of the writing requirements such as the operating mode, on condition that the values are written within the setting range.
- ② Available regardless of the operation mode, operation command source, and speed command source.

● Analog value

Object identifier	Object name	Present value access type ^①	Description	Unit
1	Output frequency	R	Represents the output frequency monitor.	hertz (27)
2	Output current	R	Represents the output current monitor.	amperes (3)
3	Output voltage	R	Represents the output voltage monitor.	volts (5)
6	Running speed	R	Represents the running speed monitor.	revolution-per-minute (104)
8	Converter output voltage	R	Represents the converter output voltage monitor.	volts (5)
14	Output power	R	Represents the output power monitor.	kilowatts (48)
17	Load meter	R	Represents the load meter monitor.	percent (98)
20	Cumulative energization time	R	Represents the cumulative energization time monitor.	hours (71)
23	Actual operation time	R	Represents the actual operation time monitor.	hours (71)
25	Cumulative power	R	Represents the cumulative power monitor.	kilowatt-hours (19)
52	PID set point	R	Represents the PID set point monitor.	no-units (95)
54	PID deviation	R	Represents the PID deviation monitor. (Minus display is available with reference to 0%, 0.1% increment)	no-units (95)
67	PID measured value 2	R	Represents the PID measured value 2 monitor.	no-units (95)
92	Second PID set point	R	Represents the second PID set point monitor.	no-units (95)
94	Second PID deviation	R	Represents the second PID deviation monitor. (Minus display is available with reference to 0%, in 0.1% increment.)	no-units (95)
95	Second PID measured value 2	R	Represents the second PID measured value 2 monitor.	no-units (95)
200	Alarm history 1	R	Represents the fault history 1 (the latest fault) monitor.	no-units (95)
201	Alarm history 2	R	Represents the fault history 2 (second fault in past) monitor.	no-units (95)
202	Alarm history 3	R	Represents the fault history 3 (third fault in past) monitor.	no-units (95)
203	Alarm history 4	R	Represents the fault history 4 (fourth fault in past) monitor.	no-units (95)
300	Speed scale ^②	C	Controls the ratio to the frequency command. (Setting range: 0.00 to 100.00) (refer to page 5-509)	percent (98)
310	PID set point CMD ^②	C	Set the PID action set point. This object is the PID set point during PID operation if Pr. 128 = "60 or 61". (Setting range: 0.00 to 100.0) ^③	no-units (95)
311	PID measured value CMD ^②	C	Set the PID measured value. This object is the PID measured value during PID operation if Pr. 128 = "60 or 61". (Setting range: 0.00 to 100.0) ^③	no-units (95)
312	PID deviation CMD ^②	C	Set the PID deviation (0.01 increment). This object is the deviation during PID operation if Pr. 128 = "50 or 51". (Setting range: -100.00 to 100.00)	percent (98)
320	Second PID set point CMD	C	Set the second PID action set point. This object is the set point during PID operation if Pr. 753 = "60 or 61". (Setting range: 0.00 to 100.00) ^③	no-units (95)

Tab. 5-267: Object assignment for analog values (1)

Object identifier	Object name	Present value access type ^①	Description	Unit
321	Second PID measured value CMD	C	Set the second PID measured value. This object is the measured value during PID operation if Pr. 753 = "60 or 61". (Setting range: 0.00 to 100.00) ^③	no-units (95)
322	Second PID deviation CMD	C	Set the second PID deviation. (0.01 increment) This object is the deviation during PID operation if Pr. 753 = "50 or 51". (Setting range: -100.00 to 100.00)	percent (98)
398	Mailbox parameter	W	Access to the properties which are not defined as objects are available (refer to page 5-516).	no-units (95)
399	Mailbox value	W		no-units (95)
10007	Acceleration time	W	Sets Pr. 7 "Acceleration time"	seconds (73)
10008	Deceleration time	W	Sets Pr. 8 "Deceleration time"	seconds (73)

Tab. 5-267: Object assignment for analog values (2)

① R: Read only,

W: Read/Write (Commandable values not supported),

C: Read/Write (Commandable values supported)

Values written to the objects that support the commandable values are stored in the Priority Array, even when "Write Access Denied" is returned due to inconsistency of the writing requirements such as the operating mode, on condition that the values are written within the setting range.

② If communication speed command source is other than NET, the setting value can be written, but not to be applied.

③ When both C42 (Pr. 1136) and C44 (Pr. 1138) ≠ "9999", the setting range is from the smaller coefficient to the larger coefficient of C42 (Pr. 1136) and C44 (Pr. 1138). Depending on the setting, the writing value and the reading value may not be the same at the minimum digit.

● Binary Input

Object identifier	Object name	Present value access type ①	Description (0: Inactive, 1: Active)
0	Terminal STF	R	Represents actual input of terminal STF.
1	Terminal STR	R	Represents actual input of terminal STR.
2	Terminal AU	R	Represents actual input of terminal AU.
3	Terminal RT	R	Represents actual input of terminal RT.
4	Terminal RL	R	Represents actual input of terminal RL.
5	Terminal RM	R	Represents actual input of terminal RM.
6	Terminal RH	R	Represents actual input of terminal RH.
7	Terminal JOG	R	Represents actual input of terminal JOG.
8	Terminal MRS	R	Represents actual input of terminal MRS.
9	Terminal STOP	R	Represents actual input of terminal STOP.
10	Terminal RES	R	Represents actual input of terminal RES.
11	Terminal CS	R	Represents actual input of terminal CS.
100	Terminal RUN	R	Represents actual output of terminal RUN.
101	Terminal SU	R	Represents actual output of terminal SU.
102	Terminal IPF	R	Represents actual output of terminal IPF.
103	Terminal OL	R	Represents actual output of terminal OL.
104	Terminal FU	R	Represents actual output of terminal FU.
105	Terminal ABC1	R	Represents actual output of terminal ABC1.
106	Terminal ABC2	R	Represents actual output of terminal ABC2.
107	Terminal SO	R	Represents actual output of terminal SO.

Tab. 5-268: Object assignment for binary inputs

- ① R: Read only,
 W: Read/Write (Commandable values not supported),
 C: Read/Write (Commandable values supported)

● Binary Output

Object identifier	Object name	Present value access type ①	Description (0: Inactive, 1: Active)
0	Terminal RUN CMD	C	Controls actual output of terminal RUN. Available when Pr. 190 = "82 or 182". ②
1	Terminal SU CMD	C	Controls actual output of terminal SU. Available when Pr. 191 = "82 or 182". ②
2	Terminal IPF CMD	C	Controls actual output of terminal IPF. Available when Pr. 192 = "82 or 182". ②
3	Terminal OL CMD	C	Controls actual output of terminal OL. Available when Pr. 193 = "82 or 182". ②
4	Terminal FU CMD	C	Controls actual output of terminal FU. Available when Pr. 194 = "82 or 182". ②
5	Terminal ABC1 CMD	C	Controls actual output of terminal ABC1. Available when Pr. 195 = "82 or 182". ②
6	Terminal ABC2 CMD	C	Controls actual output of terminal ABC2. Available when Pr. 196 = "82 or 182". ②

Tab. 5-269: Object assignment for binary outputs

- ① R: Read only,
 W: Read/Write (Commandable values not supported),
 C: Read/Write (Commandable values supported)
 Values written to the objects that support the commandable values are stored in the Priority Array, even when "Write Access Denied" is returned due to inconsistency of the writing requirements such as the operating mode, on condition that the values are written within the setting range.
- ② Available regardless of the operation mode, operation command source, and speed command source.

● Binary value

Object identifier	Object name	Present value access type ^①	Description
0	Inverter running	R	Represents inverter running (RUN signal) status.
11	Inverter operation ready	R	Represents inverter operation ready (RY signal) status.
98	Alarm output	R	Represents alarm output (LF signal) status.
99	Fault output	R	Represents fault output (ALM signal) status.
200	Inverter running reverse	R	Represents inverter reverse running status.
300	Control input instruction AU	C	Controls the function assigned to terminal AU. Setting 1 of this object turns ON the signal assigned to Pr. 184.
301	Control input instruction RT	C	Controls the function assigned to terminal RT. Setting 1 of this object turns ON the signal assigned to Pr. 183.
302	Control input instruction RL	C	Controls the function assigned to terminal RL. Setting 1 of this object turns ON the signal assigned to Pr. 180.
303	Control input instruction RM	C	Controls the function assigned to terminal RM. Setting 1 of this object turns ON the signal assigned to Pr. 181.
304	Control input instruction RH	C	Controls the function assigned to terminal RH. Setting 1 of this object turns ON the signal assigned to Pr. 182.
305	Control input instruction JOG ^②	C	Controls the function assigned to terminal JOG. Setting 1 of this object turns ON the signal assigned to Pr. 185.
306	Control input instruction MRS	C	Controls the function assigned to terminal MRS. Setting 1 of this object turns ON the signal assigned to Pr. 187.
307	Control input instruction STOP ^②	C	Controls the function assigned to terminal STOP. Setting 1 of this object turns ON the signal assigned to Pr. 188.
308	Control input instruction RES ^②	C	Controls the function assigned to terminal RES. Setting 1 of this object turns ON the signal assigned to Pr. 189.
309	Control input instruction CS ^②	C	Controls the function assigned to terminal CS. Setting 1 of this object turns ON the signal assigned to Pr. 186.
400	Run/Stop	C	Controls start/stop command. Start command is written after Speed scale is applied. ^③ 1: Start 0: Stop
401	Forward/Reverse	C	Controls forward/reverse rotation. ^③ 1: Reverse rotation 0: Forward rotation
402	Fault reset	C	Clears fault output status. (Release of an inverter fault without inverter reset is available.)

Tab. 5-270: Object assignment for binary values

^① R: Read only,

W: Read/Write (Commandable values not supported),

C: Read/Write (Commandable values supported)

Values written to the objects that support the commandable values are stored in the Priority Array, even when "Write Access Denied" is returned due to inconsistency of the writing requirements such as the operating mode, on condition that the values are written within the setting range.

^② The following signals cannot be controlled by the network: Jog operation, selection of automatic restart after instantaneous power failure, start self-holding, and reset. Therefore control input instruction JOG, STOP, RES, and CS are invalid in the initial status. To use the control input instruction JOG, STOP, RES, and CS, change the signals with Pr.185, Pr.186, Pr.188, Pr.189 (input terminal function selection). (Refer to page 5-285.) (Reset is available with ReinitializeDevice.)

^③ If communication operation command source is other than NET, the setting value can be written, but not to be applied.

Mailbox parameter / Mailbox value (BACnet registers)

- Access to the properties which are not defined as objects are available by using "Mailbox parameter" and "Mailbox value".
- To read a property, write the register of the intended property to "Mailbox parameter", and then read "Mailbox value". To write a property, write the register of the intended property to "Mailbox parameter", and then write a value to "Mailbox value".
- System environment variable

Register	Definition	Read/write	Remarks
40010	Operation mode / inverter setting	Read/write	For write, set data as the operation mode setting. For read, data is read as the operation mode status.

Tab. 5-271: BACnet registers for system environment variable

Mode	Read value	Write value
EXT	H0000	H0010 ^①
PU	H0001	H0011 ^①
EXT JOG	H0002	—
PU JOG	H0003	—
NET	H0004	H0014
PU + EXT	H0005	—

Tab. 5-272: Read and write values for operation mode status and setting

- ^① Writing is available depending on the Pr. 79 and Pr. 340 settings. For the details, refer to page 5-128. The restrictions depending on the operation mode changes according to the computer link specifications.

- Real time monitor

The register numbers and the monitor items are the same as those of the MODBUS® RTU real time monitor. Refer to the MODBUS® RTU real time monitor on page 5-198.

● Parameter

Pr.	Register	Parameter name	Read/Write	Remarks
0 to 999	41000 to 41999	Refer to the parameter list (page 5-2) for the parameter names.	Read/write	The parameter number + 41000 is the register number.
C2 (902)	41902	Terminal 2 frequency setting bias (frequency)	Read/write	
C3 (902)	42092	Terminal 2 frequency setting bias (analog value)	Read/write	Analog value (%) set to C3 (902) .
	43902	Terminal 2 frequency setting bias (terminal analog value)	Read	Analog value (%) of the voltage (current) applied to the terminal 2 .
125 (903)	41903	Terminal 2 frequency setting gain (frequency)	Read/write	
C4 (903)	42093	Terminal 2 frequency setting gain (analog value)	Read/write	Analog value (%) set to C4 (903) .
	43903	Terminal 2 frequency setting gain (terminal analog value)	Read	Analog value (%) of the voltage (current) applied to the terminal 2 .
C5 (904)	41904	Terminal 4 frequency setting bias (frequency)	Read/write	
C6 (904)	42094	Terminal 4 frequency setting bias (analog value)	Read/write	Analog value (%) set to C6 (904) .
	43904	Terminal 4 frequency setting bias (terminal analog value)	Read	Analog value (%) of the current (voltage) applied to the terminal 4 .
126 (905)	41905	Terminal 4 frequency setting gain (frequency)	Read/write	
C7 (905)	42095	Terminal 4 frequency setting gain (analog value)	Read/write	Analog value (%) set to C7 (905) .
	43905	Terminal 4 frequency setting gain (terminal analog value)	Read	Analog value (%) of the current (voltage) applied to the terminal 4 .
C12 (917)	41917	Terminal 1 bias frequency (speed)	Read/write	
C13 (917)	42107	Terminal 1 bias (speed)	Read/write	Analog value (%) set to C13 (917)
	43917	Terminal 1 bias (speed) (terminal analog value)	Read	Analog value (%) of the voltage applied to the terminal 1
C14 (918)	41918	Terminal 1 gain frequency (speed)	Read/write	
C15 (918)	42108	Terminal 1 gain (speed)	Read/write	Analog value (%) set to C15(918)
	43918	Terminal 1 gain (speed) (terminal analog value)	Read	Analog value (%) of the voltage applied to the terminal 1
C16 (919)	41919	Terminal 1 bias command (torque)	Read/write	
C17 (919)	42109	Terminal 1 bias (torque)	Read/write	Analog value (%) set to C17 (919)
	43919	Terminal 1 bias (torque) (terminal analog value)	Read	Analog value (%) of the voltage applied to the terminal 1
C18 (920)	41920	Terminal 1 gain command (torque)	Read/write	
C19 (920)	42110	Terminal 1 gain (torque)	Read/write	Analog value (%) set to C19 (920)
	43920	Terminal 1 gain (torque) (terminal analog value)	Read	Analog value (%) of the voltage applied to the terminal 1
C8 (930)	41930	Current output bias signal	Read/write	
C9 (930)	42120	Current output bias current	Read/write	Analog value (%) set to C9 (930)
C10 (931)	41931	Current output gain signal	Read/write	
C11 (931)	42121	Current output gain current	Read/write	Analog value (%) set to C11 (931)
C38 (932)	41932	Terminal 4 bias command (torque)	Read/write	
C39 (932)	42122	Terminal 4 bias (torque)	Read/write	Analog value (%) set to C39 (932)
	43932	Terminal 4 bias (torque) (terminal analog value)	Read	Analog value (%) of the current (voltage) applied to the terminal 4

Tab. 5-273: Parameter

Pr.	Register	Parameter name	Read/Write	Remarks
C40 (933)	41933	Terminal 4 gain command (torque)	Read/write	
C41 (933)	42123	Terminal 4 gain (torque)	Read/write	Analog value (%) set to C41 (933)
	43933	Terminal 4 gain (torque) (terminal analog value)	Read	Analog value (%) of the current (voltage) applied to the terminal 4
C42 (934)	41934	PID display bias coefficient	Read/write	
C43 (934)	42124	PID display bias analog value	Read/write	Analog value (%) set to C43 (934).
	43934	PID display bias analog value (terminal analog value)	Read	Analog value (%) of the current (voltage) applied to the terminal 4.
C44 (935)	41935	PID display gain coefficient	Read/write	
C45 (935)	42125	PID display gain analog value	Read/write	Analog value (%) set to C45 (935).
	43935	PID display gain analog value (terminal analog value)	Read	Analog value (%) of the current (voltage) applied to the terminal 4.
1000 to 1999	45000 to 45999	Refer to the parameter list (page 5-2) for parameter names.	Read/write	The parameter number + 44000 is the register number.

Tab. 5-273: Parameter

● Alarm history

Register	Definition	Read/write	Remarks
40501	Faults history 1	Read/write	Being 2 bytes in length, the data is stored as "H00□□". Refer to the lowest 1 byte for the error code. (Refer to page 6-5 for the error codes.) Performing write using the register 40501 batch-clears the faults history. Set any value as data.
40502	Faults history 2	Read	
40503	Faults history 3	Read	
40504	Faults history 4	Read	
40505	Faults history 5	Read	
40506	Faults history 6	Read	
40507	Faults history 7	Read	
40508	Faults history 8	Read	

Tab. 5-274: Faults history

● Model information monitor

Register	Definition	Read/write	Remarks
44001	Inverter type (1st and 2nd characters)	Read	Reading inverter type in ASCII code. "H20" (blank code) is set for blank area. Example: For the "FR-F840-1 (FM type)", H46, H52, H2D, H46, H38, H34, H30, H2D, H31, H20...H20
44002	Inverter type (3rd and 4th characters)	Read	
44003	Inverter type (5th and 6th characters)	Read	
44004	Inverter type (7th and 8th characters)	Read	
44005	Inverter type (9th and 10th characters)	Read	
44006	Inverter type (11th and 12th characters)	Read	
44007	Inverter type (13th and 14th characters)	Read	
44008	Inverter type (15th and 16th characters)	Read	
44009	Inverter type (17th and 18th characters)	Read	
44010	Inverter type (19th and 20th characters)	Read	
44011	Capacity (1st and 2nd characters)	Read	Reading inverter capacity in ASCII code. Data is read in increments of 0.1 kW, and rounds down to 0.01 kW increments. "H20" (blank code) is set for blank area. Example: 0.75K..." 7" (H20, H20, H20, H20, H20, H37)
44012	Capacity (3rd and 4th characters)	Read	
44013	Capacity (5th and 6th characters)	Read	

Tab. 5-275: Model information monitor

NOTE

When a 32-bit parameter setting or monitor item is read and the value to be read exceeds HFFFF, HFFFF is returned.

ANNEX A - PROTOCOL IMPLEMENTATION CONFORMANCE STATEMENT (NORMATIVE)

(This annex is part of this Standard and is required for its use.)

BACnet Protocol Implementation Conformance Statement

Date: 1st July 2014
Vendor Name: Mitsubishi Electric Corporation
Product Name: Inverter
Product Model Number: FR-F820-1, FR-F820-2, FR-F840-1, FR-F840-2, FR-F842-1, FR-F842-2
Application Software Version: 8463*
Firmware Revision: 1.00
BACnet Protocol Revision: 4

Product Description:

BACnet Standardized Device Profile (Annex L):

- BACnet Operator Workstation (B-OWS)
- BACnet Building Controller (B-BC)
- BACnet Advanced Application Controller (B-AAC)
- BACnet Application Specific Controller (B-ASC)
- BACnet Smart Sensor (B-SS)
- BACnet Smart Actuator (B-SA)

List all BACnet Interoperability Building Blocks Supported (Annex K):

DS-RP-B, DS-WP-B, DM-DDB-B, DM-DOB-B, DM-DCC-B, DM-RD-B

Segmentation Capability:

- Segmented requests supported Window Size _____
- Segmented responses supported Window Size _____

Standard Object Types Supported:

An object type is supported if it may be present in the device. For each standard Object Type supported provide the following data:

- 1) Whether objects of this type are dynamically creatable using the CreateObject service
- 2) Whether objects of this type are dynamically deletable using the DeleteObject service
- 3) List of the optional properties supported
- 4) List of all properties that are writable where not otherwise required by this standard
- 5) List of all properties that are conditionally writable where not otherwise required by this standard
- 6) List of proprietary properties and for each its property identifier, datatype, and meaning
- 7) List of any property range restrictions

Dynamic object creation and deletion is not supported.

For the object types supported by the FR-F800 series, refer to page 5-511.

Data Link Layer Options:

- BACnet IP, (Annex J)
- BACnet IP, (Annex J), Foreign Device
- ISO 8802-3, Ethernet (Clause 7)
- ANSI/ATA 878.1, 2.5 Mb. ARCNET (Clause 8)
- ANSI/ATA 878.1, RS-485 ARCNET (Clause 8), baud rate(s)
- MS/TP master (Clause 9), baud rate(s): 9600, 19200, 38400, 76800
- MS/TP slave (Clause 9), baud rate(s):
- Point-To-Point, EIA 232 (Clause 10), baud rate(s):
- Point-To-Point, modem, (Clause 10), baud rate(s):
- LonTalk, (Clause 11), medium:
- Other:

Device Address Binding:

Is static device binding supported? (This is currently necessary for two-way communication with MS/TP slaves and certain other devices.) Yes No

Networking Options:

- Router, Clause 6 - List all routing configurations, e.g., ARCNET-Ethernet, Ethernet-MS/TP, etc.
- Annex H, BACnet Tunneling Router over IP
- BACnet/IP Broadcast Management Device (BBMD)

Does the BBMD support registrations by Foreign Devices? Yes No

Character Sets Supported:

Indicating support for multiple character sets does not imply that they can all be supported simultaneously.

- ANSI X3.4
- IBM™/Microsoft™ DBCS
- ISO 8859-1
- ISO 10646 (UCS-2)
- ISO 10646 (UCS-4)
- JIS C 6226

If this product is a communication gateway, describe the types of non-BACnet equipment/networks that the gateway supports:

5.12.8 Initial settings and specifications of Ethernet communication (FR-F800-E)

Use the following parameters to perform required settings for Ethernet communication between the inverter and other stations.

To make communication between other devices and the inverter, perform the initial settings of the inverter parameters to match the communication specifications.

Pr.	Name	Initial value	Setting range	Description	
1434 N600 ①	Ethernet IP address 1	192	0 to 255	Enter the IP address of the inverter to be connected to Ethernet.	
1435 N601 ①	Ethernet IP address 2	168	0 to 255		
1436 N602 ①	Ethernet IP address 3	50	0 to 255		
1437 N603 ①	Ethernet IP address 4	1	0 to 255		
1438 N610 ①	Subnet mask 1	255	0 to 255	Enter the subnet mask of the network to which the inverter belongs.	
1439 N611 ①	Subnet mask 2	255	0 to 255		
1440 N612 ①	Subnet mask 3	255	0 to 255		
1441 N613 ①	Subnet mask 4	0	0 to 255		
1427 N630 ①	Ethernet function selection 1	5001	502, 5000 to 5002, 5006 to 5008, 5010 to 5013, 9999, 45237, 61450	Set the application, protocol, etc.	
1428 N631 ①	Ethernet function selection 2	45237	502, 5000 to 5002, 5006 to 5008, 5010 to 5013, 9999, 45237, 61450		
1429 N632 ①	Ethernet function selection 3	9999	502, 5000 to 5002, 5006 to 5008, 5010 to 5013, 9999, 45237, 61450		
1426 N641 ①	Link speed and duplex mode selection	0	0 to 4	Set the communication speed and the communication mode (full-duplex/half-duplex).	
1455 N642	Keepalive time	3600 s	1 to 7200 s	When no response is returned for an alive check message (KeepAlive ACK) for the time (s) set in Pr. 1455 multiplied by 4 elapsed, the connection will be forced to be closed.	
1431 N643	Ethernet signal loss detection function selection	0	0	Signal loss detection disabled	Set the availability of the signal loss detection and select the action when Ethernet communication is interrupted by physical factors.
			1	A warning (EHR) is output for a signal loss.	
			2	A warning (EHR) and the Alarm (LF) signal are output for a signal loss	
			3	A protective function (E.EHR) is activated for a signal loss.	

Pr.	Name	Initial value	Setting range	Description
1432 N644	Ethernet communication check time interval	9999	0	Ethernet communication is available, but the inverter trips in the NET operation mode.
			0.1 to 999.8 s	Set the interval of the communication check (signal loss detection) time for all devices with IP addresses in the range specified for Ethernet command source selection (Pr. 1449 to Pr. 1454). If a no-communication state persists for the permissible time or longer, the inverter will trip.
			9999	No communication check (signal loss detection)
1424 N650 ①	Ethernet communication network number	1	1 to 120	Enter the network number.
1425 N651 ①	Ethernet communication station number	1	1 to 120	Enter the station number.
1442 N660 ①	Ethernet IP filter address 1	0	0 to 255	Set the range of connectable IP addresses for the network devices. (When Pr. 1442 to Pr. 1445 = "0 (initial value)", the function is invalid.)
1443 N661 ①	Ethernet IP filter address 2	0	0 to 255	
1444 N662 ①	Ethernet IP filter address 3	0	0 to 255	
1445 N663 ①	Ethernet IP filter address 4	0	0 to 255	
1446 N664 ①	Ethernet IP filter address 2 range specification	9999	0 to 255, 9999	
1447 N665 ①	Ethernet IP filter address 3 range specification	9999	0 to 255, 9999	
1448 N666 ①	Ethernet IP filter address 4 range specification	9999	0 to 255, 9999	
1449 N670 ①	Ethernet command source selection IP address 1	0	0 to 255	To limit the network devices that send the operation or speed command through the Ethernet network (Modbus®/TCP or CCLink IE Field Network Basic), set the range of IP addresses of the devices. When Pr. 1449 to Pr. 1452 = "0 (initial value)", no IP address is specified for sending commands through the Ethernet network.
1450 N671 ①	Ethernet command source selection IP address 2	0	0 to 255	
1451 N672 ①	Ethernet command source selection IP address 3	0	0 to 255	
1452 N673 ①	Ethernet command source selection IP address 4	0	0 to 255	In this case, operation through the Ethernet network (Modbus®/TCP or CC-Link IE Field Network Basic) is not available. When four or more clients attempt a connection to the inverter during Modbus®/TCP communication, the connection attempted from outside of the IP address range set for Ethernet command source selection may be forced to be closed.
1453 N674 ①	Ethernet command source selection IP address 3 range specification	9999	0 to 255, 9999	
1454 N675 ①	Ethernet command source selection IP address 4 range specification	9999	0 to 255, 9999	

① The setting is applied after an inverter reset or power-ON.

NOTE

The monitored items and parameter settings can be read during communication with the Pr.1432 Ethernet communication check time interval = "0" setting, but an inverter fault occurs instantly when the operation mode is switched to the NET operation mode. When the NET operation mode is selected as the start-up operation mode, communication is performed once, then an Ethernet communication fault (E.EHR) occurs.

To perform operation or parameter writing via communication, set Pr.1432 to "9999" or a value larger than the communication cycle or retry time setting (refer to page 5-529).

Ethernet function selection (Pr. 1427 to Pr. 1429)

Refer to the Instruction Manual of the device connected via Ethernet, and set Pr. 1427 to Pr. 1429 (Ethernet function selection 1 to 3) according to the application and protocol.

A communication socket is provided only for the selected application.

Pr. 1427 to Pr. 1429 setting	Application ^①	Protocol ^①	Number of connectable clients	Refer to page
502	Modbus [®] /TCP	TCP/IP	3	5-593
5000	MELSOFT / FA product connection	UDP/IP	No limit	5-530
5001 (Pr. 1427 initial value) ^②		TCP/IP	1 ^③	
5002 ^②		UDP/IP	No limit	
5006		TCP/IP	1 ^③	
5007		UDP/IP	No limit	
5008				
5010	SLMP	UDP/IP	No limit	5-578
5011		TCP/IP	1 ^③	
5012				
5013				
45237 (Pr. 1428 setting)	iQSS	UDP/IP	No limit	^④
61450	CC-Link IE Field Network Basic	UDP/IP	No limit	5-610
9999 (Pr. 1429 initial value)	Unselected			—

Tab. 5-276: Ethernet function selection settings

- ^① If both application and protocol settings are identical in Pr. 1427 to Pr. 1429, the priority of the setting is defined as follows: Pr. 1427 > Pr. 1428 > Pr. 1429.
Example:
When Pr. 1427 = "5001", Pr. 1428 = "5006", Pr. 1429 = "5013", "5001" and "5013" are valid.
- ^② To connect the inverter and FR Configurator2 via the MELSOFT / FA product for Ethernet communication, set "5001 (initial value)" or "5002" according to the protocol type (UDP/IP or TCP/IP) in any of Pr. 1427 to Pr. 1429.
- ^③ When the inverter is connected with other equipment via a hub, and if the communication between the other equipment and the hub is interrupted and resumed, the communication between the inverter and the other equipment may not be established depending on the specifications of the hub. To re-establish communication with the other equipment, reset the inverter to forcefully close the connection. (Setting a shorter time in Pr. 1455 "Keepalive time" is also effective as a preventive measure (refer to page 5-526)).
- ^④ For details, refer to the Instruction Manual of FR Configurator2.

Communication speed and full-duplex/half-duplex selection (Pr. 1426)

Set the communication speed and the communication mode (full-duplex/half-duplex) in Pr. 1426 Link speed and duplex mode selection.

If the operation is not performed properly in the initial setting (Pr. 1426 = "0"), set Pr. 1426 according to the specifications of the connected hub.

Pr.1426 setting	Communication speed	Full-duplex/halfduplex system	Remarks
0 (initial value)	Automatic negotiation	Automatic negotiation	The communication speed and the communication mode (half-duplex/full-duplex) are automatically negotiated to ensure the optimum setting.
1	100 Mbps	Full-duplex	—
2	100 Mbps	Half-duplex	—
3	10 Mbps	Full-duplex	—
4	10 Mbps	Half-duplex	—

Tab. 5-277: Pr. 1426 settings

IP address (Pr. 1434 to Pr. 1437)

Enter the IP address of the inverter to be connected to Ethernet in Pr.1434 to Pr.1437. (Enter the IP address assigned by the network administrator.)

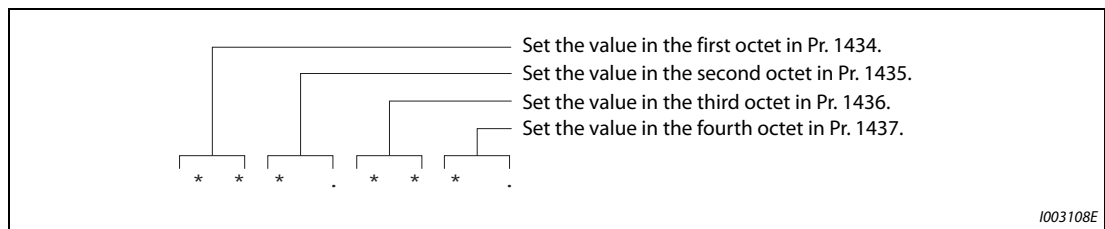


Fig. 5-248: IP address setting

Subnet mask (Pr. 1438 to Pr. 1441)

Enter the subnet mask of the network to which the inverter belongs in Pr. 1438 to Pr. 1441.

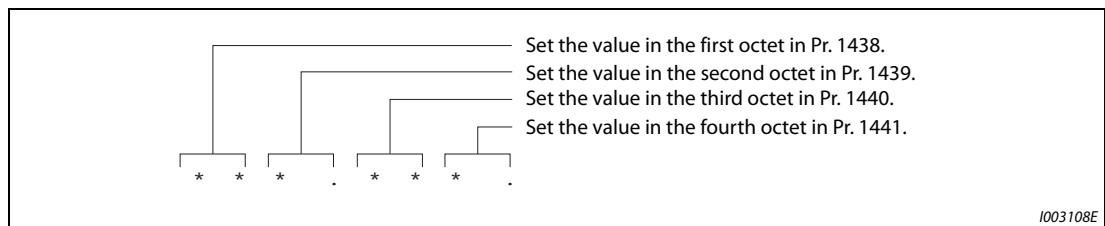


Fig. 5-249: Subnet mask setting

Keepalive time (Pr. 1455)

An alive check message (KeepAlive ACK) is sent to a device if the device does not return any response within the time set in Pr. 1455 "Keepalive time" while a TCP connection is established. When no response is returned after the third transmission, the connection will be forced to be closed.

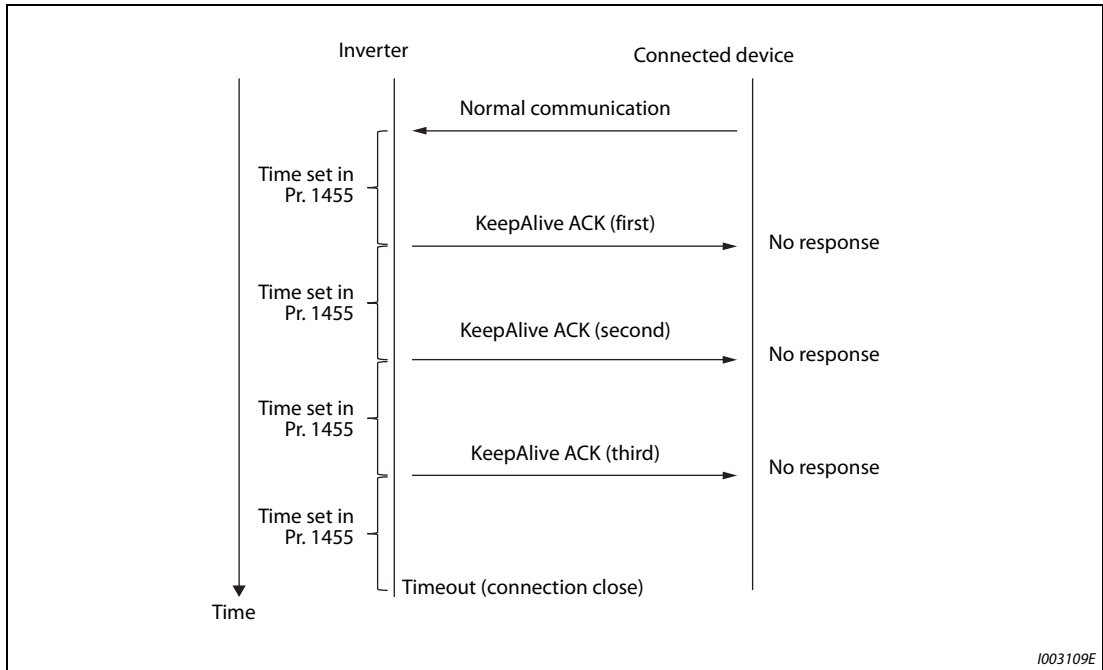


Fig. 5-250: Process of Keepalive checking

Ethernet IP filtering function (Pr. 1442 to Pr. 1448)

- Set the IP address range for connectable network devices (Pr. 1442 to Pr. 1448) to limit the connectable devices. The IP address setting range depends on the settings in Pr. 1443 and Pr. 1446, Pr. 1444 and Pr. 1447, and Pr. 1445 and Pr. 1448. (Either of the settings can be larger than the other in Pr. 1443 and Pr. 1446, Pr. 1444 and Pr. 1447, and Pr. 1445 and Pr. 1448.)

Example ▾

Setting example 1:

In this case, the IP address range in which Ethernet communication is permitted is "192.168.x (1 to 3).xxx (100 to 150)".

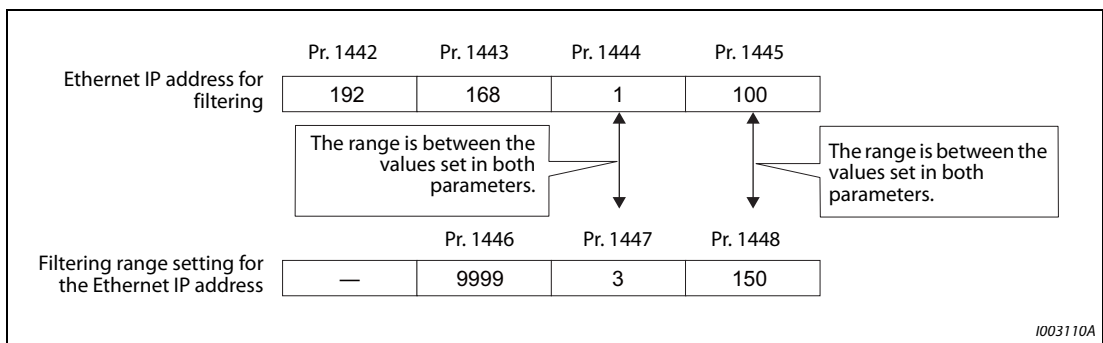


Fig. 5-251: Ethernet IP filtering function setting example 1



Example ▾

Setting example 2:

In this case, the IP address range in which Ethernet communication is permitted is "192.168.2.xxx (50 to 100)".

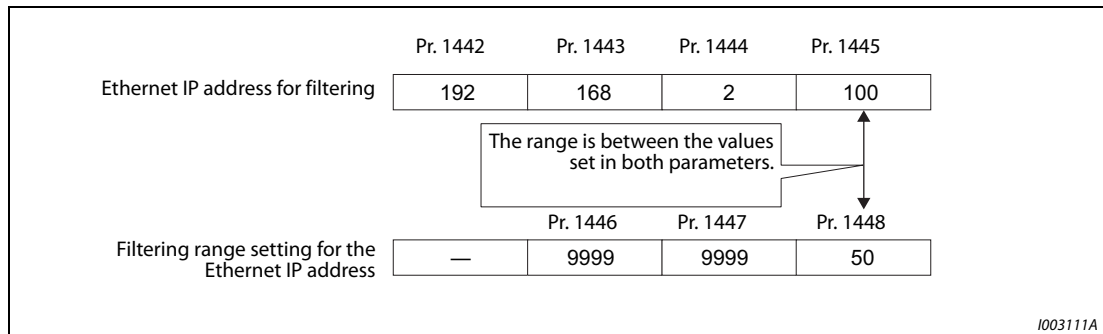


Fig. 5-252: Ethernet IP filtering function setting example 2

- When Pr. 1442 to Pr. 1445 = "0 (initial value)", the function is invalid.
- When Pr. 1446 to Pr. 1448 = "9999 (initial value)", the range is invalid.

**CAUTION:**

The Ethernet IP filtering function (Pr. 1442 to Pr. 1448) is provided as a means to prevent unauthorized access (with intentions such as to corrupt programs or data) by external systems, but the function does not prevent it completely. In order to protect the inverter and the system against unauthorized access by external systems, take additional security measures. Mitsubishi Electric Corporation will not take any responsibility for any problems in the inverter and the system incurred by unauthorized access.

The following are examples of measures to prevent unauthorized access.

- **Install a firewall.**
- **Install a personal computer as a relay station, and control the relaying of transmission data using an application program.**
- **Install an external device as a relay station to control access rights.**
(For the details of external devices used to control access rights, contact the distributors of the external devices.)

Ethernet IP address for command source selection (Pr. 1449 to Pr. 1454)

- To limit the network devices that send the operation or speed command through the Ethernet network (Modbus®/TCP or CC-Link IE Field Network Basic), set the range of IP addresses of the devices.
- When Pr. 1449 to Pr. 1452 = "0 (initial value)", no IP address is specified for sending commands through the Ethernet network. In this case, operation through the Ethernet network (Modbus®/TCP or CC-Link IE Field Network Basic) is not available.
- When four or more clients attempt a connection to the inverter during Modbus®/TCP communication, the connection attempted from outside of the IP address range set for Ethernet command source selection may be forced to be closed.
- The setting range for command source selection depends on the settings in Pr. 1451 and Pr. 1453, and Pr. 1452 and Pr. 1454. (Either of the settings can be larger than the other in Pr. 1451 and Pr. 1453, and Pr. 1452 and Pr. 1454.)

Example ▾

Setting example 1:

In this case, the IP address range for command source selection via Ethernet communication is "192.168.x (1 to 3).xxx (100 to 150)".

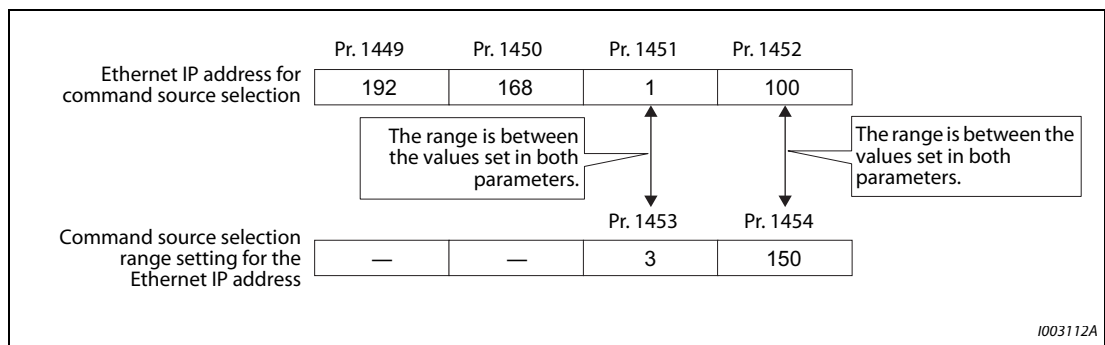


Fig. 5-253: Ethernet IP address for command source selection setting example 1



Example ▾

Setting example 2:

In this case, the IP address range for command source selection via Ethernet communication is "192.168.2.xxx (50 to 100)".

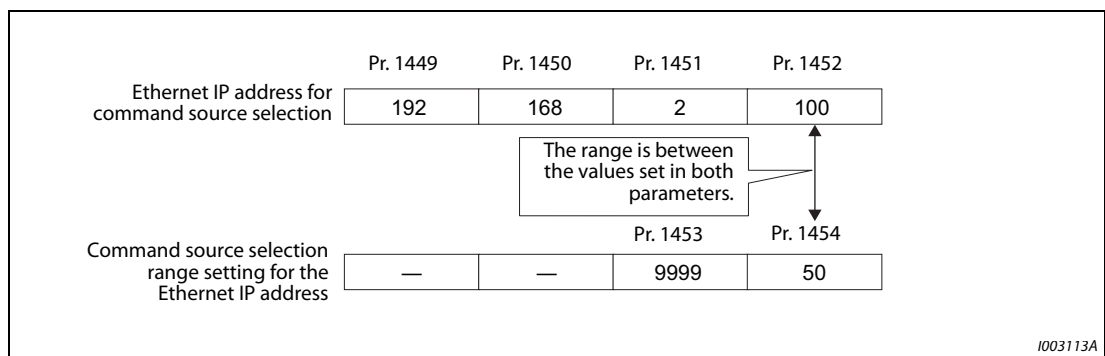


Fig. 5-254: Ethernet IP address for command source selection setting example 2



- When "9999 (initial value)" is set in Pr. 1453 and Pr. 1454, the range is invalid.

Ethernet signal loss detection (Pr. 1431)

Use Pr. 1431 to set the operation when Ethernet communication is interrupted by physical factors including disconnection of the Ethernet board or Ethernet cable or damages on the Ethernet cable.

Pr.1431 setting	Description	Operation panel display/indicator	LF signal output
0 (initial value)	Detection disabled	—	No
1	Warning output	EHR	No
2	Warning and alarm output	EHR	Yes
3	Protective function (E.EHR)	E.EHR	Yes

Tab. 5-278: Pr. 1431 settings

Ethernet communication check time interval (Pr. 1432)

- If a signal loss (communication stop) is detected between the inverter and all the devices with IP addresses in the range for Ethernet command source selection (Pr. 1449 to Pr. 1454) as a result of a signal loss detection, a communication error (E.EHR) occurs and the inverter trips.
- When "9999 (initial value)" is set in Pr. 1432, the communication check (signal loss detection) will not be performed.
- The monitored items and parameter settings can be read via Ethernet when "0" is set in Pr. 1432, but a communication error (E.EHR) occurs instantly when the operation mode is switched to the Network operation.
- A signal loss detection is made when any of 0.1 s to 999.8 s is set in Pr. 1432. In order to enable the signal loss detection, data must be sent by connected devices at an interval equal to or less than the time set for the communication check. (The inverter makes a communication check (clearing of communication check counter) regardless of the station number setting of the data sent from the master.)
- Communication check is started at the first communication when the inverter operates in the Network operation mode and the command source is specified as communication via the Ethernet connector.

Example ▾

When Pr. 1432 = 0.1 to 999.8 s

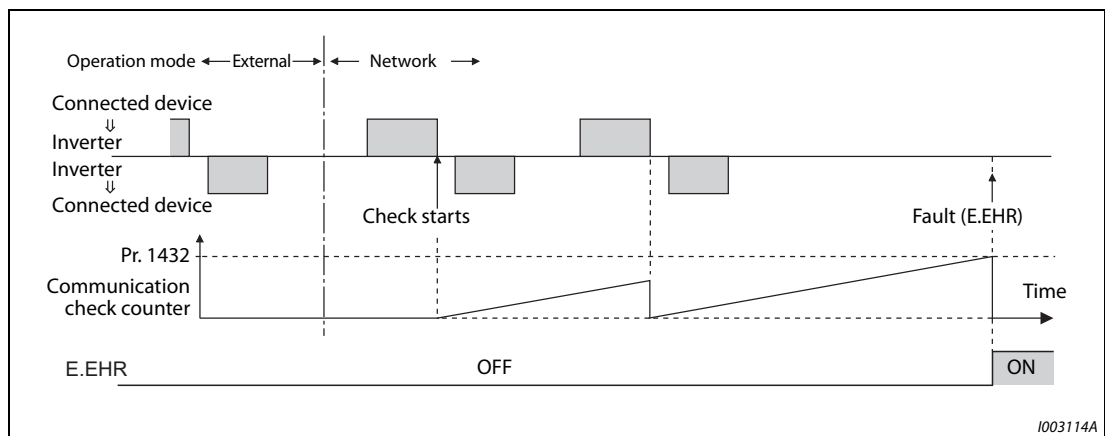


Fig. 5-255: Timing chart for Ethernet communication check time interval



Ethernet communication network number (Pr. 1424), Ethernet communication station number (Pr. 1425)

When the MELSOFT / FA product connection, SLMP, or iQSS is selected for Ethernet communication, enter the Ethernet communication network number in Pr. 1424 and the Ethernet communication station number in Pr. 1425.

5.12.9 MELSOFT / FA product connection

FR Configurator2, GOT, or a relay station (programmable controller) can be connected via Ethernet.

Initial setting

- Set any value from "5000 to 5002, 5006 to 5008" in any of Pr. 1427 to Pr. 1429 (Ethernet function selection 1 to 3) to select the MELSOFT / FA product connection for the application. (For how to set the application value, refer to the Instruction Manual of the device connected via Ethernet.) (Refer to page 5-524.)
- Enter the Ethernet communication network number in Pr. 1424 and the Ethernet communication station number in Pr. 1425. (Refer to page 5-530.)
- Enable the PLC function (Pr. 414 "PLC function operation selection" \neq "0 (initial value)") to use FR Configurator2 (Developer). (For the details of Pr. 414, refer to page 5-439.)

System configuration

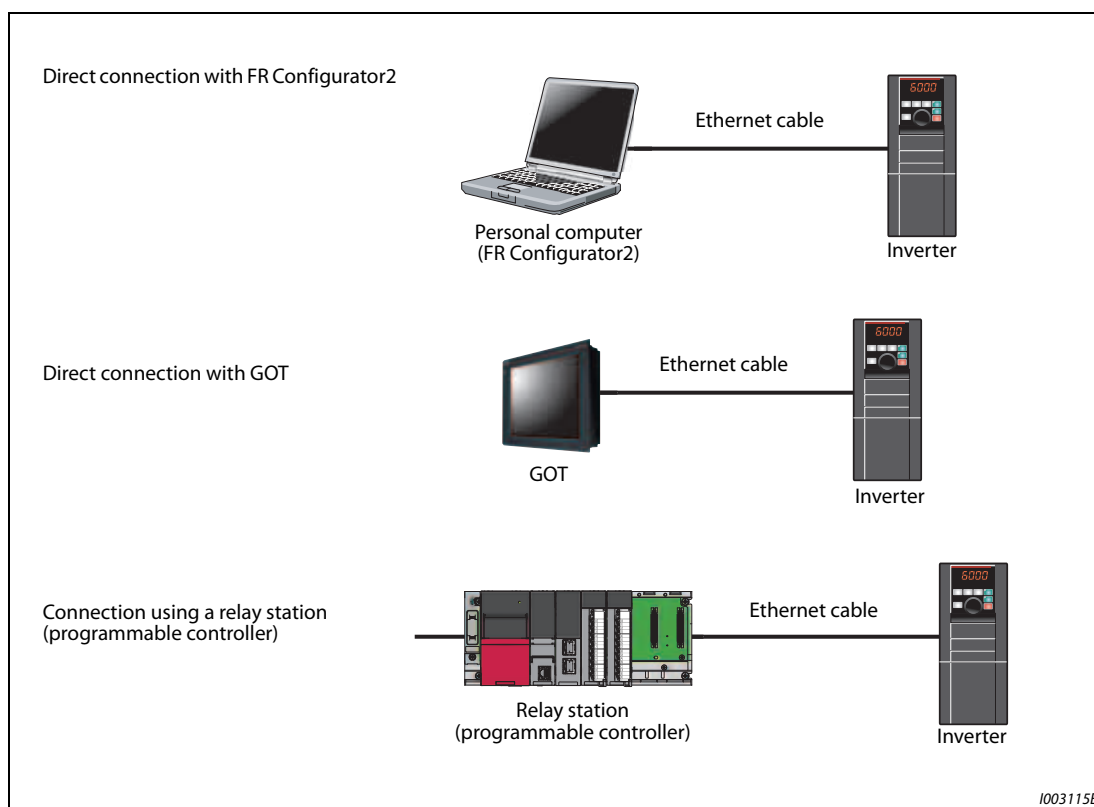


Fig. 5-256: MELSOFT / FA product connection system configuration

5.12.10 USB device communication

A personal computer and an inverter can be connected with a USB cable. Setup of the inverter can be easily performed with FR Configurator2.

The inverter can be connected simply to a personal computer by a USB cable.

Pr.	Name	Initial value	Setting range	Description
547 ① N040	USB communication station number	0	0 to 31	Inverter station number specification
548 ① N041	USB communication check time interval	9999	0	USB communication is possible, however the inverter will trip (E.USB) when the mode changes to the PU operation mode.
			0.1 to 999.8 s	Set the communication check time interval. If a no-communication state persists for longer than the permissible time, the inverter will trip (E.USB).
			9999	No communication check

① Changed setting value becomes valid at power ON or the inverter reset.

USB communication specifications

Specification	Description
Interface	Conforms to USB1.1 (USB2.0 full speed)
Transmission speed	12 Mbps
Wiring length	Maximum 5 m
Connector	USB mini B connector (receptacle)
Power supply	Self-powered
Recommended USB cable	MR-J3USBCBL3M (cable length 3 m)

Tab. 5-279: USB communication specifications

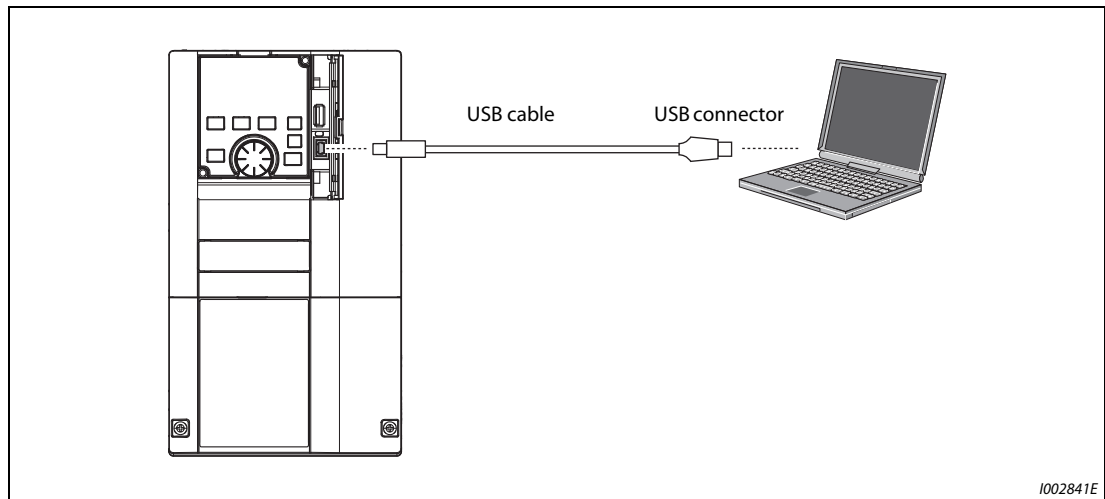


Fig. 5-257: Connection to the USB connector

- At the initial setting (Pr. 551 "PU mode operation command source selection" = "9999"), communication with FR Configurator2 can be made in the PU operation mode simply by connecting a USB cable. To fix the command source to the USB connector in the PU operation mode, set "3" to Pr. 551.
- Parameter setting and monitoring can be performed by FR Configurator2. For details, refer to the Instruction Manual of FR Configurator2.

Parameters referred to			
Pr. 551	PU mode operation command source selection	=>	page 5-130

5.12.11 Automatic connection with GOT

When the automatic connection is enabled in the GOT2000 series, the inverter can communicate with the GOT only setting the station number and connecting the GOT. This eliminates the need for the communication parameter setting.

Pr.	Name	Initial value	Setting range	Description
117 N020	PU communication station number	0	0 to 31	Set the inverter station numbers. The inverter station number setting is required when multiple inverters are connected to one GOT (PU connector communication).
331 N030	RS-485 communication station number	0	0 to 31 (0 to 247) ① ②	Set the inverter station numbers. The inverter station number setting is required when multiple inverters are connected to one GOT (RS-485 terminal communication).

- ① When Pr. 549 "Protocol selection" = "1" (MODBUS® RTU protocol), the setting range is as shown in the parentheses.
- ② When the set value is outside of the setting range, the initial value is applied.

Automatic connection system configuration

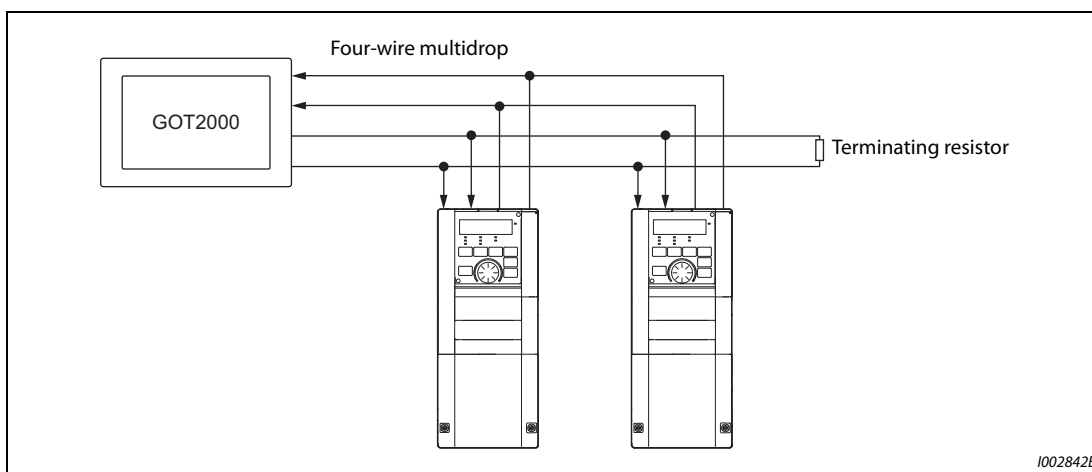


Fig. 5-258: Automatic connection for GOT2000

GOT2000 series automatic recognition

- When the GOT2000 series is connected, the parameters required for the GOT connection are automatically changed by setting the automatic recognition on the GOT2000 series side.
- Set the station number (Pr. 117 or Pr. 331) of the inverter before the automatic recognition is performed.
- Connect all the stations of inverters with GOT before the automatic recognition is performed. The inverter newly added after automatic recognition is not recognized automatically. (When an inverter is added, perform the initial setting in Pr. 999 "Automatic parameter setting" or set the automatic recognition on the GOT side again.)

Automatic change item	Automatic change parameter		Setting value after change
	PU connector connection	RS-485 terminal connection	
Communication speed	Pr. 118	Pr. 332	Depending on the setting of the connected device on the GOT side.
Data length/stop bit	Pr. 119	Pr. 333	
Parity	Pr. 120	Pr. 334	
Waiting time setting	Pr. 123	Pr. 337	
CR/LF selection	Pr. 124	Pr. 341	
Number of communication retries	Pr. 121	Pr. 335	9999 (fixed)
Communication check time interval	Pr. 122	Pr. 336	9999 (fixed)
Protocol selection	— (Pr. 549 holds the value before the automatic recognition.)	Pr. 549	0 (fixed to Mitsubishi inverter protocol)

Tab. 5-280: Automatic parameter change with GOT**NOTES**

- | If the automatic recognition cannot be performed, initial setting in Pr. 999 is required.
- | For connection to a device other than the GOT2000 series, initial setting in Pr. 999 is required.
- | For details, refer to the GOT2000 Series Connection Manual (Mitsubishi Product).

Parameters referred to			
Pr. 999	Automatic parameter setting	=>	page 5-80

5.13 (G) Control parameters

Purpose	Parameter to set			Refer to page
	Parameter to set			
To set the starting torque manually	Manual torque boost	P.G000, P.G010	Pr. 0, Pr. 46	5-535
To set the motor constant	Base frequency, base frequency voltage	P.G001, P.G002, P.G011	Pr. 3, Pr. 19, Pr. 47	5-537
To select the V/F pattern matching the application	Load pattern selection	P.G003	Pr. 14	5-539
To perform energy saving operation	Energy saving operation	P.G030	Pr. 60	5-541
To use a special motor	Adjustable 5 points V/F	P.C100, P.G040 to P.G049	Pr. 71, Pr. 100 to Pr. 109	5-542
To compensate the motor slip amount when replacing an SF-JR motor with an SF-PR motor	SF-PR slip amount adjustment mode	P.G060, P.G061	Pr. 673, Pr. 674	5-544
To adjust the motor braking torque	DC injection brake	P.G100, P.G101, P.G110	Pr. 10 to Pr. 12	5-545
To coast the motor to a stop	Output stop function	P.G105	Pr. 522	5-548
	Selection of motor stop method	P.G106	Pr. 250	5-293
To use the regeneration unit to increase the motor braking torque	Regenerative brake selection	P.E300, P.T721	Pr. 30, Pr. 599	5-552
To operate the inverter with DC power supply	DC feeding mode	P.E300	Pr. 30	5-552
To avoid overvoltage alarm due to regenerative driving by automatic adjustment of the output frequency	Regeneration avoidance function	P.G120 to P.G125	Pr. 882 to Pr. 886, Pr. 665	5-560
To decrease the deceleration time of the motor	Increased magnetic excitation deceleration	P.G130 to P.G132	Pr. 660 to Pr. 662	5-564
To select the control method	Control method selection	P.G200	Pr. 800	5-41
To secure the low-speed torque by compensating the slip of the motor	Slip compensation	P.G203 to P.G205	Pr. 245 to Pr. 247	5-566
To adjust the speed control gain	Speed control gain	P.G211, P.G212, P.G311, P.G312	Pr. 820, Pr. 821, Pr. 830, Pr. 831	5-55
To adjust the torque control gain	Torque control gain	P.G213, P.G214, P.G313, P.G314	Pr. 824, Pr. 825, Pr. 834, Pr. 835	5-55
To stabilize torque feedback signal	Torque detection filter	P.G216, P.G316	Pr.827, Pr.837	5-59
To suppress the machine resonance	Speed smoothing control	P.G410, P.G411	Pr. 653, Pr. 654	5-567
To adjust the speed gain for Advanced magnetic flux vector control	Speed control gain	P.G932, P.G942	Pr. 89, Pr. 569	5-45

5.13.1 Manual torque boost

Voltage drop in the low-frequency range can be compensated, improving reduction of the motor torque in the low-speed range.

- Motor torque in the low-frequency range can be adjusted according to the load, increasing the motor torque at the start up.
- By using the RT signal, it is possible to switch between 2 types of torque boost.

Pr.	Name	Initial value	Setting range	Description
0 G000	Torque boost	6% ^①	0 to 30%	Set the output voltage at 0 Hz in %.
		4% ^②		
		3% ^③		
		2% ^④		
		1.5% ^⑤		
		1% ^⑥		
46 G010	Second torque boost	9999	0 to 30%	Set the torque boost value at when RT signal is ON.
			9999	Without second torque boost

① Initial value for the FR-F820-00046(0.75K) or lower and FR-F840-00023(0.75K or lower).

② Initial values for the FR-F820-00077(1.5K) to FR-F820-00167(3.7K), FR-F840-00038(1.5K) to FR-F840-00083(3.7K).

③ Initial values for the FR-F820-00250(5.5K), FR-F820-00340(7.5K), FR-F840-00126(5.5K), FR-F840-00170(7.5K).

④ Initial values for the FR-F820-00490(11K) to FR-F820-01540(37K), FR-F840-00250(11K) to FR-F840-00770(37K).

⑤ Initial value for the FR-F820-01870(45K), FR-F820-02330(55K), FR-F840-00930(45K), FR-F840-01160(55K).

⑥ Initial value for the FR-F820-03160(75K) or higher and FR-F840-01800(75K) or higher.

Starting torque adjustment

- Assuming Pr. 19 "Base frequency voltage" is 100%, set the output voltage at 0 Hz to Pr. 0 (Pr. 46) in percentage.
- Perform the adjustment of the parameter little by little (approximately 0.5%), and confirm the status of the motor each time. The motor may overheat when the value is set too high. Do not use more than 10% as a guideline.

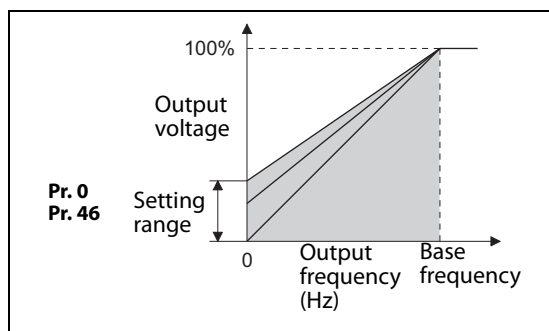


Fig. 5-259:

Relationship between output frequency and output voltage

1002748E

Setting multiple torque boosts (RT signal, Pr. 46)

- When changing the torque boost depending on the usage or when using single inverter switching between multiple motors, use the second torque boost.
- Pr. 46 "Second torque boost" will become enabled when the RT signal turns ON.

NOTES

The RT signal acts as the second function selection signal and makes the other second functions valid. (Refer to page 5-291.)

The RT signal is assigned to the terminal RT in the initial status. Set "3" in any of Pr. 178 to Pr. 189 (input terminal function selection) to assign the RT signal to another terminal.

Set a larger value when the distance between the inverter and the motor is long or when there is not enough motor torque in the low-speed range. It may cause overcurrent trip when it is set too large.

Setting for Pr. 0, and Pr. 46 becomes enabled only when the V/F control is selected.

When the initial value is set in Pr. 0, the Pr. 0 setting is automatically changed by changing the Pr. 71 "Applied motor", Pr. 81 "Number of motor poles" setting. (Refer to page 5-297.)

Changing the terminal assignment using Pr. 178 to Pr. 189 (input terminal function selection) may affect the other functions. Set parameters after confirming the function of each terminal.

Parameters referred to			
Pr. 3	Base frequency	=>	page 5-537
Pr. 19	Base frequency voltage	=>	page 5-537
Pr. 71	Applied motor	=>	page 5-297
Pr. 178 to Pr. 182	(input terminal function selection)	=>	page 5-285

5.13.2 Base frequency, voltage V/F

Use this function to adjust the inverter outputs (voltage, frequency) to match with the motor rating.

Pr.	Name	Initial value		Setting range	Description
		FM	CA		
3 G001	Base frequency	60 Hz	50 Hz	0 to 590 Hz	Set the frequency at the rated motor torque. (50 Hz/60 Hz)
19 G002	Base frequency voltage	9999	8888	0 to 1000 V	Set the base voltage.
				8888	95% of the power supply voltage
				9999	Same as the power supply voltage
47 G011	Second V/F (base frequency)	9999		0 to 590 Hz	Set the base frequency at the RT signal ON.
				9999	Second V/F disabled

Setting of base frequency (Pr. 3)

- When operating a standard motor, generally set the rated frequency of the motor in Pr. 3 "Base frequency". When the motor operation require switching to the commercial power supply, set the power supply frequency in Pr. 3.
- When the frequency on the motor rating plate is only "50 Hz", make sure to set to "50 Hz". When it is set to "60 Hz", the voltage will drop too much, causing insufficient torque. As a result, the inverter may trip due to overload.
A caution is required especially in case of Pr. 14 "Load pattern selection" = "1" (variable torque load).
- When using the Mitsubishi constant torque motor, set Pr. 3 to 60 Hz.

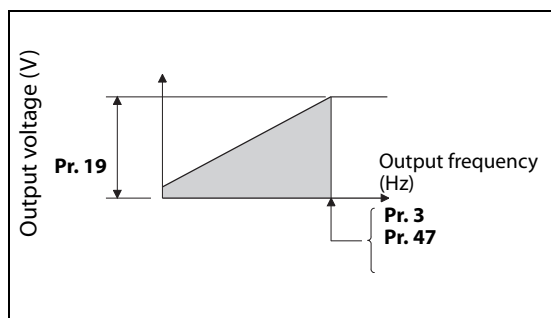


Fig. 5-260:
Output voltage related to the output frequency

1002749E

Setting multiple base frequencies (Pr. 47)

- To change the base frequency when using single inverter switching between multiple motors, use Pr. 47 "Second V/F (base frequency)".
- Pr. 47 will become enabled when the RT signal turns ON.

NOTES

The RT signal acts as the second function selection signal and makes the other second functions valid. (Refer to page 5-291.)

The RT signal is assigned to the terminal RT in the initial status. It is also possible to assign the RT signal to other terminal by setting "3" on Pr. 178 to Pr. 189 (input terminal function selection).

Setting of base frequency voltage (Pr. 19)

- For Pr. 19 "Base frequency voltage", set the base voltage (rated motor voltage, etc.).
- When it is set lower than the power supply voltage, maximum output voltage of the inverter will be the voltage set in Pr. 19.
- Pr. 19 can be used in following cases.
 - Regenerative driving (continuous regeneration, etc.) is performed often
Output voltage will get higher than the specification during the regenerative driving, which may cause overcurrent trip (E.OC[]) by the increase in motor current.
 - When the fluctuation of power supply voltage is high
When the power supply voltage exceeds the rated voltage of the motor, fluctuation of rotation speed or overheating of motor may occur due to excessive torque or increase in motor current.

NOTES

When the Advanced magnetic flux vector control, or PM motor control is selected, Pr. 3, Pr. 47, and Pr. 19 will become disabled, and Pr. 83 and Pr. 84 will become enabled.
However, S-pattern curve with Pr. 29 "Acceleration/deceleration pattern selection" = "1" (S-pattern acceleration/deceleration A) will make Pr. 3 or Pr. 47 enabled. (S-pattern curve at the time of the PM motor control is the rated frequency of the motor.)

When Pr. 71 "Applied motor" = "2" (adjustable 5 points V/F), setting for Pr. 47 will become disabled. Also, Pr. 19 cannot be set to "8888" or "9999".

Changing the terminal assignment using Pr. 178 to Pr. 189 (input terminal function selection) may affect the other functions. Set parameters after confirming the function of each terminal.

Parameters referred to			
Pr. 14	Load pattern selection	=>	page 5-539
Pr. 29	Acceleration/deceleration pattern selection	=>	page 5-107
Pr. 71	Applied motor	=>	page 5-297
Pr. 83	Rated motor voltage	=>	page 5-45
Pr. 84	Rated motor frequency	=>	page 5-45
Pr. 178 to Pr. 189	(input terminal function selection)	=>	page 5-285

5.13.3 Load pattern selection

Optimal output characteristics (V/F characteristics) for application or load characteristics can be selected.

Pr.	Name	Initial value	Setting range	Description
14 G003	Load pattern selection	1	0	For constant-torque load
			1	For variable-torque load

Application for constant-torque load (Pr. 14 = "0")

- The output voltage will change linearly against the output frequency at the base frequency or lower.
- Set this parameter when driving a load that has constant load torque even when the rotation speed is changed, such as conveyor, dolly, or roll drive.

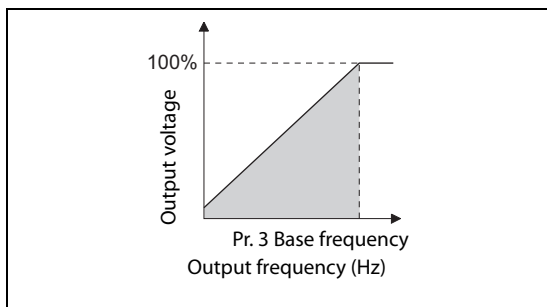


Fig. 5-261:
Constant-torque load

1002750E

NOTE

Select for constant-torque load (setting value "0") even for fan and pump in following cases.

- When accelerating a blower with large moment of inertia (J) in a short period of time.
- When it is a constant-torque load such as rotary pump or gear pump.
- When the load torque increases in low speed such as screw pump.

Application for variable-torque load (Pr. 14 = "1", initial value)

- The output voltage will change in square curve against the output frequency at the base frequency or lower. (1.75th-power curve for FR-F820-01540(37K) or higher, and FR-F840-00770(37K) or higher.)
- Set this parameter when driving a load with load torque change proportionally against the square of the rotation speed, such as fan and pump.

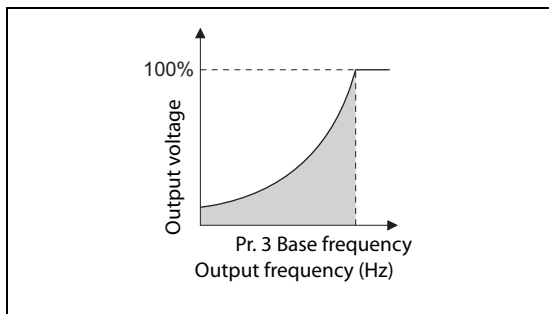


Fig. 5-262:
Variable-torque load

1002751E

NOTE

Pr. 14 will become enabled at the time of V/F control.

Parameters referred to			
Pr. 0	Torque boost	=>	page 5-535
Pr. 3	Base frequency	=>	page 5-537
Pr. 178 to Pr. 182	(input terminal function selection)	=>	page 5-285

5.13.4 Energy saving control

Inverter will perform energy saving control automatically even when the detailed parameter settings are made.

It is appropriate for applications such as fan and pump.

Pr.	Name	Initial value	Setting range	Description
60 G030	Energy saving control selection	0	0	Normal operation
			4	Energy saving operation
			9	Optimum excitation control

Energy saving operation (setting "4")

- Setting Pr. 60 = "4" will select the energy saving operation.
- With the energy saving operation, the inverter will automatically control the output voltage so the inverter output power during the constant-speed operation will become minimal.
- Energy saving operation will be enabled under V/F control.

Optimum excitation control (setting "9")

- Setting Pr. 60 = "9" will select the Optimum excitation control.
- The Optimum excitation control is a control method to decide the output voltage by controlling the excitation current so the efficiency of the motor is maximized.
- Optimum excitation control will be enabled under V/F control and Advanced magnetic flux vector control.

NOTES

An energy saving effect is not expected with the energy saving operation mode for applications with high load torque or with the equipment with frequent acceleration and deceleration.

An energy saving effect is not expected with the Optimum excitation control mode when the motor capacity is extremely small compared with the inverter capacity or when multiple motors are connected to a single inverter.

When the energy saving operation mode or Optimum excitation control mode is selected, the deceleration time may become longer than setting value. Also, it may cause overvoltage more often compared to constant-torque load characteristics, so set the deceleration time longer.

When the motor becomes unstable during the acceleration, set the acceleration time longer.

Output current may increase slightly with the energy saving operation mode or the Optimum excitation control mode since the output voltage is controlled.

5.13.5 Adjustable 5 points V/F

By setting a desired V/F characteristic from the start up to the base frequency or base voltage with the V/F control (frequency voltage/frequency), a dedicated V/F pattern can be generated.

Optimal V/F pattern matching the torque characteristics of the facility can be set.

Pr.	Name	Initial value	Setting range	Description
71 C100	Applied motor	0	2	Standard motor (such as SF-JR) Adjustable 5 points V/F
			Others	Refer to page 5-297.
100 G040	V/F1(first frequency)	9999	0 to 590 Hz, 9999	Set each point of the V/F pattern (frequency, voltage). 9999: Do not set V/F
101 G041	V/F1(first frequency voltage)	0 V	0 to 1000 V	
102 G042	V/F2(second frequency)	9999	0 to 590 Hz, 9999	
103 G043	V/F2(second frequency voltage)	0 V	0 to 1000 V	
104 G044	V/F3(third frequency)	9999	0 to 590 Hz, 9999	
105 G045	V/F3(third frequency voltage)	0 V	0 to 1000 V	
106 G046	V/F4(fourth frequency)	9999	0 to 590 Hz, 9999	
107 G047	V/F4(fourth frequency voltage)	0 V	0 to 1000 V	
108 G048	V/F5(fifth frequency)	9999	0 to 590 Hz, 9999	
109 G049	V/F5(fifth frequency voltage)	0 V	0 to 1000 V	

- By setting the V/F1 (first frequency voltage/first frequency) to V/F5 parameters in advance, a desired V/F characteristic can be obtained.
- For an example, with the equipment with large static friction factor and small dynamic friction factor, large torque is required only at the start up, so a V/F pattern that will raise the voltage only at the low-speed range is set.

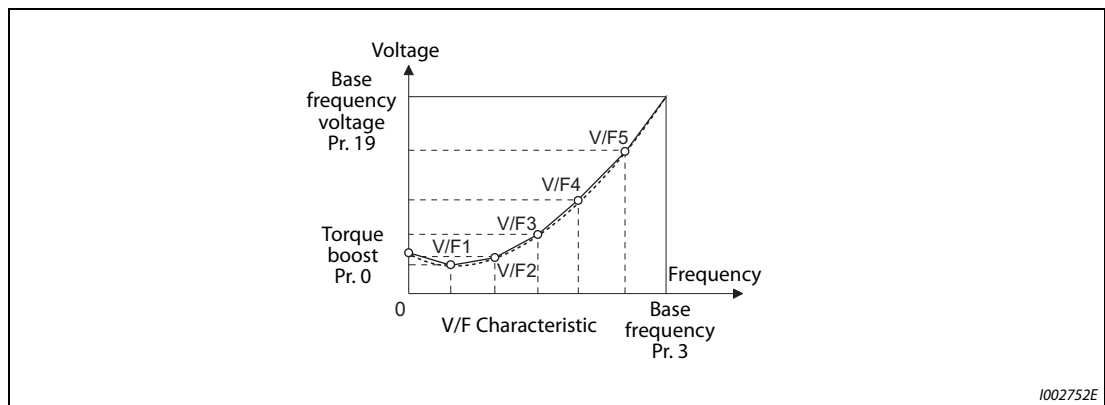


Fig. 5-263: V/F characteristic

● Setting procedure

- ① Set the rated motor voltage in Pr. 19 "Base frequency voltage".
(No function at the setting of "9999" or "8888".)
- ② Set Pr. 71 "Applied motor" = "2" (adjustable 5 points V/F).
- ③ Set frequency and voltage to be set in Pr. 100 to Pr. 109.



CAUTION:

Make sure to set this parameter correctly according to the motor used. Incorrect setting may cause the motor to overheat and burn.

NOTES

Adjustable 5 points V/F will become enabled at the time of V/F control.

At the time of Pr. 19 Base frequency voltage = "8888, 9999", setting of Pr. 71 = "2" cannot be made.
When setting Pr. 71 = "2", set the rated motor voltage in Pr. 19.

Read only error (E_{r-1}) is generated when the frequency value for each point is same.

Set each point for Pr. 100 to Pr. 109 (frequency, voltage) within the range of Pr. 3 "Base frequency" and Pr. 19 "Base frequency voltage".

When Pr. 71 = "2", Pr. 47 "Second V/F (base frequency)" will not function.

When Pr. 71 = "2", electronic thermal O/L relay will make calculations assuming a standard motor.

By simultaneously using Pr. 60 "Energy saving control selection" and the adjustable 5 points V/F, further energy saving effect is expected.

The Pr. 0 "Torque boost" and Pr. 12 "DC injection brake operation voltage" settings are automatically changed according to the Pr. 71 setting. (Refer to page 5-301.)

Parameters referred to			
Pr. 0	Torque boost	=>	page 5-535
Pr. 3	Base frequency	=>	page 5-537
Pr. 19	Base frequency voltage	=>	page 5-537
Pr. 12	DC injection brake operation voltage	=>	page 5-545
Pr. 47	Second V/F (base frequency)	=>	page 5-542
Pr. 60	Energy saving control selection	=>	page 5-541
Pr. 71	Applied motor	=>	page 5-297
Pr. 450	Second applied motor	=>	page 5-297

5.13.6 SF-PR slip amount adjustment mode

As compared to our conventional SF-JR motor, the slip amount is small for the high-performance energy-saving SF-PR motor. When replacing the SF-JR to the SF-PR, the slip amount is reduced and the rotations per minute increases.

Therefore, when the SF-PR is used with the same frequency setting as that of the SF-JR, power consumption may increase as compared to the SF-JR.

By setting the slip amount adjustment mode, the frequency command can be adjusted to keep the rotations per minute of the SF-PR equivalent to those of the SF-JR for power consumption reduction.

Pr.	Name	Initial value	Setting range	Description
673 G060	SF-PR slip amount adjustment operation selection	9999	2, 4, 6	Set the number of SF-PR motor poles.
			9999	Slip amount adjustment mode invalid
674 G061	SF-PR slip amount adjustment gain	100%	0 to 500%	Setting is available for fine adjustment of the slip amount.

- By setting the number of SF-PR motor poles in Pr. 673 "SF-PR slip amount adjustment operation selection", the SF-PR slip amount adjustment mode is activated.
- The SF-PR slip amount adjustment mode is available only under V/F control.
- Use Pr. 674 "SF-PR slip amount adjustment gain" to fine-tune the rotations per minute. To reduce the rotations per minute (to increase the compensation frequency), set a larger value in Pr.674. To increase the rotations per minute (to reduce the compensation frequency), set a smaller value in Pr. 674. (Lower rotations per minute reduce the power consumption, and higher rotations per minute increase the power consumption.)

NOTE

The slip amount adjustment mode is not available in the following cases:
 During acceleration/deceleration, during DC injection brake operation, during PID control, during stall prevention operation, during regeneration avoidance operation, during traverse operation, and while the slip compensation is valid (Pr. 245).

5.13.7 DC injection brake

Timing to stop or braking torque can be adjusted by applying DC injection brake at the time of stopping motor.

By the DC injection brake operation, DC voltage is applied to the motor to prevent rotation of the motor shaft. The motor shaft will not return to its original position when it is rotated due to external force.

Pr.	Name	Initial value	Setting range	Description
10 G100	DC injection brake operation frequency	3 Hz	0 to 120 Hz	Set the operation frequency for the DC injection brake.
			9999	Operate at Pr. 13 or lower
11 G101	DC injection brake operation time	0.5 s	0	Without DC injection brake
			0.1 to 10 s	Set the operation time for the DC injection brake
			8888	Operate with X13 signal ON
12 G110	DC injection brake operation voltage	4% ^①	0 to 30%	Set the DC injection brake voltage (torque). When set to "0", there will be without DC injection brake.
		2% ^②		
		1% ^③		

① Initial value for the FR-F820-00340(7.5K) or lower and FR-F840-00170(7.5K) or lower.

② Initial values for the FR-F820-00490(11K) to FR-F820-02330(55K), FR-F840-00250(11K) to FR-F840-01160(55K).

③ Initial value for the FR-F820-03160(75K) or higher and FR-F840-01800(75K) or higher.

Setting of operating frequency (Pr. 10)

- By setting the frequency to operate the DC injection brake to Pr. 10 "DC injection brake operation frequency", the DC injection brake will operate when it reaches this frequency at the time of deceleration.
- When Pr. 10 = "9999", DC injection brake will start when the frequency reaches Pr. 13 "Starting frequency".
- The DC injection brake operation frequency depends on the stopping method.

Stopping method	Parameter setting	DC injection brake operation frequency
Press the STOP key on the operation panel Turning OFF of the STF/STR signal	0.5 Hz or higher in Pr. 10	Pr. 10 setting
	Lower than 0.5 Hz in Pr. 10, and 0.5 Hz or higher in Pr. 13	0.5Hz
	Lower than 0.5 Hz in both Pr. 10 and Pr. 13	Pr. 10 or Pr. 13 setting, whichever larger
Set the frequency to 0 Hz	—	Pr. 13 setting or 0.5 Hz, whichever larger

Tab. 5-281: DC injection brake operation frequency and stopping method

- DC injection brake operation frequency will be fixed to 0 Hz at the time of PM motor control.

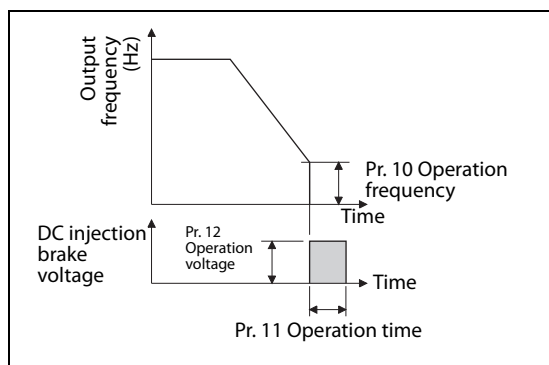


Fig. 5-264:

When Pr. 11 is set to a value between 0.1 and 10 s

1002753E

Setting of operation time (X13 signal, Pr. 11)

- Set the time applying the DC injection brake to Pr. 11 "DC injection brake operation time".
- When the motor does not stop due to large load moment (J), increasing the setting produces an effect.
- When Pr. 11 = "0 s", DC injection brake will not operate. (The motor will coast to stop.)
- When Pr. 11 = "8888", DC injection brake will operate when the X13 signal is turned ON. DC injection brake will operate when the X13 signal is turned ON even while operating.
- For the X13 signal input, set "13" in any of Pr. 178 to Pr. 189 to assign the function.

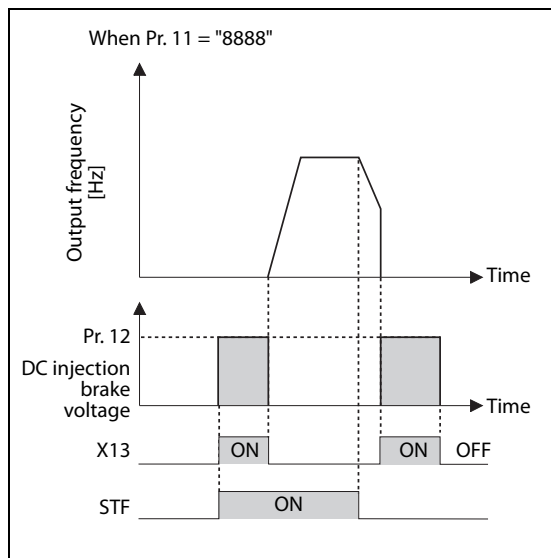


Fig. 5-265:
When Pr. 11 is set to "8888"

I001559E

NOTE

The X13 signal is disabled during PM motor control.

Setting of operation voltage (torque) (Pr. 12)

- Pr. 12 "DC injection brake operation voltage" will set the percent against the power supply voltage.
- DC injection brake will not operate with setting of Pr. 12 = "0%". (The motor will coast to stop.)

NOTES

When the initial value is set in Pr. 12, the setting corresponding to the motor is set according to the Pr. 71 "Applied motor" setting. (Refer to page 5-301.)

However, when an energy saving motor (SF-HR or SF-HRCA) is used, change the Pr. 12 setting as shown below.

Inverter	Pr. 12 setting
FR-F820-00167(3.7K) or lower FR-F840-00083(3.7K) or lower	4%
FR-F820-00250(5.5K), FR-F820-00340(7.5K) FR-F840-00126(5.5K), FR-F840-00170(7.5K)	3%
FR-F820-00490(11K) to FR-F820-00930(22K), FR-F820-01540(37K) or higher FR-F840-00250(11K) to FR-F840-00470(22K), FR-F840-00770(37K) or higher	2%
FR-F820-01250(30K) FR-F840-00620(30K)	1.5%

Even if the setting value of Pr. 12 is made larger, braking torque will be limited so the output current will be within the rated current of the inverter.

**CAUTION:**

Install a mechanical brake to make an emergency stop or to stay stopped for a long time.

Parameters referred to			
Pr. 13	Starting frequency	=>	page 5-115, page 5-117
Pr. 71	Applied motor	=>	page 5-297
Pr. 80	Motor capacity	=>	page 5-45
Pr. 178 to Pr. 182	(input terminal function selection)	=>	page 5-285

5.13.8 Output stop function

The motor coasts to a stop (inverter output shutoff) when inverter output frequency falls to Pr. 522 setting or lower.

Pr.	Name	Initial value	Setting range	Description
522 G105	Output stop frequency	9999	0 to 590 Hz	Set the frequency to start coasting to a stop (output shutoff).
			9999	No function

- When both of the frequency setting signal and output frequency falls to the frequency set in Pr. 522 or lower, the inverter stops the output and the motor coasts to a stop.
- At a stop condition, the motor starts running when the frequency setting signal exceeds Pr. 522 + 2 Hz. The motor is accelerated at the Pr. 13 "Starting frequency" (0.01 Hz under PM motor control) at the start.

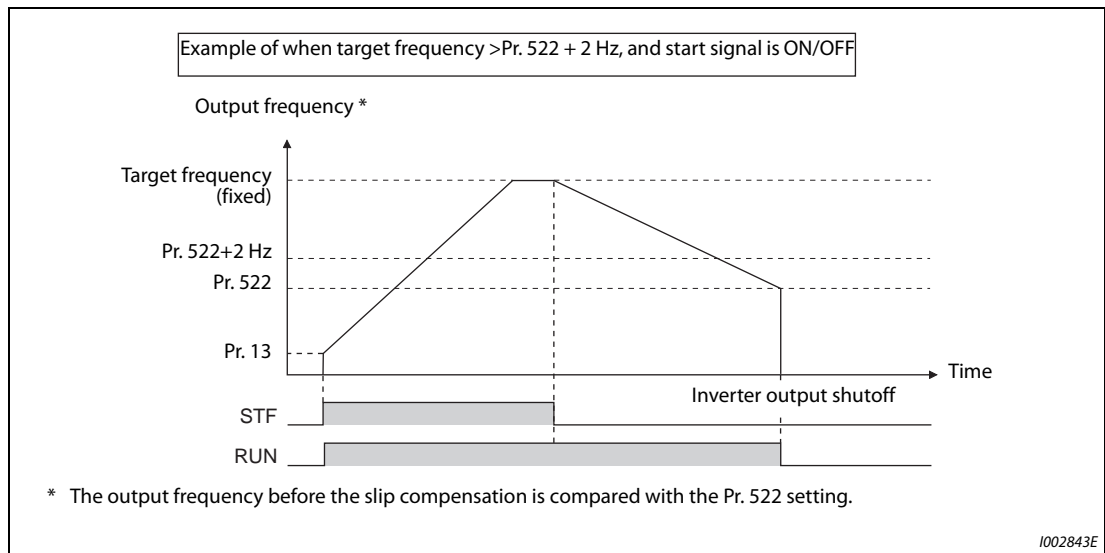


Fig. 5-266: Example for inverter output shutoff

NOTE

When the output stop function is valid (Pr. 522 ≠ "9999"), the DC injection brake becomes invalid and the motor coasts to stop when the output frequency drops to the Pr. 522 setting or lower.

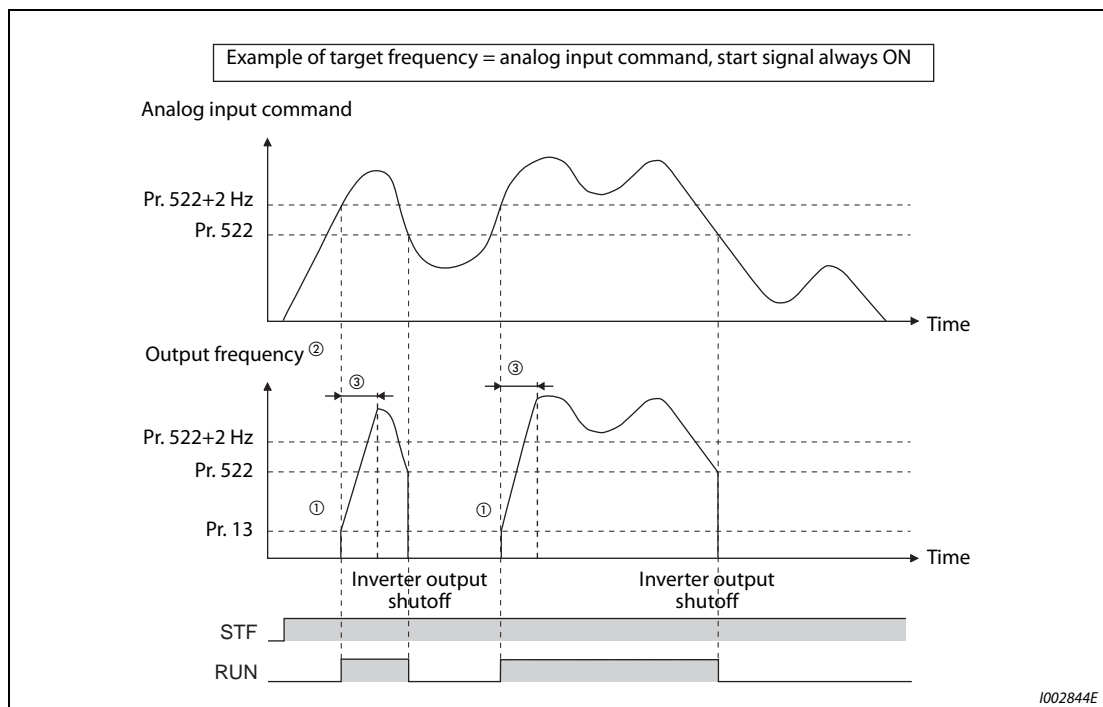


Fig. 5-267: Example for inverter output shutoff

- ① At a stop condition, the motor is accelerated at the Pr. 13 "Starting frequency" (0.01 Hz under PM motor control).
- ② The output frequency to be compared with the Pr. 522 setting is the output frequency before slip compensation (V/F control and Advanced magnetic flux vector control), or the speed command value converted into the frequency (PM motor control).
- ③ Steepness of the slope depends on the acceleration/deceleration time settings such as Pr. 7.

NOTES

Motor coasts when the command value drops to Pr. 522 or lower while the start signal is ON. If the command value exceeds Pr. 522+2 Hz again while coasting, the motor starts running at Pr. 13 Starting frequency (0.01 Hz under PM motor control). When the motor re-accelerates after coasting, the inverter may trip in some parameter settings. (Activation of the restart function is recommended especially for a PM motor.)

The output stop frequency function is disabled during PID control, JOG operation, power failure stop, traverse function operation, or offline auto tuning.

Output stop function does not operate during reverse rotation deceleration. However, when the frequency setting signal and output frequency falls to Pr. 522 or lower, the inverter coasts to a stop.

During the output stop due to the output stop function (when forward/reverse command is given, but frequency command is not given), FWD/REV LED indication on the operation panel flickers fast.



CAUTION:

A PM motor is a motor with interior permanent magnets. High voltage is generated at motor terminals while the motor is running. Do not touch motor terminals and other parts until the motor stops to prevent an electric shock.

Parameters referred to			
Pr. 10	DC injection brake operation frequency	=>	page 5-545
Pr. 11	DC injection brake operation time	=>	page 5-545
Pr. 12	DC injection brake operation voltage	=>	page 5-545
Pr. 13	Starting frequency	=>	page 5-115, page 5-117

5.13.9 Stop selection

Select the stopping method (deceleration to stop or coasting) at turn-OFF of the start signal. Use this function to stop a motor with a mechanical brake at turn-OFF of the start signal.

Selection of start signal (STF/STR) operation can also be selected. (For start signal selection, refer to page 5-293.)

Pr.	Name	Initial value	Setting range	Description	
				Start signal (STF/STR) (Refer to page 5-293.)	Stop operation
250 G106	Stop selection	9999	0 to 100 s	STF signal: Forward rotation start STR signal: Reverse rotation start	It will coast to stop after set time when the start signal is turned OFF.
			1000 s to 1100 s	STF signal: Start signal STR signal: Forward/reverse rotation signal	It will coast to stop after (Pr. 250 – 1000) s when the start signal is turned OFF.
			9999	STF signal: Forward rotation start STR signal: Reverse rotation start	It will perform deceleration stop when the start signal is turned OFF.
			8888	STF signal: Start signal STR signal: Forward/reverse rotation signal	

Make the motor perform deceleration stop

- Set Pr. 250 = "9999 (initial value) or 8888".
- It will perform deceleration stop when the start signal (STF/STR) is turned OFF.

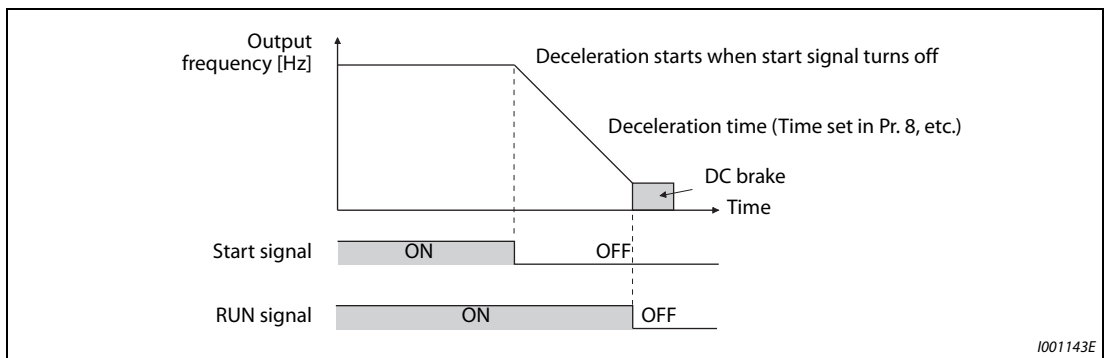


Fig. 5-268: Stop operation when parameter 250 = 8888 or 9999

Make the motor perform coast to stop

- Set the time from the time the start signal is turned OFF to when the output is shutoff in Pr. 250. When set to "1000 to 1100", output is shutoff after (Pr. 250 – 1000) s.
- The output is shutoff after the set time of Pr. 250 has elapsed after the start signal is turned OFF. The motor will coast to stop.
- The RUN signal will be turned OFF at the time of output stop.

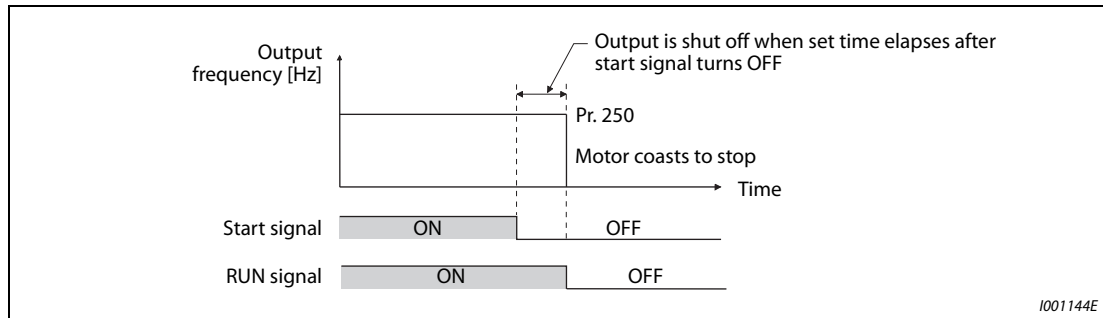


Fig. 5-269: Stop operation when parameter 250 \neq 8888 or 9999

NOTES

Stop selection is disabled when following functions are operating.

- Power failure stop function (Pr. 261)
- PU stop (Pr. 75)
- Deceleration stop due to communication error (Pr. 502)
- Offline auto tuning (with motor rotation)

When Pr. 250 \neq "9999 or 8888", acceleration/deceleration is performed in accordance to the frequency command until the output is shutoff by turning OFF the start signal.

When the restart signal is turned ON during the motor coasting, the operation is resumed from Pr. 13 "Starting frequency".

Parameters referred to			
Pr. 7	Acceleration time	=>	page 5-102
Pr. 8	Deceleration time	=>	page 5-102
Pr. 13	Starting frequency	=>	page 5-115, page 5-117
Pr. 75	Reset selection/disconnected PU detection/PU stop selection	=>	page 5-63
Pr. 261	Power failure stop selection	=>	page 5-432
Pr. 502	Stop mode selection at communication error	=>	page 5-459

5.13.10 Regenerative brake selection and DC feeding mode

- For the operation with frequent starts and stops, the regenerative power can be consumed by using the optional brake unit (FR-BU2, BU, or FR-BU).
- When using continuously in regenerative condition, use the power regeneration common converter (FR-CV) or power regeneration converter (MT-RC). The high power factor converter (FR-HC2) can be used also to reduce harmonics, improve power factor, and operate continuously in the regenerative status.
- It is possible to choose between the DC feeding mode 1, which will operate with DC power supply (terminals P and N), and DC feeding mode 2, which will normally operate in AC power supply (terminals R, S, and T) and operate in DC power supply (terminal P and N), such as batteries, at the time of power failure.
- While the power is supplied only to the control circuit, the reset operation when the power is supplied to the main circuit can be selected.

Pr.	Name	Initial value	Setting range	Description
30 E300	Regenerative function selection	0 ^①	0 to 2, 10, 11, 20, 21, 100 to 102, 110, 111, 120, 121 ^①	First digit: Regeneration unit selection ("0" for FR-BU2 (GZG/GRZG/FR-BR), "1" for FR-BU2 (MT-BR5), "2" for FR-HC2 or FR-CV)
		10 ^②	2, 10, 11, 102, 110, 111 ^②	Second digit: Selection of the method to supply power to the inverter ("0" for AC, "1" for DC, "2" for AC and DC) Third digit: Reset when the power is supplied to the main circuit ("0" for reset, "1" for no reset) For details, refer to the table below.
599 T721	X10 terminal input selection	0 ^①	0	Normally open input
		1 ^②	1	Normally closed input (NC contact input specification)

① The initial value or setting range for the standard model

② The initial value or setting range for the separated converter type

Details of the setting value

- FR-F820-02330(55K) or lower, FR-F840-01160(55K) or lower

Regeneration unit	Power supply terminals of inverter	Pr. 30 Setting ^①
Brake unit (FR-BU2 (GZG/GRZG/ FR-BR), FR-BU, BU)	R, S, T	0 (initial value), 100
	P, N	10, 110
	R, S, T/P, N	20, 120
High power factor converter (FR-HC2), Power regeneration common converter (FR-CV)	P, N	2, 102
For manufacturer setting. Do not set.		1, 11, 21, 101, 111, 121

Tab. 5-282: FR-F820-02330(55K) or lower, FR-F840-01160(55K) or lower

- FR-F820-03160(75K) or higher, FR-F840-01800(75K) or higher

Regeneration unit	Power supply terminals of inverter	Pr. 30 Setting ^①
Without regenerative function	R, S, T	0 (initial value), 100
	P, N	10, 110
	R, S, T/P, N	20, 120
Brake unit (FR-BU2 (MT-BR5))	R, S, T	1, 101
	P, N	11, 111
	R, S, T/P, N	21, 121
Power regeneration converter (MT-RC)	R, S, T	1, 101
High power factor converter (FR-HC2)	P, N	2, 102

Tab. 5-283: FR-F820-03160(75K) or higher, FR-F840-01800(75K) or higher

- FR-F842-07700(355K) or higher

Regeneration unit	Pr. 30 Setting ^①
Without regenerative function (FR-CC2)	10 (initial value), 110
Brake unit (FR-CC2 + FR-BU2 (MT-BR5))	11, 111
High power factor converter (FR-HC2)	2, 102

Tab. 5-284: FR-F842-07700(355K) or higher

- ① While the power is supplied only to the control circuit with Pr. 30 = "100 or higher", the inverter reset is not performed when the power is supplied to the main circuit.

**When using brake unit (FR-BU2, BU, FR-BU)
(FR-F820-02330(55K) or lower, FR-F840-01160(55K) or lower)**

When using FR-BU2 in combination with GZG/GRZG/FR-BR, or using BU or FR-BU, set Pr. 30 = "0 (initial value), 10, 20, 100, 110, 120".

**When using brake unit (FR-BU2)
(FR-F820-03160(75K) or higher, FR-F840-01800(75K) or higher)**

To use FR-BU2 in combination with MT-BR5, set as follows.

- Set Pr. 30 = "1, 11, 21".
- Set the brake unit FR-BU2, Pr. 0 "Brake mode selection" = "2".

NOTE

When Pr. 30 = "1, 11, 21", oL (stall prevention (overvoltage)) does not operate.

When using power regeneration converter (MT-RC)

- Set Pr. 30 = "1, 11, 21".

When using the high power factor converter (FR-HC2), the power regeneration common converter (FR-CV) or the converter unit (FR-CC2)

- To use FR-HC2 or FR-CV, set Pr. 30 = "2".
- When using FR-CC2, set Pr. 30 = "10" (initial value of separated converter type).
- Assign the following signal to a contact input terminal using any of Pr. 178 to Pr. 189 (input terminal function selection).
 - Inverter run enable signal (X10): FR-HC2 connection, FR-CV connection, FR-CC2 connection
To have coordinated protection with FR-HC2, FR-CV or FR-CC2, shutoff the inverter output by the X10 signal.
Input the RDY signal of the FR-HC2 (RDYB signal of FR-CV or RDA signal of FR-CC2).
 - FR-HC2/FR-CC2 connection, instantaneous power failure detection signal (X11): FR-HC2 connection, FR-CC2 connection
During the operation using RS-485 communication, with the remote output and analog remote output functions enabled, the X11 signal is used to store the status when the inverter is set to store the status before an instantaneous power failure.
Input the IPF signal (instantaneous power failure detection signal) of the FR-HC2 or FR-CC2.
- For the terminal to be used for the X10 and X11 signal, set "10" (X10), "11" (X11) in Pr. 178 to Pr. 189 and assign the function. (For separated converter types, the X10 signal is assigned to the terminal MRS in the initial setting.)

NOTES

For details of brake unit, high power factor converter (FR-HC2), power regeneration common converter (FR-CV) connections, refer to page 2-71 to page 2-78. Also, for details of each option, refer to instruction manual of each option.

When changed to Pr. 30 = "2", inverter will reset, so "Err" is displayed on the operation panel.

Logic reversing of inverter run enable signal (X10 signal, Pr. 599)

- Use Pr. 599 "X10 terminal input selection" to select the X10 signal input specification between normally open (NO contact) and normally closed (NC contact). With the normally closed (NC contact) input specification, the inverter output is shut off by turning OFF (opening) the X10 signal.
- Changing the inverter logic (NO/NC contact) with the Pr. 599 setting is required according to the logic of the inverter operation enable signal sent from the option unit.
- The response time of the X10 signal is within 2 ms.

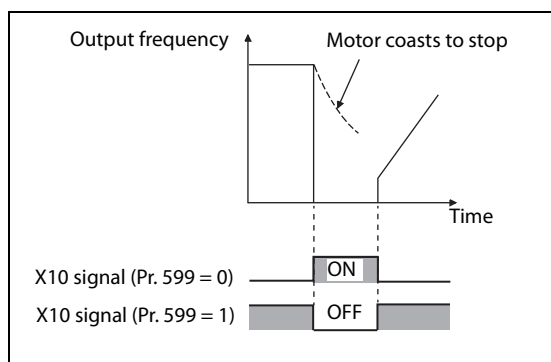


Fig. 5-270:
X10 signal

1002755E

- Relationship between Pr. 599 and the inverter operation enable signal of each option unit

Pr.599 setting	Corresponding signal of the option unit			Operation according to the X10 signal status
	FR-HC2	FR-CV	FR-CC2	
0 (Initial value of standard models)	RDY (negative logic) (initial setting)	RDYB	RDB	X10-ON: Inverter output shutoff (NO contact)
1 (Initial value of separated converter types)	RDY (positive logic)	RDYA	RDA	X10-OFF: Inverter output shutoff (NC contact)

Tab. 5-285: Selecting NO/NC contact for X10 signal

NOTES

If the X10 signal is unassigned while Pr. 30 = "2" (FR-HC2/FR-CV connection) or "10 or 11" (DC feeding mode 1), the MRS signal can be used as the X10 signal. At this time, logic setting for the signal will follow Pr. 17 "MRS input selection".

MRS signal is enabled from any of the communication or external input, but when using the MRS signal as Inverter run enable signal (X10), it can be used as input from external.

When FR-HC or MT-HC is connected, set Pr. 599 = "0 (initial value)".

When the terminal assignment is changed with Pr. 178 to Pr. 189 (input terminal function selection), wiring may be mistaken due to different terminal name and signal contents, or may affect other functions. Set parameters after confirming the function of each terminal.

**Reset when the power is supplied to the main circuit
(Pr. 30 = "100, 101, 102, 110, 111, 120 or 121")**

- While the power is supplied only to the control circuit (R1/L11, S1/L12 input or 24 V external power supply) with Pr. 30 = "100 or higher", the inverter reset is not performed when the power is supplied (R/L1, S/L2, T/L3 input) to the main circuit.
- When a communication option, etc. is used, communication interruption due to the inverter reset can be avoided.

NOTE

When the power is supplied to the main circuit while the inverter protective function is activated, the inverter reset is performed even if the setting is "No reset" at power ON.

DC feeding mode 1 (Pr. 30 = "10, 11") (Standard models)

- For standard models, setting Pr. 30 = "10 or 11" allows operation with a DC power supply.
- Do not connect anything to the AC power supply connecting terminals R/L1, S/L2, and T/L3, and connect the DC power supply to the terminals P/+ and N/-. Also, remove the jumpers between terminal R/L1 and R/L11 as well as between S/L2 and S1/L21, and connect the terminals R1/L11 and S1/L21 to the terminals P/+ and N/-.
- Following is a connection example.

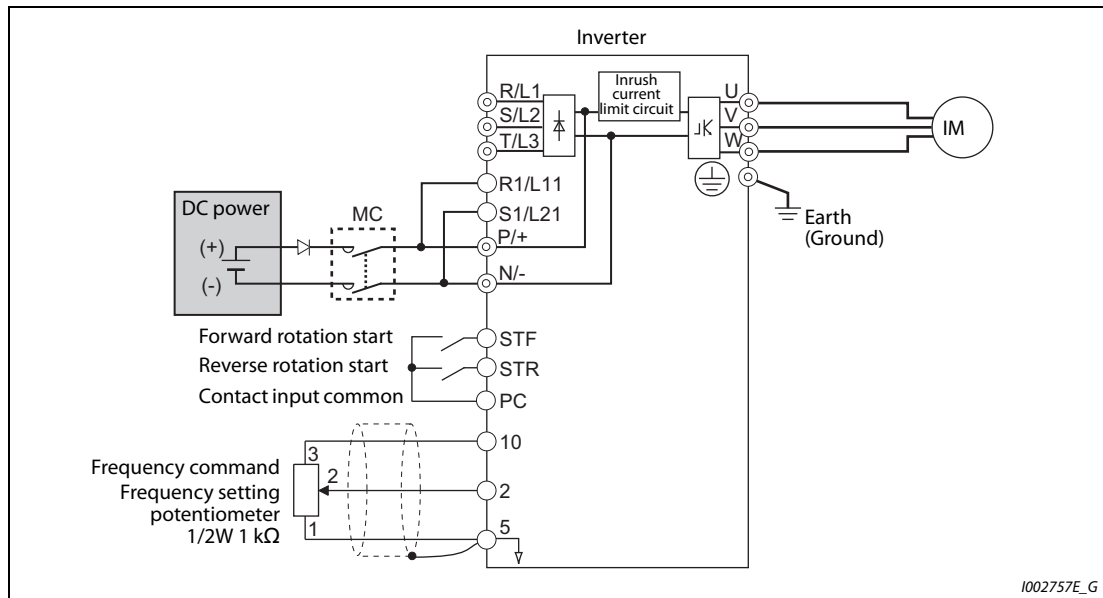


Fig. 5-271: Connection example for DC feeding mode 1

**CAUTION:**

Do not connect a separated converter type inverter to a DC power supply. Doing so may damage the inverter.

DC feeding mode 2 (Pr. 30 = "20, 21") (Standard models)

- When Pr. 30 = "20, 21", it will normally operate with AC power supply and operate with DC power supply such as batteries at the time of power failure.
- Connect the AC power supply to the AC power supply connecting terminals R/L1, S/L2, and T/L3, and connect the DC power supply to the terminals P/+ and N/-. Also, remove the jumpers between terminal R/L1 and R/L11 as well as between S/L2 and S1/L21, and connect the terminals R1/L11 and S1/L21 to the terminals P/+ and N/-.
- Operation with DC current is possible by turning ON the DC feeding operation permission signal (X70). For details on I/O signal, refer to following table.

Signal name	Name	Description	Parameter setting
Input	X70	DC feeding operation permission signal To operate with DC feeding, turn ON the X70 signal. When the inverter output is shutoff due to power failure, it will be possible to start up 200 ms after turning ON the X70 signal. (Automatic restart after instantaneous power failure can start after the time set in Pr. 57 has elapsed.) When the X70 signal is turned OFF while operating the inverter, output shutoff (Pr. 261 = 0) or deceleration stop (Pr. 261 ≠ 0) will occur.	Set "70" to either of Pr. 178 to Pr. 189.
	X71	DC feeding cancel signal Turn ON when stopping the DC feeding. When the X71 signal is turned ON during the operation of the inverter and X70 signal is ON, output shutoff (Pr. 261 = 0) or deceleration stop (Pr. 261 ≠ 0) will occur, and Y85 signal will turn OFF after stopping. After turning ON the X71 signal, operation is not possible even if the X70 signal is turned ON.	Set "71" to either of Pr. 178 to Pr. 189.
Output	Y85	DC feeding signal This will turn ON during power failure or undervoltage of the AC power supply. It will turn OFF when the X71 signal turns ON or power restoration. The Y85 signal will not turn OFF even with the power restoration while the inverter is running, but turns OFF after stopping the inverter. When the Y85 signal is turned ON due to undervoltage, the Y85 signal will not turn OFF even when the undervoltage is resolved. The ON/OFF status is maintained when the inverter is reset.	Set "85 (positive logic) or 185 (negative logic)" to one of Pr. 190 to Pr. 196.

Tab. 5-286: I/O signals for DC feeding mode 2

- Following is the connection diagram of switching to DC power supply using the power failure detection of the inverter.

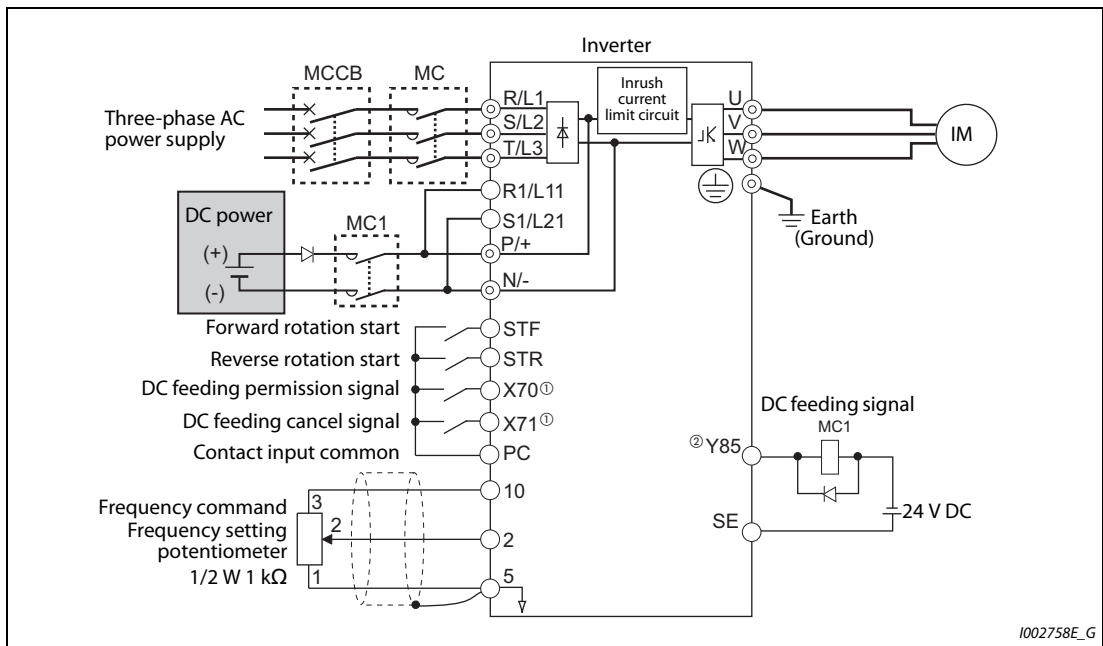


Fig. 5-272: Connection example for DC feeding mode 2

- ① Assign the function by setting Pr. 178 to Pr. 189 (input terminal function selection).
- ② Assign the function by setting Pr. 190 to Pr. 196 (output terminal function selection).

● Operation example at the time of power failure occurrence 1

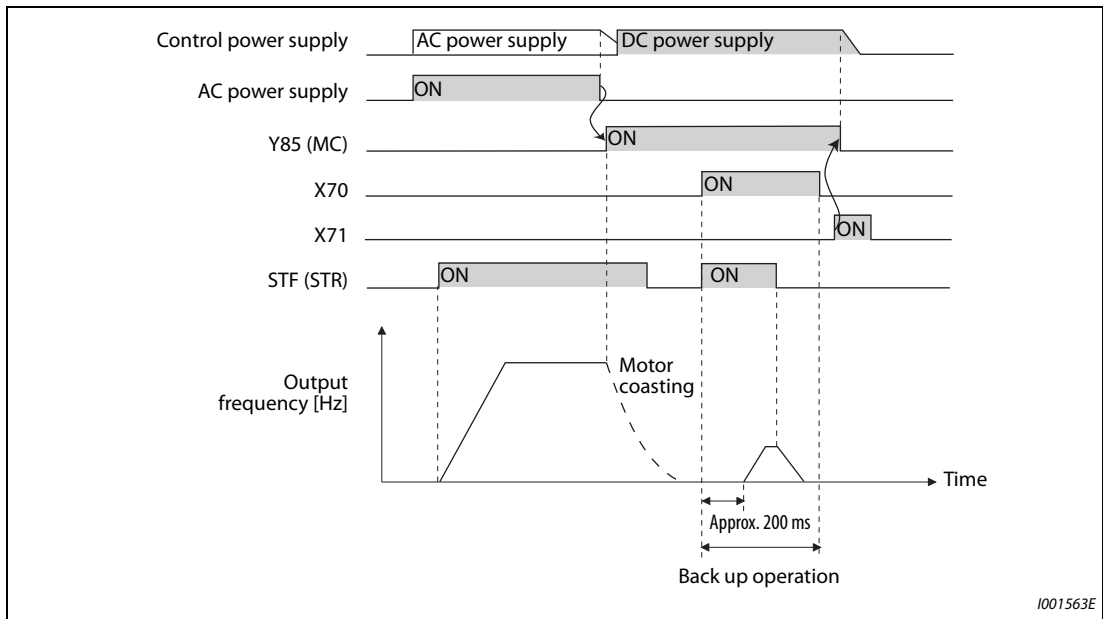


Fig. 5-273: Operation example 1 at power failure

● Operation example at the time of power failure occurrence 2 (when the AC power supply is restored)

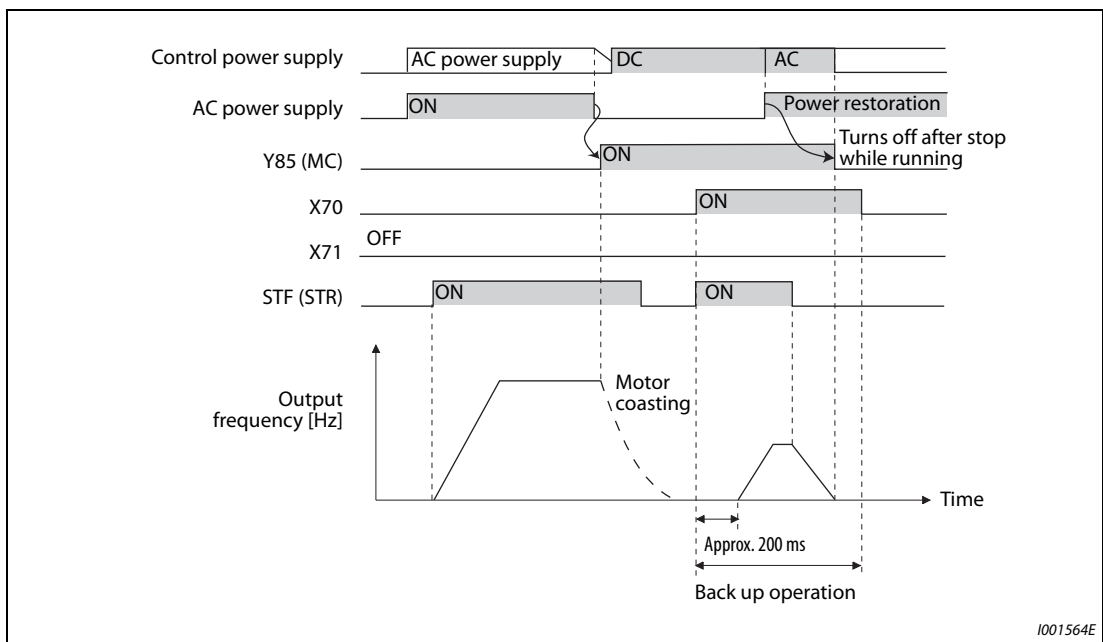


Fig. 5-274: Operation example 2 at power failure (when DC power is restored)

● Operation example at the time of power failure occurrence 3 (when continuing the operation)

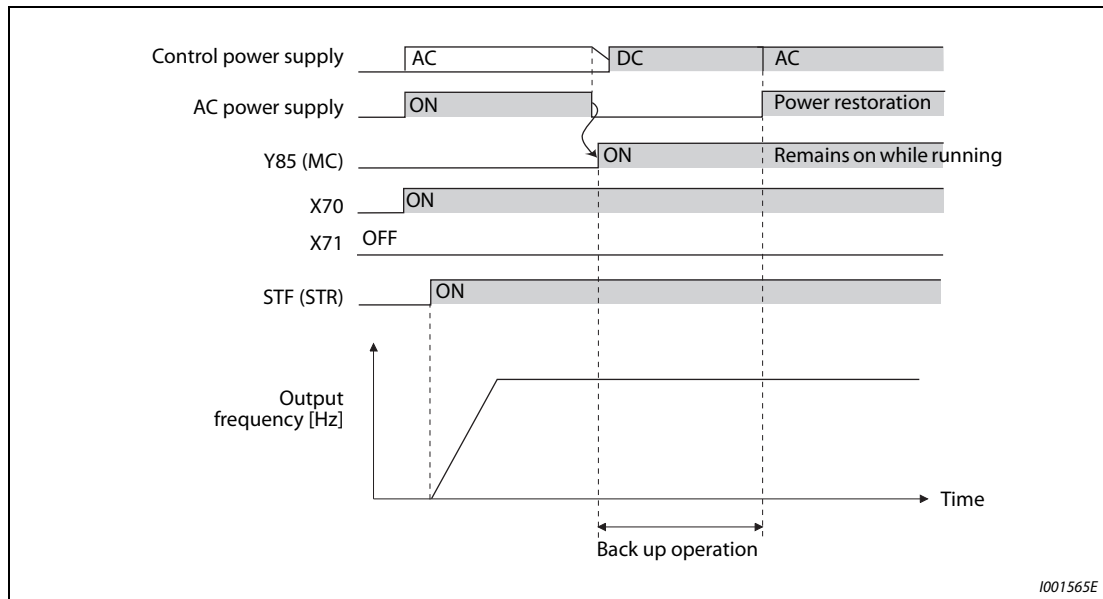


Fig. 5-275: Operation example 3 at power failure (when continuous operation is performed)

Power supply specification for DC feeding (Standard models)

200 V class	Rated input DC voltage	283 V DC to 339 V DC
	Permissible fluctuation	240 V DC to 373 V DC
400 V class	Rated input DC voltage	537 V DC to 679 V DC
	Permissible fluctuation	457 V DC to 740 V DC

Tab. 5-287: Power supply specification for DC feeding

NOTES

The voltage between P and N will temporarily increase to 415 V (830 V) or higher during the regenerative driving, so take caution on the selection of the DC power supply.

When an AC power supply is connected to the R/L1, S/L2, and T/L3 terminals during the DC feeding with Pr. 30 = "2, 10, 11" (DC feeding), an option fault (E.OPT) will occur.

When set to Pr. 30 = "2, 10, 11, 20, 21" (DC feeding) and operated by DC feeding, detection of undervoltage (E.UVT) and instantaneous power failure (E.IPF) is not performed.

When DC power is switched on, a larger inrush current flows than in AC power. The number of power-on times should be minimized.

Changing the terminal assignment using Pr. 178 to Pr. 189 (input terminal function selection) or Pr. 190 to Pr. 196 (output terminal function selection) may affect the other functions. Set parameters after confirming the function of each terminal.

Parameters referred to			
Pr. 17	MRS input selection	=>	page 5-289
Pr. 57	Restart coasting time	=>	page 5-415, page 5-423
Pr. 178 to Pr. 189	(input terminal function selection)	=>	page 5-285
Pr. 190 to Pr. 196	(output terminal function selection)	=>	page 5-231
Pr. 261	Power failure stop selection	=>	page 5-432

5.13.11 Regeneration avoidance function

The regenerative status can be avoided by detecting the regenerative status and raising the frequency.

- Continuous operation is possible by increasing the frequency automatically so it will not go into regenerative operation even when the fan is turned forcefully by other fans in the same duct.

Pr.	Name	Initial value		Setting range	Description
882 G120	Regeneration avoidance operation selection	0		0	Disables regeneration avoidance function
				1	Constantly enables regeneration avoidance function
				2	Enables regeneration avoidance function only during constant-speed operation
883 G121	Regeneration avoidance operation level	200 V Class	380 VDC	300 to 800 V	Set the bus voltage level to operate the regeneration avoidance operation. When the bus voltage level is set low, it will be harder to generate overvoltage error, but actual deceleration time will be longer. Set the setting value higher than power supply voltage $\times \sqrt{2}$.
		400 V Class	760 VDC		
884 G122	Regeneration avoidance at deceleration detection sensitivity	0		0	Disables regeneration avoidance due to bus voltage change rate
				1 to 5	Set the sensitivity to detect the bus voltage change rate Setting value: 1 → 5 Detection sensitivity: Low → High
885 G123	Regeneration avoidance compensation frequency limit value	6 Hz		0 to 590 Hz	Set the limit value for frequency to rise when the regeneration avoidance function operates.
				9999	Disables frequency limit
886 G124	Regeneration avoidance voltage gain	100%		0 to 200%	Adjust the response at the time of regeneration avoidance operation. When the setting value is set larger, response against the bus voltage change will improve, but the output frequency may become unstable.
665 G125	Regeneration avoidance frequency gain	100%		0 to 200%	When the vibration cannot be stabilized even if the setting value of Pr. 886 is made smaller, set the setting value of Pr. 665 smaller.

Regeneration avoidance operation (Pr. 882, Pr. 883)

- When the regenerative status is large, DC bus voltage will rise, which may cause overvoltage alarm (E.OV□).
Regenerative status can be avoided by detecting this rise of bus voltage, and raising the frequency when the bus voltage level exceeds Pr. 883 "Regeneration avoidance operation level".
- The regeneration avoidance operation can be selected to operate constantly or operate only during constant speed.
- The regeneration avoidance function is enabled by setting to Pr. 882 "Regeneration avoidance operation selection" = "1, 2".

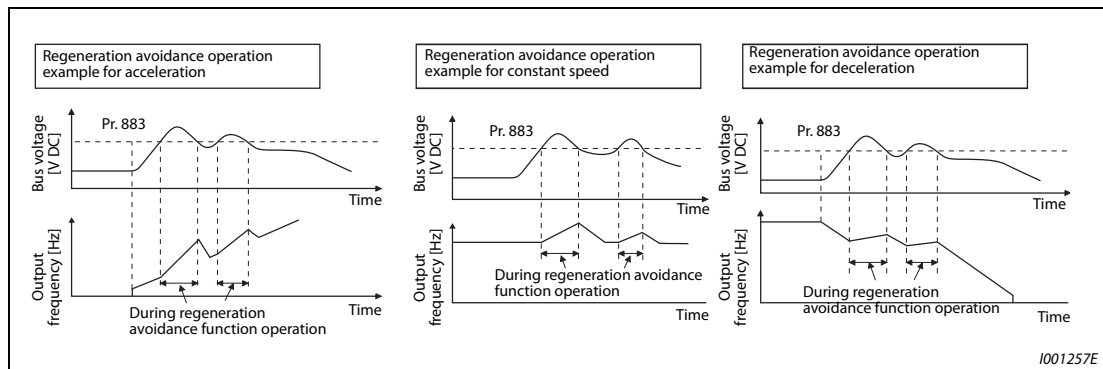


Fig. 5-276: Regeneration avoidance function

NOTES

The slope of frequency rising or lowering by the regeneration avoidance operation will change depending on the regenerative status.

The DC bus voltage of the inverter will be approximately $\sqrt{2}$ times of the normal input voltage. The bus voltage will be approximately 311 V (622 V) DC in case of input voltage of 220 V (440 V) AC. However, it may vary depending on the input power supply waveform.

Make sure that the setting value of Pr. 883 will not get under DC bus voltage level. The frequency will rise with operation of the regeneration avoidance function even at the time of no regenerative status.

The stall prevention (overvoltage) (oL) will only operate during deceleration, stopping the lowering of output frequency, but on the other hand, the regeneration avoidance function will constantly operate (Pr. 882 = "1") or operate only at constant speed (Pr. 882 = "2"), and raise the frequency depending on the amount of regeneration.

When the motor becomes unstable due to operation of the stall prevention (overcurrent) (OL) during the regeneration avoidance operation, increase the deceleration time or lower the setting of Pr. 883.

To detect the regenerative status during deceleration faster (Pr. 884)

Since a rapid change in bus voltage cannot be handled by bus voltage level detection during the regeneration avoidance operation, deceleration is stopped by detecting the change in bus voltage and if it is equal or lower than Pr. 883 "Regeneration avoidance operation level".

Set the detectable bus voltage change rate as the detection sensitivity in Pr. 884 "Regeneration avoidance at deceleration detection sensitivity". A larger set value increases the detection sensitivity.

NOTE

When the setting value is too small (detection sensitivity is not good), detection will not be possible, and regeneration avoidance will operate even with the bus voltage change caused by a change in the input power.

Limit regeneration avoidance operation frequency (Pr. 885)

- It is possible to assign a limit to the output frequency corrected (rise) by the regeneration avoidance operation.
- Limit of the frequency is output frequency (frequency before regeneration avoidance operation) + Pr. 885 "Regeneration avoidance compensation frequency limit value" for during acceleration and constant speed.
During deceleration, when the frequency increases due to the regeneration avoidance operation and exceeds the limit value, the limit value will be retained until the output frequency is reduced to be the half the Pr. 885 setting.
- When the frequency that have increased by the regeneration avoidance operation exceeds Pr. 1 "Maximum frequency", it will be limited to the maximum frequency.
- By setting to Pr. 885 = "9999", regeneration avoidance operation frequency limitation is disabled.
- Set using the motor rated slip frequency as a guideline. Raise the setting value if the overvoltage protection function (E.OV[]) operation at the start of deceleration.

$$\text{Rated motor slip frequency} = \frac{\text{Synchronized speed at the time of base frequency} - \text{rated rotation speed}}{\text{Synchronized speed at the time of base frequency}} \times \text{Rated motor frequency}$$

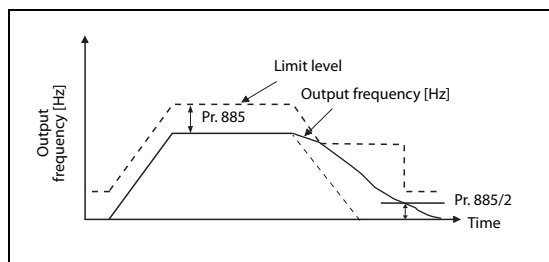


Fig. 5-277:
Limit the output frequency

1001260E

Adjustment of regeneration avoidance operation (Pr. 665, Pr. 886)

- When the frequency becomes unstable at the time of regeneration avoidance operation, set the setting value for Pr. 886 "Regeneration avoidance voltage gain" smaller. On the other hand, if an overvoltage fault occurs due to a sudden regeneration, increase the setting.
- When the vibration cannot be stabilized even if the setting value of Pr. 886 is made smaller, set the setting value of Pr. 665 "Regeneration avoidance frequency gain" smaller.

NOTES

During the regeneration avoidance operation, the stall prevention (overvoltage) (oL) is displayed and the overload alarm (OL) signal is output. The operation when the OL signal is output can be set with Pr. 156 "Stall prevention operation selection". The OL signal output timing can be set with Pr. 157 "OL signal output timer".

The stall prevention is enabled even at the time of regeneration avoidance operation.

The regeneration avoidance function cannot decrease the actual deceleration time for the motor to stop. The actual deceleration time is determined by the regenerative power consumption performance, so to decrease the deceleration time, consider using a regeneration unit (FR-BU2, BU, FR-BU, FR-CV, FR-HC2).

When using regeneration unit (FR-BU2, BU, FR-BU, FR-CV, FR-HC2) to consume the regenerative power, set to Pr. 882 = "0 (initial value)" (disables regeneration avoidance function). When consuming the regenerative power at the time of deceleration with the regeneration unit, etc., set to Pr. 882 = "2" (enables regeneration avoidance function only at the time of constant speed).

Parameters referred to			
Pr. 1	Maximum frequency	=>	page 5-176
Pr. 8	Deceleration time	=>	page 5-102
Pr. 22	Stall prevention operation level	=>	page 5-180

5.13.12 Increased magnetic excitation deceleration

Increase the loss in the motor by increasing the magnetic flux at the time of deceleration. Deceleration time can be reduced by suppressing the stall prevention (overvoltage) (oL).

It will make possible to reduce the deceleration time without a brake resistor.

Pr.	Name	Initial value	Setting range	Description
660 G130	Increased magnetic excitation deceleration operation selection	0	0	Without increased magnetic excitation deceleration
			1	With increased magnetic excitation deceleration
661 G131	Magnetic excitation increase rate	9999	0 to 40%	Set the increase of excitation.
			9999	Magnetic excitation increase rate 10%
662 G132	Increased magnetic excitation current level	100%	0 to 300%	The increased magnetic excitation rate is automatically lowered when the output current exceeds the setting value at the time of increased magnetic excitation deceleration.

Setting of increased magnetic excitation rate (Pr. 660, Pr. 661)

- To enable the increased magnetic excitation deceleration, set Pr. 660 "Increased magnetic excitation deceleration operation selection" = "1".
- Set the amount of excitation increase in Pr. 661 "Magnetic excitation increase rate". Increased magnetic excitation deceleration will be disabled when Pr. 661 = "0".
- When the DC bus voltage exceeds the increased magnetic excitation deceleration operation level during the deceleration, excitation is increased in accordance with the setting value in Pr. 661.
- The increased magnetic excitation deceleration will continue even if the DC bus voltage goes under the increased magnetic excitation deceleration operation level during strengthened excitation deceleration.

Inverter	Increased magnetic excitation deceleration operation level
200 V class	340 V
400 V class	680 V
With 500 V input	740 V

Tab. 5-288: Strengthened excitation deceleration operation level

- When the stall prevention (overvoltage) occurs during the increased magnetic excitation deceleration operation, increase the deceleration time or raise the setting value of Pr. 661. When the stall prevention (overcurrent) occurs, increase the deceleration time or lower the setting value of Pr. 661.
- Increased magnetic excitation deceleration is enabled with V/F control, Advanced magnetic flux vector control.

NOTE

The increased magnetic excitation deceleration will be disabled in the following conditions:
During PM motor control, power failure stop, operation with FR-HC2/FR-CV, energy saving operation, Optimum excitation control.

Overcurrent prevention function (Pr. 662)

- The overcurrent prevention function is valid under V/F control and Advanced magnetic flux vector control.
- Increased magnetic excitation rate is lowered automatically when the output current exceeds Pr. 662 at the time of increased magnetic excitation deceleration.
- When the inverter protective function (E.OC□, E.THT) operates due to increased magnetic excitation deceleration, adjust with Pr. 662.
- Overcurrent preventive function will be disabled when Pr. 662= "0".

NOTE

When set to Pr. 662 > Pr. 22 "Stall prevention operation level", overcurrent preventive function will operate at the setting value of Pr. 22. (Operates at Pr. 622 when Pr. 22 = "0")

Parameters referred to			
Pr. 22	Stall prevention operation level	=>	page 5-180
Pr. 30	Regenerative function selection	=>	page 5-552
Pr. 60	Energy saving control selection	=>	page 5-541
Pr. 162	Automatic restart after instantaneous power failure selection	=>	page 5-415, page 5-423
Pr. 261	Power failure stop selection	=>	page 5-432

5.13.13 Slip compensation

Slip of the motor is estimated from the inverter output current at the time of V/F control, and maintain the rotation of the motor constant.

Pr.	Name	Initial value	Setting range	Description
245 G203	Rated slip	9999	0.01 to 50%	Set the rated motor slip.
			0, 9999	Without slip compensation
246 G204	Slip compensation time constant	0.5s	0.01 to 10s	Set the response time of the slip compensation. Response will become faster when the value is lowered, but the regenerative overvoltage (E.OV[]) error will occur more frequently when the load inertia is larger.
247 G205	Constant-power range slip compensation selection	9999	0	Do not perform slip compensation at constant output range (frequency range higher than the frequency set in Pr. 3).
			9999	Perform the slip compensation of the constant output range.

- Slip compensation will become enabled by calculating the rated motor slip, and setting to Pr. 245. Slip compensation is not performed when Pr. 245 = "0, 9999".

$$\text{Rated slip} = \frac{\text{Synchronized speed at the time of base frequency} - \text{rated rotation speed}}{\text{Synchronized speed at the time of base frequency}} \times 100[\%]$$

NOTES

When the slip compensation is performed, the output frequency may become larger than the set frequency. Set Pr. 1 "Maximum frequency" higher than the set frequency.

Slip compensation will be disabled in following cases.
At the times of stall preventive (oL, OL) operation, regeneration avoidance operation, auto tuning.

Parameters referred to			
Pr. 1	Maximum frequency	=>	page 5-176
Pr. 3	Base frequency	=>	page 5-537

5.13.14 Speed smoothing control 

There are times where the vibration due to mechanical resonance affect the inverter, making the output current (torque) unstable. In such case, vibration can be decreased by reducing the deviation in the output current (torque) by changing the output frequency.

Pr.	Name	Initial value	Setting range	Description
653 G410	Speed smoothing control	0%	0 to 200%	Confirm the effect by raising and lowering the value with 100% as a reference.
654 G411	Speed smoothing cutoff frequency	20 Hz	0 to 120 Hz	Set the lower limit of the torque deviation cycle (frequency).

Control block diagram

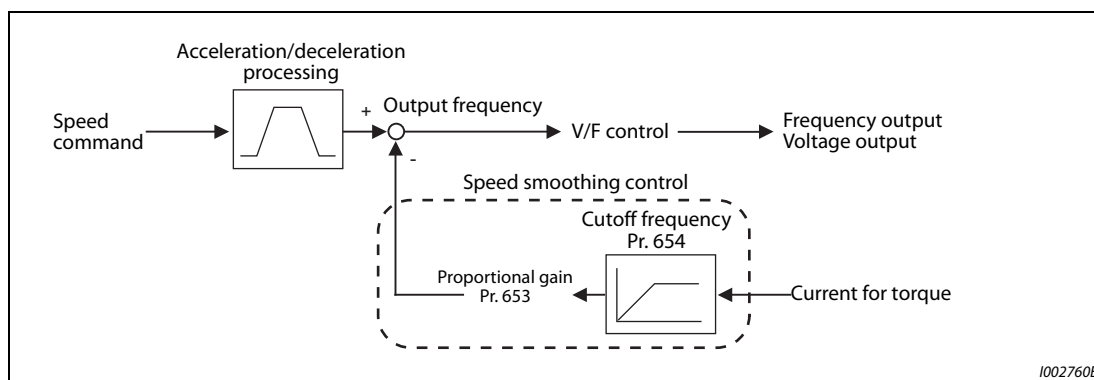


Fig. 5-278: Control block diagram

Setting method

- When vibration caused by mechanical resonance occurs, set Pr. 653 "Speed smoothing control" to 100%, and operate at the operation frequency with largest vibration, and confirm if the vibration is suppressed after few seconds.
- If there is no effect, gradually raise the setting value of Pr. 653, perform the operation and confirmation of the effect repeatedly, and use the value (Pr. 653) with most effect as the final setting value.
- If the vibration gets larger by raising Pr. 653, lower the value of Pr. 653 under 100%, and perform the confirmation of result in a same manner.
- When the vibration frequency (frequency of torque deviation, speed deviation, or converter output voltage deviation) by the mechanical resonance with a measurement device, etc., set the frequency of 1/2 to 1 times the vibration frequency in Pr. 654 "Speed smoothing cutoff frequency". (Setting vibrational frequency range can suppress the vibration better.)

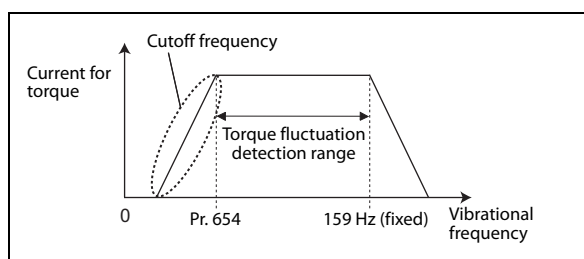


Fig. 5-279: Setting method

NOTE

Depending on the equipment, the vibration may not be suppressed sufficiently or the effect is not obtained.










5.14 Parameter clear / all parameter clear

NOTES

Set "1" to Pr.CLR "Parameter clear", ALL.CL "All parameter clear" to initialize all parameters. (Parameters cannot be cleared when Pr. 77 "Parameter write selection" = "1".)

Pr.CL does not clear calibration parameters or the terminal function selection parameters.

Refer to the parameter list on page A-5 for parameters cleared with this operation.

Operation	
①	Screen at power-ON The monitor display appears.
②	Changing the operation mode Press  to choose the PU operation mode. [PU] indicator is lit.
③	Parameter setting mode Press  to choose the parameter setting mode. (The parameter number read previously appears.)
④	Selecting the parameter number To perform a parameter clear, turn  to "Pr.CLR", and to perform all parameter clear, turn it to "ALLCL" and press  . "0" (initial value) appears.
⑤	Parameter clear Turn  to change the set value to "1". Press  to enter the setting. "1" and "Pr.CLR" ("ALLCL") flicker alternately after parameters are cleared. <ul style="list-style-type: none"> • Turn  to read another parameter. • Press  to show the setting again. • Press  twice to show the next parameter.

Tab. 5-289: Parameter clear

Setting	Description	
	Pr.CLR Parameter clear	ALL.CL All parameter clear
0	Parameters are not cleared.	
1	Returns parameters excluding calibration parameters and terminal function selection parameters to their initial values.	Returns all parameters which can be cleared including calibration parameters and terminal function selection parameters to their initial values.

Tab. 5-290: Parameter clear and all parameter clear

NOTES

"1" and "Er4" are displayed alternately... Why?

The inverter is not in the PU operation mode.

① Press PU/EXT key.

 ▶ PU is lit, and "1" appears on the monitor. (When Pr. 79 = "0" (initial value))

② Press SET key to clear the parameter.

Stop the inverter first. A writing error occurs if a parameter clear is attempted while the inverter is running.

To perform a parameter clear, the inverter must be in the PU operation mode even if "2" is set to Pr. 77.

For availability of parameter clear and all parameter clear for each parameter, refer to the parameter list on page A-5.

5.15 Copying and verifying parameters on the operation panel

Pr.CPY setting value	Description
0.---	Initial display
1.RD	Copy the source parameters to the operation panel.
2.WR	Write the parameters copied to the operation panel to the destination inverter.
3.VFY	Verify parameters in the inverter and operation panel. (Refer to page 5-572.)

Tab. 5-291: Setting of parameter Pr.CPY

NOTES

When the destination inverter is other than the FR-F800 series or when parameter copy is attempted after the parameter copy reading was stopped, "model error (r-E4)" appears.

Refer to the parameter list on page A-5 for the availability of parameter copy.

When the power is turned OFF or an operation panel is disconnected, etc. during parameter copy writing, write again or check the setting values by parameter verification.

When parameters are copied from a different-capacity inverter, there are parameters with different initial values depending on the inverter capacity, so the setting values of some parameters will be automatically changed. After performing a parameter copy from a different-capacity inverter, check all the parameter settings. (Refer to the parameter list (page 5-2) for details of parameters with different initial values depending on individual inverter capacity.)






During password lock, parameter copy and parameter verification cannot be performed. (Refer to page 5-76.)

If parameters are copied from an older inverter to a newer inverter that has additional parameters, out-of-range setting values may be written in some parameters. In that case, those parameters operate as if they were set to their initial values.

5.15.1 Parameter copy

Inverter parameter settings can be copied to other inverters.

Reading the parameter settings of the inverter to the operation panel

Operation	
①	Connect the operation panel to the source inverter.
②	Parameter setting mode Press  to choose the parameter setting mode. (The parameter number read previously appears.)
③	Selecting the parameter number Turn  to "P-R-C-P-Y" (parameter copy), and press  . "0. -- --" appears.
④	Reading to operation panel Turn  to change the set value to "IRd". Press  to start reading of the inverter parameter settings by the operation panel. (It takes about 30 seconds to read all the settings. During reading, "IRd" flickers.)
⑤	End reading "IRd" and "P-R-C-P-Y" flicker alternately after settings are read.







Tab. 5-292: Reading the parameter settings of the inverter to the operation panel

NOTE

"r-E l" appears... Why?

Parameter read error. Perform the operation from step ③ again.

Copying parameter settings read to the operation panel to the inverter

Operation	
①	Connect the operation panel to the destination inverter.
②	Parameter setting mode Press  to choose the parameter setting mode. (The parameter number read previously appears.)
③	Selecting the parameter number Turn  to "P-R-C-P-Y" (parameter copy), and press  . "0. -- --" appears.
④	Selecting parameter copy Turn  to change the setting value to "2NR" and press  . "2. ALL" appears.
⑤	Copying to the inverter Press  to start copying to the inverter. (It takes about 60 seconds to copy all the settings. During copying, the selected parameter group flickers.) Perform this step while the inverter is stopped. (Parameter settings cannot be copied during operation.)
⑥	Ending copying "2NR" and "P-R-C-P-Y" flicker alternately after copying ends.
⑦	When parameters are written to the destination inverter, reset the inverter before operation by, for example, turning the power supply OFF.

Tab. 5-293: Copying parameter settings read to the operation panel to the inverter

NOTES





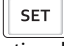

- "r-E2" appears... Why?
Parameter write error. Perform the operation from step ③ again.
- "CP" and "000" are displayed alternately.
Appears when parameter copy is performed between inverters FR-F820-02330(55K) or lower or inverters FR-F840-01160(55K) or lower and inverters FR-F820-03160(75K) or higher or FR-F840-01800(75K) or higher.
 - ① When CP and 0.00 flicker alternately, set the Pr. 989 "Parameter copy alarm release" as shown below (initial value):

Pr. 989 setting	Operation
10	Cancels the alarm of FR-F820-02330(55K) or lower and FR-F840-01160(55K) or lower.
100	Cancels the alarm of FR-F820-03160(75K) or higher and FR-F840-01800(75K) or higher.

 - ② After setting Pr. 989, perform setting of Pr. 9, Pr. 30, Pr. 51, Pr. 56, Pr. 57, Pr. 72, Pr. 80, Pr. 82, Pr. 90 to Pr. 94, Pr. 453, Pr. 455, Pr. 458 to Pr. 462, Pr. 557, Pr. 859, Pr. 860, and Pr. 893 again.

5.15.2 Parameter verification

Whether the parameter settings of inverters are the same or not can be checked.

Operation	
①	Copy the parameter settings of the verification source inverter to operation panel according to the procedure on page 5-571.
②	Move the operation panel to the inverter to be verified.
③	Screen at power-ON The monitor display appears.
④	Parameter setting mode Press  to choose the parameter setting mode. (The parameter number read previously appears.)
⑤	Selecting the parameter number Turn  to "Pr-CP4" (parameter copy). Press  . "0. -- --" appears.
⑥	Parameter verification Turn  to change to setting value "3/F4" (parameter copy verification mode). Press  . Verification of the parameter settings copied to the operation panel and the parameter settings of the verification destination inverter is started. (It takes about 60 seconds to verify all the settings. During verification, "3/F4" flickers.) <ul style="list-style-type: none"> • If there are different parameters, the different parameter number and "r-E3" flicker. • To continue verification, press .
⑦	"Pr-CP4" and "3/F4" flicker alternately after verification ends.

Tab. 5-294: Parameter verification

NOTE

- "r-E3" flickers... Why?
The set frequency may be incorrect. To continue verification, press SET key.

5.16 Copying and verifying parameters using USB memory

- Inverter parameter settings can be copied to USB memory.
- Parameter setting data copied to USB memory can be copied to other inverters or verified to see if they differ from the parameter settings of other inverters.
- Parameter settings can also be imported to a personal computer and edited in FR Configurator2.

Changes in USB memory copy operation states

Insert the USB memory in the inverter. The USB memory mode is displayed and USB memory operations are possible.

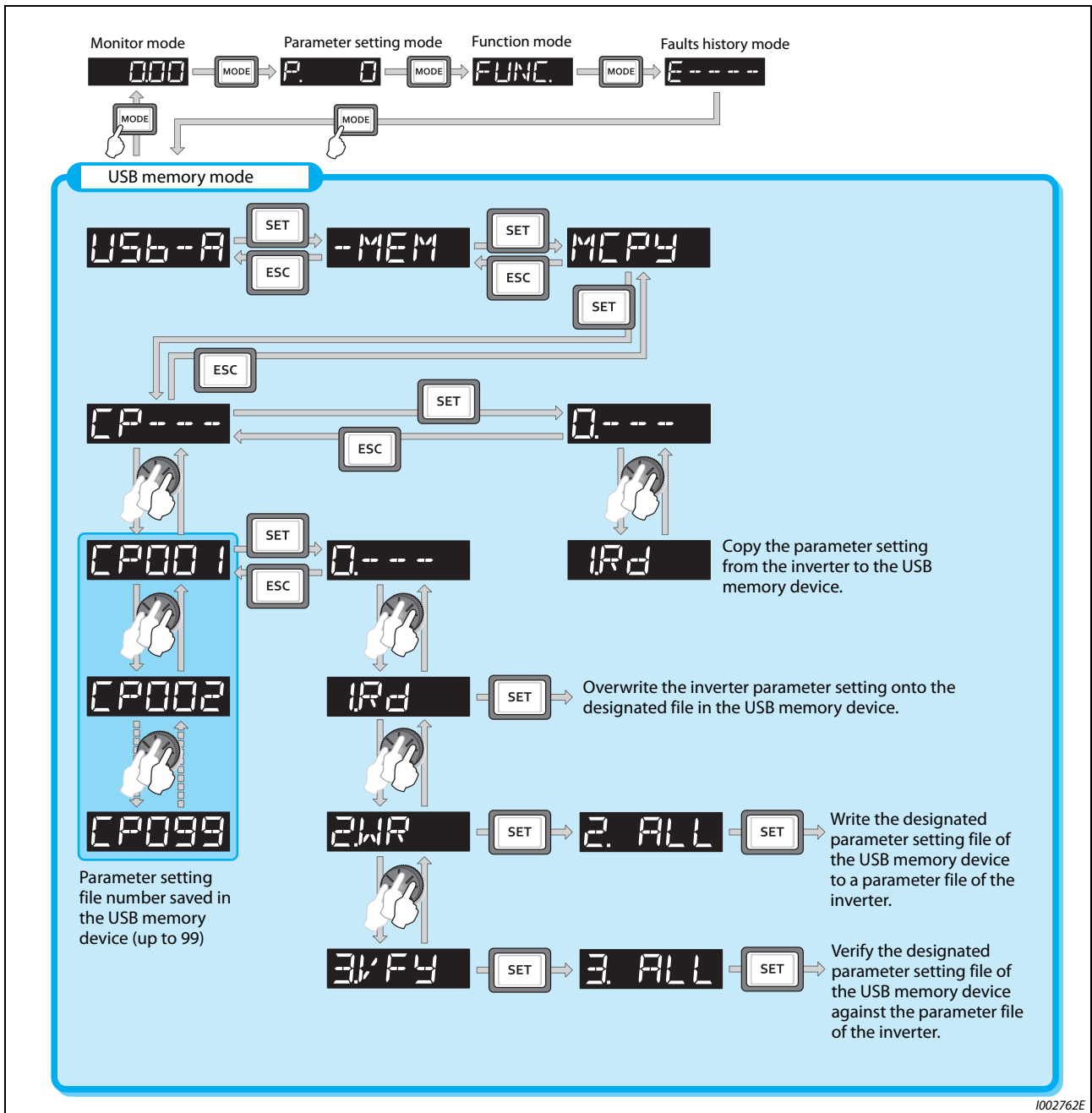


Fig. 5-280: Changes in USB memory copy operation states

NOTES



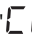






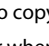

When parameter settings are copied to USB memory without specifying a parameter setting file number in USB memory, numbers are automatically assigned.

Up to 99 files can be saved on USB memory. When the USB memory device already has 99 files, attempting copying of another file to the USB memory device causes the file quantity error (rE7).

Refer to the FR Configurator2 instruction manual for details on importing files to FR Configurator2.



During password lock, parameter copy and parameter verification cannot be performed. (Refer to page 5-76.)

Procedure for copying parameters to USB memory

Operation	
①	Insert the USB memory into the copy source inverter.
②	<p>USB memory mode</p> <p>Press  to change to the USB memory mode.</p>
③	<p>Displaying the file selection screen</p> <p>Press  three times to display " -- -- --" (file selection screen) and press . (To overwrite files on USB memory, display the file selection screen, turn  to select the file number, and press .)</p>
④	<p>Copying to USB memory</p> <p>Turn  to change to "". Press  to copy the parameter settings at the copy source to USB memory. (It takes about 15 seconds to copy all the settings. During copying, "" flickers.)</p> <p>"" and "file number when the parameter file was copied to USB memory" flicker after copying ends.</p>

Tab. 5-295: Copying parameters to USB memory

Procedure for copying parameters from USB memory to inverter

Operation	
①	Insert the USB memory into the destination inverter.
②	USB memory mode Press MODE to change to the USB memory mode.
③	Displaying the file selection screen Press SET three times to display "CP -- --" (file selection screen).
④	Selecting the file number Turn  to select the file number to copy to the inverter, and press SET .
⑤	Turn  to display "2WR" and press SET . "2. ALL" appears.
⑥	Writing to the inverter Press SET to write the parameters copied to the USB memory to the destination inverter. (It takes about 15 seconds to copy all the settings. During copying, "2. ALL" flickers.) "2. ALL" and "copied file number" flicker after copying ends. Perform this step while the inverter is stopped.
⑦	When parameters are written to the destination inverter, reset the inverter before operation by, for example, turning the power supply OFF.

Tab. 5-296: Copying parameters from USB memory

NOTES

- "r-E 1" or "r-E 2" appears... Why?
A fault occurred on USB memory. Check the USB memory connection, then retry.
- "CP" and "000" are displayed alternately.
Appears when parameter copy is performed between inverters FR-F820-02330(55K) or lower or inverters FR-F840-01160(55K) or lower and inverters FR-F820-03160(75K) or higher or FR-F840-01800(75K) or higher.
 - ① When CP and 0.00 flicker alternately, set the Pr. 989 "Parameter copy alarm release" as shown below (initial value):

Pr. 989 setting	Operation
10	Cancels the alarm of FR-F820-02330(55K) or lower and FR-F840-01160(55K) or lower.
100	Cancels the alarm of FR-F820-03160(75K) or higher and FR-F840-01800(75K) or higher.

- ② After setting Pr. 989, perform setting of Pr. 9, Pr. 30, Pr. 51, Pr. 56, Pr. 57, Pr. 72, Pr. 80, Pr. 82, Pr. 90 to Pr. 94, Pr. 453, Pr. 455, Pr. 458 to Pr. 462, Pr. 557, Pr. 859, Pr. 860, and Pr. 893 again.



When the destination inverter is other than the FR-F800 series or when parameter copy is attempted after the parameter copy reading was stopped, "model error (r-E 4)" appears.

Refer to the parameter list on page A-5 for the availability of parameter copy.

When the power is turned OFF or an operation panel is disconnected, etc. during parameter copy writing, write again or check the setting values by parameter verification.

When parameters are copied from a different-capacity inverter, there are parameters with different initial values depending on the inverter capacity, so the setting values of some parameters will be automatically changed. After performing a parameter copy from a different-capacity inverter, check all the parameter settings. (Refer to the parameter list (page 5-2) for details of parameters with different initial values depending on individual inverter capacity.)

Procedure for verifying parameters in USB memory

Operation	
①	Copy the parameter settings of the verification source inverter to USB memory according to the procedure on page 5-574.
②	Move the USB memory to the inverter to be verified.
③	Screen at power-ON The monitor display appears.
④	USB memory mode Press MODE to change to the USB memory mode.
⑤	Displaying the file selection screen Press SET three times to display "CP -- --" (file selection screen).
⑥	Selecting the file number Turn  to select the file number to be verified, and press SET .
⑦	Parameter verification Turn  to display the setting "3/F4" (parameter copy verification mode) and press SET . "3. ALL" appears. Press SET . Verification of the parameter settings copied to the USB memory and the parameter settings of the verification destination inverter is started. (It takes about 15 seconds to verify all the settings. During verification, "3. ALL" flickers.) If there are different parameters, the different parameter number and "r-E3" flicker. To continue verification, press SET .
⑧	"Verified file number" and "3. ALL" flicker after verification ends.

Tab. 5-297: Verifying parameters in USB memory







NOTE

"r-E3" flickers... Why?

The set frequency may be incorrect. To continue verification, press the SET key.

5.17 Checking parameters changed from their initial values (Initial value change list)

Parameters changed from their initial values can be displayed.

Operation	
①	Screen at power-ON The monitor display appears.
②	Parameter setting mode Press  to choose the parameter setting mode. (The parameter number read previously appears.)
③	Selecting the parameter number Turn  to "Pr-CHG" (Initial value change list) and press  . "Pr. -- -- --" appears.
④	Checking the initial value change list Turn  . The parameter numbers that have been changed from their initial value appear in order. If  is pressed with parameters that have been changed, the parameter settings can be changed as they are. (Parameter numbers are no longer displayed in the list when they are returned to their initial values.) Other changed parameters appear by turning  . "Pr. -- -- --" is returned to when the last changed parameter is displayed.

Tab. 5-298: Initial value change list

NOTES

- | The calibration parameters (C0 (Pr. 900) to C7 (Pr. 905), C42 (Pr. 934) to C45 (Pr. 935)) are not displayed even when these are changed from the initial settings.
- | Only the simple mode parameters are displayed when the simple mode is set (Pr. 160 = "9999").
- | Only user groups are displayed when user groups are set (Pr. 160 = "1").
- | Pr. 160 is displayed independently of whether the setting value is changed or not.
- | Parameter setting using the initial value change list is also possible.

5.18 Ethernet communication (FR-F800-E)

5.18.1 SLMP

SLMP is a common protocol for seamless communication between applications. Users do not have to be concerned with network layers or boundaries. SLMP communications are available among devices that can transfer messages by SLMP (programmable controllers, personal computers, HMIs and others). For the details of the SLMP compatibility of external devices, refer to the Instruction Manual of external devices.

Initial setting

- SLMP can be used when the PLC function is enabled. Set a value other than "0" in Pr. 414 "PLC function operation selection".
- To select SLMP for the application, set any value from "5010 to 5013" in any of Pr. 1427 to Pr. 1429 (Ethernet function selection 1 to 3). For how to set the application value, refer to the Instruction Manual of the device connected via Ethernet. (Refer to page 5-524.)
- Enter the Ethernet communication network number in Pr. 1424 and the Ethernet communication station number in Pr. 1425. (Refer to page 5-530.)

NOTE

The FR-F800-E inverter supports binary codes only. (ASCII codes are not supported.)

Communication procedure

- Using TCP/IP

The following is the communication procedure when executing SLMP communication with TCP/IP. With TCP/IP, connections are established when communication is executed, and whether data is received normally or not is checked to ensure reliability of data. However, the line load is high as compared to UDP/IP.

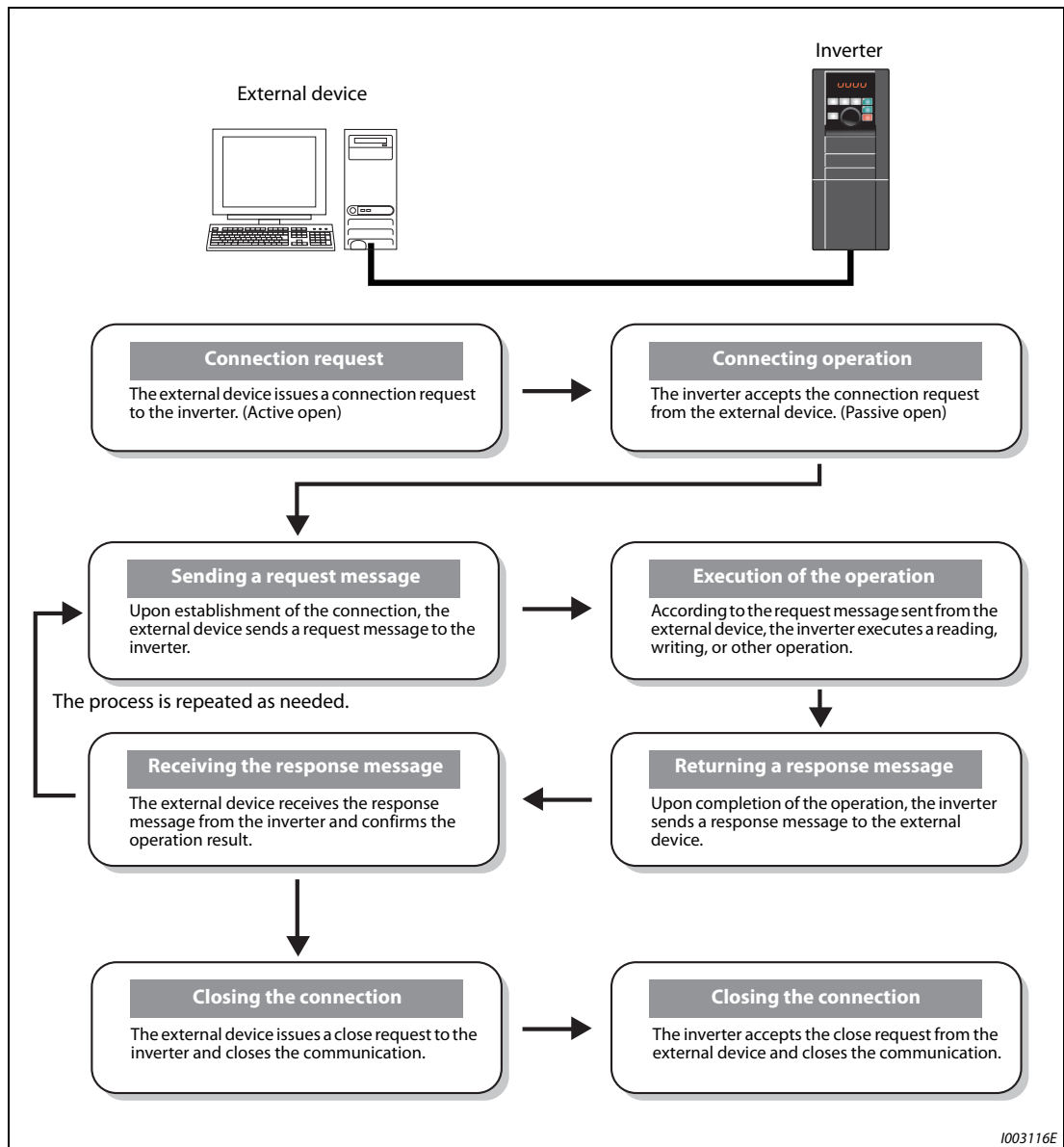


Fig. 5-281: Communication procedure when executing SLMP communication with TCP/IP

● Using UDP/IP

The following is the communication procedure when executing SLMP communication with UDP/IP. With UDP/IP, connections are not established when communication is executed, and whether data is received normally or not is not checked. Therefore, the line load is low. However, data is less reliable as compared to TCP/IP.

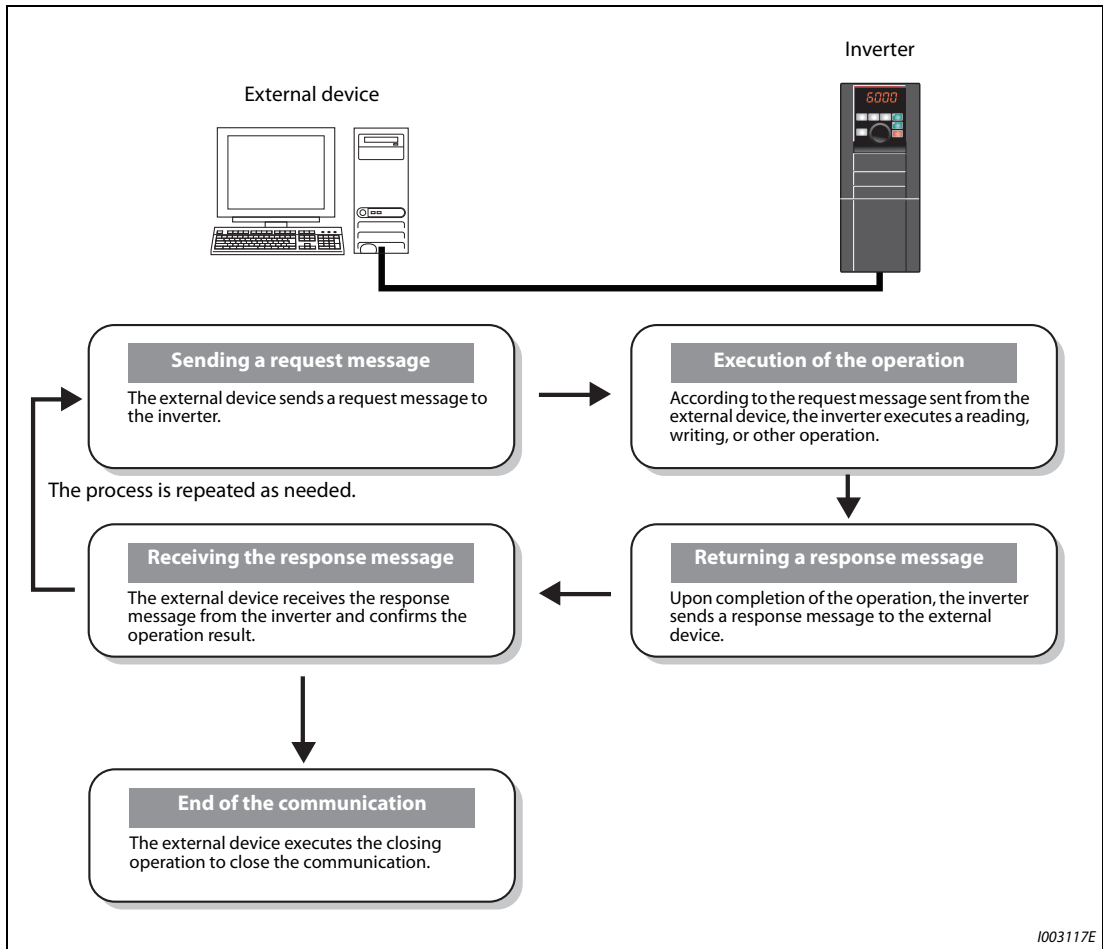


Fig. 5-282: Communication procedure when executing SLMP communication with UDP/IP

Message format

● Request message format

The following is the format of a request message sent from the external device to the inverter. The request message data length is 2047 bytes at the maximum.

Header	Subheader	Destination network No.	Destination station No.	Destination unit I/O No.	Destination multidrop station No.	Request data length	Monitoring timer	Request data	Footer
--------	-----------	-------------------------	-------------------------	--------------------------	-----------------------------------	---------------------	------------------	--------------	--------

● Response message format

The following is the format of a response message sent from the inverter to the external device. The response message data length is 2048 bytes at the maximum.

– Normal completion

Header	Subheader	Destination network No.	Destination station No.	Destination unit I/O No.	Destination multidrop station No.	Response data length	End code	Request data	Footer
--------	-----------	-------------------------	-------------------------	--------------------------	-----------------------------------	----------------------	----------	--------------	--------

– Failed completion

Header	Subheader	Destination network No.	Destination station No.	Destination unit I/O No.	Destination multidrop station No.	Response data length	End code	... (to be continued next row)	
		... (continued)	Network No. (responding station)	Station No. (responding station)	Destination unit I/O No.	Destination multidrop station No.	Command	Subcommand	Footer
<-----Error information----->									

Item	Size	Endian	Description
Header	—	—	Header for TCP/IP or UDP/IP. The header is added by the external device before transmission.
Subheader (QnA-compatible 3E frame)	2 bytes	Big	Request: H5000 Response: HD000
Subheader (QnA-compatible 4E frame)	6 bytes		Request: H5400 + Serial No. ① + H0000 Response: HD400 + Serial No. ① + H0000
Destination network No.	1 byte	—	Specify the network No. of the access destination. Use a hexadecimal value to specify the network number. Own station: H00 Other stations: H01 to HEF (1 to 239)
Destination station No.	1 byte	—	Specify the station No. of the access destination. Use a hexadecimal value to specify the station number. Own station: HFF (when the network No. is H00) Other stations: H01 to H78 (1 to 120)
Destination unit I/O No.	2 bytes	Little	Fixed to H03FF
Destination multidrop station No.	1 byte	—	Fixed to H00
Request data length	2 bytes	Little	Specify the data length from the monitoring timer to the request data in hexadecimal. Example: 24 bytes: H1800

Tab. 5-299: Description of request and response message items (1)

Item	Size	Endian	Description																	
Monitoring timer	2 bytes	Little	<p>Set the waiting time until the inverter completes reading/writing after receiving a request message from the external device. When the inverter does not return the response message within the waiting time, the response message will be discarded.</p> <ul style="list-style-type: none"> • H0000: Unlimited (until the execution is completed) • H0001 to HFFFF (1 to 65535): Waiting time (Unit: 0.25 s) <p>Recommended settings:</p> <table border="1"> <thead> <tr> <th>Access destination</th> <th colspan="2">Recommended setting</th> </tr> </thead> <tbody> <tr> <td rowspan="3">Own station</td> <td>Monitoring, operation command, frequency setting (RAM)</td> <td>H1 to H40 (0.25 to 10 s)</td> </tr> <tr> <td>Parameter read/write, frequency setting (EEPROM)</td> <td>H1 to H40 (0.25 to 10 s)</td> </tr> <tr> <td>Parameter clear / all clear</td> <td>H15 to H40 (5.25 to 10 s)</td> </tr> <tr> <td rowspan="3">Other station</td> <td>Monitoring, operation command, frequency setting (RAM)</td> <td>H2 to H40 (0.5 to 60 s)</td> </tr> <tr> <td>Parameter read/write, frequency setting (EEPROM)</td> <td>H2 to H40 (0.5 to 60 s)</td> </tr> <tr> <td>Parameter clear / all clear</td> <td>H15 to H40 (5.25 to 60 s)</td> </tr> </tbody> </table>	Access destination	Recommended setting		Own station	Monitoring, operation command, frequency setting (RAM)	H1 to H40 (0.25 to 10 s)	Parameter read/write, frequency setting (EEPROM)	H1 to H40 (0.25 to 10 s)	Parameter clear / all clear	H15 to H40 (5.25 to 10 s)	Other station	Monitoring, operation command, frequency setting (RAM)	H2 to H40 (0.5 to 60 s)	Parameter read/write, frequency setting (EEPROM)	H2 to H40 (0.5 to 60 s)	Parameter clear / all clear	H15 to H40 (5.25 to 60 s)
Access destination	Recommended setting																			
Own station	Monitoring, operation command, frequency setting (RAM)	H1 to H40 (0.25 to 10 s)																		
	Parameter read/write, frequency setting (EEPROM)	H1 to H40 (0.25 to 10 s)																		
	Parameter clear / all clear	H15 to H40 (5.25 to 10 s)																		
Other station	Monitoring, operation command, frequency setting (RAM)	H2 to H40 (0.5 to 60 s)																		
	Parameter read/write, frequency setting (EEPROM)	H2 to H40 (0.5 to 60 s)																		
	Parameter clear / all clear	H15 to H40 (5.25 to 60 s)																		
Request data	Variable	Little	Specify the command, subcommand, and data that indicate the requested operation. (Refer to page 5-583.)																	
Response data length	2 bytes	Little	The data length from the end code to the response data (when completed) or error information (when failed) is stored in hexadecimal. (Unit: byte)																	
End code	2 bytes	Little	The command processing result is stored. The value "0" is stored for normal completion. The error code of the access destination (refer to page 5-592) is stored for failed completion.																	
Response data	Variable	Little	When the command is completed normally, data such as the read data corresponding to the command is stored.																	
Error information	9 bytes	—	The network No. (responding station) (1 byte), station No. (responding station) (1 byte), destination unit I/O No. (2 bytes), and destination multidrop station No. (1 byte) of the stations which respond errors are stored for failed completion. Numbers different from those in the request message may be stored because the information on the station with error response is stored. The command (2 bytes) and the subcommand (2 bytes) being issued when an error occurred are also stored.																	
Footer	—	—	The footer is used for the TCP/IP and UDP/IP protocols. The footer is added by the external device before transmission.																	

Tab. 5-299: Description of request and response message items (2)

- ① The serial No. is given by the external device for message recognition. If a request message with a serial No. is sent, the same serial No. will also be added on the response message. The serial No. is used when multiple request messages are sent from an external device to the same inverter.

Commands

The following table lists the commands and subcommands. (When the inverter receives a command other than listed in the following table, it returns an error code (HC059).)

Category	Operation	Command	Sub-command	Description	Refer to page	
Device memory	Batch read	In bit units	H0401	H0001	The inverter reads the value in bit devices (with consecutive device numbers) in 1-bit units.	5-587
		In word units	H0401	H0001	The inverter reads the value in bit devices (with consecutive device numbers) in 16-bit units.	
				H0000	The inverter reads the value in word devices (with consecutive device numbers) in 1-word units.	
	Batch write	In bit units	H1401	H0001	The inverter writes the value to bit devices (with consecutive device numbers) in 1-bit units.	5-588
		In word units	H1401	H0001	The inverter writes the value to bit devices (with consecutive device numbers) in 16-bit units.	
				H0000	The inverter writes the value to word devices (with consecutive device numbers) in 1-word units.	
	Read random	In word units	H0403	H0001	The inverter reads the value in the devices with the specified numbers. The devices with non-consecutive numbers can be specified. The value is read from the bit devices in 16-bit or 32-bit units.	5-588
				H0000	The inverter reads the value in the devices with the specified numbers. The devices with non-consecutive numbers can be specified. The value is read from the word devices in 1-word or 2-word units.	
	Write random	In bit units	H1402	H0001	The inverter writes the value to the bit devices with the specified device numbers (each bit has a device number). The devices with non-consecutive numbers can be specified.	5-590
		In word units	H1402	H0001	The inverter writes the value to the bit devices with the specified device numbers (each set of 16 bits has a device number). The devices with non-consecutive numbers can be specified.	
H0000				The inverter writes the value to the word devices with the specified device numbers (each word or each set of two words has a device number). The devices with non-consecutive numbers can be specified.		
Programmable controller CPU	Remote run		H1001	H0000	The external device executes the remote RUN to the inverter.	5-591
	Remote stop		H1002	H0000	The external device executes the remote STOP to the inverter.	5-591
	CPU (inverter) model name read		H0101	H0000	The external device reads the model name and model code of the inverter.	5-591

Tab. 5-300: Commands and subcommands

Device

The following table lists the device codes and the range available for each command.

Device	Type	Device code	Range ^①
Special relay (SM)	Bit	H91	Refer to the FR-A800/FR-F800 PLC Function Programming Manual.
Special register (SD)	Word	HA9	
Input (X)	Bit	H9C	H0 to H7F (hexadecimal)
Output (Y)	Bit	H9D	H0 to H7F (hexadecimal)
Internal relay (M)	Bit	H90	0 to 127 (decimal)
Data register (D)	Word	HA8	0 to 255 (decimal)
Timer (T)	Contact (TS)	Bit	HC1
	Coil (TC)	Bit	HC0
	Current value (TN)	Word	HC2
Retentive timer (ST)	Contact (STS)	Bit	HC7
	Coil (STC)	Bit	HC6
	Current value (STN)	Word	HC8
Counter (C)	Contact (CS)	Bit	HC4
	Coil (CC)	Bit	HC3
	Current value (CN)	Word	HC5

Tab. 5-301: List of devices and device codes

^① If write/read is requested from/to any devices outside the range, the error code H4031 is returned. (Refer to page 5-592.)

Data specified in the command

● Device code

A one byte numerical value is sent.

● Device No. (first device No.) specification

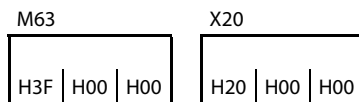
The device No. is specified for reading/writing data.

When consecutive devices are specified, the first device No. is specified. The device No. is specified in decimal or hexadecimal depending on the device type.

A three byte numerical value is sent from the lower byte to the upper byte. If the device No. is a decimal value, convert it to a hexadecimal value.

Example ▾

Device No. of Internal relay M63 / Input X20



Internal relay M63 has a decimal device No.

Convert the decimal value to a hexadecimal value H00003F. The value is sent in the order 3F, 00, and 00. The device No. of Input X20 is regarded as H000020 and sent in the order 20, 00, and 00.



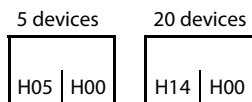
● Specification of the number of devices

The number of devices is specified for reading/writing data.

A two byte numerical value is sent from the lower byte to the upper byte.

Example ▾

Number of devices: 5 / 20

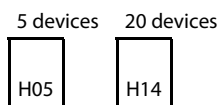


● Specification of the number of devices for bit access

The number of devices is specified for reading/writing data in bit units. The number is used in the Write random command (refer to page 5-590).

Example ▾

Number of devices: 5 / 20



● Read data / write data

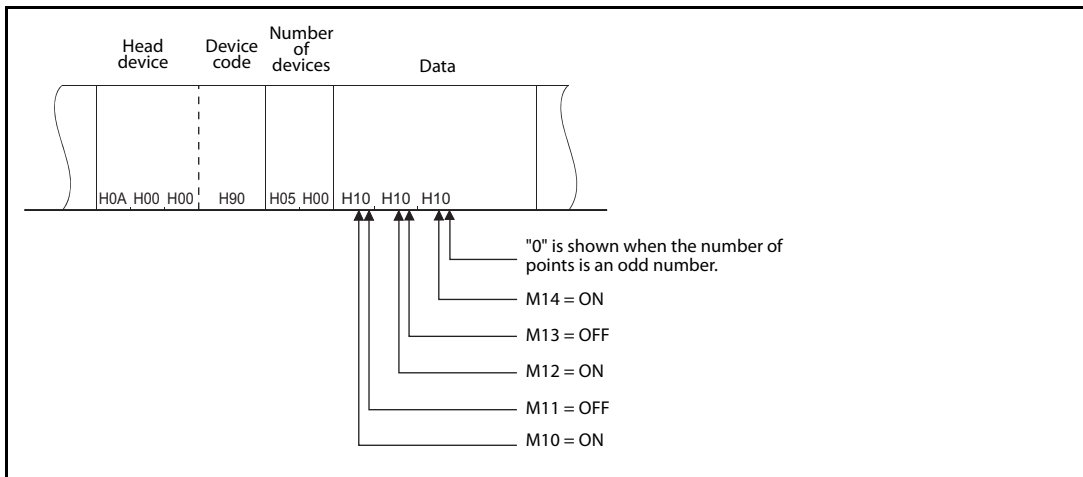
The value read from the device is stored for reading. The value to be written to the device is stored for writing.

The data is arranged differently between reading/writing in bit units (subcommand: H0001) and reading/writing in word units (subcommand: H0000).

- In bit units (subcommand: H0001)
 - Each device is specified in 4 bits. The data is sent from the upper bit for the device with the first device No. and the subsequent devices in order. The ON state is denoted as 1 and the OFF state is denoted as 0.

Example ▾

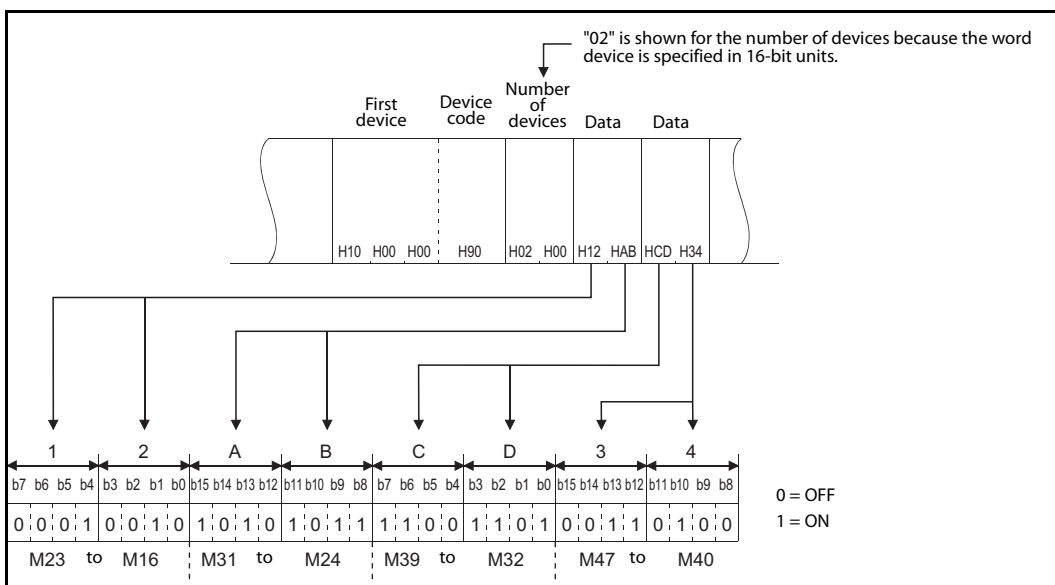
ON/OFF state of five devices starting from M10



- In word units (subcommand: H0000)
 - When bit devices are used as word data, each device is specified in one bit. The data is stored from the lower byte (bit 0 to bit 7) to the upper byte (bit 8 to bit 15).

Example ▾

ON/OFF state of 32 devices starting from M16



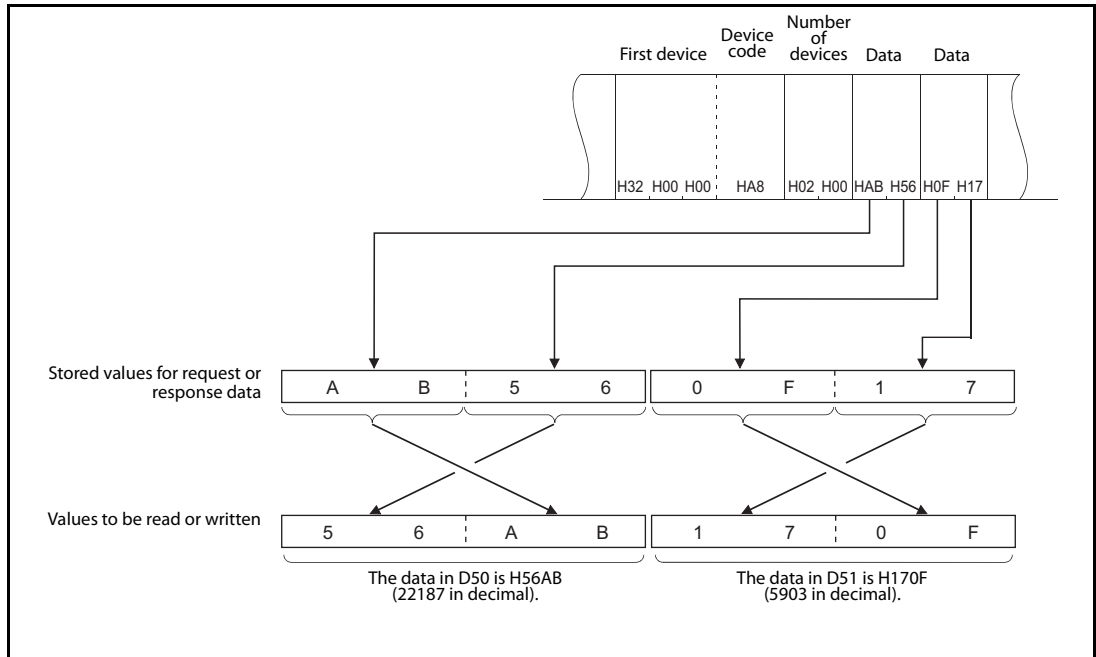
When word devices are used, one word is specified in 16 bits as follows. The data is stored from the lower byte (bit 0 to bit 7) to the upper byte (bit 8 to bit 15).

The user should switch the values in the upper and lower bytes in the response data for reading.

The user should switch the write values in the upper and lower bytes to store them in the request data for writing.

Example ▾

Data stored in D50 / D51



Details of commands

● Batch read

The inverter reads the value in the specified devices.

– Request data

	Sub command	First device No.	Device code	No. of devices
H01 H04				

Item	Description
Subcommand	Specify the unit (bit/word) for reading.
First device No.	Specify the number of the first device. (Refer to page 5-585.)
Device code	Specify the type of the target devices. (Refer to page 5-584.)
Number of devices	Specify the number of target devices.

Tab. 5-302: Request data description for batch read

– Response data

The value read from the device is stored in hexadecimal.

● Batch write

The inverter writes the value to the specified devices.

- Request data

H01	H14	Sub command	First device No.	Device code	No. of devices	Write data
-----	-----	-------------	------------------	-------------	----------------	------------

Item	Description
Subcommand	Specify the unit (bit/word) for writing.
First device No.	Specify the number of the first device. (Refer to page 5-585)
Device code	Specify the type of the target devices. (Refer to page 5-584.)
Number of devices	Specify the number of target devices.
Writing data	Specify the value to be written to all the devices specified by the Number of devices in the request data.

Tab. 5-303: Request data description for batch write

- Response data
None

● Read random

The inverter reads the value in the devices with the specified numbers. The devices with non-consecutive numbers can be specified.

- Request data

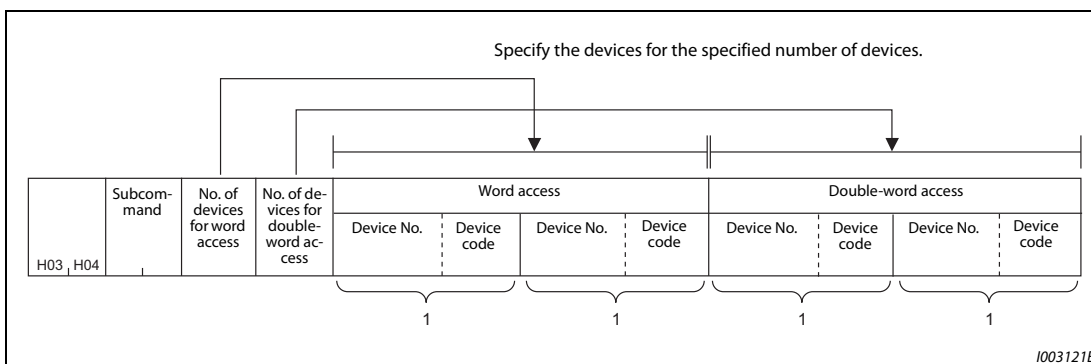


Fig. 5-283: Request data for random read

Item	Description
Subcommand	Specify the unit (bit/word) for reading.
Number of devices for word access	Specify the number of devices for one-word access. (bit device: 16 bits, word device: one word)
Number of devices for double-word access	Specify the number of devices for two-word access. (bit device: 32 bits, word device: two words)
Word access	Specify the devices according to the number set in the request data for word access. It is not necessary to specify the devices when "0" is set.
Double-word access	Specify the devices according to the number set in the request data for double word access. It is not necessary to specify the devices when "0" is set.
Device No.	Specify the number of the devices. (Refer to page 5-585)
Device code	Specify the type of the target devices. (Refer to page 5-584.)

Tab. 5-304: Request data description for random read

- Response data
The value read from the device is stored in hexadecimal.

Data in the devices specified for word access		Data in the devices specified for double-word access	
-----		-----	
Word access		Double-word access	
Read data 1	Read data 2	Read data 1	Read data 2

● Write random

The inverter writes the value in the devices with the specified numbers. The devices with non-consecutive numbers can be specified.

– Request data

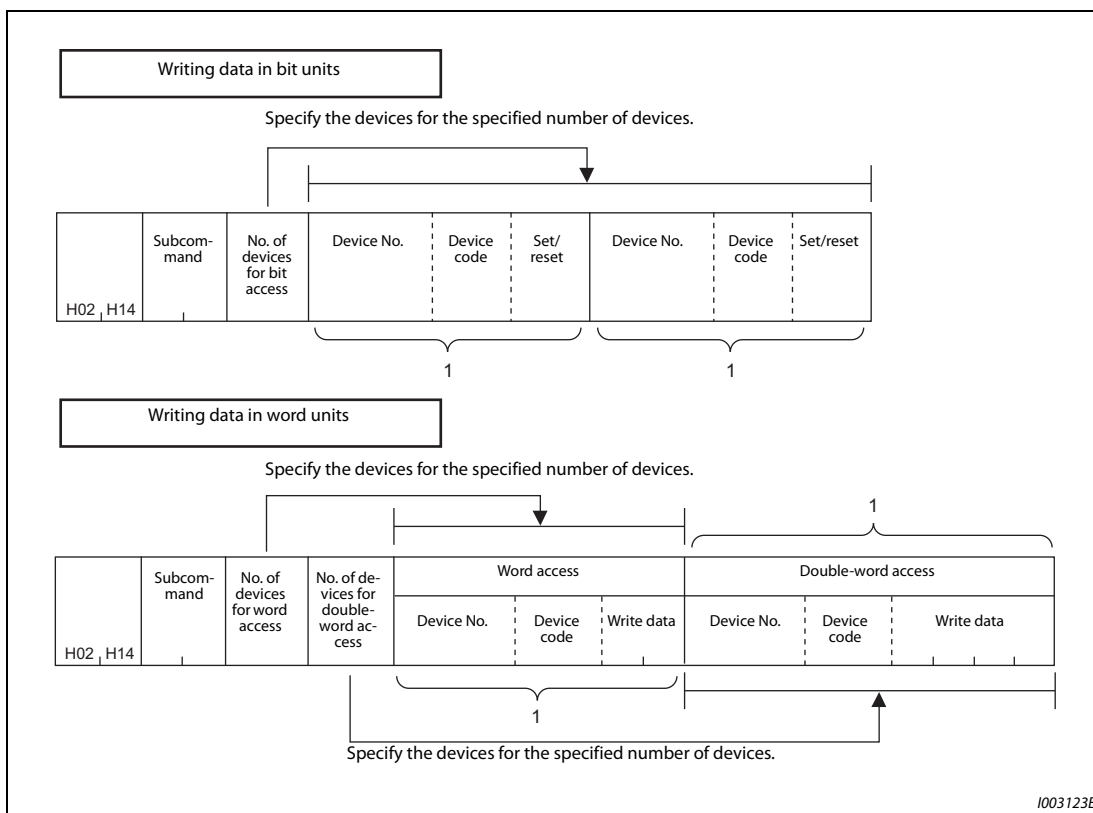


Fig. 5-284: Request data for random write

Item	Description
Subcommand	Specify the unit (bit/word) for writing.
Number of devices for bit access	Specify the number of target devices.
Number of devices for word access	
Number of devices for double-word access	
Word access	Specify the devices according to the number set in the request data for word access. It is not necessary to specify the devices when "0" is set.
Double-word access	Specify the devices according to the number set in the request data for double word access. It is not necessary to specify the devices when "0" is set.
Device No.	Specify the number of the devices. (Refer to page 5-585)
Device code	Specify the type of the target devices. (Refer to page 5-584.)
Set/reset	Specify the data to write (ON/OFF) of the bit devices: ● ON: H01 ● OFF: H00 Either of the one byte numerical values is sent.

Tab. 5-305: Request data description for random write

– Response data
None

- Remote RUN

The external device executes the remote RUN to the inverter.

- Request data

		Mode	Clear mode	
H01	H10	H00	H00	H00

Item	Description	
Mode	Forced execution of the remote RUN is not allowed.	H0100
	Forced execution of the remote RUN is allowed.	H0300
Clear mode	Devices are not cleared (initialized).	H00
	Devices are cleared.	H01, H02

Tab. 5-306: Request data description for remote RUN instruction

- Response data
None

- Remote STOP

The external device executes the remote STOP to the inverter.

- Request data

H02	H10	H00	H00	H01	H00
-----	-----	-----	-----	-----	-----

- Response data
None

- CPU (inverter) model name read

The external device reads the model name and model code of the inverter.

- Request data

H01	H01	H00	H00
-----	-----	-----	-----

- Response data

Model	Model code

Item	Description
Model	The inverter model is stored. Up to 16 characters can be stored. If the model name is shorter than 16 characters, a space (H20) is stored instead of a character. Example: FR-F800-E inverter: FR-F800-E
Model code	Fixed to H054E

Tab. 5-307: Response data description for reading the model name

Error code

When the end code is other than "0" (failed completion), one of the error codes shown in the following table will be stored.

Error code	Fault definition
H4031	The device outside of the range is specified.
H4080	Request data fault
H4A01	The network with the No. set in the routing parameter does not exist. (The destination network No., destination station No., or destination unit I/O No. is different from that of the target inverter.)
HC059	The command or subcommand is specified incorrectly. Or, an unspecified command is received.
HC05B	The inverter cannot read/write data from/to the specified device.
HC05C	The request message has an error.
HC060	The requested operation has an error. Example: Data is specified incorrectly for the bit device.
HC061	The request data length is inconsistent with the number of data.
HCEE1	The request message size exceeds the allowable range.
HCEE2	The response message size exceeds the allowable range.

Tab. 5-308: Error codes at completion with fault

5.18.2 Modbus®/TCP

The Modbus®/TCP protocol allows transmission of Modbus® messages via Ethernet communication.

Communication specifications

- The communication specifications are given below.

Item		Description
Communication protocol		Modbus®/TCP protocol
Conforming standard		Open Modbus®/TCP specification
Waiting time setting		Not used
Maximum number of connections		3
Slave function (server)	Number of simultaneously acceptable request messages	1

Tab. 5-309: Modbus®/TCP communication specifications

- Initial setting
- To select Modbus®/TCP for the application, set "502" in any of Pr. 1427 to Pr. 1429 (Ethernet function selection 1 to 3). (Refer to page 5-524.)
- To limit the network devices that send the operation or speed command through the Ethernet network (Modbus®/TCP), set the range of IP addresses (Pr. 1449 to Pr. 1454). (Refer to page 5-528.)
- Set the interval of the communication check (signal loss detection) time in Pr. 1432 "Ethernet communication check time interval" for all devices with IP addresses in the range specified for Ethernet command source selection (Pr. 1449 to Pr. 1454). (Refer to page 5-529.)

Message format

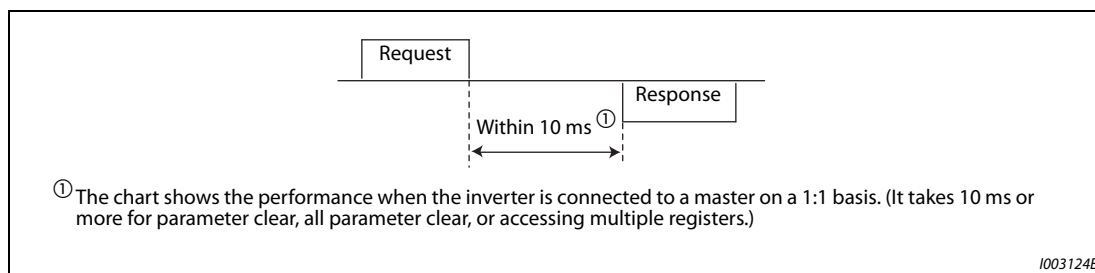


Fig. 5-285: Message format

- Query
A message is sent to the slave (for instance, the inverter) having the address specified by the master.
- Normal response
After the query from the master is received, the slave executes the request function, and returns the corresponding normal response to the master.
- Error response
When an invalid function code, address or data is received by the slave, the error response is returned to the master.
This response is appended with an error code that indicates the reason why the request from the master could not be executed.
This response cannot be returned for errors, detected by the hardware, frame error and header check error.

Message frame (protocol)

- Communication method
 Basically, the master sends a query message (inquiry), and slaves return a response message (response). At normal communication, the transaction identifier, protocol identifier, and function code are copied as they are, and at erroneous communication (illegal function code or data code), bit7 (= H80) of the function code is turned ON, and the error code is set at data bytes.

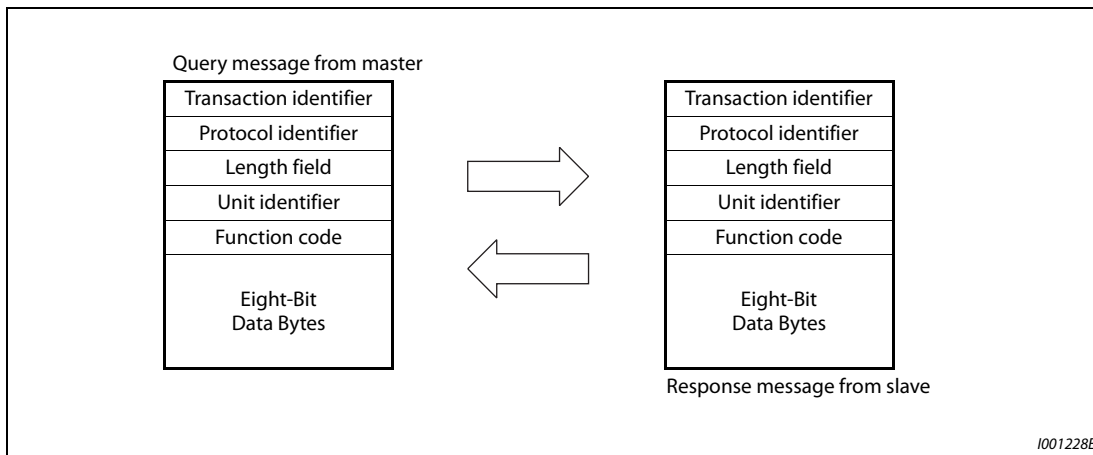


Fig. 5-286: Data transmission

Message frames comprise the six message fields shown in the figures above.

- Details of protocol

The following table explains the six message fields.

Transaction identifier	Protocol identifier	Length field	Unit identifier	Function	Data
2 × 8 bits	2 × 8 bits	2 × 8 bits	8 bits	8 bits	n × 8 bits

Message field	Description
Transaction identifier	The master adds the data for the purpose of transaction control. The same data is returned in the response from the slave.
Protocol identifier	Fixed to 0. (When the slave receives data other than 0, it does not send the response message.) 0 is returned in the response from the slave.
Length field	The data length from the unit identifier to the data is stored in byte.
Unit identifier	Fixed to 255
Function code	1 to 255 can be set in single byte lengths (8 bits) for the function code. The master sets the function to be sent to the slave as the request, and the slave performs the requested operation. "Function code list" summarizes the supported function codes. An error response is generated when a function code other than "Function code list" is set. At a response from the slave, the function code set by the master is returned in the case of a normal response. At an error response, H80 and the function code are returned.
Data	The format changes according to the function code. (Refer to page 5-596.) The data, for example, includes the byte count, number of bytes and accessing content of holding registers.

Tab. 5-310: Protocol details

Function code list

Function name	Read/Write	Code	Outline	Message format reference page
Read holding register	Read	H03	The data of the holding registers is read. The various data of the inverter can be read from Modbus® registers. System environmental variable (Refer to page 5-605.) Real time monitor (Refer to page 5-198.) Faults history (Refer to page 5-609.) Model information monitor (Refer to page 5-609.) Inverter parameters (Refer to page 5-607.)	5-596
Preset single register	Write	H06	Data is written to holding registers. Data can be written to Modbus® registers to output instructions to the inverter or set parameters. System environmental variable (Refer to page 5-605.) Inverter parameters (Refer to page 5-607.)	5-598
Diagnostics	Read	H08	Functions are diagnosed. (communication check only) A communication check can be made since the query message is sent and the query message is returned as it is as the return message (subfunction code H00 function). Subfunction code H00 (Return query data)	5-599
Preset multiple registers	Write	H10	Data is written to consecutive multiple holding registers. Data can be written to consecutive multiple Modbus® registers to output instructions to the inverter or set parameters. System environmental variable (Refer to page 5-605.) Inverter parameters (Refer to page 5-607.)	5-600
Read holding register access log	Read	H46	The number of registers that were successfully accessed by the previous communication is read. Queries by function codes H03 and H10 are supported. The number and start address of holding registers successfully accessed by the previous communication are returned. "0" is returned for both the number and start address for queries other than function code H03 and H10. When the connection is closed, the data in the log is cleared.	5-600

Tab. 5-311: Function code list

Read holding register (reading data of holding registers) (H03 or 03)

● Query message

① Transaction identifier		② Protocol identifier		③ Length field		④ Unit identifier	⑤ Function	⑥ Starting address		⑦ No. of points	
H (8 bits)	L (8 bits)	H (8 bits)	L (8 bits)	H (8 bits)	L (8 bits)	(8 bits)	H03 (8 bits)	H (8 bits)	L (8 bits)	H (8 bits)	L (8 bits)

● Normal response (Response message)

① Transaction identifier		② Protocol identifier		③ Length field		④ Unit identifier	⑤ Function	⑧ Byte count	⑨ Data		
H (8 bits)	L (8 bits)	H (8 bits)	L (8 bits)	H (8 bits)	L (8 bits)	(8 bits)	H03 (8 bits)	(8 bits)	H (8 bits)	L (8 bits)	... (n × 16 bits)

● Query message setting

Message	Description
① Transaction identifier	The master adds the data for the purpose of transaction control. The same data is returned in the response from the slave.
② Protocol identifier	Fixed to 0. (When the slave receives data other than 0, it does not send the response message.) 0 is returned in the response from the slave.
③ Length field	The data length from the unit identifier to the data is stored in byte.
④ Unit identifier	Fixed to 255
⑤ Function	Set H03.
⑥ Starting address	Set the holding register. address from which to start reading of data. Starting address = start register address (decimal) – 40001 For example, when start register address 0001 is set, the data of holding register address 40002 is read.
⑦ No. of points	Set the number of holding registers to read. Data can be read from up to 125 registers.

Tab. 5-312: Description of the query message

● Content of normal response

Message	Description
⑧ Byte count	The setting range is H02 to HFA (2 to 250). Twice the number of reads specified by ⑦ is set.
⑨ Data	The amount of data specified by ⑦ is set. Read data is output Hi bytes first followed by Lo bytes, and is arranged as follows: data of start address, data of start address + 1, data of start address + 2, and so forth.

Tab. 5-313: Description of normal response

Example ▾

Read the register values of 41004 (Pr. 4) to 41006 (Pr. 6) from slave address 17 (H11).

Query message

Transaction identifier		Protocol Identifier		Length field		Unit identifier	Function	Starting address		No. of points	
①	①	H00 (8 bits)	H00 (8 bits)	H00 (8 bits)	H06 (8 bits)	H11 (8 bits)	H03 (8 bits)	H03 (8 bits)	HEB (8 bits)	H00 (8 bits)	H03 (8 bits)

① A given value is set.

Normal response (Response message)

Transaction identifier		Protocol Identifier		Length field		Unit identifier	Function	Byte count	Data					
②	②	H00 (8 bits)	H00 (8 bits)	H00 (8 bits)	H09 (8 bits)	H11 (8 bits)	H03 (8 bits)	H06 (8 bits)	H17 (8 bits)	H70 (8 bits)	H0B (8 bits)	HB8 (8 bits)	H03 (8 bits)	HE8 (8 bits)

② The values are the same as those in the query message.

Read value

Register 41004 (Pr. 4): H1770 (60.00 Hz)

Register 41005 (Pr. 5): H0BB8 (30.00 Hz)

Register 41006 (Pr. 6): H03E8 (10.00 Hz)



Preset single register (writing data to holding registers) (H06 or 06)

- The content of the "system environmental variables" and "inverter parameters" assigned to the holding register area (refer to the Modbus® register list (page 5-605)) can be written.
- Query message

① Transaction identifier		② Protocol Identifier		③ Length field		④ Unit identifier	⑤ Function	⑥ Register address		⑦ Preset data	
H (8 bits)	L (8 bits)	H (8 bits)	L (8 bits)	H (8 bits)	L (8 bits)	(8 bits)	H06 (8 bits)	H (8 bits)	L (8 bits)	H (8 bits)	L (8 bits)

- Normal response (Response message)

① Transaction identifier		② Protocol Identifier		③ Length field		④ Unit identifier	⑤ Function	⑥ Register address		⑦ Preset data	
H (8 bits)	L (8 bits)	H (8 bits)	L (8 bits)	H (8 bits)	L (8 bits)	(8 bits)	H06 (8 bits)	H (8 bits)	L (8 bits)	H (8 bits)	L (8 bits)

- Query message setting

Message	Description
① Transaction identifier	The master adds the data for the purpose of transaction control. The same data is returned in the response from the slave.
② Protocol Identifier	Fixed to 0. (When the slave receives data other than 0, it does not send the response message.) 0 is returned in the response from the slave.
③ Length field	The data length from the unit identifier to the data is stored in byte.
④ Unit identifier	Fixed to 255
⑤ Function	Set H06.
⑥ Register address	Set the holding register address to write data to. Register address = holding register address (decimal) - 40001 For example, when register address 0001 is set, data is written to holding register address 40002.
⑦ Preset data	Set the data to write to the holding register. Write data is fixed at 2 bytes.

Tab. 5-314: Description of the query message

- Content of normal response
With a normal response, the content is the same as in ① to ⑦ of the query message.

Example ▽

Write 60 Hz (H1770) to 40014 (running frequency RAM) of slave address 5 (H05).

Query message

Transaction identifier		Protocol Identifier		Length field		Unit identifier	Function	Register address		Preset data	
①	①	H00 (8 bits)	H00 (8 bits)	H00 (8 bits)	H06 (8 bits)	H05 (8 bits)	H06 (8 bits)	H00 (8 bits)	H0D (8 bits)	H17 (8 bits)	H70 (8 bits)

① A given value is set.

Normal response (Response message)
Same data as query message.



Diagnostics (diagnosis of functions) (H08 or 08)

- A communication check can be made since the query message is sent and the query message is returned as it is as the return message (subfunction code H00 function).
Subfunction code H00 (Return query data)
- Query message

① Transaction identifier		② Protocol Identifier		③ Length field		④ Unit identifier	⑤ Function	⑥ Subfunction		⑦ Data	
H (8 bits)	L (8 bits)	H (8 bits)	L (8 bits)	H (8 bits)	L (8 bits)	(8 bits)	H08 (8 bits)	H00 (8 bits)	H00 (8 bits)	H (8 bits)	L (8 bits)

- Normal response (Response message)

① Transaction identifier		② Protocol Identifier		③ Length field		④ Unit identifier	⑤ Function	⑥ Subfunction		⑦ Data	
H (8 bits)	L (8 bits)	H (8 bits)	L (8 bits)	H (8 bits)	L (8 bits)	(8 bits)	H08 (8 bits)	H00 (8 bits)	H00 (8 bits)	H (8 bits)	L (8 bits)

- Query message setting

Message		Description
①	Transaction identifier	The master adds the data for the purpose of transaction control. The same data is returned in the response from the slave.
②	Protocol Identifier	Fixed to 0. (When the slave receives data other than 0, it does not send the response message.) 0 is returned in the response from the slave.
③	Length field	The data length from the unit identifier to the data is stored in byte.
④	Unit identifier	Fixed to 255
⑤	Function	Set H08.
⑥	Subfunction	Set H0000.
⑦	Data	Any data 2 bytes long can be set. Setting range is H0000 to HFFFF.

Tab. 5-315: Description of the query message

- Content of normal response
With a normal response, the content is the same as in ① to ⑦ of the query message.

Preset multiple registers (writing data to multiple holding registers) (H10 or 16)

- Data can be written to multiple holding registers.
- Query message

① Transaction identifier		② Protocol Identifier		③ Length field		④ Unit identifier	⑤ Function	⑥ Starting address		⑦ No. of points		⑧ Byte count	⑨ Data		
H (8 bits)	L (8 bits)	H (8 bits)	L (8 bits)	H (8 bits)	L (8 bits)	(8 bits)	H10 (8 bits)	H (8 bits)	L (8 bits)	H (8 bits)	L (8 bits)	(8 bits)	H (8 bits)	L (8 bits)	... (n × 2 × 8 bits)

- Normal response (Response message)

① Transaction identifier		② Protocol Identifier		③ Length field		④ Unit identifier	⑤ Function	⑥ Starting address		⑦ No. of points	
H (8 bits)	L (8 bits)	H (8 bits)	L (8 bits)	H (8 bits)	L (8 bits)	(8 bits)	H10 (8 bits)	H (8 bits)	L (8 bits)	H (8 bits)	L (8 bits)

- Query message setting

Message	Description
① Transaction identifier	The master adds the data for the purpose of transaction control. The same data is returned in the response from the slave.
② Protocol Identifier	Fixed to 0. (When the slave receives data other than 0, it does not send the response message.) 0 is returned in the response from the slave.
③ Length field	The data length from the unit identifier to the data is stored in byte.
④ Unit identifier	Fixed to 255
⑤ Function	Set H10.
⑥ Starting address	Set the holding register address from which to start writing the data. Starting address = start register address (decimal) - 40001 For example, when start register address 0001 is set, the data of holding register address 40002 is read.
⑦ No. of points	Set the number of holding registers to write to. Data can be written to up to 125 registers.
⑧ Byte count	The setting range is H02 to HFA (2 to 250). Set the value set in ⑦ multiplied by 2.
⑨ Data	The amount of data specified by ⑦ is set. Write data is output Hi bytes first followed by Lo bytes, and is arranged as follows: data of start address, data of start address + 1, data of start address + 2, and so forth.

Tab. 5-316: Description of the query message

- Content of normal response
With a normal response, the content is the same as in ① to ⑦ of the query message.

Example ▾

Write 0.5 s (H05) to 41007 (Pr. 7) and 1 s (H0A) to 41008 (Pr. 8) of slave address 25 (H19).

Query message

Transaction identifier		Protocol Identifier		Length field		Unit identifier	Function	Starting address		No. of points		Byte count	Data			
①	①	H00 (8 bits)	H00 (8 bits)	H00 (8 bits)	H0B (8 bits)	H19 (8 bits)	H10 (8 bits)	H03 (8 bits)	HEE (8 bits)	H00 (8 bits)	H02 (8 bits)	H04 (8 bits)	H00 (8 bits)	H05 (8 bits)	H00 (8 bits)	H0A (8 bits)

① A given value is set.

Normal response (Response message)

Transaction identifier		Protocol Identifier		Length field		Unit identifier	Function	Starting address		No. of points	
②	②	H00 (8 bits)	H00 (8 bits)	H00 (8 bits)	H06 (8 bits)	H19 (8 bits)	H10 (8 bits)	H03 (8 bits)	HEE (8 bits)	H00 (8 bits)	H02 (8 bits)

② The values are the same as those in the query message.

△

Read holding register access log (H46 or 70)

- Queries by function codes H03 and H10 are supported.
The number and start address of holding registers successfully accessed by the previous communication are returned.
"0" is returned for both the number and start address for queries other than the function codes above.
- Query message

① Transaction identifier		② Protocol Identifier		③ Length field		④ Unit identifier	⑤ Function
H (8 bits)	L (8 bits)	H (8 bits)	L (8 bits)	H (8 bits)	L (8 bits)	(8 bits)	H46 (8 bits)

- Normal response (Response message)

① Transaction identifier		② Protocol Identifier		③ Length field		④ Unit identifier	⑤ Function	⑥ Starting address		⑦ No. of points	
H (8 bits)	L (8 bits)	H (8 bits)	L (8 bits)	H (8 bits)	L (8 bits)	(8 bits)	H46 (8 bits)	H (8 bits)	L (8 bits)	H (8 bits)	L (8 bits)

- Query message setting

Message	Description
① Transaction identifier	The master adds the data for the purpose of transaction control. The same data is returned in the response from the slave.
② Protocol Identifier	Fixed to 0. (When the slave receives data other than 0, it does not send the response message.) 0 is returned in the response from the slave.
③ Length field	The data length from the unit identifier to the data is stored in byte.
④ Unit identifier	Fixed to 255
⑤ Function	Set H46.

Tab. 5-317: Description of the query message

- Content of normal response

Message	Description
⑥ Starting address	The start address of the holding register that was successfully accessed is returned. Starting address = start register address (decimal) – 40001 For example, when start address 0001 is returned, the holding register address that was successfully accessed is 40002.
⑦ No. of points	The number of holding registers that were successfully accessed is returned.

Tab. 5-318: Description of normal response

Example ▾

Read the successful register start address and number of successful accesses from slave address 25 (H19).

Query message

Transaction identifier		Protocol Identifier		Length field		Unit identifier	Function
①	①	H00 (8 bits)	H00 (8 bits)	H00 (8 bits)	H02 (8 bits)	H19 (8 bits)	H46 (8 bits)

① A given value is set.

Normal response (Response message)

Transaction identifier		Protocol Identifier		Length field		Unit identifier	Function	Starting address		No. of points	
②	②	H00 (8 bits)	H00 (8 bits)	H00 (8 bits)	H06 (8 bits)	H19 (8 bits)	H10 (8 bits)	H03 (8 bits)	HEE (8 bits)	H00 (8 bits)	H02 (8 bits)

② The values are the same as those in the query message.

Two successful reads of start address 41007 (Pr. 7) are returned.



Error response

- An error response is returned if the query message received from the master contains an illegal function, address or data.
No response is returned for parity, overrun, framing, and busy errors.
- Error response (Response message)

① Transaction identifier		② Protocol identifier		③ Length field		④ Unit identifier	⑤ Function	⑥ Exception code
H (8 bits)	L (8 bits)	H (8 bits)	L (8 bits)	H (8 bits)	L (8 bits)	(8 bits)	H80 + Function (8 bits)	(8 bits)

	Message	Description
①	Transaction identifier	The master adds the data for the purpose of transaction control. The same data is returned in the response from the slave.
②	Protocol identifier	Fixed to 0. (When the slave receives data other than 0, it does not send the response message.) 0 is returned in the response from the slave.
③	Length field	The data length from the unit identifier to the data is stored in byte.
④	Unit identifier	Fixed to 255
⑤	Function	The function code requested by the master + H80 is set.
⑥	Exception code	The codes in the following table are set.

Tab. 5-319: Description of response data

- Error code list

Code	Error Item	Error description
01	ILLEGAL FUNCTION	The query message from the master is set with a function code that cannot be handled by the slave.
02	ILLEGAL DATA ADDRESS ①	The query message from the master is set with a register address that cannot be handled by the slave. (No parameter, parameter cannot be read, parameter cannot be written)
03	ILLEGAL DATA VALUE	The query message from the master is set with data that cannot be handled by the slave. (Out of parameter write range, a mode is specified, other error)
06	SLAVE DEVICE BUSY	The request message cannot be processed because the slave is executing another operation.

Tab. 5-320: Error code list

- ① An error response is not returned in the following cases:
- Function code H03 (read data of holding register)
When the number of registers is specified as one or more and there are one or more holding registers from which data can be read.
 - Function code H10 (write data to multiple holding registers)
When the number of registers is specified as one or more and there are one or more holding registers to which data can be written.
- In other words, when function code H03 or H10 is used and multiple holding registers are accessed, an error response is not returned even if a non-existent holding register or holding register that cannot be read or written is accessed.

NOTE

An error response is returned if none of the accessed holding registers exist. When an accessed holding register does not exist, the read value is 0 and the written data is invalid.

Modbus® register

The following shows the Modbus® registers for system environment variables (read/write), real time monitor items (read), parameters (read/write), faults history data (read/write), and model information monitor items (read).

● System environment variables

Register	Definition	Read/Write	Remarks
40002	Inverter reset	Write	Any value can be written
40003	Parameter clear	Write	Set H965A for the write value.
40004	All parameter clear	Write	Set H99AA for the write value.
40006	Parameter clear ^①	Write	Set H5A96 for the write value.
40007	All parameter clear ^①	Write	Set HAA99 for the write value.
40009	Inverter status/ control input command ^②	Read/Write	Refer to the following table (tab. 5-322).
40010	Operation mode/inverter setting ^③	Read/Write	Refer to the following table (tab. 5-322).
40014	Running frequency (RAM value)	Read/Write	The display can be changed to the rotations per minute using Pr. 37, and Pr. 144 (Refer to page 5-196.)
40015	Running frequency (EEPROM value)	Write	

Tab. 5-321: System environment variable

- ^① Communication parameter settings are not cleared.
^② At a write, the data is set as the control input command.
 At a read, the data is read as the inverter running status.
^③ At a write, the data is set as the operation mode setting.
 At a read, the data is read as the operation mode setting.

Bit	Definition	
	Control input command	Inverter status
0	Stop command	RUN (Inverter running) ^③
1	Forward rotation command	During forward rotation
2	Reverse rotation command	During reverse rotation
3	RH (High-speed operation command) ^①	SU (Up to frequency) ^③
4	RM (Middle-speed operation command) ^①	OL (Overload warning) ^③
5	RL (Low-speed operation command) ^①	IPF (Instantaneous power failure) ^{③ ④}
6	JOG (Jog operation selection) ^①	FU (Output frequency detection) ^③
7	RT (Second function selection) ^①	ABC1 (Fault) ^③
8	AU (Terminal 4 input selection) ^①	ABC2 (—) ^③
9	CS (Selection of automatic restart after instantaneous power failure) ^①	Safety monitor output
10	MRS (Output stop) ^{① ②}	0
11	STP (STOP) (Start self-holding selection) ^①	0
12	RES (Inverter reset) ^①	0
13	0	0
14	0	0
15	0	Fault occurrence

Tab. 5-322: Inverter status/control input command

- ① The signal within parentheses () is the initial status. The input signal function can be changed using Pr. 180 to Pr. 189 (input terminal function selection) (page 5-285). JOG operation/automatic restart after instantaneous power failure/start self-holding selection/reset cannot be controlled over a network, so in the initial status bit 6, bit 9, bit 11, and bit 12 are invalid. To use bit 6, bit 9, bit 11, and bit 12, change the signal by Pr. 185, Pr.186, Pr. 188, or Pr. 189.
- ② The inverter run enable signal is in the initial status for the separated converter type.
- ③ The signal within parentheses () is the initial status. The output signal function can be changed using Pr. 190 to Pr. 196 (output terminal function selection) (page 5-231).
- ④ No function is assigned in the initial status for the separated converter type.

Mode	Read value	Write value
EXT	H0000	H0010 ①
PU	H0001	H0011 ①
EXT JOG	H0002	—
PU JOG	H0003	—
NET	H0004	H0014
PU+EXT	H0005	—

Tab. 5-323: Operation mode/inverter setting

- ① Enable/disable parameter writing by Pr. 79 and Pr. 340 settings. For the details, refer to page 5-128. Restrictions in each operation mode conform with the computer link specification.

● Real-time monitor

Refer to the description of Pr. 52 on page 5-198 for the register numbers and monitored items of the real time monitor.

● Parameters

Pr.	Register	Name	Read/Write	Remarks
0 to 999	41000 to 41999	For details on parameter names, refer to the parameter list (page 5-2).	Read/Write	The parameter number + 41000 is the register number.
C2 (902)	41902	Terminal 2 frequency setting bias (frequency)	Read/Write	
C3 (902)	42092	Terminal 2 frequency setting bias (analog value)	Read/Write	Analog value (%) set to C3 (902)
	43902	Terminal 2 frequency setting bias (terminal analog value)	Read	Analog value (%) of voltage (current) applied to terminal 2
125 (903)	41903	Terminal 2 frequency setting gain (frequency)	Read/Write	
C4 (903)	42093	Terminal 2 frequency setting gain (analog value)	Read/Write	Analog value (%) set to C4 (903)
	43903	Terminal 2 frequency setting gain (terminal analog value)	Read	Analog value (%) of voltage (current) applied to terminal 2
C5 (904)	41904	Terminal 4 frequency setting bias (frequency)	Read/Write	
C6 (904)	42094	Terminal 4 frequency setting bias (analog value)	Read/Write	Analog value (%) set to C6 (904)
	43904	Terminal 4 frequency setting bias (terminal analog value)	Read	Analog value (%) of current (voltage) applied to terminal 4
126 (905)	41905	Terminal 4 frequency setting gain (frequency)	Read/Write	
C7 (905)	42095	Terminal 4 frequency setting gain (analog value)	Read/Write	Analog value (%) set to C7 (905)
	43905	Terminal 4 frequency setting gain (terminal analog value)	Read	Analog value (%) of current (voltage) applied to terminal 4
C12 (917)	41917	Terminal 1 bias frequency (speed)	Read/Write	
C13 (917)	42107	Terminal 1 bias (speed)	Read/Write	Analog value (%) set to C13 (917)
	43917	Terminal 1 bias (speed) (terminal analog value)	Read	Analog value (%) of voltage applied to terminal 1
C14 (918)	41918	Terminal 1 gain frequency (speed)	Read/Write	
C15 (918)	42108	Terminal 1 gain (speed)	Read/Write	Analog value (%) set to C15 (918)
	43918	Terminal 1 gain (speed) (terminal analog value)	Read	Analog value (%) of voltage applied to terminal 1
C16 (919)	41919	Terminal 1 bias command (torque)	Read/Write	
C17 (919)	42109	Terminal 1 bias (torque)	Read/Write	Analog value (%) set to C17 (919)
	43919	Terminal 1 bias (torque) (terminal analog value)	Read	Analog value (%) of voltage applied to terminal 1
C18 (920)	41920	Terminal 1 gain command (torque)	Read/Write	
C19 (920)	42110	Terminal 1 gain (torque)	Read/Write	Analog value (%) set to C19 (920)
	43920	Terminal 1 gain (torque) (terminal analog value)	Read	Analog value (%) of voltage applied to terminal 1
C29 (925)	42115	Motor temperature detection calibration (analog input)	Read/Write	
	43925	Motor temperature detection calibration (analog input) (terminal analog value)	Read	Analog value (%) between terminals TH1 and TH2 of the FR-A8AZ
C30 (926)	41926	Terminal 6 bias frequency (speed)	Read/Write	

Tab. 5-324: Parameters (1)

Pr.	Register	Name	Read/Write	Remarks
C31 (926)	42116	Terminal 6 bias (speed)	Read/Write	Analog value (%) set to C31 (926)
	43926	Terminal 6 bias (speed) (terminal analog value)	Read	Analog value (%) of voltage applied to terminal 6 of the FR-A8AZ
C32 (927)	41927	Terminal 6 gain frequency (speed)	Read/Write	
C33 (927)	42117	Terminal 6 gain (speed)	Read/Write	Analog value (%) set to C33 (927)
	43927	Terminal 6 gain (speed) (terminal analog value)	Read	Analog value (%) of voltage applied to terminal 6 of the FR-A8AZ
C34 (928)	41928	Terminal 6 bias command (torque)	Read/Write	
C35 (928)	42118	Terminal 6 bias (torque)	Read/Write	Analog value (%) set to C35 (928)
	43928	Terminal 6 bias (torque) (terminal analog value)	Read	Analog value (%) of voltage applied to terminal 6 of the FR-A8AZ
C36 (929)	41929	Terminal 6 gain command (torque)	Read/Write	
C37 (929)	42119	Terminal 6 gain (torque)	Read/Write	Analog value (%) set to C37 (929)
	43929	Terminal 6 gain (torque) (terminal analog value)	Read	Analog value (%) of voltage applied to terminal 6 of the FR-A8AZ
C8 (930)	41930	Current output bias signal	Read/Write	
C9 (930)	42120	Current output bias current	Read/Write	Analog value (%) set to C9 (930)
C10 (931)	41931	Current output gain signal	Read/Write	
C11 (931)	42121	Current output gain current	Read/Write	Analog value (%) set to C11 (931)
C38 (932)	41932	Terminal 4 bias command (torque)	Read/Write	
C39 (932)	42122	Terminal 4 bias (torque)	Read/Write	Analog value (%) set to C39 (932)
	43932	Terminal 4 bias (torque) (terminal analog value)	Read	Analog value (%) of current (voltage) applied to terminal 4
C40 (933)	41933	Terminal 4 gain command (torque)	Read/Write	
C41 (933)	42123	Terminal 4 gain (torque)	Read/Write	Analog value (%) set to C41 (933)
	43933	Terminal 4 gain (torque) (terminal analog value)	Read	Analog value (%) of current (voltage) applied to terminal 4
C42 (934)	41934	PID display bias coefficient	Read/Write	
C43 (934)	42124	PID display bias analog value	Read/Write	Analog value (%) set to C43 (934)
	43934	PID display bias analog value (terminal analog value)	Read	Analog value (%) of current (voltage) applied to terminal 4
C44 (935)	41935	PID display gain coefficient	Read/Write	
C45 (935)	42125	PID display gain analog value	Read/Write	Analog value (%) set to C45 (935)
	43935	PID display gain analog value (terminal analog value)	Read	Analog value (%) of current (voltage) applied to terminal 4
1000 to 1999	45000 to 45999	For details on parameter names, refer to the parameter list (page 5-2).	Read/Write	The parameter number + 44000 is the register number.

Tab. 5-324: Parameters (2)

● Faults history

Register	Definition	Read/Write	Remarks
40501	Faults history 1	Read/Write	Data is 2 bytes and so is stored in "H0000". The lowest 1 byte can be referred to for the error code. (For details on error codes, refer to page 6-5.) The faults history is batch-cleared by writing to register 40501. Set any value for the data.
40502	Faults history 2	Read	
40503	Faults history 3	Read	
40504	Faults history 4	Read	
40505	Faults history 5	Read	
40506	Faults history 6	Read	
40507	Faults history 7	Read	
40508	Faults history 8	Read	

Tab. 5-325: Faults history

● Model information monitor

Register	Definition	Read/Write	Remarks
44001	Model (First and second characters)	Read	Reading inverter type in ASCII code. "H20" (blank code) is set for blank area. Example of FR-F840-E1 (FM type): H46, H52, H2D, H46, H38, H34, H30, H2D, H45, H31, H20.....H20
44002	Model (Third and fourth characters)	Read	
44003	Model (Fifth and sixth characters)	Read	
44004	Model (Seventh and eighth characters)	Read	
44005	Model (Ninth and tenth characters)	Read	
44006	Model (Eleventh and twelfth characters)	Read	
44007	Model (Thirteenth and fourteenth characters)	Read	
44008	Model (Fifteenth and sixteenth characters)	Read	
44009	Model (Seventeenth and eighteenth characters)	Read	
44010	Model (Nineteenth and twentieth characters)	Read	
44011	Capacity (First and second characters)	Read	Reading inverter capacity in ASCII code. Data is read in increments of 0.1 kW, and rounds down to 0.01 kW increments. "H20" (blank code) is set for blank area. Example: 0.75K "7" (H20, H20, H20, H20, H20, H37)
44012	Capacity (Third and fourth characters)	Read	
44013	Capacity (Fifth and sixth characters)	Read	

Tab. 5-326: Inverter type monitor

NOTE

When a 32-bit parameter setting or monitored value is read and the read value exceeds HFFFF, the reply data will be HFFFF.

5.18.3 CC-Link IE Field Network Basic (FR-F800-E)

The CC-Link IE Field Network Basic enables CC-Link IE communication using the general-purpose Ethernet-based technology. The CC-Link IE Field Network Basic is suited to small-scale equipment for which high-speed control is not necessary, and can coexist with the standard Ethernet TCP/IP (HTTP, FTP, etc.).

Pr.	Name	Initial value	Setting range	Description
541 N100	Frequency command sign selection	0	0	Frequency command without sign
			1	Frequency command with sign
544 N103 ①	CC-Link extended setting	0	0, 1, 12, 14, 18, 24, 28, 100, 112, 114, 118, 128	The function of the remote registers can be extended when the CC-Link IE Field Network Basic is used.

① The setting is applied after an inverter reset or power-ON.

Communication specifications

Item	Description	
Transmission speed	100 Mbps	
Communication method	UDP/IP	
Connectable units	Master: 1 Slave: up to 64	
Topology	Star	
Number of occupied stations	1	
Maximum number of links per station	RX	64 (8 bytes)
	RY	64 (8 bytes)
	RWr	32 (64 bytes)
	RWw	32 (64 bytes)
Reference response time ①	Within 15 ms	

Tab. 5-327: CC-Link IE Field Network Basic communication specifications

① The reference response time is the period from when the inverter receives a command from the master until the inverter returns the response to the master.

Initial setting

- To select the CC-Link IE Field Network Basic for the application, set "61450" in any of Pr. 1427 to Pr. 1429 (Ethernet function selection 1 to 3). (Refer to page 5-524.)
- To limit the network devices that send the command through the Ethernet network (CC-Link IE Field Network Basic), set the range of IP addresses (Pr. 1449 to Pr. 1454). (Refer to page 5-528.)
- Set the interval of the communication check (signal loss detection) time in Pr. 1432 "Ethernet communication check time interval" for all devices with IP addresses in the range specified for Ethernet command source selection (Pr. 1449 to Pr. 1454). (Refer to page 5-529.)

NOTES

To use the CC-Link IE Field Network Basic, do not install the FR-A8NC to the inverter. (Doing so disables communication through the CC-Link IE Field Network Basic.)

When the CC-Link IE Field Network Basic is used, a communication error (E.EHR) occurs regardless of the Pr. 1432 "Ethernet communication check time interval setting" in the following cases: the data addressed to the own station is not received for the predetermined timeout period or longer, or the status bit of the cyclic transmission addressed to the own station turns OFF (when the master gives a command to stop the cyclic transmission). (For the details of the timeout period, status bit of the cyclic transmission, and command to stop the cyclic transmission, refer to the Instruction Manual of the master controller which supports the CC-Link IE Field Network Basic.)

Frequency command with sign (Pr. 541)

- The start command (forward/reverse rotation) can be inverted by adding a plus or minus sign to the value of the frequency command sent through the CC-Link IE Field Network Basic.
- The Pr. 541 "Frequency command sign selection" setting is applied to the frequency command from RWw1. (Refer to 5-619.)

Speed setting using Pr. 37 and Pr. 144	Pr. 541	Sign	Setting range	Actual frequency command
Not used	0	Not used	0 to 59000	0 to 590.00 Hz
	1	With	-32768 to 32767 (two's complement)	-327.68 to 327.67 Hz
With	0	Not used	0 to 65535	It depends on Pr. 37, and Pr. 144. (in 1 or 0.1 increments)
	1	With	-32768 to 32767 (two's complement)	

Tab. 5-328: Setting the sign with Pr. 541

- Relationship between the start command and sign (Pr. 541 = "1")

Start command	Sign of the frequency command	Actual run command
Forward rotation	+	Forward rotation
	-	Reverse rotation
Reverse rotation	+	Reverse rotation
	-	Forward rotation

Tab. 5-329: Influence of the sign on the rotation direction**NOTE**

When Pr. 541 = 1 (with sign):

- When EEPROM write is specified with the RYE, write mode error (error code H01) will occur.
- When concurrent execution of both RYD and RYE is enabled (when a value other than 0 is set in Pr. 544) and both RYD and RYE are turned ON, RYD has precedence.
- When power is turned ON (inverter reset), the initial setting status of the sign bit is "positive" and the set frequency is "0 Hz". (The motor does not operate at the frequency set before turning OFF the power (inverter reset).)
- When set frequency is written with the instruction code of HED and HEE, the sign of the frequency command is not changed.

CC-Link extended setting (Pr. 544)

Use this parameter to select the function of the remote registers for the CC-Link IE Field Network Basic.

Pr. 544 setting	Description	Refer to page
0 (initial setting)	Compatible with CC-Link Ver.1	5-613
1	Compatible with CC-Link Ver.1	5-614
12	Compatible with the double setting of CC-Link Ver.2	5-614
14	Compatible with the quadruple setting of CC-Link Ver.2	5-615
18	Compatible with the octuple setting of CC-Link Ver.2	5-616
24	Compatible with the quadruple setting of CC-Link Ver.2	5-615
28	Compatible with the octuple setting of CC-Link Ver.2	5-616
100	Compatible with CC-Link Ver.1	PLC function Refer to the PLC function programming manual.
112	Compatible with the double setting of CC-Link Ver.2	
114	Compatible with the quadruple setting of CC-Link Ver.2	
118	Compatible with the octuple setting of CC-Link Ver.2	
128	Compatible with the octuple setting of CC-Link Ver.2	

Tab. 5-330: Pr. 544 settings

I/O signal list

- When Pr. 544 = "0" (compatible with CC-Link Ver.1)
- Remote I/O (32 points)

Device No. ⑥	Signal	Refer to page
RYn0	Forward rotation command ③	5-617
RYn1	Reverse rotation command ③	5-617
RYn2	High-speed operation command (terminal RH function) ①	5-617
RYn3	Middle-speed operation command (terminal RM function) ①	5-617
RYn4	Low-speed operation command (terminal RL function) ①	5-617
RYn5	Jog operation command (terminal Jog function) ①	5-617
RYn6	Second function selection (terminal RT function) ①	5-617
RYn7	Current input selection (terminal AU function) ①	5-617
RYn8	Selection of automatic restart after instantaneous power failure (terminal CS function) ① ②	5-617
RYn9	Output stop (terminal MRS function) ①	5-617
RYnA	Start self-holding selection (terminal STOP function) ①	5-617
RYnB	Reset (terminal RES function) ①	5-617
RYnC	Monitor command	5-617
RYnD	Frequency setting command (RAM)	5-617
RYnE	Frequency setting command (RAM, EEPROM)	5-617
RYnF	Instruction code execution request	5-617
RY(n+1)0 to RY(n+1)7	Reserved	—
RY(n+1)8	Not used (initial data process completion flag)	—
RY(n+1)9	Not used (initial data process request flag)	—
RY(n+1)A	Error reset request flag	5-617
RY(n+1)B to RY(n+1)F	Reserved	—

Tab. 5-331: Remote output signals

- ① These signals are set in the initial values. Using Pr. 180 to Pr. 189, input signal functions can be changed (refer to page 5-285).
- ② No function is assigned in the initial setting.
- ③ The signals are fixed. They cannot be changed using parameters.
- ④ These signals are set in the initial values. Using Pr. 190 to Pr. 196, output signal functions can be changed (refer to page 5-231).
- ⑤ Output signal can be assigned using Pr. 313 to Pr. 315. The setting range depends on the inverter. Using Pr. 190 to Pr. 196, output signal functions can be changed (refer to page 5-231).
- ⑥ "n" indicates a value determined by the station number setting.

Device No. ⑥	Signal	Refer to page
RXn0	Forward running	5-618
RXn1	Reverse running	5-618
RXn2	Running (terminal RUN function) ④	5-618
RXn3	Up to frequency (terminal SU function) ④	5-618
RXn4	Overload alarm (terminal OL function) ④	5-618
RXn5	Instantaneous power failure (terminal IPF function) ④	5-618
RXn6	Frequency detection (terminal FU function) ④	5-618
RXn7	Error (terminal ABC1 function) ④	5-618
RXn8	— (terminal ABC2 function) ④	5-618
RXn9	Pr. 313 assignment function (DO0) ⑤	5-618
RXnA	Pr. 314 assignment function (DO1) ⑤	5-618
RXnB	Pr. 315 assignment function (DO2) ⑤	5-618
RXnC	Monitoring	5-618
RXnD	Frequency setting completion (RAM)	5-618
RXnE	Frequency setting completion (RAM, EEPROM)	5-618
RXnF	Instruction code execution completion	5-618
RX(n+1)0 to RX(n+1)7	Reserved	—
RX(n+1)8	Not used (initial data process request flag)	—
RX(n+1)9	Not used (initial data process completion flag)	—
RX(n+1)A	Error status flag	5-618
RX(n+1)B	Remote station ready	5-618
RX(n+1)C to RX(n+1)F	Reserved	—

Tab. 5-332: Remote input signals

- Remote register

Address ^②	Description		Refer to page
	Upper 8 bits	Lower 8 bits	
RWwn	Monitor code 2	Monitor code 1	5-619
RWwn+1	Set frequency (0.01 Hz increments)		5-619
RWwn+2	H00 (arbitrary) ^①	Instruction code	5-619
RWwn+3	Write data		5-619

Tab. 5-333: Remote registers (write)

- ① The above 8 bit is always H00 even if a value other than H00 is set.
- ② "n" indicates a value determined by the station number setting.

- When Pr. 544 = "1" (compatible with CC-Link Ver.1)

- Remote I/O (32 points)
Same as when Pr. 544 = 0 (refer to page 5-613).
- Remote register

Address ^①	Description		Refer to page
	Upper 8 bits	Lower 8 bits	
RWwn	Monitor code 2	Monitor code 1	5-619
RWwn+1	Set frequency (0.01 Hz increments)		5-619
RWwn+2	Link parameter extended setting	Instruction code	5-619
RWwn+3	Write data		5-619

Tab. 5-335: Remote registers (write)

- ① "n" indicates a value determined by the station number setting.

- When Pr. 544 = "12" (compatible with the double setting of CC-Link Ver.2)

- Remote I/O (32 points)
Same as when Pr. 544 = 0 (refer to page 5-613).
- Remote register

Address ^①	Description		Refer to page
	Upper 8 bits	Lower 8 bits	
RWwn	Monitor code 2	Monitor code 1	5-619
RWwn+1	Set frequency (0.01 Hz increments)		5-619
RWwn+2	Link parameter extended setting	Instruction code	5-619
RWwn+3	Write data		5-619
RWwn+4	Monitor code 3		5-619
RWwn+5	Monitor code 4		5-619
RWwn+6	Monitor code 5		5-619
RWwn+7	Monitor code 6		5-619

Tab. 5-337: Remote registers (write)

- ① "n" indicates a value determined by the station number setting.

Address ^②	Description		Refer to page
	Upper 8 bits	Lower 8 bits	
RWrn	First monitor value		5-620
RWrn+1	Second monitor value		5-620
RWrn+2	Reply code		5-620
RWrn+3	Read data		5-620

Tab. 5-334: Remote registers (read)

Address ^①	Description		Refer to page
	Upper 8 bits	Lower 8 bits	
RWrn	First monitor value		5-620
RWrn+1	Second monitor value		5-620
RWrn+2	Reply code 2	Reply code 1	5-620
RWrn+3	Read data		5-620

Tab. 5-336: Remote registers (read)

Address ^①	Description		Refer to page
	Upper 8 bits	Lower 8 bits	
RWrn	First monitor value		5-620
RWrn+1	Second monitor value		5-620
RWrn+2	Reply code 2	Reply code 1	5-620
RWrn+3	Read data		5-620
RWrn+4	Third monitor value		5-620
RWrn+5	Fourth monitor value		5-620
RWrn+6	Fifth monitor value		5-620
RWrn+7	Sixth monitor value		5-620

Tab. 5-338: Remote registers (read)

- When Pr. 544 = "14 or 24" (compatible with the quadruple setting of CC-Link Ver.2)
 - Remote I/O (32 points (64 points occupied))
Same as when Pr. 544 = 0 (refer to page 5-613).
 - Remote register

Address ②	Description		Refer to page
	Upper 8 bits	Lower 8 bits	
RWwn	Monitor code 2	Monitor code 1	5-619
RWwn+1	Set frequency (0.01 Hz increments)		5-619
RWwn+2	Link parameter extended setting	Instruction code	5-619
RWwn+3	Write data		5-619
RWwn+4	Monitor code 3		5-619
RWwn+5	Monitor code 4		5-619
RWwn+6	Monitor code 5		5-619
RWwn+7	Monitor code 6		5-619
RWwn+8	Faults history No.	H00	5-619
RWwn+9	PID set point (0.01% increments) ①		5-619
RWwn+A	PID measured value (0.01% increments) ①		5-619
RWwn+B	PID deviation (0.01% increments) ①		5-619
RWwn+C	H00 (Free)		—
RWwn+D	H00 (Free)		—
RWwn+E	H00 (Free)		—
RWwn+F	H00 (Free)		—

Tab. 5-339: Remote registers (write)

Address ②	Description		Refer to page
	Upper 8 bits	Lower 8 bits	
RWrn	First monitor value		5-620
RWrn+1	Second monitor value		5-620
RWrn+2	Reply code 2	Reply code 1	5-620
RWrn+3	Read data		5-620
RWrn+4	Third monitor value		5-620
RWrn+5	Fourth monitor value		5-620
RWrn+6	Fifth monitor value		5-620
RWrn+7	Sixth monitor value		5-620
RWrn+8	Faults history No.	Fault data	5-620
RWrn+9	Fault record (output frequency)		5-620
RWrn+A	Fault record (output current)		5-620
RWrn+B	Fault record (output voltage)		5-620
RWrn+C	Fault record (energization time)		5-620
RWrn+D	H00 (Free)		—
RWrn+E			
RWrn+F			

Tab. 5-340: Remote registers (read)

① Valid when Pr. 128 = "50, 51, 60, or 61".

② "n" indicates a value determined by the station number setting.

- When Pr. 544 = "18 or 28" (compatible with the octuple setting of CC-Link Ver.2)
 - Remote I/O (32 points (128 points occupied))
Same as when Pr. 544 = 0 (refer to page 5-613).
 - Remote register

Address ^②	Description		Refer to page
	Upper 8 bits	Lower 8 bits	
RWwn	Monitor code 2	Monitor code 1	5-619
RWwn+1	Set frequency (0.01 Hz increments)		5-619
RWwn+2	Link parameter extended setting	Instruction code	5-619
RWwn+3	Write data		5-619
RWwn+4	Monitor code 3		5-619
RWwn+5	Monitor code 4		5-619
RWwn+6	Monitor code 5		5-619
RWwn+7	Monitor code 6		5-619
RWwn+8	Faults history No.	H00	5-619
RWwn+9	PID set point (0.01% increments) ^①		5-619
RWwn+A	PID measured value (0.01% increments) ^①		5-619
RWwn+B	PID deviation (0.01% increments) ^①		5-619
RWrn+C	H00 (Free)		—
RWrn+D	H00 (Free)		—
RWrn+E	H00 (Free)		—
RWrn+F	H00 (Free)		—
RWwn+10	Link parameter extended setting	Instruction code	5-619
RWwn+11	Write data		5-619
RWwn+12	Link parameter extended setting	Instruction code	5-619
RWwn+13	Write data		5-619
RWwn+14	Link parameter extended setting	Instruction code	5-619
RWwn+15	Write data		5-619
RWwn+16	Link parameter extended setting	Instruction code	5-619
RWwn+17	Write data		5-619
RWwn+18	Link parameter extended setting	Instruction code	5-619
RWwn+19	Write data		5-619
RWwn+1A to RWwn+1F	H00 (Free)		—

Tab. 5-341: Remote registers (write)

- ① Valid when Pr. 128 = "50, 51, 60, or 61".
 ② "n" indicates a value determined by the station number setting.

Address ^②	Description		Refer to page
	Upper 8 bits	Lower 8 bits	
RWrn	First monitor value		5-620
RWrn+1	Second monitor value		5-620
RWrn+2	Reply code 2	Reply code 1	5-620
RWrn+3	Read data		5-620
RWrn+4	Third monitor value		5-620
RWrn+5	Fourth monitor value		5-620
RWrn+6	Fifth monitor value		5-620
RWrn+7	Sixth monitor value		5-620
RWrn+8	Faults history No.	Fault data	5-620
RWrn+9	Fault record (output frequency)		5-620
RWrn+A	Fault record (output current)		5-620
RWrn+B	Fault record (output voltage)		5-620
RWrn+C	Fault record (energization time)		5-620
RWrn+D	H00 (Free)		—
RWrn+E			
RWrn+F			
RWrn+10	Reply code		5-620
RWrn+11	Read data		5-620
RWrn+12	Reply code		5-620
RWrn+13	Read data		5-620
RWrn+14	Reply code		5-620
RWrn+15	Read data		5-620
RWrn+16	Reply code		5-620
RWrn+17	Read data		5-620
RWrn+18	Reply code		5-620
RWrn+19	Read data		5-620
RWrn+1A to RWrn+1F	H00 (Free)		—

Tab. 5-342: Remote registers (read)

Details of input and output signals

The following device numbers are for station 1. For stations 2 and later, the device numbers are different. (Refer to the Master Module User's Manual for correspondence between the device number and station number.)

● Output signals (master module to inverter)

Device No.	Signal	Description
RY0	Forward rotation command	0: Stop command 1: Forward rotation start
RY1	Reverse rotation command	0: Stop command 1: Reverse rotation start
RY2	High-speed operation command (terminal RH function)	<ul style="list-style-type: none"> • When "1" is set, a start command is input to the inverter. • When "1" is set in RY0 and RY1, a stop command is input. • The signals are fixed. They cannot be changed using parameters.
RY3	Middle-speed operation command (terminal RM function)	
RY4	Low-speed operation command (terminal RL function)	
RY5	Jog operation command (terminal JOG function)	
RY6	Second function selection (terminal RT function)	
RY7	Current input selection (terminal AU function)	
RY8	Selection of automatic restart after instantaneous power failure (terminal CS function) ①	
RY9	Output stop (terminal MRS function)	
RYA	Start self-holding selection (terminal STOP function)	
RYB	Reset (RES terminal function)	
RYC	Monitor command	When "1" is set in the monitor command (RYC), the monitored value is set in the remote register RWr0, 1, 4 to 7, and "1" is set in the monitoring (RXC). While "1" is set in the monitor command (RYC), the monitored data is always updated.
RYD	Frequency setting command (RAM)	When "1" is set in the frequency setting command (RYD), the set frequency (RWw1) is written to RAM of the inverter. While "1" is set, the set frequency (RWw1) is always applied. After the writing completes, "1" is set in the frequency setting completion (RXD).
RYE	Frequency setting command (RAM, EEPROM)	When "1" is set in the frequency setting command (RYE), the set frequency (RWw1) is written to RAM and EEPROM of the inverter. After the writing completes, "1" is set in the frequency setting completion (RXE). To change the frequency consecutively, be sure to write data only to the inverter RAM.
RYF	Instruction code execution request	When "1" is set in the instruction code execution request (RYF), processes corresponding to the instruction codes set to RWw2, 10, 12, 14, 16 and 18 are executed. "1" is set in the instruction code execution request (RXF) after completion of instruction codes. When an instruction code execution error occurs, a value other than "0" is set in the reply code (RWr2, 10, 12, 14, 16, and 18).
RY1A	Error reset request flag	When "1" is set in the error reset request flag (RY1A) at an inverter fault, the inverter is reset, then "0" is set in the error status flag (RX1A). Refer to page 5-466 for operation conditions of inverter reset.

Tab. 5-343: Output signals from the master module (input signals to inverter)

① No function is assigned in the initial setting.

● Input signals (inverter to master module)

Device No.	Signal	Description
RX0	Forward running	0 : Other than forward running (during stop or reverse rotation) 1 : Forward running
RX1	Reverse running	0 : Other than reverse running (during stop or forward rotation) 1 : Reverse running
RX2	Running (terminal RUN function)	<ul style="list-style-type: none"> • Functions assigned to terminals RUN, SU, OL, IPF, FU, ABC1 and ABC2 activate. • Signal names are initial values. Using Pr. 190 to Pr. 196, you can change output signal functions.
RX3	Up to frequency (terminal SU function)	
RX4	Overload alarm (terminal OL function)	
RX5	Instantaneous power failure (terminal IPF function)	
RX6	Frequency detection (terminal FU function)	
RX7	Fault (terminal ABC1 function)	
RX8	— (terminal ABC2 function)	
RX9	— (DO0 function)	
RXA	— (DO1 function)	
RXB	— (DO2 function)	
RXC	Monitoring	After "1" is set in the monitor command (RYC), and the monitored value is set in the remote register Rwr0, 1, 4 to 7,, "1" is set in this signal. When "0" is set in the monitor command (RYC), "0" is set in this signal.
RXD	Frequency setting completion (RAM)	After "1" is set in the frequency setting command (RYD) and the frequency setting command is written to the inverter RAM, "1" is set in this signal. When "0" is set in the frequency setting command (RYD), "0" is set in this signal.
RXE	Frequency setting completion (RAM, EEPROM)	After "1" is set in the frequency setting command (RYE) and the frequency setting command is written to the inverter RAM and EEPROM, "1" is set in this signal. When "0" is set in the frequency setting command (RYE), "0" is set in this signal.
RXF	Instruction code execution completion	After "1" is set in the instruction code execution request (RYF) and the processes corresponding to the instruction codes (RWw2, 10, 12, 14, 16, and 18) are executed, "1" is set in this signal. When "0" is set in the instruction code execution request (RYF), "0" is set in this signal.
RX1A	Error status flag	When an inverter error occurs (protective function is activated), "1" is set in this signal.
RX1B	Remote station ready	When the inverter goes into the ready status upon completion of initial setting after power-ON or hardware reset, "1" is set in this signal. When an inverter error occurs (protective function is activated), "0" is set in this signal. The signal is used as an interlock signal during the write to/read from the master module.

Tab. 5-344: Output signals from the inverter (input signals to master module)

Details of remote register

● Remote register (master module to inverter)

Device No.	Signal	Description	
RWw0	Monitor code 1, 2	Set the monitor code to be referenced (refer to page 5-624). When "1" is set in RYC, data of specified monitored items will be stored in RWr0, RWr1.	
RWw1	Set frequency ^① ^②	<ul style="list-style-type: none"> Specify the set frequency or speed (machine speed). At this time, whether to write to RAM or EEPROM is decided with the RYD and RYE settings. After setting the set frequency in this register, set "1" in RYD or RYE to write the frequency. After writing of frequency is completed, "1" is set in RXD or RXE in response to the input command. The setting range is 0 to 590.00 Hz (0.01 Hz increments). Write "59000" when setting 590.00 Hz. 	
RWw2	Link parameter extended setting/ Instruction code	Set the instruction code for execution of operation mode rewrite, parameter read/write, error reference, error clear, etc. (Refer to page 5-622.) Set "1" in RYF to execute the corresponding instruction after completing the register setting. "1" is set in RXF after completing the execution of the instruction. When a value other than "0 (100)" is set in Pr. 544, upper eight bits are link parameter extended setting. Example: When reading Pr.160, instruction code is H0200.	
RWw3	Write data	Set the data specified by the RWw2 instruction code (when required). Set "1" in RYF after setting RWw2 and this register. Set "0" when the write code is not required.	
RWw4	Monitor code 3	Set the monitor code to be monitored. By setting "1" in RYC after setting, the specified monitored data is stored in RWr4 to RWr7.	
RWw5	Monitor code 4		
RWw6	Monitor code5		
RWw7	Monitor code 6		
RWw8	Faults history No.	Set the number of previous faults you want to be able to read in the faults history. Up to 8 previous faults can be read (lower 8 bits is H00). Upper 8 bits: H00 (most recent fault) to H07 (8th most recent fault). When H08 to HFF is set to the lower 8 bits, the fault record becomes an undetermined value.	
RWw9	PID set point ^③	Set the PID set point. Setting range: "0 to 100.00%"	<ul style="list-style-type: none"> Input a value 100 times greater than the value to be set. For example, input "10000" when setting 100.00%. Refer to page 5-353 for details of PID control.
RWwA	PID measured value ^③	Set the PID measured value. Setting range: "0 to 100.00%"	
RWwB	PID deviation ^③	Set the PID deviation. Setting range: "-100.00% to 100.00%"	
RWw10, RWw12, RWw14, RWw16, RWw18	Link parameter extended setting/ Instruction code	Set an instruction code (refer to page 5-622) for an operation such as operation mode switching, parameter read/write, error reference, error clear, etc. The instructions are executed in the following order by setting "1" in RYF after completing the register setting: RWw2, 10, 12, 14, 16, then 18. After completing the execution up to RWw18, "1" is set in RXF. Set HFFFF to disable an instruction by RWw10 to 18. (RWw2 is always executed.) Set the link parameter extended setting in the upper eight bits. Example: When reading Pr.160, instruction code is H0200.	
RWw11, RWw13, RWw15, RWw17, RWw19	Write data	Set the data specified by the instruction code of RWw10, 12, 14, 16, and 18 (when required). RWw10 and 11, 12 and 13, 14 and 15, 16 and 17, 18 and 19 correspond each other. Set "1" in RYF after setting the instruction codes (RWw10, 12, 14, 16, and 18) and the corresponding register. Set "0" when the write code is not required.	

Tab. 5-345: Remote register (master module → inverter)

- ① The display can be changed to rotations per minute according to the Pr. 37, and Pr. 144 settings. (Refer to page 5-196).
- ② When Pr. 541 "Frequency command sign selection" = "1", the setting value has either + or -. When the setting value is negative, the command is the inverse from the command.
Setting range: -327.68 Hz to 327.67 Hz (-327.68 to 327.67) 0.01 Hz increments. (Refer to page 5-611.)
- ③ When Pr.128 = "50, 51, 60, 61", they are valid.
If the data outside the range is set, the previous setting is retained. (Refer to page 5-353.)

- Remote register (from the inverter to the master module)
 - Remote register definition

Device No.	Signal	Description
RWr0	First monitor value	When "1" is set in RYC, the specified monitored data is set to the lower 8 bits of the monitor code (RWw0).
RWr1	Second monitor value (Output frequency)	When "0" is set to the upper 8 bits of the monitor code (RWw0), the current output frequency is always set. When a value other than "0" is set to the upper 8 bits of the monitor code (RWw0) while "1" is set in RYC, the monitor data specified by the upper 8 bits of the monitor code (RWw0) is set.
RWr2	Reply code (when Pr. 544 = 0)	When "1" is set in RYD or RYE, the reply code for the frequency setting command is set. When "1" is set in RYF, the reply code corresponding to the instruction code RWw2 is set. The value "0" is set for a normal reply and any digit other than "0" is set for data fault, mode error, etc. (Refer to page 5-621.)
	Reply code 1 (when Pr. 544 ≠ 0)	Lower 8 bits of RWr2 When "1" is set in RYD or RYE, the reply code for the frequency setting command is set. (Refer to page 5-621.)
	Reply code 2 (when Pr. 544 ≠ 0)	Upper 8 bits of RWr2 When "1" is set in RYF, the reply code corresponding to the instruction code RWw2 is set. (Refer to page 5-621.)
RWr3	Read data	For a normal reply, the reply data to the instruction specified by the instruction code is set.
RWr4	Third monitor value	When "1" is set in RYC, the monitored data specified by the monitor code (RWw4 to 7) is saved.
RWr5	Fourth monitor value	
RWr6	Fifth monitor value	
RWr7	Sixth monitor value	
RWr8	Fault record (fault data)	The fault data of faults history No. specified by RWw8 is stored in the lower 8bits. Faults history No. specified is echo backed to the upper 8 bits.
RWr9	Fault record (output frequency)	Output frequency of the faults history No. specified in RWw8 is stored.
RWrA	Fault record (output current)	Output current of the faults history No. specified in RWw8 is stored.
RWrB	Fault record (output voltage)	Output voltage of the faults history No. specified in RWw8 is stored.
RWrC	Fault record (energization time)	Energization time of the faults history No. specified in RWw8 is stored.
RWr10 to RWr19	Reply code	When "1" is set in RYF, the reply codes corresponding to the instruction code RWw10, 12, 14, 16, and 18 are set. The value "0" is set for a normal reply and other than "0" is set for data fault, mode error, etc. (Refer to page 5-621.)
	Read data	For a normal reply, the reply data to the instruction specified by the instruction code is set.

Tab. 5-346: Remote register (inverter → master module)

– Reply code definition

The reply to the instruction execution is set to RWr2, 10, 12, 14, 16, 18.

When executing the frequency setting (RYD, RYE) or instruction code execution (RYF), check the reply code (RWr2) in the remote register after execution.

	Data	Item	Alarm definition	Remarks
Reply code	H0000	Normal	No error (normal completion of instruction code execution)	<ul style="list-style-type: none"> • Reply code to RWr2 when Pr. 544 = 0 • Reply code to RWr10, 12, 14, 16, and 18 when Pr. 544 = 18
	H0001	Write mode error	Parameter write was attempted during operation other than a stop in the network operation mode.	
	H0002	Parameter selection error	Unregistered code number was set.	
	H0003	Setting range error	Set data is outside the permissible data range.	
Reply code 1	H00	Normal	No error (normal completion of instruction code execution)	Reply code to RWr2 when Pr. 544 ≠ 0
	H01	Write mode error	Parameter write was attempted during operation other than a stop in the network operation mode.	
	H03	Frequency command setting range error	The value outside the range is set.	
Reply code 2	H00	Normal	No error (normal completion of instruction code execution)	
	H01	Write mode error	Parameter write was attempted during operation other than a stop in the network operation mode.	
	H02	Parameter selection error	Unregistered code number was set.	
	H03	Setting range error	Set data is outside the permissible data range.	

Tab. 5-347: Reply codes

Instruction codes

Set the instruction code using a remote register (RWw). (Refer to page 5-619.)

The definition read by the instruction code is stored in the remote register (RWr). (Refer to page 5-620.)

Item	Read/Write	Instruction code	Description																																			
Operation mode	Read	H7B	H0000: Network operation mode H0001: External operation mode, External JOG operation mode H0002: PU operation mode, External/PU combined operation modes 1 and 2, PUJOG operation mode																																			
	Write	HFB	H0000: Network operation mode H0001: External operation mode, External JOG operation mode H0002: PU operation mode (Pr. 79 = „6“)																																			
Monitor	Output frequency / speed ①	Read	H6F	H0000 to HFFFF: Output frequency in 0.01Hz increments (The display can be changed to the rotations per minute using Pr. 37, and Pr. 144. (Refer to page 5-196.))																																		
	Output current	Read	H70	H0000 to HFFFF: Output current (hexadecimal). Increment 0.01 A / 0.1 A ③																																		
	Output voltage	Read	H71	H0000 to HFFFF: Output voltage (hexadecimal): Increments 0.1 V																																		
	Special monitor	Read	H72	H0000 to HFFFF: Check the data of the monitor selected by the instruction code HF3.																																		
	Special monitor selection number	Read	H73	H01 to HFF: Selection of the monitored item (monitor code). Refer to monitor code (page 5-624).																																		
		Write	HF3 ②																																			
	Faults history	Read	H74 to H77	H0000 to HFFFF: Two latest fault records																																		
				H74	<table border="1"> <tr> <td style="text-align: center;">b15</td> <td style="text-align: center;">b8 b7</td> <td style="text-align: center;">b0</td> </tr> <tr> <td style="text-align: center;">Second fault in past</td> <td style="text-align: center;">Latest fault</td> <td></td> </tr> </table>	b15	b8 b7	b0	Second fault in past	Latest fault																												
				b15	b8 b7	b0																																
				Second fault in past	Latest fault																																	
H75				<table border="1"> <tr> <td style="text-align: center;">Fourth fault in past</td> <td style="text-align: center;">Third fault in past</td> </tr> </table>	Fourth fault in past	Third fault in past																																
Fourth fault in past	Third fault in past																																					
H76	<table border="1"> <tr> <td style="text-align: center;">Sixth fault in past</td> <td style="text-align: center;">Fifth fault in past</td> </tr> </table>	Sixth fault in past	Fifth fault in past																																			
Sixth fault in past	Fifth fault in past																																					
H77	<table border="1"> <tr> <td style="text-align: center;">Eighth fault in past</td> <td style="text-align: center;">Seventh fault in past</td> </tr> </table>	Eighth fault in past	Seventh fault in past																																			
Eighth fault in past	Seventh fault in past																																					
<p>Faults history display example (instruction code H74) With the read data H30A0 (Last fault: THT) (Present fault: OPT)</p> <table border="1"> <tr> <td style="text-align: center;">b15</td> <td style="text-align: center;">b8 b7</td> <td style="text-align: center;">b0</td> </tr> <tr> <td style="text-align: center;">0</td><td style="text-align: center;">0</td><td style="text-align: center;">1</td><td style="text-align: center;">1</td><td style="text-align: center;">0</td><td style="text-align: center;">0</td><td style="text-align: center;">0</td><td style="text-align: center;">0</td><td style="text-align: center;">1</td><td style="text-align: center;">0</td><td style="text-align: center;">1</td><td style="text-align: center;">0</td><td style="text-align: center;">0</td><td style="text-align: center;">0</td><td style="text-align: center;">0</td><td style="text-align: center;">0</td><td style="text-align: center;">0</td> </tr> <tr> <td colspan="8" style="text-align: center;">Last fault (H30)</td> <td colspan="8" style="text-align: center;">Present fault (HA0)</td> </tr> </table> <p>(Refer to page 6-5 for details on fault record read data.)</p>			b15	b8 b7	b0	0	0	1	1	0	0	0	0	1	0	1	0	0	0	0	0	0	Last fault (H30)								Present fault (HA0)							
b15	b8 b7	b0																																				
0	0	1	1	0	0	0	0	1	0	1	0	0	0	0	0	0																						
Last fault (H30)								Present fault (HA0)																														
Set frequency (RAM)	Read	H6D	Read the set frequency/speed from the RAM or EEPROM. H0000 to HE678: Set frequency in 0.01Hz increments (The display can be changed to the rotations per minute using Pr. 37, and Pr. 144. (Refer to page 5-196.))																																			
Set frequency (EEPROM)		H6E																																				
Set frequency (RAM) ④	Write	HED	Write the set frequency/speed into the RAM or EEPROM. H0000 to HE678 (0 to 590.00 Hz): frequency in 0.01 Hz increments (The display can be changed to the rotations per minute using Pr. 37, and Pr. 144. (Refer to page 5-196.)) To change the set frequency consecutively, write data to the inverter RAM. (Instruction code: HED)																																			
Set frequency (RAM and EEPROM) ④		HEE																																				

Tab. 5-348: Setting of the instruction codes and data (1)

Item	Read/Write	Instruction code	Description
Parameter	Read	H00 to H63	<ul style="list-style-type: none"> Refer to the instruction code (page A-5) to read and write as required. Write to Pr. 77 and Pr. 79 is disabled. When setting Pr.100 and later, set link parameter extended setting. Set 65520 (HFFF0) as a parameter value "8888" and 65535 (HFFFF) as "9999". When changing the parameter values frequently, set "1" in Pr. 342 to write them to the RAM. (Refer to page 5-459).
	Write	H80 to HE3	
Faults history batch clear	Write	HF4	H9696: Clears the faults history as a batch.
Parameter clear All parameter clear	Write	HFC	<p>All parameters return to initial values. Whether to clear communication parameters or not can be selected according to the data.</p> <ul style="list-style-type: none"> Parameter clear H9696: Communication parameters are cleared. H5A5A: Communication parameters are not cleared. ⑤ All parameter clear H9966: Communication parameters are cleared. H55AA: Communication parameters are not cleared. ⑤ <p>For the details of whether or not to clear parameters, refer to page A-5. When a clear is performed with H9696 or H9966, communication related parameter settings also return to the initial values. When resuming the operation, set the parameters again. Performing a clear will clear the instruction code HEC, HF3, and HFF settings.</p>
Inverter reset	Write	HFD	H9696: Resets the inverter.
Link parameter extended setting ⑥	Read	H7F	<p>H00 to H0D: Parameter description is changed according to the instruction code (extended) setting. For details of the instruction code (extended) settings, refer to the instruction code (page A-5).</p>
	Write	HFF	
Second parameter changing ⑦	Read	H6C	<p>Read or write of bias and gain parameters (instruction codes H5E to H61 and HDE to HE1 with the link parameter extended setting = "1", H11 to H23 and H91 to HA3 with the link parameter extended setting = "9").</p> <p>H00: Frequency ⑧ H01: Analog value set in parameters H02: Analog value input from the terminal</p>
	Write	HEC	

Tab. 5-348: Setting of the instruction codes and data (2)

- ① When "100" is set in Pr. 52 "Operation panel main monitor selection", set frequency is monitored during a stop and output frequency is monitored during running.
- ② Write data is in hexadecimal, and only the last two digits are valid. (The first two digits are ignored.)
- ③ Differs according to capacities.
- ④ Setting from remote register (RWw1) is also available.
- ⑤ Turning OFF the power supply while clearing parameters with H5A5A or H55AA sets back the communication parameter settings back to the initial values.
- ⑥ Setting is valid only when Pr. 544 = "0". When Pr. 544 ≠ "0", set using RWw2 or RWw10, 12, 14, 16, or 18. (Refer to page 5-619.)
- ⑦ Reading or writing is available when the link parameter extended setting = "1 or 9".
- ⑧ Gain frequencies can be written using Pr. 125 (instruction code H99) and Pr. 126 (instruction code H9A) also.

NOTE

When a 32-bit parameter setting or monitored value is read and the read value exceeds HFFFF, the reply data will be HFFFF.

Monitor codes

Information about the inverter can be monitored by setting the special monitor selection No. of the instruction code and monitor code using the remote registers, RWw0 and RWw4 to 7.

- For the monitor code (RWw0), select the first monitor description (RWr0) from the lower 8 bits and the second monitor description (RWr1) from the upper 8 bits.
 Example:
 When output current is selected for the first monitor (RWr0) and running speed is selected for the second monitor (RWr1), the monitor code (RWw0) is H0602.
- When Pr. 544 = "12, 14, or 18", descriptions of monitor codes 3 (RWw4) to 6 (RWw7) can be selected.

Monitor code	Second monitor description (first 8 bits)	First, third to sixth monitor description (last 8 bits)	Increments
H00	Output frequency	No monitoring (monitor value is 0)	0.01 Hz
H01	Output frequency		0.01 Hz
H02	Output current		0.01 A/0.1 A
H03	Output voltage		0.1 V
...

Tab. 5-349: Codes for selecting monitor items

NOTES

- The monitor codes from H01 and up and their contents are the same as those of the RS-485 communication dedicated monitor.
 For the details of the monitor code and monitor description, refer to page 5-198.
- When the remote registers RWw0 and RWw4 to 7 are used for monitoring, H00 (output frequency), H01 (output frequency), and H05 (set frequency) always indicate the frequency regardless of the settings of Pr. 37, and Pr. 144.

5.18.4 Programming examples

This section provides programming examples for controlling the inverter with sequence programs.

Item	Program example	Refer to page
Reading the inverter status	Reading the inverter status from the buffer memory of the master station	5-627
Setting the operation mode	Selecting the Network operation mode	5-628
Setting the operation commands	Commanding the forward rotation and middle speed signals	5-629
Setting the monitoring function	Monitoring the output frequency	5-629
Reading a parameter value	Reading the value of Pr. 7 "Acceleration time"	5-630
Writing a parameter value	Setting "3.0 s" in Pr. 7 "Acceleration time"	5-631
Setting the running frequency (running speed)	Setting to 50.00 Hz	5-632
Reading the fault records	Reading the inverter faults	5-633
Inverter reset	Perform inverter reset at an inverter alarm occurrence.	5-633

- System configuration for programming examples (when the MELSEC iQ-R series programmable controller is used)

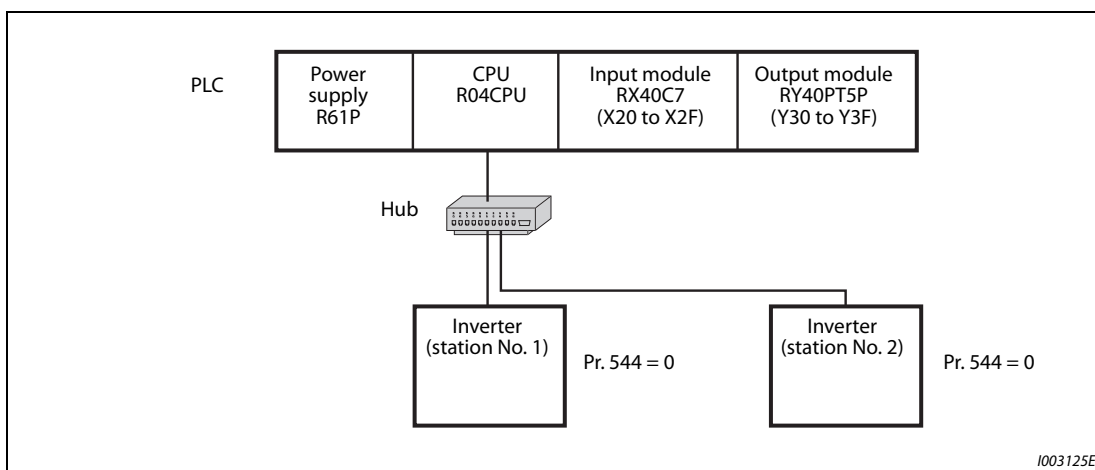


Fig. 5-287: CC-Link IE Field Network Basic with one PLC and two inverters

- In the programming examples, network parameters of the master station are set as below.

Item	Setting conditions
Start I/O No.	0000
Type	Master
All connect count	2
Remote input (RX)	X1000
Remote output (RY)	Y1000
Remote register (RWr)	W0
Remote register (RWw)	W100
Retry count	3

Tab. 5-350: Network parameters of the master station

- The relation between the device of the programmable controller CPU and remote I/O (RX, RY) of the remote device station is as follows: The devices used actually are indicated in shaded regions.

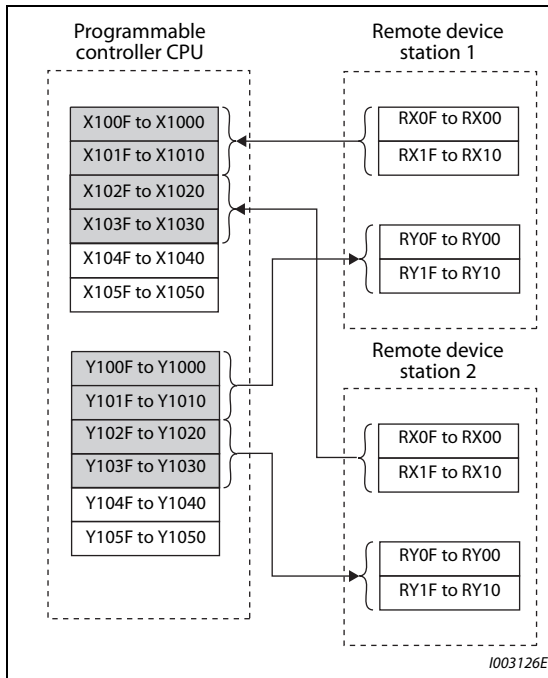


Fig. 5-288:
Remote I/O

- The relation between the device of the programmable controller CPU and remote register (RWw, RWr) of the remote device station is as follows: The devices used actually are indicated in shaded regions.

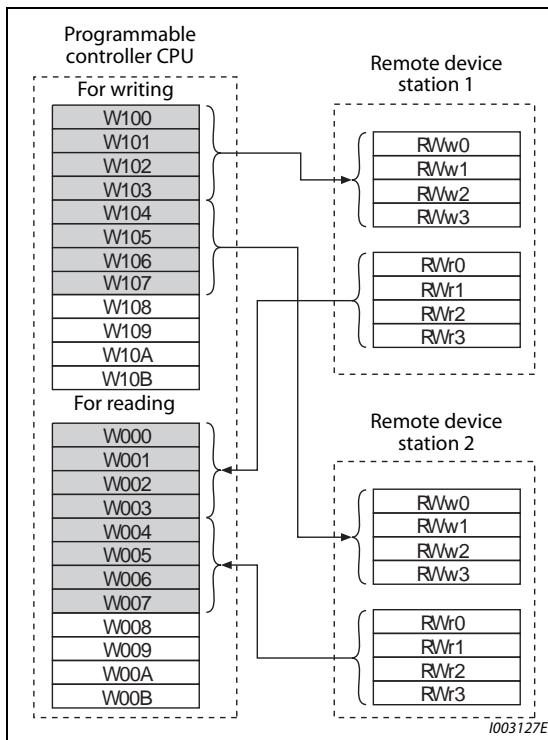


Fig. 5-289:
Remote registers

Programming example for reading the inverter status

The following program turns ON the signal Y00 of the output unit when the station 1 inverter starts running.

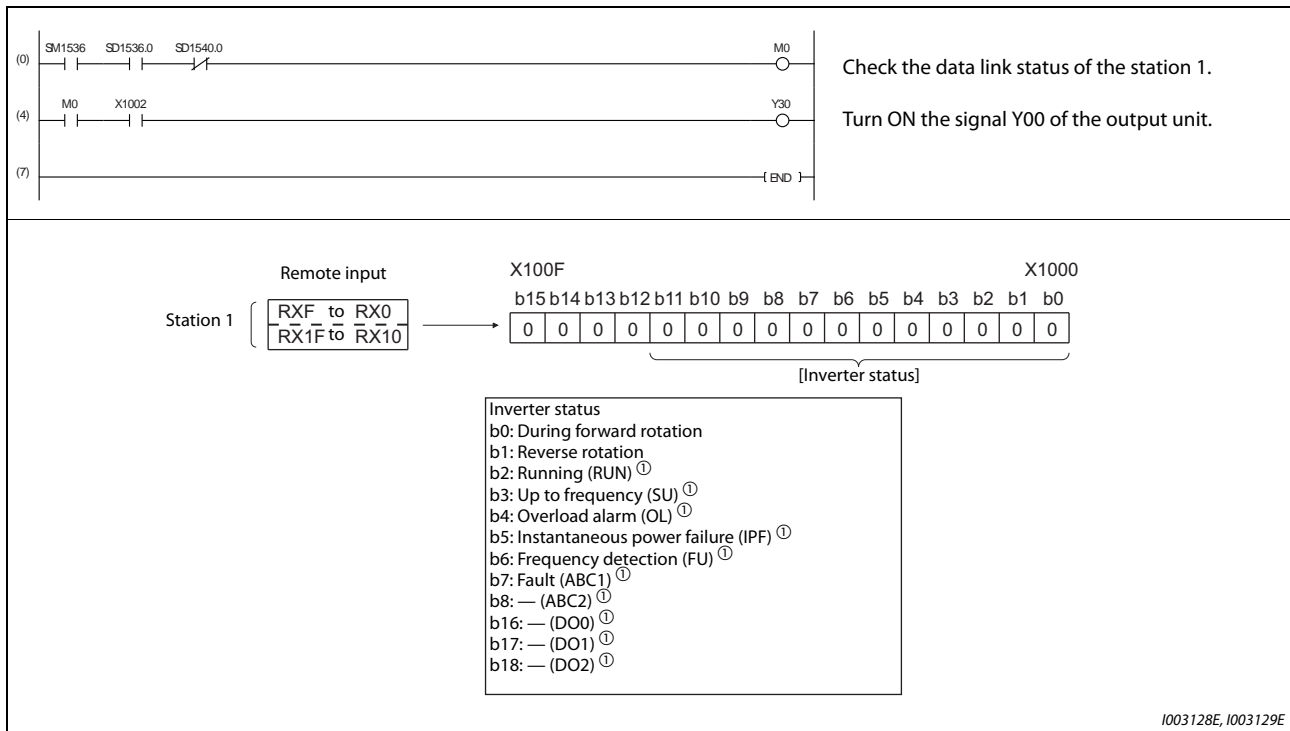


Fig. 5-290: Programming example 1

① These signals are initial values. Output signals can be changed using Pr. 190 to Pr. 196, Pr. 313 to Pr. 315 (output terminal function selection).

Programming example for setting the operation mode

The following explains a program to write various data to the inverter.

The following program changes the operation mode of the station 1 inverter to network operation.

- Operation mode write code: HFB (hexadecimal)
- Network operation set data: H0000 (hexadecimal) (Refer to page 5-622.)
- The reply code at the time of instruction code execution is set to D2. (Refer to page 5-621.)

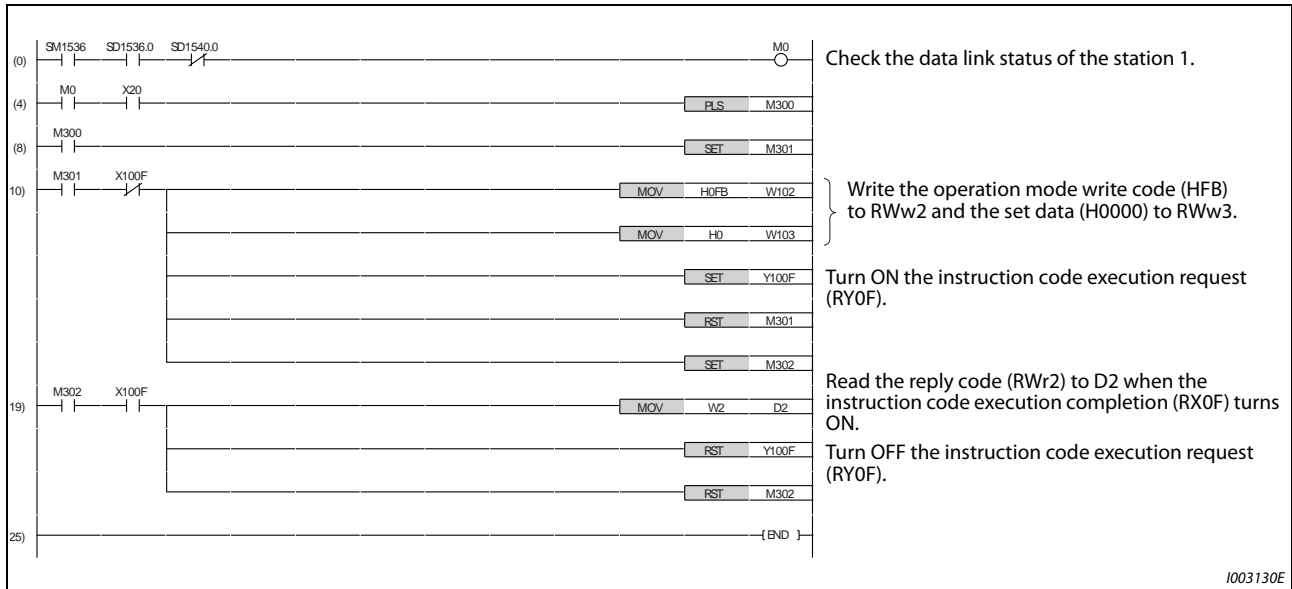


Fig. 5-291: Programming example 2

1003130E

Programming example for setting the operation commands

The following program gives a forward rotation command and middle-speed operation command to the station 1 inverter

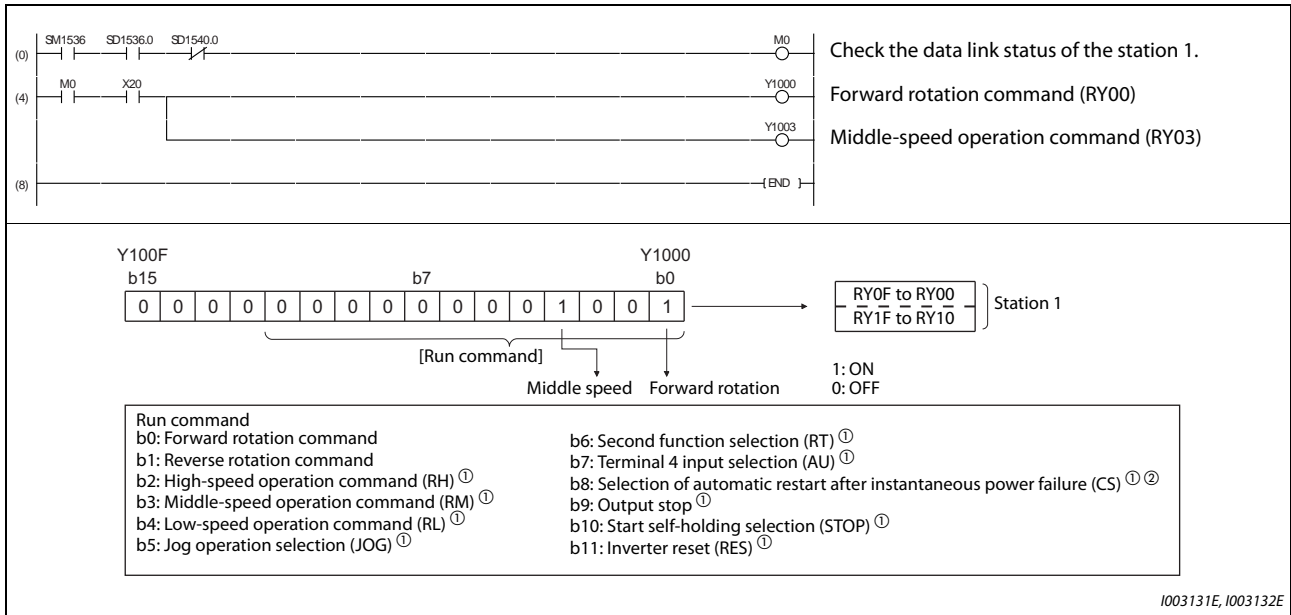


Fig. 5-292: Programming example 3

- ① These signals are initial values. Input signals can be changed using Pr. 180 to Pr. 189 (input terminal function selection).
Note that some of the signals do not receive a command from the programmable controller depending on the setting.
- ② No function is assigned in the initial setting.

Programming example for monitoring the output frequency

The following explains a program to read monitor functions of the inverter.

- The following program reads the output frequency of the station 1 inverter to output to D1.
- Output frequency read code: H0001 (hexadecimal)
(For the monitor codes, refer to page 5-198.)

Example: The output frequency of 60 Hz is indicated as "H1770 (6000)".

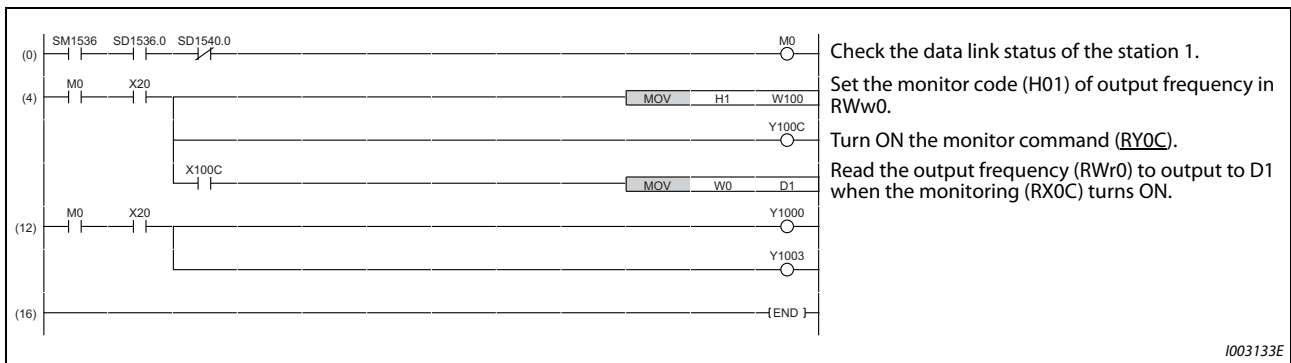


Fig. 5-293: Programming example 4

Programming example for parameter reading

The following program reads Pr. 7 "Acceleration time" of the station 1 inverter to output to D1.

- Pr. 7 "Acceleration time" reading instruction code: H07 (hexadecimal)
- Refer to page A-5 for details of the parameter instruction code.
- The reply code at the time of instruction code execution is set to D2. (Refer to page 5-621.)

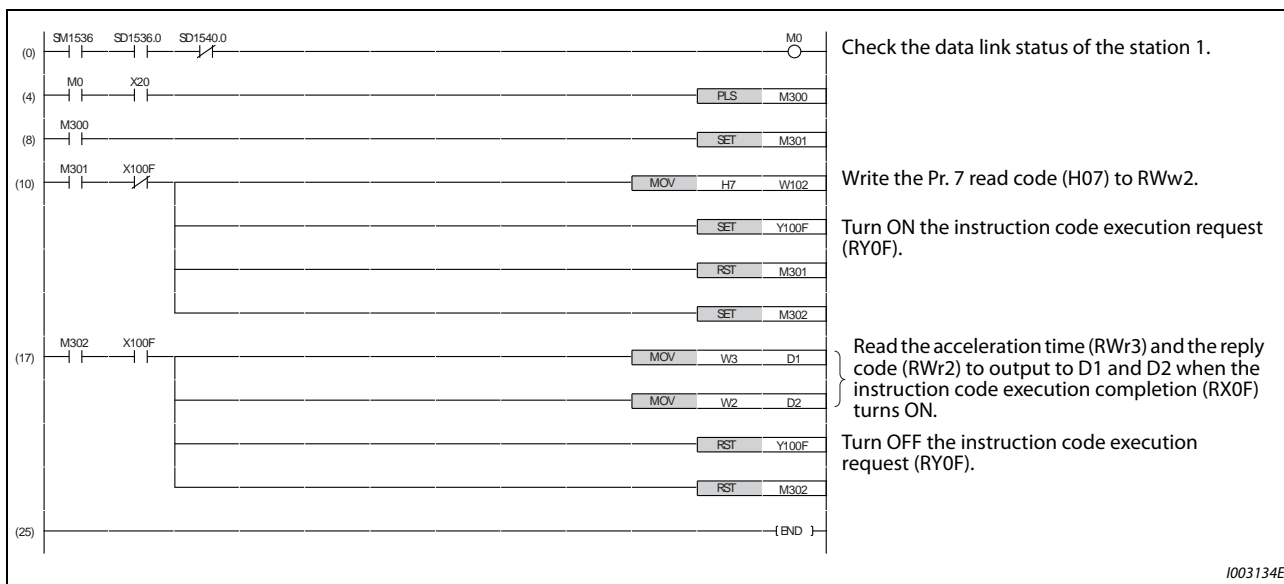


Fig. 5-294: Programming example 5

NOTE

For the parameter assigned the number of 100 or higher, change the link parameter extended setting (set it to other than H00). Refer to page A-5 for the settings.

Programming example for parameter writing

The following program changes the setting value in Pr. 7 "Acceleration time" of the station 1 inverter to 3.0 s.

- Acceleration time writing instruction code: H87 (hexadecimal)
- Acceleration time setting data: K30 (decimal)

For the details of instruction codes of each parameter, refer to page A-5.

The reply code at the time of instruction code execution is set to D2. (Refer to page 5-821.)

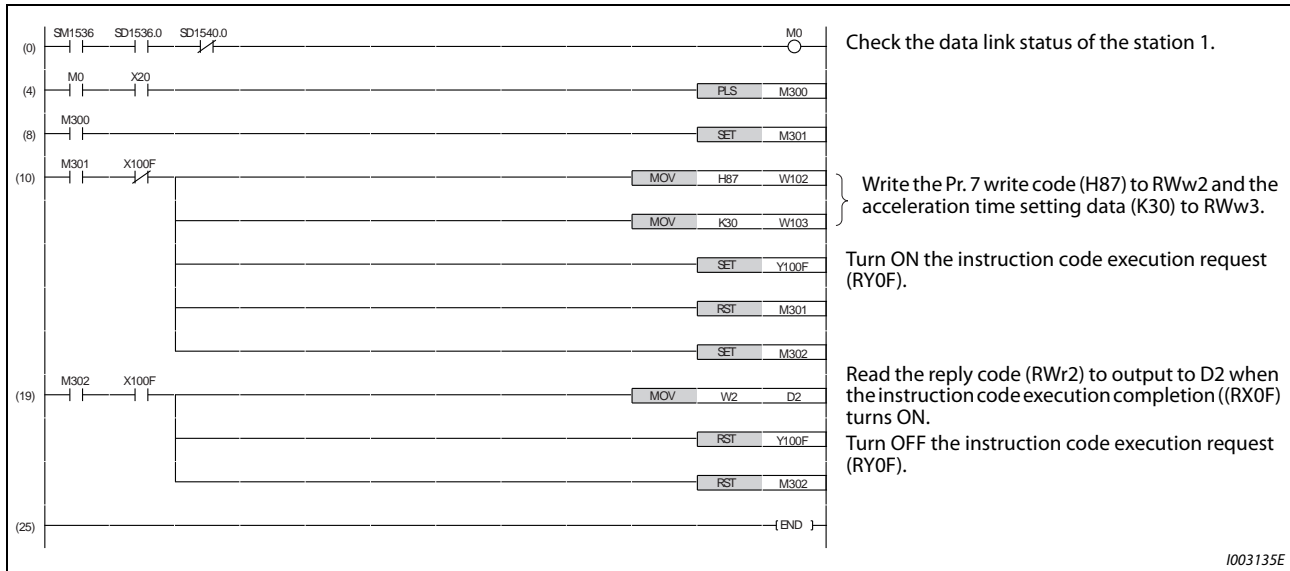


Fig. 5-295: Programming example 5

NOTES

For the parameter assigned the number of 100 or higher, change the link parameter extended setting (set it to other than H00). Refer to page A-5 for the settings.

For other functions, refer to the instruction codes on page 5-622.

Programming example for setting the running frequency

The following program changes the running frequency of the station 1 inverter to 50.00 Hz.

- Set frequency: K5000 (decimal)
- The reply code at the time of instruction code execution is set to D2. (Refer to page 5-821.)

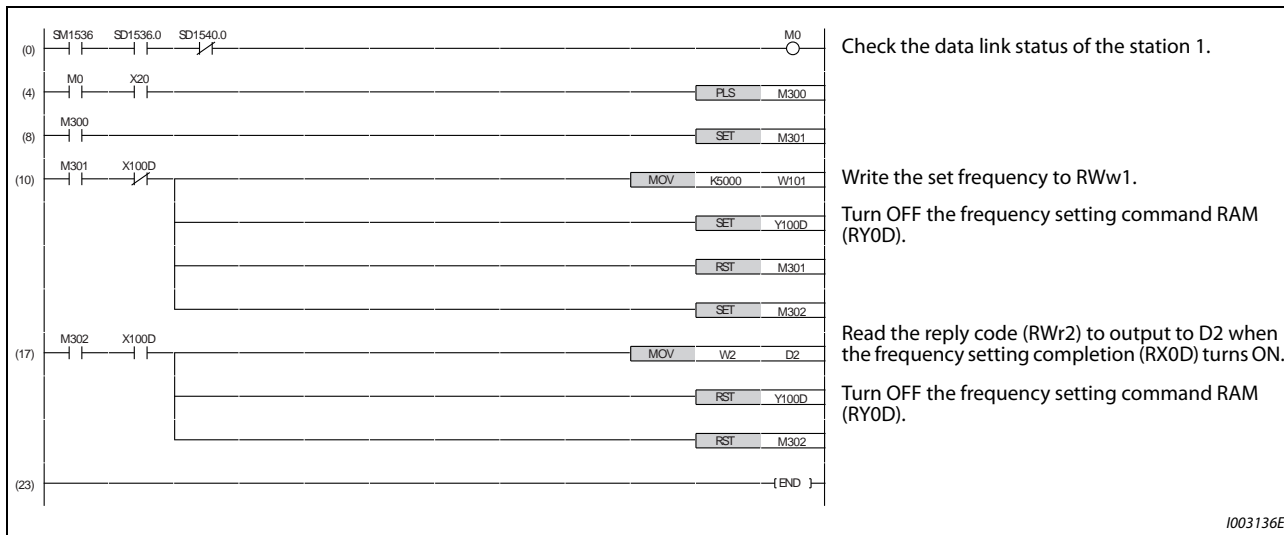


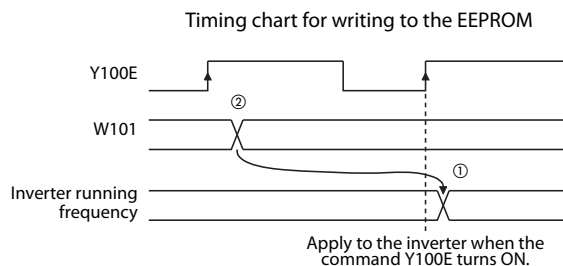
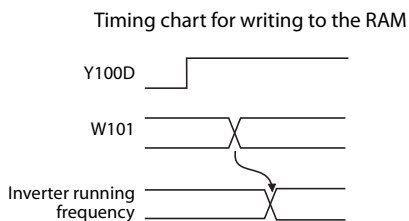
Fig. 5-296: Programming example 6

NOTES

To change the running frequency continuously using a programmable controller, check that the frequency (speed) setting completion (for example, X100D) turns ON, and the reply code from the remote register is H0000. Then change the setting data (for example, W101) continuously.

To write the running frequency to the EEPROM, change the following points in the program shown in fig. 5-296:

- Frequency setting command: Y100D → Y100E
- Frequency setting completion: X100D → X100E



- ① To the EEPROM, a writing is performed only once after the command Y100E turns ON.
- ② If the set data is changed at the command Y100E ON, the change is not applied to the inverter.

Programming example for fault record reading

The following program reads the fault records of the station 1 inverter to output to D1.

- Faults history No. 1 and 2 reading instruction code: H74 (hexadecimal)

For the error code, refer to page 6-5.

The reply code at the time of instruction code execution is set to D2. (Refer to page 5-821.)

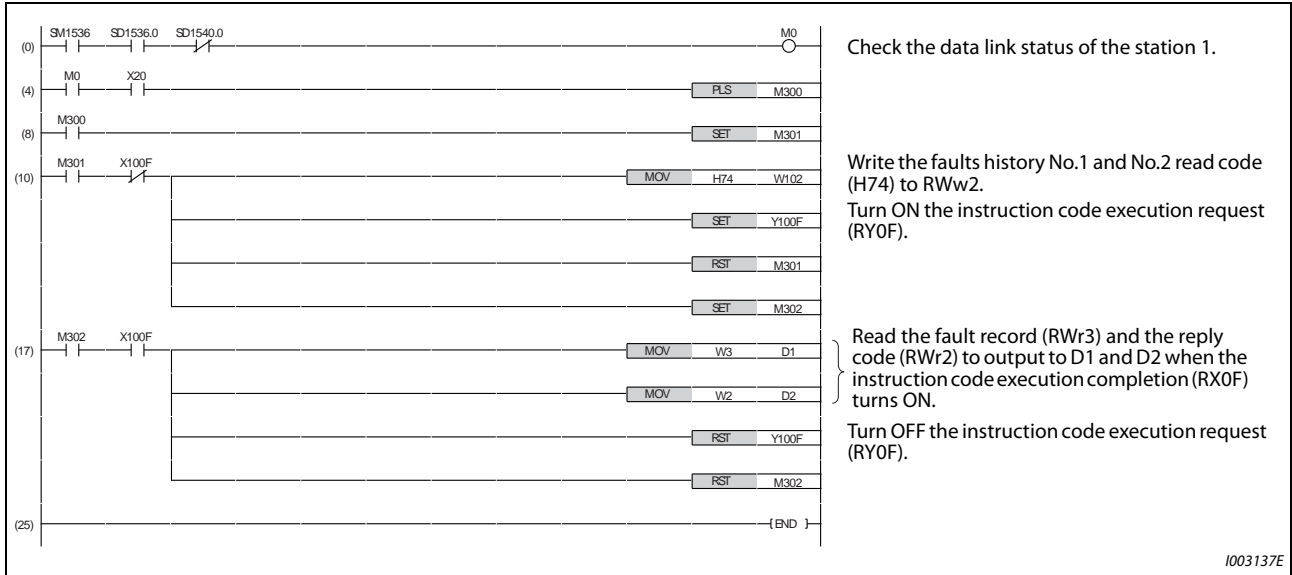


Fig. 5-297: Programming example 7

Programming example for resetting the inverter at an inverter fault

The following program resets the station 1 inverter at an inverter fault.

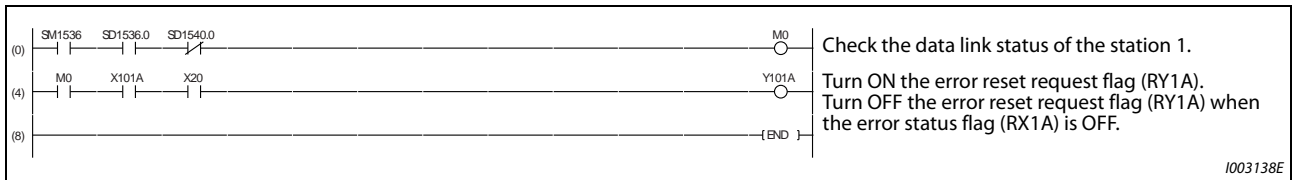


Fig. 5-298: Programming example 8

NOTES

- The inverter reset with the flag RY1A shown above is enabled at an inverter fault only.
- When Pr. 349 "Communication reset selection" = "0", an inverter reset can be made in any operation mode.
- When using the instruction code execution request (RYF) with the instruction code (HFD) and data (H9696) to reset the inverter, set a value other than "0" in Pr. 340 "Communication startup mode selection" or change the operation mode to the Network operation mode. (Refer to program example 2 on page 5-628).
- Refer to page 5-466 for operation conditions of inverter reset.

5.18.5 Instructions

Operating and handling instructions

- The inverter only accepts the commands from the programmable controller during operation using the CC-Link IE Field Network Basic. The run command from external and parameter unit is ignored.
- If different inverters have the same station number, the communication cannot be performed properly.
- The inverter protective function (E.EHR) is activated if data communication stops for more than the time set in Pr. 1432 "Ethernet communication check time interval" due to a programmable controller fault, a break in the Ethernet cable etc. during operation through CC-Link IE Field Network Basic.
- If the programmable controller (master station) is reset during CC-Link IE Field Network Basic operation or if the programmable controller is powered OFF, data communication stops and the inverter protective function (E.EHR) is activated.
To reset the programmable controller (master station), switch the operation mode to the External operation once, then reset the programmable controller.
- When Pr. 340 = "0 (initial value)", any inverter whose main power is restored is reset to return to the External operation mode. To resume the Network operation, therefore, set the operation mode to the Network operation using the programmable controller program.
Set a value other than "0" in Pr. 340 to start in the Network operation mode after inverter reset.
For the details of Pr. 340 refer to page 5-128.

Troubleshooting

Description	Check point
Operation mode does not switch to the Network operation mode	Check that the Ethernet cable is installed correctly. (Check for contact fault, break in the cable, etc.)
	Check that the inverter is in the External operation mode.
	Check that the operation mode switching program is running.
	Check that the operation mode switching program has been written correctly.
Inverter does not start in the Network operation mode	Check that the inverter starting program is running.
	Check that the inverter starting program has been written correctly.
	Check that Pr. 338 "Communication operation command source" is not set to External.

Tab. 5-351: Error descriptions and troubleshooting

Parameters referred to			
Pr. 37	Speed display	=>	page 5-196
Pr. 144	Speed setting switchover	=>	page 5-196

5.19 Inverter-to-inverter link function (FR-F800-E)

The inverter-to-inverter link function enables communication between multiple inverters connected by Ethernet in a small-scale system by using the I/O devices and special registers of the PLC function.

The inverter-to-inverter link function is enabled by simply setting Pr. 1124 "Station number in inverter-to-inverter link" and Pr. 1125 "Number of inverters in inverter-to-inverter link system".

Pr.	Name	Initial value	Setting range	Description
1124 N681 ①	Station number in inverter-to-inverter link	9999	0 to 5	Set the station number for the inverter-to-inverter link function.
			9999	Inverter-to-inverter link function disabled
1125 N682 ①	Number of inverters in inverter-to-inverter link system	2	2 to 6	Set the total number of inverters used for the inverter-to-inverter link function.

① The setting is applied after an inverter reset or power-ON.

Communication specifications

Item	Description	
Transmission speed	100 Mbps (Do not use the function at 10 Mbps.)	
Connectable units	Master: 1 Slave: up to 5	
Topology	Star	
Maximum number of links per station	Output device	16 (2 bytes)
	Special register	8 (16 bytes)

Tab. 5-352: Inverter-to-inverter link function communication specifications

Inverter-to-inverter linkup (LNK) signal

The inverter-to-inverter linkup (LNK) signal is available to check that the master-slave communication is established.

Master/slave	Signal ON condition	Signal OFF condition
Master	The inverter receives a response from all the slave inverters during initial communication.	<ul style="list-style-type: none"> The inverter does not receive a response from a slave in communication. The inverter detects a signal loss.
Slave	The inverter returns a response to the master.	<ul style="list-style-type: none"> The inverter does not receive any request from the master. The inverter detects a signal loss.

Tab. 5-353: Signal ON/OFF condition for LNK signal

To use the LNK signal, set "242 (positive logic) or 342 (negative logic)" in any of Pr. 190 to Pr. 196 (Output terminal function selection) to assign the function to the output terminal.

NOTE

Changing the terminal assignment using Pr. 190 to Pr. 196 (Output terminal function selection) may affect the other functions. Set parameters after confirming the function of each terminal.

Setting procedure

- ① Set a value other than "0" in Pr. 414 "PLC function operation selection" to enable the PLC function.
- ② To set the inverter as the master, set "0" in Pr. 1124 "Station number in inverter-to-inverter link", and to set the inverter as a slave, select a station number from 1 to 5 and set the number in Pr. 1124.
- ③ Set the total number of inverters used for the inverter-to-inverter link function in Pr. 1125 "Number of inverters in inverter-to-inverter link system". For example, set "3" in Pr. 1125 when two slave inverters and the master inverter are used.
- ④ Use FR Configurator2 to write sequence programs to the master inverter.

NOTES

Use different station numbers for different devices. (If different devices have the same station number, the communication cannot be performed properly.)

Set consecutive numbers for the station numbers. (Do not skip any numbers like 1, 2, then 4.)

When Pr. 1124 is set to a value equal to or larger than the value set in Pr. 1125, normal communication is not available.

Use the Inverter-to-inverter linkup (LNK) signal to check that the master-slave communication is established. (For the details of the LNK signal, refer to page 5-635.)

To detect the interruption of the inverter-to-inverter link communication and activate the protective function, set Pr. 997 "Fault initiation" in advance, and create and execute a sequence program to activate the protective function by the input of the signal loss detection signal from the external sensor.

For the details of the PLC function, refer to the PLC Function Programming Manual and the Instruction Manual of FR Configurator2.

For the details of FR Configurator2, refer to the Instruction Manual of FR Configurator2.

System configuration

The following shows the system configuration for using the inverter-to-inverter link function. The master inverter can communicate with the slave inverters through one or two hubs (refer to the description of Pr. 1124 for the master/slave setting).

(Communication using the inverter-to-inverter function is not available for the inverters directly connected to the router.)

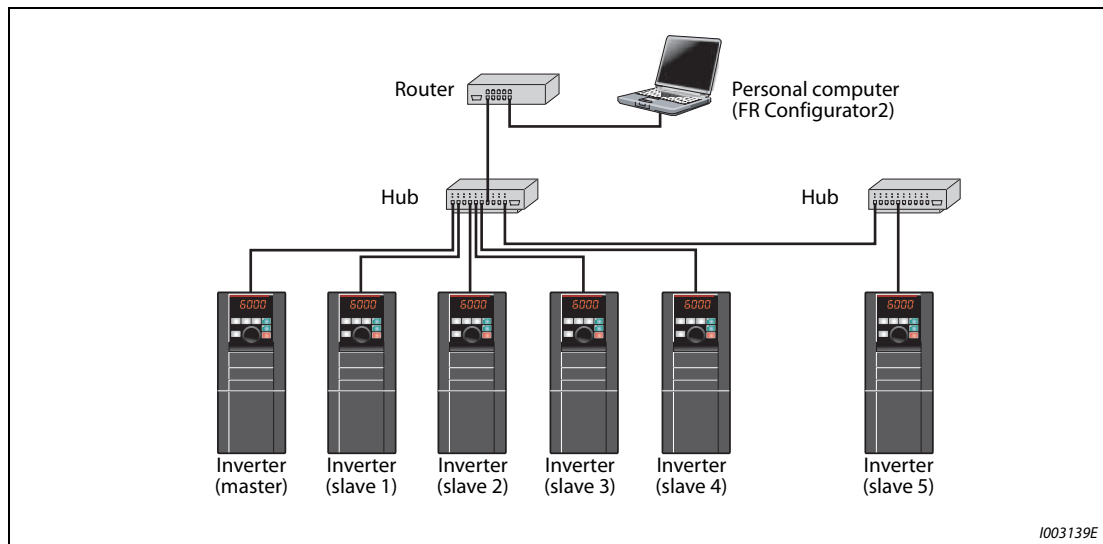


Fig. 5-299: System configuration of the inverter-to-inverter link function

Device map

The following shows the I/O devices and special registers used for the inverter-to-inverter link function. (For the details of the other I/O devices and special registers, refer to the PLC Function Programming Manual.)

● I/O device map (master)

Device No.	Name	Device No.	Name
X40 to X4F	Inverter-to-inverter link input (from slave 1 to master)	Y40 to Y4F	Inverter-to-inverter link output (from master to slave 1)
X50 to X5F	Inverter-to-inverter link input (from slave 2 to master)	Y50 to Y5F	Inverter-to-inverter link output (from master to slave 2)
X60 to X6F	Inverter-to-inverter link input (from slave 3 to master)	Y60 to Y6F	Inverter-to-inverter link output (from master to slave 3)
X70 to X7F	Inverter-to-inverter link input (from slave 4 to master)	Y70 to Y7F	Inverter-to-inverter link output (from master to slave 4)
X80 to X8F	Inverter-to-inverter link input (from slave 5 to master)	Y80 to Y8F	Inverter-to-inverter link output (from master to slave 5)

Tab. 5-354: I/O devices for the master inverter

● I/O device map (slave)

Device No.	Name	Device No.	Name
X40 to X4F	Inverter-to-inverter link input (from master to slave)	Y40 to Y4F	Inverter-to-inverter link output (from slave to master)

Tab. 5-355: I/O devices for the slave inverter

● Special register (slave)

Device No.	Name	Description
SD1470 to SD1477	Inverter-to-inverter link receive data 1 to 8 (master)	Receive data 1 to 8 from master
SD1478 to SD1485	Inverter-to-inverter link send data 1 to 8 (master)	Send data 1 to 8 to master
SD1486 to SD1549	For manufacturer setting. Do not set.	

Tab. 5-358: Special registers for the slave inverter

Troubleshooting

Condition	Possible cause	Countermeasure
Communication is not established.	The same station number is assigned to multiple inverters.	Set Pr.1124 correctly.
	The station numbers are not consecutive.	Set Pr. 1124 so that the station numbers are consecutive.
	The specified number of inverters in the system is not correct. (Pr. 1124 is set to a value equal to or larger than the value set in Pr. 1125.)	Set Pr. 1125 correctly.
	The connection is half-duplex.	Use full-duplex connection. (When Pr. 1426 "Link speed and duplex mode selection" = "0 (initial value)", check that the hub and the Ethernet cable are compatible with full-duplex connection.)
	The inverter is not reset after Pr. 1124 and Pr. 1125 are set.	Reset the inverter.
	The PLC function is disabled.	Set a value other than "0" in Pr. 414 to enable the PLC function.
A command sent by the master is not applied to a slave.	The same station number is assigned to multiple inverters.	Set Pr. 1124 correctly.

Tab. 5-359: Inverter-to-inverter link troubleshooting

6 Protective functions

NOTE

Upon delivery the FR-F800-E inverter models are not equipped with the RS-485 terminal block.

6.1 Inverter fault and alarm indications

- When the inverter detects a fault, depending on the nature of the fault, the operation panel displays an error message or warning, or a protective function activates to trip the inverter.
- When any fault occurs, take an appropriate corrective action, then reset the inverter, and resume the operation.
Restarting the operation without a reset may break or damage the inverter.
- When a protective function activates, note the following points.

Item	Description
Fault output signal	Opening the magnetic contactor (MC) provided on the input side of the inverter at a fault occurrence shuts off the control power to the inverter, therefore, the fault output will not be retained.
Fault or alarm indication	When a protective function activates, the operation panel displays a fault indication.
Operation restart method	While a protective function is activated, the inverter output is kept shutoff. Reset the inverter to restart the operation.

Tab. 6-1: Behaviour when a protective function is activated

- Inverter fault or alarm indications are categorized as below.

Displayed item	Description
Error message	A message regarding an operational fault and setting fault by the operation panel and the parameter unit. The inverter does not trip.
Warning	The inverter does not trip even when a warning is displayed. However, failure to take appropriate measures will lead to a fault.
Alarm	The inverter does not trip. An Alarm (LF) signal can also be output with a parameter setting.
Fault	A protective function activates to trip the inverter and output a Fault (ALM) signal.
Other message	A message regarding the operational status of the inverter is displayed. The inverter does not trip.

Tab. 6-2: Categories of faults and alarms

NOTE

The past eight faults can be displayed on the operation panel. (Faults history)
(For the operation, refer to page 6-3.)

6.2 Reset method for the protective functions

Reset the inverter by performing any of the following operations. Note that the accumulated heat value of the electronic thermal relay function and the number of retries are cleared (erased) by resetting the inverter.

The inverter recovers about 1 s after the reset is released.

- On the operation panel, press STOP/RESET key to reset the inverter. (This may only be performed when a fault occurs. Refer to page 6-18 of the Instruction Manual for faults.)

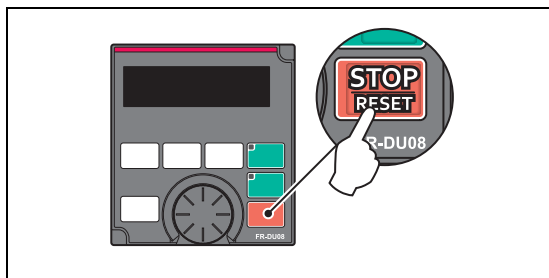


Fig. 6-1:
Resetting the inverter by using the operation panel

I002451E

- Switch the power OFF once, then switch it ON again.

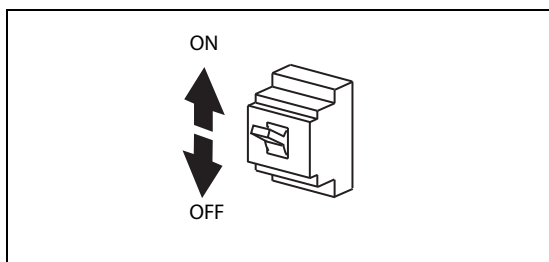


Fig. 6-2:
Resetting the inverter by switching the power supply off and on

I001297E

- Turn ON the reset signal (RES) for 0.1 s or more. (If the RES signal is kept ON, "Err" appears (flickers) to indicate that the inverter is in a reset status.)

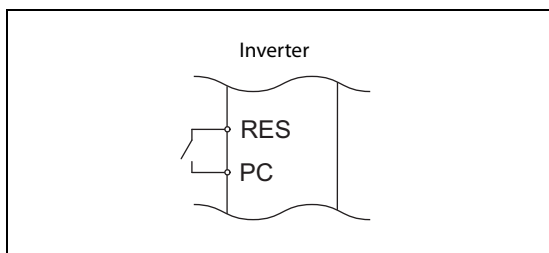


Fig. 6-3:
Resetting the inverter by turning on the RES signal

I002452E_G

NOTE

OFF status of the start signal must be confirmed before resetting the inverter fault. Resetting an inverter fault with the start signal ON restarts the motor suddenly.

6.3 Check and clear of the faults history

The operation panel stores the fault indications which appears when a protective function is activated to display the fault record for the past eight faults. (Faults history)

6.3.1 Check for the faults history

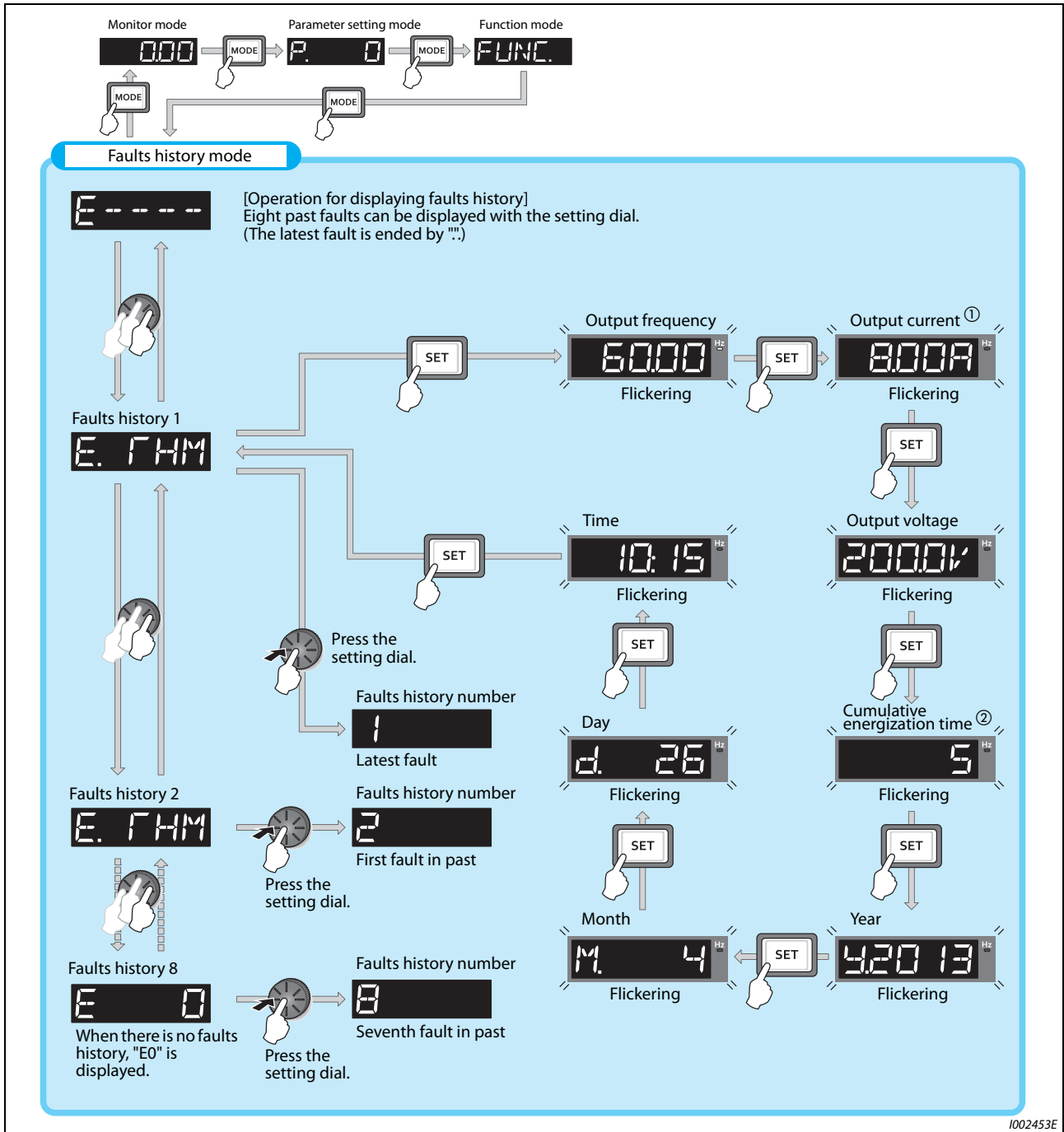










Fig. 6-4: Displaying the alarm list and the status values for the time of the alarm

- ① When an overcurrent trip occurs by an instantaneous overcurrent, the monitored current value saved in the faults history may be lower than the actual current that has flowed.
- ② The cumulative energization time and actual operation time are accumulated from 0 to 65535 hours, then cleared, and accumulated again from 0.

6.3.2 Faults history clearing procedure

NOTE

Set Err.CL Fault history clear = "1" to clear the faults history.

Operation	
①	Screen at power-ON The monitor display appears.
②	Parameter setting mode Press  to choose the parameter setting mode. (The parameter number read previously appears.)
③	Selecting the parameter number Turn  until "Err.CL" (faults history clear) appears. Press  to read the present set value. "0" (initial value) appears.
④	Faults history clear Turn  to change the set value to "1". Press  to start clear. "1" and "Err.CL" flicker alternately after parameters are cleared. <ul style="list-style-type: none"> • Turn  to read another parameter. • Press  to show the setting again. • Press  twice to show the next parameter.

Tab. 6-3: Clearing the faults history

6.4 The list of fault displays

If the displayed message does not correspond to any of the following or if you have any other problem, please contact your sales representative.

Error message

A message regarding operational fault and setting fault by the operation panel and the parameter unit is displayed. The inverter does not trip.

Operation panel indication		Name	Refer to page
HOLD	HOLD	Operation panel lock	6-9
LOCd	LOCD	Password locked	6-9
Er 1 to Er4 Er8	Er1 to Er4, Er8	Parameter write error	6-9
rE 1 to rE4 rE6 to rE8	rE1 to rE4 rE6 to rE8	Copy operation error	6-10
Err.	Err.	Error	6-12

Tab. 6-4: Error message

Warning

The inverter does not trip even when a warning is displayed. However, failure to take appropriate measures will lead to a fault.

Operation panel indication		Name	Refer to page
OL	OL	Stall prevention (overcurrent)	6-13
oL	oL	Stall prevention (overvoltage)	6-14
TH	TH	Electronic thermal relay function pre-alarm	6-14
PS	PS	PU stop	6-14
CP	CP	Parameter copy	6-14
SA	SA	Safety stop	6-15
MF 1 to MF3	MT1 to MT3	Maintenance signal output	6-15
UF	UF	USB host error	6-15
Ed	ED	Emergency drive in operation	6-15
CF	CF	Continuous operation during communication fault	—
LdF	LDF	Load fault warning	6-16
EHR	EHR	Ethernet communication fault	6-16

Tab. 6-5: Warning

Alarm

The inverter does not trip. An Alarm (LF) signal can also be output with a parameter setting.

Operation panel indication		Name	Data code	Refer to page
FN	FN	Fan alarm	—	6-17

Tab. 6-6: Alarm

Fault

- A protective function trips the inverter and outputs a Fault (ALM) signal.
- The data code is used for checking the fault detail via communication or with Pr. 997 "Fault initiation".

Operation panel indication		Name	Data code	Refer to page
E. OC1	E.OC1	Overcurrent trip during acceleration	16 (H10)	6-18
E. OC2	E.OC2	Overcurrent trip during constant speed	17 (H11)	6-18
E. OC3	E.OC3	Overcurrent trip during deceleration or stop	18 (H12)	6-19
E. OV1	E.OV1	Regenerative overvoltage trip during acceleration	32 (H20)	6-19
E. OV2	E.OV2	Regenerative overvoltage trip during constant speed	33 (H21)	6-20
E. OV3	E.OV3	Regenerative overvoltage trip during deceleration or stop	34 (H22)	6-20
E. FHT	E.THT	Inverter overload trip (electronic thermal relay function)	48 (H30)	6-20
E. FHM	E.THM	Motor overload trip (electronic thermal relay function)	49 (H31)	6-21
E. FIN	E.FIN	Heatsink overheat	64 (H40)	6-21
E. IPF	E.IPF	Instantaneous power failure	80 (H50)	6-21
E. UVF	E.UVT	Undervoltage	81 (H51)	6-22
E. ILF	E.ILF	Input phase loss	82 (H52)	6-22
E. OLF	E.OLT	Stall prevention stop	96 (H60)	6-22
E. SDF	E. SOT	Loss of synchronism detection	97 (H61)	6-23
E. LUP	E.LUP	Upper limit fault detection	98 (H62)	6-23
E. LDN	E.LDN	Lower limit fault detection	99 (H63)	6-23
E. bE	E.BE	Internal circuit fault	112 (H70)	6-29
E. GF	E.GF	Output side earth (ground) fault overcurrent	128 (H80)	6-23
E. LF	E.LF	Output phase loss	129 (H81)	6-24
E. OHT	E.OHT	External thermal relay operation	144 (H90)	6-24

Tab. 6-7: Fault (1)

Operation panel indication		Name	Data code	Refer to page
E. PTC	E.PTC	PTC thermistor operation	145 (H91)	6-24
E. OPT	E.OPT	Option fault	160 (HA0)	6-25
E. OP1	E.OP1	Communication option fault	161 (HA1)	6-25
E. 16	E.16	User definition error by the PLC function	164 (HA4)	6-25
E. 17	E.17		165 (HA5)	
E. 18	E.18		166 (HA6)	
E. 19	E.19		167 (HA7)	
E. 20	E.20		168 (HA8)	
E. PE	E.PE	Parameter storage device fault	176 (HB0)	6-26
E. PUE	E.PUE	PU disconnection	177 (HB1)	6-26
E. RET	E.RET	Retry count excess	178 (HB2)	6-26
E. PE2	E.PE2	Parameter storage device fault	179 (HB3)	6-26
E. CPU	E.CPU	CPU fault	192 (HC0)	6-27
E. 5	E. 5		245 (HF5)	
E. 6	E. 6		246 (HF6)	
E. 7	E. 7		247 (HF7)	
E. CTE	E.CTE	Operation panel power supply short circuit/ RS-485 terminal power supply short circuit	193 (HC1)	6-27
E. P24	E.P24	24 V DC power fault	194 (HC2)	6-27
E. CDO	E.CDO	Abnormal output current detection	196 (HC4)	6-28
E. IOH	E.IOH	Inrush current limit circuit fault	197 (HC5)	6-28
E. SER	E.SER	Communication fault (inverter)	198 (HC6)	6-28
E. AIE	E.AIE	Analog input fault	199 (HC7)	6-28
E. USB	E.USB	USB communication fault	200 (HC8)	6-29
E. SAF	E.SAF	Safety circuit fault	201 (HC9)	6-29
E. PBT	E.PBT	Internal circuit fault	202 (HCA)	6-29
E. 13	E.13		253 (HFD)	
E. OS	E.OS	Overspeed occurrence	208 (HD0)	6-29
E. LCI	E.LCI	4 mA input fault	228 (HE4)	6-30

Tab. 6-7: Fault (2)

Operation panel indication		Name	Data code	Refer to page
E. PCH	E.PCH	Pre-charge fault	229 (HE5)	6-30
E. PId	E.PID	PID signal fault	230 (HE6)	6-30
E. EHR	E.EHR	Ethernet communication fault	231 (HE7)	6-31
E. 1	E. 1	Option fault	241 (HF1)	6-31
E. 2	E. 2		242 (HF2)	
E. 3	E. 3		243 (HF3)	

Tab. 6-7: Fault (3)

Other messages

A message regarding the operational status of the inverter is displayed. The inverter does not trip.

Operation panel indication		Name	Refer to page
E-----	E----	Faults history	6-3
EV	EV	24 V external power supply operation	6-32
Rd	RD	Backup in progress	—
WR	WR	Restoration in progress	—

Tab. 6-8: Other messages

If faults other than the above appear, contact your sales representative.

6.5 Causes and corrective actions

6.5.1 Error message

A message regarding operational troubles is displayed. Output is not shut off.

Operation panel indication	HOLD	HOLD
Name	Operation panel lock	
Description	Operation lock is set. Operation other than STOP/RESET key is invalid. (Refer to page 5-69.)	
Check point	—	
Corrective action	Press MODE key for 2 s to release the lock.	

Operation panel indication	LOCD	LOCD
Name	Password locked	
Description	Password function is active. Display and setting of parameters are restricted.	
Check point	—	
Corrective action	Enter the password in Pr. 297 "Password lock/unlock" to unlock the password function before operating. (Refer to page 5-80.)	

Operation panel indication	Er1	Er-1
Name	Parameter write error	
Description	<ul style="list-style-type: none"> Parameter setting was attempted while Pr. 77 "Parameter write selection" is set to disable parameter write. Overlapping range has been set for the frequency jump. Overlapping range has been set for the adjustable 5 points V/F. The PU and inverter cannot make normal communication. IPM parameter initialization was attempted while Pr. 72 = "25". 	
Check point	<ul style="list-style-type: none"> Check the Pr. 77 "Parameter write selection" setting. (Refer to page 5-72.) Check the settings of Pr. 31 to Pr. 36 (frequency jump). (Refer to page 5-178.) Check the settings of Pr. 100 to Pr. 109 (adjustable 5 points V/F). (Refer to page 5-542.) Check the connection of PU and the inverter. Check the Pr. 72 "PWM frequency selection" setting. A sine wave filter cannot be used under PM motor control. 	

Operation panel indication	Er2	Er-2
Name	Write error during operation	
Description	Parameter write was attempted while Pr. 77 = "0".	
Check point	<ul style="list-style-type: none"> Check that the inverter is stopped. 	
Corrective action	<ul style="list-style-type: none"> After stopping the operation, make parameter setting. When setting Pr. 77 = "2", parameter write is enabled during operation. (Refer to page 5-72.) 	

Operation panel indication	Er3	Er3
Name	Calibration error	
Description	Analog input bias and gain calibration values have been set too close.	
Check point	Check the settings of calibration parameters C3, C4, C6 and C7 (calibration functions). (Refer to page 5-266.)	

Operation panel indication	Er4	Er4
Name	Mode designation error	
Description	<ul style="list-style-type: none"> Parameter setting was attempted in the External or NET operation mode while Pr. 77 = "1". Parameter write was attempted when the command source is not at the operation panel (FR-DU08). 	
Check point	<ul style="list-style-type: none"> Check that operation mode is PU operation mode. Check that the Pr. 551 setting is correct. 	
Corrective action	<ul style="list-style-type: none"> After setting the operation mode to the "PU operation mode", make parameter setting. (Refer to page 5-119.) When Pr. 77 = "2", parameter write is enabled regardless of the operation mode. (Refer to page 5-72.) Set Pr. 551 = "2". (Refer to page 5-130.) 	

Operation panel indication	Er8	Er8
Name	USB memory device operation error	
Description	<ul style="list-style-type: none"> An operation command was given during the USB memory device operation. A copy operation (writing) was performed while the PLC function was in the RUN state. A copy operation was attempted for a password locked project. 	
Check point	<ul style="list-style-type: none"> Check if the USB memory device is operating. Check if the PLC function is in the RUN state. Check if the project data is locked with a password. 	
Corrective action	<ul style="list-style-type: none"> Perform the operation after the USB memory device operation is completed. Stop the PLC function. (Refer to page 5-443 and the PLC function programming manual.) Unlock the password of the project data using FR Configurator2. (Refer to the Instruction Manuals of FR Configurator2 and GX Works2.) 	

Operation panel indication	rE1	rE1
Name	Parameter read error	
Description	<ul style="list-style-type: none"> A failure has occurred at the operation panel side EEPROM while reading the copied parameters. A failure has occurred in the USB memory device while copying the parameters or reading the PLC function project data. 	
Check point	—	
Corrective action	<ul style="list-style-type: none"> Perform parameter copy again. (Refer to page 5-571, page 5-573.) Perform PLC function project data copy again. (Refer to page 5-443) The USB memory device may be faulty. Replace the USB memory device. The operation panel (FR-DU08) may be faulty. Please contact your sales representative. 	

Operation panel indication	rE2	r-E2
Name	Parameter write error	
Description	<ul style="list-style-type: none"> Parameter copy from the operation panel to the inverter was attempted during operation. A failure has occurred at the operation panel side EEPROM while writing the copied parameters. A failure has occurred in the USB memory device while writing the copied parameters or PLC function project data. 	
Check point	<ul style="list-style-type: none"> Check that the inverter is stopped. 	
Corrective action	<ul style="list-style-type: none"> After stopping the operation, perform parameter copy again. (Refer to page 5-571.) The operation panel (FR-DU08) may be faulty. Please contact your sales representative. Perform parameter copy or PLC project data copy again. (Refer to page 5-443 and page 5-573) The USB memory device may be faulty. Replace the USB memory device. 	

Operation panel indication	rE3	r-E3
Name	Parameter verification error	
Description	<ul style="list-style-type: none"> The data in the inverter are different from the data in the operation panel. A failure has occurred at the operation panel side EEPROM during parameter verification. A failure has occurred in the USB memory device during parameter verification. The data in the inverter are different from the data in the USB memory device or the personal computer (FR Configurator2) 	
Check point	<ul style="list-style-type: none"> Check the parameter setting of the source inverter against the setting of the destination inverter. 	
Corrective action	<ul style="list-style-type: none"> Continue the verification by pressing SET key. Perform parameter verification again. (Refer to page 5-572.) The operation panel (FR-DU08) may be faulty. Please contact your sales representative. The USB memory device may be faulty. Replace the USB memory device. Verify the PLC function project data again. (Refer to page 5-443.) 	

Operation panel indication	rE4	r-E4
Name	Model error	
Description	<ul style="list-style-type: none"> A different model was used when parameter copy from the operation panel or parameter verification was performed. The data in the operation panel were not correct when parameter copy from the operation panel or parameter verification was performed. 	
Check point	<ul style="list-style-type: none"> Check that the parameter copy or verification source inverter is of the same model. Check that parameter copy to the operation panel was not interrupted by switching OFF the power or by disconnecting the operation panel. 	
Corrective action	<ul style="list-style-type: none"> Perform parameter copy and parameter verification between inverters of the same model (FR-F800 series). Perform parameter copy to the operation panel from the inverter again. 	

Operation panel indication	rE6	r-E6
Name	File error	
Description	<ul style="list-style-type: none"> • The parameter copy file in the USB memory device cannot be recognized. • An error has occurred in the file system during transfer of the PLC function data or writing to RAM. 	
Check point	—	
Corrective action	<ul style="list-style-type: none"> • Perform parameter copy again. (Refer to page 5-573.) • Copy the PLC function project data again. (Refer to page 5-443.) 	

Operation panel indication	rE7	r-E7
Name	File quantity error	
Description	<ul style="list-style-type: none"> • A parameter copy was attempted to the USB memory device in which the copy files from 001 to 099 had already been saved. 	
Check point	<ul style="list-style-type: none"> • Check if the number of copy files in the USB memory device has reached 99. 	
Corrective action	<ul style="list-style-type: none"> • Delete the copy file in the USB memory device and perform parameter copy again. (Refer to page 5-573.) 	


Operation panel indication	rE8	r-E8
Name	No PLC function project file	
Description	The specified PLC function project file does not exist in the USB memory device.	
Check point	<ul style="list-style-type: none"> • Check that the file exists in the USB memory device. • Check that the folder name and the file name in the USB memory device is correct. 	
Corrective action	The data in the USB memory device may be damaged.	


Operation panel indication	Err.	Err.
Name	Error	
Description	<ul style="list-style-type: none"> • The RES signal is turned ON. • The operation panel and inverter cannot make normal communication (contact faults of the connector). • This error may occur when the voltage at the input side of the inverter drops. • When using a separate power source for the control circuit power (R1/L11, S1/L21) from the main circuit power (R/L1, S/L2, T/L3), this error may appear at turning ON of the main circuit. It is not a fault. 	
Corrective action	<ul style="list-style-type: none"> • Turn OFF the RES signal. • Check the connection between the operation panel and the inverter. • Check the voltage on the input side of the inverter. 	


6.5.2 Warning


Output is not shut off when a protective function activates.


Operation panel indication	OL		FR-LU08	OL
Name	Stall prevention (overcurrent)			
Description	<ul style="list-style-type: none"> When the output current of the inverter increases, the stall prevention (overcurrent) function activates. The following section explains about the stall prevention (overcurrent) function. 			
	During acceleration	When the output current of the inverter exceeds the stall prevention level (Pr. 22 "Stall prevention operation level", etc.), this function stops the increase in frequency until the overload current decreases to prevent the inverter from resulting in overcurrent trip. When the overload current has reduced below stall prevention operation level, this function increases the frequency again.		
	During constant-speed operation	When the output current of the inverter exceeds the stall prevention level (Pr. 22 "Stall prevention operation level", etc.), this function reduces frequency until the overload current decreases to prevent the inverter from resulting in overcurrent trip. When the overload current has reduced below stall prevention operation level, this function increases the frequency up to the set value.		
	During deceleration	When the output current of the inverter exceeds the stall prevention level (Pr. 22 "Stall prevention operation level", etc.), this function stops the decrease in frequency until the overload current decreases to prevent the inverter from resulting in overcurrent trip. When the overload current has decreased below stall prevention operation level, this function decreases the frequency again.		
Check point	<ul style="list-style-type: none"> Check that the Pr. 0 "Torque boost" setting is not too large. The Pr. 7 "Acceleration time" and Pr. 8 "Deceleration time" settings may be too short. Check that the load is not too heavy. Check for any failures in peripheral devices. Check that the Pr. 13 "Starting frequency" is not too large. Check that Pr. 22 "Stall prevention operation level" is appropriate. 			
Corrective action	<ul style="list-style-type: none"> Gradually increase or decrease the Pr. 0 setting by 1% at a time and check the motor status.(Refer to page 5-535.) Set a larger value in Pr. 7 "Acceleration time" and Pr. 8 "Deceleration time". (Refer to page 5-102.) Reduce the load. Try Advanced magnetic flux vector control. Change the Pr. 14 "Load pattern selection" setting. The stall prevention operation current can be set in Pr. 22 "Stall prevention operation level". The acceleration/deceleration time may change. Increase the stall prevention operation level with Pr. 22 "Stall prevention operation level", or disable stall prevention with Pr. 156 "Stall prevention operation selection". (Use Pr. 156 to set either operation continued or not at OL operation.) 			


Operation panel indication	oL		FR-LU08	oL
Name	Stall prevention (overvoltage)			
Description	<ul style="list-style-type: none"> When the output voltage of the inverter increases, the stall prevention (overvoltage) function activates. The regeneration avoidance function activates due to excessive regenerative power of the motor. (Refer to page 5-560.) The following section explains the stall prevention (overvoltage) function. 			
	During deceleration	If the regenerative power of the motor becomes excessive to exceed the regenerative power consumption capability, this function stops decreasing the frequency to prevent overvoltage trip. As soon as the regenerative power has reduced, deceleration resumes.		
Check point	<ul style="list-style-type: none"> Check for sudden speed reduction. Check if the regeneration avoidance function (Pr. 882 to Pr. 886) is being used. (Refer to page 5-560.) 			
Corrective action	The deceleration time may change. Increase the deceleration time using Pr. 8 "Deceleration time".			


Operation panel indication	TH		FR-LU08	TH
Name	Electronic thermal relay function pre-alarm			
Description	Appears if the cumulative value of the electronic thermal O/L relay reaches or exceeds 85% of the preset level of Pr. 9 "Electronic thermal O/L relay". If the value reaches 100% of Pr. 9 setting, motor overload trip (E.THM) occurs.			
Check point	<ul style="list-style-type: none"> Check for large load or sudden acceleration. Check that the Pr. 9 setting is appropriate. (Refer to page 5-150.) 			
Corrective action	<ul style="list-style-type: none"> Reduce the load and frequency of operation. Set an appropriate value in Pr. 9. (Refer to page 5-150.) 			


Operation panel indication	PS		FR-LU08	PS
Name	PU stop			
Description	The motor is stopped using STOP/RESET key under the mode other than the PU operation mode. (To enable STOP/RESET key under the mode other than the PU operation mode, set Pr. 75 "Reset selection/disconnected PU detection/PU stop selection". Refer to page 5-63 for details.)			
Check point	Check for a stop made by pressing STOP/RESET key of the operation panel.			
Corrective action	Turn the start signal OFF and release with PU/EXT key.			

Operation panel indication	CP		FR-LU08	CP
Name	Parameter copy			
Description	Appears when parameter copy is performed between inverters FR-F820-02330(55K) or lower, FR-F840-01160(55K) or lower, FR-F820-03160(75K) or higher and FR-F840-01800(75K) or higher.			
Check point	Resetting of Pr. 9, Pr. 30, Pr. 51, Pr. 56, Pr. 57, Pr. 72, Pr. 80, Pr. 82, Pr. 90 to Pr. 94, Pr. 453, Pr. 455, Pr. 458 to Pr. 462, Pr. 557, Pr. 859, Pr. 860 and Pr. 893 is necessary.			
Corrective action	Set the initial value in Pr. 989 "Parameter copy alarm release".			

Operation panel indication	SA		FR-LU08	—
Name	Safety stop			
Description	Appears when safety stop function is activated (during output shutoff). (Refer to page 2-64.)			
Check point	<ul style="list-style-type: none"> • Check if an emergency stop device is activated. • Check if the shorting wire between S1 and PC or between S2 and PC is disconnected when not using the safety stop function. 			
Corrective action	<ul style="list-style-type: none"> • An emergency stop device is active when using the safety stop function. Identify the cause of emergency stop, ensure the safety and restart the system. • When not using the safety stop function, short across terminals S1 and PC and across S2 and PC with shorting wire for the inverter to run. • If "SA" is indicated when wires across S1 and SIC and across S2 and SIC are both conducted while using the safety stop function (drive enabled), internal failure might be the cause. Check the wiring of terminals S1, S2 and SIC and contact your sales representative if the wiring has no fault. 			

Operation panel indication	MT1 to MT3		FR-LU08	MT1 to MT3
Name	Maintenance signal output 1 to 3			
Description	<p>Appears when the inverter's cumulative energization time reaches or exceeds the parameter set value. Set the time until the MT is displayed using Pr. 504 "Maintenance timer 1 warning output set time" (MT1), Pr. 687 "Maintenance timer 2 warning output set time" (MT2), and Pr. 689 "Maintenance timer 3 warning output set time" (MT3).</p> <p>MT does not appear when the settings of Pr. 504, Pr. 687, and Pr. 689 are initial values (9999).</p>			
Check point	The set time of maintenance timer has been exceeded. (Refer to page 5-95.)			
Corrective action	Take appropriate countermeasures according to the purpose of the maintenance timer setting. Setting "0" in Pr. 503 "Maintenance timer 1", Pr. 686 "Maintenance timer 2", and Pr. 688 "Maintenance timer 3" clears the indication.			

Operation panel indication	UF		FR-LU08	UF
Name	USB host error			
Description	Appears when an excessive current flows into the USB A connector.			
Check point	Check if a USB device other than a USB memory device is connected to the USB A connector.			
Corrective action	<ul style="list-style-type: none"> • If a device other than a USB memory device is connected to the USB A connector, remove the device. • Setting Pr. 1049 "USB host reset" = "1" or inverter reset clears the UF indication. 			

Operation panel indication	ED		FR-LU08	ED
Name	Emergency drive in operation			
Description	Appears during emergency drive operation.			
Check point	<ul style="list-style-type: none"> • Emergency drive operation is performed by turning ON X84 signal. 			
Corrective action	<ul style="list-style-type: none"> • The display is cleared when the emergency drive operation ends. (Refer to page 5-167.) 			

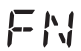
Operation panel indication	LDF	<i>Ldf</i>	FR-LU08	LDF
Name	Load fault warning			
Description	Appears when the load is deviated from the detection width set in Pr.1488 "Upper limit warning detection width" or Pr.1489 "Lower limit warning detection width".			
Check point	<ul style="list-style-type: none"> • Check if too much load is applied to the equipment, or if the load is too light. • Check that the load characteristics settings are correct. 			
Corrective action	<ul style="list-style-type: none"> • Inspect the equipment. • Set the load characteristics (Pr.1481 to Pr.1487) correctly. 			

Operation panel indication	EHR	<i>EHR</i>	FR-LU-08	EHR
Name	Ethernet communication fault (FR-F800-E only)			
Description	Appears when Ethernet communication is interrupted by physical factors while Pr. 1431 "Ethernet signal loss detection function selection" = "1 or 2".			
Check point	<ul style="list-style-type: none"> • Check that the Ethernet board is installed onto the connector securely. • Check for a break in the Ethernet cable. 			
Corrective action	<ul style="list-style-type: none"> • Connect the Ethernet board securely. • Check that the Ethernet cable is correctly connected to the Ethernet connector. Check that the Ethernet cable is not broken. 			

6.5.3 Alarm

Output is not shut off when a protective function activates. An alarm can also be output with a parameter setting.

Set "98" in Pr. 190 to Pr. 196 (output terminal function selection). (Refer to page 5-231.)

Operation panel indication	FN		FR-LU08	FN
Name	Fan alarm			
Description	For the inverter that contains a cooling fan, "FN" appears on the operation panel when the cooling fan stops due to a fault, low rotation speed or different operation from the setting of Pr. 244 "Cooling fan operation selection".			
Check point	Check the cooling fan for a failure.			
Corrective action	The fan may be faulty. Please contact your sales representative.			

6.5.4 Fault

When a protective function activates, the inverter trips and a fault signal is output.

Operation panel indication	E.OC1	E. OC 1	FR-LU08	OC During Acc
Name	Overcurrent trip during acceleration			
Description	When the inverter output current reaches or exceeds approximately 170% (LD rating) / 148% (SLD rating) of the rated current during acceleration, the protection circuit is activated and the inverter trips.			
Check point	<ul style="list-style-type: none"> • Check for sudden speed acceleration. • Check if the downward acceleration time is too long in a lift application. • Check for output short-circuit. • Check that the Pr. 3 "Base frequency" setting is not 60 Hz when the motor rated frequency is 50 Hz. • Check if the stall prevention operation level is set too high. Check if the fast-response current limit operation is disabled. • Check that the regenerative driving is not performed frequently. (Check if the output voltage becomes larger than the V/F reference voltage at regenerative driving and overcurrent occurs due to increase in the motor current.) • Check that the inverter capacity matches with the motor capacity. (PM motor control) • Check if a start command is given to the inverter while the motor is coasting. (PM motor control) 			
Corrective action	<ul style="list-style-type: none"> • Set the acceleration time longer. (Shorten the downward acceleration time of the lift.) • If "E.OC1" always appears at start, disconnect the motor once and restart the inverter. If "E.OC1" still appears, contact your sales representative. • Check the wiring to make sure that output short circuit does not occur. • Set 50 Hz in Pr. 3 "Base frequency". (Refer to page 5-537.) • Lower the stall prevention operation level. Activate the fast-response current limit operation. (Refer to page 5-180.) • Set the base voltage (rated voltage of the motor, etc.) in Pr. 19 "Base frequency voltage". (Refer to page 5-537.) • Choose inverter and motor capacities that match. (PM motor control) • Input a start command after the motor stops. Alternatively, use the automatic restart after instantaneous power failure/flying start function. (Refer to page 5-423.) (IPM motor control) 			

Operation panel indication	E.OC2	E. OC 2	FR-LU08	OC During Cnst Spd
Name	Overcurrent trip during constant speed			
Description	When the inverter output current reaches or exceeds approximately 170% (LD rating) / 148% (SLD rating) of the rated current during constant-speed operation, the protection circuit is activated and the inverter trips.			
Check point	<ul style="list-style-type: none"> • Check for sudden load change. • Check for output short-circuit. • Check if the stall prevention operation level is set too high. Check if the fast-response current limit operation is disabled. • Check that the inverter capacity matches with the motor capacity. (PM motor control) • Check if a start command is given to the inverter while the motor is coasting. (PM motor control) 			
Corrective action	<ul style="list-style-type: none"> • Keep the load stable. • Check the wiring to make sure that output short circuit does not occur. • Lower the stall prevention operation level. Activate the fast-response current limit operation. (Refer to page 5-180.) • Choose inverter and motor capacities that match. (PM motor control) • Input a start command after the motor stops. Alternatively, use the automatic restart after instantaneous power failure/flying start function. (Refer to page 5-423.) (PM motor control) 			

Operation panel indication	E.OC3	E. OC3	FR-LU08	OC During Dec
Name	Overcurrent trip during deceleration or stop			
Description	When the inverter output current reaches or exceeds approximately 170% (LD rating) / 148% (SLD rating) of the rated current during deceleration (other than acceleration or constant speed), the protection circuit is activated and the inverter trips.			
Check point	<ul style="list-style-type: none"> • Check for sudden speed reduction. • Check for output short-circuit. • Check for too fast operation of the motor's mechanical brake. • Check if the stall prevention operation level is set too high. Check if the fast-response current limit operation is disabled. • Check that the inverter capacity matches with the motor capacity. (PM motor control) • Check if a start command is given to the inverter while the motor is coasting. (PM motor control) 			
Corrective action	<ul style="list-style-type: none"> • Set the deceleration time longer. • Check the wiring to make sure that output short circuit does not occur. • Check the mechanical brake operation. • Lower the stall prevention operation level. Activate the fast-response current limit operation. (Refer to page 5-180.) • Choose inverter and motor capacities that match. (PM motor control) • Input a start command after the motor stops. Alternatively, use the automatic restart after instantaneous power failure/flying start function. (Refer to page 5-423.) (PM motor control) 			

Operation panel indication	E.OV1	E. OV1	FR-LU08	OV During Acc
Name	Regenerative overvoltage trip during acceleration			
Description	If regenerative power causes the inverter's internal main circuit DC voltage to reach or exceed the specified value, the protection circuit is activated to stop the inverter output. The circuit may also be activated by a surge voltage produced in the power supply system.			
Check point	<ul style="list-style-type: none"> • Check for too slow acceleration. (e.g. during downward acceleration in vertical lift load) • Check that the Pr. 22 "Stall prevention operation level" is not set to the no load current or lower. • Check if the stall prevention operation is frequently activated in an application with a large load inertia. 			
Corrective action	<ul style="list-style-type: none"> • Set the acceleration time shorter. Use the regeneration avoidance function (Pr. 882 to Pr. 886). (Refer to page 5-560.) • Set a value larger than the no load current in Pr. 22. • Set Pr. 154 "Voltage reduction selection during stall prevention operation" = "10, 11". (Refer to page 5-180.) 			

Operation panel indication	E.OV2	E. OV2	FR-LU08	OV During Cnst Spd
Name	Regenerative overvoltage trip during constant speed			
Description	If regenerative power causes the inverter's internal main circuit DC voltage to reach or exceed the specified value, the protection circuit is activated to stop the inverter output. The circuit may also be activated by a surge voltage produced in the power supply system.			
Check point	<ul style="list-style-type: none"> • Check for sudden load change. • Check that the Pr. 22 "Stall prevention operation level" is not set to the no load current or lower. • Check if the stall prevention operation is frequently activated in an application with a large load inertia. • Check that acceleration/deceleration time is not too short. 			
Corrective action	<ul style="list-style-type: none"> • Keep the load stable. • Use the regeneration avoidance function (Pr. 882 to Pr. 886). (Refer to page 5-560.) • Use the brake unit or power regeneration common converter (FR-CV) as required. • Set a value larger than the no load current in Pr. 22. • Set Pr. 154 "Voltage reduction selection during stall prevention operation" = "10, 11". (Refer to page 5-180.) • Set the acceleration/deceleration time longer. (Under Advanced magnetic flux vector control, the output torque can be increased. However, sudden acceleration may cause an overshoot in speed, resulting in an occurrence of overvoltage.) 			

Operation panel indication	E.OV3	E. OV3	FR-LU08	OV During Dec
Name	Regenerative overvoltage trip during deceleration or stop			
Description	If regenerative power causes the inverter's internal main circuit DC voltage to reach or exceed the specified value, the protection circuit is activated to stop the inverter output. The circuit may also be activated by a surge voltage produced in the power supply system.			
Check point	<ul style="list-style-type: none"> • Check for sudden speed reduction. • Check if the stall prevention operation is frequently activated in an application with a large load inertia. 			
Corrective action	<ul style="list-style-type: none"> • Set the deceleration time longer. (Set the deceleration time which matches the moment of inertia of the load.) • Make the brake cycle longer. • Use the regeneration avoidance function (Pr. 882 to Pr. 886). (Refer to page 5-560.) • Use the brake unit or power regeneration common converter (FR-CV) as required. • Set Pr. 154 "Voltage reduction selection during stall prevention operation" = "10, 11". (Refer to page 5-180.) 			


Operation panel indication	E.THT	E. THT	FR-LU08	Inv. overload trip
Name	Inverter overload trip ^①			
Description	When the temperature of the output transistor element exceeds the protection level while a current flows at the rated output current level or higher without causing an overcurrent trip (E.OC□), the inverter output is stopped. (Permissible overload capacity 120% 60 s)			
Check point	<ul style="list-style-type: none"> • Check that acceleration/deceleration time is not too short. • Check that torque boost setting is not too large (small). • Check that load pattern selection setting is appropriate for the load pattern of the using machine. • Check the motor for the use under overload. 			
Corrective action	<ul style="list-style-type: none"> • Set the acceleration/deceleration time longer. • Adjust the torque boost setting. • Set the load pattern selection setting according to the load pattern of the using machine. • Reduce the load. 			
^① Resetting the inverter initializes the internal cumulative heat value of the electronic thermal O/L relay function.				


Operation panel indication	E.THM	E. THM	FR-LU08	Motor overload trip
Name	Motor overload trip ^①			
Description	The electronic thermal O/L relay function in the inverter detects motor overheat, which is caused by overload or reduced cooling capability during low-speed operation. When the cumulative heat value reaches 85% of the Pr. 9 "Electronic thermal O/L relay" setting, pre-alarm (TH) is output. When the accumulated value reaches the specified value, the protection circuit is activated to stop the inverter output.			
Check point	<ul style="list-style-type: none"> • Check the motor for the use under overload. • Check that the setting of Pr. 71 "Applied motor" for motor selection is correct. (Refer to page 5-297.) • Check that the stall prevention operation setting is correct. 			
Corrective action	<ul style="list-style-type: none"> • Reduce the load. • For a constant-torque motor, set the constant-torque motor in Pr. 71. • Set the stall prevention operation level accordingly. (Refer to page 5-180.) 			




^① Resetting the inverter initializes the internal cumulative heat value of the electronic thermal O/L relay function.


Operation panel indication	E.FIN	E. FIN	FR-LU08	Heatsink overheat
Name	Heatsink overheat			
Description	When the heatsink overheats, the temperature sensor activates, and the inverter output is stopped. The FIN signal can be output when the temperature becomes approximately 85% of the heatsink overheat protection operation temperature. For the terminal used for the FIN signal output, assign the function by setting "26 (positive logic) or 126 (negative logic)" from Pr. 190 to Pr. 196 (output terminal function selection). (Refer to page 5-231.)			
Check point	<ul style="list-style-type: none"> • Check for too high surrounding air temperature. • Check for heatsink clogging. • Check that the cooling fan is not stopped. (Check that "FN" is not displayed on the operation panel.) 			
Corrective action	<ul style="list-style-type: none"> • Set the surrounding air temperature to within the specifications. • Clean the heatsink. • Replace the cooling fan. 			

Operation panel indication	E.IPF	E. I PF	FR-LU08	Instant Pwr failure
Name	Instantaneous power failure (Standard models only)			
Description	If a power failure occurs for longer than 15 ms (this also applies to inverter input shut-off), the instantaneous power failure protective function is activated to trip the inverter in order to prevent the control circuit from malfunctioning. If a power failure persists for 100 ms or longer, the fault warning output is not provided, and the inverter restarts if the start signal is ON upon power restoration. (The inverter continues operating if an instantaneous power failure is within 15 ms.) In some operating status (load magnitude, acceleration/deceleration time setting, etc.), overcurrent or other protection may be activated upon power restoration. When instantaneous power failure protection is activated, the IPF signal is output. (Refer to page 5-415, page 5-423.)			
Check point	Find the cause of instantaneous power failure occurrence.			
Corrective action	<ul style="list-style-type: none"> • Remedy the instantaneous power failure. • Prepare a backup power supply for instantaneous power failure. • Set the function of automatic restart after instantaneous power failure (Pr. 57). (Refer to page 5-415, page 5-423.) 			

Operation panel indication	E.UVT		FR-LU08	Under Voltage
Name	Undervoltage (Standard models only)			
Description	<p>If the power supply voltage of the inverter decreases, the control circuit will not perform normal functions. In addition, the motor torque will be insufficient and/or heat generation will increase. To prevent this, if the power supply voltage decreases to about 150 V AC (300 V AC for the 400 V class) or below, this function shuts off the inverter output.</p> <p>When a jumper is not connected across P/+ and P1, the undervoltage protective function is activated.</p> <p>When undervoltage protection is activated, the IPF signal is output. (Refer to page 5-415, page 5-423.)</p>			
Check point	<ul style="list-style-type: none"> • Check if a high-capacity motor is driven. • Check if the jumper is connected across terminals P/+ and P1. 			
Corrective action	<ul style="list-style-type: none"> • Check the power supply system equipment such as the power supply. • Do not remove the jumper across terminals P/+ and P1 except when connecting a DC reactor. • If the problem still persists after taking the above measure, contact your sales representative. 			

Operation panel indication	E.ILF		FR-LU08	Input phase loss
Name	Input phase loss (Standard models only)			
Description	<p>When Pr. 872 "Input phase loss protection selection" is enabled ("1") and one of the three-phase power input is lost, the inverter output is shut off. This protective function is not available when Pr. 872 is set to the initial value (Pr. 872 = "0"). (Refer to page 5-163)</p>			
Check point	Check for a break in the cable for the three-phase power supply input.			
Corrective action	<ul style="list-style-type: none"> • Wire the cables properly. • Repair a break portion in the cable. 			

Operation panel indication	E.OLT		FR-LU08	Stall prevention STP
Name	Stall prevention stop			
Description	<p> V/F Magnetic flux</p> <p>If the output frequency has fallen to 0.5 Hz by stall prevention operation and remains for 3 s, a fault (E.OLT) appears and the inverter trips. OL appears while stall prevention is being activated.</p> <p> PM</p> <p>During speed control, a fault (E.OLT) appears and the inverter trips if the frequency value converted from the motor rotation speed drops to 1.5 Hz or lower by stall prevention operation and the output torque exceeds the Pr. 874 "OLT level setting" (refer to page 5-180) and remains there for 3 s.</p>			
Check point	<ul style="list-style-type: none"> • Check the motor for the use under overload. • Check that the Pr. 874 values are correct. (Check the Pr. 22 "Stall prevention operation level" setting under V/F control and Advanced magnetic flux vector control.) • Check if a motor is connected under PM motor control. 			
Corrective action	<ul style="list-style-type: none"> • Reduce the load. • Change the Pr. 22, and Pr. 874 values. (Check the Pr. 22 setting under V/F control and Advanced magnetic flux vector control.) • For a test run without connecting a motor, select the PM motor control test operation. (Refer to page 5-42.) • Also check that the stall prevention (overcurrent) warning (OL) or the stall prevention (overvoltage) warning (oL) countermeasure is taken. 			

Operation panel indication	E.SOT 	E. SOT	FR-LU08	Motor Step Out
Name	Loss of synchronism detection			
Description	The inverter trips when the motor operation is not synchronized. (This function is only available under PM motor control.)			
Check point	<ul style="list-style-type: none"> • Check that the PM motor is not driven overloaded. • Check if a start command is given to the inverter while the PM motor is coasting. • Check if a motor is connected under PM motor control. • Check if a PM motor other than the MM-EFS/MM-THE4 series is driven. 			
Corrective action	<ul style="list-style-type: none"> • Set the acceleration time longer. • Reduce the load. • If the inverter restarts during coasting, set Pr. 57 "Restart coasting time" ≠ "9999", and select the automatic restart after instantaneous power failure. • Check the connection of the IPM motor. • For a test run without connecting a motor, select the PM motor control test operation. (Refer to page 5-42.) • Drive an IPM motor (MM-EFS/MM-THE4 series) • When driving an IPM motor other than MM-EFS/MM-THE4 series, offline auto tuning must be performed. (Refer to page 5-316.) 			

Operation panel indication	E.LUP	E. LUP	FR-LU08	Upper limit fault
Name	Upper limit fault detection			
Description	When the load exceeds the upper limit fault detection range, the inverter trips. This protective function is not available in the initial setting of Pr. 1490 (Pr. 1490 = "9999").			
Check point	<ul style="list-style-type: none"> • Check if too much load is applied to the equipment. • Check that the load characteristics settings are correct. 			
Corrective action	<ul style="list-style-type: none"> • Inspect the equipment. • Set the load characteristics (Pr. 1481 to Pr. 1487) correctly. 			

Operation panel indication	E.LDN	E. LDN	FR-LU08	Lower limit fault
Name	Lower limit fault detection			
Description	When the load falls below the lower limit fault detection range, the inverter trips. This protective function is not available in the initial setting of Pr. 1491 (Pr. 1491 = "9999").			
Check point	<ul style="list-style-type: none"> • Check if the equipment load is too light. • Check that the load characteristics settings are correct. 			
Corrective action	<ul style="list-style-type: none"> • Inspect the equipment. • Set the load characteristics (Pr. 1481 to Pr. 1487) correctly. 			

Operation panel indication	E.GF	E. GF	FR-LU08	Ground Fault
Name	Output side earth (ground) fault overcurrent			
Description	The inverter trips if an earth (ground) fault overcurrent flows due to an earth (ground) fault that occurred on the inverter's output side (load side).			
Check point	Check for an earth (ground) fault in the motor and connection cable.			
Corrective action	Remedy the earth (ground) fault portion.			

Operation panel indication	E.LF	E. LF	FR-LU08	Output phase loss
Name	Output phase loss			
Description	The inverter trips if one of the three phases (U, V, W) on the inverter's output side (load side) is lost.			
Check point	<ul style="list-style-type: none"> • Check the wiring. (Check that the motor is normally operating.) • Check that the capacity of the motor used is not smaller than that of the inverter. • Check if a start command is given to the inverter while the motor is coasting. (PM motor control) 			
Corrective action	<ul style="list-style-type: none"> • Wire the cables properly. • Input a start command after the motor stops. Alternatively, use the automatic restart after instantaneous power failure/flying start function (page 5-423). (PM motor control) 			

Operation panel indication	E.OHT	E. OHT	FR-LU08	Ext TH relay oper
Name	External thermal relay operation			
Description	The inverter trips if the external thermal relay provided for motor overheat protection or the internally mounted thermal relay in the motor, etc. switches ON (contacts open). This function is available when "7" (OH signal) is set in any of Pr. 178 to Pr. 189 (input terminal function selection). This protective function is not available in the initial status. (OH signal is not assigned.)			
Check point	<ul style="list-style-type: none"> • Check for motor overheating. • Check that the value "7" (OH signal) is set correctly to any of Pr. 178 to Pr. 189 (input terminal function selection). 			
Corrective action	<ul style="list-style-type: none"> • Reduce the load and operation duty. • Even if the relay contacts are reset automatically, the inverter will not restart unless it is reset. 			

Operation panel indication	E.PTC	E. PTC	FR-LU08	PTC thermistor oper
Name	PTC thermistor operation			
Description	The inverter trips if resistance of the PTC thermistor connected between the terminal 2 and terminal 10 is equal to or higher than the Pr. 561 "PTC thermistor protection level" setting for a continuous time equal to or longer than the setting value in Pr. 1016 "PTC thermistor protection detection time". When the initial value (Pr. 561 = "9999") is set, this protective function is not available.			
Check point	<ul style="list-style-type: none"> • Check the connection with the PTC thermistor. • Check the Pr. 561, Pr. 1016 setting. • Check the motor for operation under overload. 			
Corrective action	Reduce the load.			

Operation panel indication	E.OPT	E. OPT	FR-LU08	Option Fault
Name	Option fault			
Description	<ul style="list-style-type: none"> • Appears when the AC power supply is connected to the terminal R/L1, S/L2, or T/L3 accidentally when a high power factor converter (FR-HC2) or power regeneration common converter (FR-CV) is connected (when Pr. 30 "Regenerative function selection" = "2"). • Appears when the switch for manufacturer setting of the plug-in option is changed. • Appears when a communication option is connected while Pr. 296 "Password lock level" = "0 or 100". 			
Check point	<ul style="list-style-type: none"> • Check that the AC power supply is not connected to the terminal R/L1, S/L2, or T/L3 when a high power factor converter (FR-HC2) or power regeneration common converter (FR-CV) is connected (when Pr. 30 = "2"). • Check for the password lock with a setting of Pr. 296 = "0, 100". 			
Corrective action	<ul style="list-style-type: none"> • Check the Pr. 30 setting and wiring. • The inverter may be damaged if the AC power supply is connected to the terminal R/L1, S/L2, or T/L3 when a high power factor converter is connected. Please contact your sales representative. • Set the switch on the plug-in option, which is for manufacturer setting, back to the initial setting. (Refer to the Instruction Manual of each option.) • To apply the password lock when installing a communication option, set Pr. 296 ≠ "0, 100". (Refer to page 5-76.) 			

Operation panel indication	E.OP1	E. OP1	FR-LU08	Option1 Fault
Name	Communication option fault			
Description	The inverter trips if a communication line error occurs in the communication option.			
Check point	<ul style="list-style-type: none"> • Check for an incorrect option function setting and operation. • Check that the plug-in option is plugged into the connector properly. • Check for a break in the communication cable. • Check that the terminating resistor is fitted properly. 			
Corrective action	<ul style="list-style-type: none"> • Check the option function setting, etc. • Connect the plug-in option securely. • Check the connection of communication cable. 			

Operation panel indication	E.16 to E.20	E. 16 to E. 20	FR-LU08	Fault 16 to Fault 20
Name	User definition error by the PLC function			
Description	<p>The protective function is activated by setting "16 to 20" in the special register SD1214 for the PLC function. The inverter trips when the protective function is activated.</p> <p>The protective function is activated when the PLC function is enabled. This protective function is not available in the initial setting (Pr. 414 = "0").</p> <p>Any character string can be displayed on FR-LU08 or FR-PU07 by sequence programs.</p>			
Check point	<ul style="list-style-type: none"> • Check if "16 to 20" is set in the special register SD1214. 			
Corrective action	<ul style="list-style-type: none"> • Set a value other than "16 to 20" in the special register SD1214. 			

Operation panel indication	E.PE	E. PE	FR-LU08	Corrupt Memory
Name	Parameter storage device fault (control circuit board)			
Description	The inverter trips if a fault occurs in the parameter stored. (EEPROM failure)			
Check point	Check for too many numbers of parameter write times.			
Corrective action	Please contact your sales representative. Set "1" in Pr. 342 "Communication EEPROM write selection" (write to RAM) for the operation which requires frequent parameter writing via communication, etc. Note that writing to RAM goes back to the initial status at power OFF.			

Operation panel indication	E.PUE	E. PUE	FR-LU08	PU disconnection
Name	PU disconnection			
Description	<ul style="list-style-type: none"> The inverter trips if communication between the inverter and PU is suspended, e.g. the operation panel or parameter unit is disconnected, when the disconnected PU disconnection function is valid in Pr. 75 "Reset selection/disconnected PU detection/PU stop selection". The inverter trips if communication errors occurred consecutively for more than permissible number of retries when Pr. 121 "Number of PU communication retries" ≠ "9999" during the RS-485 communication. The inverter trips if communication is broken within the period of time set in Pr. 122 "PU communication check time interval" during the RS-485 communication via the PU connector. 			
Check point	<ul style="list-style-type: none"> Check that the operation panel or the parameter unit is connected properly. Check the Pr. 75 setting. 			
Corrective action	Fit the operation panel or the parameter unit securely.			

Operation panel indication	E.RET	E. RET	FR-LU08	Retry count excess
Name	Retry count excess			
Description	The inverter trips if the operation cannot be resumed properly within the number of retries set in Pr. 67 "Number of retries at fault occurrence".			
Check point	Find the cause of the fault occurrence.			
Corrective action	Eliminate the cause of the error preceding this error indication.			

Operation panel indication	E.PE2	E. PE2	FR-LU08	PR storage alarm
Name	Parameter storage device fault (main circuit board)			
Description	The inverter trips if a fault occurs in the parameter stored. (EEPROM failure)			
Check point	—			
Corrective action	Please contact your sales representative.			

Operation panel indication	E.CPU	E. CPU	FR-LU08	CPU Fault
	E. 5	E. 5		Fault 5
	E. 6	E. 6		Fault 6
	E. 7	E. 7		Fault 7
Name	CPU fault			
Description	The inverter trips if the communication fault of the built-in CPU occurs.			
Check point	Check for devices producing excess electrical noises around the inverter.			
Corrective action	<ul style="list-style-type: none"> Take measures against noises if there are devices producing excess electrical noises around the inverter. Please contact your sales representative. 			

Operation panel indication	E.CTE	E. CTE	FR-LU08	Circuit fault
Name	Operation panel power supply short circuit/RS-485 terminal power supply short circuit			
Description	<ul style="list-style-type: none"> When the power supply for the operation panel (PU connector) is shorted, the power output is shutoff and the inverter trips. The use of the operation panel (parameter unit) and the RS-485 communication via the PU connector are disabled. To reset, enter the RES signal from the terminal, reset via communication through the RS-485 terminals, or switch power OFF then ON again. When the power supply for the RS-485 terminals are short circuited, this function shuts off the power output. At this time, communication from the RS-485 terminals cannot be made. To reset, use STOP/RESET key of the operation panel, enter the RES signal, or switch power OFF then ON again. 			
Check point	<ul style="list-style-type: none"> Check that the PU connector cable is not shorted. Check that the RS-485 terminals are connected correctly. 			
Corrective action	<ul style="list-style-type: none"> Check PU and cable. Check the connection of the RS-485 terminals. 			

Operation panel indication	E.P24	E. P24	FR-LU08	24 VDC power fault
Name	24 V DC power fault			
Description	When the 24 V DC power output from the PC terminal is shorted, this function shuts off the power output. At this time, all external contact inputs switch OFF. The inverter cannot be reset by entering the RES signal. To reset it, use the operation panel, or switch power OFF, then ON again.			
Check point	<ul style="list-style-type: none"> Check for a short circuit in the PC terminal output. Check that the 24 V external power supply voltage is correct. 			
Corrective action	<ul style="list-style-type: none"> Repair the short-circuited portion. Supply the power at 24 V. (If the power at insufficient voltage is supplied to the 24 V input circuit for a long time, the inverter internal circuit may heat up. Input power at correct voltage although it will not damage the inverter.) 			

Operation panel indication	E.CDO	E. CDO	FR-LU08	OC detect level
Name	Abnormal output current detection			
Description	The inverter trips if the output current exceeds the Pr. 150 "Output current detection level" setting. This functions is available when Pr. 167 "Output current detection operation selection" is set to "1". When the initial value (Pr. 167 = "0") is set, this protective function is not available.			
Check point	Check the settings of Pr. 150, Pr. 151 "Output current detection signal delay time", Pr. 166 "Output current detection signal retention time", and Pr. 167. (Refer to page 5-244.)			

Operation panel indication	E.IOH	E. IOH	FR-LU08	Inrush overheat
Name	Inrush current limit circuit fault (Standard models only)			
Description	The inverter trips when the resistor of the inrush current limit circuit is overheated. The inrush current limit circuit failure			
Check point	<ul style="list-style-type: none"> • Check that frequent power ON/OFF is not repeated. • Check if the input side fuse (5A) in the power supply circuit of the inrush current limit circuit contactor (FR-F840-03250(132K) or higher) is blown. • Check that the power supply circuit of inrush current limit circuit contactor is not damaged. 			
Corrective action	Configure a circuit where frequent power ON/OFF is not repeated. If the situation does not improve after taking the above measure, please contact your sales representative.			

Operation panel indication	E.SER	E. SER	FR-LU08	VFD Comm error
Name	Communication fault (inverter) (not for FR-F800-E)			
Description	The inverter trips when communication error occurs consecutively for the permissible number of retries or more when Pr. 335 "RS-485 communication retry count" ≠ "9999" during RS-485 communication from the RS-485 terminals. The inverter also trips if communication is broken for the period of time set in Pr. 336 "RS-485 communication check time interval".			
Check point	Check the RS-485 terminal wiring.			
Corrective action	Perform wiring of the RS-485 terminals properly.			

Operation panel indication	E.AIE	E. AIE	FR-LU08	Analog input fault
Name	Analog input fault			
Description	The inverter trips when a 30 mA or higher current or a 7.5 V or higher voltage is input to terminal 2 while the current input is selected by Pr. 73 "Analog input selection", or to terminal 4 while the current input is selected by Pr. 267 "Terminal 4 input selection".			
Check point	Check the Pr. 73, Pr. 267, and the voltage/current input switch settings.(Refer to page 5-255)			
Corrective action	Either give a current less than 30 mA, or set Pr. 73, Pr. 267, and the voltage/current input switch to the voltage input and input a voltage.			

Operation panel indication	E.USB	E. USB	FR-LU08	USB comm error
Name	USB communication fault			
Description	The inverter trips when the communication is cut off for the time set in Pr. 548 "USB communication check time interval".			
Check point	<ul style="list-style-type: none"> • Check that the USB communication cable is connected securely. 			
Corrective action	<ul style="list-style-type: none"> • Check the Pr. 548 setting. • Connect the USB communication cable securely. • Increase the Pr. 548 setting or set "9999." (Refer to page 5-531.) 			

Operation panel indication	E.SAF	E. SAF	FR-LU08	Safety circuit fault
Name	Safety circuit fault			
Description	<ul style="list-style-type: none"> • The inverter trips when a safety circuit fault occurs. • The inverter trips if the either of the wire between S1 and SIC or S2 and SIC becomes non-conductive while using the safety stop function. • When not using the safety stop function, the inverter trips when the shorting wire between terminals S1 and PC or across S2 and PC is disconnected. 			
Check point	<ul style="list-style-type: none"> • Check that the safety relay module or the connection has no fault when using the safety stop function. • Check if the shorting wire between S1 and PC or between S2 and PC is disconnected when not using the safety stop function. 			
Corrective action	<ul style="list-style-type: none"> • When using the safety stop function, check that wiring of terminal S1, S2 and SIC is correct and the safety stop input signal source such as a safety relay module is operating properly. Refer to the Safety stop function instruction manual for causes and countermeasures. (Please contact your sales representative for the manual.) • When not using the safety stop function, short across terminals S1 and PC and across S2 and PC with shorting wires. (Refer to page 2-64.) 			


Operation panel indication	E.PBT	E. Pbt	FR-LU08	PBT fault
	E.13	E. 13		Intrnl circuit fault
	E.BE	E. bE		Brake transistor err
Name	Internal circuit fault			
Description	The inverter trips when an internal circuit fault occurs.			
Corrective action	Please contact your sales representative.			

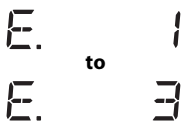
Operation panel indication	E.OS	E. OS	FR-LU08	Overspeed occurrence
Name	Overspeed occurrence			
Description	The inverter trips when the motor speed exceeds the Pr. 374 "Overspeed detection level" under PM motor control. This protective function is not available in the initial status.			
Check point	<ul style="list-style-type: none"> • Check that the Pr. 374 setting is correct. 			
Corrective action	<ul style="list-style-type: none"> • Set the Pr. 374 correctly. 			

Operation panel indication	E.LCI	E. LCI	FR-LU08	4 mA input fault
Name	4 mA input fault			
Description	The inverter trips when the analog input current is 2 mA or less for the time set in Pr. 778 "4 mA input check filter". This function is available when Pr. 573 "4 mA input check selection" = "2 or 3". (Refer to page 5-264.) This function is not available in the initial status.			
Check point	<ul style="list-style-type: none"> • Check for a break in the wiring for the analog current input. • Check that the Pr. 778 setting is not too short. 			
Corrective action	<ul style="list-style-type: none"> • Check the wiring for the analog current input. • Set the Pr. 778 setting larger. 			


Operation panel indication	E.PCH	E. PCH	FR-LU08	Pre-charge fault
Name	Pre-charge fault			
Description	<ul style="list-style-type: none"> • The inverter trips when the pre-charge time exceeds Pr. 764 "Pre-charge time limit". • The inverter trips when the measured value exceeds Pr. 763 "Pre-charge upper detection level" during pre-charging. • This function is available when Pr. 764 and Pr. 763 are set. This protective function is not available in the initial status. 			
Check point	<ul style="list-style-type: none"> • Check that the Pr. 764 setting is not too short. • Check that the Pr. 763 setting is not too small. • Check that the Pr. 127 "PID control automatic switchover frequency" setting is not too low. • Check for a break in the connection to the pump. 			
Corrective action	<ul style="list-style-type: none"> • Set the Pr. 764 setting longer. • Set the Pr. 763 setting larger. • Set the Pr. 127 setting higher. • Check the connection to the pump. 			

Operation panel indication	E.PID	E. PId	FR-LU08	PID signal fault
Name	PID signal fault			
Description	<p>The inverter trips if the measured value exceeds the PID upper limit or PID lower limit parameter setting, or the absolute deviation value exceeds the PID deviation parameter setting during PID control.</p> <p>Set this function in Pr. 131 "PID upper limit", Pr. 132 "PID lower limit", Pr. 553 "PID deviation limit", and Pr. 554 "PID signal operation selection". (Refer to page 5-353.)</p> <p>The inverter trips when the input pressure reaches the fault level under PID input pressure control. Use Pr. 1370 "Detection time for PID limiting operation" and Pr. 1379 "PID input pressure fault level" to set the function. (Refer to page 5-404.)</p> <p>This protective function is not available in the initial status.</p>			
Check point	<ul style="list-style-type: none"> • Check the meter for a failure or break. • Check that the parameter settings are correct. 			
Corrective action	<ul style="list-style-type: none"> • Check that the meter has no failure or break. • Set the parameters correctly. 			

Operation panel indication	E.EHR		FR-LU-08	Ethernet comm fault
Name	Ethernet communication fault (FR-F800-E only)			
Description	<ul style="list-style-type: none"> • Appears when Ethernet communication is interrupted by physical factors while Pr. 1431 "Ethernet signal loss detection function selection" = "3". • The inverter trips when Ethernet communication is cut off for the time set in Pr. 1432 "Ethernet communication check time interval" or longer between the inverter and all devices with the IP addresses in the range specified for the Ethernet command source selection (Pr. 1449 to Pr. 1454). • Stops the inverter output when excessive noise occurs around the inverter. • When the CC-Link IE Field Network Basic is used, the inverter output is shut off when the data addressed to the own station is not received for the predetermined timeout period or longer, or when the status bit of the cyclic transmission addressed to the own station turns OFF (when the master controller gives a command to stop the cyclic transmission). (For the details of the timeout period, status bit of the cyclic transmission, and command to stop the cyclic transmission, refer to the Instruction Manual of the master controller which supports the CC-Link IE Field Network Basic.) 			
Check point	<ul style="list-style-type: none"> • Check that the Ethernet board is installed onto the connector securely. • Check for a break in the Ethernet cable. • Check that the Pr. 1432 setting is not too short. • Check for excessive noise around the inverter. • When the CC-Link IE Field Network Basic is used, check that the timeout period set in the master is not shorter than the period during which the inverter does not receive the data addressed to the own station. • When the CC-Link IE Field Network Basic is used, check that the status bit of the cyclic transmission addressed to the own station is not OFF. 			
Corrective action	<ul style="list-style-type: none"> • Connect the Ethernet board securely. • Check that the Ethernet cable is correctly connected to the Ethernet connector. Check that the Ethernet cable is not broken. • Set a larger value in Pr.1432. • When excessive noise occurs around the inverter, change the communication setting of the master. (The noise may be reduced by setting a shorter timeout period or increasing the number of retries in the communication setting of the master.) • When the CC-Link IE Field Network Basic is used, set a timeout period longer than the period during which the inverter does not receive the data addressed to the own station. • When the CC-Link IE Field Network Basic is used, turn ON the status bit of the cyclic transmission addressed to the own station. 			

Operation panel indication	E. 1 to E. 3		FR-LU08	Fault 1 to Fault 3
Name	Option fault			
Description	The inverter trips when a contact fault is found between the inverter and the plug-in option, or when the communication option is not connected to the connector 1. Appears when the switch for manufacturer setting of the plug-in option is changed.			
Check point	<ul style="list-style-type: none"> • Check that the plug-in option is plugged into the connector properly. (1 to 3 indicate connector numbers for connection of options.) • Check for excessive noise around the inverter. • Check if the communication option is connected to the connector 2 or 3. 			
Corrective action	<ul style="list-style-type: none"> • Connect the plug-in option securely. • Take measures against noises if there are devices producing excess electrical noises around the inverter. If the situation does not improve after taking the above measure, please contact your sales representative. • Connect the communication option to the connector 1. • Set the switch on the plug-in option, which is for manufacturer setting, back to the initial setting. (Refer to the Instruction Manual of each option.) 			

6.5.5 Other messages

Operation panel indication	EV		FR-LU-08	—
Name	24 V external power supply operation			
Description	Flickers when the main circuit power supply is off and the 24 V external power supply is being input.			
Check point	<ul style="list-style-type: none"> Power is supplied from a 24 V external power supply. 			
Corrective action	<ul style="list-style-type: none"> Turning ON the power supply (main circuit) of the inverter clears the indication. If the indication is still displayed after turning ON of the power supply (main circuit) of the inverter, the power supply voltage may be low, or the jumper between the terminals P/+ and P1 may be disconnected. 			

NOTES

If protective functions with indication of "Fault" are activated when using the FR-PU07, "ERR" appears in the faults history of FR-PU07.

If faults other than the above appear, contact your sales representative.

6.6 Check first when you have a trouble

NOTE

If the cause is still unknown after every check, it is recommended to initialize the parameters, set the required parameter values and check again.

6.6.1 Motor does not start

Check points	Possible cause	Countermeasure	Refer to page
Main circuit	Appropriate power supply voltage is not applied. (Operation panel display is not provided.)	Power on a molded case circuit breaker (MCCB), an earth leakage circuit breaker (ELB), or a magnetic contactor (MC).	—
		Check for the decreased input voltage, input phase loss, and wiring.	—
		If only the control power is ON when using a separate power source for the control circuit, turn ON the main circuit power.	2-58
	Motor is not connected properly.	Check the wiring between the inverter and the motor. If the electronic bypass function is active, check the wiring of the magnetic contactor (MC) between the inverter and the motor.	2-34
	The jumper across P/+ to P1 is disconnected. A DC reactor (FR-HEL) is not connected.	Securely fit a jumper across P/+ and P1. When using a DC reactor (FR-HEL), remove the jumper across P/+ to P1, and then connect the DC reactor. Connect the DC reactor securely when required according to the capacity.	2-34, 2-80
Input signal	Start signal is not input.	Check the start command source, and input a start signal. PU operation mode: FWD key/REV key External operation mode: STF/STR signal	5-121
	Both the forward and reverse rotation start signals (STF, STR) are input simultaneously.	Turn ON only one of the forward and reverse rotation start signals (STF or STR). When the STF and STR signals are turned ON simultaneously in the initial setting, a stop command is given.	2-46
	Frequency command is zero. (FWD or REV LED on the operation panel is flickering.)	Check the frequency command source and enter a frequency command.	5-121
	AU signal is not ON when terminal 4 is used for frequency setting. (FWD or REV LED on the operation panel is flickering.)	Turn ON the AU signal. Turning ON the AU signal activates terminal 4 input.	5-255
	Output stop signal (MRS) or reset signal (RES) is ON. (FWD or REV LED on the operation panel is flickering.)	Turn MRS or RES signal OFF. Inverter starts the operation with a given start command and a frequency command after turning OFF MRS or RES signal. Before turning OFF, ensure the safety.	2-46

Check points	Possible cause	Countermeasure	Refer to page
Input signal	CS signal is OFF while the automatic restart after instantaneous power failure function is selected (Pr. 57 "Restart coasting time" ≠ 9999). (FWD or REV LED on the operation panel is flickering.)	Turn ON the automatic restart after instantaneous power failure/flying start (CS) signal. When the CS signal is assigned to an input terminal, automatic restart operation is enabled when the CS signal is turned ON.	5-415
	Jumper connector of sink - source is incorrectly selected. (FWD or REV LED on the operation panel is flickering.)	Check that the control logic switchover jumper connector is correctly installed. If it is not installed correctly, input signal is not recognized.	2-50
	Voltage/current input switch is not correctly set for analog input signal (0 to 5 V/0 to 10 V, 4 to 20 mA). (FWD or REV LED on the operation panel is flickering.)	Set Pr. 73 "Analog input selection", Pr. 267 "Terminal 4 input selection", and a voltage/current input switch correctly, then input an analog signal in accordance with the setting.	5-255
	STOP/RESET key was pressed. (Operation panel indication is "PS".)	During the External operation mode, check the method of restarting from a STOP/RESET key input stop from PU.	5-65, 6-14
	For the separated converter type, terminals RDA and SE of the converter unit are not connected to terminals MRS (X10 signal) and SD (PC for source logic) of the inverter respectively.	Check for the wiring.	Refer to the Instruction Manual (Hardware) of the FR-F802.
	Two-wire or three-wire type connection is incorrect.	Check the wiring. Use the Start self-holding selection (STP (STOP)) signal when the three-wire type is used.	5-293
Parameter setting	Under V/F control, Pr. 0 "Torque boost" setting is improper.	Increase the Pr. 0 setting by 0.5% increments while observing the rotation of a motor. If that makes no difference, decrease the setting.	5-535
	Pr. 78 "Reverse rotation prevention selection" is set.	Check the Pr. 78 setting. Set Pr. 78 when you want to limit the motor rotation to only one direction.	5-139
	Pr. 79 "Operation mode selection" setting is incorrect.	Select the operation mode which corresponds with input methods of start command and frequency command.	5-119
	Bias and gain (calibration parameters C2 to C7) settings are improper.	Check the bias and gain (calibration parameters C2 to C7) settings.	5-266
	Pr. 13 "Starting frequency" setting is greater than the running frequency.	Set running frequency higher than Pr.13. The inverter does not start if the frequency setting signal is less than the value set in Pr. 13.	5-115, 5-117
	Frequency settings of various running frequency (such as multi-speed operation) are zero. Especially, Pr. 1 "Maximum frequency" is zero.	Set the frequency command according to the application. Set Pr. 1 higher than the actual frequency used.	5-60, 5-176
	Pr. 15 "Jog frequency" is lower than Pr. 13 "Starting frequency" for JOG operation.	Set Pr. 15 higher than Pr. 13.	5-115, 5-117, 5-144
	Operation mode and a writing device do not correspond.	Check Pr. 79 "Operation mode selection", Pr. 338 "Communication operation command source", Pr. 339 "Communication speed command source", Pr. 550 "NET mode operation command source selection" and Pr. 551 "PU mode operation command source selection", and select an operation mode suitable for the purpose.	5-119, 5-130

Check points	Possible cause	Countermeasure	Refer to page
Parameter setting	Start signal operation selection is set by Pr. 250 "Stop selection".	Check the Pr. 250 setting and the connection of STF and STR signals.	5-293
	The motor has decelerated to a stop when power failure deceleration stop function is selected.	When power is restored, ensure the safety, and turn OFF the start signal once, then turn ON again to restart. When Pr. 261 "Power failure stop selection" = "2 or 12", the motor automatically restarts after the power is restored.	5-432
	Performing auto tuning.	When offline auto tuning ends, press STOP/RESET key of the operation panel for the PU operation. For the External operation, turn OFF the start signal (STF or STR). This operation resets the offline auto tuning, and the PU's monitor display returns to the normal indication. (Without this operation, next operation cannot be started.)	5-303, 5-427
	The automatic restart after instantaneous power failure function or power failure stop function has been activated. (Performing overload operation during input phase loss may cause voltage insufficiency, and that may result in detection of power failure.)	Set Pr. 872 "Input phase loss protection selection" = "1" (input phase failure protection active). Disable the automatic restart after instantaneous power failure function and power failure stop function. Reduce the load. Increase the acceleration time if the function was activated during acceleration.	5-163, 5-415, 5-423, 5-432
	The motor test operation is selected under PM motor control.	Check the Pr. 800 "Control method selection" setting.	5-41
	When the FR-HC2, FR-CV, or FR-CC2 is used, the input logic setting of the X10 signal is incorrect.	Set Pr. 599 = "0" (initial value for standard models) to use the X10 signal with the NO contact input specification, and Pr. 599 = "1" (initial value for separated converter types) to use the X10 signal with the NC contact input specification.	5-552
Load	Load is too heavy.	Reduce the load.	—
	Shaft is locked.	Inspect the machine (motor).	—

6.6.2 Motor or machine is making abnormal acoustic noise

Check points	Possible cause	Countermeasure	Refer to page
Input signal	Disturbance due to EMI when frequency or torque command is given from analog input (terminal 1, 2, 4).	Take countermeasures against EMI.	3-1
Parameter setting		Increase the Pr. 74 "Input filter time constant" if steady operation cannot be performed due to EMI.	5-264
Parameter setting	No carrier frequency noises (metallic noises) are generated.	In the initial setting, Pr. 240 "Soft-PWM operation selection" is enabled to change motor noise to an unoffending complex tone. Therefore, no carrier frequency noises (metallic noises) are generated. Set Pr. 240 = "0" to disable this function.	5-88
	The motor noise increases due to activation of the carrier frequency automatic reduction function when the motor is driven overloaded.	Reduce the load. Disable the automatic reduction function by setting Pr. 260 "PWM frequency automatic switchover" = "0".	5-88
	Resonance occurs. (output frequency)	Set Pr. 31 to Pr. 36, Pr. 552 (Frequency jump). When it is desired to avoid resonance attributable to the natural frequency of a mechanical system, these parameters allow resonant frequencies to be jumped.	5-178
	Resonance occurs. (carrier frequency)	Change Pr. 72 "PWM frequency selection" setting. Changing the PWM carrier frequency produces an effect on avoiding the resonance frequency of a mechanical system or a motor.	5-88
	Auto tuning is not performed under Advanced magnetic flux vector control.	Perform offline auto tuning.	5-303
	Gain adjustment during PID control is insufficient.	To stabilize the measured value, change the proportional band (Pr. 129) to a larger value, the integral time (Pr. 130) to a slightly longer time, and the differential time (Pr. 134) to a slightly shorter time. Check the calibration of set point and measured value.	5-353
	The gain is too high under PM motor control.	Check the setting values of Pr. 820 "Speed control P gain 1" and Pr. 824 "Torque control P gain 1 (current loop proportional gain)".	5-55
Others	Mechanical looseness	Adjust machine/equipment so that there is no mechanical looseness.	—
	Contact the motor manufacturer.		
Motor	Operating with output phase loss	Check the motor wiring.	—

6.6.3 Inverter generates abnormal noise

Check points	Possible cause	Countermeasure	Refer to page
Fan	Fan cover was not correctly installed when a cooling fan was replaced.	Install a fan cover correctly.	7-7

6.6.4 Motor generates heat abnormally

Check points	Possible cause	Countermeasure	Refer to page
Motor	Motor fan is not working (Dust is accumulated.)	Clean the motor fan. Improve the environment.	—
	Phase to phase insulation of the motor is insufficient.	Check the insulation of the motor.	—
Main circuit	The inverter output voltage (U, V, W) are unbalanced.	Check the output voltage of the inverter. Check the insulation of the motor.	7-7
Parameter setting	Pr. 71 "Applied motor" setting is incorrect.	Check the Pr. 71 "Applied motor" setting.	5-297
—	Motor current is large.	Refer to "6.6.11 Motor current is too large".	6-40

6.6.5 Motor rotates in the opposite direction

Check points	Possible cause	Countermeasure	Refer to page
Main circuit	Phase sequence of output terminals U, V and W is incorrect.	Connect phase sequence of the output cables (terminal U, V, W) to the motor correctly.	2-34
Input signal	The start signals (forward rotation, reverse rotation) are connected improperly.	Check the wiring. (STF: forward rotation, STR: reverse rotation)	2-46, 5-293
	The polarity of the frequency command is negative during the polarity reversible operation set by Pr. 73 "Analog input selection".	Check the polarity of the frequency command.	5-255

6.6.6 Speed greatly differs from the setting

Check points	Possible cause	Countermeasure	Refer to page
Input signal	Frequency setting signal is incorrectly input.	Measure the input signal level.	—
	The input signal lines are affected by external EMI.	Take countermeasures against EMI, such as using shielded wires for input signal lines.	3-6
Parameter setting	Pr. 1 "Maximum frequency," Pr. 2 "Minimum frequency," Pr. 18 "High speed maximum frequency", and calibration parameters C2 to C7 settings are improper.	Check the settings of Pr. 1, Pr. 2, and Pr. 18.	5-176
		Check the calibration parameters C2 to C7 settings.	5-266
	Pr. 31 to Pr. 36, Pr. 552 (frequency jump) settings are improper.	Narrow down the range of frequency jump.	5-178
Load	Stall prevention function is activated due to a heavy load.	Reduce the load weight.	—
Parameter setting		Set Pr. 22 "Stall prevention operation level" higher according to the load. (If Pr. 22 is set too high, an overcurrent trip (E.OC□) is likely to occur.)	5-180
Motor		Check the capacities of the inverter and the motor.	—

6.6.7 Acceleration/deceleration is not smooth

Check points	Possible cause	Countermeasure	Refer to page
Parameter setting	Acceleration/deceleration time is too short.	Increase the acceleration/deceleration time.	5-102
	Torque boost (Pr. 0, Pr. 46) setting is improper under V/F control, so the stall prevention function is activated.	Increase/decrease the Pr. 0 "Torque boost" setting value by 0.5% increments so that stall prevention does not occur.	5-535
	The base frequency does not match the motor characteristics.	Under V/F control, set Pr. 3 "Base frequency", Pr. 47 "Second V/F (base frequency)".	5-537
		Under Advanced magnetic flux vector control or PM motor control, set Pr. 84 "Rated motor frequency".	5-41
	Regeneration avoidance operation is performed	If the frequency becomes unstable during regeneration avoidance operation, decrease the setting of Pr. 886 "Regeneration avoidance voltage gain".	5-560
Load	Stall prevention function is activated due to a heavy load.	Reduce the load weight.	—
Parameter setting		Set Pr. 22 "Stall prevention operation level" higher according to the load. (If Pr. 22 is set too high, an overcurrent trip (E.OC□) is likely to occur.)	5-180
Motor		Check the capacities of the inverter and the motor.	—

6.6.8 Speed varies during operation

Under Advanced magnetic flux vector control the output frequency varies between 0 and 2 Hz as the load fluctuates. This is a normal operation and not a fault.

Check points	Possible cause	Countermeasure	Refer to page
Load	Load varies during an operation.	Select Advanced magnetic flux vector control.	5-41
Input signal	Frequency setting signal is varying.	Check the frequency setting signal.	—
	The frequency setting signal is affected by EMI.	Set filter to the analog input terminal using Pr. 74 "Input filter time constant", Pr. 822 "Speed setting filter 1".	5-264
		Take countermeasures against EMI, such as using shielded wires for input signal lines.	3-1
	Malfunction is occurring due to the undesirable current generated when the transistor output unit is connected.	Use terminal PC (terminal SD when source logic) as a common terminal to prevent a malfunction caused by undesirable current.	2-51
	Multi-speed command signal is chattering.	Take countermeasures to suppress chattering.	—
Parameter setting	Fluctuation of power supply voltage is too large.	Under V/F control, change the Pr. 19 "Base frequency voltage" setting (approximately by 3%).	5-537
	Pr. 80 "Motor capacity" and Pr. 81 "Number of motor poles" are not appropriate for the motor capacity under Advanced magnetic flux vector control, or PM motor control.	Check the settings of Pr. 80 and Pr. 81.	5-41
	Wiring length exceeds 30 m when Advanced magnetic flux vector control, or PM motor control is selected.	Perform offline auto tuning.	5-303
	Under V/F control, wiring is too long and a voltage drop occurs.	In the low-speed range, set 0.5% in Pr. 0 "Torque boost".	5-535
		Change the control method to Advanced magnetic flux vector control.	5-41
	Hunting occurs by the generated vibration, for example, when structural rigidity at load side is insufficient.	Disable automatic control functions, such as the energy saving operation, fast-response current limit operation regeneration avoidance function, Advanced magnetic flux vector control stall prevention, and online auto tuning. Under PID control, set smaller values to Pr. 129 "PID proportional band" and Pr. 130 "PID integral time". Adjust so that the control gain decreases and the level of safety increases.	—
		Change Pr. 72 "PWM frequency selection" setting.	5-88

6.6.9 Operation mode is not changed properly

Check points	Possible cause	Countermeasure	Refer to page
Input signal	Start signal (STF or STR) is ON.	Check that the STF and STR signals are off. When either is ON, the operation mode cannot be changed.	2-46, 5-293
Parameter setting	Pr. 79 "Operation mode selection" setting is improper.	When the Pr. 79 is set to "0 (initial value)", the operation mode is the External operation mode at power ON. To switch to the PU operation mode, press PU/EXT key on the operation panel (press PU key on the parameter unit (FR-PU07)). At other settings (1 to 4, 6, 7), the operation mode is limited accordingly.	5-119
	Operation mode and a writing device do not correspond.	Check Pr. 79 "Operation mode selection", Pr. 338 "Communication operation command source", Pr. 339 "Communication speed command source", Pr. 550 "NET mode operation command source selection" and Pr. 551 "PU mode operation command source selection", and select an operation mode suitable for the purpose.	5-119, 5-130

6.6.10 Operation panel (FR-DU08) display is not operating

Check points	Possible cause	Countermeasure	Refer to page
Main circuit	Power is not input.	Input the power.	2-25
Control circuit			
Front cover	Operation panel is not properly connected to the inverter.	Check if the inverter front cover is installed securely.	2-12

6.6.11 Motor current is too large

Check points	Possible cause	Countermeasure	Refer to page
Parameter setting	Torque boost (Pr. 0, Pr. 46) setting is improper under V/F control, so the stall prevention function is activated.	Increase/decrease the Pr. 0 "Torque boost" setting value by 0.5% increments so that stall prevention does not occur.	5-535
	V/F pattern is improper when V/F control is performed. (Pr. 3, Pr. 14, Pr. 19)	Set rated frequency of the motor to Pr. 3 "Base frequency".	5-537
		Use Pr. 19 "Base frequency voltage" to set the base voltage (for example, rated motor voltage).	
	Stall prevention function is activated due to a heavy load.	Change Pr. 14 "Load pattern selection" according to the load characteristic.	5-539
		Reduce the load weight.	—
		Set Pr. 22 "Stall prevention operation level" higher according to the load. (If Pr. 22 is set too high, an overcurrent trip (E.OC□) is likely to occur.)	5-180
	Offline auto tuning is not performed under Advanced magnetic flux vector control.	Check the capacities of the inverter and the motor.	—
Perform offline auto tuning.	5-303		
When PM motor control is selected for a PM motor other than MM-EFS/MM-THE4, and offline auto tuning is not performed.	Perform offline auto tuning for a PM motor.	5-316	

6.6.12 Speed does not accelerate

Check points	Possible cause	Countermeasure	Refer to page
Input signal	Start command and frequency command are chattering.	Check if the start command and the frequency command are correct.	—
	The wiring length used for analog frequency command is too long, and it is causing a voltage (current) drop.	Perform Analog input bias/gain calibration.	5-266
	The input signal lines are affected by external EMI.	Take countermeasures against EMI, such as using shielded wires for input signal lines.	3-6
Parameter setting	Pr. 1 "Maximum frequency", Pr. 2 "Minimum frequency", Pr. 18 "High speed maximum frequency", and calibration parameters C2 to C7 settings are improper.	Check the settings of Pr. 1 and Pr. 2 and set Pr. 18.	5-176
		Check the calibration parameters C2 to C7 settings.	5-266
	The maximum voltage (current) input value is not set during the External operation. (Pr. 125, Pr. 126, Pr. 18)	Check the settings of Pr. 125 "Terminal 2 frequency setting gain frequency" and Pr. 126 "Terminal 4 frequency setting gain frequency". To operate at 120 Hz or higher, set Pr. 18 "High speed maximum frequency".	5-176, 5-266
	Torque boost (Pr. 0, Pr. 46) setting is improper under V/F control, so the stall prevention function is activated.	Increase/decrease the Pr. 0 "Torque boost" setting value by 0.5% increments so that stall prevention does not occur.	5-535
	V/F pattern is improper when V/F control is performed. (Pr. 3, Pr. 14, Pr. 19)	Set rated frequency of the motor to Pr. 3 "Base frequency". Use Pr. 19 "Base frequency voltage" to set the base voltage (for example, rated motor voltage).	5-537
		Change Pr. 14 "Load pattern selection" according to the load characteristic.	5-539
	Stall prevention function is activated due to a heavy load.	Reduce the load weight.	—
		Set Pr. 22 "Stall prevention operation level" higher according to the load. (If Pr. 22 is set too high, an overcurrent trip (E.O.C□) is likely to occur.)	5-180
		Check the capacities of the inverter and the motor.	—
	Auto tuning is not performed under Advanced magnetic flux vector control.	Perform offline auto tuning.	5-303
The setting of pulse train input is improper.	Check the specification of the pulse generator (open collector output or complementary output) and check the adjustment of the pulse train and frequency (Pr. 385 "Frequency for zero input pulse" and Pr. 386 "Frequency for maximum input pulse").	5-140	
During PID control, output frequency is automatically controlled to make measured value = set point.		5-353	

6.6.13 Unable to write parameter setting

Check points	Possible cause	Countermeasure	Refer to page
Input signal	Operation is being performed (signal STF or STR is ON).	Stop the operation. When Pr. 77 "Parameter write selection" = "0" (initial value), write is enabled only during a stop.	5-72
Parameter setting	You are attempting to set the parameter in the External operation mode.	Choose the PU operation mode. Or, set Pr. 77 "Parameter write selection" = "2" to enable parameter write regardless of the operation mode.	5-72, 5-119
	Parameter write is disabled by the Pr. 77 "Parameter write selection" setting.	Check the Pr. 77 setting.	5-72
	Key lock mode is enabled by the Pr. 161 "Frequency setting/key lock operation selection" setting.	Check the Pr. 161 setting.	5-69
	Operation mode and a writing device do not correspond.	Check Pr. 79, Pr. 338, Pr. 339, Pr. 550 and Pr. 551, and select an operation mode suitable for the purpose.	5-119, 5-130
	<ul style="list-style-type: none"> • Pr. 72 "PWM frequency selection" was attempted to be set to "25". • Alternatively, PM motor control was attempted while Pr. 72 = "25". 	Pr. 72 = "25" cannot be set under PM motor control. (A sine wave filter (MT-BSL/BSC) cannot be used under PM motor control.)	5-88

6.6.14 Power lamp is not lit

Check points	Possible cause	Countermeasure	Refer to page
Main circuit	Wiring or installation is improper.	Check for the wiring and the installation. Power lamp is lit when power is supplied to the control circuit (R1/L11, S1/L21).	2-33
Control circuit			

7 Precautions for maintenance and inspection

The inverter is a static unit mainly consisting of semiconductor devices. Daily inspection must be performed to prevent any fault from occurring due to the adverse effects of the operating environment, such as temperature, humidity, dust, dirt and vibration, changes in the parts with time, service life, and other factors.

**WARNING:**

The bus capacitor discharge time is 10 minutes. Before starting wiring or inspection, switch power off, wait for more than 10 minutes, and then make sure that the voltage across the main circuit terminals P/+ and N/- of the inverter is not more than 30 VDC using a tester, etc., to avoid a hazard of electrical shock.

7.1 Inspection item

7.1.1 Daily inspection

Basically, check for the following faults during operation.

- Motor operation fault
- Improper installation environment
- Cooling system fault
- Abnormal vibration, abnormal noise
- Abnormal overheat, discoloration

7.1.2 Periodic inspection

Check the areas inaccessible during operation and requiring periodic inspection.

Consult us for periodic inspection.

- Check and clean the cooling system. Clean the air filter, etc.
- Check the tightening and retighten. The screws and bolts may become loose due to vibration, temperature changes, etc. Check and tighten them. Tighten them according to the specified tightening torque. (Refer to page 2-37.)
- Check the conductors and insulating materials for corrosion and damage.
- Measure the insulation resistance.
- Check and change the cooling fan and relay.

NOTE

When using the safety stop function, periodic inspection is required to confirm that safety function of the safety system operates correctly.
For more details, refer to the Safety stop function instruction manual.

7.1.3 Daily and periodic inspection

Area of inspection	Inspection item	Description	Inspection interval		Corrective action at fault occurrence	Check by the user	
			Daily	Periodic ^③			
General	Surrounding environment	Check the surrounding air temperature, humidity, dirt, corrosive gas, oil mist, etc.	○		Improve the environment.		
	Overall unit	Check for unusual vibration and noise.	○		Check fault location and retighten.		
		Check for dirt, oil, and other foreign material. ^①	○		Clean.		
	Power supply voltage	Check that the main circuit voltages and control voltages are normal. ^②	○		Inspect the power supply.		
Main circuit	General	(1) Check with megger (across main circuit terminals and earth (ground) terminal).		○	Contact the manufacturer.		
		(2) Check for loose screws and bolts.		○	Retighten.		
		(3) Check for overheat traces on the parts.		○	Contact the manufacturer.		
		(4) Check for stain.		○	Clean.		
	Conductors, cables	(1) Check conductors for distortion. (2) Check cable sheaths for breakage and deterioration (crack, discoloration, etc.).		○	Contact the manufacturer. Contact the manufacturer.		
	Transformer/reactor	Check for unusual odor and abnormal increase of whining sound.	○		Stop the equipment and contact the manufacturer.		
	Terminal block	Check for a damage.		○	Stop the equipment and contact the manufacturer.		
	Smoothing aluminium electrolytic capacitor	(1) Check for liquid leakage. (2) Check for safety valve projection and bulge. (3) Visual check and judge by the life check of the main circuit capacitor. (Refer to page 7-6.)		○	Contact the manufacturer. Contact the manufacturer.		
	Relay/contactator	Check that the operation is normal and no chattering sound is heard.		○	Contact the manufacturer.		
Control circuit, protective circuit	Operation check			○	Contact the manufacturer.		
	Components check	Overall	(1) Check for unusual odor and discoloration. (2) Check for serious rust development.		○	Stop the equipment and contact the manufacturer. Contact the manufacturer.	
		Aluminium electrolytic capacitor	(1) Check for liquid leakage in a capacitor and deformation trace. (2) Visual check and judge by the life check of the control circuit capacitor. (Refer to page 7-6.)		○	Contact the manufacturer.	

Tab. 7-1: Daily and periodic inspection (1)

Area of inspection	Inspection item	Description	Inspection interval		Corrective action at fault occurrence	Check by the user
			Daily	Periodic ^③		
Cooling system	Cooling fan	(1) Check for unusual vibration and noise. (2) Check for loose screws and bolts. (3) Check for stain.	<input type="radio"/>	<input type="radio"/>	Replace the fan. Fix with the fan cover fixing screws Clean.	
	Heatsink	(1) Check for clogging. (2) Check for stain.		<input type="radio"/>	Clean. Clean.	
Display	Indication	(1) Check that display is normal. (2) Check for stain.	<input type="radio"/>	<input type="radio"/>	Contact the manufacturer. Clean.	
	Meter	Check that reading is normal.	<input type="radio"/>		Stop the equipment and contact the manufacturer.	
Load motor	Operation check	Check for vibration and abnormal increase in operation noise.	<input type="radio"/>		Stop the equipment and contact the manufacturer.	

Tab. 7-1: Daily and periodic inspection (2)

- ① Oil component of the heat dissipation grease used inside the inverter may leak out. The oil component, however, is not flammable, corrosive, nor conductive and is not harmful to humans. Wipe off such oil component.
- ② It is recommended to install a voltage monitoring device for checking the voltage of the power supplied to the inverter.
- ③ One to two years of periodic inspection cycle is recommended. However, it differs according to the installation environment. Consult us for periodic inspection.



CAUTION:

Continuous use of a leaked, deformed, or degraded smoothing aluminium electrolytic capacitor (as shown in the table above) may lead to a burst, breakage or fire. Replace such a capacitor without delay.

7.1.4 Checking the inverter and converter modules

Preparation

- Disconnect the external power supply cables (R/L1, S/L2, T/L3) and motor cables (U, V, W).
- Prepare a tester. (For the resistance measurement, use the 100 Ω range.)

Checking method

Change the polarity of the tester alternately at the inverter terminals R/L1, S/L2, T/L3, U, V, W, P/+, and N/- and check the electric continuity.

NOTES

Before measurement, check that the smoothing capacitor is discharged.

At the time of electric discontinuity, the measured value is almost ∞. When there is an instantaneous electric continuity, due to the smoothing capacitor, the tester may not indicate ∞. At the time of electric continuity, the measured value is several Ω to several tens of Ω. If all measured values are almost the same, although these values are not constant depending on the module type and tester type, the modules are without fault.

Module device numbers and terminals to be checked

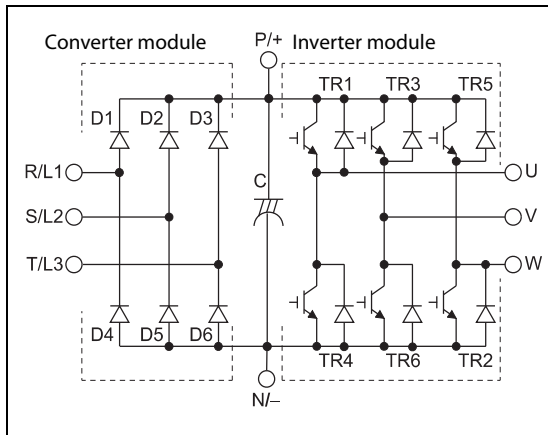


Fig. 7-1: Module device numbers and terminals to be checked

1001305E

		Tester polarity		Result	Tester polarity		Result	
		⊕	⊖		⊕	⊖		
Converter module	D1	R/L1	P/+	Discontinuity	D4	R/L1	N/-	Continuity
		P/+	R/L1	Continuity		N/-	R/L1	Discontinuity
	D2	S/L2	P/+	Discontinuity	D5	S/L2	N/-	Continuity
		P/+	S/L2	Continuity		N/-	S/L2	Discontinuity
	D3	T/L3	P/+	Discontinuity	D6	T/L3	N/-	Continuity
		P/+	T/L3	Continuity		N/-	T/L3	Discontinuity
Inverter module	TR1	U	P/+	Discontinuity	TR4	U	N/-	Continuity
		P/+	U	Continuity		N/-	U	Discontinuity
	TR3	V	P/+	Discontinuity	TR6	V	N/-	Continuity
		P/+	V	Continuity		N/-	V	Discontinuity
	TR5	W	P/+	Discontinuity	TR2	W	N/-	Continuity
		P/+	W	Continuity		N/-	W	Discontinuity

Tab. 7-2: Continuity check of the modules

(Assumes the use of an analog meter.)

7.1.5 Cleaning

Always run the inverter in a clean status.

When cleaning the inverter, gently wipe dirty areas with a soft cloth immersed in neutral detergent or ethanol.

NOTES

Do not use solvent, such as acetone, benzene, toluene and alcohol, as these will cause the inverter surface paint to peel off.

The display, etc. of the operation panel and the parameter unit are vulnerable to detergent and alcohol. Therefore, avoid using them for cleaning.

7.1.6 Replacement of parts

The inverter consists of many electronic parts such as semiconductor devices.

The following parts may deteriorate with age because of their structures or physical characteristics, leading to reduced performance or fault of the inverter. For preventive maintenance, the parts must be replaced periodically.

Use the life check function as a guidance of parts replacement.

Part name	Estimated lifespan ^①	Description
Cooling fan	10 years	Replace (as required)
Main circuit smoothing capacitor	10 years ^②	Replace (as required)
On-board smoothing capacitor	10 years ^②	Replace the board (as required)
Relays	—	As required
Main circuit fuse (FR-F840-04320(185K) or higher)	10 years	Replace the fuse (as required)

Tab. 7-3: Wearing parts

① Estimated lifespan for when the yearly average surrounding air temperature is 40 °C.
(Without corrosive gas, flammable gas, oil mist, dust and dirt etc.)

② Output current: 80% of the inverter rating

NOTES

For parts replacement, contact the nearest Mitsubishi FA center.

Displaying the life of the inverter parts

The inverter diagnoses the main circuit capacitor, control circuit capacitor, cooling fan, and inrush current limit circuit by itself and estimates their lives.

The self-diagnostic warning is output when the life span of each part is near its end. It gives an indication of replacement time.

The life warning output can be used as a guideline for life judgment.

Parts	Judgment level
Main circuit capacitor	85% of the initial capacity
Control circuit capacitor	Estimated remaining life 10%
Inrush current limit circuit	Estimated remaining life 10% (Power ON: 100,000 times left)
Cooling fan	Less than 50% of the specified speed. ①

Tab. 7-4: Guideline for the warning signal output

① Initial values differ according to the inverter capacity (refer to page 5-94 for details).

NOTE

Refer to page 5-91 to perform the life check of the inverter parts.

Replacement procedure of the cooling fan

The replacement interval of the cooling fan used for cooling the parts generating heat such as the main circuit semiconductor is greatly affected by the surrounding air temperature. When unusual noise and/or vibration are noticed during inspection, the cooling fan must be replaced immediately.

- Removal (FR-F820-00105(2.2K) to 04750(110K), FR-F840-00083(3.7K) to 03610(160K))

- ① Push the hooks from above and remove the fan cover.

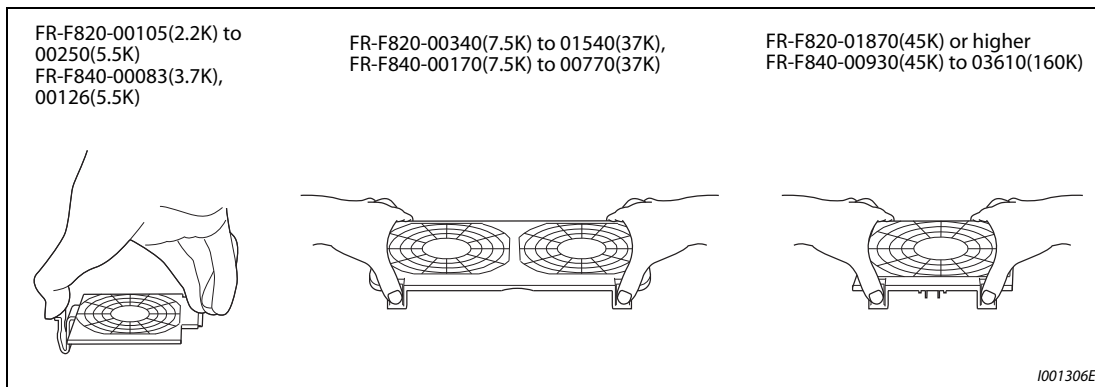


Fig. 7-2: Removal of the fan cover

- ② Disconnect the fan connectors.

- ③ Remove the fan.

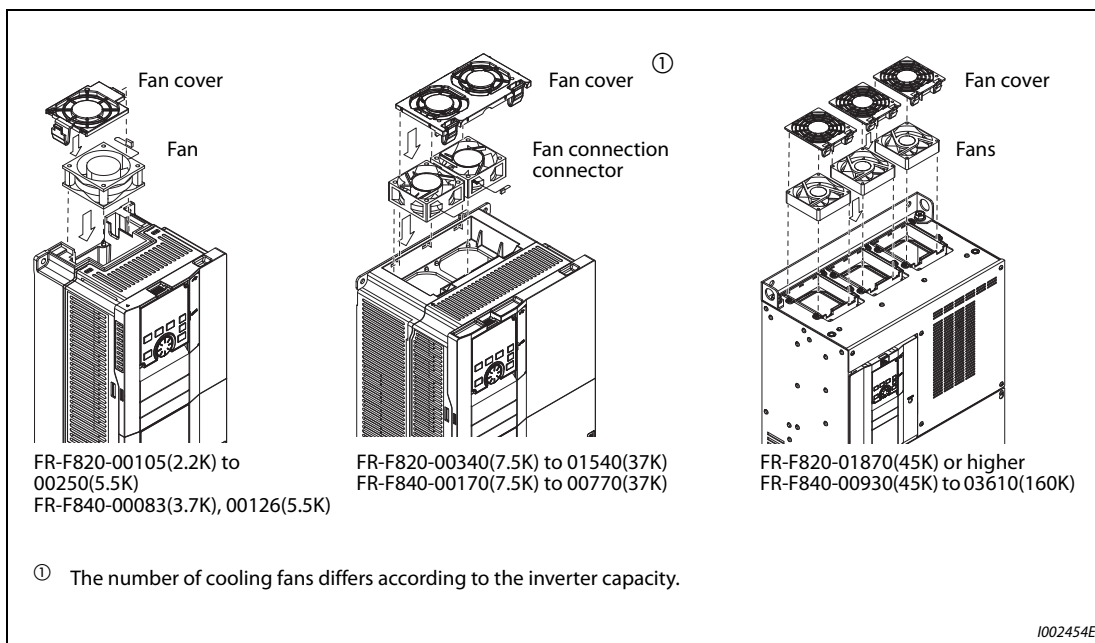


Fig. 7-3: Removal of the fan

① The number of cooling fans differs according to the inverter capacity.

- Reinstallation (FR-F820-00105(2.2K) to 04750(110K), FR-F840-00083(3.7K) to 03610(160K))
- ① After confirming the orientation of the fan, reinstall the fan so that the "AIR FLOW" faces up.

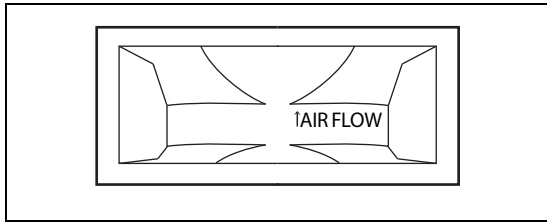
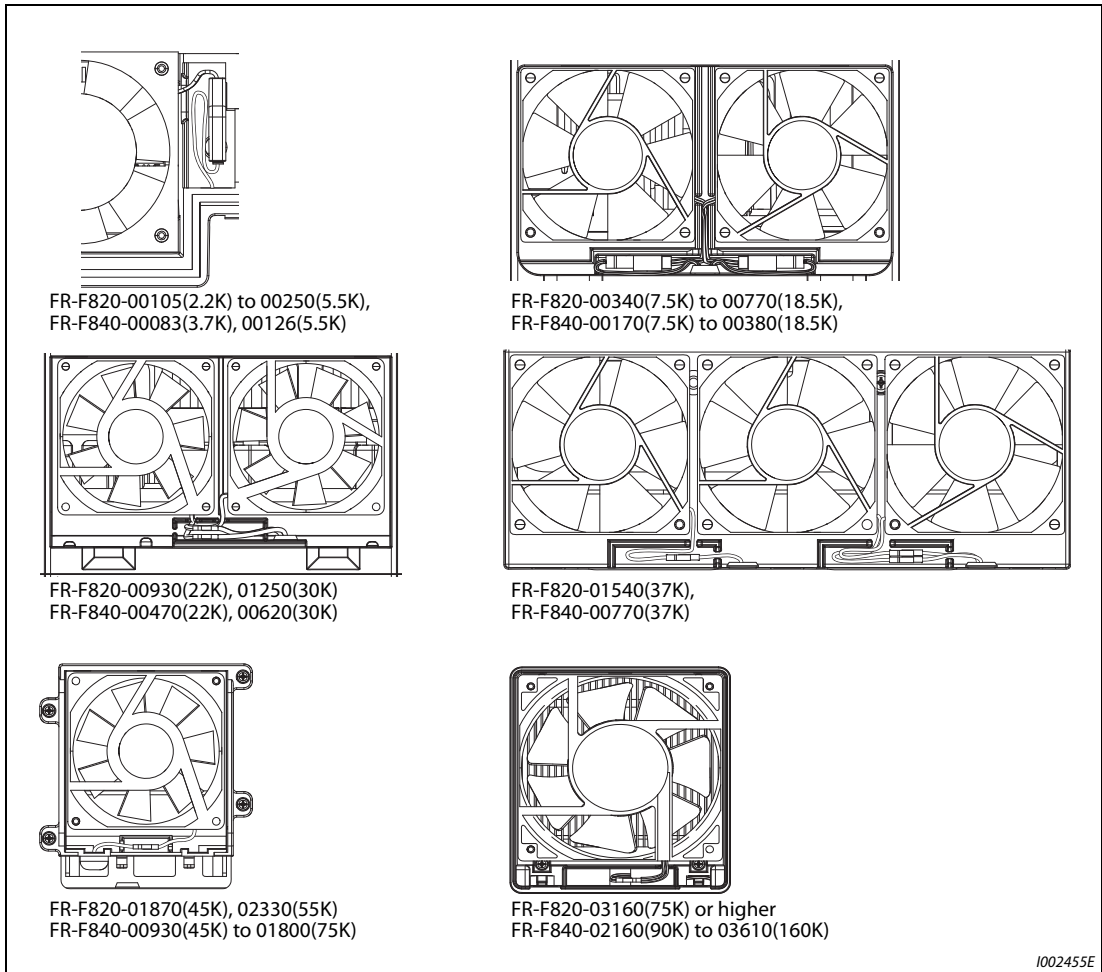


Fig. 7-4:
Orientation of the fan

1002456E

- ② Reconnect the fan connectors.



1002455E

Fig. 7-5: Connection of the fan

③ Reinstall the fan cover.

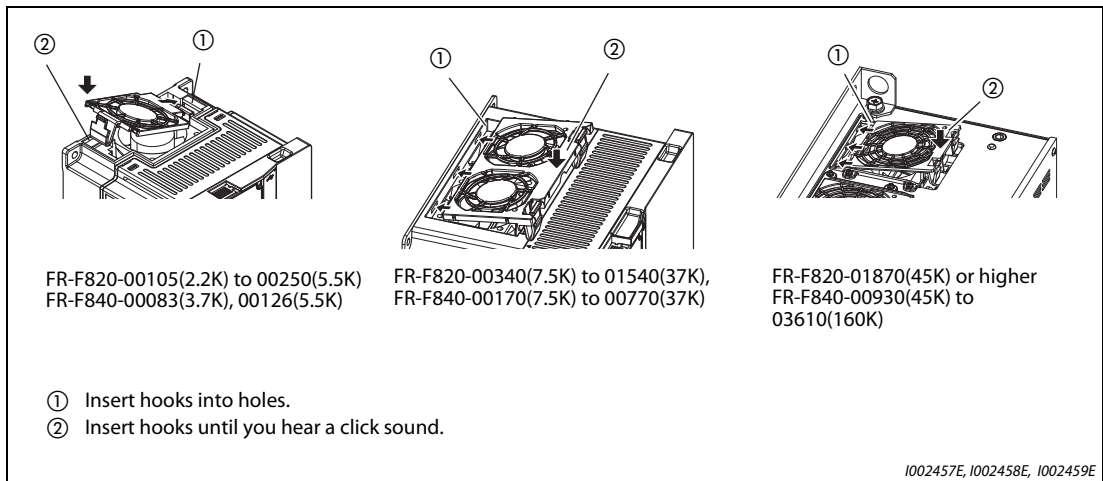


Fig. 7-6: Reinstall the fan cover

● Removal (FR-F840-04320(185K) or higher)

- ① Remove the fan cover fixing screws, and remove the fan cover.
- ② Disconnect the fan connector and remove the fan block.
- ③ Remove the fan fixing screws, and remove the fan.

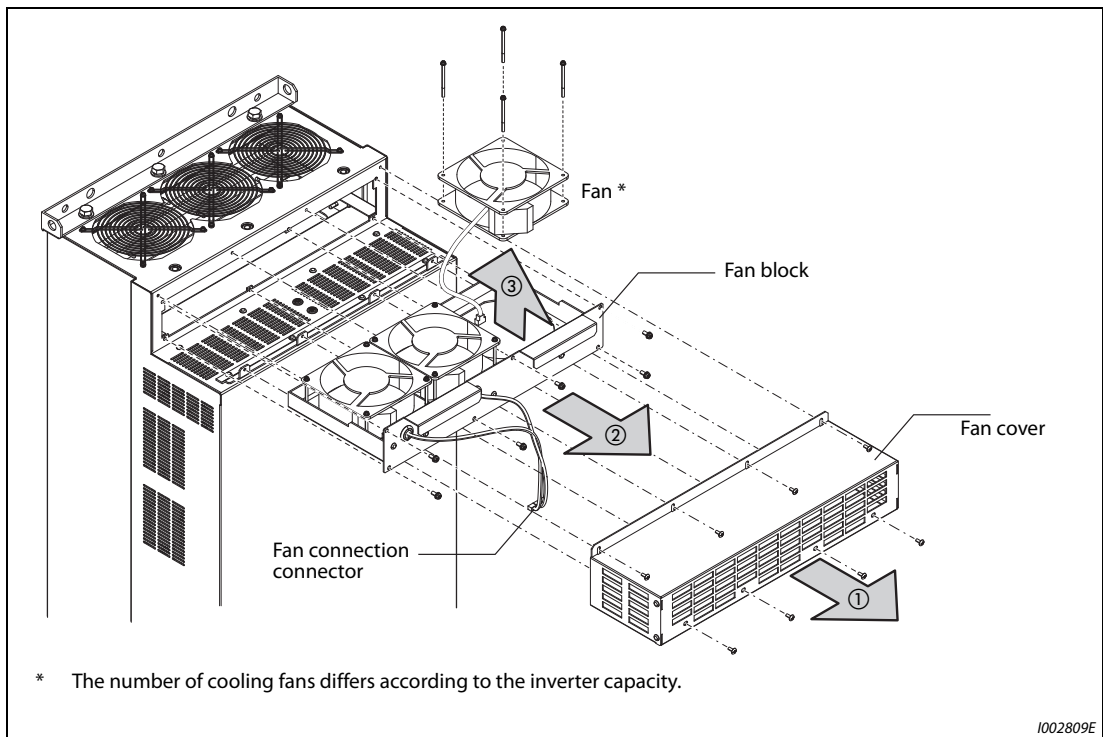


Fig. 7-7: Removal of the fan (FR-F840-04320(185K) or higher)

- Reinstallation (FR-F840-04320(185K) or higher)
- ① After confirming the orientation of the fan, reinstall the fan so that the arrow on the left of "AIR FLOW" faces up.

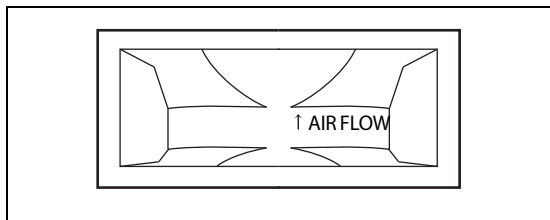


Fig. 7-8:
Fan side face

1002456E

- ② Install fans referring to the above figure.

NOTES

- | Installing the fan in the opposite direction of air flow can cause the inverter life to be shorter.
- | Prevent the cable from being caught when installing a fan.
- | Switch the power OFF before replacing fans. Since the inverter circuits are charged with voltage even after power OFF, replace fans only when the inverter cover is on the inverter to prevent an electric shock accident.

Smoothing capacitors

A large-capacity aluminium electrolytic capacitor is used for smoothing in the main circuit DC section, and an aluminium electrolytic capacitor is used for stabilizing the control power in the control circuit. Their characteristics are deteriorated by the adverse effects of ripple currents, etc. The replacement intervals greatly vary with the surrounding air temperature and operating conditions. When the inverter is operated in air-conditioned, normal environment conditions, replace the capacitors about every 10 years.

The appearance criteria for inspection are as follows:

- Case: Check the side and bottom faces for expansion.
- Sealing plate: Check for remarkable warp and extreme crack.
- Check for external crack, discoloration, liquid leakage, etc. Judge that the capacitor has reached its life when the measured capacitance of the capacitor reduced below 80% of the rating.

NOTE

| The inverter diagnoses the main circuit capacitor and control circuit capacitor by itself and can judge their lives. (Refer to page 5-91.)

Relays

To prevent a contact fault, etc., relays must be replaced according to the cumulative number of switching times (switching life).

Main circuit fuse inside the inverter (FR-F840-04320(185K) or higher)

A fuse is used inside the inverter. Surrounding air temperature and operating condition affect the life of fuses. When the inverter is used in a normal air-conditioned environment, replace its fuse after about 10 years.

7.1.7 Inverter replacement

The inverter can be replaced with the control circuit wiring kept connected. Before replacement, remove the wiring cover of the inverter.

- ① Loosen the two mounting screws at the both side of the control circuit terminal block. (These screws cannot be removed.) Slide down the control circuit terminal block to remove it.

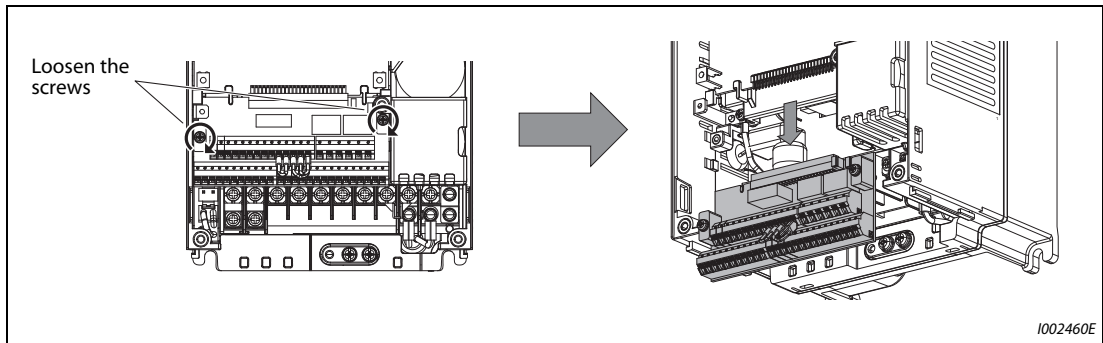


Fig. 7-9: Removal of the terminal block

- ② Be careful not to bend the pins of the inverter's control circuit connector, reinstall the control circuit terminal block and fix it with the mounting screws.

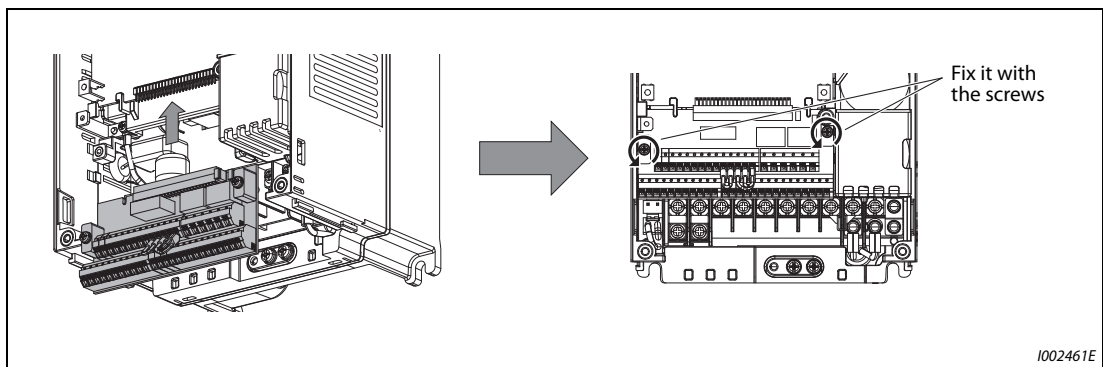


Fig. 7-10: Reinstallation of the terminal block

NOTE

Before starting inverter replacement, switch power OFF, wait for at least 10 minutes, and then check the voltage with a tester and such to ensure safety.

7.2 Measurement of main circuit voltages, currents and powers

Since the voltages and currents on the inverter power supply and output sides include harmonics, measurement data depends on the instruments used and circuits measured.

When instruments for commercial frequency are used for measurement, measure the following circuits with the instruments given on the next page.

- When installing meters etc. on the inverter output side

When the inverter-to-motor wiring length is large, especially in the 400 V class, small-capacity models, the meters and CTs may generate heat due to line-to-line leakage current. Therefore, choose the equipment which has enough allowance for the current rating.

To measure and display the output voltage and output current of the inverter, it is recommended to use the terminal AM and FM/CA output functions of the inverter.

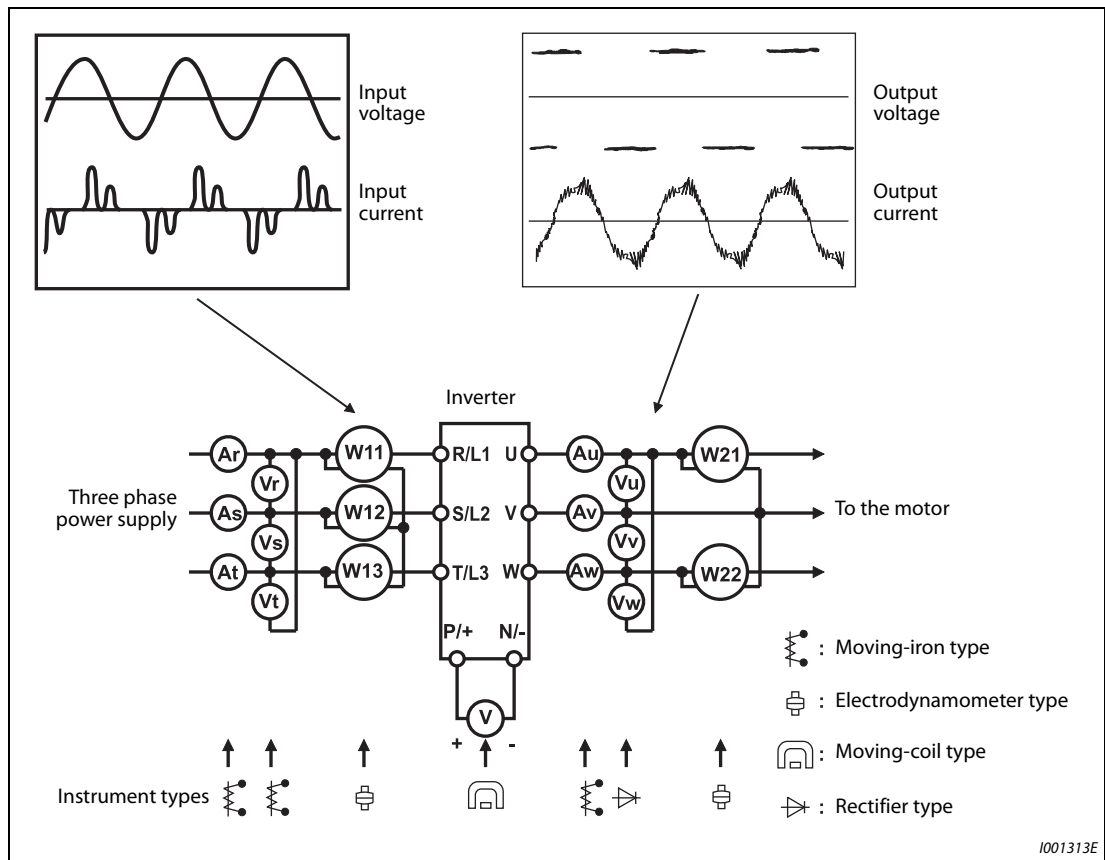
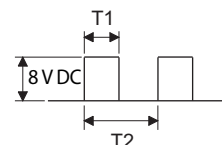


Fig. 7-11: Examples of measuring points and instruments

Measuring points and instruments

Item	Measuring point	Measuring instrument	Remarks (reference measured value)	
Power supply voltage V1	Across R/L1 and S/L2, S/L2 and T/L3, T/L3 and R/L1	Moving-iron type AC voltmeter ④	Commercial power supply Within permissible AC voltage fluctuation (Refer to page 8-1.)	
Power supply side current I1	R/L1, S/L2, T/L3 line current	Moving-iron type AC ammeter ④		
Power supply side power P1	R/L1, S/L2, T/L3 and Across R/L1 and S/L2, S/L2 and T/L3, T/L3 and R/L1	Digital power meter (for inverter) or electrodynamic type single-phase wattmeter	P1 = W11 + W12 + W13 (3-wattmeter method)	
Power supply side power factor Pf1	Calculate after measuring power supply voltage, power supply side current and power supply side power. $Pf_1 = \frac{P_1}{\sqrt{3}V_1 \times I_1} \times 100 \%$			
Output side voltage V2	Across U and V, V and W, and W and U	Rectifier type AC voltage meter ① ④ (moving-iron type cannot measure.)	Difference between the phases is within 1% of the maximum output voltage.	
Output side current I2	U, V and W line currents	Moving-iron type AC ammeter ② ④	Difference between the phases is 10% or lower of the inverter rated current.	
Output side power P2	U, V, W and across U and V, V and W	Digital power meter (for inverter) or electrodynamic type single-phase wattmeter	P2 = W21 + W22 2-wattmeter method (or 3-wattmeter method)	
Output side power factor Pf2	Calculate in similar manner to power supply side power factor. $Pf_2 = \frac{P_2}{\sqrt{3}V_2 \times I_2} \times 100 \%$			
Converter output	Across P/+ and N/-	Moving-coil type (such as tester)	Inverter LED is lit. 1.35 × V1	
Frequency setting signal	Across 2, 4(+) and 5 Across 1(+) and 5	Moving-coil type (tester and such may be used.) (internal resistance 50 kΩ or more)	0 to 10 V DC, 4 to 20 mA	
Frequency setting power supply	Across 10(+) and 5 Across 10E(+) and 5		0 to ±5 V DC and 0 to ±10 V DC	
			5.2 V DC	
Frequency meter signal	Across AM(+) and 5 Across CA(+) and 5 Across FM(+) and SD		10 V DC	"5" is common
			Approximately 10 V DC at maximum frequency (without frequency meter)	
			Approximately 20 mA DC at maximum frequency	
Start signal Select signal Reset signal Output stop signal	Across STF, STR, RH, RM, RL, JOG, RT, AU, STP (STOP), CS, RES, MRS(+) and SD (for sink logic)	Approximately 5 V DC at maximum frequency (without frequency meter)	"SD" is common	
		When open 20 to 30 V DC ON voltage: 1 V or less		

Tab. 7-5: Measuring Points and Instruments (1)



Pulse width T1: Adjust with C0 (Pr. 900).
Pulse cycle T2: Set with Pr. 55. (frequency monitor only)

Item	Measuring point	Measuring instrument	Remarks (reference measured value)
Fault signal	Across A1 and C1 Across B1 and C1	Moving-coil type (such as tester)	Continuity check ^③
			[Normal] [Fault]
			Across A1 and C1 Discontinuity Continuity Across B1 and C1 Continuity Discontinuity

Tab. 7-5: Measuring Points and Instruments (2)

- ① Use an FFT to measure the output voltage accurately. A tester or general measuring instrument cannot measure accurately.
- ② When the carrier frequency exceeds 5 kHz, do not use this instrument since using it may increase eddy current losses produced in metal parts inside the instrument, leading to burnout. In this case, use an approximate-effective value type.
- ③ When the setting of Pr. 195 "ABC1 terminal function selection" is the positive logic
- ④ A digital power meter (designed for inverter) can also be used to measure.

7.2.1 Measurement of powers

Use digital power meters (for inverter) for the both of inverter input and output side. Alternatively, measure using electrodynamic type single-phase wattmeters for the both of inverter input and output side in two-wattmeter or three-wattmeter method. As the current is liable to be imbalanced especially in the input side, it is recommended to use the three-wattmeter method.

Examples of measured value differences produced by different measuring meters are shown below.

An error will be produced by difference between measuring instruments, e.g. power calculation type and two- or three-wattmeter type three-phase wattmeter. When a CT is used in the current measuring side or when the meter contains a PT on the voltage measurement side, an error will also be produced due to the frequency characteristics of the CT and PT.

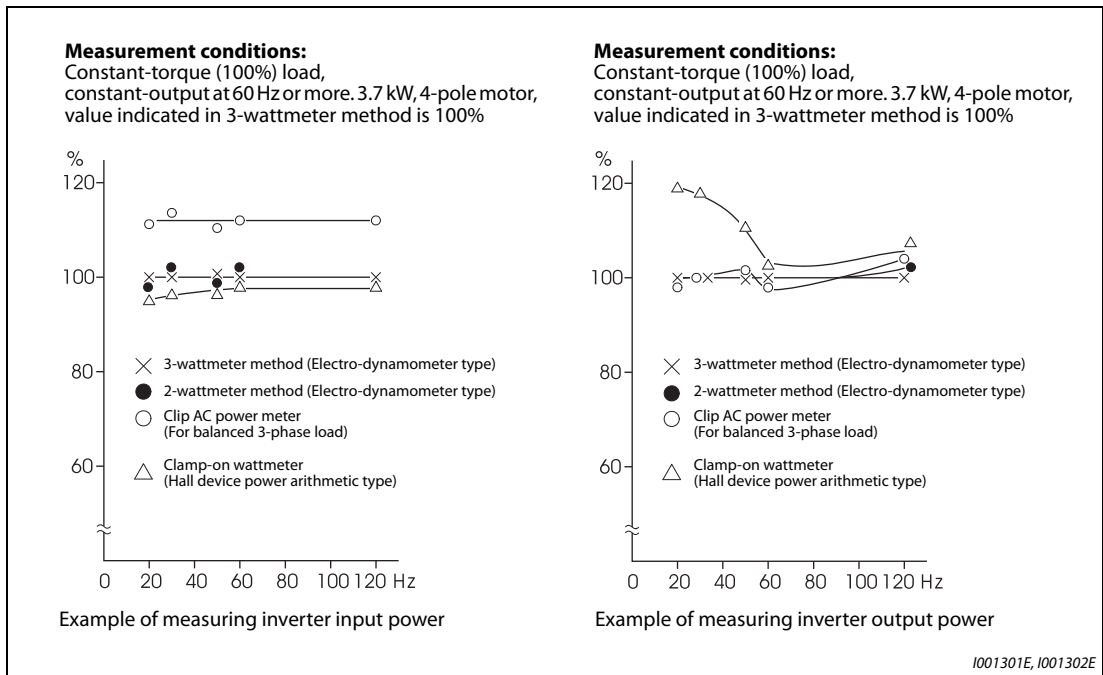


Fig. 7-12: Differences when measuring power with different instruments

7.2.2 Measurement of voltages and use of PT

Inverter input side

As the input side voltage has a sine wave and it is extremely small in distortion, accurate measurement can be made with an ordinary AC meter.

Inverter output side

Since the output side voltage has a PWM-controlled rectangular wave, always use a rectifier type voltmeter.

A needle type tester cannot be used to measure the output side voltage as it indicates a value much greater than the actual value.

A moving-iron type meter indicates an effective value which includes harmonics and therefore the value is larger than that of the fundamental wave.

The value monitored on the operation panel is the inverter-controlled voltage itself. Hence, that value is accurate and it is recommended to monitor values (analog output) using the operation panel.

PT

No PT can be used in the output side of the inverter. Use a direct-reading meter. (A PT can be used in the input side of the inverter.)

7.2.3 Measurement of currents

Use moving-iron type meters on both the input and output sides of the inverter.

However, if the carrier frequency exceeds 5 kHz, do not use that meter since an overcurrent losses produced in the internal metal parts of the meter will increase and the meter may burn out. In this case, use an approximate-effective value type.

Since current on the inverter input side tends to be unbalanced, measurement of three phases is recommended. Correct value cannot be obtained by measuring only one or two phases. On the other hand, the unbalanced ratio of each phase of the output side current should be within 10%.

When a clamp ammeter is used, always use an effective value detection type. A mean value detection type produces a large error and may indicate an extremely smaller value than the actual value.

The value monitored on the operation panel is accurate if the output frequency varies, and it is recommended to monitor values (provide analog output) using the operation panel.

Examples of measured value differences produced by different measuring meters are shown below.

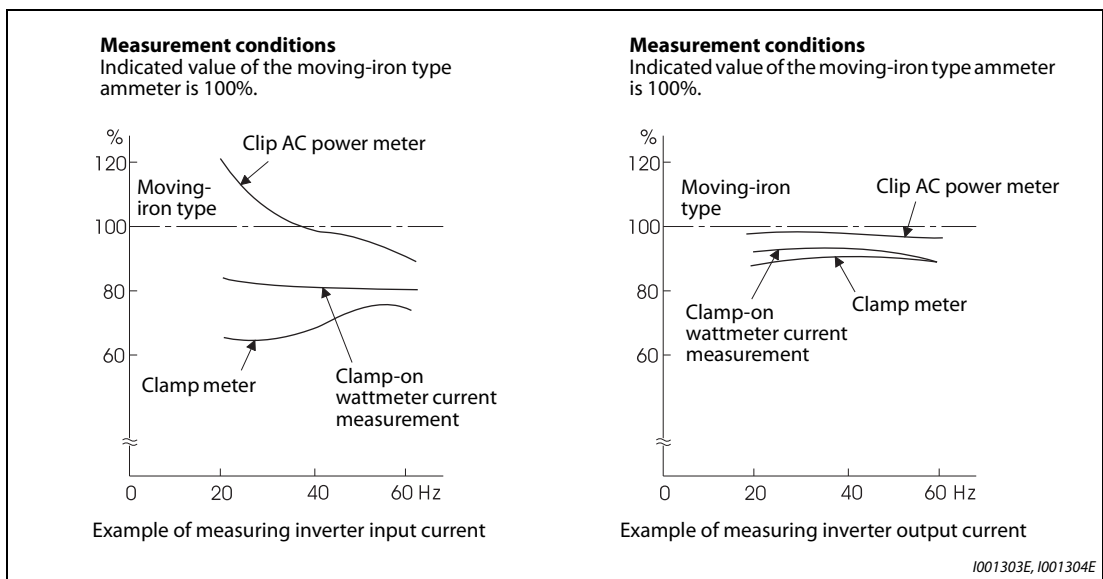


Fig. 7-13: Differences when measuring currents with different instruments

7.2.4 Use of CT and transducer

A CT may be used in both the input and output sides of the inverter. Use the one with the largest possible VA ability because an error will increase if the frequency gets lower.

When using a transducer, use the effective value calculation type which is immune to harmonics.

7.2.5 Measurement of inverter input power factor

Calculate using effective power and apparent power. A power-factor meter cannot indicate an exact value.

$$\begin{aligned} \text{Total power factor of the inverter} &= \frac{\text{Effective power}}{\text{Apparent power}} \\ &= \frac{\text{Three-phase input power found by the 3-wattmeter method}}{\sqrt{3} \times V (\text{power supply voltage}) \times I (\text{input current effective value})} \end{aligned}$$

7.2.6 Measurement of converter output voltage (across terminals P and N)

The output voltage of the converter is output across terminals P and N and can be measured with a moving-coil type meter (tester). Although the voltage varies according to the power supply voltage, approximately 270 V DC to 300 V DC (540 V DC to 600 V DC for the 400 V class) is output when no load is connected and voltage decreases during driving load operation.

When energy is regenerated from the motor during deceleration, for example, the converter output voltage rises to nearly 400 V DC to 450 V DC (800 V DC to 900 V DC for the 400 V class) maximum.

7.2.7 Measurement of inverter output frequency

In the initial setting of the FM-type inverter, a pulse train proportional to the output frequency is output across the pulse train output terminals FM and SD of the inverter. This pulse train output can be counted by a frequency counter, or a meter (moving-coil type voltmeter) can be used to read the mean value of the pulse train output voltage. When a meter is used to measure the output frequency, approximately 5 V DC is indicated at the maximum frequency.

For detailed specifications of the pulse train output terminal FM, refer to page 5-219.

In the initial setting of the CA-type inverter, a pulse train proportional to the output frequency is output across the analog current output terminals CA and 5 of the inverter. Measure the current using an ammeter or tester.

For detailed specifications of the analog current output terminal CA, refer to page 5-222.

7.2.8 Insulation resistance test using megger

For the inverter, conduct the insulation resistance test on the main circuit only as shown below and do not perform the test on the control circuit. (Use a 500 V DC megger.)

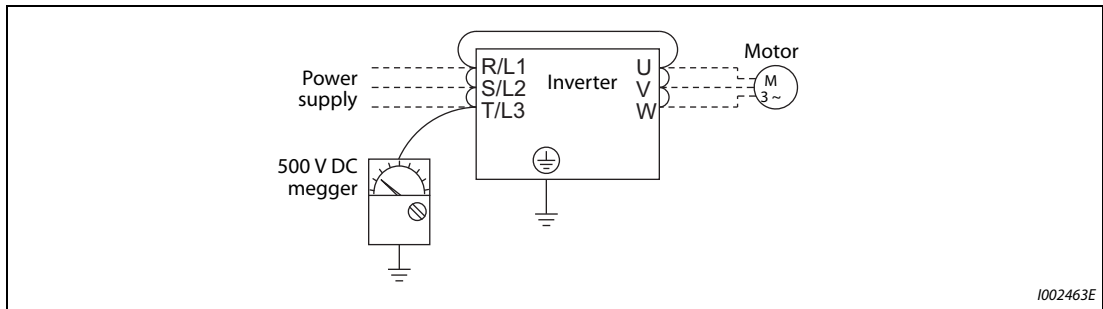


Fig. 7-14: Insulation resistance test

NOTES

Before performing the insulation resistance test on the external circuit, disconnect the cables from all terminals of the inverter so that the test voltage is not applied to the inverter.

For the continuity test of the control circuit, use a tester (high resistance range) and do not use the megger or buzzer.

7.2.9 Pressure test

Do not conduct a pressure test. Deterioration may occur.

8 Specifications

8.1 Inverter rating

8.1.1 200 V class

Model FR-F820-□		00046 (0.75K)	00077 (1.5K)	00105 (2.2K)	00167 (3.7K)	00250 (5.5K)	00340 (7.5K)	00490 (11K)	00630 (15K)	00770 (18.5K)	00930 (22K)	01250 (30K)	01540 (37K)	01870 (45K)	02330 (55K)	03160 (75K)	03800 (90K)	04750 (110K)	
Applicable motor capacity [kW] ①	SLD	0.75	1.5	2.2	3.7	5.5	7.5	11	15	18.5	22	30	37	45	55	75	110	132	
	LD	0.75	1.5	2.2	3.7	5.5	7.5	11	15	18.5	22	30	37	45	55	75	90	110	
Output	Rated capacity [kVA] ②	SLD	1.8	2.9	4	6.4	10	13	19	24	29	35	48	59	71	89	120	145	181
		LD	1.6	2.7	3.7	5.8	8.8	12	17	22	27	32	43	53	65	81	110	132	165
	Rated current [A]	SLD	4.6	7.7	10.5	16.7	25	34	49	63	77	93	125	154	187	233	316	380	475
		LD	4.2	7	9.6	15.2	23	31	45	58	70.5	85	114	140	170	212	288	346	432
Overload current rating ③	SLD	110% 60 s, 120% 3 s (inverse-time characteristics) at surrounding air temperature of 40 °C																	
	LD	120% 60 s, 150% 3 s (inverse-time characteristics) at surrounding air temperature of 50 °C																	
Rated voltage ④		Three-phase 200 to 240 V																	
Rated input AC voltage/frequency		Three-phase 200 to 240 V 50 Hz/60 Hz																	
Permissible AC voltage fluctuation		170 to 264 V 50 Hz/60 Hz																	
Permissible frequency fluctuation		±5%																	
Power supply	Rated input current [A] ⑤	SLD	5.3	8.9	13.2	19.7	31.3	45.1	62.8	80.6	96.7	115	151	185	221	269	316	380	475
		LD	5	8.3	12.2	18.3	28.5	41.6	58.2	74.8	90.9	106	139	178	207	255	288	346	432
	Power supply capacity [kVA] ⑥	SLD	2	3.4	5	7.5	12	17	24	31	37	44	58	70	84	103	120	145	181
	LD	1.9	3.2	4.7	7	11	16	22	29	35	41	53	68	79	97	110	132	165	
Protective structure (IEC 60529) ⑦		Enclose type (IP20)											Open type (IP00)						
Cooling system		Self-cooling			Forced air cooling														
Approx. mass [kg]		1.9	2.1	3.0	3.0	3.0	6.3	6.3	8.3	15	15	15	22	42	42	54	74	74	

Tab. 8-1: Specifications FR-F820

For footnotes ① to ⑦ refer to page 8-3.

8.1.2 400 V class

Model FR-F840-□		00023 (0.75K)	00038 (1.5K)	00052 (2.2K)	00083 (3.7K)	00126 (5.5K)	00170 (7.5K)	00250 (11K)	00310 (15K)	00380 (18.5K)	00470 (22K)	00620 (30K)	00770 (37K)	00930 (45K)	01160 (55K)	01800 (75K)	02160 (90K)	02600 (110K)	
Applicable motor capacity [kW] ①	SLD	0.75	1.5	2.2	3.7	5.5	7.5	11	15	18.5	22	30	37	45	55	75/90	110	132	
	LD	0.75	1.5	2.2	3.7	5.5	7.5	11	15	18.5	22	30	37	45	55	75	90	110	
Output	Rated capacity [kVA] ②	SLD	1.8	2.9	4	6.3	10	13	19	24	29	36	47	59	71	88	137	165	198
		LD	1.6	2.7	3.7	5.8	8.8	12	18	22	27	33	43	53	65	81	110	137	165
	Rated current [A]	SLD	2.3	3.8	5.2	8.3	12.6	17	25	31	38	47	62	77	93	116	180	216	260
		LD	2.1	3.5	4.8	7.6	11.5	16	23	29	35	43	57	70	85	106	144	180	216
Overload current rating ③	SLD	110% 60 s, 120% 3 s (inverse-time characteristics) at surrounding air temperature of 40 °C																	
	LD	120% 60 s, 150% 3 s (inverse-time characteristics) at surrounding air temperature of 50 °C																	
Rated voltage ④		Three-phase 380 to 500 V																	
Rated input AC voltage/frequency		Three-phase 380 to 500 V 50 Hz/60 Hz ⑧																	
Permissible AC voltage fluctuation		323 to 550 V 50 Hz/60 Hz																	
Permissible frequency fluctuation		±5%																	
Power supply	Rated input current [A] ⑤	SLD	3.2	5.4	7.8	10.9	16.4	22.5	31.7	40.3	48.2	58.4	76.8	97.6	115	141	180	216	260
		LD	3	4.9	7.3	10.1	15.1	22.3	31	38.2	44.9	53.9	75.1	89.7	106	130	144	180	216
Power supply capacity [kVA] ⑥	SLD	2.5	4.1	5.9	8.3	12	17	24	31	37	44	59	74	88	107	137	165	198	
	LD	2.3	3.7	5.5	7.7	12	17	24	29	34	41	57	68	81	99	110	137	165	
Protective structure (IEC 60529) ⑦		Enclose type (IP20)											Open type (IP00)						
Cooling system		Self-cooling					Forced air cooling												
Approx. mass [kg]		2.5	2.5	2.5	3.0	3.0	6.3	6.3	8.3	8.3	15	15	23	41	41	43	52	55	

Tab. 8-2: Specifications FR-F840-00023(0.75K) to 02600(110K)

For footnotes ① to ⑧ refer to page 8-3.

Model FR-F840-□		03250 (132K)	03610 (160K)	04320 (185K)	04810 (220K)	05470 (250K)	06100 (280K)	06830 (315K)	
Applicable motor capacity [kW] ①	SLD	160	185	220	250	280	315	355	
	LD	132	160	185	220	250	280	315	
Output	Rated capacity [kVA] ②	SLD	248	275	329	367	417	465	521
		LD	198	248	275	329	367	417	465
	Rated current [A]	SLD	325	361	432	481	547	610	683
		LD	260	325	361	432	481	547	610
Overload current rating ③	SLD	110% 60 s, 120% 3 s (inverse-time characteristics) at surrounding air temperature of 40 °C							
	LD	120% 60 s, 150% 3 s (inverse-time characteristics) at surrounding air temperature of 50 °C							
Rated voltage ④		Three-phase 380 to 500 V							
Rated input AC voltage/frequency		Three-phase 380 to 500 V 50 Hz/60 Hz ⑧							
Permissible AC voltage fluctuation		323 to 550 V 50 Hz/60 Hz							
Permissible frequency fluctuation		±5%							
Power supply	Rated input current [A] ⑤	SLD	325	361	432	481	547	610	683
		LD	260	325	361	432	481	547	610
Power supply capacity [kVA] ⑥	SLD	248	275	329	367	417	465	521	
	LD	198	248	275	329	367	417	465	
Protective structure (IEC 60529) ⑦		Open type (IP00)							
Cooling system		Forced air cooling							
Approx. mass [kg]		71	78	117	117	166	166	166	

Tab. 8-3: Specifications FR-F840-03250(132K) to 06830(315K)

For footnotes ① to ⑧ refer to page 8-3.

- ① The applicable motor capacity indicated is the maximum capacity applicable for use of the Mitsubishi 4-pole standard motor.
- ② The rated output capacity indicated assumes that the output voltage is 220 V for 200 V class and 440 V for 400 V class.
- ③ The % value of the overload current rating indicated is the ratio of the overload current to the inverter's rated output current. For repeated duty, allow time for the inverter and motor to return to or below the temperatures under 100% load.
- ④ The maximum output voltage does not exceed the power supply voltage. The maximum output voltage can be changed within the setting range. However, the maximum point of the voltage waveform at the inverter output side is the power supply voltage multiplied by about $\sqrt{2}$.
- ⑤ The rated input current indicates a value at a rated output voltage. The impedance at the power supply side (including those of the input reactor and cables) affects the rated input current.
- ⑥ The power supply capacity is the value when at the rated output current. It varies by the impedance at the power supply side (including those of the input reactor and cables).
- ⑦ FR-DU08: IP40 (except for the PU connector section)
- ⑧ For the power voltage exceeding 480 V, set Pr. 977 "Input voltage mode selection".) (For details, refer to page 5-72).

8.2 Motor rating

8.2.1 Premium high-efficiency IPM motor [MM-EFS (1500 r/min specification)]

● Motor specification

Motor model	200V class MM-EFS□1M(-S10) ^④ 400V class MM-EFS□1M4(-S10) ^④	7	15	22	37	55	75	11K	15K	18K	22K	30K	37K	45K	55K	
Compatible inverter ^③	200V class FR-F820-□	00046 (0.75K)	00077 (1.5K)	00105 (2.2K)	00167 (3.7K)	00250 (5.5K)	00340 (7.5K)	00490 (11K)	00630 (15K)	00770 (18.5K)	00930 (22K)	01250 (30K)	01540 (37K)	01870 (45K)	02330 (55K)	
	400V class FR-F840-□	00023 (0.75K)	00038 (1.5K)	00052 (2.2K)	00083 (3.7K)	00126 (5.5K)	00170 (7.5K)	00250 (11K)	00310 (15K)	00380 (18.5K)	00470 (22K)	00620 (30K)	00770 (37K)	00930 (45K)	01160 (55K)	
Continuous characteristic ^①	Rated output [kW]	0.75	1.5	2.2	3.7	5.5	7.5	11	15	18.5	22	30	37	45	55	
	Rated torque [Nm]	4.77	9.55	14	23.6	35	47.7	70	95.5	118	140	191	236	286	350	
Rated speed (r/min)		1500														
Maximum speed (r/min)		2250														
Number of poles		6									8					
Maximum torque		120% 6 s														
Frame No.		80M	90L	100L	112M	132S	132M	160M	160L	180M	180L	200L	225S		225S	
Inertia moment J [$\times 10^{-4}$ kg \times m ²]		20	40	55	110	275	280	760	770	1700	1700	1900	3400	3850	6500	
Rated current [A]	200 V class	3	6.0	8.2	13.4	20	27	40	54	66	79	110	128	157	194	
	400 V class	1.5	3.0	4.1	6.7	10	13.5	20	27	33	39.5	55	64	78.5	97	
Structure		Totally-enclosed fan-cooled motor. With steel framed legs. (protective structure IP44 ^②)														
Insulation class		F class														
Vibration class		V15														
Environment	Surrounding air temperature, humidity	-10°C to +40°C (non-freezing) 90%RH or less (non-condensing)														
	Storage temperature, humidity	-20°C to +70°C (non-freezing) 90%RH or less (non-condensing)														
	Atmosphere	Indoors (not under direct sunlight), and free from corrosive gas, flammable gas, oil mist, dust and dirt.														
	Altitude	Maximum 1,000 m above sea level														
	Vibration	4.9 m/s ²														
Mass [kg]		11	15	22	31	50	53	95	100	135	155	220	230	290		

Tab. 8-4: Motor rating MM-EFS (1500 r/min specification)

- ① The above characteristics apply when the rated AC voltage is input from the inverter. (Refer to page 8-1.) Output and rated motor speed are not guaranteed when the power supply voltage drops.
- ② This excludes the part where the axis passes through.
- ③ For the LD rating
- ④ The MM-EFS□1M-S10 and MM-EFS□1M4-S10 models (dedicated to the connection to a belt) are available for the 11 kW or higher capacity.

● Motor torque characteristic

The following figure shows the torque characteristic of the premium high-efficiency IPM motor [MM-EFS (1500 r/min specification)] when used with an inverter.

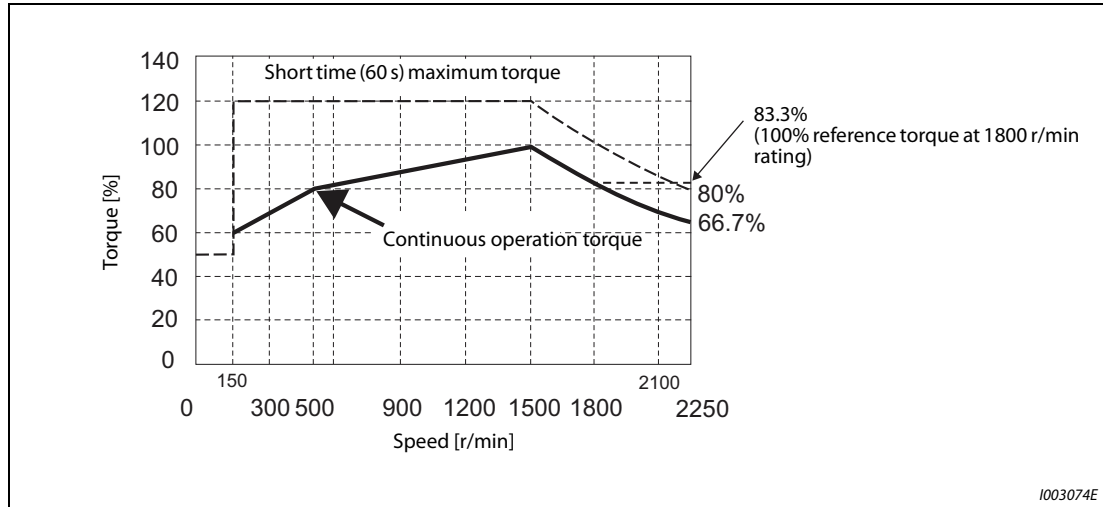


Fig. 8-1: Motor torque characteristic [MM-EFS (1500 r/min specification)]

NOTES

The motor can also be used for applications which require the rated speed of 1800 r/min.

The torque characteristic is when the armature winding temperature is 20 °C, and the input voltage to the inverter is 200 V AC or 400 V AC.

Constant-speed operation cannot be performed for the speed of 150 r/min or less.

The standard model (MM-EFS□1M or MM-EFS□1M4) with an 11 kW or higher capacity is designed for a direct connection only.

8.2.2 Premium high-efficiency IPM motor [MM-EFS (3000 r/min specification)]

● Motor specification

Motor model	200V class MM-EFS□3 400V class MM-EFS□34	7	15	22	37	55	75	11K	15K
Compatible inverter ^③	200V class FR-F820-□	00046 (0.75K)	00077 (1.5K)	00105 (2.2K)	00167 (3.7K)	00250 (5.5K)	00340 (7.5K)	00490 (11K)	00630 (15K)
	400V class FR-F840-□	00023 (0.75K)	00038 (1.5K)	00052 (2.2K)	00083 (3.7K)	00126 (5.5K)	00170 (7.5K)	00250 (11K)	00310 (15K)
Continuous characteristic ^①	Rated output [kW]	0.75	1.5	2.2	3.7	5.5	7.5	11	15
	Rated torque [Nm]	2.39	4.77	7.0	11.8	17.5	23.9	35.0	47.7
Rated speed (r/min)	3000								
Maximum speed (r/min)	4000								
Number of poles	6								
Maximum torque	120% 6s								
Frame No.	80M	90L		112M	132S		160M		
Inertia moment J [$\times 10^{-4}$ kg \times m ²]	10.7	22.4	29.8	68.3	198		534		
Rated current [A]	200 V class	3.2	6.1	8.4	14.3	21.4	28.7	37.6	51.4
	400 V class	1.6	3.1	4.2	7.2	10.7	14.4	18.8	25.7
Structure	Totally-enclosed fan-cooled motor. With steel framed legs. (protective structure IP44 ^②)								
Insulation class	F class								
Vibration class	V15								
Environment	Surrounding air temperature, humidity	-10°C to +40°C (non-freezing) 90%RH or less (non-condensing)							
	Storage temperature, humidity	-20°C to +70°C (non-freezing) 90%RH or less (non-condensing)							
	Atmosphere	Indoors (not under direct sunlight), and free from corrosive gas, flammable gas, oil mist, dust and dirt.							
	Altitude	Maximum 1,000 m above sea level							
	Vibration	4.9 m/s ²							
Mass [kg]	8	12	14	25	41		75		

Tab. 8-5: Motor rating MM-EFS (3000 r/min specification)

- ① The above characteristics apply when the rated AC voltage is input from the inverter. (Refer to page 8-1.) Output and rated motor speed are not guaranteed when the power supply voltage drops.
- ② This excludes the part where the axis passes through.
- ③ For the LD rating

● Motor torque characteristic

The following figure shows the torque characteristic of the premium high-efficiency IPM motor [MM-EFS (3000 r/min specification)] when used with an inverter.

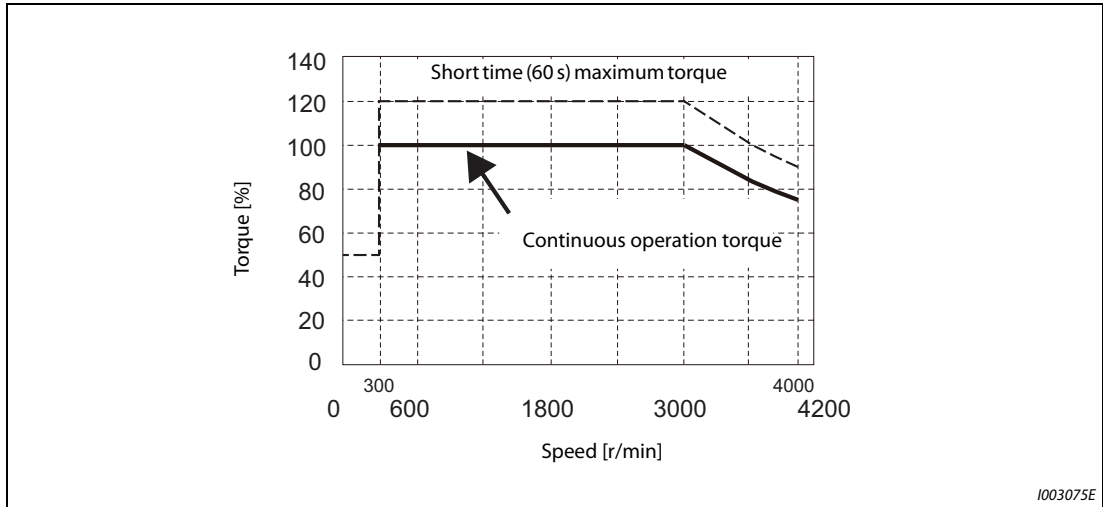


Fig. 8-2: Motor torque characteristic [MM-EFS (3000 r/min specification)]

NOTES

The torque characteristic is when the armature winding temperature is 20°C, and the input voltage to the inverter is 200 V AC or 400 V AC.

Constant-speed operation cannot be performed for the speed of 300 r/min or less.

The MM-EFS□3 or MM-EFS□34 motor with an 11 kW or higher capacity is designed for a direct connection only.

8.2.3 Premium high-efficiency IPM motor [MM-THE4 (1500 r/min specification)]

● Motor specification

Motor model		MM-THE4					
Voltage class		200 V		400 V			
Applicable inverter ^②		FR-F820-□		FR-F840-□			
		03160(75K)	01800(75K)	02160(90K)	02600(110K)	03250(132K)	03610(160K)
Continuous characteristic ^①	Rated output [kW]	75	75	90	110	132	160
	Rated torque [Nm]	477	477	573	700	840	1018
Rated speed (r/min)		1500					
Maximum speed (r/min)		1800					
Number of poles		6					
Maximum torque		120% 60 s					
Frame No.		250MA	250MA	250MD	280MD		
Inertia moment J [$\times 10^{-4}$ kg \times m ²]		6000	6000	10000	17500	20500	23250
Rated current [A]		270	135	170	195	230	280
Structure		Totally-enclosed fan-cooled motor. With steel framed legs. (protective structure IP44)					
Insulation class		F class					
Vibration class		V-25					
Environment	Surrounding air temperature, humidity	-10°C to +40°C (non-freezing) 90%RH or less (non-condensing)					
	Storage temperature, humidity	-20°C to +70°C (non-freezing) 90%RH or less (non-condensing)					
	Atmosphere	Indoors (not under direct sunlight), and free from corrosive gas, flammable gas, oil mist, dust and dirt.					
	Altitude	Maximum 1,000 m above sea level					
	Vibration	4.9 m/s ²					
Mass [kg]		470	470	610	780	810	860

Tab. 8-6: Motor rating MM-THE4 (1500 r/min specification)

- ① Output and rated motor speed are not guaranteed when the power supply voltage drops.
 ② For the LD rating

● Motor torque characteristic

The following figure shows the torque characteristic of the premium high-efficiency IPM motor [MM-THE4 when used with an inverter.

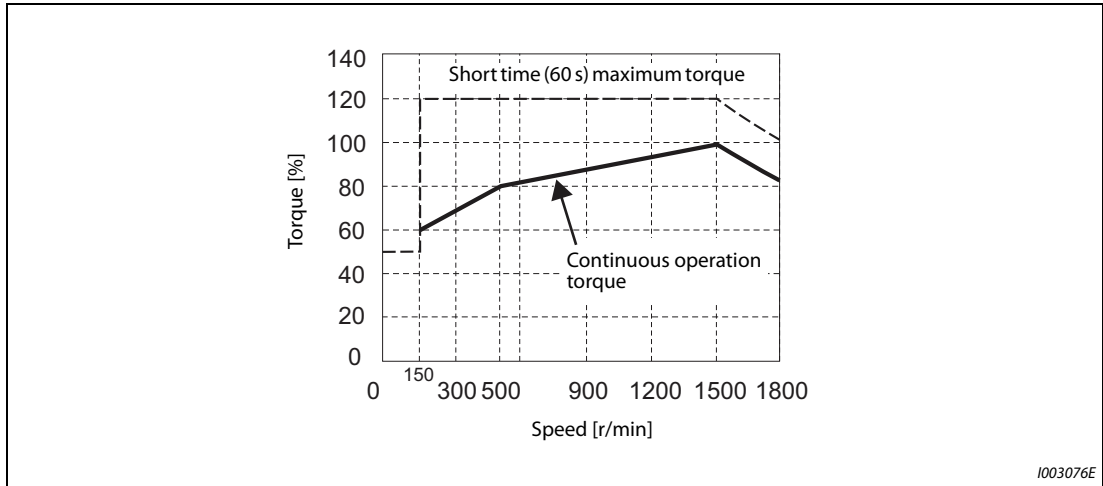


Fig. 8-3: Motor torque characteristic [MM-THE4 (1500 r/min specification)]

NOTES

The motor can also be used for applications which require the rated speed of 1800 r/min.

The torque characteristic is when the armature winding temperature is 20°C, and the input voltage to the inverter is 200 V AC or 400 V AC.

Constant-speed operation cannot be performed for the speed of 150 r/min or less.

8.3 Common specifications

Control specifications	Control method		Soft-PWM control, high carrier frequency PWM control (selectable among V/F control (Optimum excitation control), Advanced magnetic flux vector control (Advanced optimum excitation control) and PM motor control)
	Output frequency range		0.2 to 590 Hz (up to 400 Hz under Advanced magnetic flux vector control, and PM motor control.)
	Frequency setting resolution	Analog input	0.015 Hz/60 Hz (0 to 10 V/12 bits for terminals 2 and 4) 0.03 Hz/60 Hz (0 to 5 V/11 bits or 0 to 20 mA/ approx. 11 bits for terminals 2 and 4, 0 to ±10 V/12 bits for terminal 1) 0.06 Hz/60 Hz (0 to ±5 V/11 bits for terminal 1)
		Digital input	0.01 Hz
	Frequency accuracy	Analog input	Within ±0.2% of the max. output frequency (25 °C ± 10 °C)
		Digital input	Within 0.01% of the set output frequency
	Voltage/frequency characteristics		Base frequency can be set from 0 to 590 Hz. Constant-torque/variable-torque pattern or adjustable 5 points V/F can be selected.
	Starting torque	Induction motor	120% 0.5 Hz (Advanced magnetic flux vector control)
		IPM motor	50%
	Torque boost		Manual torque boost
	Acceleration/deceleration time setting		0 to 3600 s (acceleration and deceleration can be set individually), linear or S-pattern acceleration/deceleration mode, backlash countermeasures acceleration/deceleration can be selected.
	DC injection brake (induction motor)		Operation frequency (0 to 120 Hz), operation time (0 to 10 s), operation voltage (0 to 30%) variable
Stall prevention operation level		Activation range of stall prevention operation (SLD rating: 0 to 120%, LD rating: 0 to 150%). Whether to use the stall prevention or not can be selected (V/F control, Advanced magnetic flux vector control)	
Operation specifications	Frequency setting signal	Analog input	Terminals 2 and 4: 0 to 5 V, 0 to 10 V, 4 to 20 mA (0 to 20 mA) are available. Terminal 1: -5 to +5 V, -10 to +10 V are available.
		Digital input	Input using the setting dial of the operation panel or the parameter unit Four-digit BCD or 16-bit binary (when used with option FR-A8AX)
	Start signal		Forward and reverse rotation or start signal automatic self-holding input (3-wire input) can be selected.
	Input signals (twelve terminals)		Low-speed operation command, Middle-speed operation command, High-speed operation command, Second function selection, Terminal 4 input selection, Jog operation selection, Output stop, Start self-holding selection, Forward rotation command, Reverse rotation command, Inverter reset. The input signal can be changed using Pr. 178 to Pr. 189 (input terminal function selection).
	Pulse train input		100 kpps
	Operational functions		Maximum and minimum frequency settings, multi-speed operation, acceleration/deceleration pattern, thermal protection, DC injection brake, starting frequency, JOG operation, output stop (MRS), stall prevention, regeneration avoidance, increased magnetic excitation deceleration, DC feeding ^① , frequency jump, rotation display, automatic restart after instantaneous power failure, electronic bypass sequence, remote setting, retry function, carrier frequency selection, fast-response current limit, forward/reverse rotation prevention, operation mode selection, slip compensation, speed smoothing control, traverse, auto tuning, applied motor selection, RS-485 communication, Ethernet communication ^② , PID control, PID pre-charge function, cooling fan operation selection, stop selection (deceleration stop/coasting), power-failure deceleration stop function, PLC function, life diagnosis, maintenance timer, current average monitor, multiple rating, test run, 24 V power supply input for control circuit, safety stop function, self power management, BACnet communication, PID gain tuning, cleaning, load characteristics storage, emergency drive ^①
	Output signal Open collector output (five terminals) Relay output (two terminals)		Inverter running, Up to frequency, Instantaneous power failure/undervoltage ^① , Overload warning, Output frequency detection, Fault The output signal can be changed using Pr.190 to Pr.196 (output terminal function selection). Fault codes of the inverter can be output (4 bits) from the open collector.
	Pulse train output		50 kpps

Tab. 8-7: Common specifications (1)

Indication	For meter	Pulse train output (FM type)	Max. 2.4 kHz: one terminal (output frequency) The monitored item can be changed using Pr. 54 "FM/CA terminal function selection".
		Current output (CA type)	Max. 20 mA DC: one terminal (output current) The monitored item can be changed using Pr. 54 "FM/CA terminal function selection".
		Voltage output	Max. 10 V DC: one terminal (output voltage) The monitored item can be changed using Pr. 158 "AM terminal function selection".
	Operation panel (FR-DU08)	Operating status	Output frequency, output current, output voltage, frequency setting value The monitored item can be changed using Pr. 52 "Operation panel main monitor selection".
		Fault record	Fault record is displayed when a fault occurs. Past 8 fault records and the conditions immediately before the fault (output voltage/current/frequency/cumulative energization time/year/month/date/time) are stored.
Protective/warning function	Protective function	Overcurrent trip during acceleration, overcurrent trip during constant speed, overcurrent trip during deceleration or stop, Regenerative overvoltage trip during acceleration, Regenerative overvoltage trip during constant speed, Regenerative overvoltage trip during deceleration or stop, Inverter overload trip (electronic thermal relay function), Motor overload trip (electronic thermal relay function), Heatsink overheat, Instantaneous power failure ^① , Undervoltage ^① , Input phase loss ^{① ②} , Stall prevention stop, Loss of synchronism detection ^② , Upper limit fault detection, Lower limit fault detection, Brake transistor alarm detection ^① , Output side earth (ground) fault overcurrent, Output short circuit, Output phase loss, External thermal relay operation ^② , PTC thermistor operation ^② , Option fault, Communication option fault, Parameter storage device fault, PU disconnection, Retry count excess ^② , CPU fault, Operation panel power supply short circuit, RS-485 terminal power supply short circuit ^⑦ , 24 V DC power fault, Abnormal output current detection ^② , Inrush current limit circuit fault ^① , Communication fault (inverter), Ethernet communication fault ^{② ⑥} , Analog input fault, USB communication fault, Safety circuit fault, Overspeed occurrence ^② , 4 mA input fault ^② , Pre-charge fault ^② , PID signal fault ^② , Internal circuit fault, User definition error in the PLC function	
	Warning function	Fan alarm, Stall prevention (overcurrent), Stall prevention (overvoltage), Regenerative brake pre-alarm ^{① ②} , Electronic thermal relay function pre-alarm, PU stop, Parameter copy, Safety stop, Maintenance timer 1 to 3 ^② , USB host error, Operation panel lock ^② , Password locked ^② , Parameter write error, Copy operation error, 24 V external power supply operation, Load fault warning, Emergency drive in operation ^① , Continuous operation during communication fault, Ethernet communication fault ^⑥	
Environment	Surrounding air temperature		-10 °C to +50 °C (non-freezing) (LD rating) -10 °C to +40 °C (non-freezing) (SLD rating)
	Surrounding air humidity		With circuit board coating (conforming to IEC60721-3-3 3C2/3S2): 95% RH or less (non-condensing), Without circuit board coating: 90% RH or less (non-condensing)
	Storage temperature ^③		-20 °C to +65 °C
	Atmosphere		Indoors (without corrosive gas, flammable gas, oil mist, dust and dirt, etc.)
	Altitude/vibration		Maximum 1000 m above sea level ^④ , 5.9 m/s ² or less ^⑤ at 10 to 55 Hz (directions of X, Y, Z axes)

Tab. 8-7: Common specifications (2)

- ① Available only for the standard model.
- ② This protective function is not available in the initial status.
- ③ Temperature applicable for a short time, e.g. in transit.
- ④ For the installation at an altitude above 1,000 m up to 2,500 m, derate the rated current 3% per 500 m.
- ⑤ 2.9 m/s² for the FR-F840-04320(185K) or higher.
- ⑥ Available only for the FR-F800-E series.
- ⑦ Not available for the FR-F800-E series.

8.4 Outline dimension drawings

8.4.1 Inverter outline dimension drawings

NOTE

The following outline dimensions of the frequency inverter models are valid for all types, except otherwise stated.

FR-F820-00046(0.75K), FR-F820-00077(1.5K)

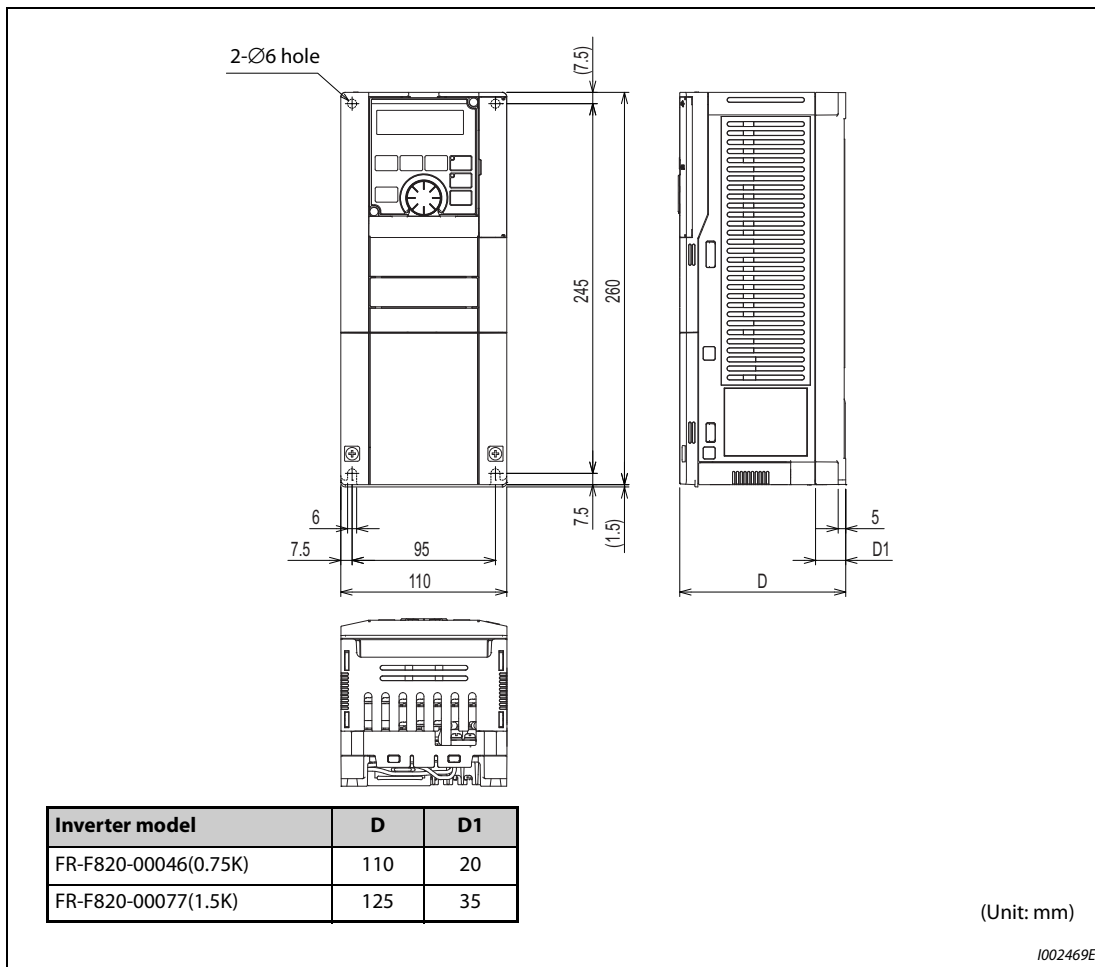


Fig. 8-4: Dimensions FR-F820-00046(0.75K), FR-F820-00077(1.5K)

FR-F820-00105(2.2K), 00167(3.7K), 00250(5.5K)
FR-F840-00023(0.75K), 00038(1.5K), 00052(2.2K), 00083(3.7K), 00126(5.5K)

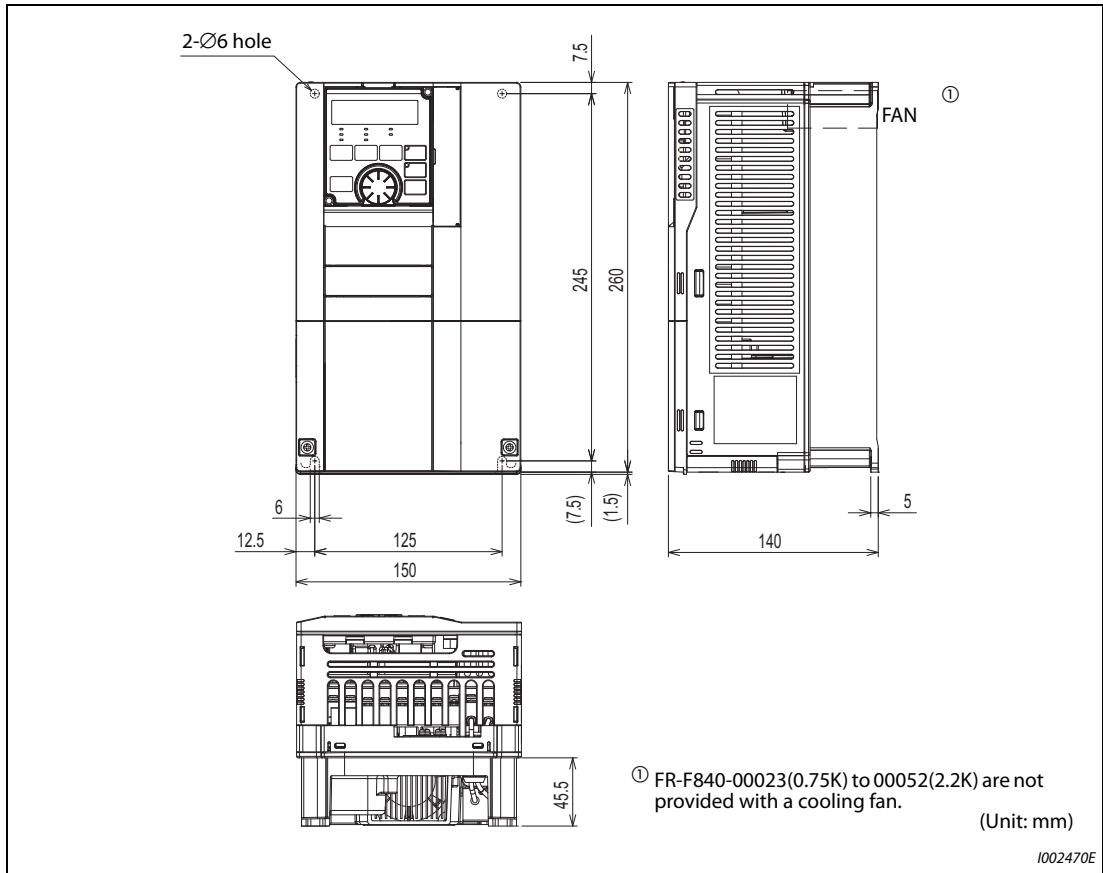


Fig. 8-5: Dimensions FR-F820-00105(2.2K), 00167(3.7K), 00250(5.5K), FR-F840-00023(0.75K), 00038(1.5K), 00052(2.2K), 00083(3.7K), 00126(5.5K)

FR-F820-00340(7.5K), 00490(11K), 00630(15K)
FR-F840-00170(7.5K), 00250(11K), 00310(15K), 00380(18.5K)

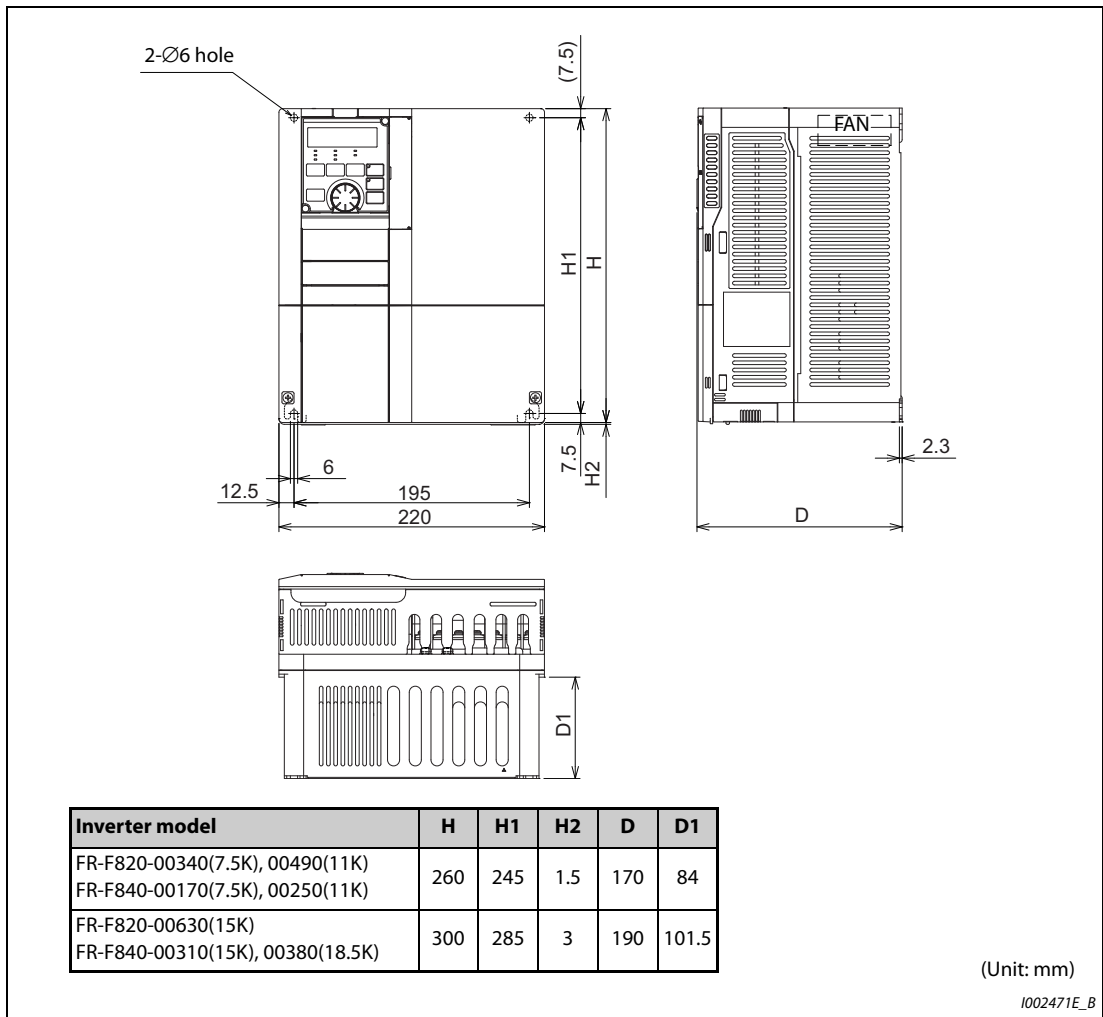


Fig. 8-6: Dimensions FR-F820-00340(7.5K), 00490(11K), 00630(15K), FR-F840-00170(7.5K), 00250(11K), 00310(15K), 00380(18.5K)

**FR-F820-00770(18.5K), 00930(22K), 01250(30K)
FR-F840-00470(22K), 00620(30K)**

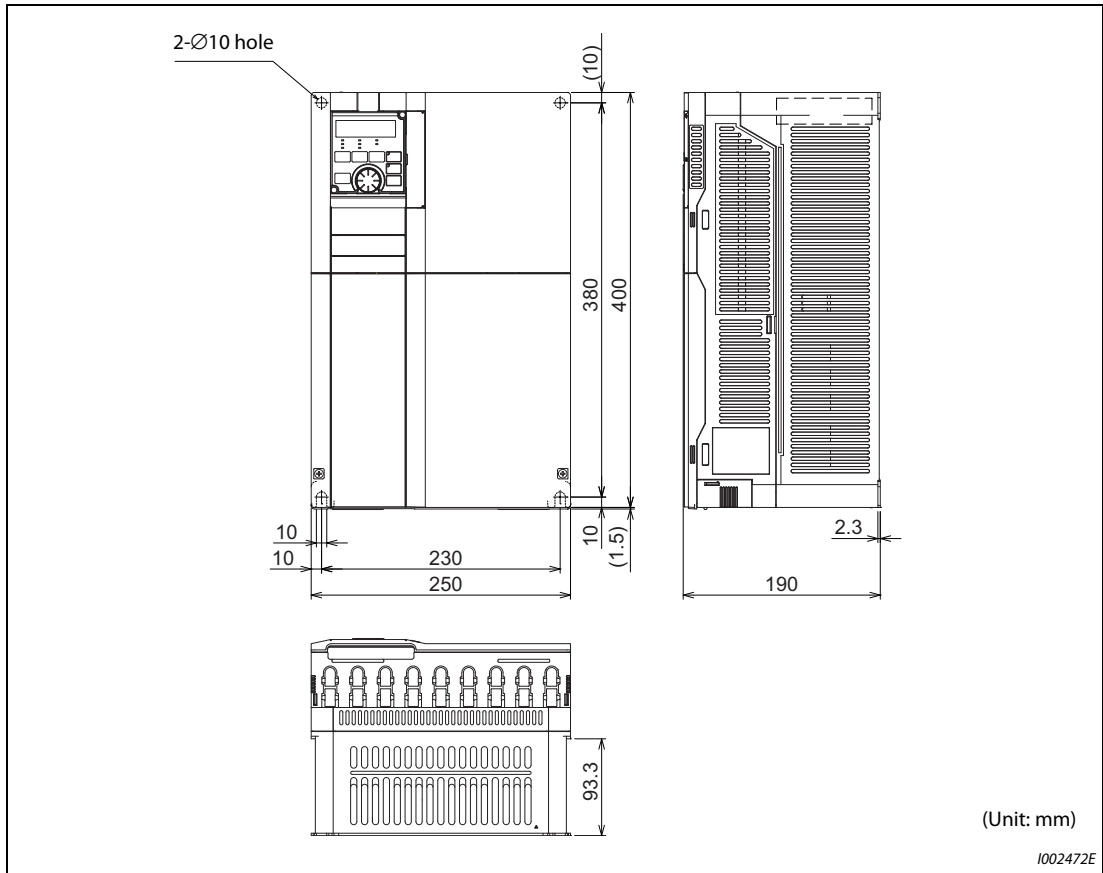


Fig. 8-7: Dimensions FR-F820-00770(18.5K), 00930(22K), 01250(30K), FR-F840-00470(22K), 00620(30K)

FR-F820-01540(37K), FR-F840-00770(37K)

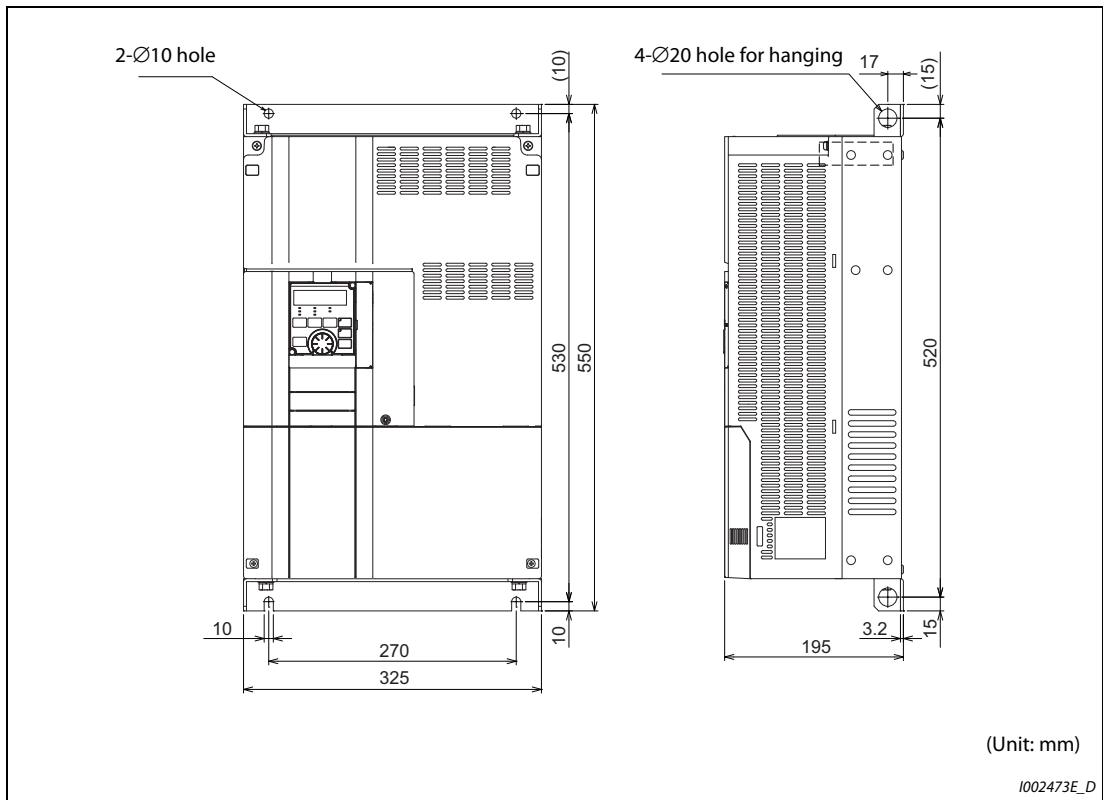


Fig. 8-8: Dimensions FR-F820-01540(37K), FR-F840-00770(37K)

FR-F820-01870(45K), 02330(55K), 03160(75K), 03800(90K), 04750(110K)
FR-F840-00930(45K), 01160(55K), 01800(75K), 02160(90K), 02600(110K), 03250(132K), 03610(160K)

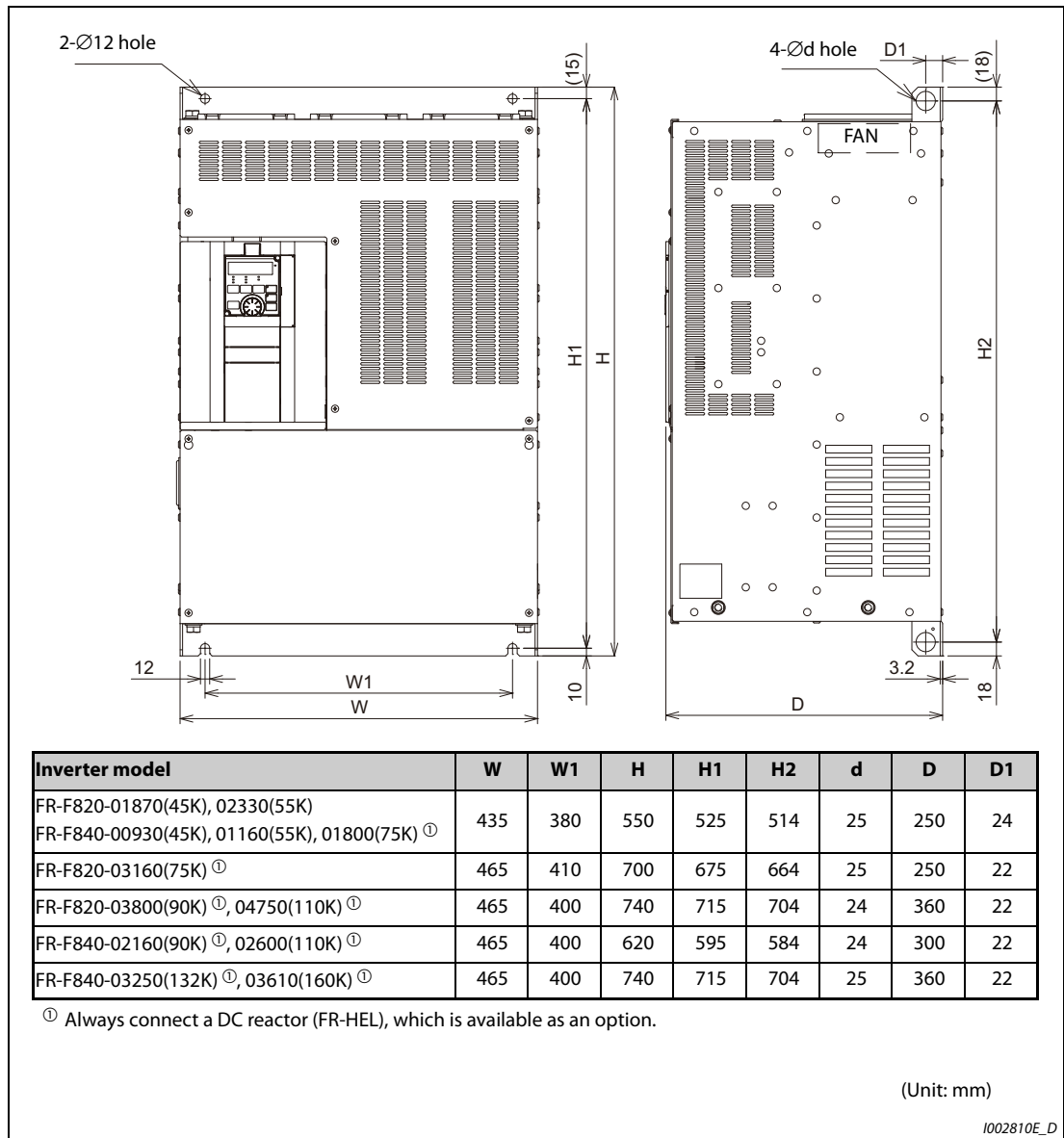


Fig. 8-9: Dimensions FR-F820-01870(45K), 02330(55K), 03160(75K), 03800(90K), 04750(110K), FR-F840-00930(45K), 01160(55K), 01800(75K), 02160(90K), 02600(110K), 03250(132K), 03610(160K)

FR-F840-04320(185K), 04810(220K)

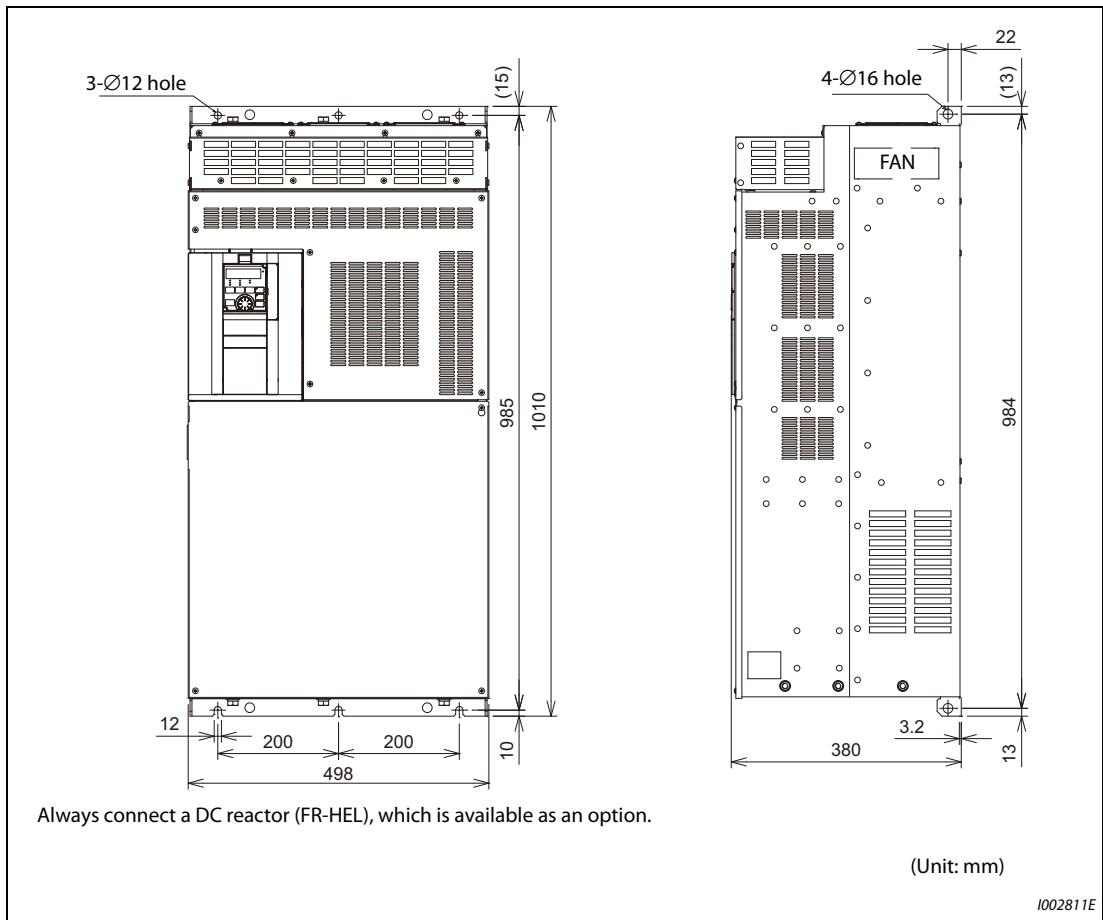


Fig. 8-10: Dimensions FR-F840-04320(185K), 04810(220K)

FR-F840-05470(250K), 06100(280K), 06830(315K)

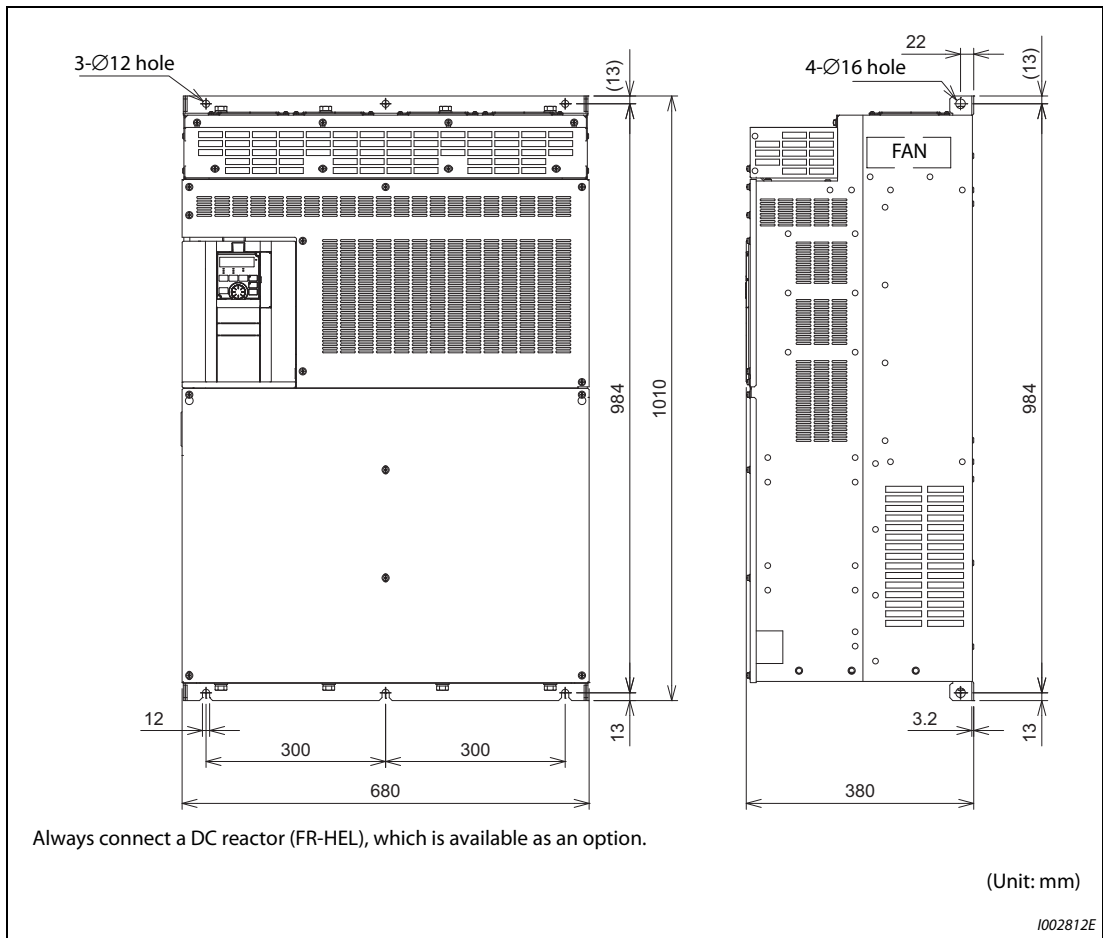


Fig. 8-11: Dimensions FR-F840-05470(250K), 06100(280K), 06830(315K)

Operation panel (FR-DU08, FR-LU08)

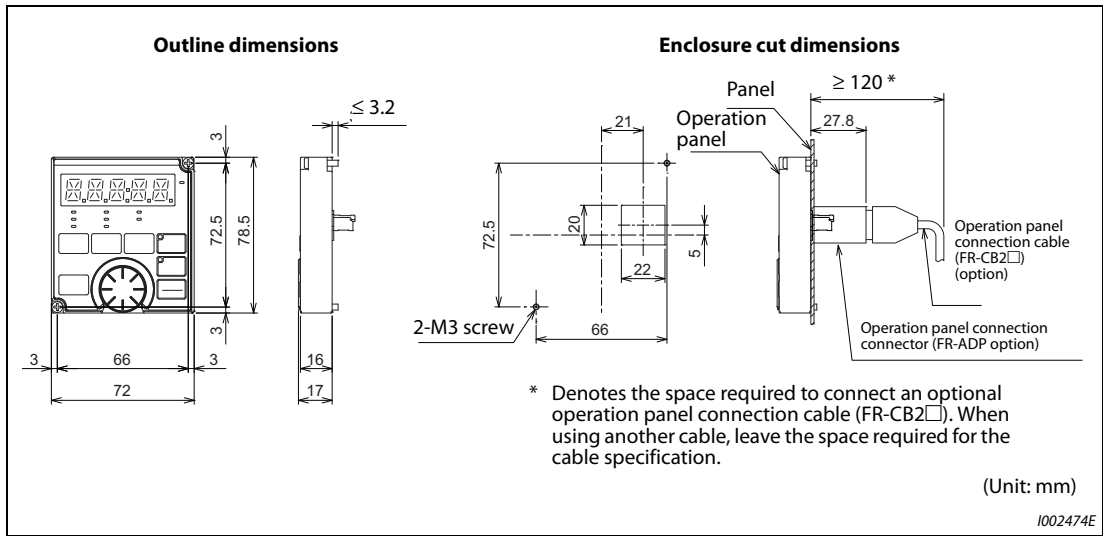


Fig. 8-12: Operation panel (FR-DU08)

8.4.2 Dedicated motor outline dimension drawings

Premium high-efficiency IPM motor [MM-EFS (1500 r/min specification)]

- 30K or lower

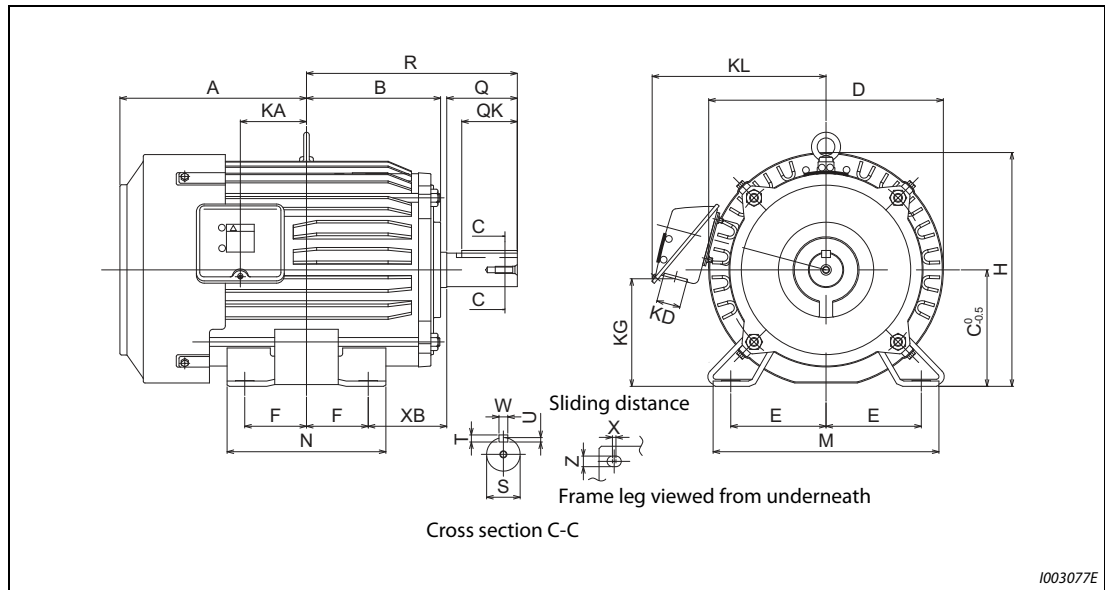


Fig. 8-13: Dimensions MM-EFS (1500 r/min specification), 30K or lower

Model	200V class MM-EFS□1M / 400V class MM-EFS□1M4										
	7	15	22	37	55	75	11K	15K	18K	22K	30K
Output [kW]	0.75	1.5	2.2	3.7	5.5	7.5	11	15	18.5	22	30
Frame No.	80M	90L	100L	112M	132S	132M	160M	160L	180M		180L
Outline dimension [mm]	A	122	143	173	181	211.5	230.5	252	274	292.5	311.5
	B	93	111.5	128	135	152	171	198	220	225.5	242.5
	C	80	90	100	112	132	132	160	160	180	180
	D	162	184	207	228	266	266	318	318	363	363
	E	62.5	70	80	95	108	108	127	127	139.5	139.5
	F	50	62.5	70	70	70	89	105	127	120.5	139.5
	H	166	191	203.5	226	265	265	316	316	359	359
	KA	39.5	53	65	69	75	94	105	127	127	146
	KD	27	27	27	27	27	27	56	56	56	56
	KG	63	76	88	103	120	120	142	142	168	168
	KL	145	158	169	180	197	197	266	266	289	289
	M	160	175	200	230	256	256	310	310	335	335
	N	125	150	180	180	180	218	254	298	285	323
	XB	50	56	63	70	89	89	108	108	121	121
	Q	40	50	60	60	80	80	110	110	110	110
	QK	32	40	45	45	63	63	90	90	90	90
	R	140	168.5	193	200	239	258	323	345	351.5	370.5
	S	Ø19j6	Ø24j6	Ø28j6	Ø28j6	Ø38k6	Ø38k6	Ø42k6	Ø42k6	Ø48k6	Ø55m6
	T	6	7	7	7	8	8	8	8	9	10
	U	3.5	4	4	4	5	5	5	5	5.5	6
W	6	8	8	8	10	10	12	12	14	16	
X	15	15	4	4	4	4	4	4	4	4	
Z	9	9	12	12	12	12	14.5	14.5	14.5	14.5	

Tab. 8-8: Dimensions table (Unit: mm), MM-EFS (1500 r/min specification), 30K or lower

● 37K to 55K

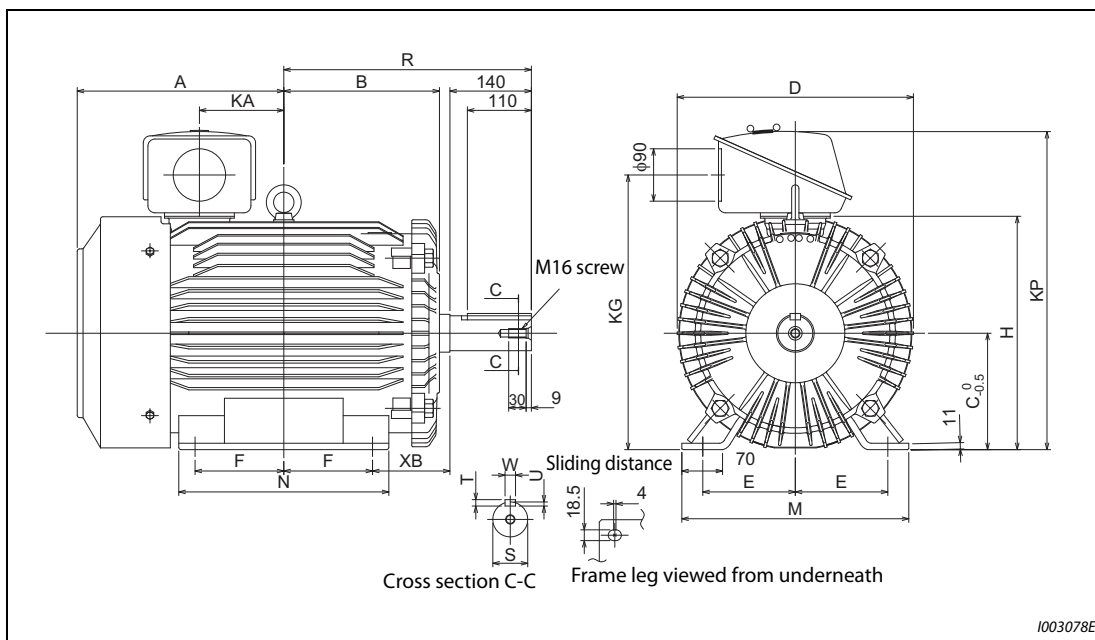


Fig. 8-14: Dimensions MM-EFS (1500 r/min specification), 37K to 55K

Model	200V class MM-EFS□1M / 400V class MM-EFS□1M4		
	37K	45K	55K
Output [kW]	37	45	55
Frame No.	200L		225S
Outline dimension [mm]	A	355	365
	B	267.5	277
	C	200	225
	D	406	446
	E	159	178
	F	152.5	143
	H	401	446
	KA	145	145
	KG	472	517
	KP	548	593
	M	390	428
	N	361	342
	XB	133	149
	R	425.5	432
	S	Ø60m6	Ø65m6
	T	11	11
U	7	7	
W	18	18	

Tab. 8-9: Dimensions table (Unit: mm), MM-EFS (1500 r/min specification), 37 K to 55K

NOTES

The drawings shown above are sample outline dimension drawings. The outer appearance may differ depending on the frame number.

Premium high-efficiency IPM motor [MM-EFS (3000 r/min specification)]

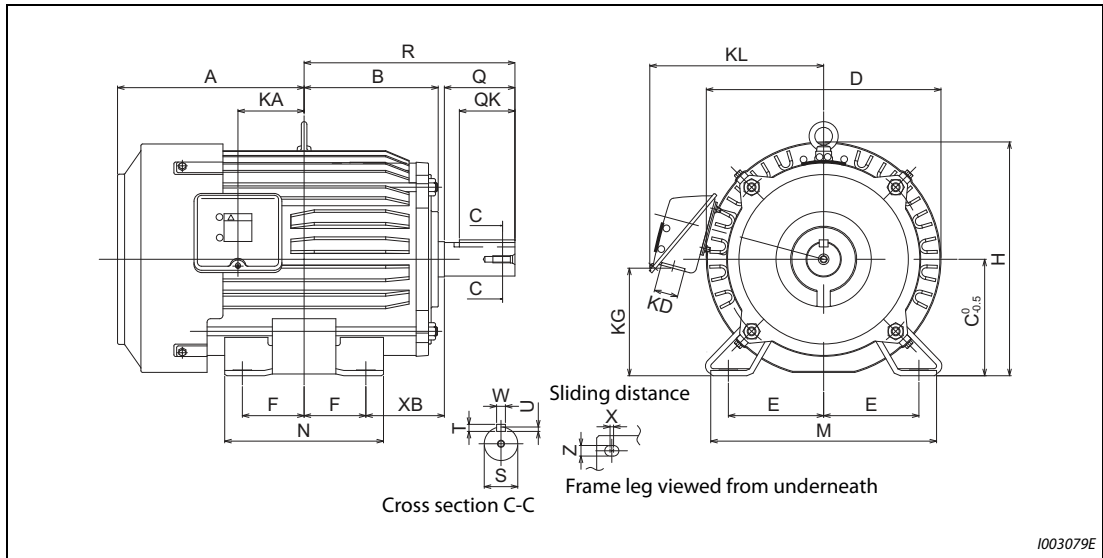


Fig. 8-15: Dimensions MM-EFS (3000 r/min specification)

Model	200V class MM-EFS□3 / 400V class MM-EFS□34							
	7	15	22	37	55	75	11K	15K
Output [kW]	0.75	1.5	2.2	3.7	5.5	7.5	11	15
Frame No.	80M	90L	112M	132S	160M			
Outline dimension [mm]	A	122	143	181	211.5	252		
	B	93	111.5	135	152	198		
	C	80	90	112	132	160		
	D	162	184	228	266	318		
	E	62.5	70	95	108	127		
	F	50	62.5	70	70	105		
	H	166	191	226	265	316		
	KA	39.5	53	69	75	105		
	KD	27	27	27	27	56		
	KG	63	76	103	120	142		
	KL	145	158	180	197	266		
	M	160	175	230	256	310		
	N	125	150	180	180	254		
	XB	50	56	70	89	108		
	Q	40	50	60	80	110		
	QK	32	40	45	63	90		
	R	140	168.5	200	239	323		
	S	∅19j6	∅24j6	∅28j6	∅38k6	∅42k6		
	T	6	7	7	8	8		
	U	3.5	4	4	5	5		
W	6	8	8	10	12			
X	15	15	4	4	4			
Z	9	9	12	12	14.5			

Tab. 8-10: Dimensions table (Unit: mm), MM-EFS (3000 r/min specification)

NOTES

The drawings shown above are sample outline dimension drawings. The outer appearance may differ depending on the frame number.

Premium high-efficiency IPM motor [MM-THE4]

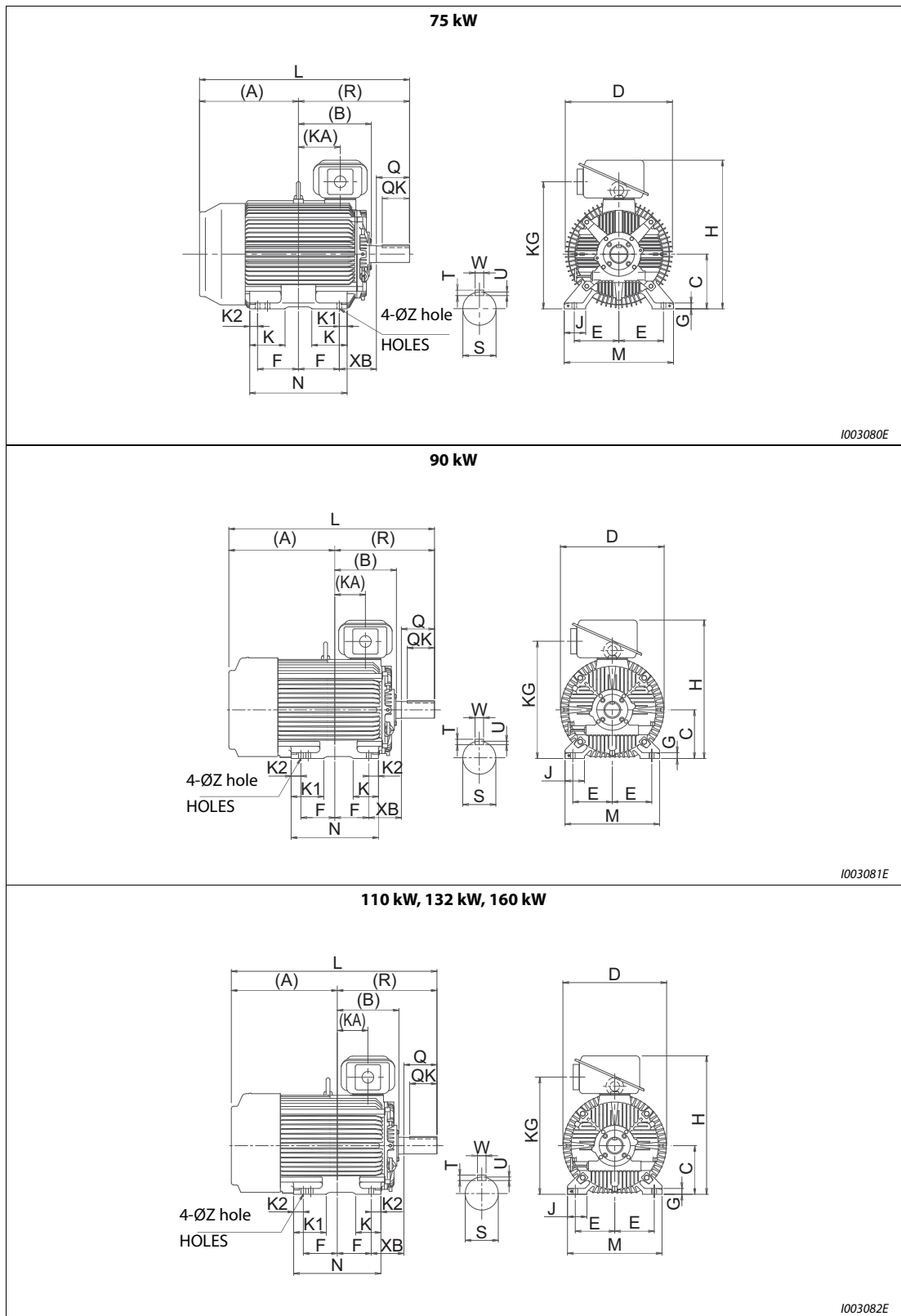


Fig. 8-16: Dimensions MM-THE4

Output [kW]		75	90	110, 132, 160
Frame No.		250MA	250MD	280MD
Outline dimension [mm]	A	449.5	545.5	596.5
	B	317	317	374
	C	250	250	280
	D	490	535	587
	E	203	203	228.5
	F	174.5	174.5	209.5
	G	30	30	30
	H	692	712	782
	J	100	100	110
	KA	157.5	157.5	210.5
	KG	583	603	673
	K	168	130	130
	K1	50	168	181
	K2	50	50	40
	L	932	1028	1166
	M	486	486	560
	N	449	449	499
	Z	24	24	24
	XB	168	168	190
	Q	140	140	170
	QK	110	110	140
	R	482.5	482.5	569.5
	S	75m6	75m6	85m6
T	12	12	14	
U	7.5	7.5	9	
W	20	20	22	

Tab. 8-11: Dimensions table (Unit: mm), MM-THE4

NOTES

The drawings shown above are sample outline dimension drawings. The outer appearance may differ depending on the frame number.

For the 200 V class, models with capacities up to 75 kW are available.

A Appendix

A.1 For customers replacing the conventional model with this inverter

A.1.1 Replacement of the FR-F700(P) series

Differences and compatibility with the FR-F700(P) series

Item	FR-F700(P)	FR-F800
Control method	<ul style="list-style-type: none"> V/F control Simple magnetic flux vector control PM motor control 	<ul style="list-style-type: none"> V/F control Advanced magnetic flux vector control PM motor control (IPM motor/SPM motor)
Added functions	—	USB host function Safety stop function etc.
Maximum output frequency V/F control	400 Hz	590 Hz
PID control	Turn the X14 signal ON to enable PID control.	The X14 signal does not need to be assigned. (PID control is available by the Pr. 128 setting.)
Automatic restart after instantaneous power failure	Turn the CS signal ON to enable restart. Pr. 186 "CS terminal function selection" initial value "6"	CS signal assignment not required. (Restart is enabled with the Pr. 57 setting only.) Pr. 186 "CS terminal function selection" initial value "9999"
PTC thermistor input	Input from the terminal AU (the function of the terminal AU is switched by a switch.)	Input from the terminal 2. (The function of the terminal 2 is switched by the Pr. 561 setting.)
USB connector	B connector	Mini B connector
Main circuit terminal screw size	Terminals R/L1, S/L2, T/L3, U, V, W: Same for all capacities Terminals P/+, N/-, P1: Same except for the 400 V class 01800(75K) (FR-F740(P)-01800(75K): M10, FR-F840-01800(75K): M8) Screws for earthing (grounding): Same except for the 200 V class 03160(75K) (FR-F720(P)-03160(75K): M10, FR-F820-03160(75K): M8)	
Control circuit terminal block	Removable terminal block (screw type)	Removable terminal block (spring clamp type)
Terminal response level	The FR-F800's I/O terminals have better response level than the FR-F700(P)'s terminals. By setting Pr. 289 "Inverter output terminal filter" and Pr. 699 "Input terminal filter," the terminal response level can be compatible with that of FR-F700(P). Set to approximately 5 to 8 ms and adjust the setting according to the system.	
PU	<ul style="list-style-type: none"> FR-DU07 (4-digit LED) FR-PU07 	<ul style="list-style-type: none"> FR-DU08 (5-digit LED) FR-LU08 (LCD) FR-PU07 (Some functions, such as parameter copy, are unavailable.) FR-DU07 is not supported.
Plug-in option	Dedicated plug-in options (not interchangeable)	
Plug-in option connector	One connector (FR-F700P, FR-F700-CHT) Two connectors (FR-F700-NA/EC)	Three connectors
Communication option	Connected to the connector 1. (FR-F700P, FR-F700-CHT) Connected to the connector 2. (FR-F700-NA/EC)	Connected to the connector 1
Installation size	<ul style="list-style-type: none"> For standard models, installation size is compatible for all capacities. (Replacement between the same capacities does not require new mounting holes.) However, for the 200 V class 03160(75K), the installation interchange attachment (FR-F8AT) is required.) For separated converter types, installation size is not compatible. (New mounting holes are required.) 	

Tab. A-1: Differences between FR-F700(P) and FR-F800 (1)

Item	FR-F700(P)	FR-F800
Converter	Built-in for all capacities	An optional converter unit (FR-CC2) is required for separated converter types.
DC reactor	The 75K or higher comes with a DC reactor (FR-HEL).	For the FR-F820-03160(75K) or higher, the FR-F840-01800(75K) or higher, select a DC reactor suitable for the applicable motor capacity. (A DC reactor is not included.) Separated converter types (converter unit FR-CC2) have a built-in DC reactor.

Tab. A-1: Differences between FR-F700(P) and FR-F800 (2)

Installation precautions

- Removal procedure of the front cover is different. (Refer to page 2-12.)
- Plug-in options of the FR-F700 series are not compatible.
- Operation panel (FR-DU07) cannot be used.

Wiring precautions

The spring clamp type terminal block has changed to the screw type. Use of blade terminals is recommended.

Instructions for continuous use of the FR-PU07 (parameter unit)

- For the FR-F800 series, many functions (parameters) have been added. When setting these parameters, the parameter names and setting ranges are not displayed.
- Only the parameter with the numbers up to "999" can be read and set. The parameters with the numbers after "999" cannot be read or set.
- Many protective functions have been added for the FR-F800 series. These functions are available, but all faults are displayed as "Fault". When the faults history is checked, "ERR" appears. Added faults will not appear on the parameter unit. (However, MT1 to MT3 are displayed as MT.)
- Parameter copy/verification function are not available.

Copying parameter settings

The FR-F700(P) series' parameter settings can be easily copied to the FR-F800 series by using the setup software (FR Configurator2). (Not supported by the setup software FR-SW3-SETUP or older.)

A.1.2 Replacement of the FR-F500(L) series

Installation precautions

Installation size is compatible for replacing the FR-F520(L)-0.75K, 2.2K, 3.7K, 7.5K, 18.5K, 22K, 37K, 45K, 90K, 110K, FR-F540(L)-0.75K to 3.7K, 7.5K, 11K, 22K, 37K to 55K, 132K to 280K. New mounting holes are required for replacing models with other capacities. (For the 55K or lower, the installation interchange attachment can be used.)

NOTE

For the installation size and the outline dimensions of the separated converter type, refer to the FR-F802 (Separated Converter Type) Instruction Manual (Hardware).

A.2 Specification comparison between PM motor control and induction motor control

Item		PM motor control	Induction motor control
Applicable motor		<ul style="list-style-type: none"> Premium high-efficiency IPM motor MM-EFS, MM-THE4 series (the same capacity as the inverter capacity) 	General-purpose motor SF-JR, SF-PR series, etc. ①
Number of connectable motors		1: 1	Several motors can be driven under V/F control.
Number of motor poles		<ul style="list-style-type: none"> MM-EFS (1500 r/min specification) 15 kW or lower: 6 poles MM-EFS (1500 r/min specification) 18.5 kW or higher: 8 poles MM-EFS (3000 r/min specification): 6 poles MM-THE4: 6 poles 	Normally 2, 4, or 6 poles.
Rated motor frequency		<ul style="list-style-type: none"> MM-EFS (1500 r/min specification) 15 kW or lower: 75 Hz MM-EFS (1500 r/min specification) 18.5 kW or higher: 100 Hz MM-EFS (3000 r/min specification): 150 Hz MM-THE4: 75 Hz 	Normally 50 Hz or 60 Hz
Maximum output frequency		<ul style="list-style-type: none"> MM-EFS (1500 r/min specification) 15 kW or lower: 112.5 Hz MM-EFS (1500 r/min specification) 18.5 kW or higher: 150 Hz MM-EFS (3000 r/min specification): 200 Hz MM-THE4: 90 Hz 	590 Hz (17700 r/min with 4P) (Set the upper limit frequency (Pr.0, Pr.18) according to the motor and machine specifications.)
Permissible load		120% 60 s, 150% 3 s (inverse-time characteristics) (The % value is a ratio to the rated motor current.)	120% 60 s, 150% 3 s (inverse-time characteristics) (The % value is a ratio to the inverter rated current.)
Maximum starting torque		50 %	120% (Advanced magnetic flux vector control)
Frequency setting resolution (based on the motor rating)	Terminal 2, 4 (0 to 10 V/12 bit)	<ul style="list-style-type: none"> MM-EFS (1500 r/min specification) 15 kW or lower ②, MM-THE4: 0.018 Hz MM-EFS (1500 r/min specification) 18.5 kW or higher ②: 0.025 Hz MM-EFS (3000 r/min specification): 0.036 Hz 	0.015 Hz (60 Hz rating)
	Terminal 2, 4 (0 to 5 V/11 bit, 0 to 20 mA/11 bit), terminal 1 (0 to ±10 V/12 bit)	<ul style="list-style-type: none"> MM-EFS (1500 r/min specification) 15 kW or lower ②, MM-THE4: 0.036 Hz MM-EFS (1500 r/min specification) 18.5 kW or higher ②: 0.050 Hz MM-EFS (3000 r/min specification): 0.072 Hz 	0.03 Hz (60 Hz rating)
	Terminal 1 (0 to ±5 V/11 bit)	<ul style="list-style-type: none"> MM-EFS (1500 r/min specification) 15 kW or lower ②, MM-THE4: 0.072 Hz MM-EFS (1500 r/min specification) 18.5 kW or higher ②: 0.100 Hz MM-EFS (3000 r/min specification): 0.144 Hz 	0.06 Hz (60 Hz rating)

Tab. A-2: Differences between PM motor control and induction motor control (1)

Item		PM motor control	Induction motor control
Output signal	Pulse output for meter	In the initial setting, 1 mA is output at the rated motor frequency from across terminals FM and SD. (SD is a common terminal.) The permissible frequency load current is 2 mA. Pulse specification: 1440 pulses/s at the rated motor frequency.	In the initial setting, 1 mA is output at 60 Hz from across terminals FM and SD. (SD is a common terminal.) The permissible frequency load current is 2 mA. Pulse specification: 1440 pulses/s at 60 Hz
Carrier frequency		Four patterns of 2 kHz, 6 kHz, 10 kHz, and 14 kHz ^③	Selectable between 0.75 kHz to 14.5 kHz ^③
		Two patterns of 2 kHz and 6 kHz ^④	0.75 kHz to 6 kHz ^④
Automatic restart after instantaneous power failure		No startup waiting time. Using the regeneration avoidance function or retry function together is recommended.	Startup waiting time exists.
Startup delay		Startup delay of about 0.1 s for initial tuning.	No startup delay
Driving by the commercial power supply		Not available Never connect an IPM motor to the commercial power supply.	Can be driven by the commercial power supply.
Operation during motor coasting		While the motor is coasting, potential is generated across motor terminals. Before wiring, make sure that the motor is stopped.	While the motor is coasting, potential is not generated across motor terminals.
Maximum motor wiring length		100 m or shorter	Overall length: 500 m or shorter

Tab. A-2: Differences between PM motor control and induction motor control (2)

- ① For the motor capacity, the rated motor current should be equal to or less than the inverter rated current. (It must be 0.4 kW or higher.)
If a motor with substantially low rated current compared with the inverter rated current is used, speed and torque accuracies may deteriorate due to torque ripples, etc. Set the rated motor current to about 40% or higher of the inverter rated current.
- ② For the MM-EFS (1500 r/min specification), the number of motor poles differs between the 15 kW or lower motor (6 poles) and the 18.5 kW or higher motor (8 poles). For this reason, the frequency setting resolution also differs between them.
- ③ For the FR-F820-02330(55K) or lower and the FR-F840-01160(55K) or lower
- ④ For the FR-F820-03160(75K) or higher and the FR-F840-01800(75K) or higher

NOTES

Before wiring, make sure that the motor is stopped. Otherwise you may get an electric shock.

Never connect an IPM motor to the commercial power supply.

No slippage occurs with an IPM motor because of its characteristic. If an IPM motor, which took over an induction motor, is driven at the same frequency as for the general-purpose motor, the running speed of the IPM motor becomes faster by the amount of the general-purpose motor's slippage. Adjust the speed command to run the IPM motor at the same speed as the induction motor, as required.

A.3 Parameters (functions) and instruction codes under different control methods

- ① Instruction codes are used to read and write parameters in accordance with the Mitsubishi inverter protocol of RS-485 communication.
(For RS-485 communication, refer to page 5-467.)
- ② Function availability under each control method is shown as below:
○: Available
x: Not available
- ③ For "parameter copy", "parameter clear", and "all parameter clear":
"○" indicates the function is available, and
"x" indicates the function is not available.
- ④ These parameters are not cleared by the parameter clear (all parameter clear) command, which are sent through RS-485 communication. (For RS-485 communication, refer to page 5-467.)
- ⑤ Reading and writing via the PU connector are available.

Symbols in the table indicate parameters that operate when the options are connected.

AR FR-A8AR, AX FR-A8AX, AY FR-A8AY, NC FR-A8NC, NCE FR-A8NCE, ND FR-A8ND, NP FR-A8NP

NOTE

When a communication option is installed, parameter clear (lock release) during password lock (Pr. 297 ≠ "9999") can be performed only from the communication option.

Pr.	Name	Instruction code ①			Control method ②			Parameter		
		Read	Write	Extended	V/F	Magnetic flux	PIM	Copy ③	Clear ③	All clear ③
0	Torque boost	00	80	0	○	x	x	○	○	○
1	Maximum frequency	01	81	0	○	○	○	○	○	○
2	Minimum frequency	02	82	0	○	○	○	○	○	○
3	Base frequency	03	83	0	○	x	x	○	○	○
4	Multi-speed setting (high speed)	04	84	0	○	○	○	○	○	○
5	Multi-speed setting (middle speed)	05	85	0	○	○	○	○	○	○
6	Multi-speed setting (low speed)	06	86	0	○	○	○	○	○	○
7	Acceleration time	07	87	0	○	○	○	○	○	○
8	Deceleration time	08	88	0	○	○	○	○	○	○
9	Electronic thermal O/L relay	09	89	0	○	○	○	○	○	○
10	DC injection brake operation frequency	0A	8A	0	○	○	○	○	○	○
11	DC injection brake operation time	0B	8B	0	○	○	○	○	○	○
12	DC injection brake operation voltage	0C	8C	0	○	○	x	○	○	○
13	Starting frequency	0D	8D	0	○	○	○	○	○	○
14	Load pattern selection	0E	8E	0	○	x	x	○	○	○
15	Jog frequency	0F	8F	0	○	○	○	○	○	○
16	Jog acceleration/deceleration time	10	90	0	○	○	○	○	○	○
17	MRS input selection	11	91	0	○	○	○	○	○	○
18	High speed maximum frequency	12	92	0	○	○	○	○	○	○
19	Base frequency voltage	13	93	0	○	x	x	○	○	○

Tab. A-3: Parameter list with instruction codes (1)

Pr.	Name	Instruction code ①			Control method ②			Parameter		
		Read	Write	Extended	V/F	Magnetic flux	PM	Copy ③	Clear ③	All clear ③
20	Acceleration/deceleration reference frequency	14	94	0	○	○	○	○	○	○
21	Acceleration/deceleration time increments	15	95	0	○	○	○	○	○	○
22	Stall prevention operation level	16	96	0	○	○	○	○	○	○
23	Stall prevention operation level compensation factor at double speed	17	97	0	○	○	x	○	○	○
24	Multi-speed setting (speed 4)	18	98	0	○	○	○	○	○	○
25	Multi-speed setting (speed 5)	19	99	0	○	○	○	○	○	○
26	Multi-speed setting (speed 6)	1A	9A	0	○	○	○	○	○	○
27	Multi-speed setting (speed 7)	1B	9B	0	○	○	○	○	○	○
28	Multi-speed input compensation selection	1C	9C	0	○	○	○	○	○	○
29	Acceleration/deceleration pattern selection	1D	9D	0	○	○	○	○	○	○
30	Regenerative function selection	1E	9E	0	○	○	○	○	○	○
31	Frequency jump 1A	1F	9F	0	○	○	○	○	○	○
32	Frequency jump 1B	20	A0	0	○	○	○	○	○	○
33	Frequency jump 2A	21	A1	0	○	○	○	○	○	○
34	Frequency jump 2B	22	A2	0	○	○	○	○	○	○
35	Frequency jump 3A	23	A3	0	○	○	○	○	○	○
36	Frequency jump 3B	24	A4	0	○	○	○	○	○	○
37	Speed display	25	A5	0	○	○	○	○	○	○
41	Up-to-frequency sensitivity	29	A9	0	○	○	○	○	○	○
42	Output frequency detection	2A	AA	0	○	○	○	○	○	○
43	Output frequency detection for reverse rotation	2B	AB	0	○	○	○	○	○	○
44	Second acceleration/deceleration time	2C	AC	0	○	○	○	○	○	○
45	Second deceleration time	2D	AD	0	○	○	○	○	○	○
46	Second torque boost	2E	AE	0	○	x	x	○	○	○
47	Second V/F (base frequency)	2F	AF	0	○	x	x	○	○	○
48	Second stall prevention operation level	30	B0	0	○	○	x	○	○	○
49	Second stall prevention operation frequency	31	B1	0	○	○	x	○	○	○
50	Second output frequency detection	32	B2	0	○	○	○	○	○	○
51	Second electronic thermal O/L relay	33	B3	0	○	○	○	○	○	○
52	Operation panel main monitor selection	34	B4	0	○	○	○	○	○	○
54	FM/CA terminal function selection	36	B6	0	○	○	○	○	○	○
55	Frequency monitoring reference	37	B7	0	○	○	○	○	○	○
56	Current monitoring reference	38	B8	0	○	○	○	○	○	○
57	Restart coasting time	39	B9	0	○	○	○	○	○	○
58	Restart cushion time	3A	BA	0	○	○	x	○	○	○
59	Remote function selection	3B	BB	0	○	○	○	○	○	○
60	Energy saving control selection	3C	BC	0	○	○	x	○	○	○
65	Retry selection	41	C1	0	○	○	○	○	○	○
66	Stall prevention operation reduction starting frequency	42	C2	0	○	○	x	○	○	○
67	Number of retries at fault occurrence	43	C3	0	○	○	○	○	○	○
68	Retry waiting time	44	C4	0	○	○	○	○	○	○
69	Retry count display erase	45	C5	0	○	○	○	○	○	○
70	Parameter for manufacturer setting. Do not set.									

Tab. A-3: Parameter list with instruction codes (2)

Pr.	Name	Instruction code ①			Control method ②			Parameter		
		Read	Write	Extended	V/F	Magnetic flux	PM	Copy ③	Clear ③	All clear ③
71	Applied motor	47	C7	0	○	○	○	○	○	○
72	PWM frequency selection	48	C8	0	○	○	○	○	○	○
73	Analog input selection	49	C9	0	○	○	○	○	○	○
74	Input filter time constant	4A	CA	0	○	○	○	○	○	○
75	Reset selection/disconnected PU detection/ PU stop selection	4B	CB	0	○	○	○	○	x	x
76	Fault code output selection	4C	CC	0	○	○	○	○	○	○
77 ⑤	Parameter write selection	4D	CD	0	○	○	○	○	○	○
78	Reverse rotation prevention selection	4E	CE	0	○	○	○	○	○	○
79 ⑤	Operation mode selection	4F	CF	0	○	○	○	○	○	○
80	Motor capacity	50	D0	0	x	○	○	○	○	○
81	Number of motor poles	51	D1	0	x	○	○	○	○	○
82	Motor excitation current	52	D2	0	x	○	x	○	x	○
83	Rated motor voltage	53	D3	0	x	○	○	○	○	○
84	Rated motor frequency	54	D4	0	x	○	○	○	○	○
89	Speed control gain (Advanced magnetic flux vector)	59	D9	0	x	○	x	○	x	○
90	Motor constant (R1)	5A	DA	0	x	○	○	○	x	○
91	Motor constant (R2)	5B	DB	0	x	○	x	○	x	○
92	Motor constant (L1)/d-axis inductance (Ld)	5C	DC	0	x	○	○	○	x	○
93	Motor constant (L2)/q-axis inductance (Lq)	5D	DD	0	x	○	○	○	x	○
94	Motor constant (X)	5E	DE	0	x	○	x	○	x	○
95	Online auto tuning selection	5F	DF	0	x	○	x	○	○	○
96	Auto tuning setting/status	60	E0	0	x	○	○	○	x	○
100	V/F1(first frequency)	00	80	1	○	x	x	○	○	○
101	V/F1(first frequency voltage)	01	81	1	○	x	x	○	○	○
102	V/F2(second frequency)	02	82	1	○	x	x	○	○	○
103	V/F2(second frequency voltage)	03	83	1	○	x	x	○	○	○
104	V/F3(third frequency)	04	84	1	○	x	x	○	○	○
105	V/F3(third frequency voltage)	05	85	1	○	x	x	○	○	○
106	V/F4(fourth frequency)	06	86	1	○	x	x	○	○	○
107	V/F4(fourth frequency voltage)	07	87	1	○	x	x	○	○	○
108	V/F5(fifth frequency)	08	88	1	○	x	x	○	○	○
109	V/F5(fifth frequency voltage)	09	89	1	○	x	x	○	○	○
111	Check valve deceleration time	0B	8B	1	○	○	○	○	○	○
117	PU communication station number	11	91	1	○	○	○	○	○ ^④	○ ^④
118	PU communication speed	12	92	1	○	○	○	○	○ ^④	○ ^④
119	PU communication stop bit length /data length	13	93	1	○	○	○	○	○ ^④	○ ^④
120	PU communication parity check	14	94	1	○	○	○	○	○ ^④	○ ^④
121	Number of PU communication retries	15	95	1	○	○	○	○	○ ^④	○ ^④
122	PU communication check time interval	16	96	1	○	○	○	○	○ ^④	○ ^④
123	PU communication waiting time setting	17	97	1	○	○	○	○	○ ^④	○ ^④
124	PU communication CR/LF selection	18	98	1	○	○	○	○	○ ^④	○ ^④
125	Terminal 2 frequency setting gain frequency	19	99	1	○	○	○	○	x	○
126	Terminal 4 frequency setting gain frequency	1A	9A	1	○	○	○	○	x	○

Tab. A-3: Parameter list with instruction codes (3)

Pr.	Name	Instruction code ①			Control method ②			Parameter		
		Read	Write	Extended	V/F	Magnetic flux	P.M	Copy ③	Clear ③	All clear ③
127	PID control automatic switchover frequency	1B	9B	1	○	○	○	○	○	○
128	PID action selection	1C	9C	1	○	○	○	○	○	○
129	PID proportional band	1D	9D	1	○	○	○	○	○	○
130	PID integral time	1E	9E	1	○	○	○	○	○	○
131	PID upper limit	1F	9F	1	○	○	○	○	○	○
132	PID lower limit	20	A0	1	○	○	○	○	○	○
133	PID action set point	21	A1	1	○	○	○	○	○	○
134	PID differential time	22	A2	1	○	○	○	○	○	○
135	Electronic bypass sequence selection	23	A3	1	○	○	x	○	○	○
136	MC switchover interlock time	24	A4	1	○	○	x	○	○	○
137	Start waiting time	25	A5	1	○	○	x	○	○	○
138	Bypass selection at a fault	26	A6	1	○	○	x	○	○	○
139	Automatic switchover frequency from inverter to bypass operation	27	A7	1	○	○	x	○	○	○
140	Backlash acceleration stopping frequency	28	A8	1	○	○	○	○	○	○
141	Backlash acceleration stopping time	29	A9	1	○	○	○	○	○	○
142	Backlash deceleration stopping frequency	2A	AA	1	○	○	○	○	○	○
143	Backlash deceleration stopping time	2B	AB	1	○	○	○	○	○	○
144	Speed setting switchover	2C	AC	1	○	○	○	○	○	○
145	PU display language selection	2D	AD	1	○	○	○	○	x	x
147	Acceleration/deceleration time switching frequency	2F	AF	1	○	○	○	○	○	○
148	Stall prevention level at 0 V input	30	B0	1	○	○	x	○	○	○
149	Stall prevention level at 10 V input	31	B1	1	○	○	x	○	○	○
150	Output current detection level	32	B2	1	○	○	○	○	○	○
151	Output current detection signal delay time	33	B3	1	○	○	○	○	○	○
152	Zero current detection level	34	B4	1	○	○	○	○	○	○
153	Zero current detection time	35	B5	1	○	○	○	○	○	○
154	Voltage reduction selection during stall prevention operation	36	B6	1	○	○	x	○	○	○
155	RT signal function validity condition selection	37	B7	1	○	○	○	○	○	○
156	Stall prevention operation selection	38	B8	1	○	○	○	○	○	○
157	OL signal output timer	39	B9	1	○	○	○	○	○	○
158	AM terminal function selection	3A	BA	1	○	○	○	○	○	○
159	Automatic switchover frequency range from bypass to inverter operation	3B	BB	1	○	○	x	○	○	○
160	User group read selection	00	80	2	○	○	○	○	○	○
161	Frequency setting/key lock operation selection	01	81	2	○	○	○	○	x	○
162	Automatic restart after instantaneous power failure selection	02	82	2	○	○	○	○	○	○
163	First cushion time for restart	03	83	2	○	○	x	○	○	○
164	First cushion voltage for restart	04	84	2	○	○	x	○	○	○
165	Stall prevention operation level for restart	05	85	2	○	○	x	○	○	○
166	Output current detection signal retention time	06	86	2	○	○	○	○	○	○
167	Output current detection operation selection	07	87	2	○	○	○	○	○	○

Tab. A-3: Parameter list with instruction codes (4)

Pr.	Name	Instruction code ①			Control method ②			Parameter		
		Read	Write	Extended	V/F	Magnetic flux	PM	Copy ③	Clear ③	All clear ③
168	Parameter for manufacturer setting. Do not set.									
169										
170	Watt-hour meter clear	0A	8A	2	○	○	○	○	x	○
171	Operation hour meter clear	0B	8B	2	○	○	○	x	x	x
172	User group registered display/batch clear	0C	8C	2	○	○	○	x	x	x
173	User group registration	0D	8D	2	○	○	○	x	x	x
174	User group clear	0E	8E	2	○	○	○	x	x	x
178	STF terminal function selection	12	92	2	○	○	○	○	x	○
179	STR terminal function selection	13	93	2	○	○	○	○	x	○
180	RL terminal function selection	14	94	2	○	○	○	○	x	○
181	RM terminal function selection	15	95	2	○	○	○	○	x	○
182	RH terminal function selection	16	96	2	○	○	○	○	x	○
183	RT terminal function selection	17	97	2	○	○	○	○	x	○
184	AU terminal function selection	18	98	2	○	○	○	○	x	○
185	JOG terminal function selection	19	99	2	○	○	○	○	x	○
186	CS terminal function selection	1A	9A	2	○	○	○	○	x	○
187	MRS terminal function selection	1B	9B	2	○	○	○	○	x	○
188	STOP terminal function selection	1C	9C	2	○	○	○	○	x	○
189	RES terminal function selection	1D	9D	2	○	○	○	○	x	○
190	RUN terminal function selection	1E	9E	2	○	○	○	○	x	○
191	SU terminal function selection	1F	9F	2	○	○	○	○	x	○
192	IPF terminal function selection	20	A0	2	○	○	○	○	x	○
193	OL terminal function selection	21	A1	2	○	○	○	○	x	○
194	FU terminal function selection	22	A2	2	○	○	○	○	x	○
195	ABC1 terminal function selection	23	A3	2	○	○	○	○	x	○
196	ABC2 terminal function selection	24	A4	2	○	○	○	○	x	○
232	Multi-speed setting (speed 8)	28	A8	2	○	○	○	○	○	○
233	Multi-speed setting (speed 9)	29	A9	2	○	○	○	○	○	○
234	Multi-speed setting (speed 10)	2A	AA	2	○	○	○	○	○	○
235	Multi-speed setting (speed 11)	2B	AB	2	○	○	○	○	○	○
236	Multi-speed setting (speed 12)	2C	AC	2	○	○	○	○	○	○
237	Multi-speed setting (speed 13)	2D	AD	2	○	○	○	○	○	○
238	Multi-speed setting (speed 14)	2E	AE	2	○	○	○	○	○	○
239	Multi-speed setting (speed 15)	2F	AF	2	○	○	○	○	○	○
240	Soft-PWM operation selection	30	B0	2	○	○	○	○	○	○
241	Analog input display unit switchover	31	B1	2	○	○	○	○	○	○
242	Terminal 1 added compensation amount (terminal 2)	32	B2	2	○	○	○	○	○	○
243	Terminal 1 added compensation amount (terminal 4)	33	B3	2	○	○	○	○	○	○
244	Cooling fan operation selection	34	B4	2	○	○	○	○	○	○
245	Rated slip	35	B5	2	○	x	x	○	○	○
246	Slip compensation time constant	36	B6	2	○	x	x	○	○	○
247	Constant-power range slip compensation selection	37	B7	2	○	x	x	○	○	○


Tab. A-3: Parameter list with instruction codes (5)

Pr.	Name	Instruction code ①			Control method ②			Parameter		
		Read	Write	Extended	V/F	Magnetic flux	PM	Copy ③	Clear ③	All clear ③
248	Self power management selection	38	B8	2	○	○	○	○	○	○
249	Earth (ground) fault detection at start	39	B9	2	○	○	x	○	○	○
250	Stop selection	3A	BA	2	○	○	○	○	○	○
251	Output phase loss protection selection	3B	BB	2	○	○	○	○	○	○
252	Override bias	3C	BC	2	○	○	○	○	○	○
253	Override gain	3D	BD	2	○	○	○	○	○	○
254	Main circuit power OFF waiting time	3E	BE	2	○	○	○	○	○	○
255	Life alarm status display	3F	BF	2	○	○	○	x	x	x
256	Inrush current limit circuit life display	40	C0	2	○	○	○	x	x	x
257	Control circuit capacitor life display	41	C1	2	○	○	○	x	x	x
258	Main circuit capacitor life display	42	C2	2	○	○	○	x	x	x
259	Main circuit capacitor life measuring	43	C3	2	○	○	○	○	○	○
260	PWM frequency automatic switchover	44	C4	2	○	○	○	○	○	○
261	Power failure stop selection	45	C5	2	○	○	○	○	○	○
262	Subtracted frequency at deceleration start	46	C6	2	○	○	○	○	○	○
263	Subtraction starting frequency	47	C7	2	○	○	○	○	○	○
264	Power-failure deceleration time 1	48	C8	2	○	○	○	○	○	○
265	Power-failure deceleration time 2	49	C9	2	○	○	○	○	○	○
266	Power failure deceleration time switchover frequency	4A	CA	2	○	○	○	○	○	○
267	Terminal 4 input selection	4B	CB	2	○	○	○	○	x	○
268	Monitor decimal digits selection	4C	CC	2	○	○	○	○	○	○
269	Parameter for manufacturer setting. Do not set.									
289	Inverter output terminal filter	61	E1	2	○	○	○	○	x	○
290	Monitor negative output selection	62	E2	2	○	○	○	○	○	○
291	Pulse train I/O selection	63	E3	2	○	○	○	○	x	○
294	UV avoidance voltage gain	66	E6	2	○	○	○	○	○	○
295	Frequency change increment amount setting	67	E7	2	○	○	○	○	○	○
296	Password lock level	68	E8	2	○	○	○	○	x	○
297	Password lock/unlock	69	E9	2	○	○	○	○	○ ^⑤	○
298	Frequency search gain	6A	EA	2	○	○	x	○	x	○
299	Rotation direction detection selection at restarting	6B	EB	2	○	○	x	○	○	○
300	BCD input bias [AX]	00	80	3	○	○	○	○	○	○
301	BCD input gain [AX]	01	81	3	○	○	○	○	○	○
302	BIN input bias [AX]	02	82	3	○	○	○	○	○	○
303	BIN input gain [AX]	03	83	3	○	○	○	○	○	○
304	Digital input and analog input compensation enable/disable selection [AX]	04	84	3	○	○	○	○	○	○
305	Read timing operation selection [AX]	05	85	3	○	○	○	○	○	○
306	Analog output signal selection [AY]	06	86	3	○	○	○	○	○	○
307	Setting for zero analog output [AY]	07	87	3	○	○	○	○	○	○
308	Setting for maximum analog output [AY]	08	88	3	○	○	○	○	○	○
309	Analog output signal voltage/current switchover [AY]	09	89	3	○	○	○	○	○	○




Tab. A-3: Parameter list with instruction codes (6)

Pr.	Name	Instruction code ①			Control method ②			Parameter		
		Read	Write	Extended	V/F	Magnetic flux	PM	Copy ③	Clear ③	All clear ③
310	Analog meter voltage output selection [AY]	0A	8A	3	○	○	○	○	○	○
311	Setting for zero analog meter voltage output [AY]	0B	8B	3	○	○	○	○	○	○
312	Setting for maximum analog meter voltage output [AY]	0C	8C	3	○	○	○	○	○	○
313	DO0 output selection [AY] [NC] [NCE]	0D	8D	3	○	○	○	○	x	○
314	DO1 output selection [AY] [NC] [NCE]	0E	8E	3	○	○	○	○	x	○
315	DO2 output selection [AY] [NC] [NCE]	0F	8F	3	○	○	○	○	x	○
316	DO3 output selection [AY]	10	90	3	○	○	○	○	x	○
317	DO4 output selection [AY]	11	91	3	○	○	○	○	x	○
318	DO5 output selection [AY]	12	92	3	○	○	○	○	x	○
319	DO6 output selection [AY]	13	93	3	○	○	○	○	x	○
320	RA1 output selection [AR]	14	94	3	○	○	○	○	x	○
321	RA2 output selection [AR]	15	95	3	○	○	○	○	x	○
322	RA3 output selection [AR]	16	96	3	○	○	○	○	x	○
323	AM0 0V adjustment [AY]	17	97	3	○	○	○	○	x	○
324	AM1 0mA adjustment [AY]	18	98	3	○	○	○	○	x	○
329	Digital input unit selection [AX]	1D	9D	3	○	○	○	○	x	○
331	RS-485 communication station number	1F	9F	3	○	○	○	○	○ ^④	○ ^④
332	RS-485 communication speed	20	A0	3	○	○	○	○	○ ^④	○ ^④
333	RS-485 communication stop bit length / data length	21	A1	3	○	○	○	○	○ ^④	○ ^④
334	RS-485 communication parity check selection	22	A2	3	○	○	○	○	○ ^④	○ ^④
335	RS-485 communication retry count	23	A3	3	○	○	○	○	○ ^④	○ ^④
336	RS-485 communication check time interval	24	A4	3	○	○	○	○	○ ^④	○ ^④
337	RS-485 communication waiting time setting	25	A5	3	○	○	○	○	○ ^④	○ ^④
338	Communication operation command source	26	A6	3	○	○	○	○	○ ^④	○ ^④
339	Communication speed command source	27	A7	3	○	○	○	○	○ ^④	○ ^④
340	Communication startup mode selection	28	A8	3	○	○	○	○	○ ^④	○ ^④
341	RS-485 communication CR/LF selection	29	A9	3	○	○	○	○	○ ^④	○ ^④
342	Communication EEPROM write selection	2A	AA	3	○	○	○	○	○	○
343	Communication error count	2B	AB	3	○	○	○	x	x	x
345	DeviceNet address [ND]	2D	AD	3	○	○	○	○	○ ^④	○ ^④
346	DeviceNet/ControlNet baud rate [ND]	2E	AE	3	○	○	○	○	○ ^④	○ ^④
349	Communication reset selection [NC] [NCE] [ND] [NP]	31	B1	3	○	○	○	○	○ ^④	○ ^④
374	Overspeed detection level	4A	CA	3	x	x	○	○	○	○
384	Input pulse division scaling factor	54	D4	3	○	○	○	○	○	○
385	Frequency for zero input pulse	55	D5	3	○	○	○	○	○	○
386	Frequency for maximum input pulse	56	D6	3	○	○	○	○	○	○
390	% setting reference frequency	5A	DA	3	○	○	○	○	○	○
414	PLC function operation selection	0E	8E	4	○	○	○	○	x	x
415	Inverter operation lock mode setting	0F	8F	4	○	○	○	○	○	○
416	Pre-scale function selection	10	90	4	○	○	○	○	○	○
417	Pre-scale setting value	11	91	4	○	○	○	○	○	○




Tab. A-3: Parameter list with instruction codes (7)

Pr.	Name	Instruction code ①			Control method ②			Parameter		
		Read	Write	Extended				Copy ③	Clear ③	All clear ③
418	Extension output terminal filter <input type="checkbox"/> AY <input type="checkbox"/> AR	12	92	4	○	○	○	○	x	○
434	Network number (CC-Link IE) <input type="checkbox"/> NCE	22	A2	4	○	○	○	○	○ ^④	○ ^④
435	Station number (CC-Link IE) <input type="checkbox"/> NCE	23	A3	4	○	○	○	○	○ ^④	○ ^④
450	Second applied motor	32	B2	4	○	○	○	○	○	○
453	Second motor capacity	35	B5	4	x	○	○	○	○	○
454	Number of second motor poles	36	B6	4	x	○	○	○	○	○
455	Second motor excitation current	37	B7	4	x	○	x	○	x	○
456	Rated second motor voltage	38	B8	4	x	○	○	○	○	○
457	Rated second motor frequency	39	B9	4	x	○	○	○	○	○
458	Second motor constant (R1)	3A	BA	4	x	○	○	○	x	○
459	Second motor constant (R2)	3B	BB	4	x	○	○	○	x	○
460	Second motor constant (L1)/ d-axis inductance (Ld)	3C	BC	4	x	○	○	○	x	○
461	Second motor constant (L2)/ q-axis inductance (Lq)	3D	BD	4	x	○	○	○	x	○
462	Second motor constant (X)	3E	BE	4	x	○	x	○	x	○
463	Second motor auto tuning setting/status	3F	BF	4	x	○	○	○	x	○
495	Remote output selection	5F	DF	4	○	○	○	○	○	○
496	Remote output data 1	60	E0	4	○	○	○	x	x	x
497	Remote output data 2	61	E1	4	○	○	○	x	x	x
498	PLC function flash memory clear	62	E2	4	○	○	○	x	x	x
500	Communication error execution waiting time <input type="checkbox"/> NC <input type="checkbox"/> NCE <input type="checkbox"/> ND <input type="checkbox"/> NP	00	80	5	○	○	○	○	○	○
501	Communication error occurrence count display <input type="checkbox"/> NC <input type="checkbox"/> NCE <input type="checkbox"/> ND <input type="checkbox"/> NP	01	81	5	○	○	○	x	○	○
502	Stop mode selection at communication error	02	82	5	○	○	○	○	○	○
503	Maintenance timer 1	03	83	5	○	○	○	x	x	x
504	Maintenance timer 1 warning output set time	04	84	5	○	○	○	○	x	○
505	Speed setting reference	05	85	5	○	○	○	○	○	○
514	Emergency drive dedicated waiting time	0E	8E	5	○	○	○	○	x	○
515	Emergency drive dedicated retry count	0F	8F	5	○	○	○	○	x	○
522	Output stop frequency	16	96	5	○	○	○	○	○	○
523	Emergency drive mode selection	17	97	5	○	○	○	○	x	○
524	Emergency drive running speed	18	98	5	○	○	○	○	x	○
539	MODBUS® RTU communication check time interval	27	A7	5	○	○	○	○	○ ^④	○ ^④
541	Frequency command sign selection <input type="checkbox"/> NC <input type="checkbox"/> NCE <input type="checkbox"/> NP	29	A9	5	○	○	○	○	○ ^④	○ ^④
542	Communication station number (CC-Link) <input type="checkbox"/> NC	2A	AA	5	○	○	○	○	○ ^④	○ ^④
543	Baud rate selection (CC-Link) <input type="checkbox"/> NC	2B	AB	5	○	○	○	○	○ ^④	○ ^④
544	CC-Link extended setting <input type="checkbox"/> NC	2C	AC	5	○	○	○	○	○ ^④	○ ^④
547	USB communication station number	2F	AF	5	○	○	○	○	○ ^④	○ ^④
548	USB communication check time interval	30	B0	5	○	○	○	○	○ ^④	○ ^④
549	Protocol selection	31	B1	5	○	○	○	○	○ ^④	○ ^④
550	NET mode operation command source selection	32	B2	5	○	○	○	○	○ ^④	○ ^④
551	PU mode operation command source selection	33	B3	5	○	○	○	○	○ ^④	○ ^④




Tab. A-3: Parameter list with instruction codes (8)

Pr.	Name	Instruction code ①			Control method ②			Parameter		
		Read	Write	Extended				Copy ③	Clear ③	All clear ③
552	Frequency jump range	34	B4	5	○	○	○	○	○	○
553	PID deviation limit	35	B5	5	○	○	○	○	○	○
554	PID signal operation selection	36	B6	5	○	○	○	○	○	○
555	Current average time	37	B7	5	○	○	○	○	○	○
556	Data output mask time	38	B8	5	○	○	○	○	○	○
557	Current average value monitor signal output reference current	39	B9	5	○	○	○	○	○	○
560	Second frequency search gain	3C	BC	5	○	○	x	○	x	○
561	PTC thermistor protection level	3D	BD	5	○	○	○	○	x	○
563	Energization time carrying-over times	3F	BF	5	○	○	○	x	x	x
564	Operating time carrying-over times	40	C0	5	○	○	○	x	x	x
569	Second motor speed control gain	45	C5	5	x	○	x	○	x	○
570	Multiple rating setting	46	C6	5	○	○	○	○	x	x
571	Holding time at a start	47	C7	5	○	○	x	○	○	○
573	4 mA input check selection	49	C9	5	○	○	○	○	○	○
574	Second motor online auto tuning	4A	CA	5	x	○	x	○	○	○
575	Output interruption detection time	4B	CB	5	○	○	○	○	○	○
576	Output interruption detection level	4C	CC	5	○	○	○	○	○	○
577	Output interruption cancel level	4D	CD	5	○	○	○	○	○	○
578	Auxiliary motor operation selection	4E	CE	5	○	○	○	○	○	○
579	Motor connection function selection	4F	CF	5	○	○	○	○	○	○
580	MC switching interlock time	50	D0	5	○	○	○	○	○	○
581	Start waiting time	51	D1	5	○	○	○	○	○	○
582	Auxiliary motor connection-time deceleration time	52	D2	5	○	○	○	○	○	○
583	Auxiliary motor disconnection-time acceleration time	53	D3	5	○	○	○	○	○	○
584	Auxiliary motor 1 starting frequency	54	D4	5	○	○	○	○	○	○
585	Auxiliary motor 2 starting frequency	55	D5	5	○	○	○	○	○	○
586	Auxiliary motor 3 starting frequency	56	D6	5	○	○	○	○	○	○
587	Auxiliary motor 1 stopping frequency	57	D7	5	○	○	○	○	○	○
588	Auxiliary motor 2 stopping frequency	58	D8	5	○	○	○	○	○	○
589	Auxiliary motor 3 stopping frequency	59	D9	5	○	○	○	○	○	○
590	Auxiliary motor start detection time	5A	DA	5	○	○	○	○	○	○
591	Auxiliary motor stop detection time	5B	DB	5	○	○	○	○	○	○
592	Traverse function selection	5C	DC	5	○	○	○	○	○	○
593	Maximum amplitude amount	5D	DD	5	○	○	○	○	○	○
594	Amplitude compensation amount during deceleration	5E	DE	5	○	○	○	○	○	○
595	Amplitude compensation amount during acceleration	5F	DF	5	○	○	○	○	○	○
596	Amplitude acceleration time	60	E0	5	○	○	○	○	○	○
597	Amplitude deceleration time	61	E1	5	○	○	○	○	○	○
598	Undervoltage level	62	E2	5	○	○	x	○	○	○
599	X10 terminal input selection	63	E3	5	○	○	○	○	○	○
600	First free thermal reduction frequency 1	00	80	6	○	○	○	○	○	○

Tab. A-3: Parameter list with instruction codes (9)

Pr.	Name	Instruction code ①			Control method ②			Parameter		
		Read	Write	Extended				Copy ③	Clear ③	All clear ③
601	First free thermal reduction ratio 1	01	81	6	○	○	○	○	○	○
602	First free thermal reduction frequency 2	02	82	6	○	○	○	○	○	○
603	First free thermal reduction ratio 2	03	83	6	○	○	○	○	○	○
604	First free thermal reduction frequency 3	04	84	6	○	○	○	○	○	○
606	Power failure stop external signal input selection	06	86	6	○	○	○	○	○	○
607	Motor permissible load level	07	87	6	○	○	○	○	○	○
608	Second motor permissible load level	08	88	6	○	○	○	○	○	○
609	PID set point/deviation input selection	09	89	6	○	○	○	○	○	○
610	PID measured value input selection	0A	8A	6	○	○	○	○	○	○
611	Acceleration time at a restart	0B	8B	6	○	○	○	○	○	○
653	Speed smoothing control	35	B5	6	○	○	x	○	○	○
654	Speed smoothing cutoff frequency	36	B6	6	○	○	x	○	○	○
655	Analog remote output selection	37	B7	6	○	○	○	○	○	○
656	Analog remote output 1	38	B8	6	○	○	○	x	x	x
657	Analog remote output 2	39	B9	6	○	○	○	x	x	x
658	Analog remote output 3	3A	BA	6	○	○	○	x	x	x
659	Analog remote output 4	3B	BB	6	○	○	○	x	x	x
660	Increased magnetic excitation deceleration operation selection	3C	BC	6	○	○	x	○	○	○
661	Magnetic excitation increase rate	3D	BD	6	○	○	x	○	○	○
662	Increased magnetic excitation current level	3E	BE	6	○	○	x	○	○	○
663	Control circuit temperature signal output level	3F	BF	6	○	○	○	○	○	○
665	Regeneration avoidance frequency gain	41	C1	6	○	○	○	○	○	○
668	Power failure stop frequency gain	44	C4	6	○	○	○	○	○	○
673	SF-PR slip amount adjustment operation selection	49	C9	6	○	x	x	○	○	○
674	SF-PR slip amount adjustment gain	4A	CA	6	○	x	x	○	○	○
684	Tuning data unit switchover	54	D4	6	x	○	○	○	○	○
686	Maintenance timer 2	56	D6	6	○	○	○	x	x	x
687	Maintenance timer 2 warning output set time	57	D7	6	○	○	○	○	x	○
688	Maintenance timer 3	58	D8	6	○	○	○	x	x	x
689	Maintenance timer 3 warning output set time	59	D9	6	○	○	○	○	x	○
692	Second free thermal reduction frequency 1	5C	DC	6	○	○	○	○	○	○
693	Second free thermal reduction ratio 1	5D	DD	6	○	○	○	○	○	○
694	Second free thermal reduction frequency 2	5E	DE	6	○	○	○	○	○	○
695	Second free thermal reduction ratio 2	5F	DF	6	○	○	○	○	○	○
696	Second free thermal reduction frequency 3	60	E0	6	○	○	○	○	○	○
699	Input terminal filter	63	E3	6	○	○	○	○	x	○
702	Maximum motor frequency	02	82	7	x	x	○	○	○	○
706	Induced voltage constant (phi f)	06	86	7	x	x	○	○	x	○
707	Motor inertia (integer)	07	87	7	x	x	○	○	○	○
711	Motor Ld decay ratio	0B	8B	7	x	x	○	○	x	○
712	Motor Lq decay ratio	0C	8C	7	x	x	○	○	x	○
717	Starting resistance tuning compensation	11	91	7	x	x	○	○	x	○
721	Starting magnetic pole position detection pulse width	15	95	7	x	x	○	○	x	○




Tab. A-3: Parameter list with instruction codes (10)

Pr.	Name	Instruction code ①			Control method ②			Parameter		
		Read	Write	Extended				Copy ③	Clear ③	All clear ③
724	Motor inertia (exponent)	18	98	7	x	x	○	○	○	○
725	Motor protection current level	19	99	7	x	x	○	○	○	○
726	Auto Baudrate/Max Master	1A	9A	7	○	○	○	○	○ ^④	○ ^④
727	Max Info Frames	1B	9B	7	○	○	○	○	○ ^④	○ ^④
728	Device instance number (Upper 3 digits)	1C	9C	7	○	○	○	○	○ ^④	○ ^④
729	Device instance number (Lower 4 digits)	1D	9D	7	○	○	○	○	○ ^④	○ ^④
738	Second motor induced voltage constant (phi f)	26	A6	7	x	x	○	○	x	○
739	Second motor Ld decay ratio	27	A7	7	x	x	○	○	x	○
740	Second motor Lq decay ratio	28	A8	7	x	x	○	○	x	○
741	Second starting resistance tuning compensation	29	A9	7	x	x	○	○	x	○
742	Second motor magnetic pole detection pulse width	2A	AA	7	x	x	○	○	x	○
743	Second motor maximum frequency	2B	AB	7	x	x	○	○	○	○
744	Second motor inertia (integer)	2C	AC	7	x	x	○	○	○	○
745	Second motor inertia (exponent)	2D	AD	7	x	x	○	○	○	○
746	Second motor protection current level	2E	AE	7	x	x	○	○	○	○
753	Second PID action selection	35	B5	7	○	○	○	○	○	○
754	Second PID control automatic switchover frequency	36	B6	7	○	○	○	○	○	○
755	Second PID action set point	37	B7	7	○	○	○	○	○	○
756	Second PID proportional band	38	B8	7	○	○	○	○	○	○
757	Second PID integral time	39	B9	7	○	○	○	○	○	○
758	Second PID differential time	3A	BA	7	○	○	○	○	○	○
759	PID unit selection	3B	BB	7	○	○	○	○	○	○
760	Pre-charge fault selection	3C	BC	7	○	○	○	○	○	○
761	Pre-charge ending level	3D	BD	7	○	○	○	○	○	○
762	Pre-charge ending time	3E	BE	7	○	○	○	○	○	○
763	Pre-charge upper detection level	3F	BF	7	○	○	○	○	○	○
764	Pre-charge time limit	40	C0	7	○	○	○	○	○	○
765	Second pre-charge fault selection	41	C1	7	○	○	○	○	○	○
766	Second pre-charge ending level	42	C2	7	○	○	○	○	○	○
767	Second pre-charge ending time	43	C3	7	○	○	○	○	○	○
768	Second pre-charge upper detection level	44	C4	7	○	○	○	○	○	○
769	Second pre-charge time limit	45	C5	7	○	○	○	○	○	○
774	Operation panel monitor selection 1	4A	CA	7	○	○	○	○	○	○
775	Operation panel monitor selection 2	4B	CB	7	○	○	○	○	○	○
776	Operation panel monitor selection 3	4C	CC	7	○	○	○	○	○	○
777	4 mA input check operation frequency	4D	CD	7	○	○	○	○	○	○
778	4 mA input check filter	4E	CE	7	○	○	○	○	○	○
779	Operation frequency during communication error	4F	CF	7	○	○	○	○	○	○
791	Acceleration time in low-speed range	5B	DB	7	x	x	○	○	○	○
792	Deceleration time in low-speed range	5C	DC	7	x	x	○	○	○	○
799	Pulse increment setting for output power	63	E3	7	○	○	○	○	○	○
800	Control method selection	00	80	8	○	○	○	○	○	○
820	Speed control P gain 1	14	94	8	x	x	○	○	○	○




Tab. A-3: Parameter list with instruction codes (11)

Pr.	Name	Instruction code ①			Control method ②			Parameter		
		Read	Write	Extended				Copy ③	Clear ③	All clear ③
821	Speed control integral time 1	15	95	8	x	x	○	○	○	○
822	Speed setting filter 1	16	96	8	x	x	○	○	○	○
824	Torque control P gain 1 (current loop proportional gain)	18	98	8	x	x	○	○	○	○
825	Torque control integral time 1 (current loop integral time)	19	99	8	x	x	○	○	○	○
827	Torque detection filter 1	1B	9B	8	x	x	○	○	○	○
828	Parameter for manufacturer setting. Do not set.									
830	Speed control P gain 2	1E	9E	8	x	x	○	○	○	○
831	Speed control integral time 2	1F	9F	8	x	x	○	○	○	○
832	Speed setting filter 2	20	A0	8	x	x	○	○	○	○
834	Torque control P gain 2	22	A2	8	x	x	○	○	○	○
835	Torque control integral time 2	23	A3	8	x	x	○	○	○	○
837	Torque detection filter 2	25	A5	8	x	x	○	○	○	○
849	Analog input offset adjustment	31	B1	8	○	○	○	○	○	○
858	Terminal 4 function assignment	3A	BA	8	○	○	x	○	x	○
859	Torque current/Rated PM motor current	3B	BB	8	x	○	○	○	x	○
860	Second motor torque current/Rated PM motor current	3C	BC	8	x	○	○	○	x	○
864	Torque detection	40	C0	8	x	x	○	○	○	○
866	Torque monitoring reference	42	C2	8	x	○	○	○	○	○
867	AM output filter	43	C3	8	○	○	○	○	○	○
868	Terminal 1 function assignment	44	C4	8	○	○	x	○	x	○
869	Current output filter	45	C5	8	○	○	○	○	○	○
870	Speed detection hysteresis	46	C6	8	○	○	○	○	○	○
872	Input phase loss protection selection	48	C8	8	○	○	○	○	○	○
874	OLT level setting	4A	CA	8	x	x	○	○	○	○
882	Regeneration avoidance operation selection	52	D2	8	○	○	○	○	○	○
883	Regeneration avoidance operation level	53	D3	8	○	○	○	○	○	○
884	Regeneration avoidance at deceleration detection sensitivity	54	D4	8	○	○	○	○	○	○
885	Regeneration avoidance compensation frequency limit value	55	D5	8	○	○	○	○	○	○
886	Regeneration avoidance voltage gain	56	D6	8	○	○	○	○	○	○
888	Free parameter 1	58	D8	8	○	○	○	○	x	x
889	Free parameter 2	59	D9	8	○	○	○	○	x	x
891	Cumulative power monitor digit shifted times	5B	DB	8	○	○	○	○	○	○
892	Load factor	5C	DC	8	○	○	○	○	○	○
893	Energy saving monitor reference (motor capacity)	5D	DD	8	○	○	○	○	○	○
894	Control selection during commercial power-supply operation	5E	DE	8	○	○	○	○	○	○
895	Power saving rate reference value	5F	DF	8	○	○	○	○	○	○
896	Power unit cost	60	E0	8	○	○	○	○	○	○
897	Power saving monitor average time	61	E1	8	○	○	○	○	○	○
898	Power saving cumulative monitor clear	62	E2	8	○	○	○	○	x	○
899	Operation time rate (estimated value)	63	E3	8	○	○	○	○	○	○




Tab. A-3: Parameter list with instruction codes (12)

Pr.	Name	Instruction code ①			Control method ②			Parameter		
		Read	Write	Extended				Copy ③	Clear ③	All clear ③
C0 (900)	FM/CA terminal calibration	5C	DC	1	○	○	○	○	x	○
C1 (901)	AM terminal calibration	5D	DD	1	○	○	○	○	x	○
C2 (902)	Terminal 2 frequency setting bias frequency	5E	DE	1	○	○	○	○	x	○
C3 (902)	Terminal 2 frequency setting bias	5E	DE	1	○	○	○	○	x	○
125 (903)	Terminal 2 frequency setting gain frequency	5F	DF	1	○	○	○	○	x	○
C4 (903)	Terminal 2 frequency setting gain	5F	DF	1	○	○	○	○	x	○
C5 (904)	Terminal 4 frequency setting bias frequency	60	E0	1	○	○	○	○	x	○
C6 (904)	Terminal 4 frequency setting bias	60	E0	1	○	○	○	○	x	○
126 (905)	Terminal 4 frequency setting gain frequency	61	E1	1	○	○	○	○	x	○
C7 (905)	Terminal 4 frequency setting gain	61	E1	1	○	○	○	○	x	○
C12 (917)	Terminal 1 bias frequency (speed)	11	91	9	x	x	x	○	x	○
C13 (917)	Terminal 1 bias (speed)	11	91	9	x	x	x	○	x	○
C14 (918)	Terminal 1 gain frequency (speed)	12	92	9	x	x	x	○	x	○
C15 (918)	Terminal 1 gain (speed)	12	92	9	x	x	x	○	x	○
C16 (919)	Terminal 1 bias command (torque)	13	93	9	x	x	x	○	x	○
C17 (919)	Terminal 1 bias (torque)	13	93	9	x	x	x	○	x	○
C18 (920)	Terminal 1 gain command (torque)	14	94	9	x	x	x	○	x	○
C19 (920)	Terminal 1 gain (torque)	14	94	9	x	x	x	○	x	○
C8 (930)	Current output bias signal	1E	9E	9	○	○	○	○	○	○
C9 (930)	Current output bias current	1E	9E	9	○	○	○	○	○	○
C10 (931)	Current output gain signal	1F	9F	9	○	○	○	○	○	○
C11 (931)	Current output gain current	1F	9F	9	○	○	○	○	○	○
C38 (932)	Terminal 4 bias command (torque)	20	A0	9	x	x	x	○	x	○
C39 (932)	Terminal 4 bias (torque)	20	A0	9	x	x	x	○	x	○
C40 (933)	Terminal 4 gain command (torque)	21	A1	9	x	x	x	○	x	○
C41 (933)	Terminal 4 gain (torque)	21	A1	9	x	x	x	○	x	○




Tab. A-3: Parameter list with instruction codes (13)

Pr.	Name	Instruction code ①			Control method ②			Parameter		
		Read	Write	Extended				Copy ③	Clear ③	All clear ③
C42 (934)	PID display bias coefficient	22	A2	9	○	○	○	○	x	○
C43 (934)	PID display bias analog value	22	A2	9	○	○	○	○	x	○
C44 (935)	PID display gain coefficient	23	A3	9	○	○	○	○	x	○
C45 (935)	PID display gain analog value	23	A3	9	○	○	○	○	x	○
977	Input voltage mode selection	4D	CD	9	○	○	○	○	x	x
989	Parameter copy alarm release	59	D9	9	○	○	○	○	x	○
990	PU buzzer control	5A	DA	9	○	○	○	○	○	○
991	PU contrast adjustment	5B	DB	9	○	○	○	○	x	○
992	Operation panel setting dial push monitor selection	5C	DC	9	○	○	○	○	○	○
997	Fault initiation	61	E1	9	○	○	○	x	x	x
998	PM parameter initialization	62	E2	9	○	○	○	○	○	○
999	Automatic parameter setting	63	E3	9	○	○	○	x	x	○
1000	Parameter for manufacturer setting. Do not set.									
1002	Lq tuning target current adjustment coefficient	02	82	A	x	x	○	○	○	○
1006	Clock (year)	06	86	A	○	○	○	x	x	x
1007	Clock (month, day)	07	87	A	○	○	○	x	x	x
1008	Clock (hour, minute)	08	88	A	○	○	○	x	x	x
1013	Running speed after emergency drive retry reset	0D	8D	A	○	○	○	○	x	○
1015	Integral stop selection at limited frequency	0F	8F	A	○	○	○	○	○	○
1016	PTC thermistor protection detection time	10	90	A	○	○	○	○	x	○
1018	Monitor with sign selection	12	92	A	○	○	○	○	○	○
1019	Analog meter voltage negative output selection [AY]	13	93	A	○	○	○	○	○	○
1020	Trace operation selection	14	94	A	○	○	○	○	○	○
1021	Trace mode selection	15	95	A	○	○	○	○	○	○
1022	Sampling cycle	16	96	A	○	○	○	○	○	○
1023	Number of analog channels	17	97	A	○	○	○	○	○	○
1024	Sampling auto start	18	98	A	○	○	○	○	○	○
1025	Trigger mode selection	19	99	A	○	○	○	○	○	○
1026	Number of sampling before trigger	1A	9A	A	○	○	○	○	○	○
1027	Analog source selection (1ch)	1B	9B	A	○	○	○	○	○	○
1028	Analog source selection (2ch)	1C	9C	A	○	○	○	○	○	○
1029	Analog source selection (3ch)	1D	9D	A	○	○	○	○	○	○
1030	Analog source selection (4ch)	1E	9E	A	○	○	○	○	○	○
1031	Analog source selection (5ch)	1F	9F	A	○	○	○	○	○	○
1032	Analog source selection (6ch)	20	A0	A	○	○	○	○	○	○
1033	Analog source selection (7ch)	21	A1	A	○	○	○	○	○	○
1034	Analog source selection (8ch)	22	A2	A	○	○	○	○	○	○
1035	Analog trigger channel	23	A3	A	○	○	○	○	○	○
1036	Analog trigger operation selection	24	A4	A	○	○	○	○	○	○
1037	Analog trigger level	25	A5	A	○	○	○	○	○	○




Tab. A-3: Parameter list with instruction codes (14)

Pr.	Name	Instruction code ①			Control method ②			Parameter		
		Read	Write	Extended				Copy ③	Clear ③	All clear ③
1038	Digital source selection (1ch)	26	A6	A	○	○	○	○	○	○
1039	Digital source selection (2ch)	27	A7	A	○	○	○	○	○	○
1040	Digital source selection (3ch)	28	A8	A	○	○	○	○	○	○
1041	Digital source selection (4ch)	29	A9	A	○	○	○	○	○	○
1042	Digital source selection (5ch)	2A	AA	A	○	○	○	○	○	○
1043	Digital source selection (6ch)	2B	AB	A	○	○	○	○	○	○
1044	Digital source selection (7ch)	2C	AC	A	○	○	○	○	○	○
1045	Digital source selection (8ch)	2D	AD	A	○	○	○	○	○	○
1046	Digital trigger channel	2E	AE	A	○	○	○	○	○	○
1047	Digital trigger operation selection	2F	AF	A	○	○	○	○	○	○
1048	Display-off waiting time	30	B0	A	○	○	○	○	○	○
1049	USB host reset	31	B1	A	○	○	○	x	x	x
1106	Torque monitor filter	06	86	B	○	○	○	○	○	○
1107	Running speed monitor filter	07	87	B	○	○	○	○	○	○
1108	Excitation current monitor filter	08	88	B	○	○	x	○	○	○
1132	Pre-charge change increment amount	20	A0	B	○	○	○	○	○	○
1133	Second pre-charge change increment amount	21	A1	B	○	○	○	○	○	○
1136	Second PID display bias coefficient	24	A4	B	○	○	○	○	x	○
1137	Second PID display bias analog value	25	A5	B	○	○	○	○	x	○
1138	Second PID display gain coefficient	26	A6	B	○	○	○	○	x	○
1139	Second PID display gain analog value	27	A7	B	○	○	○	○	x	○
1140	Second PID set point/deviation input selection	28	A8	B	○	○	○	○	○	○
1141	Second PID measured value input selection	29	A9	B	○	○	○	○	○	○
1142	Second PID unit selection	2A	AA	B	○	○	○	○	○	○
1143	Second PID upper limit	2B	AB	B	○	○	○	○	○	○
1144	Second PID lower limit	2C	AC	B	○	○	○	○	○	○
1145	Second PID deviation limit	2D	AD	B	○	○	○	○	○	○
1146	Second PID signal operation selection	2E	AE	B	○	○	○	○	○	○
1147	Second output interruption detection time	2F	AF	B	○	○	○	○	○	○
1148	Second output interruption detection level	30	B0	B	○	○	○	○	○	○
1149	Second output interruption cancel level	31	B1	B	○	○	○	○	○	○
1150	User parameters 1	32	B2	B	○	○	○	○	○	○
1151	User parameters 2	33	B3	B	○	○	○	○	○	○
1152	User parameters 3	34	B4	B	○	○	○	○	○	○
1153	User parameters 4	35	B5	B	○	○	○	○	○	○
1154	User parameters 5	36	B6	B	○	○	○	○	○	○
1155	User parameters 6	37	B7	B	○	○	○	○	○	○
1156	User parameters 7	38	B8	B	○	○	○	○	○	○
1157	User parameters 8	39	B9	B	○	○	○	○	○	○
1158	User parameters 9	3A	BA	B	○	○	○	○	○	○
1159	User parameters 10	3B	BB	B	○	○	○	○	○	○
1160	User parameters 11	3C	BC	B	○	○	○	○	○	○
1161	User parameters 12	3D	BD	B	○	○	○	○	○	○
1162	User parameters 13	3E	BE	B	○	○	○	○	○	○




Tab. A-3: Parameter list with instruction codes (15)

Pr.	Name	Instruction code ①			Control method ②			Parameter		
		Read	Write	Extended				Copy ③	Clear ③	All clear ③
1163	User parameters 14	3F	BF	B	○	○	○	○	○	○
1164	User parameters 15	40	C0	B	○	○	○	○	○	○
1165	User parameters 16	41	C1	B	○	○	○	○	○	○
1166	User parameters 17	42	C2	B	○	○	○	○	○	○
1167	User parameters 18	43	C3	B	○	○	○	○	○	○
1168	User parameters 19	44	C4	B	○	○	○	○	○	○
1169	User parameters 20	45	C5	B	○	○	○	○	○	○
1170	User parameters 21	46	C6	B	○	○	○	○	○	○
1171	User parameters 22	47	C7	B	○	○	○	○	○	○
1172	User parameters 23	48	C8	B	○	○	○	○	○	○
1173	User parameters 24	49	C9	B	○	○	○	○	○	○
1174	User parameters 25	4A	CA	B	○	○	○	○	○	○
1175	User parameters 26	4B	CB	B	○	○	○	○	○	○
1176	User parameters 27	4C	CC	B	○	○	○	○	○	○
1177	User parameters 28	4D	CD	B	○	○	○	○	○	○
1178	User parameters 29	4E	CE	B	○	○	○	○	○	○
1179	User parameters 30	4F	CF	B	○	○	○	○	○	○
1180	User parameters 31	50	D0	B	○	○	○	○	○	○
1181	User parameters 32	51	D1	B	○	○	○	○	○	○
1182	User parameters 33	52	D2	B	○	○	○	○	○	○
1183	User parameters 34	53	D3	B	○	○	○	○	○	○
1184	User parameters 35	54	D4	B	○	○	○	○	○	○
1185	User parameters 36	55	D5	B	○	○	○	○	○	○
1186	User parameters 37	56	D6	B	○	○	○	○	○	○
1187	User parameters 38	57	D7	B	○	○	○	○	○	○
1188	User parameters 39	58	D8	B	○	○	○	○	○	○
1189	User parameters 40	59	D9	B	○	○	○	○	○	○
1190	User parameters 41	5A	DA	B	○	○	○	○	○	○
1191	User parameters 42	5B	DB	B	○	○	○	○	○	○
1192	User parameters 43	5C	DC	B	○	○	○	○	○	○
1193	User parameters 44	5D	DD	B	○	○	○	○	○	○
1194	User parameters 45	5E	DE	B	○	○	○	○	○	○
1195	User parameters 46	5F	DF	B	○	○	○	○	○	○
1196	User parameters 47	60	E0	B	○	○	○	○	○	○
1197	User parameters 48	61	E1	B	○	○	○	○	○	○
1198	User parameters 49	62	E2	B	○	○	○	○	○	○
1199	User parameters 50	63	E3	B	○	○	○	○	○	○
1211	PID gain tuning timeout time	0B	8B	C	○	○	○	○	○	○
1212	Step manipulated amount	0C	8C	C	○	○	○	○	○	○
1213	Step response sampling cycle	0D	8D	C	○	○	○	○	○	○
1214	Timeout time after the maximum slope	0E	8E	C	○	○	○	○	○	○
1215	Limit cycle output upper limit	0F	8F	C	○	○	○	○	○	○
1216	Limit cycle output lower limit	10	90	C	○	○	○	○	○	○
1217	Limit cycle hysteresis	11	91	C	○	○	○	○	○	○

Tab. A-3: Parameter list with instruction codes (16)

Pr.	Name	Instruction code ①			Control method ②			Parameter		
		Read	Write	Extended				Copy ③	Clear ③	All clear ③
1218	PID gain tuning setting	12	92	C	○	○	○	○	○	○
1219	PID gain tuning start/status	13	93	C	○	○	○	x	x	x
1361	Detection time for PID output hold	3D	BD	D	○	○	○	○	○	○
1362	PID output hold range	3E	BE	D	○	○	○	○	○	○
1363	PID Priming time	3F	BF	D	○	○	○	○	○	○
1364	Stirring time during sleep	40	C0	D	○	○	○	○	○	○
1365	Stirring interval time	41	C1	D	○	○	○	○	○	○
1366	Sleep boost level	42	C2	D	○	○	○	○	○	○
1367	Sleep boost waiting time	43	C3	D	○	○	○	○	○	○
1368	Output interruption cancel time	44	C4	D	○	○	○	○	○	○
1369	Check valve closing completion frequency	45	C5	D	○	○	○	○	○	○
1370	Detection time for PID limiting operation	46	C6	D	○	○	○	○	○	○
1371	PID upper/lower limit prewarning level range	47	C7	D	○	○	○	○	○	○
1372	PID measured value control set point change amount	48	C8	D	○	○	○	○	○	○
1373	PID measured value control set point change rate	49	C9	D	○	○	○	○	○	○
1374	Auxiliary pressure pump operation starting level	4A	CA	D	○	○	○	○	○	○
1375	Auxiliary pressure pump operation stopping level	4B	CB	D	○	○	○	○	○	○
1376	Auxiliary motor stopping level	4C	CC	D	○	○	○	○	○	○
1377	PID input pressure selection	4D	CD	D	○	○	○	○	○	○
1378	PID input pressure warning level	4E	CE	D	○	○	○	○	○	○
1379	PID input pressure fault level	4F	CF	D	○	○	○	○	○	○
1380	PID input pressure warning set point change amount	50	D0	D	○	○	○	○	○	○
1381	PID input pressure fault operation selection	51	D1	D	○	○	○	○	○	○
1460	PID multistage set point 1	3C	BC	E	○	○	○	○	○	○
1461	PID multistage set point 2	3D	BD	E	○	○	○	○	○	○
1462	PID multistage set point 3	3E	BE	E	○	○	○	○	○	○
1463	PID multistage set point 4	3F	BF	E	○	○	○	○	○	○
1464	PID multistage set point 5	40	C0	E	○	○	○	○	○	○
1465	PID multistage set point 6	41	C1	E	○	○	○	○	○	○
1466	PID multistage set point 7	42	C2	E	○	○	○	○	○	○
1469	Number of cleaning times monitor	45	C5	E	○	○	○	x	x	x
1470	Number of cleaning times setting	46	C6	E	○	○	○	○	○	○
1471	Cleaning trigger selection	47	C7	E	○	○	○	○	○	○
1472	Cleaning reverse rotation frequency	48	C8	E	○	○	○	○	○	○
1473	Cleaning reverse rotation operation time	49	C9	E	○	○	○	○	○	○
1474	Cleaning forward rotation frequency	4A	CA	E	○	○	○	○	○	○
1475	Cleaning forward rotation operation time	4B	CB	E	○	○	○	○	○	○
1476	Cleaning stop time	4C	CC	E	○	○	○	○	○	○
1477	Cleaning acceleration time	4D	CD	E	○	○	○	○	○	○
1478	Cleaning deceleration time	4E	CE	E	○	○	○	○	○	○
1479	Cleaning time trigger	4F	CF	E	○	○	○	○	○	○
1480	Load characteristics measurement mode	50	D0	E	○	○	○	○	○	○
1481	Load characteristics load reference 1	51	D1	E	○	○	○	○	○	○

Tab. A-3: Parameter list with instruction codes (17)

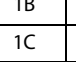
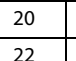
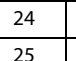
Pr.	Name	Instruction code ^①			Control method ^②			Parameter		
		Read	Write	Extended				Copy ^③	Clear ^③	All clear ^③
1482	Load characteristics load reference 2	52	D2	E	○	○	○	○	○	○
1483	Load characteristics load reference 3	53	D3	E	○	○	○	○	○	○
1484	Load characteristics load reference 4	54	D4	E	○	○	○	○	○	○
1485	Load characteristics load reference 5	55	D5	E	○	○	○	○	○	○
1486	Load characteristics maximum frequency	56	D6	E	○	○	○	○	○	○
1487	Load characteristics minimum frequency	57	D7	E	○	○	○	○	○	○
1488	Upper limit warning detection width	58	D8	E	○	○	○	○	○	○
1489	Lower limit warning detection width	59	D9	E	○	○	○	○	○	○
1490	Upper limit fault detection width	5A	DA	E	○	○	○	○	○	○
1491	Lower limit fault detection width	5B	DB	E	○	○	○	○	○	○
1492	Load status detection signal delay time / load reference measurement waiting time	5C	DC	E	○	○	○	○	○	○

Tab. A-3: Parameter list with instruction codes (18)




A.4 Ethernet communication parameters (functions) and instruction codes under different control methods

The following table shows the Ethernet communication parameters (FR-F800-E only), the corresponding instruction codes, and the availability of the parameters by control method.

- ① Instruction codes are used to read or write parameters through the Ethernet network (Modbus®/TCP or CC-Link IE Field Network Basic).
(Refer to page 5-593 for the details of the Modbus®/TCP, and to page 5-610 for the details of the CC-Link IE Field Network Basic.)
- ② Function availability under each control method is shown as below:
○: Available
×: Not available
- ③ For "parameter copy", "parameter clear", and "all parameter clear", the function availability is indicated as follows:
○: Available
×: Not available
- ④ Communication parameters that are not cleared by Parameter clear (All parameter clear) through the Ethernet network (Modbus/TCP or CC-Link IE Field Network Basic).
(Refer to page 5-593 for the details of the Modbus®/TCP, and to page 5-610 for the details of the CC-Link IE Field Network Basic.)

Pr.	Name	Instruction code ①			Control method ②			Parameter		
		Read	Write	Extended				Copy ③	Clear ③	All clear ③
1124	Station number in inverter-to-inverter link	18	98	B	○	○	○	○	○ ^④	○ ^④
1125	Number of inverters in inverter-to-inverter link system	19	99	B	○	○	○	○	○ ^④	○ ^④
1424	Ethernet communication network number	18	98	E	○	○	○	○	○ ^④	○ ^④
1425	Ethernet communication station number	19	99	E	○	○	○	○	○ ^④	○ ^④
1426	Link speed and duplex mode selection	1A	9A	E	○	○	○	○	○ ^④	○ ^④
1427	Ethernet function selection 1	1B	9B	E	○	○	○	○	○ ^④	○ ^④
1428	Ethernet function selection 2	1C	9C	E	○	○	○	○	○ ^④	○ ^④
1429	Ethernet function selection 3	1D	9D	E	○	○	○	○	○ ^④	○ ^④
1431	Ethernet signal loss detection function selection	1F	9F	E	○	○	○	○	○ ^④	○ ^④
1432	Ethernet communication check time interval	20	A0	E	○	○	○	○	○ ^④	○ ^④
1434	Ethernet IP address 1	22	A2	E	○	○	○	○	○ ^④	○ ^④
1435	Ethernet IP address 2	23	A3	E	○	○	○	○	○ ^④	○ ^④
1436	Ethernet IP address 3	24	A4	E	○	○	○	○	○ ^④	○ ^④
1437	Ethernet IP address 4	25	A5	E	○	○	○	○	○ ^④	○ ^④
1438	Subnet mask 1	26	A6	E	○	○	○	○	○ ^④	○ ^④
1439	Subnet mask 2	27	A7	E	○	○	○	○	○ ^④	○ ^④
1440	Subnet mask 3	28	A8	E	○	○	○	○	○ ^④	○ ^④
1441	Subnet mask 4	29	A9	E	○	○	○	○	○ ^④	○ ^④
1442	Ethernet IP filter address 1	2A	AA	E	○	○	○	○	○ ^④	○ ^④
1443	Ethernet IP filter address 2	2B	AB	E	○	○	○	○	○ ^④	○ ^④
1444	Ethernet IP filter address 3	2C	AC	E	○	○	○	○	○ ^④	○ ^④
1445	Ethernet IP filter address 4	2D	AD	E	○	○	○	○	○ ^④	○ ^④
1446	Ethernet IP filter address 2 range specification	2E	AE	E	○	○	○	○	○ ^④	○ ^④

Tab. A-4: Parameter list with instruction codes for Ethernet communication(1)

Pr.	Name	Instruction code ①			Control method ②			Parameter		
		Read	Write	Extended				Copy ③	Clear ③	All clear ③
1447	Ethernet IP filter address 3 range specification	2F	AF	E	○	○	○	○	○ ^④	○ ^④
1448	Ethernet IP filter address 4 range specification	30	B0	E	○	○	○	○	○ ^④	○ ^④
1449	Ethernet command source selection IP address 1	31	B1	E	○	○	○	○	○ ^④	○ ^④
1450	Ethernet command source selection IP address 2	32	B2	E	○	○	○	○	○ ^④	○ ^④
1451	Ethernet command source selection IP address 3	33	B3	E	○	○	○	○	○ ^④	○ ^④
1452	Ethernet command source selection IP address 4	34	B4	E	○	○	○	○	○ ^④	○ ^④
1453	Ethernet command source selection IP address 3 range specification	35	B5	E	○	○	○	○	○ ^④	○ ^④
1454	Ethernet command source selection IP address 4 range specification	36	B6	E	○	○	○	○	○ ^④	○ ^④
1455	Keepalive time	37	B7	E	○	○	○	○	○ ^④	○ ^④

Tab. A-4: Parameter list with instruction codes for Ethernet communication(2)

A.5 For customers using HMS network options

A.5.1 List of inverter monitored items / command items

The following items can be set using a communication option.

16bit data

No.	Description	Unit	Type	Read/write
H0000	No data	—	—	—
H0001	Output frequency	0.01 Hz	unsigned	R
H0002	Output current	0.01 A/0.1 A	unsigned	R
H0003	Output voltage	0.1 V	unsigned	R
H0004	reserved	—	—	—
H0005	Frequency setting value	0.01 Hz	unsigned	R
H0006	Motor speed	1 r/min	unsigned	R
H0007	Motor torque	0.1%	unsigned	R
H0008	Converter output voltage	0.1 V	unsigned	R
H0009	reserved	—	—	—
H000A	Electric thermal relay function load factor	0.1%	unsigned	R
H000B	Output current peak value	0.01 A/0.1 A	unsigned	R
H000C	Converter output voltage peak value	0.1 V	unsigned	R
H000D	Input power	0.01 kW/0.1 kW	unsigned	R
H000E	Output power	0.01 kW/0.1 kW	unsigned	R
H000F	Input terminal status ^①	—	—	R
H0010	Output terminal status ^①	—	—	R
H0011	Load meter	0.1%	unsigned	R
H0012	Motor excitation current	0.01 A/0.1 A	unsigned	R
H0013	reserved	—	—	—
H0014	Cumulative energization time	1 h	unsigned	R
H0015	reserved	—	—	—
H0016	Orientation status	1	unsigned	R
H0017	Actual operation time	1 h	unsigned	R
H0018	Motor load factor	0.1%	unsigned	R
H0019	Cumulative power	1 kWh	unsigned	R
H001A to H0021	reserved	—	—	—
H0022	Motor output	0.1 kW	unsigned	R
H0023 to H0025	reserved	—	—	—
H0026	Trace status	—	unsigned	R
H0027	reserved	—	—	—
H0028	PLC function user monitor 1	—	unsigned	R
H0029	PLC function user monitor 2	—	unsigned	R
H002A	PLC function user monitor 3	—	unsigned	R
H002B to H002D	reserved	—	—	—
H002E	Motor temperature			R
H002F to H0031	reserved	—	—	—
H0032	Power saving effect	—	unsigned	R
H0033	Cumulative saving power	—	unsigned	R
H0034	PID set point	0.1%	unsigned	R/W
H0035	PID measured value	0.1%	unsigned	R/W

Tab. A-5: Inverter monitored items (16bit data) (1)

No.	Description	Unit	Type	Read/write
H0036	PID deviation	0.1%	unsigned	R/W
H0037 to H0039	reserved	—	—	—
H003A	Option input terminal status1 ^①	—	—	R
H003B	Option input terminal status2 ^①	—	—	R
H003C	Option output terminal status ^①	—	—	R
H003D	Motor thermal load factor	0.1%	unsigned	R
H003E	Transistor thermal load factor	0.1%	unsigned	R
H003F	reserved	—	—	—
H0040	PTC thermistor resistance	ohm	unsigned	R
H0041	Output power (with regenerative display)			R
H0042	Cumulative regenerative power			R
H0043	PID measured value 2	0.1%	unsigned	R
H0044	2nd PID set point	0.1%	unsigned	R/W
H0045	2nd PID measured value	0.1%	unsigned	R/W
H0046	2nd PID deviation	0.1%	unsigned	R/W
H0048 to H004F	reserved	—	—	—
H0050	Integrated power on time			R
H0051	Running time			R
H0052	Saving energy monitor			R
H0053	reserved	—	—	—
H0054	Fault code (1)	—	—	R
H0055	Fault code (2)	—	—	R
H0056	Fault code (3)	—	—	R
H0057	Fault code (4)	—	—	R
H0058	Fault code (5)	—	—	R
H0059	Fault code (6)	—	—	R
H005A	Fault code (7)	—	—	R
H005B	Fault code (8)	—	—	R
H005C to H005E	reserved	—	—	—
H005F	Second PID measured value 2	0.1%	unsigned	R
H0060	Second PID manipulated variable	0.1%	unsigned	R
H0061 to H0065	reserved	—	—	—
H0066	PID manipulated variable	0.1%	unsigned	R
H0067 to H00F8	reserved	—	—	—
H00F9	Run command ^②	—	—	R/W
H00FA to H01FF	reserved	—	—	—

Tab. A-5: Inverter monitored items (16bit data) (2)

① For details, refer to page 5-198.

② Run command

Users can specify the terminal function using this data. These bits function is depending on inverter parameter setting, refer to page 5-285.

b15														b0		
—	—	—	—	RES	STP (STOP)	CS	JOG	MRS	RT	RH	RM	RL	—	—	AU	

32bit data

No.	Description	Unit	Type	Read/write
H0200	reserved	—	—	—
H0201	Output frequency (0–15bit)	0.01 Hz	signed	R
H0202	Output frequency (16–31bit)			
H0203	Setting frequency (0–15bit)	0.01 Hz	signed	R
H0204	Setting frequency (16–31bit)			
H0205	Motor rotation (0–15bit)	1 r/min	signed	R
H0206	Motor rotation (16–31bit)			
H0207	Load meter (0–15bit)	0.1%	signed	R
H0208	Load meter (16–31bit)			
H0209 H020A	reserved	—	—	—
H020B	Watt-hour meter (1kWh step) (0–15bit)	1 kWh	unsigned	R
H020C	Watt-hour meter (1kWh step) (16–31bit)			
H020D	Watt-hour meter (0.1/0.01kWh step) (0–15bit)	0.1/0.01 kWh	unsigned	R
H020E	Watt-hour meter(0.1/0.01kWh step) (16–31bit)			
H020F to H03FF	reserved	—	—	—

Tab. A-6: *Inverter monitored items (32bit data)*

A.6 EC Declarations of Conformity

A.6.1 FR-F820/FR-F840/FR-F842 series



EU DECLARATION OF CONFORMITY

We,

Manufacturer : MITSUBISHI ELECTRIC CORPORATION

Address : TOKYO 100-8310, JAPAN
(Place of Declare)

Brand Name :  , 

declare under our sole responsibility that the product

Description : Inverter
Type of Model : FR-F820 series, FR-F840 series, FR-F842 series, FR-CC2 series
FR-AF800 series
Notice : Each type name shows from next page

to which this declaration relates is in conformity with the following standard and directive.


Directive		Harmonized Standard	Notified Body
Low Voltage Directive	2014/35/EU	EN61800-5-1:2007	1
EMC Directive	2014/30/EU	EN61800-3:2004+A1:2012	—
Machinery Directive	2006/42/EC	EN ISO 13849-1:2015 (Category 3, PL d) EN61800-5-2:2007 (STO function) EN62061:2005+AC:2010+A1:2013 (SIL 2) EN 60204-1:2006+A1:2009 (Stop category 0)	1

The Last Two digit of the year in which the CE marking was affixed for Low Voltage Directive is 14.

This declaration is based on the conformity assessment of following Notified Body		
No.	Name and Address	Identification Number
1	TUV-Rheinland, Am Grauen Stein, D-51105 Koeln, Germany	0035

Authorized representative in Europe (The person authorized to compile the Technical file or relevant Technical documentation) Hartmut Puetz FA Product Marketing, Director, MITSUBISHI ELECTRIC EUROPE B.V., German Branch Mitsubishi-Electric-Platz 1, 40882 Ratingen, Germany Issue Date (Date of Declaration): 21 Nov. 2016
--

Signed for and on behalf of

(Signature) 
 [Shinzo Tomonaga]
 General Manager, Inverter System Department
 MITSUBISHI ELECTRIC CORPORATION



Appendix: List of type models to declare

• Standard model (FR-F820 series, FR-F840 series)

Model Name	Model Name	Model Name	Model Name	Model Name
FR-F820-0.75K-1	FR-F820-1.5K-1	FR-F820-2.2K-1	FR-F820-3.7K-1	FR-F820-5.5K-1
FR-F820-7.5K-1	FR-F820-11K-1	FR-F820-15K-1	FR-F820-18.5K-1	FR-F820-22K-1
FR-F820-30K-1	FR-F820-37K-1	FR-F820-45K-1	FR-F820-55K-1	FR-F820-75K-1
FR-F820-90K-1	FR-F820-110K-1			
FR-F820-0.75K-1-60	FR-F820-1.5K-1-60	FR-F820-2.2K-1-60	FR-F820-3.7K-1-60	FR-F820-5.5K-1-60
FR-F820-7.5K-1-60	FR-F820-11K-1-60	FR-F820-15K-1-60	FR-F820-18.5K-1-60	FR-F820-22K-1-60
FR-F820-30K-1-60	FR-F820-37K-1-60	FR-F820-45K-1-60	FR-F820-55K-1-60	FR-F820-75K-1-60
FR-F820-90K-1-60	FR-F820-110K-1-60			
FR-F820-0.75K-1-06	FR-F820-1.5K-1-06	FR-F820-2.2K-1-06	FR-F820-3.7K-1-06	FR-F820-5.5K-1-06
FR-F820-7.5K-1-06	FR-F820-11K-1-06	FR-F820-15K-1-06	FR-F820-18.5K-1-06	FR-F820-22K-1-06
FR-F820-30K-1-06	FR-F820-37K-1-06	FR-F820-45K-1-06	FR-F820-55K-1-06	FR-F820-75K-1-06
FR-F820-90K-1-06	FR-F820-110K-1-06			
FR-F820-0.75K-2	FR-F820-1.5K-2	FR-F820-2.2K-2	FR-F820-3.7K-2	FR-F820-5.5K-2
FR-F820-7.5K-2	FR-F820-11K-2	FR-F820-15K-2	FR-F820-18.5K-2	FR-F820-22K-2
FR-F820-30K-2	FR-F820-37K-2	FR-F820-45K-2	FR-F820-55K-2	FR-F820-75K-2
FR-F820-90K-2	FR-F820-110K-2			
FR-F820-0.75K-2-60	FR-F820-1.5K-2-60	FR-F820-2.2K-2-60	FR-F820-3.7K-2-60	FR-F820-5.5K-2-60
FR-F820-7.5K-2-60	FR-F820-11K-2-60	FR-F820-15K-2-60	FR-F820-18.5K-2-60	FR-F820-22K-2-60
FR-F820-30K-2-60	FR-F820-37K-2-60	FR-F820-45K-2-60	FR-F820-55K-2-60	FR-F820-75K-2-60
FR-F820-90K-2-60	FR-F820-110K-2-60			
FR-F820-0.75K-2-06	FR-F820-1.5K-2-06	FR-F820-2.2K-2-06	FR-F820-3.7K-2-06	FR-F820-5.5K-2-06
FR-F820-7.5K-2-06	FR-F820-11K-2-06	FR-F820-15K-2-06	FR-F820-18.5K-2-06	FR-F820-22K-2-06
FR-F820-30K-2-06	FR-F820-37K-2-06	FR-F820-45K-2-06	FR-F820-55K-2-06	FR-F820-75K-2-06
FR-F820-90K-2-06	FR-F820-110K-2-06			
FR-F840-0.75K-1	FR-F840-1.5K-1	FR-F840-2.2K-1	FR-F840-3.7K-1	FR-F840-5.5K-1
FR-F840-7.5K-1	FR-F840-11K-1	FR-F840-15K-1	FR-F840-18.5K-1	FR-F840-22K-1
FR-F840-30K-1	FR-F840-37K-1	FR-F840-45K-1	FR-F840-55K-1	FR-F840-75K-1
FR-F840-90K-1	FR-F840-110K-1	FR-F840-132K-1	FR-F840-160K-1	FR-F840-185K-1
FR-F840-220K-1	FR-F840-250K-1	FR-F840-280K-1	FR-F840-315K-1	
FR-F840-0.75K-1-60	FR-F840-1.5K-1-60	FR-F840-2.2K-1-60	FR-F840-3.7K-1-60	FR-F840-5.5K-1-60
FR-F840-7.5K-1-60	FR-F840-11K-1-60	FR-F840-15K-1-60	FR-F840-18.5K-1-60	FR-F840-22K-1-60
FR-F840-30K-1-60	FR-F840-37K-1-60	FR-F840-45K-1-60	FR-F840-55K-1-60	FR-F840-75K-1-60
FR-F840-90K-1-60	FR-F840-110K-1-60	FR-F840-132K-1-60	FR-F840-160K-1-60	FR-F840-185K-1-60
FR-F840-220K-1-60	FR-F840-250K-1-60	FR-F840-280K-1-60	FR-F840-315K-1-60	
FR-F840-0.75K-1-06	FR-F840-1.5K-1-06	FR-F840-2.2K-1-06	FR-F840-3.7K-1-06	FR-F840-5.5K-1-06
FR-F840-7.5K-1-06	FR-F840-11K-1-06	FR-F840-15K-1-06	FR-F840-18.5K-1-06	FR-F840-22K-1-06
FR-F840-30K-1-06	FR-F840-37K-1-06	FR-F840-45K-1-06	FR-F840-55K-1-06	FR-F840-75K-1-06
FR-F840-90K-1-06	FR-F840-110K-1-06	FR-F840-132K-1-06	FR-F840-160K-1-06	FR-F840-185K-1-06
FR-F840-220K-1-06	FR-F840-250K-1-06	FR-F840-280K-1-06	FR-F840-315K-1-06	
FR-F840-0.75K-2	FR-F840-1.5K-2	FR-F840-2.2K-2	FR-F840-3.7K-2	FR-F840-5.5K-2

BCN-A21160-095-D



Appendix: List of type models to declare

Model Name	Model Name	Model Name	Model Name	Model Name
FR-F840-7.5K-2	FR-F840-11K-2	FR-F840-15K-2	FR-F840-18.5K-2	FR-F840-22K-2
FR-F840-30K-2	FR-F840-37K-2	FR-F840-45K-2	FR-F840-55K-2	FR-F840-75K-2
FR-F840-90K-2	FR-F840-110K-2	FR-F840-132K-2	FR-F840-160K-2	FR-F840-185K-2
FR-F840-220K-2	FR-F840-250K-2	FR-F840-280K-2	FR-F840-315K-2	
FR-F840-0.75K-2-60	FR-F840-1.5K-2-60	FR-F840-2.2K-2-60	FR-F840-3.7K-2-60	FR-F840-5.5K-2-60
FR-F840-7.5K-2-60	FR-F840-11K-2-60	FR-F840-15K-2-60	FR-F840-18.5K-2-60	FR-F840-22K-2-60
FR-F840-30K-2-60	FR-F840-37K-2-60	FR-F840-45K-2-60	FR-F840-55K-2-60	FR-F840-75K-2-60
FR-F840-90K-2-60	FR-F840-110K-2-60	FR-F840-132K-2-60	FR-F840-160K-2-60	FR-F840-185K-2-60
FR-F840-220K-2-60	FR-F840-250K-2-60	FR-F840-280K-2-60	FR-F840-315K-2-60	
FR-F840-0.75K-2-06	FR-F840-1.5K-2-06	FR-F840-2.2K-2-06	FR-F840-3.7K-2-06	FR-F840-5.5K-2-06
FR-F840-7.5K-2-06	FR-F840-11K-2-06	FR-F840-15K-2-06	FR-F840-18.5K-2-06	FR-F840-22K-2-06
FR-F840-30K-2-06	FR-F840-37K-2-06	FR-F840-45K-2-06	FR-F840-55K-2-06	FR-F840-75K-2-06
FR-F840-90K-2-06	FR-F840-110K-2-06	FR-F840-132K-2-06	FR-F840-160K-2-06	FR-F840-185K-2-06
FR-F840-220K-2-06	FR-F840-250K-2-06	FR-F840-280K-2-06	FR-F840-315K-2-06	
FR-F820-00046-1	FR-F820-00077-1	FR-F820-00105-1	FR-F820-00167-1	FR-F820-00250-1
FR-F820-00340-1	FR-F820-00490-1	FR-F820-00630-1	FR-F820-00770-1	FR-F820-00930-1
FR-F820-01250-1	FR-F820-01540-1	FR-F820-01870-1	FR-F820-02330-1	FR-F820-03160-1
FR-F820-03800-1	FR-F820-04750-1			
FR-F820-00046-1-60	FR-F820-00077-1-60	FR-F820-00105-1-60	FR-F820-00167-1-60	FR-F820-00250-1-60
FR-F820-00340-1-60	FR-F820-00490-1-60	FR-F820-00630-1-60	FR-F820-00770-1-60	FR-F820-00930-1-60
FR-F820-01250-1-60	FR-F820-01540-1-60	FR-F820-01870-1-60	FR-F820-02330-1-60	FR-F820-03160-1-60
FR-F820-03800-1-60	FR-F820-04750-1-60			
FR-F820-00046-1-06	FR-F820-00077-1-06	FR-F820-00105-1-06	FR-F820-00167-1-06	FR-F820-00250-1-06
FR-F820-00340-1-06	FR-F820-00490-1-06	FR-F820-00630-1-06	FR-F820-00770-1-06	FR-F820-00930-1-06
FR-F820-01250-1-06	FR-F820-01540-1-06	FR-F820-01870-1-06	FR-F820-02330-1-06	FR-F820-03160-1-06
FR-F820-03800-1-06	FR-F820-04750-1-06			
FR-F820-00046-1-N6	FR-F820-00077-1-N6	FR-F820-00105-1-N6	FR-F820-00167-1-N6	FR-F820-00250-1-N6
FR-F820-00340-1-N6	FR-F820-00490-1-N6	FR-F820-00630-1-N6	FR-F820-00770-1-N6	FR-F820-00930-1-N6
FR-F820-01250-1-N6				
FR-F820-00046-2	FR-F820-00077-2	FR-F820-00105-2	FR-F820-00167-2	FR-F820-00250-2
FR-F820-00340-2	FR-F820-00490-2	FR-F820-00630-2	FR-F820-00770-2	FR-F820-00930-2
FR-F820-01250-2	FR-F820-01540-2	FR-F820-01870-2	FR-F820-02330-2	FR-F820-03160-2
FR-F820-03800-2	FR-F820-04750-2			
FR-F820-00046-2-60	FR-F820-00077-2-60	FR-F820-00105-2-60	FR-F820-00167-2-60	FR-F820-00250-2-60
FR-F820-00340-2-60	FR-F820-00490-2-60	FR-F820-00630-2-60	FR-F820-00770-2-60	FR-F820-00930-2-60
FR-F820-01250-2-60	FR-F820-01540-2-60	FR-F820-01870-2-60	FR-F820-02330-2-60	FR-F820-03160-2-60
FR-F820-03800-2-60	FR-F820-04750-2-60			
FR-F820-00046-2-06	FR-F820-00077-2-06	FR-F820-00105-2-06	FR-F820-00167-2-06	FR-F820-00250-2-06
FR-F820-00340-2-06	FR-F820-00490-2-06	FR-F820-00630-2-06	FR-F820-00770-2-06	FR-F820-00930-2-06
FR-F820-01250-2-06	FR-F820-01540-2-06	FR-F820-01870-2-06	FR-F820-02330-2-06	FR-F820-03160-2-06

BCN-A21160-095-D



Appendix: List of type models to declare

Model Name	Model Name	Model Name	Model Name	Model Name
FR-F820-03800-2-06	FR-F820-04750-2-06			
FR-F820-00046-2-N6	FR-F820-00077-2-N6	FR-F820-00105-2-N6	FR-F820-00167-2-N6	FR-F820-00250-2-N6
FR-F820-00340-2-N6	FR-F820-00490-2-N6	FR-F820-00630-2-N6	FR-F820-00770-2-N6	FR-F820-00930-2-N6
FR-F820-01250-2-N6				
FR-F840-00023-1	FR-F840-00038-1	FR-F840-00052-1	FR-F840-00083-1	FR-F840-00126-1
FR-F840-00170-1	FR-F840-00250-1	FR-F840-00310-1	FR-F840-00380-1	FR-F840-00470-1
FR-F840-00620-1	FR-F840-00770-1	FR-F840-00930-1	FR-F840-01160-1	FR-F840-01800-1
FR-F840-02160-1	FR-F840-02600-1	FR-F840-03250-1	FR-F840-03610-1	FR-F840-04320-1
FR-F840-04810-1	FR-F840-05470-1	FR-F840-06100-1	FR-F840-06830-1	
FR-F840-00023-1-60	FR-F840-00038-1-60	FR-F840-00052-1-60	FR-F840-00083-1-60	FR-F840-00126-1-60
FR-F840-00170-1-60	FR-F840-00250-1-60	FR-F840-00310-1-60	FR-F840-00380-1-60	FR-F840-00470-1-60
FR-F840-00620-1-60	FR-F840-00770-1-60	FR-F840-00930-1-60	FR-F840-01160-1-60	FR-F840-01800-1-60
FR-F840-02160-1-60	FR-F840-02600-1-60	FR-F840-03250-1-60	FR-F840-03610-1-60	FR-F840-04320-1-60
FR-F840-04810-1-60	FR-F840-05470-1-60	FR-F840-06100-1-60	FR-F840-06830-1-60	
FR-F840-00023-1-06	FR-F840-00038-1-06	FR-F840-00052-1-06	FR-F840-00083-1-06	FR-F840-00126-1-06
FR-F840-00170-1-06	FR-F840-00250-1-06	FR-F840-00310-1-06	FR-F840-00380-1-06	FR-F840-00470-1-06
FR-F840-00620-1-06	FR-F840-00770-1-06	FR-F840-00930-1-06	FR-F840-01160-1-06	FR-F840-01800-1-06
FR-F840-02160-1-06	FR-F840-02600-1-06	FR-F840-03250-1-06	FR-F840-03610-1-06	FR-F840-04320-1-06
FR-F840-04810-1-06	FR-F840-05470-1-06	FR-F840-06100-1-06	FR-F840-06830-1-06	
FR-F840-00023-1-N6	FR-F840-00038-1-N6	FR-F840-00052-1-N6	FR-F840-00083-1-N6	FR-F840-00126-1-N6
FR-F840-00170-1-N6	FR-F840-00250-1-N6	FR-F840-00310-1-N6	FR-F840-00380-1-N6	FR-F840-00470-1-N6
FR-F840-00620-1-N6				
FR-F840-00023-2	FR-F840-00038-2	FR-F840-00052-2	FR-F840-00083-2	FR-F840-00126-2
FR-F840-00170-2	FR-F840-00250-2	FR-F840-00310-2	FR-F840-00380-2	FR-F840-00470-2
FR-F840-00620-2	FR-F840-00770-2	FR-F840-00930-2	FR-F840-01160-2	FR-F840-01800-2
FR-F840-02160-2	FR-F840-02600-2	FR-F840-03250-2	FR-F840-03610-2	FR-F840-04320-2
FR-F840-04810-2	FR-F840-05470-2	FR-F840-06100-2	FR-F840-06830-2	
FR-F840-00023-2-60	FR-F840-00038-2-60	FR-F840-00052-2-60	FR-F840-00083-2-60	FR-F840-00126-2-60
FR-F840-00170-2-60	FR-F840-00250-2-60	FR-F840-00310-2-60	FR-F840-00380-2-60	FR-F840-00470-2-60
FR-F840-00620-2-60	FR-F840-00770-2-60	FR-F840-00930-2-60	FR-F840-01160-2-60	FR-F840-01800-2-60
FR-F840-02160-2-60	FR-F840-02600-2-60	FR-F840-03250-2-60	FR-F840-03610-2-60	FR-F840-04320-2-60
FR-F840-04810-2-60	FR-F840-05470-2-60	FR-F840-06100-2-60	FR-F840-06830-2-60	
FR-F840-00023-2-06	FR-F840-00038-2-06	FR-F840-00052-2-06	FR-F840-00083-2-06	FR-F840-00126-2-06
FR-F840-00170-2-06	FR-F840-00250-2-06	FR-F840-00310-2-06	FR-F840-00380-2-06	FR-F840-00470-2-06
FR-F840-00620-2-06	FR-F840-00770-2-06	FR-F840-00930-2-06	FR-F840-01160-2-06	FR-F840-01800-2-06
FR-F840-02160-2-06	FR-F840-02600-2-06	FR-F840-03250-2-06	FR-F840-03610-2-06	FR-F840-04320-2-06
FR-F840-04810-2-06	FR-F840-05470-2-06	FR-F840-06100-2-06	FR-F840-06830-2-06	
FR-F840-00023-2-N6	FR-F840-00038-2-N6	FR-F840-00052-2-N6	FR-F840-00083-2-N6	FR-F840-00126-2-N6
FR-F840-00170-2-N6	FR-F840-00250-2-N6	FR-F840-00310-2-N6	FR-F840-00380-2-N6	FR-F840-00470-2-N6
FR-F840-00620-2-N6				



Appendix: List of type models to declare

Model Name	Model Name	Model Name	Model Name	Model Name
FR-F820-00046-3-N6	FR-F820-00077-3-N6	FR-F820-00105-3-N6	FR-F820-00167-3-N6	FR-F820-00250-3-N6
FR-F820-00340-3-N6	FR-F820-00490-3-N6	FR-F820-00630-3-N6	FR-F820-00770-3-N6	FR-F820-00930-3-N6
FR-F820-01250-3-N6	FR-F820-01540-3-60	FR-F820-01870-3-60	FR-F820-02330-3-60	FR-F820-03160-3-60
FR-F820-90K-1-U6	FR-F820-110K-1-U6	FR-F820-90K-2-U6	FR-F820-110K-2-U6	FR-F820-90K-3-U6
FR-F820-110K-3-U6	FR-F820-03800-1-U6	FR-F820-04750-1-U6	FR-F820-03800-2-U6	FR-F820-04750-2-U6
FR-F820-03800-3-U6	FR-F820-04750-3-U6			
FR-F840-00023-3-N6	FR-F840-00038-3-N6	FR-F840-00052-3-N6	FR-F840-00083-3-N6	FR-F840-00126-3-N6
FR-F840-00170-3-N6	FR-F840-00250-3-N6	FR-F840-00310-3-N6	FR-F840-00380-3-N6	FR-F840-00470-3-N6
FR-F840-00620-3-N6	FR-F840-00770-3-60	FR-F840-00930-3-60	FR-F840-01160-3-60	FR-F840-01800-3-60
FR-F840-90K-1-U6	FR-F840-110K-1-U6	FR-F840-132K-1-U6	FR-F840-160K-1-U6	FR-F840-185K-1-U6
FR-F840-220K-1-U6	FR-F840-250K-1-U6	FR-F840-280K-1-U6	FR-F840-315K-1-U6	
FR-F840-90K-2-U6	FR-F840-110K-2-U6	FR-F840-132K-2-U6	FR-F840-160K-2-U6	FR-F840-185K-2-U6
FR-F840-220K-2-U6	FR-F840-250K-2-U6	FR-F840-280K-2-U6	FR-F840-315K-2-U6	
FR-F840-90K-3-U6	FR-F840-110K-3-U6	FR-F840-132K-3-U6	FR-F840-160K-3-U6	FR-F840-185K-3-U6
FR-F840-220K-3-U6	FR-F840-250K-3-U6	FR-F840-280K-3-U6	FR-F840-315K-3-U6	
FR-F840-02160-1-U6	FR-F840-02600-1-U6	FR-F840-03250-1-U6	FR-F840-03610-1-U6	FR-F840-04320-1-U6
FR-F840-04810-1-U6	FR-F840-05470-1-U6	FR-F840-06100-1-U6	FR-F840-06830-1-U6	
FR-F840-02160-2-U6	FR-F840-02600-2-U6	FR-F840-03250-2-U6	FR-F840-03610-2-U6	FR-F840-04320-2-U6
FR-F840-04810-2-U6	FR-F840-05470-2-U6	FR-F840-06100-2-U6	FR-F840-06830-2-U6	
FR-F840-02160-3-U6	FR-F840-02600-3-U6	FR-F840-03250-3-U6	FR-F840-03610-3-U6	FR-F840-04320-3-U6
FR-F840-04810-3-U6	FR-F840-05470-3-U6	FR-F840-06100-3-U6	FR-F840-06830-3-U6	
FR-F820-0.75K-1-N6	FR-F820-1.5K-1-N6	FR-F820-2.2K-1-N6	FR-F820-3.7K-1-N6	FR-F820-5.5K-1-N6
FR-F820-7.5K-1-N6	FR-F820-11K-1-N6	FR-F820-15K-1-N6	FR-F820-18.5K-1-N6	FR-F820-22K-1-N6
FR-F820-30K-1-N6				
FR-F820-0.75K-2-N6	FR-F820-1.5K-2-N6	FR-F820-2.2K-2-N6	FR-F820-3.7K-2-N6	FR-F820-5.5K-2-N6
FR-F820-7.5K-2-N6	FR-F820-11K-2-N6	FR-F820-15K-2-N6	FR-F820-18.5K-2-N6	FR-F820-22K-2-N6
FR-F820-30K-2-N6				
FR-F840-0.75K-1-N6	FR-F840-1.5K-1-N6	FR-F840-2.2K-1-N6	FR-F840-3.7K-1-N6	FR-F840-5.5K-1-N6
FR-F840-7.5K-1-N6	FR-F840-11K-1-N6	FR-F840-15K-1-N6	FR-F840-18.5K-1-N6	FR-F840-22K-1-N6
FR-F840-30K-1-N6				
FR-F840-0.75K-2-N6	FR-F840-1.5K-2-N6	FR-F840-2.2K-2-N6	FR-F840-3.7K-2-N6	FR-F840-5.5K-2-N6
FR-F840-7.5K-2-N6	FR-F840-11K-2-N6	FR-F840-15K-2-N6	FR-F840-18.5K-2-N6	FR-F840-22K-2-N6
FR-F840-30K-2-N6				



Appendix: List of type models to declare

• Separated converter type (FR-F842 series)

Model Name	Model Name	Model Name	Model Name	Model Name
FR-F842-355K-1	FR-F842-400K-1	FR-F842-450K-1	FR-F842-500K-1	FR-F842-560K-1
FR-F842-355K-1-60	FR-F842-400K-1-60	FR-F842-450K-1-60	FR-F842-500K-1-60	FR-F842-560K-1-60
FR-F842-355K-1-06	FR-F842-400K-1-06	FR-F842-450K-1-06	FR-F842-500K-1-06	FR-F842-560K-1-06
FR-F842-355K-2	FR-F842-400K-2	FR-F842-450K-2	FR-F842-500K-2	FR-F842-560K-2
FR-F842-355K-2-60	FR-F842-400K-2-60	FR-F842-450K-2-60	FR-F842-500K-2-60	FR-F842-560K-2-60
FR-F842-355K-2-06	FR-F842-400K-2-06	FR-F842-450K-2-06	FR-F842-500K-2-06	FR-F842-560K-2-06
FR-F842-07700-1	FR-F842-08660-1	FR-F842-09620-1	FR-F842-10940-1	FR-F842-12120-1
FR-F842-07700-1-60	FR-F842-08660-1-60	FR-F842-09620-1-60	FR-F842-10940-1-60	FR-F842-12120-1-60
FR-F842-07700-1-06	FR-F842-08660-1-06	FR-F842-09620-1-06	FR-F842-10940-1-06	FR-F842-12120-1-06
FR-F842-07700-2	FR-F842-08660-2	FR-F842-09620-2	FR-F842-10940-2	FR-F842-12120-2
FR-F842-07700-2-60	FR-F842-08660-2-60	FR-F842-09620-2-60	FR-F842-10940-2-60	FR-F842-12120-2-60
FR-F842-07700-2-06	FR-F842-08660-2-06	FR-F842-09620-2-06	FR-F842-10940-2-06	FR-F842-12120-2-06
FR-F842-355K-1-U6	FR-F842-400K-1-U6	FR-F842-450K-1-U6	FR-F842-500K-1-U6	FR-F842-560K-1-U6
FR-F842-355K-2-U6	FR-F842-400K-2-U6	FR-F842-450K-2-U6	FR-F842-500K-2-U6	FR-F842-560K-2-U6
FR-F842-355K-3-U6	FR-F842-400K-3-U6	FR-F842-450K-3-U6	FR-F842-500K-3-U6	FR-F842-560K-3-U6
FR-F842-07700-1-U6	FR-F842-08660-1-U6	FR-F842-09620-1-U6	FR-F842-10940-1-U6	FR-F842-12120-1-U6
FR-F842-07700-2-U6	FR-F842-08660-2-U6	FR-F842-09620-2-U6	FR-F842-10940-2-U6	FR-F842-12120-2-U6
FR-F842-07700-3-U6	FR-F842-08660-3-U6	FR-F842-09620-3-U6	FR-F842-10940-3-U6	FR-F842-12120-3-U6

• Converter unit (FR-CC2 series)

Model Name	Model Name	Model Name	Model Name	Model Name
FR-CC2-H355K-60	FR-CC2-H400K-60	FR-CC2-H450K-60	FR-CC2-H500K-60	FR-CC2-H560K-60
FR-CC2-H630K-60	FR-CC2-H355K-06	FR-CC2-H400K-06	FR-CC2-H450K-06	FR-CC2-H500K-06
FR-CC2-H560K-60	FR-CC2-H630K-60			

Added revision A.: 10-03-2016

Model Name	Model Name	Model Name	Model Name	Model Name
FR-F820-01540-3-06	FR-F820-01870-3-06	FR-F820-02330-3-06	FR-F820-03160-3-06	
FR-F840-00770-3-06	FR-F840-00930-3-06	FR-F840-01160-3-06	FR-F840-01800-3-06	

Added revision C.: 10-09-2016

Model Name	Model Name	Model Name	Model Name	Model Name
FR-F820-0.75K-E1	FR-F820-1.5K-E1	FR-F820-2.2K-E1	FR-F820-3.7K-E1	FR-F820-5.5K-E1
FR-F820-7.5K-E1	FR-F820-11K-E1	FR-F820-15K-E1	FR-F820-18.5K-E1	FR-F820-22K-E1
FR-F820-30K-E1	FR-F820-37K-E1	FR-F820-45K-E1	FR-F820-55K-E1	FR-F820-75K-E1
FR-F820-90K-E1	FR-F820-110K-E1			
FR-F820-0.75K-E1-60	FR-F820-1.5K-E1-60	FR-F820-2.2K-E1-60	FR-F820-3.7K-E1-60	FR-F820-5.5K-E1-60
FR-F820-7.5K-E1-60	FR-F820-11K-E1-60	FR-F820-15K-E1-60	FR-F820-18.5K-E1-60	FR-F820-22K-E1-60
FR-F820-30K-E1-60	FR-F820-37K-E1-60	FR-F820-45K-E1-60	FR-F820-55K-E1-60	FR-F820-75K-E1-60
FR-F820-90K-E1-60	FR-F820-110K-E1-60			



Appendix: List of type models to declare

Model Name	Model Name	Model Name	Model Name	Model Name
FR-F820-0.75K-E1-06	FR-F820-1.5K-E1-06	FR-F820-2.2K-E1-06	FR-F820-3.7K-E1-06	FR-F820-5.5K-E1-06
FR-F820-7.5K-E1-06	FR-F820-11K-E1-06	FR-F820-15K-E1-06	FR-F820-18.5K-E1-06	FR-F820-22K-E1-06
FR-F820-30K-E1-06	FR-F820-37K-E1-06	FR-F820-45K-E1-06	FR-F820-55K-E1-06	FR-F820-75K-E1-06
FR-F820-90K-E1-06	FR-F820-110K-E1-06			
FR-F820-0.75K-E2	FR-F820-1.5K-E2	FR-F820-2.2K-E2	FR-F820-3.7K-E2	FR-F820-5.5K-E2
FR-F820-7.5K-E2	FR-F820-11K-E2	FR-F820-15K-E2	FR-F820-18.5K-E2	FR-F820-22K-E2
FR-F820-30K-E2	FR-F820-37K-E2	FR-F820-45K-E2	FR-F820-55K-E2	FR-F820-75K-E2
FR-F820-90K-E2	FR-F820-110K-E2			
FR-F820-0.75K-E2-60	FR-F820-1.5K-E2-60	FR-F820-2.2K-E2-60	FR-F820-3.7K-E2-60	FR-F820-5.5K-E2-60
FR-F820-7.5K-E2-60	FR-F820-11K-E2-60	FR-F820-15K-E2-60	FR-F820-18.5K-E2-60	FR-F820-22K-E2-60
FR-F820-30K-E2-60	FR-F820-37K-E2-60	FR-F820-45K-E2-60	FR-F820-55K-E2-60	FR-F820-75K-E2-60
FR-F820-90K-E2-60	FR-F820-110K-E2-60			
FR-F820-0.75K-E2-06	FR-F820-1.5K-E2-06	FR-F820-2.2K-E2-06	FR-F820-3.7K-E2-06	FR-F820-5.5K-E2-06
FR-F820-7.5K-E2-06	FR-F820-11K-E2-06	FR-F820-15K-E2-06	FR-F820-18.5K-E2-06	FR-F820-22K-E2-06
FR-F820-30K-E2-06	FR-F820-37K-E2-06	FR-F820-45K-E2-06	FR-F820-55K-E2-06	FR-F820-75K-E2-06
FR-F820-90K-E2-06	FR-F820-110K-E2-06			
FR-F840-0.75K-E1	FR-F840-1.5K-E1	FR-F840-2.2K-E1	FR-F840-3.7K-E1	FR-F840-5.5K-E1
FR-F840-7.5K-E1	FR-F840-11K-E1	FR-F840-15K-E1	FR-F840-18.5K-E1	FR-F840-22K-E1
FR-F840-30K-E1	FR-F840-37K-E1	FR-F840-45K-E1	FR-F840-55K-E1	FR-F840-75K-E1
FR-F840-90K-E1	FR-F840-110K-E1	FR-F840-132K-E1	FR-F840-160K-E1	FR-F840-185K-E1
FR-F840-220K-E1	FR-F840-250K-E1	FR-F840-280K-E1	FR-F840-315K-E1	
FR-F840-0.75K-E1-60	FR-F840-1.5K-E1-60	FR-F840-2.2K-E1-60	FR-F840-3.7K-E1-60	FR-F840-5.5K-E1-60
FR-F840-7.5K-E1-60	FR-F840-11K-E1-60	FR-F840-15K-E1-60	FR-F840-18.5K-E1-60	FR-F840-22K-E1-60
FR-F840-30K-E1-60	FR-F840-37K-E1-60	FR-F840-45K-E1-60	FR-F840-55K-E1-60	FR-F840-75K-E1-60
FR-F840-90K-E1-60	FR-F840-110K-E1-60	FR-F840-132K-E1-60	FR-F840-160K-E1-60	FR-F840-185K-E1-60
FR-F840-220K-E1-60	FR-F840-250K-E1-60	FR-F840-280K-E1-60	FR-F840-315K-E1-60	
FR-F840-0.75K-E1-06	FR-F840-1.5K-E1-06	FR-F840-2.2K-E1-06	FR-F840-3.7K-E1-06	FR-F840-5.5K-E1-06
FR-F840-7.5K-E1-06	FR-F840-11K-E1-06	FR-F840-15K-E1-06	FR-F840-18.5K-E1-06	FR-F840-22K-E1-06
FR-F840-30K-E1-06	FR-F840-37K-E1-06	FR-F840-45K-E1-06	FR-F840-55K-E1-06	FR-F840-75K-E1-06
FR-F840-90K-E1-06	FR-F840-110K-E1-06	FR-F840-132K-E1-06	FR-F840-160K-E1-06	FR-F840-185K-E1-06
FR-F840-220K-E1-06	FR-F840-250K-E1-06	FR-F840-280K-E1-06	FR-F840-315K-E1-06	
FR-F840-0.75K-E2	FR-F840-1.5K-E2	FR-F840-2.2K-E2	FR-F840-3.7K-E2	FR-F840-5.5K-E2
FR-F840-7.5K-E2	FR-F840-11K-E2	FR-F840-15K-E2	FR-F840-18.5K-E2	FR-F840-22K-E2
FR-F840-30K-E2	FR-F840-37K-E2	FR-F840-45K-E2	FR-F840-55K-E2	FR-F840-75K-E2
FR-F840-90K-E2	FR-F840-110K-E2	FR-F840-132K-E2	FR-F840-160K-E2	FR-F840-185K-E2
FR-F840-220K-E2	FR-F840-250K-E2	FR-F840-280K-E2	FR-F840-315K-E2	
FR-F840-0.75K-E2-60	FR-F840-1.5K-E2-60	FR-F840-2.2K-E2-60	FR-F840-3.7K-E2-60	FR-F840-5.5K-E2-60
FR-F840-7.5K-E2-60	FR-F840-11K-E2-60	FR-F840-15K-E2-60	FR-F840-18.5K-E2-60	FR-F840-22K-E2-60
FR-F840-30K-E2-60	FR-F840-37K-E2-60	FR-F840-45K-E2-60	FR-F840-55K-E2-60	FR-F840-75K-E2-60
FR-F840-90K-E2-60	FR-F840-110K-E2-60	FR-F840-132K-E2-60	FR-F840-160K-E2-60	FR-F840-185K-E2-60



Appendix: List of type models to declare

Model Name	Model Name	Model Name	Model Name	Model Name
FR-F840-220K-E2-60	FR-F840-250K-E2-60	FR-F840-280K-E2-60	FR-F840-315K-E2-60	
FR-F840-0.75K-E2-06	FR-F840-1.5K-E2-06	FR-F840-2.2K-E2-06	FR-F840-3.7K-E2-06	FR-F840-5.5K-E2-06
FR-F840-7.5K-E2-06	FR-F840-11K-E2-06	FR-F840-15K-E2-06	FR-F840-18.5K-E2-06	FR-F840-22K-E2-06
FR-F840-30K-E2-06	FR-F840-37K-E2-06	FR-F840-45K-E2-06	FR-F840-55K-E2-06	FR-F840-75K-E2-06
FR-F840-90K-E2-06	FR-F840-110K-E2-06	FR-F840-132K-E2-06	FR-F840-160K-E2-06	FR-F840-185K-E2-06
FR-F840-220K-E2-06	FR-F840-250K-E2-06	FR-F840-280K-E2-06	FR-F840-315K-E2-06	
FR-F820-00046-E1	FR-F820-00077-E1	FR-F820-00105-E1	FR-F820-00167-E1	FR-F820-00250-E1
FR-F820-00340-E1	FR-F820-00490-E1	FR-F820-00630-E1	FR-F820-00770-E1	FR-F820-00930-E1
FR-F820-01250-E1	FR-F820-01540-E1	FR-F820-01870-E1	FR-F820-02330-E1	FR-F820-03160-E1
FR-F820-03800-E1	FR-F820-04750-E1			
FR-F820-00046-E1-60	FR-F820-00077-E1-60	FR-F820-00105-E1-60	FR-F820-00167-E1-60	FR-F820-00250-E1-60
FR-F820-00340-E1-60	FR-F820-00490-E1-60	FR-F820-00630-E1-60	FR-F820-00770-E1-60	FR-F820-00930-E1-60
FR-F820-01250-E1-60	FR-F820-01540-E1-60	FR-F820-01870-E1-60	FR-F820-02330-E1-60	FR-F820-03160-E1-60
FR-F820-03800-E1-60	FR-F820-04750-E1-60			
FR-F820-00046-E1-06	FR-F820-00077-E1-06	FR-F820-00105-E1-06	FR-F820-00167-E1-06	FR-F820-00250-E1-06
FR-F820-00340-E1-06	FR-F820-00490-E1-06	FR-F820-00630-E1-06	FR-F820-00770-E1-06	FR-F820-00930-E1-06
FR-F820-01250-E1-06	FR-F820-01540-E1-06	FR-F820-01870-E1-06	FR-F820-02330-E1-06	FR-F820-03160-E1-06
FR-F820-03800-E1-06	FR-F820-04750-E1-06			
FR-F820-00046-E1-N6	FR-F820-00077-E1-N6	FR-F820-00105-E1-N6	FR-F820-00167-E1-N6	FR-F820-00250-E1-N6
FR-F820-00340-E1-N6	FR-F820-00490-E1-N6	FR-F820-00630-E1-N6	FR-F820-00770-E1-N6	FR-F820-00930-E1-N6
FR-F820-01250-E1-N6				
FR-F820-00046-E2	FR-F820-00077-E2	FR-F820-00105-E2	FR-F820-00167-E2	FR-F820-00250-E2
FR-F820-00340-E2	FR-F820-00490-E2	FR-F820-00630-E2	FR-F820-00770-E2	FR-F820-00930-E2
FR-F820-01250-E2	FR-F820-01540-E2	FR-F820-01870-E2	FR-F820-02330-E2	FR-F820-03160-E2
FR-F820-03800-E2	FR-F820-04750-E2			
FR-F820-00046-E2-60	FR-F820-00077-E2-60	FR-F820-00105-E2-60	FR-F820-00167-E2-60	FR-F820-00250-E2-60
FR-F820-00340-E2-60	FR-F820-00490-E2-60	FR-F820-00630-E2-60	FR-F820-00770-E2-60	FR-F820-00930-E2-60
FR-F820-01250-E2-60	FR-F820-01540-E2-60	FR-F820-01870-E2-60	FR-F820-02330-E2-60	FR-F820-03160-E2-60
FR-F820-03800-E2-60	FR-F820-04750-E2-60			
FR-F820-00046-E2-06	FR-F820-00077-E2-06	FR-F820-00105-E2-06	FR-F820-00167-E2-06	FR-F820-00250-E2-06
FR-F820-00340-E2-06	FR-F820-00490-E2-06	FR-F820-00630-E2-06	FR-F820-00770-E2-06	FR-F820-00930-E2-06
FR-F820-01250-E2-06	FR-F820-01540-E2-06	FR-F820-01870-E2-06	FR-F820-02330-E2-06	FR-F820-03160-E2-06
FR-F820-03800-E2-06	FR-F820-04750-E2-06			
FR-F820-00046-E2-N6	FR-F820-00077-E2-N6	FR-F820-00105-E2-N6	FR-F820-00167-E2-N6	FR-F820-00250-E2-N6
FR-F820-00340-E2-N6	FR-F820-00490-E2-N6	FR-F820-00630-E2-N6	FR-F820-00770-E2-N6	FR-F820-00930-E2-N6
FR-F820-01250-E2-N6				
FR-F840-00023-E1	FR-F840-00038-E1	FR-F840-00052-E1	FR-F840-00083-E1	FR-F840-00126-E1
FR-F840-00170-E1	FR-F840-00250-E1	FR-F840-00310-E1	FR-F840-00380-E1	FR-F840-00470-E1
FR-F840-00620-E1	FR-F840-00770-E1	FR-F840-00930-E1	FR-F840-01160-E1	FR-F840-01800-E1
FR-F840-02160-E1	FR-F840-02600-E1	FR-F840-03250-E1	FR-F840-03610-E1	FR-F840-04320-E1



Appendix: List of type models to declare

Model Name	Model Name	Model Name	Model Name	Model Name
FR-F840-04810-E1	FR-F840-05470-E1	FR-F840-06100-E1	FR-F840-06830-E1	
FR-F840-00023-E1-60	FR-F840-00038-E1-60	FR-F840-00052-E1-60	FR-F840-00083-E1-60	FR-F840-00126-E1-60
FR-F840-00170-E1-60	FR-F840-00250-E1-60	FR-F840-00310-E1-60	FR-F840-00380-E1-60	FR-F840-00470-E1-60
FR-F840-00620-E1-60	FR-F840-00770-E1-60	FR-F840-00930-E1-60	FR-F840-01160-E1-60	FR-F840-01800-E1-60
FR-F840-02160-E1-60	FR-F840-02600-E1-60	FR-F840-03250-E1-60	FR-F840-03610-E1-60	FR-F840-04320-E1-60
FR-F840-04810-E1-60	FR-F840-05470-E1-60	FR-F840-06100-E1-60	FR-F840-06830-E1-60	
FR-F840-00023-E1-06	FR-F840-00038-E1-06	FR-F840-00052-E1-06	FR-F840-00083-E1-06	FR-F840-00126-E1-06
FR-F840-00170-E1-06	FR-F840-00250-E1-06	FR-F840-00310-E1-06	FR-F840-00380-E1-06	FR-F840-00470-E1-06
FR-F840-00620-E1-06	FR-F840-00770-E1-06	FR-F840-00930-E1-06	FR-F840-01160-E1-06	FR-F840-01800-E1-06
FR-F840-02160-E1-06	FR-F840-02600-E1-06	FR-F840-03250-E1-06	FR-F840-03610-E1-06	FR-F840-04320-E1-06
FR-F840-04810-E1-06	FR-F840-05470-E1-06	FR-F840-06100-E1-06	FR-F840-06830-E1-06	
FR-F840-00023-E1-N6	FR-F840-00038-E1-N6	FR-F840-00052-E1-N6	FR-F840-00083-E1-N6	FR-F840-00126-E1-N6
FR-F840-00170-E1-N6	FR-F840-00250-E1-N6	FR-F840-00310-E1-N6	FR-F840-00380-E1-N6	FR-F840-00470-E1-N6
FR-F840-00620-E1-N6				
FR-F840-00023-E2	FR-F840-00038-E2	FR-F840-00052-E2	FR-F840-00083-E2	FR-F840-00126-E2
FR-F840-00170-E2	FR-F840-00250-E2	FR-F840-00310-E2	FR-F840-00380-E2	FR-F840-00470-E2
FR-F840-00620-E2	FR-F840-00770-E2	FR-F840-00930-E2	FR-F840-01160-E2	FR-F840-01800-E2
FR-F840-02160-E2	FR-F840-02600-E2	FR-F840-03250-E2	FR-F840-03610-E2	FR-F840-04320-E2
FR-F840-04810-E2	FR-F840-05470-E2	FR-F840-06100-E2	FR-F840-06830-E2	
FR-F840-00023-E2-60	FR-F840-00038-E2-60	FR-F840-00052-E2-60	FR-F840-00083-E2-60	FR-F840-00126-E2-60
FR-F840-00170-E2-60	FR-F840-00250-E2-60	FR-F840-00310-E2-60	FR-F840-00380-E2-60	FR-F840-00470-E2-60
FR-F840-00620-E2-60	FR-F840-00770-E2-60	FR-F840-00930-E2-60	FR-F840-01160-E2-60	FR-F840-01800-E2-60
FR-F840-02160-E2-60	FR-F840-02600-E2-60	FR-F840-03250-E2-60	FR-F840-03610-E2-60	FR-F840-04320-E2-60
FR-F840-04810-E2-60	FR-F840-05470-E2-60	FR-F840-06100-E2-60	FR-F840-06830-E2-60	
FR-F840-00023-E2-06	FR-F840-00038-E2-06	FR-F840-00052-E2-06	FR-F840-00083-E2-06	FR-F840-00126-E2-06
FR-F840-00170-E2-06	FR-F840-00250-E2-06	FR-F840-00310-E2-06	FR-F840-00380-E2-06	FR-F840-00470-E2-06
FR-F840-00620-E2-06	FR-F840-00770-E2-06	FR-F840-00930-E2-06	FR-F840-01160-E2-06	FR-F840-01800-E2-06
FR-F840-02160-E2-06	FR-F840-02600-E2-06	FR-F840-03250-E2-06	FR-F840-03610-E2-06	FR-F840-04320-E2-06
FR-F840-04810-E2-06	FR-F840-05470-E2-06	FR-F840-06100-E2-06	FR-F840-06830-E2-06	
FR-F840-00023-E2-N6	FR-F840-00038-E2-N6	FR-F840-00052-E2-N6	FR-F840-00083-E2-N6	FR-F840-00126-E2-N6
FR-F840-00170-E2-N6	FR-F840-00250-E2-N6	FR-F840-00310-E2-N6	FR-F840-00380-E2-N6	FR-F840-00470-E2-N6
FR-F840-00620-E2-N6				
FR-F820-00046-E3-N6	FR-F820-00077-E3-N6	FR-F820-00105-E3-N6	FR-F820-00167-E3-N6	FR-F820-00250-E3-N6
FR-F820-00340-E3-N6	FR-F820-00490-E3-N6	FR-F820-00630-E3-N6	FR-F820-00770-E3-N6	FR-F820-00930-E3-N6
FR-F820-01250-E3-N6	FR-F820-01540-E3-60	FR-F820-01870-E3-60	FR-F820-02330-E3-60	FR-F820-03160-E3-60
FR-F820-90K-E1-U6	FR-F820-110K-E1-U6	FR-F820-90K-E2-U6	FR-F820-110K-E2-U6	FR-F820-90K-E3-U6
FR-F820-110K-E3-U6	FR-F820-03800-E1-U6	FR-F820-04750-E1-U6	FR-F820-03800-E2-U6	FR-F820-04750-E2-U6
FR-F820-03800-E3-U6	FR-F820-04750-E3-U6			
FR-F840-00023-E3-N6	FR-F840-00038-E3-N6	FR-F840-00052-E3-N6	FR-F840-00083-E3-N6	FR-F840-00126-E3-N6
FR-F840-00170-E3-N6	FR-F840-00250-E3-N6	FR-F840-00310-E3-N6	FR-F840-00380-E3-N6	FR-F840-00470-E3-N6

BCN-A21160-095-D



Appendix: List of type models to declare

Model Name	Model Name	Model Name	Model Name	Model Name
FR-F840-00620-E3-N6	FR-F840-00770-E3-60	FR-F840-00930-E3-60	FR-F840-01160-E3-60	FR-F840-01800-E3-60
FR-F840-90K-E1-U6	FR-F840-110K-E1-U6	FR-F840-132K-E1-U6	FR-F840-160K-E1-U6	FR-F840-185K-E1-U6
FR-F840-220K-E1-U6	FR-F840-250K-E1-U6	FR-F840-280K-E1-U6	FR-F840-315K-E1-U6	
FR-F840-90K-E2-U6	FR-F840-110K-E2-U6	FR-F840-132K-E2-U6	FR-F840-160K-E2-U6	FR-F840-185K-E2-U6
FR-F840-220K-E2-U6	FR-F840-250K-E2-U6	FR-F840-280K-E2-U6	FR-F840-315K-E2-U6	
FR-F840-90K-E3-U6	FR-F840-110K-E3-U6	FR-F840-132K-E3-U6	FR-F840-160K-E3-U6	FR-F840-185K-E3-U6
FR-F840-220K-E3-U6	FR-F840-250K-E3-U6	FR-F840-280K-E3-U6	FR-F840-315K-E3-U6	
FR-F840-02160-E1-U6	FR-F840-02600-E1-U6	FR-F840-03250-E1-U6	FR-F840-03610-E1-U6	FR-F840-04320-E1-U6
FR-F840-04810-E1-U6	FR-F840-05470-E1-U6	FR-F840-06100-E1-U6	FR-F840-06830-E1-U6	
FR-F840-02160-E2-U6	FR-F840-02600-E2-U6	FR-F840-03250-E2-U6	FR-F840-03610-E2-U6	FR-F840-04320-E2-U6
FR-F840-04810-E2-U6	FR-F840-05470-E2-U6	FR-F840-06100-E2-U6	FR-F840-06830-E2-U6	
FR-F840-02160-E3-U6	FR-F840-02600-E3-U6	FR-F840-03250-E3-U6	FR-F840-03610-E3-U6	FR-F840-04320-E3-U6
FR-F840-04810-E3-U6	FR-F840-05470-E3-U6	FR-F840-06100-E3-U6	FR-F840-06830-E3-U6	
FR-F820-0.75K-E1-N6	FR-F820-1.5K-E1-N6	FR-F820-2.2K-E1-N6	FR-F820-3.7K-E1-N6	FR-F820-5.5K-E1-N6
FR-F820-7.5K-E1-N6	FR-F820-11K-E1-N6	FR-F820-15K-E1-N6	FR-F820-18.5K-E1-N6	FR-F820-22K-E1-N6
FR-F820-30K-E1-N6				
FR-F820-0.75K-E2-N6	FR-F820-1.5K-E2-N6	FR-F820-2.2K-E2-N6	FR-F820-3.7K-E2-N6	FR-F820-5.5K-E2-N6
FR-F820-7.5K-E2-N6	FR-F820-11K-E2-N6	FR-F820-15K-E2-N6	FR-F820-18.5K-E2-N6	FR-F820-22K-E2-N6
FR-F820-30K-E2-N6				
FR-F840-0.75K-E1-N6	FR-F840-1.5K-E1-N6	FR-F840-2.2K-E1-N6	FR-F840-3.7K-E1-N6	FR-F840-5.5K-E1-N6
FR-F840-7.5K-E1-N6	FR-F840-11K-E1-N6	FR-F840-15K-E1-N6	FR-F840-18.5K-E1-N6	FR-F840-22K-E1-N6
FR-F840-30K-E1-N6				
FR-F840-0.75K-E2-N6	FR-F840-1.5K-E2-N6	FR-F840-2.2K-E2-N6	FR-F840-3.7K-E2-N6	FR-F840-5.5K-E2-N6
FR-F840-7.5K-E2-N6	FR-F840-11K-E2-N6	FR-F840-15K-E2-N6	FR-F840-18.5K-E2-N6	FR-F840-22K-E2-N6
FR-F840-30K-E2-N6				
FR-F820-01540-E3-06	FR-F820-01870-E3-06	FR-F820-02330-E3-06	FR-F820-03160-E3-06	
FR-F840-00770-E3-06	FR-F840-00930-E3-06	FR-F840-01160-E3-06	FR-F840-01800-E3-06	
FR-F842-355K-E1	FR-F842-400K-E1	FR-F842-450K-E1	FR-F842-500K-E1	FR-F842-560K-E1
FR-F842-355K-E1-60	FR-F842-400K-E1-60	FR-F842-450K-E1-60	FR-F842-500K-E1-60	FR-F842-560K-E1-60
FR-F842-355K-E1-06	FR-F842-400K-E1-06	FR-F842-450K-E1-06	FR-F842-500K-E1-06	FR-F842-560K-E1-06
FR-F842-355K-E2	FR-F842-400K-E2	FR-F842-450K-E2	FR-F842-500K-E2	FR-F842-560K-E2
FR-F842-355K-E2-60	FR-F842-400K-E2-60	FR-F842-450K-E2-60	FR-F842-500K-E2-60	FR-F842-560K-E2-60
FR-F842-355K-E2-06	FR-F842-400K-E2-06	FR-F842-450K-E2-06	FR-F842-500K-E2-06	FR-F842-560K-E2-06
FR-F842-07700-E1	FR-F842-08660-E1	FR-F842-09620-E1	FR-F842-10940-E1	FR-F842-12120-E1
FR-F842-07700-E1-60	FR-F842-08660-E1-60	FR-F842-09620-E1-60	FR-F842-10940-E1-60	FR-F842-12120-E1-60
FR-F842-07700-E1-06	FR-F842-08660-E1-06	FR-F842-09620-E1-06	FR-F842-10940-E1-06	FR-F842-12120-E1-06
FR-F842-07700-E2	FR-F842-08660-E2	FR-F842-09620-E2	FR-F842-10940-E2	FR-F842-12120-E2
FR-F842-07700-E2-60	FR-F842-08660-E2-60	FR-F842-09620-E2-60	FR-F842-10940-E2-60	FR-F842-12120-E2-60
FR-F842-07700-E2-06	FR-F842-08660-E2-06	FR-F842-09620-E2-06	FR-F842-10940-E2-06	FR-F842-12120-E2-06
FR-F842-355K-E1-U6	FR-F842-400K-E1-U6	FR-F842-450K-E1-U6	FR-F842-500K-E1-U6	FR-F842-560K-E1-U6

BCN-A21160-095-D



Appendix: List of type models to declare

Model Name	Model Name	Model Name	Model Name	Model Name
FR-F842-355K-E2-U6	FR-F842-400K-E2-U6	FR-F842-450K-E2-U6	FR-F842-500K-E2-U6	FR-F842-560K-E2-U6
FR-F842-355K-E3-U6	FR-F842-400K-E3-U6	FR-F842-450K-E3-U6	FR-F842-500K-E3-U6	FR-F842-560K-E3-U6
FR-F842-07700-E1-U6	FR-F842-08660-E1-U6	FR-F842-09620-E1-U6	FR-F842-10940-E1-U6	FR-F842-12120-E1-U6
FR-F842-07700-E2-U6	FR-F842-08660-E2-U6	FR-F842-09620-E2-U6	FR-F842-10940-E2-U6	FR-F842-12120-E2-U6
FR-F842-07700-3-U6	FR-F842-08660-3-U6	FR-F842-09620-3-U6	FR-F842-10940-3-U6	FR-F842-12120-3-U6
FR-AF820-01540-60	FR-AF820-01870-60	FR-AF820-02330-60	FR-AF820-03160-60	
FR-AF820-03800-U6	FR-AF820-04750-U6			
FR-AF840-00770-60	FR-AF840-00930-60	FR-AF840-01160-60	FR-AF840-01800-60	FR-AF840-02160-60
FR-AF840-02600-60	FR-AF840-03250-60	FR-AF840-03610-60	FR-AF840-04320-60	FR-AF840-04810-60
FR-AF840-05470-60	FR-AF840-06100-60	FR-AF840-06830-60		
FR-AF840-02160-U6	FR-AF840-02600-U6	FR-AF840-03250-U6	FR-AF840-03610-U6	FR-AF840-04320-U6
FR-AF840-04810-U6	FR-AF840-05470-U6	FR-AF840-06100-U6	FR-AF840-06830-U6	
FR-AF842-07700-60	FR-AF842-08660-60	FR-AF842-09620-60	FR-AF842-10940-60	FR-AF842-12120-60
FR-AF842-07700-U6	FR-AF842-08660-U6	FR-AF842-09620-U6	FR-AF842-10940-U6	FR-AF842-12120-U6

Revision History

Date	Revision	Contents
12-01-2016	*	First edition
10-03-2016	A	Add new models. Change the address of Authorized representative in Europe. Previous address: Gothaer Str. 8, 40800 Ratingen, Germany Correct harmonized standard from IEC 61508: 2010 to EN62061:2005+AC:2010+A1:2013.
20-04-2016	B	Change directives: Previous Low Voltage Directive : 2006/95/EC Previous EMC Directive: 2004/108/EC
13-10-2016	C	Add new models.
21-11-2016	D	Change harmonized standard Previous harmonized standard for Machinery Directive : EN ISO 13849-1:2008

HEADQUARTERS		EUROPEAN REPRESENTATIVES		EUROPEAN REPRESENTATIVES		EURASIAN REPRESENTATIVES	
Mitsubishi Electric Europe B.V. Mitsubishi-Electric-Platz 1 D-40882 Ratingen Phone: +49 (0)2102 / 486-0 Fax: +49 (0)2102 / 486-1120	EUROPE	GEVA Wiener Straße 89 A-2500 Baden Phone: +43 (0)2252 / 85 55 20 Fax: +43 (0)2252 / 488 60	AUSTRIA	INTEHSIS SRL bld. Traian 23/1 MD-2060 Kishinev Phone: +373 (0)22 / 66 4242 Fax: +373 (0)22 / 66 4280	MOLDOVA	TOO Kazpromavtomatika UL. ZHAMBYLA 28, KAZ-100017 Karaganda Phone: +7 7212 / 50 10 00 Fax: +7 7212 / 50 11 50	KAZAKHSTAN
Mitsubishi Electric Europe B.V. Pekařská 621/7 CZ-155 00 Praha 5 Phone: +420 255 719 200 Fax: +420 251 551 471	CZECH REP.	000 TECHNIKON Prospect Nezavisimosti 177-9 BY-220125 Minsk Phone: +375 (0)17 / 393 1177 Fax: +375 (0)17 / 393 0081	BELARUS	Fonseca S.A. R. João Francisco do Casal 87/89 PT-3801-997 Aveiro, Esqueiro Phone: +351 (0)234 / 303 900 Fax: +351 (0)234 / 303 910	PORTUGAL	MIDDLE EAST REPRESENTATIVE	
Mitsubishi Electric Europe B.V. 25, Boulevard des Bouvets F-92741 Nanterre Cedex Phone: +33 (0)1 / 55 68 55 68 Fax: +33 (0)1 / 55 68 57 57	FRANCE	INEA RBT d.o.o. Stegne 11 SI-1000 Ljubljana Phone: +386 (0)1 / 513 8116 Fax: +386 (0)1 / 513 8170	BOSNIA AND HERZEGOVINA	SIRIUS TRADING & SERVICES SRL Aleea Lacul Morii Nr. 3 RO-060841 Bucuresti, Sector 6 Phone: +40 (0)21 / 430 40 06 Fax: +40 (0)21 / 430 40 02	ROMANIA	ISRAEL	
Mitsubishi Electric Europe B.V. Westgate Business Park, Ballymount IRL-Dublin 24 Phone: +353 (0)1 4198800 Fax: +353 (0)1 4198890	IRELAND	AKHNATON 4, Andrei Ljapchev Blvd., PO Box 21 BG-1756 Sofia Phone: +359 (0)2 / 817 6000 Fax: +359 (0)2 / 97 44 06 1	BULGARIA	INEA SR d.o.o. Ul. Karadjordjeva 12/217 SER-11300 Smederevo Phone: +386 (026) 461 54 01	SERBIA	LEBANON	
Mitsubishi Electric Europe B.V. Viale Colleoni 7 Palazzo Sirio I-20864 Agrate Brianza (MB) Phone: +39 039 / 60 53 1 Fax: +39 039 / 60 53 312	ITALY	INEA CR Losinjka 4 a HR-10000 Zagreb Phone: +385 (0)1 / 36 940 - 01 / -02 / -03 Fax: +385 (0)1 / 36 940 - 03	CROATIA	SIMAP SK (Západné Slovensko) Dolné Pažite 603/97 SK-911 06 Trenčín Phone: +421 (0)32 743 04 72 Fax: +421 (0)32 743 75 20	SLOVAKIA	Cebaco Center/Block A Autostrade DORA Lebanon-Beirut Phone: +961 (0)1 / 240 445 Fax: +961 (0)1 / 240 193	
Mitsubishi Electric Europe B.V. Nijverheidsweg 23C NL-3641RP Mijdrecht Phone: +31 (0) 297 250 350	NETHERLANDS	AutoCont C. S. S.R.O. Kafkova 1853/3 CZ-702 00 Ostrava 2 Phone: +420 595 691 150 Fax: +420 595 691 199	CZECH REPUBLIC	INEA RBT d.o.o. Stegne 11 SI-1000 Ljubljana Phone: +386 (0)1 / 513 8116 Fax: +386 (0)1 / 513 8170	SLOVENIA	AFRICAN REPRESENTATIVE	
Mitsubishi Electric Europe B.V. ul. Krakowska 50 PL-32-083 Balice Phone: +48 (0) 12 347 65 00 Fax: +48 (0) 12 630 47 01	POLAND	HANS FØLSGAARD A/S Theilgaardstr Torv 1 DK-4600 Køge Phone: +45 4320 8600 Fax: +45 4396 8855	DENMARK	OMNI RAY AG Im Schörl 5 CH-8600 Dübendorf Phone: +41 (0)44 / 802 28 80 Fax: +41 (0)44 / 802 28 28	SWITZERLAND	ADROIT TECHNOLOGIES SOUTH AFRICA 20 Waterford Office Park 189 Witkoppen Road ZA-Fourways Phone: + 27 (0)11 / 658 8100 Fax: + 27 (0)11 / 658 8101	
Mitsubishi Electric (Russia) LLC 52, bld. 1 Kosmodamianskaya emb. RU-115054 Moscow Phone: +7 495 / 721 2070 Fax: +7 495 / 721 2071	RUSSIA	Electrobit OÜ Pärnu mnt. 160i EST-11317, Tallinn Phone: +372 6518 140	ESTONIA	CSC- AUTOMATION Ltd. 4 B, Yevhena Sverstyuka Str. UA-02002 Kiev Phone: +380 (0)44 / 494 33 44 Fax: +380 (0)44 / 494-33-66	UKRAINE		
Mitsubishi Electric Europe B.V. Carretera de Rubi 76-80 Apdo. 420 E-08190 Sant Cugat del Vallés (Barcelona) Phone: +34 (0) 93 / 5653131 Fax: +34 (0) 93 / 5891579	SPAIN	UTU Automation Oy Peltotie 37i FIN-28400 Ulvila Phone: +358 (0)207 / 463 500 Fax: +358 207 / 463 501	FINLAND				
Mitsubishi Electric Europe B.V. (Scandinavia) Hedvig Möllers gata 6, SE- 223 55 Lund Phone: +46 (0) 8 625 10 00	SWEDEN	UTECO A.B.E.E. 5, Mavrogenous Str. GR-18542 Piraeus Phone: +30 (0)211 / 1206-900 Fax: +30 (0)211 / 1206-999	GREECE				
Mitsubishi Electric Turkey Elektrik Ürünleri A.Ş. Fabrika Otomasyonu Merkezi Serifali Mahallesi Nutuk Sokak No.5 TR-34775 Ümraniye-İSTANBUL Phone: +90 (216) 969 25 00 Fax: +90 (216) / 526 39 95	TURKEY	MELTRADE Kft. Fertő utca 14. HU-1107 Budapest Phone: +36 (0)1 / 431-9726 Fax: +36 (0)1 / 431-9727	HUNGARY				
Mitsubishi Electric Europe B.V. Travellers Lane UK-Hatfield, Herts. AL10 8XB Phone: +44 (0)1707 / 28 87 80 Fax: +44 (0)1707 / 27 86 95	UK	OAK Integrator Products SIA Ritausmas iela 23 LV-1058 Riga Phone: +371 67842280	LATVIA				
Mitsubishi Electric Europe B.V. Dubai Silicon Oasis United Arab Emirates - Dubai Phone: +971 4 3724716 Fax: +971 4 3724721	UAE	Automatikos Centras, UAB Neries krantinė 14A-101 LT-48397 Kaunas Phone: +370 37 262707 Fax: +370 37 455605	LITHUANIA				
Mitsubishi Electric Corporation Tokyo Building 2-7-3 Marunouchi, Chiyoda-ku Tokyo 100-8310 Phone: +81 (3) 3218-2111 Fax: +81 (3) 3218-2185	JAPAN	ALFATRADE Ltd. 99, Paola Hill Malta-Paola PLA 1702 Phone: +356 (0)21 / 697 816 Fax: +356 (0)21 / 697 817	MALTA				
Mitsubishi Electric Automation, Inc. 500 Corporate Woods Parkway Vernon Hills, IL 60061 Phone: +1 (847) 478-2100 Fax: +1 (847) 478-0328	USA						